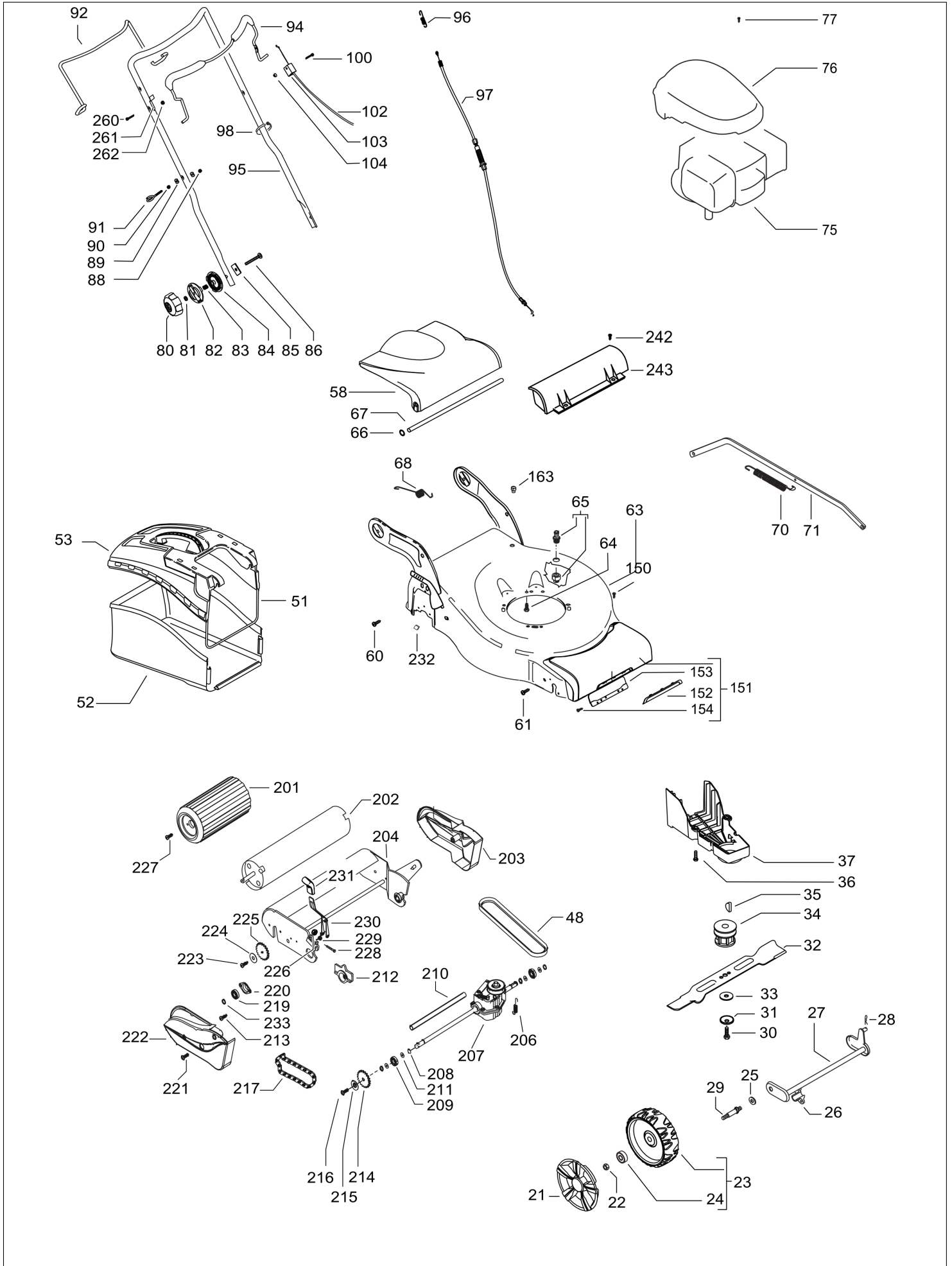


PNC	ML	Model	Brand
967173601	03	M46-140R rear roller	McCulloch

Number of Pages 1 of 3

Factory:	IIQ - Valmadrera	Product Group:	OP 93
Publication Number:	MIPL2013_V020000004	Petrol Portable	
Publication Date:	08/01/13	Sub Group	1071

HUSQVARNA ITALIA SPA



HUSQVARNA ITALIA SPA

Item	PN	Description	Qty	Item	PN	Description	Qty
21	574 39 63-01	wheel cover Ø170	2	95	580 41 23-02	handle	1
22	504 85 78-01	nut M8, self locking, flanged	2	96	580 76 19-01	spring, clutch	1
23	574 45 08-01	wheel assy Ø170	2	97	581 83 81-01	clutch cable	1
24	531 20 87-78	ball bearing	4	98	531 20 55-81	zip tie	2
25	505 22 74-01	washer	2	100	580 83 36-01	screw	1
26	577 38 42-01	front axle housing	2	102	580 85 34-01	brake cable	1
27	531 21 25-87	front axle	1	103	531 20 80-43	cable support	1
28	531 20 66-53	cotter pin	2	104	581 55 12-01	nut	1
29	510 07 12-01	wheel shaft	2	150	576 04 74-01	screw	2
30	531 20 80-08	screw, 3/8"	1	151	575 56 21-04	front cover	1
31	531 20 72-37	spring washer	1	152	574 37 52-01	front cover plate	1
32	531 21 10-17	blade	1	153	574 72 17-01	back plate	1
33	531 20 72-43	washer	1	154	575 95 57-01	screw	2
34	581 84 30-01	blade support	1	163	531 20 55-57	cable holder	1
35	505 29 09-01	key	1	201	531 21 34-79	roller sheating	2
36	531 20 78-56	screw 5x10	3	202	531 21 34-70	roller	1
37	544 46 22-01	belt cover	1	203	531 21 32-42	roller support cover, left	1
48	501 38 19-01	belt Z27 10X692	1	204	531 21 34-71	roller support	1
51	531 21 35-14	sack frame	1	206	531 20 52-16	gearbox spring	1
52	580 87 81-01	sack	1	207	531 21 32-35	gearbox	1
53	531 20 82-96	hard top	1	208	531 20 87-72	seeger	4
58	576 93 73-03	safety flap	1	209	531 20 87-78	ball bearing	2
60	531 20 73-85	screw M5	4	210	531 20 76-97	spacer tube	1
61	525 43 31-01	screw 4x16, self threading	4	211	531 20 88-59	washer	4
63	581 76 25-02	deck	1	212	531 21 36-10	roller axle support	2
64	531 21 28-51	screw 3/8" + split washer	3	213	531 21 32-51	screw 6x16	4
65	531 20 58-48	snap on connector 1/2"	1	214	531 21 32-52	gear Z8	1
66	531 20 76-57	starlock	2	215	531 20 77-86	washer	1
67	531 21 14-41	safety flap bar	1	216	531 21 32-56	screw	1
68	531 21 18-40	spring	1	217	531 21 32-53	chain	1
70	579 24 53-02	wheel regulation spring	1	219	531 20 87-78	ball bearing	2
71	531 21 32-46	wheel regulation bar	1	220	531 21 36-06	ball bearing support	2
75	———	engine, Briggs & Stratton, model number 09P6020029H1	1	221	531 20 78-56	screw M5	2
76	580 44 56-01	engine shroud	1	222	531 21 32-43	roller support cover, right	1
77	532 18 16-98	engine shroud screw	3	223	531 21 32-56	screw	1
80	580 42 43-01	knob	2	224	531 20 77-86	washer	1
81	531 20 49-22	washer	2	225	531 21 32-50	gear Z21	1
82	531 21 14-74	locking disc, outer	2	226	531 20 84-92	nut	1
83	531 21 14-76	spring	2	227	531 20 78-56	screw 5x10	6
84	531 21 14-73	locking disc, inner	2	228	531 20 63-46	scre 5x40	1
85	531 21 15-81	plate	2	229	531 21 08-22	spring	1
86	581 25 95-01	screw M8x55	2	230	581 79 43-01	roller lever complete	1
88	531 20 84-91	nut M6 self	1	231	580 46 24-01	handle, wheel regulator	1
89	531 20 49-61	washer	2	232	531 21 34-31	cap	1
90	531 20 71-65	nut M6	1	233	531 20 87-72	seeger	1
91	531 20 51-69	starter cable guide	1	242	576 04 74-01	screw M5x16	2
92	580 65 43-01	clutch lever	1	243	579 30 09-01	grass seal	1
94	580 84 91-04	brake lever	1	260	580 83 36-02	screw	1
				261	532 43 00-34	brake lever support	1
				262	581 55 12-01	nut	1