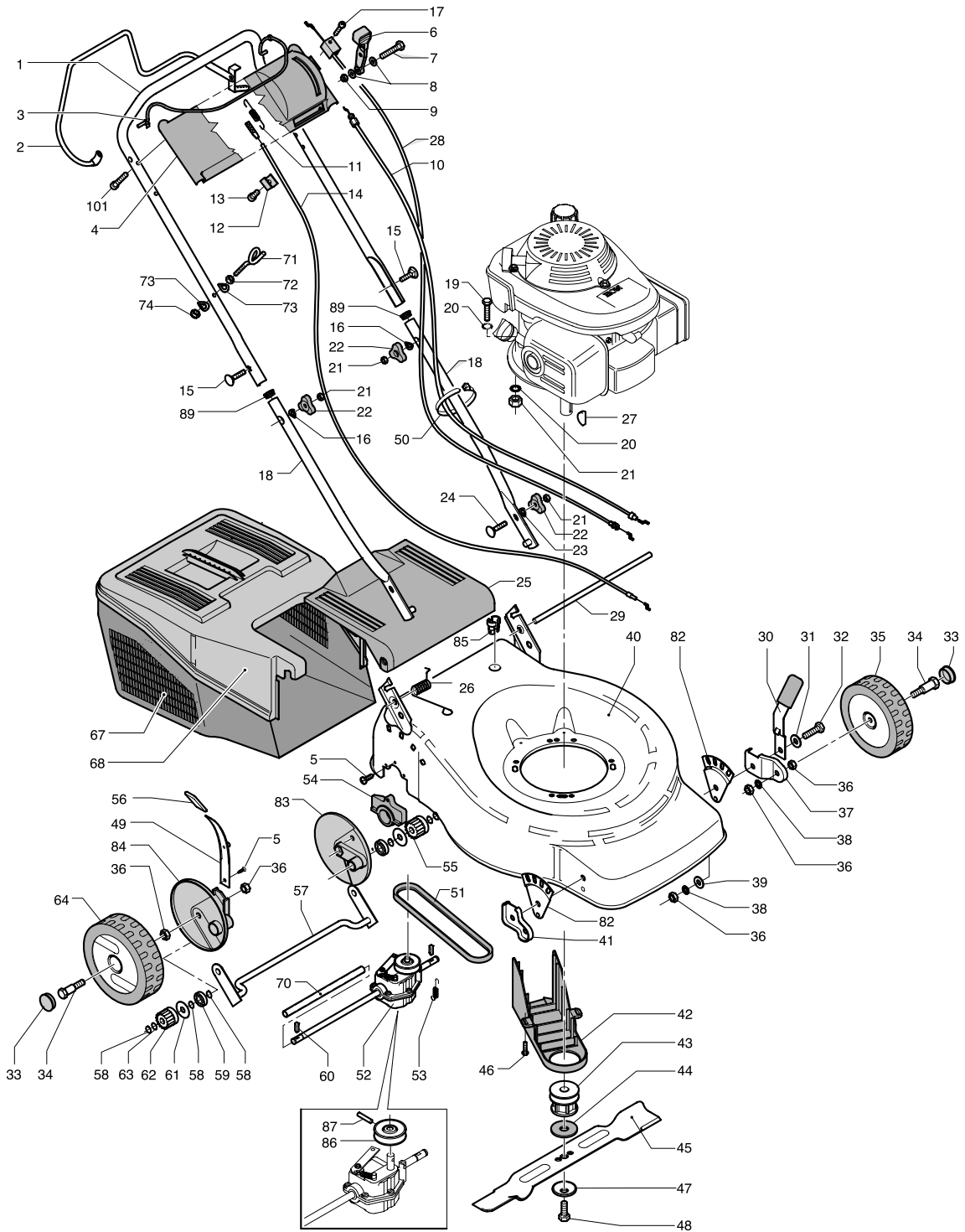


PNC	Type/Prefix/nd	Model	Brand
953878190		M 4546SD	McCulloch

Number of Pages 1 of 3

Factory: ILY - Parabiago		Product Group: ON 107
Publication Number:	EIPL2005_PP0501008	Petrol Wheeled
Publication Date:	28/01/05	Sub Group: 1073



Pos.	PN ELX	MEP P/n°	DESCRIPTION	Q.ty	Pos.	PN ELX	MEP P/n°	DESCRIPTION	Q.ty
1	531205112	10121203	UPPER HANDLE	1	41	531204915	10107302	SUPPORT	1
2	531205208	10121823	CLUTCH HANDLE	1	42	531205047	10120183	BELT HOUSING	1
3	531205168	10121463	BRAKE HANDLE	1	43	531205048	10120200	BLADE ADAPTER	1
4	531205132	10121251	DASH-BOARD	1	44	531207243	10531700	WASHER	1
5	531208216	20135720	SCREW	2	45	531211017	10172770	BLADE	1
6	531205139	10121263	LEVER	1	46	531207856	10831800	SCREW	3
7	531207836	10830000	SCREW	1	47	531207237	10530900	WASHER	1
8	531206666	10284700	WASHER	2	48	531208008	20120580	SCREW	1
9	531208492	20282100	NUT	1	49	531212580	1012197ZC	LEVER	1
10	531206033	10146730	ACCELERATOR	1	50	531205581	10135600	CLAMP	2
11	531205215	10121910	SPRING	1	51	531207280	10548500	BELT	1
12	531207923	10876103	SUPPORT	1	52	531213047	9173720	GEAR-BOX	1
13	531207931	10878000	SCREW	1	53	531205216	10121920	SPRING	1
14	531206000	10146340	CABLE	1	54	531205944	10146093	SUPPORT	2
15	531207089	10402401	SCREW	2	55	531205046	10120170	PINION	1
16	531207090	10402402	WASHER	2	56	531207986	20107203	SHEATING	1
17	531208217	20135730	SCREW	1	57	531212579	1012184ZC	AXLE	1
18	531206071	10150133	HANDLE LOWER	2	58	531208772	20655800	SEEGER	6
19	531205196	10121700	SCREW	2	59	531208778	20657600	BALL-BEARING	2
	531206681	10291000	SCREW	1	60	531205108	10121160	KEY	2
20	531207981	20106200	WASHER	6	61	531207847	10831200	WASHER	2
21	531207982	20106300	NUT	7	62	531205045	10120160	PINION	1
22	531204923	10114303	KNOP	4	63	531208859	20761300	WASHER	2
23	531204922	10114200	WASHER	2	64	531210535	10120051	WHEEL	2
24	531204921	10114100	SCREW	2	67	531208313	20146593	GRASS CATC.BOTTOM	1
25	531205982	10146211	DEFLECTOR	1	68	531208296	20146113	GRASS CATC.UPPER	1
26	531205999	10146330	SPRING	1	70	531207697	10766503	SPACER TUBE	1
27	531204907	10100900	KEY	1	71	531205169	10121470	CABLE HOOK	1
28	531205191	10121610	CABLE	1	72	531207165	10501200	NUT	1
29	531205060	10120530	TIE ROD	1	73	531204961	10115900	WASHER	2
30	531204913	10107203	LEVER	2	74	531208491	20281800	NUT	1
31	531206020	10146530	WASHER	2	78	531206031	10146690	HOUSING	1
32	531204912	10107100	SCREW	2	82	531212987	1014689ZC	SUPPORT	2
33	531210538	10114801	PLUG	4	83	531205195	10121673	FLANGE	1
34	531205042	10120090	SCREW	4	84	531205194	10121663	FLANGE	1
35	531205029	10120071	WHEEL	2	85	531205557	10135413	CABLE LOCK	2
36	531207978	20101700	NUT	10	86	531208899	20768203	PULLEY	1
37	531204914	10107301	SUPPORT	1	87	531207703	10768400	RESILIENT PIN	1
38	531208974	30102100	WASHER	4	89	531208950	20833303	PLUG	2
39	531207989	20113000	WASHER	2	94	531206510	10172570	CABLE	1
40	531210718	10172671	DECK	1	101	531208844	20734900	SCREW	4