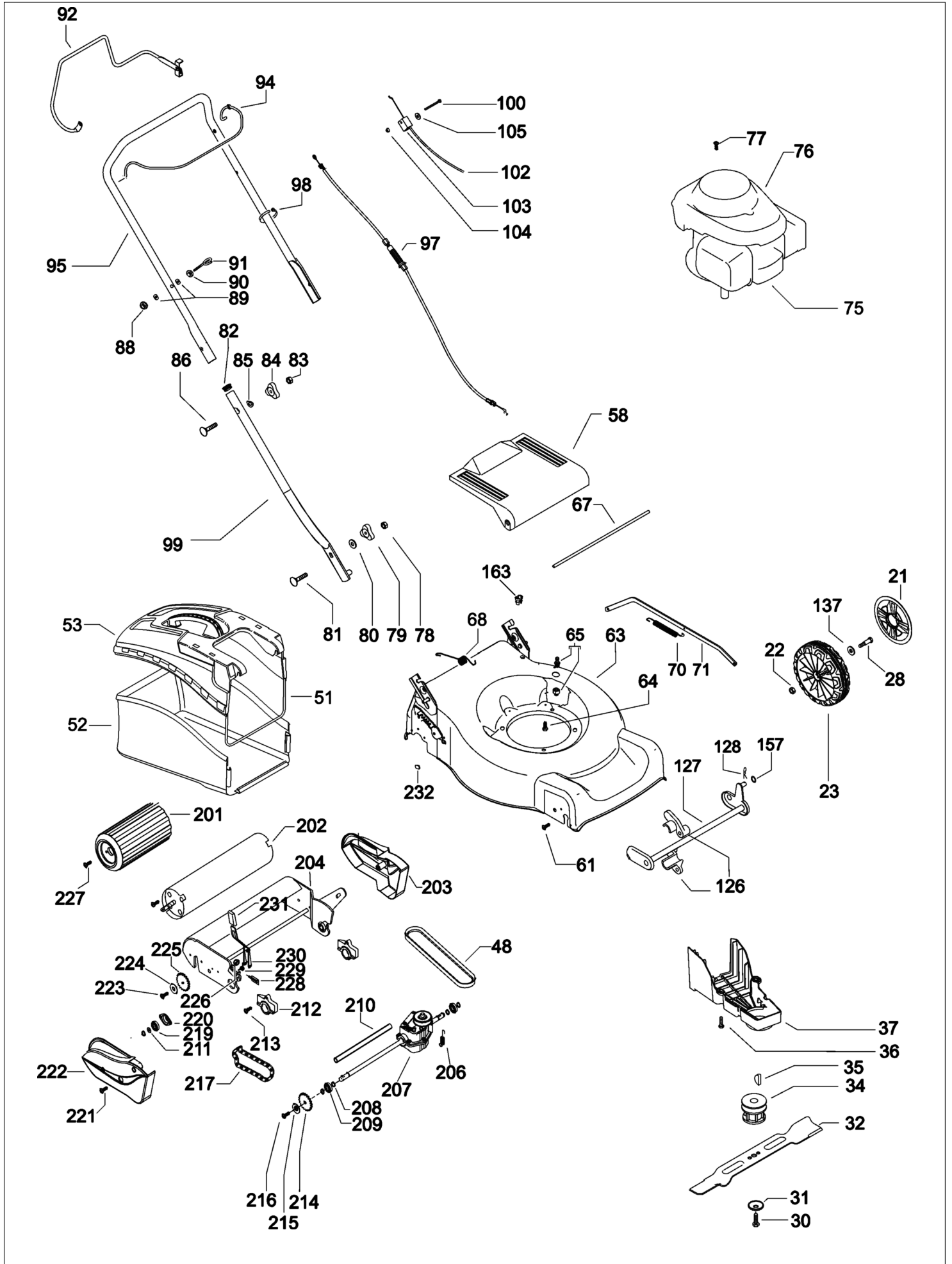


PNC	ML	Model	Brand
966855001	00	M 46-500 CD Roller	McCulloch
966855001	01	M 46-500 CD Roller	McCulloch

Number of Pages 1 of 3

<p>Factory: IIQ - Valmadrera</p>	<p>Product Group: OP 93</p>
<p>Publication Number: MIPL2008_V240000014</p>	<p>Petrol Portable</p>
<p>Publication Date: 12/06/08</p>	<p>Sub Group 1071</p>

HUSQVARNA OUTDOOR PRODUCTS ITALIA SPA



HUSQVARNA OUTDOOR PRODUCTS ITALIA SPA

Item	PN	Description	Qty	Item	PN	Description	Qty
21	504 54 17-04	wheel cover Ø170	2	98	531 20 55-81	binder	2
22	531 20 79-78	nut M10	2	99	504 70 81-01	handle, lower half	2
23	505 43 57-01	wheel assy Ø170	2	100	531 20 63-46	screw M5x40	1
28	544 45 34-01	screw	2	102	531 21 34-34	brake cable	1
30	531 20 80-08	screw, 3/8"	1	103	531 20 80-43	cable support	1
31	531 20 72-37	spring washer	1	104	531 20 52-13	nut M5	1
32	531 21 10-17	mulching blade	1	105	531 20 66-66	washer	1
34	531 20 61-69	blade support	1	126	531 20 50-57	front axle support	4
35	505 29 09-01	key	1	127	531 21 25-87	front axle	1
36	531 20 78-56	screw 5x10	3	128	531 20 66-53	cotter pin	2
37	544 46 22-01	belt cover	1	137	531 20 66-44	washer	2
48	501 38 19-01	belt Z27 10X692	1	157	531 20 49-06	washer	1
51	531 21 35-14	sack frame	1	163	531 20 55-57	cable lock	1
52	531 21 32-36	sack	1	201	531 21 34-79	roller sheating	2
53	531 20 82-96	sack cover	1	202	531 21 34-70	roller	1
58	531 21 26-46	safety flap	1	203	531 21 32-42	roller support cover, left	1
61	531 20 88-44	screw 4.3x16, self threading	4	204	531 21 34-71	roller support	1
63	101 86 14-43	deck	1	206	531 20 52-16	gearbox spring	1
64	531 21 28-51	screw 3/8" + split washer	3	207	531 21 32-35	gearbox	1
65	531 20 58-48	snap on connector 1/2"	1	208	531 20 87-72	seeger	5
67	531 20 50-60	safety flap bar	1	209	531 20 87-78	ballbearing	2
68	531 20 59-99	spring	1	210	531 20 76-97	spacer tube	1
70	531 20 50-56	wheel regulation spring	1	211	531 20 77-86	washer	2
71	531 21 32-46	wheel regulation bar	1	212	531 21 36-10	roller axle support	2
75	———	engine, Briggs & Stratton, model number 10T5020188	1	213	531 21 32-51	screw	4
76	531 21 24-06	cover, engine	1	214	531 21 32-52	gear Z8	1
77	531 21 27-10	screw, cover engine	2	215	531 20 77-86	washer	1
78	531 20 79-82	nut M8	2	216	531 21 32-56	screw	1
79	531 20 49-23	knob	2	217	531 21 32-53	chain	1
80	531 20 49-22	washer	2	219	531 20 87-78	ballbearing	2
81	531 20 49-21	screw M8x25	2	220	531 21 36-06	ball bearing support	2
82	531 20 89-50	cap	2	221	531 20 66-77	screw	2
83	531 20 79-82	nut M8	2	222	531 21 32-43	roller support cover, right	1
84	531 20 49-23	knob	2	223	531 21 32-56	screw	1
85	531 20 70-90	washer	2	224	531 20 77-86	washer	1
86	531 20 70-89	screw M8x50	2	225	531 21 32-50	gear Z21	1
88	531 20 84-91	nut M6 self locking	1	226	531 20 84-93	nut	1
89	531 20 49-61	washer	2	227	531 20 78-56	screw 5x10	6
90	531 20 71-65	nut M6	1	228	531 20 63-46	screw 5x40	1
91	531 20 51-69	starter cable guide	1	229	531 21 08-22	spring	1
92	531 20 52-08	clutch lever	1	230	531 21 34-77	roller levere complete	1
94	531 21 14-29	brake lever	1	231	531 20 79-86	sheating	1
95	531 20 52-04	handle, upper half	1	232	531 21 34-31	cap	1
97	531 20 61-91	clutch cable	1				