

PNC

966524201

ML

00

Model

M 46-500 CDA

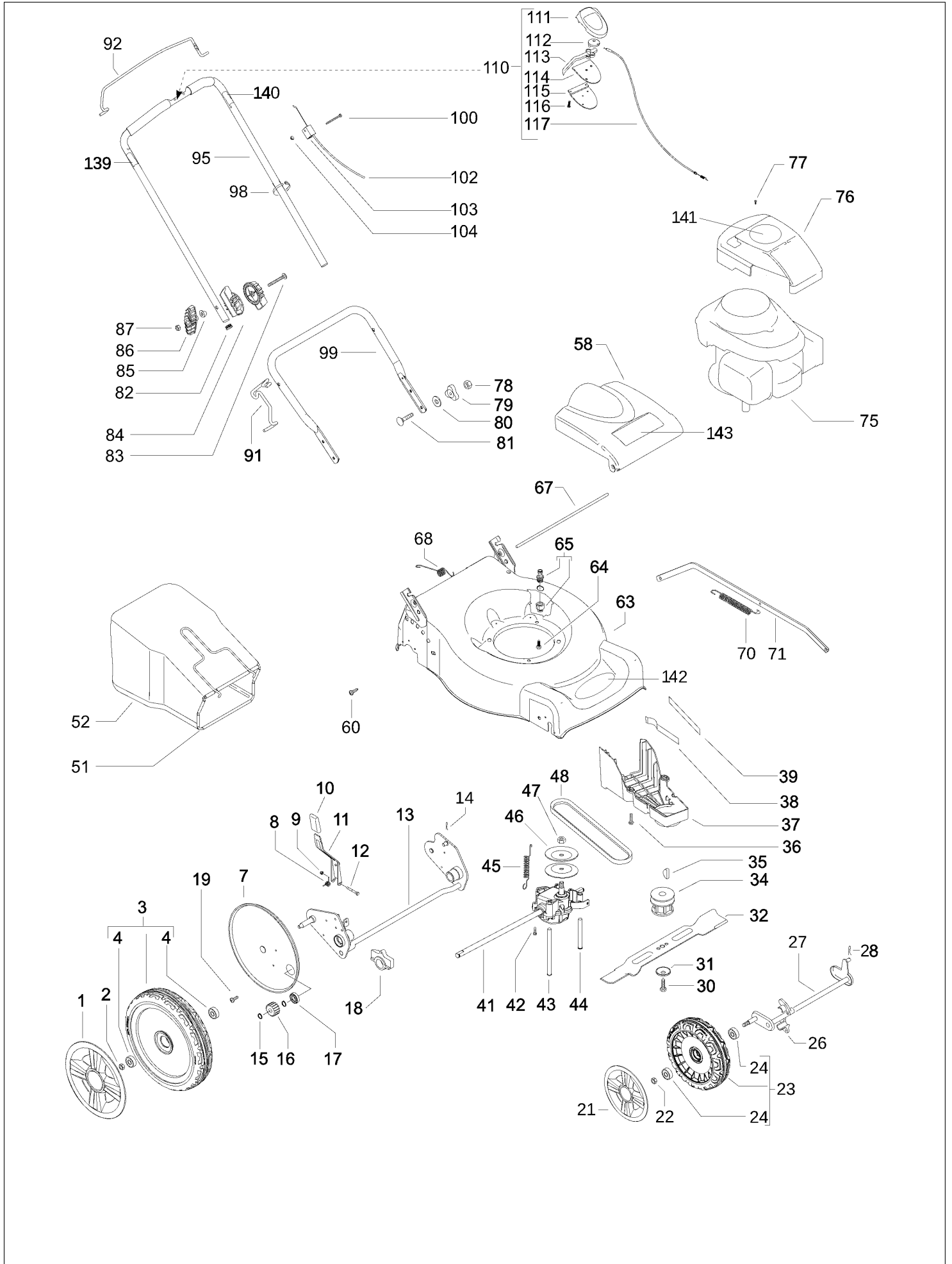
Brand

McCulloch

Number of Pages 1 of 3

Factory:	IIQ - Valmadrera	Product Group:	OP 93
Publication Number:	MIPL2010_V070000023	Petrol Portable	
Publication Date:	18/02/10	Sub Group	1071

HUSQVARNA OUTDOOR PRODUCTS ITALIA SPA



HUSQVARNA OUTDOOR PRODUCTS ITALIA SPA

Item	PN	Description	Qty	Item	PN	Description	Qty
1	544 44 76-04	wheel cover D190	2	63	531 21 38-93	deck	1
2	504 85 78-01	nut M8, self locking, flanged	2	64	531 21 28-51	screw 3/8" + split washer	3
3	516 02 65-05	wheel assy D190	2	65	531 20 58-48	snap on connector	1
4	504 54 82-01	ball bearing	2	67	531 20 50-60	safety flap bar	1
7	504 82 73-01	dust shield Ø210	2	68	531 20 59-99	spring	1
8	531 21 08-17	spring, wheel regulator lever	1	70	531 20 50-56	wheel regulation spring	1
9	531 20 84-92	nut M5, self locking	1	71	531 20 50-69	wheel regulation bar	1
10	531 20 79-86	handle, wheel regulator	1	75	————	engine, Briggs & Stratton, model number 10T5020188B1	1
11	501 97 99-01	wheel regulator lever	1	76	————	engine cover	1
12	538 23 58-07	screw M5x45	1	77	531 21 27-10	engine cover screw	2
13	504 80 01-01	rear axle	1	78	531 20 79-82	nut M8	2
14	531 20 66-53	cotter pin	1	79	531 20 49-23	knob	2
15	531 20 87-72	seeger	2	80	531 20 49-22	washer	2
16	544 34 23-01	gear	2	81	531 20 49-21	screw M8x25	2
17	531 20 87-78	ball bearing	2	82	531 20 89-50	cap	2
18	531 20 59-44	rear axle housing	2	83	531 20 58-42	screw 8x75	2
21	504 54 17-04	wheel cover D170	2	84	531 20 58-39	locking disc, one half	4
22	504 85 78-01	nut M8, self locking, flanged	2	85	531 20 58-41	washer	2
23	505 43 57-01	wheel assy D190	2	86	531 20 58-40	knob	2
24	504 54 82-01	ball bearing	2	87	531 20 79-82	nut M8	2
26	531 20 50-57	front axle housing	4	91	504 70 86-01	starter cable guide	1
27	504 85 65-01	front axle	1	94	544 46 38-04	brake lever	1
28	531 20 66-53	cotter pin	1	95	504 87 93-01	handle, upper half	1
30	531 20 80-08	screw, 3/8"	1	98	531 20 55-81	binder	2
31	531 20 72-37	spring washer	1	99	531 20 51-18	handle, lower half	1
32	531 21 10-17	mulching blade	1	100	531 20 63-46	screw M5x40	1
34	531 20 61-69	blade support	1	102	531 21 35-22	brake cable	1
35	505 29 09-01	key	1	103	531 20 80-43	cable support	1
36	531 20 78-56	screw 5x10	3	104	531 20 52-13	nut M5	1
37	544 46 22-01	belt cover	1	110	544 93 29-06	EZ control assy	1
38	504 04 61-01	belt guide	1	111	532 41 35-42	cover	1
39	544 46 25-01	belt guide	1	112	532 18 73-53	pulley	1
41	544 34 32-03	gear box	1	113	505 53 12-01	lever	1
42	510 03 75-01	screw 4x16 w. washer	2	114	532 41 35-41	plate	1
43	544 93 44-01	belt guide	1	115	532 18 70-97	holder	1
44	544 93 43-01	belt guide	1	116	532 18 16-98	screw	5
45	544 93 47-01	gear box spring	1	117	544 90 79-01	cable	1
46	504 54 79-01	pulley plate	2	139	576 28 37-01	label, clutch handle	1
47	504 54 80-01	nut	2	140	576 28 32-01	label, brake handle	1
48	504 03 48-01	belt Z28 10X710	1	141	576 28 38-01	label, cover engine	1
51	531 21 28-26	sack frame	1	142	576 28 54-01	label, front cover	1
52	531 21 14-37	sack	1	143	531 20 98-16	label, safety flap	1
58	531 21 26-46	safety flap	1				
60	531 20 66-77	screw 4.8x19, self threading	2				
61	531 20 88-44	screw 4.3x16, self threading	4				