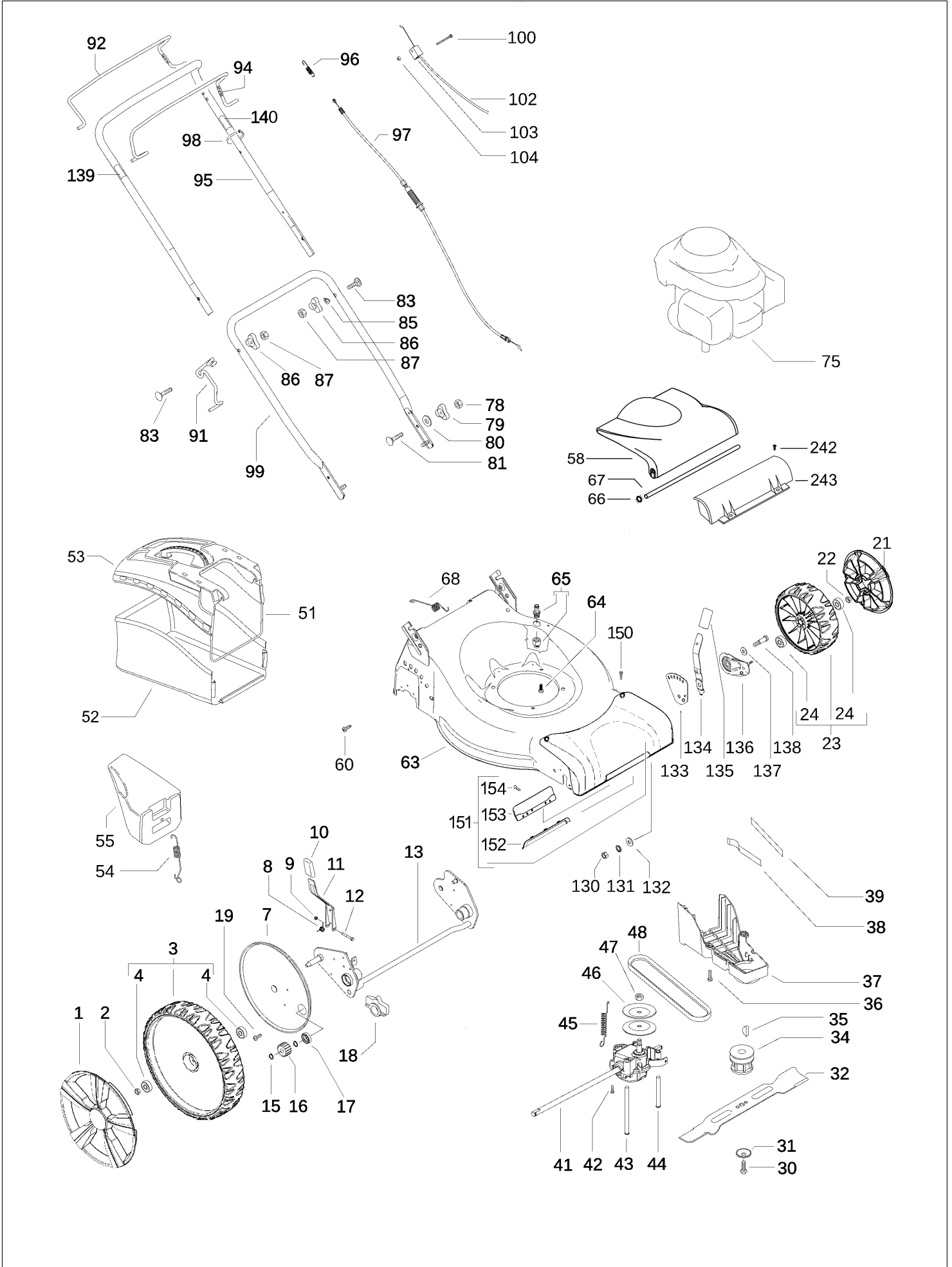


<b>PNC</b>	<b>ML</b>	<b>Model</b>	<b>Brand</b>
966768801	03	M46-501 CMDW	McCulloch

**Number of Pages 1 of 3**

<b>Factory:</b>	<b>IIQ - Valmadrera</b>	<b>Product Group:</b>	<b>OP 93</b>
<b>Publication Number:</b>	<b>MIPL2011_V430000003</b>	<b>Petrol Portable</b>	
<b>Publication Date:</b>	<b>28/10/11</b>	<b>Sub Group</b>	<b>1071</b>

HUSQVARNA ITALIA SPA



## HUSQVARNA ITALIA SPA

Item	PN	Description	Qty	Item	PN	Description	Qty
1	574 39 66-01	wheel cover Ø280	2	66	531 20 76-57	star lock washer	2
2	504 85 78-01	nut M8, self locking, flanged	2	67	531 20 50-60	safety flap bar	1
3	574 45 12-01	wheel assy Ø280	2	68	531 20 59-99	spring	1
4	504 54 82-01	ball bearing	4	75	————	engine, Briggs & Stratton, model number 09P6020002H1	1
7	504 53 99-01	dust shield Ø280	2	78	531 20 79-82	nut M8	2
8	531 21 08-17	spring, wheel regulator lever	1	79	531 20 49-23	knob	2
9	531 20 84-92	nut M5, self locking	1	80	531 20 49-22	washer	2
10	574 61 05-01	handle, wheel regulator	1	81	531 20 49-21	screw M8x25	2
11	501 97 99-01	wheel regulator lever	1	82	531 20 89-50	cap	2
12	538 23 58-07	screw M5x45	1	83	531 20 70-89	screw M8x50	2
13	510 09 29-01	rear axle	1	85	531 20 70-90	washer	1
15	531 20 87-72	seeger	4	86	531 20 49-23	knob	2
16	544 34 23-01	gear	2	87	531 20 79-82	nut M8	2
17	531 20 87-78	ball bearing	2	91	504 70 86-01	starter cable guide	1
18	531 20 59-44	rear axle housing	2	92	504 70 84-01	clutch lever	1
19	531 20 78-56	screw M5x10	4	94	504 70 83-01	brake lever	1
21	574 39 64-01	wheel cover Ø190	2	95	504 70 80-01	upper handle	1
22	504 85 78-01	nut M8, self locking, flanged	2	96	531 21 05-73	spring, clutch	1
23	574 45 09-01	wheel assy Ø190	2	97	544 90 80-02	drive cable	1
24	504 54 82-01	ball bearing	4	98	531 20 55-81	binder	2
30	531 20 80-08	screw, 3/8"	1	99	531 20 51-18	lower handle	1
31	531 20 72-37	spring washer	1	100	531 20 63-46	screw M5x40	1
32	531 21 10-17	mulching blade	1	102	531 21 35-22	brake cable	1
34	531 20 61-69	blade support	1	103	531 20 80-43	cable support	1
35	505 29 09-01	key	1	104	531 20 52-13	nut M5	1
36	531 20 78-56	screw 5x10	3	130	531 20 79-78	nut M10	2
37	544 46 22-01	belt cover	1	131	531 20 89-74	washer	2
38	504 04 61-01	belt guide	1	132	531 20 79-89	washer	2
39	544 46 25-01	belt guide	1	133	544 45 22-01	bracket, wheel adj.	2
41	504 54 14-03	gear box	1	134	544 45 25-01	wheel regulator lever	2
42	510 03 75-01	screw 4x16	2	135	574 61 05-01	handle, wheel regulator lever	2
43	504 10 31-01	belt guide	1	136	504 85 14-01	wheels support	2
44	544 93 43-01	belt guide	1	137	531 20 60-20	washer	2
45	544 93 47-01	gear box spring	1	138	531 20 49-12	screw M10	2
46	504 54 79-01	pulley plate	2	139	576 28 37-01	label, handle clutch	1
47	504 54 80-01	nut	1	140	576 28 32-01	label, handle brake	1
48	504 03 48-01	belt Z28 10x710	1	150	576 04 74-01	screw	2
51	574 86 94-01	sack frame	1	151	575 56 21-02	front cover	1
52	574 86 96-01	sack	1	152	574 37 52-01	front plate	1
53	574 61 03-01	hard top	1	153	574 72 17-01	back plate	1
58	574 61 02-01	safety flap	1	154	575 95 57-01	screw	2
60	531 20 66-77	screw	2	242	576 04 74-01	screw	2
63	575 50 09-02	deck	1	243	579 30 09-01	grass seal	1
64	531 21 28-51	screw 3/8" + split washer	3				
65	531 20 58-48	snap on connector	1				