

PNC

966841601

ML

00

Model

M 46-550 CMDA

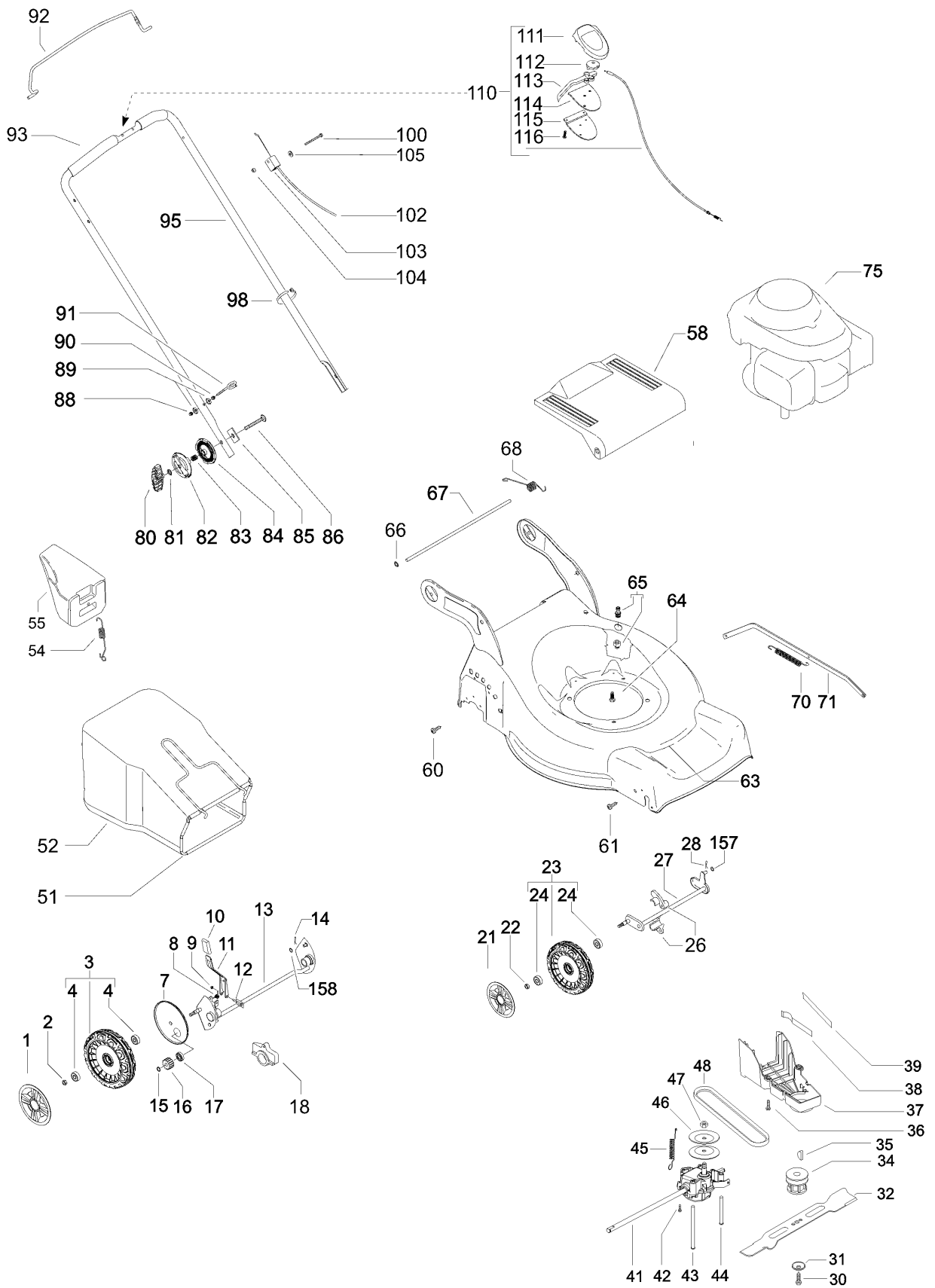
Brand

McCulloch

Number of Pages 1 of 3

Factory:	IIQ - Valmadrera	Product Group:	OP 93
Publication Number:	MIPL2008_V200000001	Petrol Portable	
Publication Date:	12/05/08	Sub Group	1071

HUSQVARNA OUTDOOR PRODUCTS ITALIA SPA



HUSQVARNA OUTDOOR PRODUCTS ITALIA SPA

Item	PN	Description	Qty	Item	PN	Description	Qty
1	544 44 62-04	wheel cover Ø210	2	80	531 20 58-40	handle	2
2	504 85 78-01	nut M8, self locking, flanged	2	81	531 20 49-22	washer	2
3	544 91 69-01	wheel assy Ø210	2	82	531 21 14-74	locking disc, outer	2
4	504 54 82-01	ball bearing	2	83	531 21 14-76	spring	2
7	504 82 73-01	dust shield Ø210	2	84	531 21 14-73	locking disc, inner	2
8	531 21 08-17	spring, wheel regulator lever	1	85	531 21 15-81	plate	2
9	531 20 84-92	nut M5, self locking	1	86	531 21 14-80	screw M8x55	2
10	531 20 79-86	handle, wheel regulator	1	88	531 20 84-91	nut M6 self	2
11	501 97 99-01	wheel regulator lever	1	89	531 20 49-61	washer	4
12	538 23 58-07	screw M5x45	1	90	531 20 71-65	nut M6	2
13	504 80 01-01	rear axle	1	91	531 20 51-69	starter cable guide	2
14	531 20 66-53	cotter pin	1	92	544 46 38-04	brake lever	1
15	531 20 87-72	seeger	2	93	544 91 34-01	sheating, handle	2
16	544 34 23-01	gear	2	95	544 91 48-02	handle	1
17	531 20 87-78	ball bearing	2	98	531 20 55-81	binder	2
18	531 20 59-44	rear axle housing	2	100	531 20 63-46	screw M5x40	1
21	544 44 76-04	wheel cover Ø190	2	102	531 21 35-22	brake cable	1
22	504 85 78-01	nut M8, self locking, flanged	2	103	531 20 80-43	cable support	1
23	544 91 73-01	wheel assy Ø190	2	104	531 20 52-13	nut M5	1
24	531 20 87-78	ball bearing	2	105	531 20 66-66	washer	1
26	531 20 50-57	front axle housing	4	110	544 93 29-06	EZ control assy	1
27	504 85 65-01	front axle	1	111	532 41 35-42	cover	1
28	531 20 66-53	cotter pin	1	112	532 18 73-53	pulley	1
30	531 20 80-08	screw, 3/8"	1	113	505 53 12-01	lever	1
31	531 20 72-37	spring washer	1	114	532 41 35-41	plate	1
32	531 21 10-17	mulching blade	1	115	532 18 70-97	holder	1
34	531 20 61-69	blade support	1	116	532 18 16-98	screw	5
35	505 29 09-01	key	1	157	531 20 71-70	washer	1
36	531 20 78-56	screw 5x10	3	158	531 20 71-70	washer	1
37	544 46 22-01	belt cover	1				
38	504 04 61-01	belt guide	1				
39	544 46 25-01	belt guide	1				
41	544 34 32-03	gear box	1				
42	510 03 75-01	screw 4x16, self threading	2				
43	544 93 44-01	belt guide	1				
44	544 93 43-01	belt guide	1				
45	544 93 47-01	gear box spring	1				
46	504 54 79-01	pulley plate	2				
47	504 54 80-01	nut	1				
48	504 03 48-01	belt Z28 10X710	1				
51	531 21 34-67	sack frame	1				
52	531 21 14-37	sack	1				
54	531 21 11-84	spring, mulching plug	1				
55	531 21 06-17	mulching plug	1				
58	531 21 26-46	safety flap	1				
60	531 20 66-77	screw	2				
61	531 20 88-44	screw 4,3x16, self threading	4				
63	531 21 39-16	deck	1				
64	531 21 28-51	screw 3/8" + split washer	3				
65	531 20 58-48	snap on connector 1/2"	1				
66	531 20 76-57	washer	2				
67	531 20 50-60	safety flap bar	1				
68	531 20 59-99	spring	1				
70	531 20 50-56	wheel regulation spring	1				
71	531 20 50-69	wheel regulation bar	1				
75	—	engine, Briggs & Stratton, model number 10T8020136	1				