

PNC

965994001

ML

01

Model

M 46-625 CDE

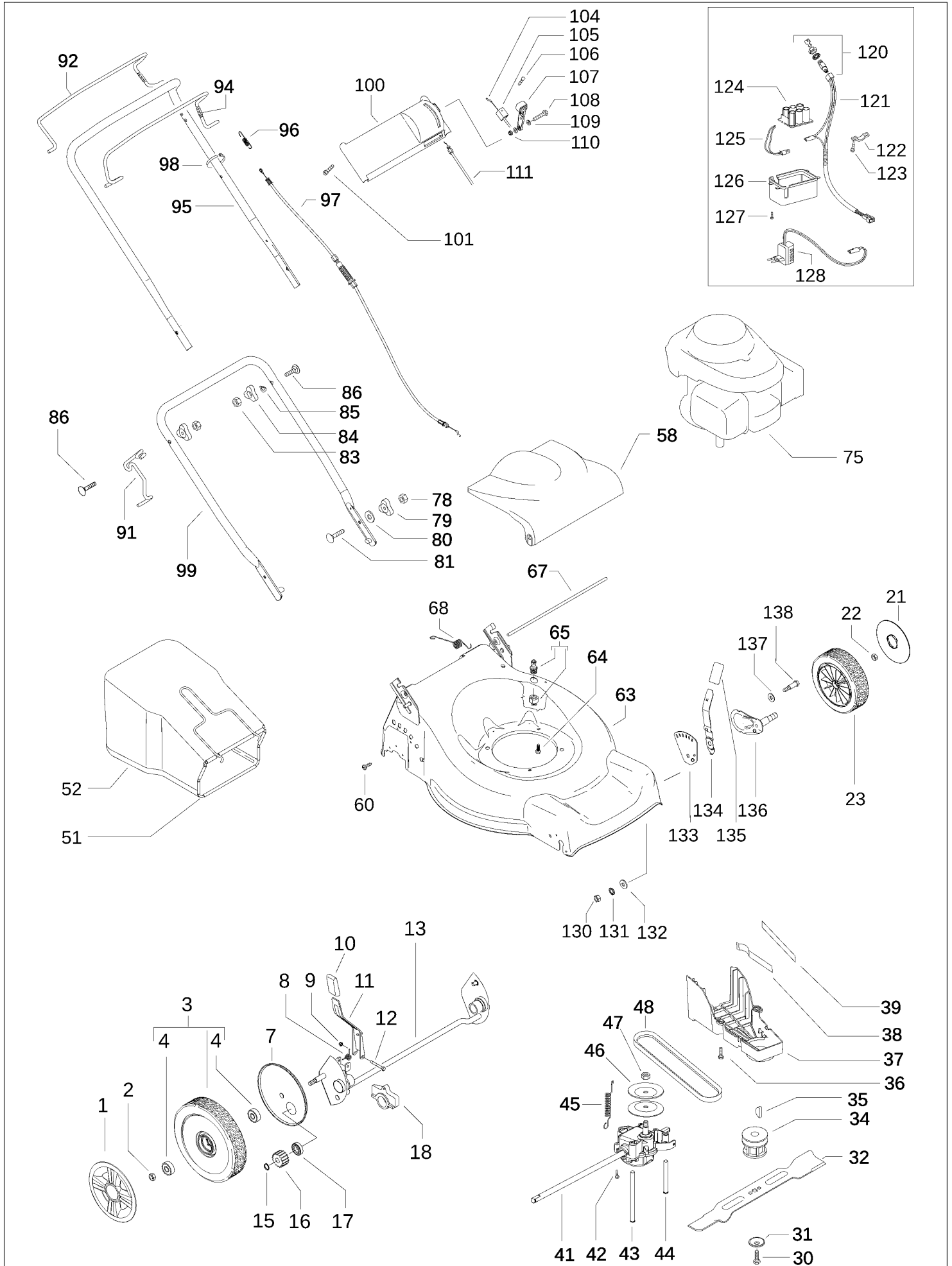
Brand

McCulloch

Number of Pages 1 of 3

Factory:	IIQ - Valmadrera	Product Group:	OP 93
Publication Number:	MIPL2010_V15000002	Petrol Portable	
Publication Date:	14/04/10	Sub Group	1071

HUSQVARNA OUTDOOR PRODUCTS ITALIA SPA



HUSQVARNA OUTDOOR PRODUCTS ITALIA SPA

Item	PN	Description	Qty	Item	PN	Description	Qty
1	544 44 62-04	wheel cover Ø210	2	94	504 70 83-04	brake lever	1
2	504 85 78-01	nut M8, self locking, flanged	2	95	504 85 32-01	upper handle	1
3	505 45 19-01	wheel assy Ø210	2	96	531 21 05-73	spring, clutch	1
7	504 82 73-01	dust shield Ø210	2	97	544 90 80-01	clutch cable	1
8	531 21 08-17	spring, wheel regulator lever	1	98	531 20 55-81	binder	2
9	531 20 84-92	nut M5, self locking	1	99	531 20 51-18	handle, lower half	1
10	574 61 05-01	handle, wheel regulator	1	100	531 20 51-32	dashboard	1
11	525 34 84-02	wheel regulator lever	1	101	531 20 88-44	screw, selfthreading	4
12	538 23 58-07	screw M5x45	1	104	531 21 34-34	brake cable	1
13	504 80 01-01	rear axle	1	105	531 20 80-43	cable support	1
15	531 20 87-72	seeger	2	106	531 20 82-17	screw 5x25, self threading	1
16	544 34 32-01	gear	2	107	531 20 51-39	accelerator lever	1
17	531 20 87-78	ball bearing	2	108	531 20 78-36	screw 5x25	1
18	531 20 59-44	rear axle housing	2	109	531 20 66-66	washer	2
19	531 20 78-56	screw M5x10	4	110	531 20 84-92	nut M5, self locking	1
21	544 44 76-04	wheel cover Ø190	2	111	531 20 77-54	accelerator cable	1
22	504 85 78-01	nut M8, self locking, flanged	2	120	531 21 25-14	key,switch	1
23	505 43 66-01	wheel assy Ø190	2	121	531 21 34-14	wires assy	1
30	531 20 80-08	screw, 3/8"	1	122	531 20 78-40	clamp	1
31	531 20 72-37	spring washer	1	123	531 20 88-44	screw, selfthreading	2
32	531 21 10-17	mulching blade	1	124	531 21 28-21	battery	1
34	531 20 61-69	blade support	1	125	531 21 28-18	wires battery	1
35	505 29 09-01	key	1	126	531 20 72-67	battery box	1
36	531 20 78-56	screw 5x10	3	127	531 20 71-90	screw, 4,3x13, self threading	4
37	544 46 22-01	belt cover	1	128	531 20 09-04	battery charger	1
38	504 04 61-01	belt guide	1	130	531 20 79-78	nut M10	2
39	544 46 25-01	belt guide	1	131	531 20 89-74	washer	2
41	504 54 14-02	gear box	1	132	531 20 79-89	washer	2
42	510 03 75-01	screw 4x18, self threading	2	133	544 45 22-01	bracket, wheel adj.	2
43	544 93 44-01	belt guide	1	134	544 45 25-01	wheel regulator lever	2
44	544 93 43-01	belt guide	1	135	574 61 05-01	handle, wheel regulator lever	2
45	544 93 47-01	gear box spring	1	136	504 85 14-01	wheels support	2
46	504 54 79-01	pulley plate	2	137	531 20 60-20	washer	2
47	504 54 80-01	nut	1	138	531 20 49-12	screw M10	2
48	504 03 48-01	belt Z28 10X710	1				
51	531 21 34-67	sack frame	1				
52	531 21 14-37	sack	1				
58	531 21 26-46	safety flap	1				
60	531 20 66-77	screw 4.8x19, self threading	2				
63	531 21 38-93	deck	1				
64	531 21 28-51	screw 3/8" + split washer	3				
65	531 20 58-48	snap on connector	1				
67	531 20 50-60	safety flap bar	1				
68	531 20 59-99	spring	1				
75	——	engine, Briggs & Stratton, model number 122T074142	1				
78	531 20 79-82	nut M8	2				
79	531 20 49-23	knob	2				
80	531 20 49-22	washer	2				
81	531 20 49-21	screw M8x25	2				
83	531 20 79-82	nut M8	2				
84	531 20 49-23	knob	2				
85	531 20 70-90	washer	2				
86	531 20 70-89	screw M8x50	2				
91	504 70 86-01	starter cable guide	1				
92	504 70 84-01	clutch lever	1				