

PNC

966958601

ML

00

Model

M 46-625 CMDWA

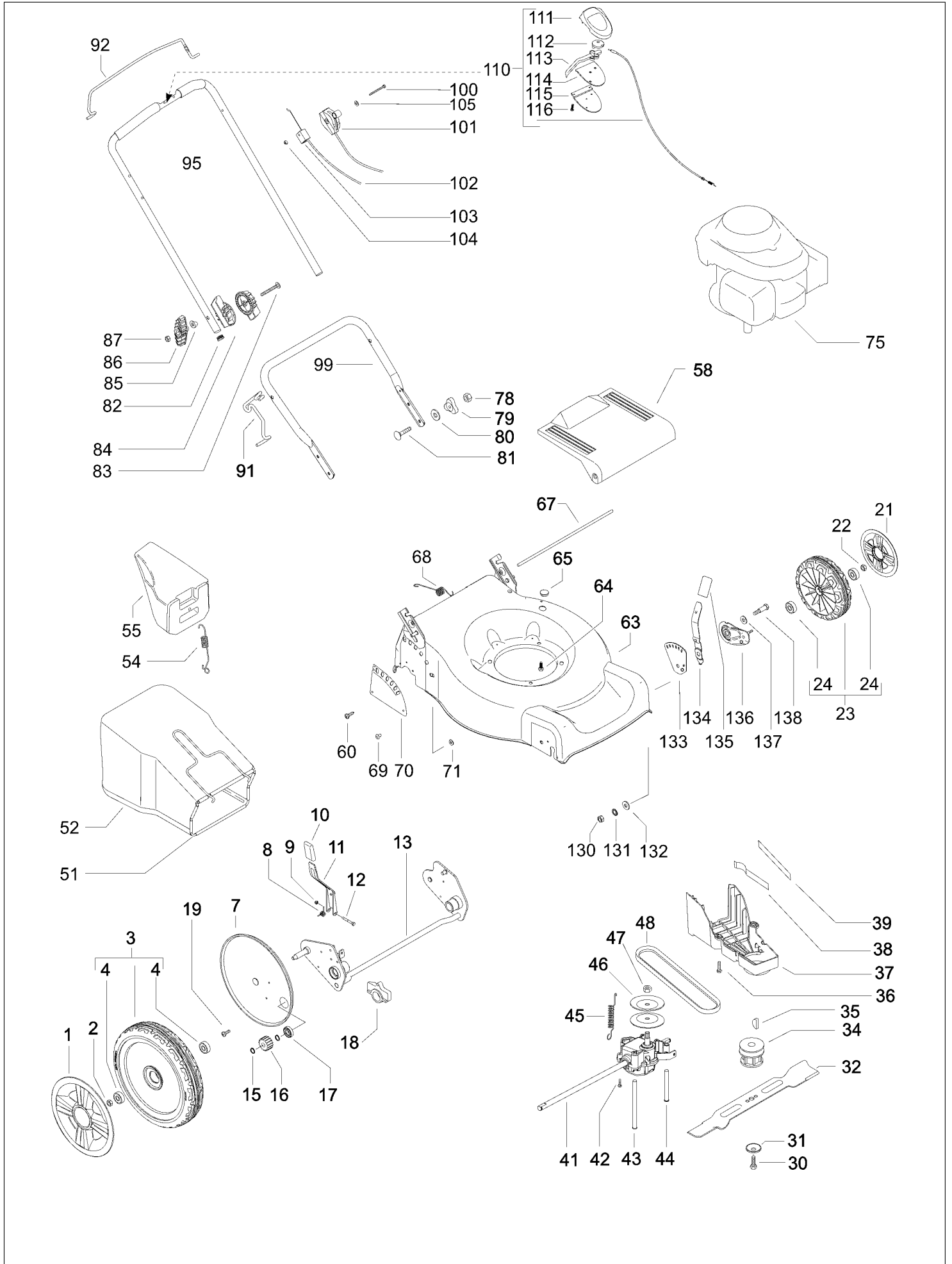
Brand

McCulloch

Number of Pages 1 of 3

Factory:	IIQ - Valmadrera	Product Group:	OP 93
Publication Number:	MIPL2008_V210000003	Petrol Portable	
Publication Date:	21/05/08	Sub Group	1071

HUSQVARNA OUTDOOR PRODUCTS ITALIA SPA



HUSQVARNA OUTDOOR PRODUCTS ITALIA SPA

Item	PN	Description	Qty	Item	PN	Description	Qty
1	504 54 21-01	wheel cover Ø280	2	83	531 20 58-42	screw 8x75	2
2	504 85 78-01	nut M8, self locking, flanged	2	84	531 20 58-39	locking disc, one half	4
3	505 43 60-01	wheel assy Ø280	2	85	531 20 58-41	washer	2
4	504 54 82-01	ball bearing	4	86	531 20 58-40	knob	2
7	504 53 99-01	dust shield Ø280	2	87	531 20 79-82	nut M8	2
8	531 21 08-17	spring, wheel regulator lever	1	91	504 70 86-01	starter cable guide	1
9	531 20 84-92	nut M5, self locking	1	92	544 46 38-04	brake lever	1
10	531 20 79-86	handle, wheel regulator	1	93	544 91 34-01	sheating, handle	2
11	501 98 01-01	wheel regulator lever	1	95	504 87 93-01	upper handle	1
12	531 20 63-46	screw M5x40	1	98	531 20 55-81	binder	2
13	501 98 00-01	rear axle	1	99	504 70 82-01	lower handle	1
15	531 20 87-72	seeger	4	100	531 20 62-12	screw M5x60	1
16	544 34 23-01	gear	2	101	531 20 62-10	accelerator lever and cable	1
17	531 20 87-78	ball bearing	2	102	531 21 35-22	brake cable	1
18	531 20 59-44	rear axle housing	2	103	531 20 80-43	cable support	1
19	531 20 78-56	screw M5x10	4	104	531 20 52-13	nut M5	1
21	544 44 76-04	wheel cover Ø190	2	105	531 20 66-66	washer	1
22	504 85 78-01	nut M8, self locking, flanged	2	110	544 93 29-06	EZ control assy	1
23	544 91 73-01	wheel assy Ø190	2	111	532 41 35-42	cover	1
24	504 54 82-01	ball bearing	4	112	532 18 73-53	pulley	1
30	531 20 80-08	screw, 3/8"	1	113	505 53 12-01	lever	1
31	531 20 72-37	spring washer	1	114	532 41 35-41	plate	1
32	531 21 10-17	mulching blade	1	115	532 18 70-97	holder	1
34	531 20 61-69	blade support	1	116	532 18 16-98	screw	5
35	505 29 09-01	key	1	130	531 20 79-78	nut M10	2
36	531 20 78-56	screw 5x10	3	131	531 20 89-74	washer	2
37	544 46 22-01	belt cover	1	132	531 20 79-89	washer	2
38	504 04 61-01	belt guide	1	133	544 45 22-01	bracket, wheel adj.	2
39	544 46 25-01	belt guide	1	134	544 45 25-01	wheel regulator lever	2
41	504 54 14-02	gear box	1	135	531 20 79-86	handle, wheel regulator lever	2
42	510 03 75-01	screw 4x16, self threading	2	136	504 85 14-01	wheels support	2
43	544 93 44-01	belt guide	1	137	531 20 60-20	washer	2
44	544 93 43-01	belt guide	1	138	531 20 49-12	screw M10	2
45	544 93 47-01	gear box spring	1				
46	504 54 79-01	pulley plate	2				
47	504 54 80-01	nut	1				
48	504 03 48-01	belt Z28 10X710	1				
51	531 21 34-67	sack frame	1				
52	531 21 14-37	sack	1				
58	531 21 26-46	safety flap	1				
60	531 20 66-77	screw	2				
63	504 87 41-43	deck	1				
64	531 21 28-51	screw 3/8" + split washer	3				
65	531 20 53-18	cap	1				
67	531 20 50-60	safety flap bar	1				
68	531 20 59-99	spring	1				
69	531 20 83-44	rivet	1				
70	544 83 46-01	bracket, wheel adj.	1				
71	531 20 66-66	washer	1				
75	————	engine, Briggs & Stratton, model number 122T021783	1				
78	531 20 79-82	nut M8	2				
79	531 20 49-23	knob	2				
80	531 20 49-22	washer	2				
81	531 20 49-21	screw M8x25	2				
82	531 20 89-50	cap	2				