

**PNC**

965970401

**ML**

01

**Model**

M 46 SD

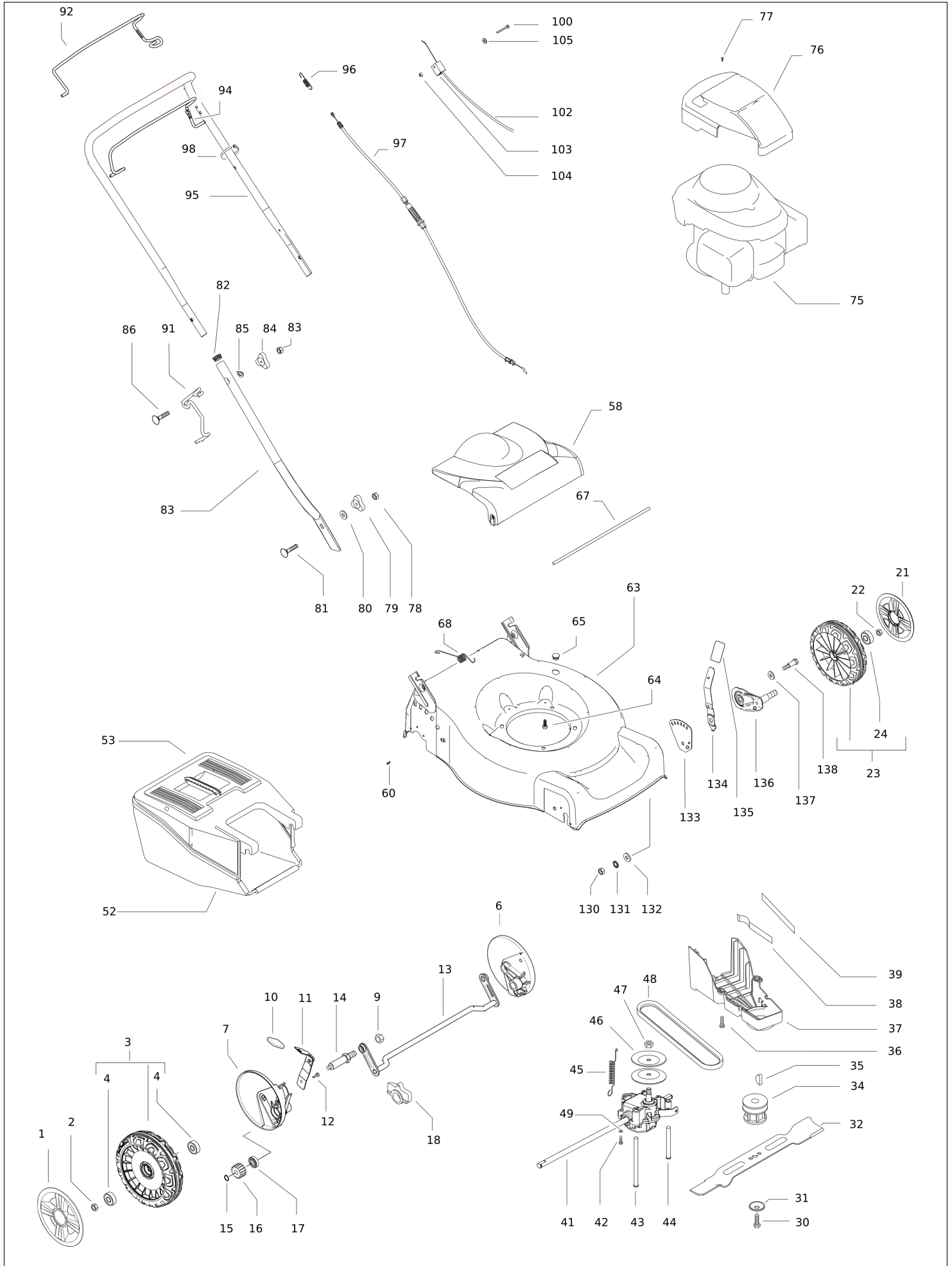
**Brand**

McCulloch

**Number of Pages 1 of 3**

<b>Factory:</b>	<b>IIQ - Valmadrera</b>	<b>Product Group:</b>	<b>OP 93</b>
<b>Publication Number:</b>	<b>MIPL2009_V41000002</b>	<b>Petrol Portable</b>	
<b>Publication Date:</b>	<b>08/10/09</b>	<b>Sub Group</b>	<b>1071</b>

HUSQVARNA OUTDOOR PRODUCTS ITALIA SPA



## HUSQVARNA OUTDOOR PRODUCTS ITALIA SPA

Item	PN	Description	Qty	Item	PN	Description	Qty
1	544 44 78-04	wheel cover Ø190	2	83	531 20 79-82	nut M8	2
2	504 85 78-01	nut M8, self locking, flanged	2	84	531 20 49-23	knob	2
3	516 02 65-05	wheel assy Ø190	2	85	531 20 70-90	washer	2
4	504 54 82-01	ball bearing	4	86	531 20 70-89	screw M8x50	2
6	531 20 51-95	dust shield Ø210, left	1	91	504 70 86-01	starter cable guide	1
7	531 20 51-94	dust shield Ø210, right	1	92	504 70 84-01	clutch lever	1
9	510 07 13-01	nut M10	2	94	504 70 83-04	brake lever	1
10	531 20 79-86	handle, wheel regulator	1	95	504 70 80-01	handle, upper half	1
11	531 21 25-80	wheel regulator lever	1	96	531 21 05-73	spring, clutch	1
12	531 20 82-16	screw 5x16, self threading	1	97	544 90 80-01	clutch cable	1
13	540 06 86-01	rear axle	1	98	531 20 55-81	binder	2
14	510 07 12-01	bolt	2	99	531 20 60-71	handle, lower half	2
15	531 20 87-72	seeger	2	100	531 20 63-46	screw M5x40	1
16	544 34 23-01	gear	2	102	531 21 35-22	brake cable	1
17	531 20 87-78	ball bearing	2	103	531 20 80-43	cable support	1
18	531 20 59-44	rear axle housing	2	104	531 20 52-13	nut M5	1
21	504 54 17-04	wheel cover Ø170	2	105	531 20 66-66	washer	1
22	504 85 78-01	nut M8, self locking, flanged	2	130	531 20 79-78	nut M10	2
23	505 43 57-01	wheel assy Ø170	2	131	531 20 89-74	washer	2
24	504 54 82-01	ball bearing	4	132	531 20 79-89	washer	2
30	531 20 80-08	screw, 3/8"	1	133	544 45 22-01	bracket, wheel adj	2
31	531 20 72-37	spring washer	1	134	544 45 25-01	wheel regulator lever	2
32	531 21 10-17	mulching blade	1	135	531 20 79-86	handle, wheel regulator lever	2
34	531 20 61-69	blade support	1	136	504 85 14-01	wheels support	2
35	505 29 09-01	key	1	137	531 20 60-20	washer	2
36	531 20 78-56	screw 5x10	3	138	531 20 49-12	screw M10	2
37	544 46 22-01	belt cover	1				
38	504 04 61-01	belt guide	1				
39	544 46 25-01	belt guide	1				
41	544 34 32-03	gear box	1				
42	538 24 08-62	screw 4x18, self threading	2				
43	544 93 44-01	belt guide	1				
44	544 93 43-01	belt guide	1				
45	544 93 47-01	gear box spring	1				
46	504 54 79-01	pulley plate	2				
47	504 54 80-01	nut	1				
48	504 03 48-01	belt Z28 10X710	1				
49	531 20 71-70	washer	1				
52	531 20 83-13	sack	1				
53	531 20 82-96	sack cover	1				
58	531 21 26-46	safety flap	1				
60	531 20 66-77	screw 4.8x19, self threading	2				
63	531 21 38-93	deck	1				
64	531 21 28-51	screw 3/8" + split washer	3				
65	531 20 53-18	cap	1				
67	531 20 50-60	safety flap bar	1				
68	531 20 59-99	spring	1				
75	———	engine, Briggs & Stratton, model number 10T5020188	1				
76	531 21 24-06	engine cover	1				
77	531 21 27-10	engine cover screw	2				
78	531 20 79-82	nut M8	2				
79	531 20 49-23	knob	2				
80	531 20 49-22	washer	2				
81	531 20 49-21	screw M8x25	2				
82	531 20 89-50	cap	2				