

**PNC**

953878175

**ML**

01

**Model**

M 46 RSD Titanium

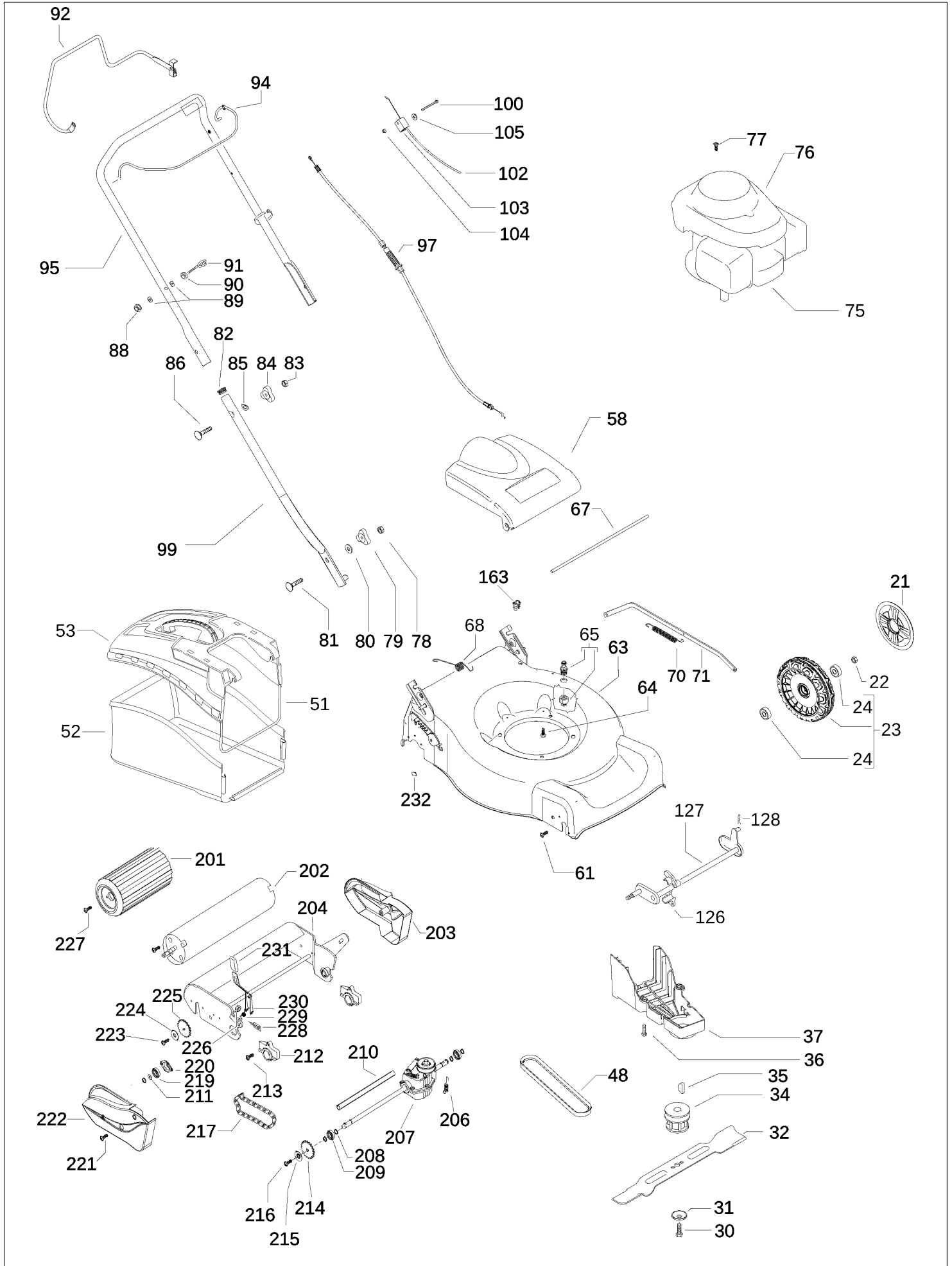
**Brand**

McCulloch

**Number of Pages 1 of 3**

<b>Factory:</b>	<b>IIQ - Valmadrera</b>	<b>Product Group:</b>	<b>OP 93</b>
<b>Publication Number:</b>	<b>MIPL2009_V310000001</b>	<b>Petrol Portable</b>	
<b>Publication Date:</b>	<b>29/07/09</b>	<b>Sub Group</b>	<b>1071</b>

HUSQVARNA OUTDOOR PRODUCTS ITALIA SPA



## HUSQVARNA OUTDOOR PRODUCTS ITALIA SPA

Item	PN	Description	Qty	Item	PN	Description	Qty
21	504 54 17-04	wheel cover Ø170	2	201	531 21 34-79	roller sheating	2
22	504 85 78-01	nut M8, self locking, flanged	2	202	531 21 34-70	roller	1
23	505 43 57-01	wheel assy Ø170	2	203	531 21 32-42	roller support cover, left	1
24	504 54 82-01	ball bearing	2	204	531 21 34-71	roller support	1
30	531 20 80-08	screw, 3/8"	1	206	531 20 52-16	gearbox spring	1
31	531 20 72-37	spring washer	1	207	531 21 32-35	gearbox	1
32	531 21 10-17	mulching blade	1	208	531 20 87-72	seeger	5
34	531 20 61-69	blade support	1	209	531 20 87-78	ballbearing	4
35	505 29 09-01	key	1	210	531 20 76-97	spacer tube	1
36	531 20 78-56	screw 5x10	3	211	531 20 77-86	washer	2
37	544 46 22-01	belt cover	1	212	531 21 36-10	roller axle support	2
48	501 38 19-01	belt Z27 10X692	1	213	531 21 32-51	screw	4
51	531 21 35-14	sack frame	1	214	531 21 32-52	gear Z8	1
52	531 21 32-36	sack	1	216	531 21 32-56	screw	1
53	531 20 82-96	sack cover	1	217	531 21 32-53	chain	1
58	531 21 26-46	safety flap	1	220	531 21 36-06	ball bearing support	2
61	531 20 88-44	screw 4.3x16, self threading	4	221	531 20 66-77	screw	2
63	574 29 85-02	deck	1	222	531 21 32-43	roller support cover, right	1
64	531 21 28-51	screw 3/8" + split washer	3	223	531 21 32-56	screw	1
65	525 34 78-01	snap on connector 1/2"	1	225	531 21 32-50	gear Z21	1
67	531 21 14-41	safety flap bar	1	226	531 20 84-93	nut	1
68	531 20 59-99	spring	1	227	531 20 78-56	screw 5x10	6
70	531 20 50-56	wheel regulation spring	1	228	531 20 63-46	scre 5x40	1
71	531 21 32-46	wheel regulation bar	1	229	531 21 08-17	spring	1
75	———	engine, Briggs & Stratton, model number 10T5020188	1	230	531 21 34-77	roller levere complete	1
76	531 21 24-06	cover, engine	1	231	531 20 79-86	sheating	1
77	531 21 27-10	screw, cover engine	2	232	531 21 34-31	cap	1
78	531 20 79-82	nut M8	2				
79	531 20 49-23	knob	2				
80	531 20 49-22	washer	2				
81	531 20 49-21	screw M8x25	2				
82	531 20 89-50	cap	2				
83	531 20 79-82	nut M8	2				
84	531 20 49-23	knob	2				
85	531 20 70-90	washer	2				
86	531 20 70-89	screw M8x50	2				
88	531 20 84-91	nut M6 self locking	1				
89	531 20 49-61	washer	2				
90	531 20 71-65	nut M6	1				
91	531 20 51-69	starter cable guide	1				
92	531 20 52-08	clutch lever	1				
94	531 21 14-29	brake lever	1				
95	531 20 52-04	handle, upper half	1				
97	531 20 61-91	clutch cable	1				
98	531 20 55-81	binder	2				
99	504 70 81-01	handle, lower half	2				
100	531 20 63-46	screw M5x40	1				
102	531 21 34-34	brake cable	1				
103	531 20 80-43	cable support	1				
104	531 20 52-13	nut M5	1				
105	531 20 66-66	washer	1				
126	531 20 50-57	front axle support	4				
127	531 21 25-87	front axle	1				
128	531 20 66-53	cotter pin	2				
163	531 20 55-57	cable lock	1				