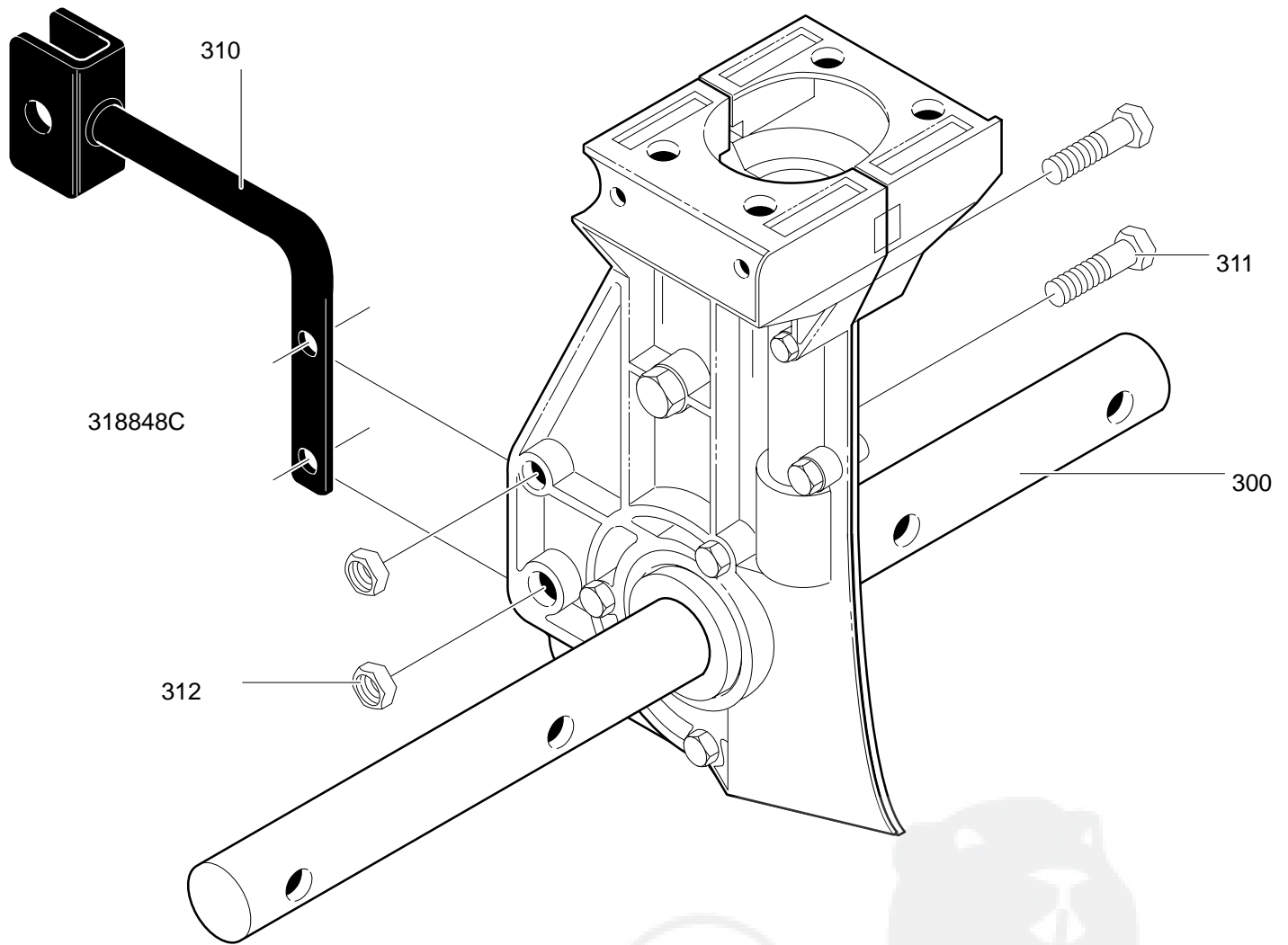


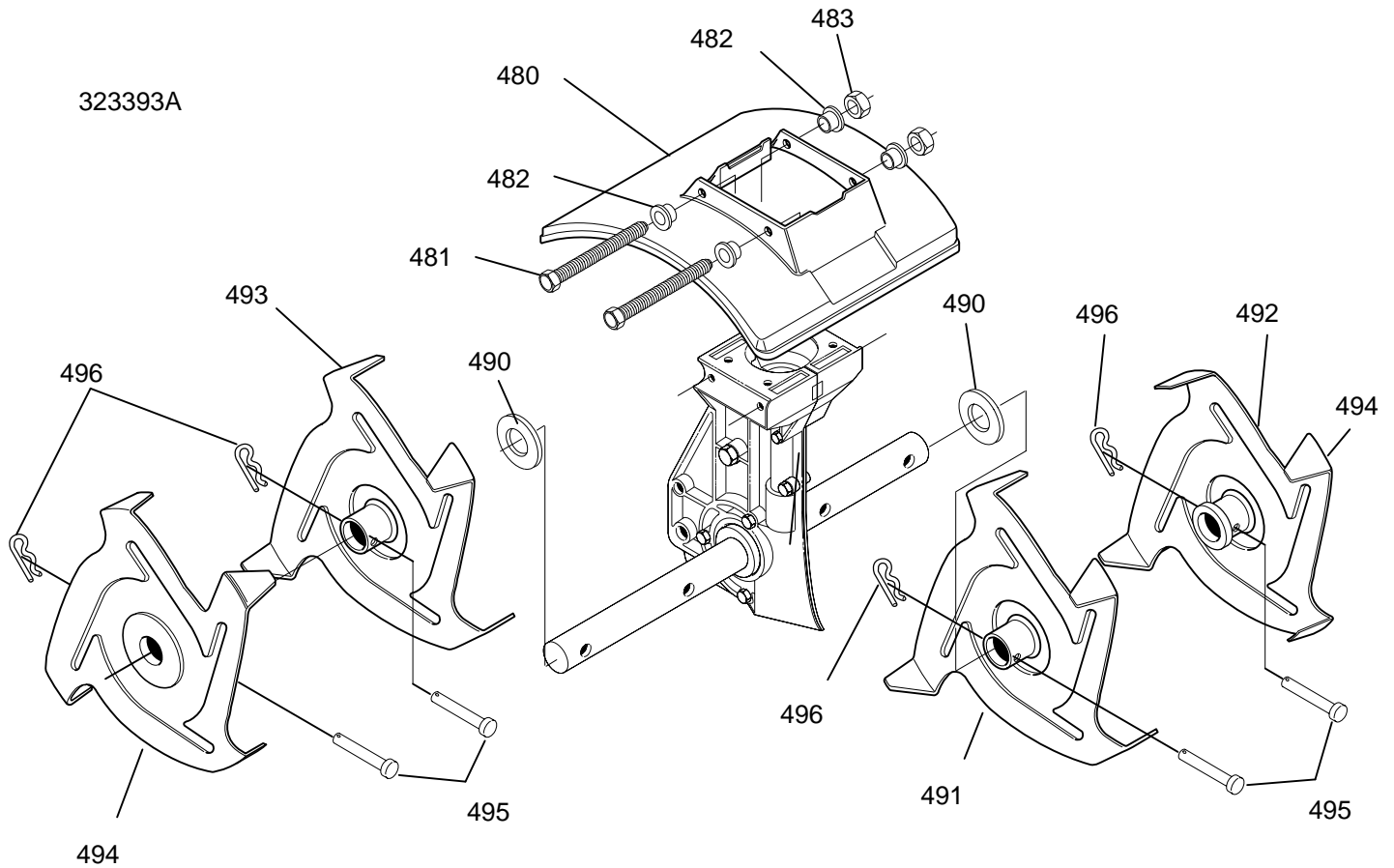
KEY NO.	DESCRIPTION	PART NO.
10	Engine	2.0HP
11	Flat washer	56694
12	Rotor	335350
13	Washer, Regsptlk	120380
14	Screw	1X90
17	Cable, Throttle	339297
—	Instruction Manual	F-011304M



KEY NO.	DESCRIPTION	PART NO.
300	Transmission	740061
310	Bracket, Depth Rod	340549
311	Screw, 1/4-20x1.25	180024
312	Nut, 1/4-20	782585

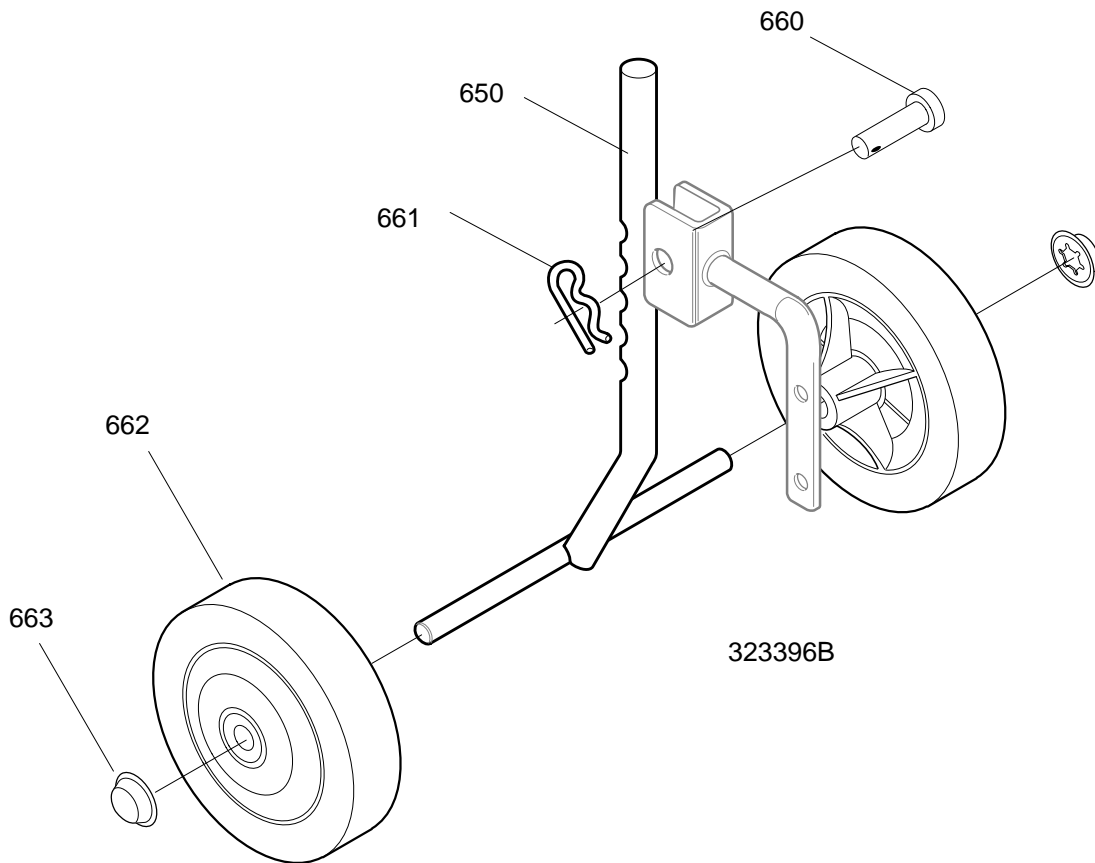
# MODEL 11052X85A

# REPAIR PARTS

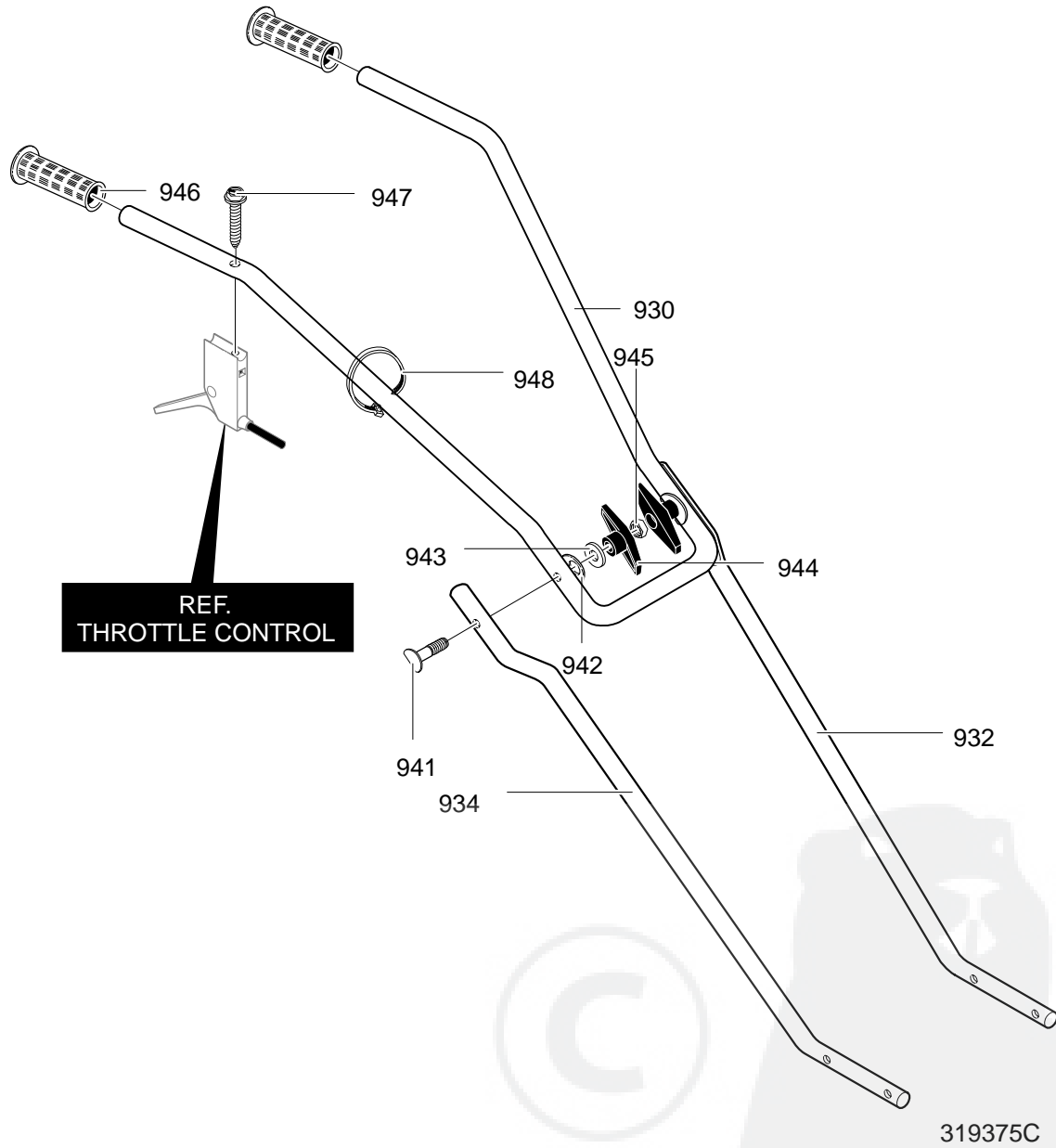


KEY NO.	DESCRIPTION	PART NO.
480	Shield, Tine	308563
481	Screw, 1/4-20x5.50	310056
482	Spacer, Flange	672734
483	Nut, 1/4-20	782585
490	Washer, Felt	56158
491	Tine Assy. Inner LH	56157-853

KEY NO.	DESCRIPTION	PART NO.
492	Tine Assy. Outer LH	56155-853
493	Tine Assy. Inner RH	56156-853
494	Tine Assy. Outer RH	56154-853
495	Clevis Pin	56123
496	Hair Pin	56180



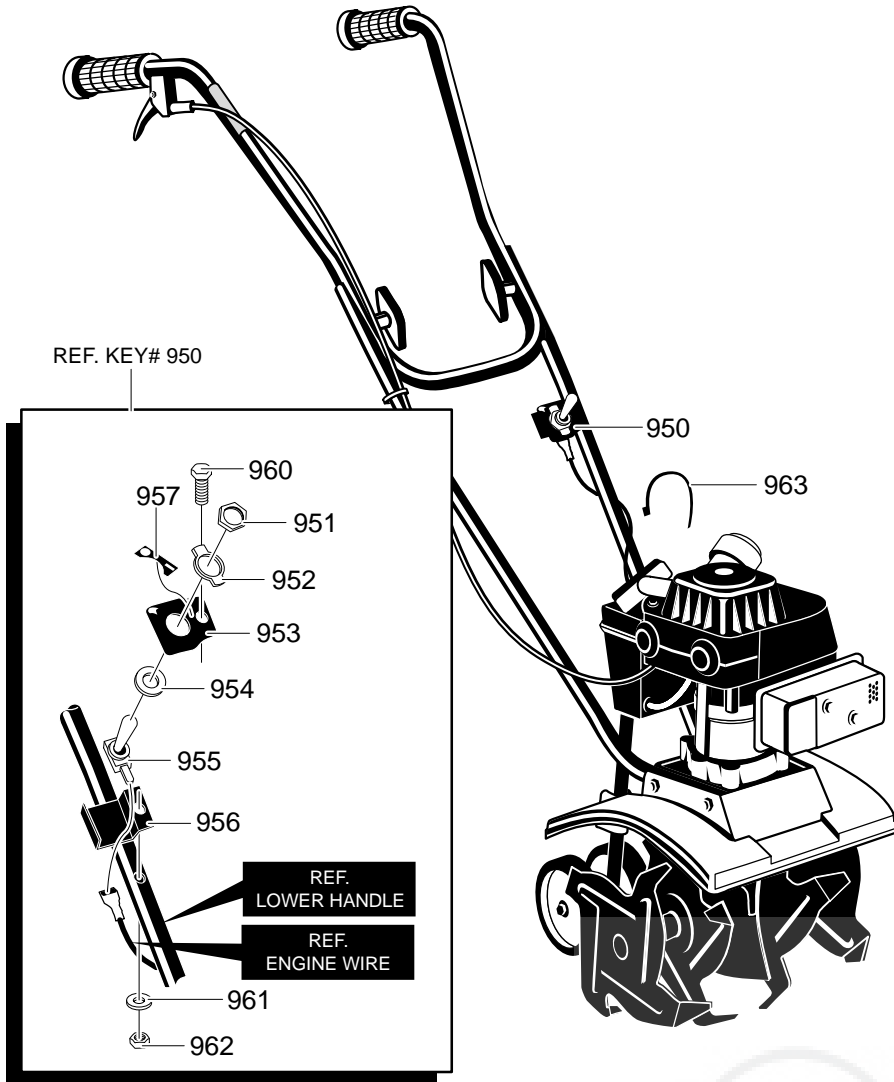
KEY NO.	DESCRIPTION	PART NO.
650	Wheel Support Assy.	331282
660	Clevis Pin	56123
661	Hair Pin	56180
662	Tire & Rim	339277
663	Push On Nut	73664



KEY NO.	DESCRIPTION	PART NO.
930	Upper Handle	339298-853
932	Lower Handle LH	339398-853
934	Lower Handle RH	339399-853
941	Bolt 5/16-18x1.63	56199
942	Formed Washer	783000
943	Flat washer	120393
944	T Knob	57171
945	Nut, 5/16-18	120376
946	Hand Grip	56778
947	Screw	426635
948	Tie, Cable	712267

# MODEL 11052X85A

# REPAIR PARTS



KEY NO.	DESCRIPTION	PART NO.
950	Switch, Assembly	333172
951	Nut, Mtg. 15/32	57029
952	Plate, Indicator	56248
953	Bracket, Mounting -Top	740081
954	Lockwasher	45878
955	Switch	56143
956	Bracket, Mounting -Bottom	740082
957	Decal, ON/OFF	339293
960	Screw	57019
961	Washer	138479
962	Nut	308459
963	Tie, Cable	57444