

**OWNER'S MANUAL**  
**SELF-PROPELLED CHAIN DRIVE TILLER**  
**MODELS 5333-1200 & 5333-1300**

**WARRANTY**

**ONE YEAR LIMITED WARRANTY**

For one (1) year from date of purchase by the first consumer for residential use (thirty (30) days commercial use), Western International Incorporated warrants that it will replace free of charge, including labor, any original part of any Western International Incorporated product found to be defective by any authorized Service Dealer or the factory.

This warranty does not cover battery (if so equipped) or engine (these items are covered by their manufacturer's own warranty). This warranty does not cover parts that have failed due to normal wear or parts that have failed subject to misuse or abuse. Transportation of the unit or part to and from an authorized Service Dealer or the factory is the responsibility of the owner.

A step by step explanation as to what procedure should be followed for this Warranty is:

1. If a part becomes defective, contact the store where the unit was purchased for the name and address of the authorized Service Dealer nearest to you.
2. If you cannot locate an authorized Service Dealer, write Service Department of Western International Incorporated for the name and address of the authorized Service Dealer in your area or call the Service Department at 1-800-247-7464.
3. Return the defective product, along with proof of purchase to such authorized Service Dealer for replacement of any defective part where covered by this warranty.

There is no other express warranty. Implied warranties, including those of merchantability and fitness for a particular purpose are limited to one (1) year from date of purchase. Liability for incidental or consequential damages are excluded.

Some states do not allow limitations on how long an implied warranty lasts, so the above limitation may not apply to you. Some states do not allow the exclusion of incidental or consequential damages, so the above exclusion may not apply to you. This warranty gives you specific legal rights, and you may have other rights which vary from state to state.

**Western International Incorporated      P.O. Box 377      Des Moines, Iowa 50302**

**UNIT PARTS AND SERVICE**

This manual contains instructions for safety, assembly and maintenance. Read this manual carefully and completely so that you will know proper assembly, use and care of your unit. Also fill in and mail the warranty registration card packed with the unit. For service other than covered in this manual, contact an authorized service dealer. A nationwide parts and service organization has been established to provide locally available parts and service. A list of authorized parts distributors has been included in this manual. When ordering repair parts, always give the following information: 1. The Part Name; 2. The Part Number; 3. The Quantity desired; 4. The Full (eight digit) Model Number of the unit. The model number will be found on a plate attached to the unit.



**Look for this symbol. It means — ATTENTION! BECOME ALERT! A HAZARD TO OPERATOR, BYSTANDERS, PROPERTY OR UNIT MAY EXIST.**



**WESTERN INTERNATIONAL INCORPORATED**  
**P.O. BOX 377**  
**DES MOINES, IOWA 50302**

Part No. 62524

0384

Price \$1.00

Printed in U.S.A.

## OPERATIONAL PRECAUTIONS

THESE INSTRUCTIONS ARE FOR YOUR PROTECTION. PLEASE READ THEM CAREFULLY.



It is important when using your Rotary Tiller that certain precautions be taken to prevent injury or damage. Please read the following list of precautions before you assemble or use your Rotary Tiller.



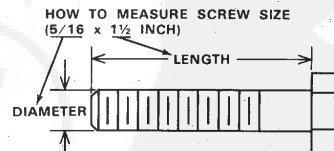
1. Read the Owner's Manual and Engine Manual carefully. Be thoroughly familiar with the controls and proper use of the equipment and know how to stop quickly. Wear safety glasses or eye shields when assembling or operating unit.
2. Never allow children or young teenagers to operate power equipment and instruct them to stay away from the unit while it is operating.
3. Keep the area of operation clear of all persons, particularly small children and pets.
4. Do not operate equipment when barefooted or wearing open sandals. Always wear substantial footwear, preferable steel-toed shoes. Do not wear loose fitting clothes that could get caught in moving parts.
5. Handle gasoline with care - it is highly flammable.
  - A. Use only approved gasoline containers.
  - B. Never remove cap or add gasoline to a running or hot engine or fill fuel tank indoors. Wipe up spilled gasoline.
  - C. Check your fuel supply before each use allowing space for expansion as the heat of the engine and/or sun can cause gasoline to expand.
  - D. Never store gasoline or equipment with gasoline in the tank inside of a building where fumes may reach an open flame or spark. Never store your unit for prolonged periods (more than 15 days) with gasoline in the tank. Store gasoline and your unit in a locked safe storage area secure from children and others.
6. Disengage self-propelling unit, or drive clutch on units so equipped, before starting engine.
7. Operate unit only in daylight or in good artificial light.
8. Give your complete and undivided attention to the job at hand while tilling.
9. Use caution while operating the unit.
10. Always stand clear of the front of self-propelled tillers.
11. Do not change engine governor settings or over-speed engine.
12. Never put hands or feet near or under rotating parts.
13. Always stop the engine whenever you leave the unit momentarily.
14. NEVER run the engine indoors; exhaust gases contain carbon monoxide which is odorless and deadly poison. If for some reason the engine must be run indoors, open all doors and windows to provide sufficient ventilation.
15. ALWAYS remove spark plug before making any adjustments or repairs.
16. Keep all nuts, bolts and screws tight to be sure equipment is in safe working condition.
17. To reduce fire hazards, keep engine free of grass, leaves or excessive grease.

18. Have an authorized service dealer inspect the unit each year.

19. Safety and performance levels can be assured only by use of specified original replacement parts.

### CONTENTS OF SHIPPING CARTON

- 1 - 28 inch Chain Drive Rotary Tiller
- 1 - Handle Panel
- 1 - Handle Mount Plate
- 1 - Upper Handle
- 1 - Right Outer Tine Assembly
- 1 - Left Outer Tine Assembly
- 1 - Engine Manual
- 1 - Bag of Assembly Parts Containing:
  - 1 - Small Hand Grip (Shift Lever)
  - 2 - Large Hand Grips (Upper Handle)
  - 1 - Knob (Throttle Control)
  - 1 - Shift Rod
  - 1 - Shift Lever
  - 1 - Spring
  - 1 - Retainer Bracket (Shift Rod)
  - 1 - Push Nut
  - 2 - Retainer Nuts
  - 8 - 1/4 inch Locknuts
  - 6 - 5/16 inch Locknuts
  - 1 - 5/16 inch Keps Locknut
  - 2 - 3/8 inch Locknuts
  - 2 - Formed (Curved) Washers
  - 2 - 13/64 inch I.D. Flatwashers
  - 6 - 9/32 inch I.D. Flatwashers
  - 4 - No. 10 x 1/2 inch Hex Slot Head Screws
  - 2 - No. 10 Tinnerman Nuts
  - 8 - 1/4 x 1/2 inch Hex Head Screws
  - 3 - 5/16 x 5/8 inch Hex Head Screws
  - 1 - 5/16 x 1 1/4 inch Carriage Bolt
  - 2 - 5/16 x 1 1/4 inch Hex Head Screws
  - 2 - 3/8 x 1 3/4 inch Hex Head Screws



### TOOLS REQUIRED FOR ASSEMBLY

- 1 - 5/16 inch Wrench or Screwdriver
- 2 - 7/16 inch Wrenches (or adjustable wrench)
- 2 - 1/2 inch Wrenches (1 should be socket with extension)
- 2 - 9/16 inch Wrenches (or adjustable wrenches)

### **⚠ DANGER ⚠**

The operation of any powered equipment can result in foreign objects being thrown into the eyes, which can result in severe eye damage. Always wear safety glasses or eye shields before assembling or operating rotary tiller.

## OWNER'S INFORMATION

Record the following information about your unit so that you will be able to provide it in case of loss or theft

PURCHASE DATE: \_\_\_ / \_\_\_ / \_\_\_    MODEL NO. **5333-1200**    CODE NO. \_\_\_\_\_    SERIAL NO. \_\_\_\_\_  
(Circle number that appears on model plate)

DEALER'S NAME AND ADDRESS \_\_\_\_\_

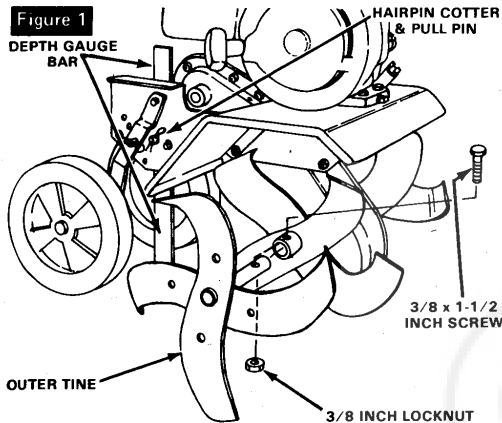
CITY \_\_\_\_\_    STATE \_\_\_\_\_    TELEPHONE \_\_\_\_\_

## ASSEMBLY

The tiller is packed partially assembled. The handles, controls, and outer tine assemblies were left unassembled for shipping purposes. For easier assembly, the step by step instructions must be followed exactly. **DO NOT** begin a second step until you have completed the preceding step. Refer to the illustrations when they are called out in a step. They will help identify parts and also show assembly methods.

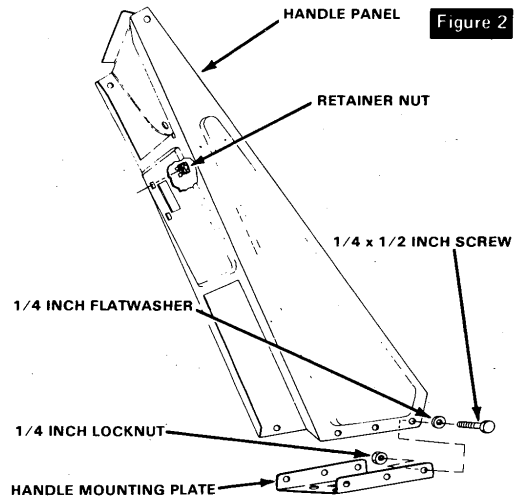
### OUTER TINE ASSEMBLY

The two outer tine assemblies were packed loose in the carton for easier packaging of the unit. There is a right and left hand assembly and each must be correctly installed for proper operation (see figure 1). To identify the loose tine assemblies as right or left tines, check them against the other two tine assemblies that are already installed on the unit. The blades of both tine assemblies must have the sharp edge facing forward when installed properly on the unit. After determining the proper side of each tine assembly, attach them to the exposed shaft end with two  $\frac{3}{8}$  inch x  $1\frac{1}{2}$  inch hex head screws and  $\frac{3}{8}$  inch locknuts provided.



### HANDLE AND CONTROLS ASSEMBLY

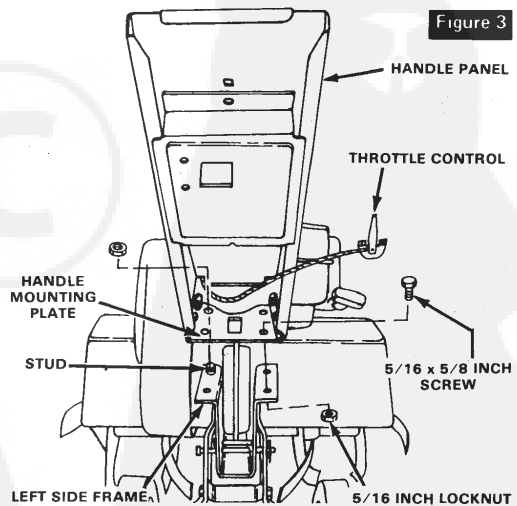
1. Snap two retainer nuts (figure 2) into small square holes in back side of handle panel. **NOTE:** Be sure to attach retainer nuts to inside of brace across back of handle panel as shown.
2. Attach handle panel to handle mounting plate (with notch in plate forward as shown in figure 2) with six  $\frac{1}{4}$  x  $\frac{1}{2}$  inch hex head screws, six  $\frac{1}{4}$  inch flatwashers (on outside) and six  $\frac{1}{4}$  inch locknuts. These screws must be tightened securely because of leverage applied during operation of tiller.
3. Remove hairpin cotter and pull pin from depth bar gauge (figure 1) and remove gauge from unit.



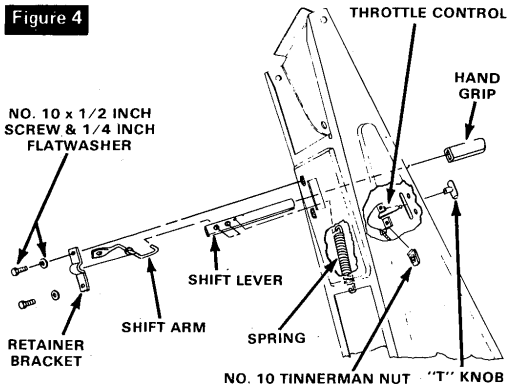
4. Thread throttle control (attached to engine) through front of handle panel between panel and mounting plate (in figure 3).

5. Place assembled handle panel and plate onto rear of unit. Place front left hole in mounting plate over stud in left side frame.

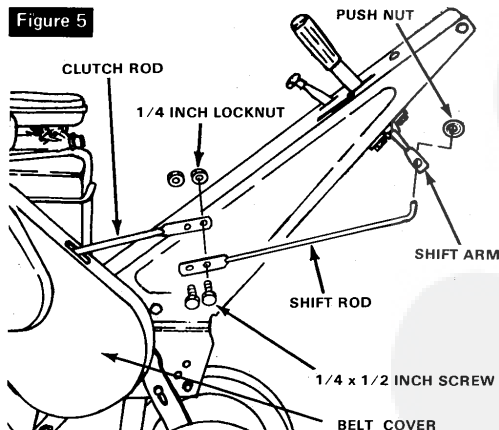
6. Secure handle panel to side frames with three  $\frac{5}{16}$  x  $\frac{5}{8}$  inch hex head screws and four  $\frac{5}{16}$  inch locknuts (extra locknut on stud in side frame). **NOTE:** These screws must be tightened securely.



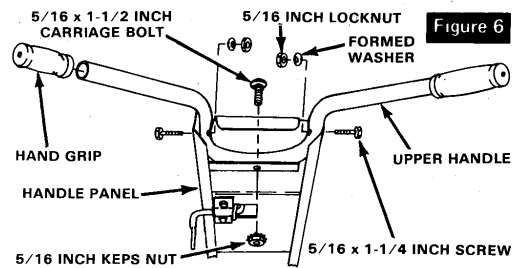
7. Replace removed depth bar gauge.
8. Place two No. 10 tinnerman nuts (figure 4) onto throttle control. **NOTE:** Be sure to place nuts onto throttle control so that flat side is up.
9. Place throttle control lever up through right slot in handle panel.
10. Attach throttle control to handle panel with two No. 10 x 1/2 inch slotted hex head screws. **NOTE:** Before tightening screws, make sure throttle lever is centered in slot so that it does not rub either side of slot.
11. Press the "T" shaped knob onto throttle lever. **NOTE:** It may be necessary to tap (lightly) knob with a plastic or rawhide hammer to make knob snap into place on lever.



12. Place shift lever onto shift arm as shown in figure 4.
13. Push shift lever up through square hole in back of handle panel and through slot in front side of panel.
14. Attach shift arm (figure 4) to back side of handle panel with retainer bracket and two No. 10 x 1/2 inch slotted hex head screws and two 1/4 inch flatwashers and into retainer nuts installed in step 1. **NOTE:** Do not tighten these screws until shift rod has been installed.
15. Attach shift rod to shift arm as shown in figure 5 with a push nut. **NOTE:** Place push nut onto shift rod flat side out.
16. Attach shift rod to clutch rod (extending from back of belt cover) with two 1/4 x 1/2 inch hex head screws and two 1/4 inch locknuts as shown in figure 5.



17. Place shift lever in NEUTRAL position and hold there while tightening screws in shift arm retainer bracket (screws left loose in step 4).
18. Place shift lever in FORWARD position and hook one end of spring (figure 4) into small hole in shift lever. Pull other end of spring down and hook into notch at center of brace across back of handle panel.
19. Return shift lever to NEUTRAL position and place small hand grip onto shift lever.
20. Place upper handle into top end of handle panel as shown in figure 6. **NOTE:** Handle height can be changed by turning upper handle over (angle down for low, angle up for high).
21. Attach center of upper handle with a 5/16 x 1 1/2 inch carriage bolt (round head) down through front of handle panel, through handle and through back brace on handle panel. Secure with a 5/16 inch keps (lockwasher attached) locknut.
22. Attach upper handle to both sides of handle panel with two 5/16 x 1 1/4 inch hex head screws, two formed (curved) washers and two 5/16 inch locknuts. **NOTE:** Formed washers must be installed on inside of handle as shown in figure 6.
23. Place a large hand grip onto each end of upper handle. **NOTE:** Grips may be difficult to install. Dipping grips into warm soapy water will help installation.



### TO CHECK SHIFT CONTROL

1. Disconnect spark plug wire and tie back if necessary to make sure wire will not contact plug.

### **⚠ DANGER ⚠**

The engine on this tiller may have been test run and enough gas could have been left in carburetor to allow engine to start if spark plug wire is not disconnected.

2. Place shift lever in NEUTRAL position.
3. Pull starter handle several times to make sure tines do not rotate.
4. Place shift lever in FORWARD position and pull starter handle. Tines should rotate forward.
5. Pull shift lever to REVERSE position and hold while pulling starter handle. Tines should rotate in reverse.
6. If any of three positions are not properly reached, adjust as follows:
  - A. Loosen screws in shift arm retainer bracket (figure 4).
  - B. Slide bracket up or down slightly and retighten screws.
  - C. Repeat steps 2 through 4 to see if all three positions can be reached.

7. Replace spark plug wire onto spark plug.

## TO SERVICE ENGINE

1. Place tiller so that engine is in a level position.
2. Fill engine crankcase with oil. See **Engine Operation and Maintenance Manual** for proper procedure. Check oil before each use and add oil as needed.
3. Fill gas tank with clean, fresh, regular grade automotive gasoline. Low-lead gasoline is an acceptable substitute. **Do not use Ethyl, high octane gasoline or Gasohol.** Be certain container is clean and free from rust or foreign particles. Never use gasoline that may be stale from long periods of storage in the container.

### **⚠ DANGER ⚠**

Never fill the gas tank while the engine is running or hot. Immediately wipe off any spilled gasoline before attempting to start engine.

## OPERATION

The operation of any powered outdoor equipment can result in foreign objects being thrown into the eyes, which can result in severe eye damage. Always wear safety glasses or eye shields before beginning tiller operation. We recommend standard safety glasses or Wide Vision Safety Mask for over spectacles.



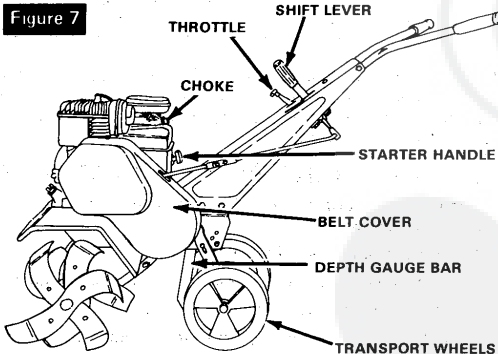
Familiarize yourself with the equipment and with the **Operational Precautions.**

## OPERATING CONTROLS

Figure 7 shows the controls on this tiller. The controls and their functions are as follows:

- **Throttle Control** - The throttle control (mounted on handle panel) regulates engine speed. Throttle control also has a stop position (pulled all the way back) to stop engine.
- **Shift Lever** - The shift lever is used to start and stop or reverse the rotation of the tines. This control is also mounted on the handle panel with three positions labeled on the control: NEUTRAL, FORWARD and REVERSE.

To change the shift lever from NEUTRAL to FORWARD, pull back on the lever just enough to clear the catch on the control panel. After the catch is cleared, pull the



lever to the left and push it down to the FORWARD position. To engage REVERSE position, pull the clutch lever back to NEUTRAL and then pull the lever backward into REVERSE. **IMPORTANT:** The clutch control lever must be held in REVERSE position while operating the tiller.

- **Starter Handle** - This tiller is equipped with a recoil starter.
- **Depth Gauge Bar** - Is used to help maintain the selected tilling depth. It also acts as a brake to help the operator control direction and speed of the tiller. It is adjusted by removing the hair pin which frees the pull pin and moving the bar up or down to the desired depth. Replace the pull pin and lock in place with hair pin.
- **Transport Wheel Assembly** - May be raised or lowered. A similar pull pin arrangement is provided. See paragraph **To Operate Tiller** for further information.

### **⚠ DANGER ⚠**

Keep hands and feet clear of tiller tines and all moving parts while starting engine.

## TO START ENGINE

Tiller was shipped with **NO OIL** in engine. **Be sure oil has been added before trying to start engine.**

1. Be certain shift lever is in NEUTRAL position.
2. **MOVE THROTTLE LEVER TO ANY POSITION BETWEEN STOP AND FAST.** NOTE: If engine is cold, the engine must be choked to get it started. Use the manual type push-pull choke located above the gas tank and below air cleaner. If the engine is warm, the choke may not be needed.
3. To start engine, stand towards the right rear of tiller. Place one hand on tiller handle to steady unit and grasp the recoil starter handle (figure 7) with other hand. Pull up sharply on the recoil starter but do not allow the starter rope to snap back. Let the rope rewind slowly while keeping hold of the starter handle. Repeat this procedure until engine starts.
4. When the engine starts, release the choke from full CHOKE position to keep engine running smoothly. Slowly move the throttle lever to the desired engine speed. If engine stalls, repeat steps 1 through 4.
5. To stop engine, place shift lever in NEUTRAL position to disengage rotating blades and move the throttle lever to the STOP position.

### **⚠ DANGER ⚠**

Never leave the tiller unattended while the engine is running. Always disengage the clutch control to stop engine.

## TILLING TIPS

There are several important facts to know about tilling before you operate this tiller. Most important is the fact that slow top speed produces the best soil texture. It is a common fault to want to till the soil to a fine consistency. This robs the soil of its moisture holding ability. The consistency of the soil during tilling is controlled by the speed of the engine. The faster the engine is run, the finer the texture will be.

Second, the speed with which an area can be tilled depends upon the depth of cut and not on the speed of the engine. A six inch cut will take about twice as long as a 3 inch cut.

Third, tilling generally is dusty work and the air filter on the engine should be checked and cleaned more often than

normal. (See the engine manual.)

The depth gauge bar located on the back of the tiller serves as a double purpose. It helps regulate the depth of the cut to a uniform level and also acts as a brake to help the operator control the speed of the tiller.

## TO OPERATE TILLER

Read the following directions completely before operating this tiller.

1. Place shift lever on the handle up to the NEUTRAL position. Start the engine. Be sure you are familiar with the engine and its controls before starting the engine.

2. After the engine is started, set engine speed to half speed or more. Tip tiller back on the wheels so the blades clear the ground. Push the shift lever down to FORWARD position and the blades will begin to turn. If blades do not turn, see **To Check Shift Control** paragraph in **Assembly** section of this manual.

3. Let the tiller down slowly. As the blades begin to make contact with ground, hold back on the tiller so the blades will dig and not ride forward over the ground. Hold back until the blades dig to desired depth. Let the machine till forward about 4 feet, being careful to maintain a uniform depth. Pull the shift lever back to NEUTRAL and stop the unit.

4. Remove the pin on the depth gauge bar (figure 7) and push the bar down to the bottom of the cut. Reset pin.

5. Move the shift lever to FORWARD and begin tilling operation. Keep a downward pressure on the handle to keep the depth gauge bar down in the bottom of the cut to maintain the desired depth of cut. Observe the consistency of the soil. If it is too coarse, speed up the engine. If it is too fine, slow the engine down.

6. The tiller will do a better job and operation will be easier if a slight side-to-side movement is maintained on the handle. This is especially true when making a cut next to tilled soil as the tiller will have a tendency to drift toward the loose soil.

7. We advise against tilling soil that is too dry as the soil pulverizes and produces a dust that will not hold water. Likewise, tilling soil that is too wet will produce unsatisfactory clods besides being hard on the machine.

8. Better growth will be obtained in tilled ground if a relatively small area is tilled properly and the tilled ground used soon after tilling to preserve the moisture content.

9. Some soil conditions may require that the tiller be operated with the transport wheels raised. Some people find it easier or desirable to always till with the wheels raised. To raise the wheels, remove the hairpin cotter on the pull pin and remove the pull pin from chassis. The entire wheel assembly will be free to be pulled up out of the way. Replace pin through hole in chassis where wheels will be held at desired height and replace hairpin cotter. **NOTE:** Full upright, with pull pin located through depth gauge bar, should be used for transporting tiller.

## ADJUSTMENTS



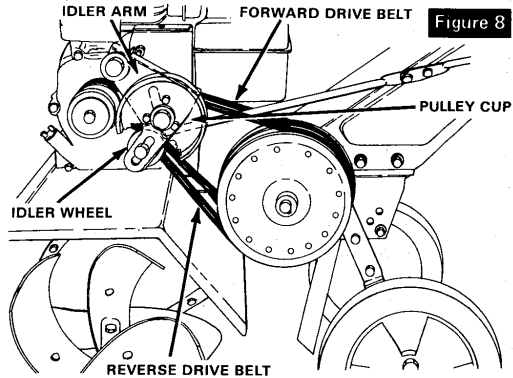
**DANGER**  
Always disconnect spark plug wire before making any adjustments to the tiller.

The drive belts on this tiller may stretch with use and require adjustment.

## FORWARD DRIVE BELT ADJUSTMENT

The forward drive belt (belt nearest engine) can be adjusted as follows:

1. Remove belt cover (figure 7).
2. Loosen screw that attaches idler wheel to idler arm (figure 8).
3. Slide idler wheel up in slot on idler arm to tighten belt and retighten screw.
4. Replace belt cover.



## REVERSE DRIVE BELT ADJUSTMENT

The reversing drive belt (belt farthest from engine) can be adjusted as follows:

1. Remove belt cover (figure 7).
2. Loosen screw that attaches pulley cup to idler arm (figure 8).
3. Slide pulley cup up in slot on idler arm to tighten belt and retighten screw.
4. Replace belt cover.

## SHIFT ROD ADJUSTMENT

To adjust shift rod see **To Check Shift Control** paragraph in **Assembly** section of this manual.

## MAINTENANCE



**DANGER**  
Always disconnect spark plug wire before adjusting, repairing or cleaning unit.

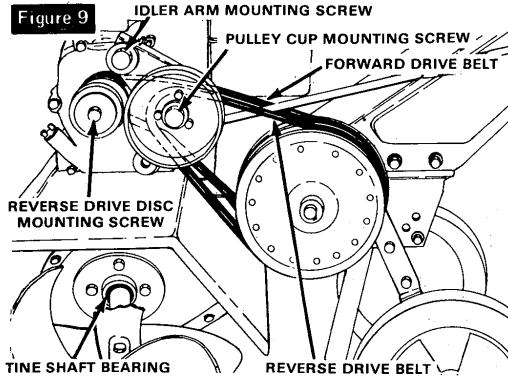
The v-belts on your tiller should be checked occasionally for signs of wear. When the belts become worn they must be replaced with an original equipment part (see **Repair Parts** section for proper parts).

## FORWARD DRIVE BELT REPLACEMENT

To replace forward drive belt (belt nearest to engine), proceed as follows:

1. Remove belt cover (figure 7).
2. Remove screw attaching idler arm (figure 9) to engine.
3. Roll belt off pulleys and remove belt.
4. Install new belt onto pulley and replace idler arm.

**NOTE:** Be sure that idler wheel is positioned below new belt.  
5. Replace belt cover.



### REVERSE DRIVE BELT REPLACEMENT

To replace reversing drive belt (belt farthest from engine), proceed as follows:

1. Remove belt cover (figure 7).
2. Remove screw that attaches pulley cup (figure 9) to idler arm and remove cup.
3. Remove old belt and install new belt and replace pulley cup.
4. Replace belt cover.

### REVERSE DRIVE DISC REPLACEMENT

When reversing drive disc (located at outside end of engine shaft) becomes worn or needs replacement, it must be replaced with an original equipment part. See **Repair Parts** section of this manual for proper parts. **To replace disc:**

1. Remove belt cover (figure 7).
2. Remove screw from end of engine shaft.
3. Remove old disc and replace with new part.
4. Replace screw in engine shaft and replace belt cover.

### GENERAL CARE AND LUBRICATION

The engine on your tiller should be lubricated and cared for as outlined in your engine manual. Pay special attention to cleaning the air filter.

Once each season or every 20 hours of operation apply a few drops of oil (same oil as used in crankcase) on the following:

1. Each end of idler wheel (figure 8) mounting screw.
2. Idler arm mounting screw (figure 9).
3. Pulley cup mounting screw (figure 9).
4. Remove top screw from tine shaft bearing (figure 9) on each side and squirt a few drops of oil through hole. Replace and tighten screw securely.

Longer tiller life will be experienced if your tiller engine is cared for properly and oil level checked before each use and maintained at proper intervals.

Keep all tine assembly mounting screws tight to prevent excessive wear and keep the tines sharp for best tilling results.

## STORAGE

The tiller should be immediately prepared for storage at the end of the season or if the tiller is to be un-used for 30 days or more.

### ⚠ DANGER ⚠

Never store engine with fuel in the tank indoors or in enclosed, poorly ventilated enclosures, where fuel fumes may reach an open flame, spark or pilot light as on a furnace, water heater, clothes dryer, etc.

Handle gasoline carefully. It is highly flammable and careless use could result in serious fire damage to your person and/or property.

### ENGINE STORAGE

Gasoline, if permitted to stand un-used for extended periods (30 days or more), may develop gummy deposits which can adversely affect the engine carburetor and cause engine malfunction. To avoid this condition, proceed as follows:

1. Prior to shut down for 30 days or more, and for seasonal storage, drain gas tank if possible.
2. Run engine until fuel tank is completely empty and engine stops due to lack of fuel.
3. Remove spark plug and pour one (1) ounce of engine oil through spark plug hole into cylinder. Crank engine several times to distribute oil. Replace spark plug.

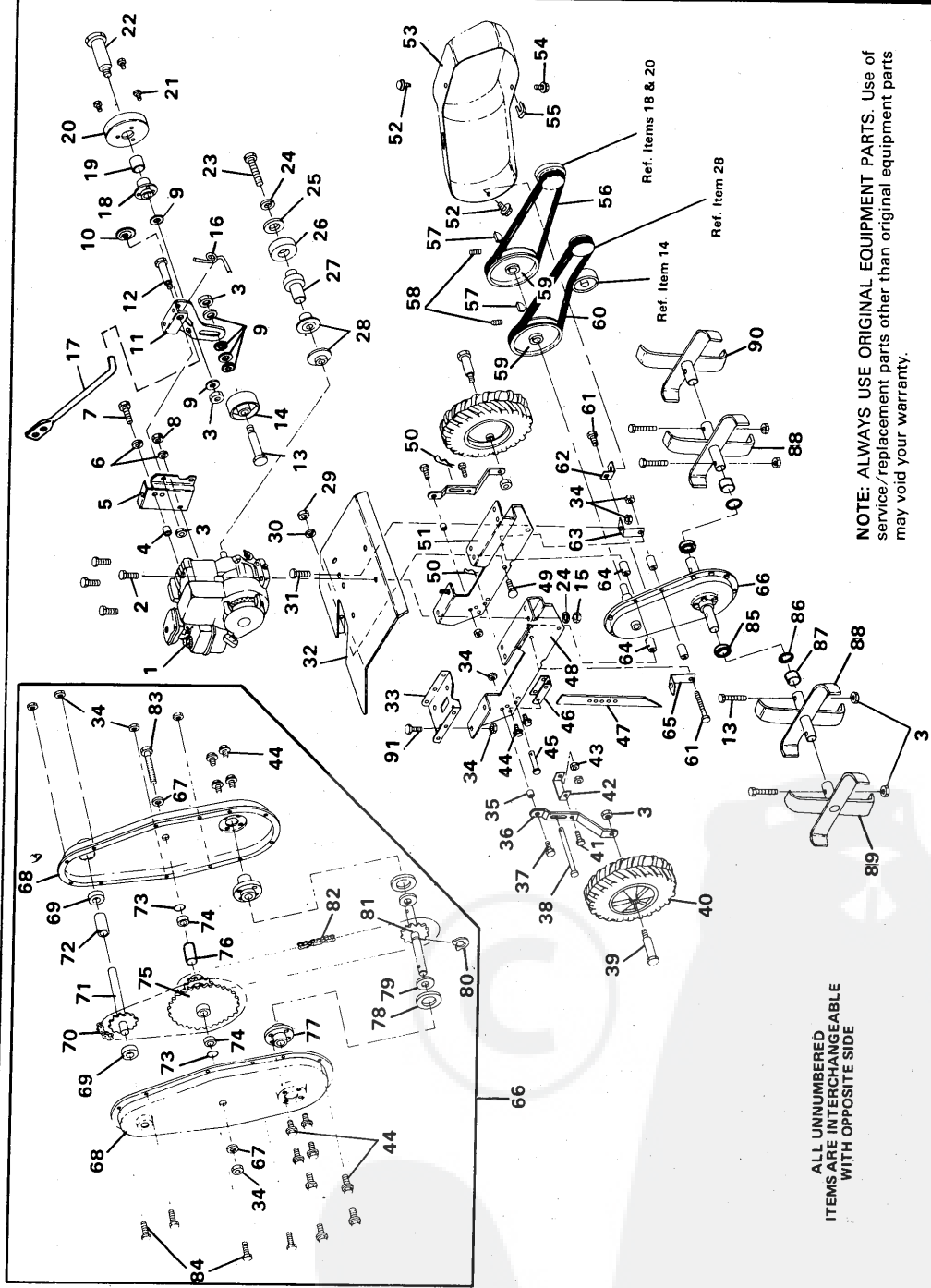
### TILLER STORAGE

1. Clean the tiller thoroughly; remove all debris and wipe the tiller dry.
2. Inspect the tiller for worn or damaged parts; tighten all loose hardware.
3. Store the tiller in a protected area and cover the tiller for additional protection.
4. Store tiller in wheel down, operating position. If tiller is stored in any other position, oil from crankcase could enter cylinder head, causing a service problem.

A yearly checkup or tuneup by a qualified repairman is a good way of insuring that your tiller will provide maximum performance for the next season.

SELF-PROPELLED CHAIN DRIVE TILLER MODEL 5333-1200 or 5333-1300

REPAIR PARTS



NOTE: ALWAYS USE ORIGINAL EQUIPMENT PARTS. Use of service/replacement parts other than original equipment parts may void your warranty.

ALL UNNUMBERED ITEMS ARE INTERCHANGEABLE WITH OPPOSITE SIDE



## SELF-PROPELLED CHAIN DRIVE TILLER MODEL 5333-1200 or 5333-1300

ALWAYS GIVE THE FOLLOWING INFORMATION WHEN ORDERING REPAIR PARTS:

1. The PART NUMBER;
  2. The PART NAME;
  3. QUANTITY DESIRED;
  4. The MODEL NUMBER—(As shown on Model Plate)
- SEND PART ORDERS AS PER INSTRUCTIONS ON THE FRONT PAGE

YOUR UNIT IS RIGHT HAND (RH) OR LEFT HAND (LH) AS YOU STAND BEHIND IT.

DO NOT USE KEY NUMBERS WHEN ORDERING REPAIR PARTS; ALWAYS USE PART NUMBERS.

All replacement parts will be supplied in current production colors or in a neutral color.

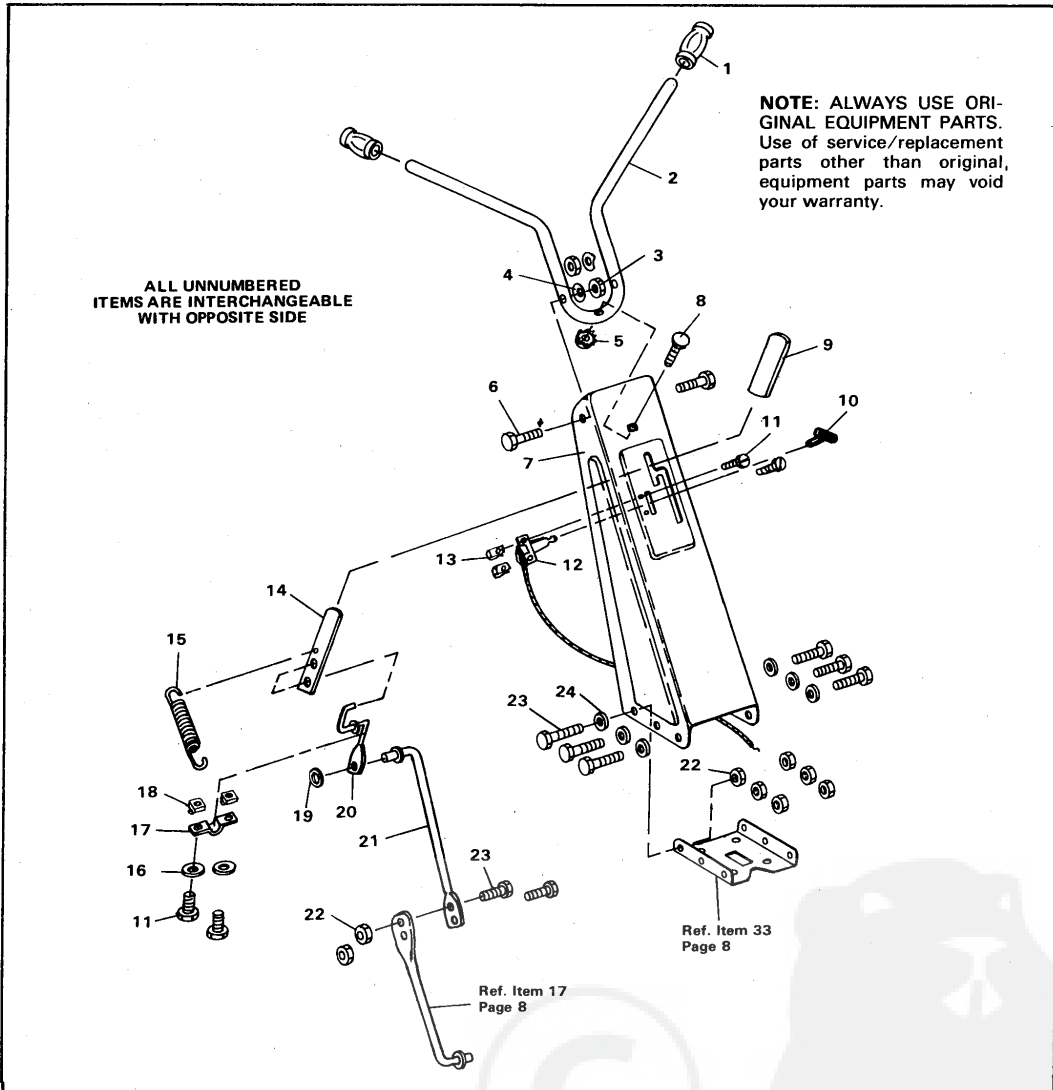
A handling fee is applicable to small parts orders.

Key No.	Part No.	Description	Key No.	Part No.	Description
1	Engine	See Footnote Below	32	51171	Tine Shield
2	122040	*Screw, Hex Hd, 5/16-18 x 1 1/2 In.	33	51159	Plate, Handle Mount
3	9413534	Locknut, 5/16-18 Thd	34	9413447	Locknut, 5/16-18 Thd
4	51461	Spacer	35	51375	Spacer
5	51164	Bracket, Mounting	36	51162	Arm, Wheel
6	120380	*Washer, Split, 1/4 I.D.	37	122007	Pin
7	180042	Screw, Hex Hd, 1/4-20 x 1 3/4 In.	38	51148	Shoulder Bolt
8	120375	*Nut, Hex, 1/4-20 Thd	39	-27821	Wheel & Tire Assembly, Plastic
9	446363	*Washer, 3/8 In. I.D.	40	50031	*Screw, Hex Hd, 3/8-24 x 7/8 In.
10	51186	Pushnut	41	120758	Locknut, 3/8-24 Thd
11	51160	Idler Arm	42	51174	Screw, Tapitite, 5/16-18 x 1/2 In.
12	51188	Shoulder Bolt	43	9412349	Channel
13	122168	*Screw, Hex Hd, 5/16-18 x 1 3/4 In.	44	35497	Depth Gauge Bar
14	48924	Idler Wheel	45	51149	Frame, R.H.
15	120376	*Nut, Hex, 5/16-18 Thd.	46	51172	*Carriage Bolt, 1/4-20 x 1/2 In.
16	51166	Belt Guide	47	51163	Hairpin Cotter, 3/32 x 1 1/8 In.
17	51161	Rod, Clutch	48	51176	Frame, L.H.
18	51156	Pulley Half	49	9417711	Screw, Tapitite, No. 10-24 x 3/8 In.
19	51157	Bearing	50	8260	Belt Cover
20	51158	Cup, Pulley	51	51697	*Screw, Tapitite, No. 10-16 x 1/2 In.
21	35258	Screw, Tapitite, No. 10-32 x 3/8 In.	52	35144	Speed Nut, "U" Type
22	51189	Shoulder Bolt	53	52598	Key, No. 506
23	123785	*Screw, Hex Hd, 5/16-24 x 1 1/2 In.	54	9426217	Set Screw, 5/16-18 x 5/16 In.
24	120638	*Washer, Split, 5/16 I.D.	55	51194	Pulley, 7 1/2 O.D.
25	51143	Washer	56	50877	V-Belt
26	51145	Disc, Reverse Drive	57	24276	V-Belt
27	51144	Hub	58	998503	Key, No. 506
28	51142	Pulley Half	59	51170	Set Screw, 5/16-18 x 5/16 In.
29	9424215	Locknut, 1/4-20 Thd	60	50878	V-Belt
30	120392	*Washer, 9/32 I.D.	61	122089	*Screw, Hex Hd, 5/16-18 x 3/8 In.
31	120228	*Screw, Hex Hd, 5/16-18 x 3/8 In.	62	51173	Bracket

\*Standard Hardware Items - May Be Purchased Locally.

Replacement engines and parts are obtainable from Engine Manufacturer's authorized Service Stations who are also to be contacted in regards to the Engine Warranty. See your Engine Manual for location of these stations.

**SELF-PROPELLED CHAIN DRIVE TILLER MODEL 5333-1200 or 5333-1300**



Key No.	Part No.	Description
1	49938	Grip, Hand
2	51184	Handle, Upper
3	9413447	Locknut, 5/16-18 Thd
4	8728	Formed Washer
5	271184	Nut, Keps, 5/16-18 Thd
6	122027	*Screw, Hex Hd, 5/16-18 x 1 1/4 In.
7	51139	Handle Panel Assembly
8	120230	*Carriage Bolt, 5/16-18 x 1 1/4 In.
9	2540	Grip, Hand
10	39486	Knob, Throttle Control
11	35291	Screw, Hex Slotted Hd, No. 10-24 x 1/2 In.
12	51185	Throttle Control Assembly

Key No.	Part No.	Description
13	49889	Nut, Tinnerman, No. 10-24
14	51147	Lever, Shift
15	51150	Spring
16	9417373	*Washer, 13/64 In. I.D.
17	51175	Retainer Bracket, Shift Arm
18	51187	Nut, Retainer, No. 10-24 Thd
19	51186	Push Nut, 3/8 In. I.D.
20	51146	Arm, Shift Lever
21	51161	Rod, Shift
22	9424215	Locknut, 1/4-20 Thd
23	180016	Screw, Hex Hd, 1/4-20 x 1/2 In.
24	120392	*Washer, 9/32 I.D.

\*Standard Hardware Items - May Be Purchased Locally.

SEE, CALL OR WRITE ONE OF THE FOLLOWING DISTRIBUTORS FOR PARTS FOR: HOMKO - LAWN SCOUT - AMF - TURFMASTER - DYNAMARK - OR ANY OTHER WESTERN INTERNATIONAL INCORPORATED PRODUCT.

#### ALABAMA

**Automotive Elect. Service**, 415 Meridian St., Huntsville, AL 35801, (205) 539-2131, AL WATS 800-536-3394 \*b,c,f,g,h  
**Warlick-Miller A/C Eng.**, 630 N. 20th St., Bessemer, AL 35020, (205) 424-8288, AL WATS 800-292-8123  
**MS WATS 800-292-4494** \*b,c,f,g,h

#### CALIFORNIA

**Billiou's**, 75 No. D, Porterville, CA 93257, (209) 784-4102 \*b,c,f,g,h

#### FLORIDA

**G.L.O. Products Inc.**, 13201 Belcher Rd. S., Largo, FL 33543, (813) 530-9723 \*a,c,h

**Radco Distributors Inc.** 4909 Victor St., Box 5459, Jacksonville, FL 322070459, (904) 733-7957 \*a,c,f,g,h

#### GEORGIA

**Walthour & Hood Co.**, 206-260 Rogers St. NE, Box 2202, Atlanta, GA 30301, (404) 378-2571 \*a,c,h

#### ILLINOIS

**Cox Tire & Battery**, 603 N. Market, Marion, IL 62959, (618) 993-2607  
**IL WATS 800-642-4351** \*a,c,f,g,h

**Garmoe Distr. Inc.**, 2620 N. Mannheim Road, Franklin Park, IL 60131, (312) 455-3588 \*a,c,f,g,h

**Quality Lawnmower Distr.**, 2245 N. Central Ave., Rockford, IL 61103, (815) 963-4403 \*b,c,f,g,h

#### INDIANA

**Thompson Sales & Service**, 2400 W. Ridge Road, Gary, IN 46408, (219) 980-3282 \*a,c,f,g,h

#### IOWA

**Bruce Engine Inc.** 1791 N.W. 86th, Des Moines, IA 50322, (515) 223-6104 \*a,c,f,g,h

#### KANSAS

**Colladay Hdwe. Co.**, 201 N. Plum, Box 766, Hutchinson, KS 67501, (316) 663-4477 \*a,c

#### KENTUCKY

**Auto-Electric Inc.**, 715 W. Hwy 80, Box 671, Somerset, KY 42501, (606) 679-1171 \*c,f,g,h

**Cayce Mill Supply Co.**, 1st & Douglas St., Hopkinsville, KY 42240, (502) 886-3335 \*f,g,i

#### LOUISIANA

**H.G. Distributors Inc.**, 8731 Greenwell Spring Rd, Baton Rouge, LA 70814, (504) 927-6771 \*a,c

#### MARYLAND

**Center Supply Co.**, 6867 New Hampshire Ave., Takoma Park, MD 20912, (301) 270-1690 \*b,c,f,g,h

**Kunkel Service Co.**, 6252 Frankford Ave., Baltimore, MD 21206, (301) 377-4008, MD WATS 800-492-8886 \*b,c,f,g,h

#### MASSACHUSETTS

**Morton B. Collins Co.**, 300 Birnie Ave., Box 126, Springfield, MA 01107, (413) 732-7449 \*a,c,g,h

#### MICHIGAN

**Automotive Prod. Co., A/C Engine Div.**, 615 First St., Menominee, MI 49858, (906) 863-8011, MI WATS (906 area only) 800-562-4825 \*a,c,f,g,h

**Beard Campbell Co.**, 2975 Lapeer, Box 947, Port Huron, MI 48060, (313) 985-7105 \*b,c

**Heat Engineering Inc.**, 7700 Southfield Road, Detroit, MI 48228, (313) 271-7500 \*a,c,f,g,h

**Lorenz Service Co.**, 2500 S. Pennsylvania Ave., Lansing, MI 48910, (517) 484-1361 \*b,c,f,g,h

#### MINNESOTA

**Northern Automotive Co.**, 1401 W. Broadway, Minneapolis, MN 55411, (612) 522-6666 \*a,c,f,g,h

#### MISSISSIPPI see Bessemer, Alabama

#### MISSOURI

**Gunther's Service & Supply**, 7320 Wor-nall Road, Kansas City, MO 64114, (816) 523-1952 \*a,f,g,h

**Wilson Eng. & Parts Inc.**, 13733 Shore-line Ct. E., Jct. I-70 & 270, Earth City, MO 63045, (314) 739-1313, WATS (outside MO only) 800-367-2787 \*a,b,d,f,g,h

#### NEW JERSEY

**Lawnmower Parts Inc.**, 717 Creek Road, Bellmawr, NJ 08031, (609) 931-0571 \*a,c,f,g

#### NEW YORK

**Loegler & Ladd Inc.**, 3950 Broadway, Box 214, Buffalo, NY 14225, (716) 684-0600 \*a,c

**Stiefvater Distr. Inc.**, Clinton Road, Route 12B, New Hartford, NY 13413, (315) 853-5581 \*a,c,f,g,h

#### NORTH CAROLINA

**Carswell Distr. Co.**, 3750 N. Liberty St., Box 4193, Winston-Salem, NC 27105, (919) 767-7700 \*g,i

**Dixie Sales Co., Inc.**, 335 N. Green, Box 1408, Greensboro, NC 27402, (919) 274-0490 \*b,c,f,g,h

#### OHIO

**Small Engine Distr.**, 2430 Tremainsville Rd., Box 5815, Toledo, OH 43613, (419) 475-7261 \*b,c,f,g,h

**Small Engine Distr.**, 5250 N. Dixie, Box 1481, Dayton, OH 45414, (513) 278-8241 \*b,c,f,g,h

#### OKLAHOMA

**Albro's**, 2921 W. Hefner Rd., Oklahoma City, OK 73120, (405) 751-1711 \*a,c,f,g,h

#### PENNSYLVANIA

**Bluemont Co.**, 11125 Frankstown Road, Pittsburg, PA 15235, (412) 242-2522 \*a,b,c,f,g,h

**Scranton Auto Ignition**, 1133 Wyoming Ave., Scranton, PA 18509, (717) 342-8133 \*b,c,f,g,h

#### SOUTH CAROLINA

**Magneto & Elect. Service**, 103 Assembly St., Columbia, SC 29201, (803) 771-4044, SC WATS 800-922-1118 \*a,c,f,g,h

#### TENNESSEE

**American Sales & Serv.**, 3035 Bellbrook Dr., Memphis, TN 38116, (901) 332-2210 \*a,d,f,g,h

**Chilton A/C Engines**, 319 4th Ave. S., Box 15806, Nashville, TN 37201, (615) 254-1634 \*b,c,f,g,h

**Master Repair Serv.**, 2000 Western Ave., Knoxville, TN 379215797, (615) 523-7930, TN WATS 800-332-9904 \*a,c,f,g,h

#### TEXAS

**Marr Bros. Inc.**, 423 E. Jefferson, Dallas, TX 75203, (214) 948-7387 \*a,c,f,g,h

**Midland Small Engine Sales**, 106 Carlton, Box 4215, Midland, TX 79704, (915) 682-1409 \*b,c,f,g,h

#### VIRGINIA

**Norva Small Engines**, 8120 E. Wellington Rd., Manassas, VA 22110, (703) 369-3387 \*a,c,f,g,h

**RBI Corporation**, 101 Cedar Ridge Rd., Lakeridge Park, Ashland, VA 23005, (804) 798-1535 \*a,c,f,g,h

#### WASHINGTON

**Bitco-Western** 4030 1st Ave. S., Box 24707, Terminal Annex, Seattle, WA 98134, (206) 682-4677 \*a,c,f,g,h

#### WEST VIRGINIA

**Interstate Radiator**, 1611 4th Ave., Charleston, WV 25312, (304) 345-1724 \*a,d,f,g,h

#### WISCONSIN

**Reliable Hdwe.**, 8010 N. 76th St., Milwaukee, WI 53223, (414) 355-2900 \*b,c,f,g,h

**Wiggert Brothers**, 3rd & Jay, Box 1267, La Crosse, WI 54601, (608) 784-4790 \*a,b,c,f,g,h

#### CANADA

**Sunterest Equipment Ltd.**, 5466 Timberlea Blvd., Mississauga, Ontario, Canada L4W 2T7, (416) 624-6200 \*g,i

**Yetman's Ltd.**, 949 Jarvis Ave., Winnipeg, Manitoba, Canada R2X 0A1, (204) 586-8046, WATS (Manitoba & Sask.) 800-665-8623 \*b,c,f,g

Revised 12/1/83

#### (\*) General Information Codes:

- (a) Advance Payment Preferred
- (b) Accepts Credit Cards
- (c) C.O.D. okay
- (d) No C.O.D.
- (e) C.O.D. only
- (f) Briggs & Stratton dealer or distributor
- (g) Tecumseh/Peerless dealer or distr.
- (h) Foote dealer or distributor
- (i) Dealer sales only, contact for closest dealer.

