

**OWNER'S MANUAL**  
**26" - 8 H.P. SNOW THROWER**  
**MODEL 5361-46**

**WARRANTY**

**TWO YEAR LIMITED WARRANTY**

For two (2) years from date of purchase by the first consumer for residential use (thirty (30) days commercial use), Western International Incorporated warrants that it will replace free of charge, including labor, any original part of any Western International Incorporated product found to be defective by any authorized Service Dealer or the factory.

This warranty does not cover engine or transmission (these items are covered by their manufacturer's own warranty). This warranty does not cover parts that have failed due to normal wear or parts that have failed due to misuse, abuse or failure to maintain and lubricate equipment as instructed in owner's manual. Transportation of the unit to and from an authorized Service Dealer or the factory is the responsibility of the owner.

A step by step explanation as to what procedure should be followed for this Warranty is:

1. If a part becomes defective, contact the store where the unit was purchased for the name and address of the authorized Service Dealer nearest to you.
2. If you cannot locate an authorized Service Dealer, write Service Department of Western International Incorporated for the name and address of the authorized Service Dealer in your area or call the Service Department at 1-800-247-7464.
3. Return the defective product, along with proof of purchase to such authorized Service Dealer for replacement of any defective part where covered by this warranty.

There is no other express warranty. Implied warranties, including those of merchantability and fitness for a particular purpose are limited to two (2) years from date of purchase. Liability for incidental or consequential damages are excluded.

Some states do not allow limitations on how long an implied warranty lasts, so the above limitation may not apply to you. Some states do not allow the exclusion of incidental or consequential damages, so the above exclusion may not apply to you. This warranty gives you specific legal rights, and you may have other rights which vary from state to state.

Western International Incorporated

P.O. Box 377

Des Moines, Iowa 50302

**UNIT PARTS AND SERVICE**

This manual contains instructions for safety, assembly and maintenance. Read this manual carefully and completely so that you will know proper assembly, use and care of your unit. Also fill in and mail the registration card packed with the unit. For service other than covered in this manual, contact an authorized service dealer. A nationwide parts and service organization has been established to provide locally available parts and service. A list of authorized parts distributors has been included in this manual. When ordering repair parts, always give the following information: 1. The Part Name; 2. The Part Number; 3. The Quantity desired; 4. The Full (eight digit) Model Number of the unit. The model number will be found on a plate attached to the unit.

Look for this symbol.



It means - **ATTENTION! BECOME ALERT! A HAZARD TO OPERATOR, BYSTANDERS, PROPERTY OR EQUIPMENT MAY EXIST.**

WESTERN INTERNATIONAL INCORPORATED  
P.O. BOX 377

DES MOINES, IOWA 50302

Part No. 62930

3286



## OPERATIONAL PRECAUTIONS

THESE INSTRUCTIONS ARE FOR YOUR PROTECTION. PLEASE READ THEM CAREFULLY.



### TRAINING

1. Read the owner's manual carefully. Be thoroughly familiar with the controls and the proper use of the snow thrower. Know how to stop the snow thrower and disengage the controls quickly.
2. Never allow children or young teenagers to operate the snow thrower and keep them away while it is operating. Never allow adults to operate the snow thrower without proper instruction. Do not carry passengers.
3. Keep the area of operation clear of all persons, particularly small children, and pets.
4. Exercise caution to avoid slipping or falling, especially when operating in reverse.

### PREPARATION

1. Thoroughly inspect the area where the snow thrower is to be used and remove all doormats, sleds, boards, wires, and other foreign objects.
2. Disengage all clutches and shift into neutral before starting the engine (motor).
3. Do not operate the snow thrower without wearing adequate winter outer garments. Wear footwear that will improve footing on slippery surfaces.
4. Handle fuel with care; it is highly flammable.
  - (a) Use an approved fuel container.
  - (b) Never remove fuel tank cap or add fuel to a running engine or hot engine.
  - (c) Fill fuel tank outdoors with extreme care. Never fill fuel tank indoors.
  - (d) Replace fuel tank cap securely and wipe up spilled fuel.
  - (e) Never store fuel or snow thrower with fuel in the tank inside of a building where fumes may reach an open flame or spark.
  - (f) Check fuel supply before each use, allowing space for expansion as the heat of the engine (motor) and/or sun can cause fuel to expand.
5. Use extension cords and receptacles as specified by the manufacturer for all snow throwers with electric drive motors or electric starting motors.
6. Adjust the snow thrower height to clear gravel or crushed rock surface.
7. Never attempt to make any adjustments while the engine (motor) is running (except when specifically recommended by manufacturer).
8. Let engine (motor) and snow thrower adjust to outdoor temperatures before starting to clear snow.
9. Always wear safety glasses or eye shields during operation or while performing an adjustment or repair to protect eyes from foreign objects that may be thrown from the snow thrower.

### OPERATION

1. Do not put hands or feet near or under rotating parts. Keep clear of the discharge opening at all times.
2. Exercise extreme caution when operating on or crossing gravel drives, walks, or roads. Stay alert for hidden hazards or traffic.
3. After striking a foreign object, stop the engine (motor), remove the wire from the spark plug, disconnect the cord on electric motors, thoroughly inspect the snow thrower for any damage, and repair the damage before restarting and operating the snow thrower.

4. If the snow thrower should start to vibrate abnormally, stop the engine (motor) and check immediately for the cause. Vibration is generally a warning of trouble.
5. Stop the engine (motor) whenever you leave the operating position, before unclogging the auger/impeller housing or discharge guide, and when making any repairs, adjustments, or inspections.
6. When cleaning, repairing, or inspecting, make certain the auger/impeller and all moving parts have stopped. Disconnect the spark plug wire and keep the wire away from the plug to prevent accidental starting.
7. Take all possible precautions when leaving the snow thrower unattended. Disengage the auger/impeller, shift to neutral, stop engine, and remove key.
8. Do not run the engine indoors, except when starting the engine and for transporting the snow thrower in or out of the building. Open the outside doors; exhaust fumes are dangerous (containing CARBON MONOXIDE, an ODORLESS and DEADLY GAS).
9. Do not clear snow across the face of slopes. Exercise caution when changing direction on slopes. Do not attempt to clear steep slopes.
10. Never operate the snow thrower without proper guards, plates or other safety protective devices in place.
11. Never operate the snow thrower near glass enclosures, automobiles, window wells, drop-offs, and the like without proper adjustment of the snow discharge angle. Keep children and pets away.
12. Do not overload the machine capacity by attempting to clear snow at too fast a rate.
13. Never operate the snow thrower at high transport speeds on slippery surfaces. Look behind and use care when backing.
14. Never direct discharge at bystanders or allow anyone in front of the snow thrower.
15. Disengage power to the auger/impeller when snow thrower is transported or not in use.
16. Use only attachments and accessories approved by the manufacturer of the snow thrower (such as tire chains, electric start kits, etc.).
17. Never operate the snow thrower without good visibility or light. Always be sure of your footing, and keep a firm hold on the handles. Walk; never run.

### MAINTENANCE AND STORAGE

1. Check shear bolts and other bolts at frequent intervals for proper tightness to be sure the snow thrower is in safe working condition.
2. Never store the snow thrower with fuel in the fuel tank inside a building where ignition sources are present such as hot water and space heaters, clothes dryers, and the like. Allow the engine to cool before storing in any enclosure.
3. Always refer to owner's manual instructions for important details if the snow thrower is to be stored for an extended period.
4. Maintain or replace safety and instruction labels, as necessary.
5. Run the snow thrower a few minutes after throwing snow to prevent freeze-up of the auger/impeller.

## OWNER'S INFORMATION

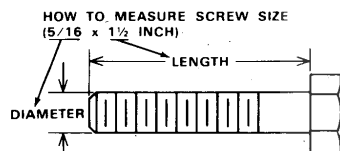
Record the following information about your unit so that you will be able to provide it in case of loss or theft.

MODEL NUMBER: - (Enter complete 8 digit model number from model plate on unit)  
 PURCHASE DATE: \_\_\_ / \_\_\_ / \_\_\_ CODE NO. \_\_\_\_\_ SERIAL NO. \_\_\_\_\_  
 DEALER'S NAME AND ADDRESS \_\_\_\_\_  
 CITY \_\_\_\_\_ STATE \_\_\_\_\_ TELEPHONE \_\_\_\_\_

## ASSEMBLY

### CONTENTS OF SHIPPING CARTON

- 1 - 26 inch Snow Thrower (completely assembled except for handles, controls and chains)
- 1 - Pair Tire Chains
- 1 - Upper Chute Control Rod
- 1 - Left Lower Handle
- 1 - Right Lower Handle
- 1 - Upper Handle Assembly
- 1 - Control Panel Assembly
- 1 - Engine Manual
- 1 - Owner's Manual
- 1 - Bag of Assembly Parts Containing:
  - 1 - Hand Grip
  - 1 - Cable Clamp
  - 1 - Knob (for Impeller/Auger Drive Lever)
  - 1 - Cable Anchor Bracket
  - 1 - 1/8 x 1 inch Cotterpin
  - 5 - Formed (curved) Washers
  - 2 - No. 10 x 1/2 inch Hex Head Screws
  - 2 - No. 10 Keps Nuts (star washer attached)
  - 2 - 1/4 x 1 3/8 inch Hex Head Screws
  - 2 - 1/4 inch Locknuts
  - 2 - 5/16 x 5/8 inch Washer Head Screws
  - 1 - 5/16 x 3/4 inch Hex Head Screw
  - 2 - 5/16 x 1 1/4 inch Hex Head Screws
  - 4 - 5/16 x 1 3/4 inch Hex Head Screws
  - 5 - 5/16 inch Locknuts
  - 4 - 5/16 inch Wide Flange Locknuts
  - 2 - 5/16 inch Split Lockwashers
- 1 - Bag of Shear Bolt Replacement Parts (not used in assembly) Containing:
  - 2 - 5/16 x 1 3/4 inch Shear Bolts
  - 2 - 5/16 inch Locknuts
  - 1 - Instruction Sheet

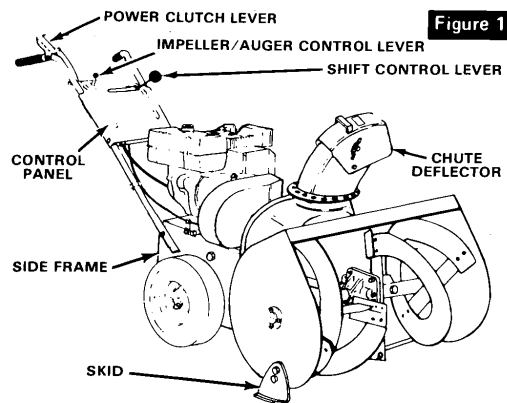


### TOOLS REQUIRED FOR ASSEMBLY

- 1 - 3/8 inch Wrench (or adjustable wrench)
- 1 - 5/16 inch Wrench (or adjustable wrench)
- 2 - 1/2 inch Wrenches (or adjustable wrenches)
- 2 - 7/16 inch Wrenches (or adjustable wrenches)
- 1 - Pair Pliers or Screwdriver (to spread cotterpins)

**⚠ DANGER ⚠**  
 Always wear safety glasses or eye shields while assembling snow thrower.

Figure 1 shows the Snow Thrower completely assembled. Instructions refer to right or left hand as you face the snow thrower from operator position. **NOTE:** Assembly will be easier with the assistance of a second person.

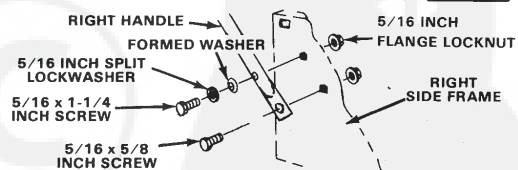


**Figure 1**

### HANDLE ASSEMBLY

Lower handles are straight tubes, flat on lower end and curved on top end. Left lower handle has two holes about middle of tube (for mounting upper chute control rod). Upper handle is "U" shaped and has a lever (power clutch) attached to right side.

1. Attach right lower handle to side of side frame as shown in figure 2. **NOTE:** Hold down on upper end of lower handle when tightening screws. Make sure screws are tight to prevent movement of handle.
2. Attach left lower handle in same manner.

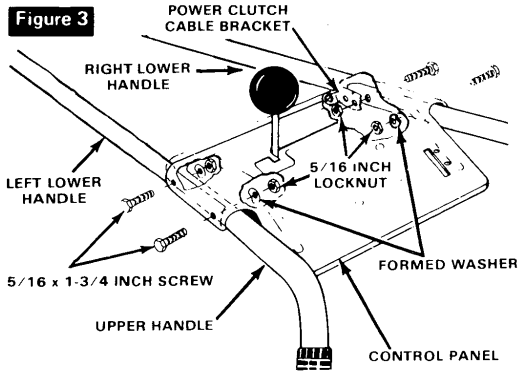


**Figure 2**

### CONTROLS ASSEMBLY

Assembly of upper handle and control panel will be easier with the assistance of a second person.

1. Place upper handle between upper ends of lower handles (power clutch lever on right side).
2. Place control panel (figure 3) in position over upper and lower handles.
3. Attach control panel to upper and lower handles with 5/16 x 1 3/4 inch screws, formed washers and 5/16 inch locknuts as shown in figure 3. **NOTE:** Install upper screw only on right side and do not tighten lower screw.

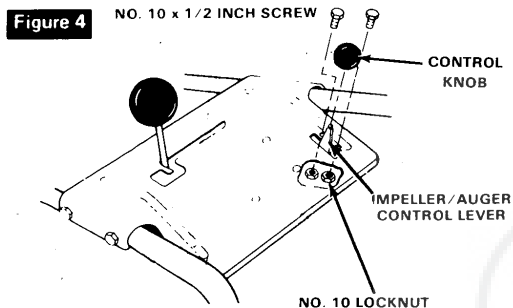


4. Attach power clutch cable anchor bracket to lower hole in control panel, upper and lower handles right side (as shown in figure 3) with a 5/16 x 1 3/4 inch screw and a 5/16 inch locknut.

5. Tighten all screws securely.

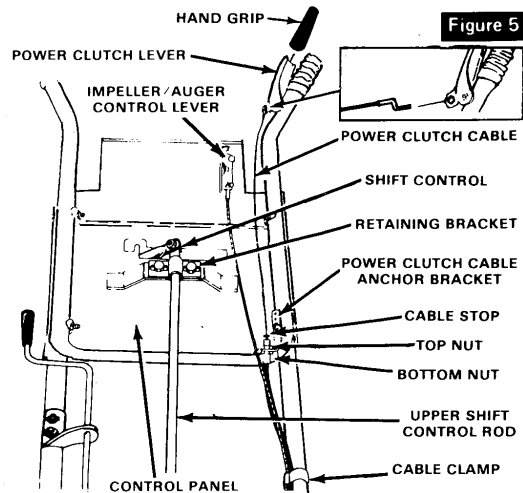
6. Attach impeller/auger drive control lever (other end of cable is attached on right side of unit below gas tank) to control panel as shown in figure 4 by:

- Insert lever up through slot in right side of control panel
- Attach lever to control panel with two No. 10 x 1/2 inch hex washer head screws and two No. 10 Keps nuts. **NOTE:** Before tightening screws and nuts, check to make sure that lever does not rub side of slot in control panel.
- Push knob onto impeller/auger drive control lever. **NOTE:** If knob should need to be removed, see **Control Knob Removal** paragraph in **Adjustments/Repairs** section of this manual.



7. A power clutch cable is attached under belt cover in front of engine. Cable should wrap around left side of engine and under carburetor. Attach cable by:

- Remove top nut from threaded end of cable and slide cable through slot in cable anchor bracket (figure 5).
- Push threaded end of cable up through hole in cable anchor bracket and replace, but do not tighten top nut.
- Pull up on power clutch cable and place hook end into hole in power clutch lever (figure 5). **NOTE:** It may be necessary to remove screw from power clutch lever to hook cable into lever. Make sure that spacer in handle where power clutch lever is attached does not drop out of handle if clutch lever is removed for cable attachment.

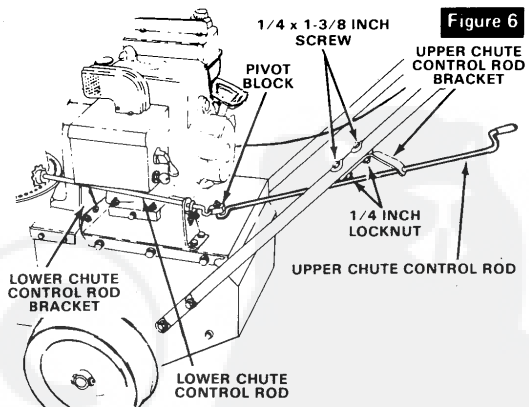


D. Tighten bottom nut on power clutch cable until cable stop (figure 5) just clears top end of threaded portion of cable. Tighten top nut to complete assembly.

E. Push flat hand grip from parts bag onto power clutch lever.

F. Attach impeller/auger and power clutch cables to right lower handle with a cable clamp (figure 5).

8. Attach upper chute control rod and upper chute control rod bracket (mounted on rod) to bottom side of left handle (figure 6) with two 1/4 x 1 3/8 inch hex head screws and two 1/4 inch locknuts.



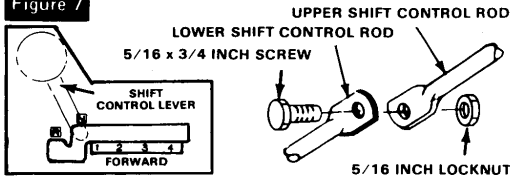
9. Hook lower end of upper chute control rod into pivot block (attached to lower chute control rod) and secure with a 1/8 x 1 inch cotterpin. **NOTE:** Cotterpins that attach upper and lower chute control rods to pivot block must be bent tight around rod ends so that they do not interfere with pivoting action of pivot block.

10. Check sprocket end of chute control rod to make sure teeth on sprocket fully engages holes in flange around bottom of discharge chute. If adjustment is necessary, simply loosen screws attaching lower chute control rod bracket (figure 6) to main frame and slide bracket up or down until teeth on sprocket fully engages holes in flange.

11. Attach upper shift control rod to lower shift control rod as follows:

- A. Attach upper and lower rod ends with a 5/16 x 3/4 inch screw and a 5/16 inch locknut as shown in figure 7 and tighten securely.
- B. Place shift control lever in neutral "N" position as shown in figure 7 inset.
- C. Check to make sure unit is in neutral by lifting wheels off ground and spinning wheels with your foot. Wheels will not spin if transmission is not in neutral. If transmission is in neutral, make sure screws in retaining bracket (figure 5) are tight. **NOTE:** If shift control lever is not in neutral "N" position when transmission is in neutral, proceed with the following steps.
- D. Move shift control lever until transmission is in neutral (unit can be pushed without sliding wheels).
- E. Loosen screws in retaining bracket (figure 5) on top end of shift control lever (under control panel).
- F. Move bracket and rod left or right until it is in neutral "N" position as shown in figure 7 inset. Retighten loosened screws securely.
- G. Move shift control lever to all four (4) forward positions and reverse "R" to check adjustment.

Figure 7

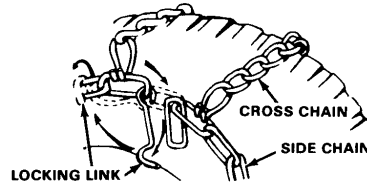


## TIRE CHAIN INSTALLATION

Installation of tire chains will be easier if done in a dry area before snow thrower is needed and before gas and oil has been added to engine.

1. Stand snow thrower up on front (auger) end.
2. Lay chain over tire (as shown in figure 8) with open hook ends of cross chains away from tire and locking link on outside of tire.
3. Position chain so that it is centered on tire and hook ends of side chain on inside of tire.
4. Straighten cross links, and pull chain tight and attach outside chain ends with locking link. **NOTE:** If side chain ends appear to be too short and cannot be hooked, check for kinks in chain or too tight hook up on inside of tire. Straighten chain and repeat installation procedure.
5. Repeat installation procedure on opposite side of snow thrower. **NOTE:** Chains may loosen after being used. Check and tighten if necessary after using snow thrower.
6. Return snow thrower to operating position.

Figure 8



## CAUTION

For packaging purposes, the skids on this snow thrower may have been adjusted all the way up to lowest height position. Adjust height as instructed in **SKIDS (Height) ADJUSTMENT** paragraph in **ADJUSTMENTS/REPAIRS** section of this manual before using snow thrower.

## OPERATION

### **! DANGER**

**READ OWNER'S MANUAL BEFORE OPERATING MACHINE.**

**THIS MACHINE CAN BE DANGEROUS IF USED CARELESSLY.**

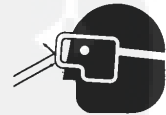
**NEVER OPERATE THE SNOW THROWER WITHOUT ALL GUARDS, COVERS, AND SHIELDS IN PLACE.**

**NEVER DIRECT DISCHARGE TOWARDS WINDOWS OR ALLOW BYSTANDERS NEAR MACHINE WHILE ENGINE IS RUNNING.**

**STOP THE ENGINE WHENEVER LEAVING THE OPERATING POSITION, BEFORE UNCLOGGING IMPELLER HOUSING OR DISCHARGE CHUTE AND BEFORE MAKING REPAIRS OR ADJUSTMENTS. WHEN LEAVING MACHINE REMOVE THE KEY.**

**TO REDUCE RISK OF FIRE, KEEP MACHINE CLEAN AND FREE FROM SPILLED GAS, OIL AND OTHER DEBRIS.**

The operation of this snow thrower can result in foreign objects being thrown into the eyes, which can result in severe eye damage. Always wear safety glasses or eye shields while operating snow thrower. We recommend standard safety glasses or Wide Vision Safety Mask for over spectacles.



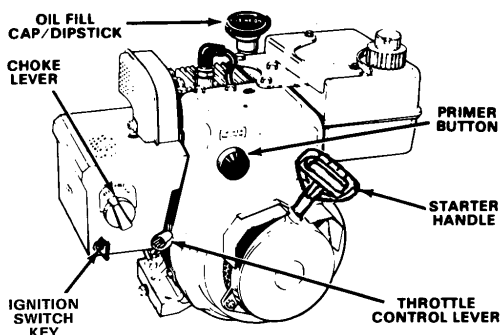
Get to know your snow thrower and its controls. Be sure you (or any other operator) have read and understood the **Operational Precautions** listed on page 2 of this manual.

## ENGINE OPERATING CONTROLS

The engine operating controls (figure 9) and their functions are as follows:

- **Throttle Control Lever** - This snow thrower is equipped with an engine mounted throttle control lever used to control speed of engine.
- **Choke Lever** - Used to assist in starting a cold engine.
- **Primer Button** - Used to inject fuel directly into carburetor manifold to insure fast starts.

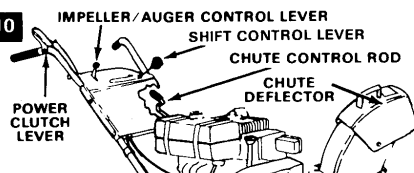
Figure 9



- **Ignition Switch Key** - Key must be inserted to start and run engine. Pull out to stop engine. **Do not turn ignition key.**
- **Starter Handle** - This snow thrower is equipped with a recoil starter.

## SNOW THROWER OPERATING CONTROLS

Figure 10



The snow thrower operating controls (figure 10) and their functions are as follows:

- **Power Clutch Lever** - The power clutch lever controls forward and reverse motion of the snow thrower when the wheel drive control is in the appropriate position. When the operator's hand is removed from the power clutch lever, snow thrower motion and impeller/auger rotation stop. **NOTE: Power clutch lever must be released before changing impeller/auger or shift control levers.**
- **Impeller/Auger Drive Control Lever** - Used to disengage power to impeller/auger without interfering with power to drive wheels. Pull backwards to engage position. Push forward to off position. **NOTE: Power clutch lever must be in released (off) position before impeller/auger lever position is changed.**
- **Shift Control Lever** - Used to select desired snow thrower speed or direction. Choice of four forward speeds, neutral and reverse.
- **Chute Deflector** - The distance snow will be discharged can be adjusted by raising chute deflector (figure 10) for more distance, or lowering for less distance.
- **Chute Control Rod** - Used to change direction of snow discharge. Turn handle counterclockwise to turn chute to left. Turn handle clockwise to turn chute to right.

### **⚠ DANGER ⚠**

**Do not put hands in or near the deflector chute while the engine is running.**

## PRE-USE CHECK OF CONTROLS

All controls should be checked for proper function before servicing or starting the engine.

1. Check chute control rod for proper function (see **Step 10** in **Controls Assembly** paragraph in **Assembly** section of this manual).
2. Check shift control lever for proper position (see **Shift Control Adjustment** paragraph in **Adjustment/Repairs** section of this manual).
3. Check power clutch lever for proper function. Adjust cable if necessary (see **Power Clutch Cable Adjustment** paragraph in **Adjustments/Repairs** section of this manual).
4. Check impeller/auger control lever for proper function. Adjust cable length if necessary (see **Impeller/Auger Control Cable Adjustment** paragraph in **Adjustments/Repairs** section of this manual).

5. After servicing engine and before beginning snow removal, check controls again with engine running. If shift or impeller/auger controls do not seem to function properly, check drive belts and belt guides for proper adjustment (see **Drive Belt Adjustment** paragraph in **Adjustments/Repairs** section of this manual).

## TO SERVICE ENGINE

The engine on this snow thrower was shipped with **NO OIL**. **Oil must be added before engine is started.**

1. Remove the oil fill cap/dipstick (figure 9) and fill crankcase to the FULL line on dipstick (about 1 ½ pints) with a high quality motor oil (see **Engine Manual** for proper oil).
2. Replace the oil fill cap/dipstick and tighten securely.

### **⚠ DANGER ⚠**

Gasoline is flammable and caution must be used when handling or storing it. Do not fill fuel tank while snow thrower is running, hot, or when snow thrower is in an enclosed area. Keep away from open flame, electrical spark, and **DO NOT SMOKE** while filling the fuel tank. Never fill fuel tank completely; but fill the tank to within ¼ - ½ inch from the top to provide space for expansion of fuel. Always fill fuel tank outdoors and use a funnel or spout to prevent spilling. Make sure to wipe up any spilled fuel before starting the engine.

Store gasoline in a clean, approved container, and keep the cap in place on the container. Keep gasoline in a cool, well ventilated place; never in the house. Never buy more than a 30 day supply of gasoline to assure volatility. Gasoline is intended to be used as a fuel for internal combustion engines; therefore, do not use gasoline for any other purpose. Since many children like the smell of gasoline, keep it out of their reach because the fumes are dangerous to inhale, as well as being explosive.

3. Fill gas tank with clean, fresh unleaded grade automotive gasoline. Leaded regular grade gasoline is an acceptable gasoline. **Do not use Ethyl or high octane gasoline or Gasohol.** Be certain container is clean and free from rust or other foreign particles. Never use gasoline that may be stale from long periods of storage in container. **CAUTION: DO NOT use gasoline containing any amount of alcohol as it can cause serious damage or significantly reduce performance.**

4. Check to make sure that spark plug is tightened securely into engine and spark plug wire is attached to spark plug. If torque wrench is available, torque plug to 15 foot pounds.

## TO START ENGINE

### **⚠ DANGER ⚠**

Never run engine indoors or in enclosed, poorly ventilated areas. Engine exhaust contains **CARBON MONOXIDE**, an **ODORLESS** and **DEADLY GAS**.

Keep hands, feet, hair and loose clothing away from any moving parts on engine and snow thrower.

**WARNING** - Temperature of muffler and nearby areas may exceed 150° F. Avoid these areas.

**DO NOT** allow children or young teenagers to operate or be near snow thrower while it is operating.

Be sure that engine has sufficient oil. This snow thrower engine is equipped with a recoil starter. Before starting the engine, be certain that you have read and followed all the instructions on the preceding pages.

1. Move shift control lever (figure 7) to NEUTRAL position.
2. Move impeller/auger control lever (figure 10) to OFF position.
3. Insert ignition switch key (figure 9). **Do not** turn ignition key.
4. Move throttle control lever (figure 9) to FAST position.
5. Move choke lever (figure 9) to FULL CHOKE position.  
**NOTE:** Do not choke a warm engine.
6. Push primer button (figure 9) two times. **NOTE:** Do not prime a warm engine.
7. Pull starter handle (figure 9) rapidly. **NOTE:** Do not allow starter handle to snap back but rewind slowly while keeping a firm hold of starter handle.
8. As engine warms up and begins to operate evenly, move choke lever slowly to OFF position. If engine falters, return to ½ choke until it runs smoothly, then move to OFF choke position. **NOTE:** Allow the engine to warm up for a few minutes as the engine will not develop full power until it reaches operating temperature.
9. Run engine at or near top speed.
10. To stop forward motion, release power clutch lever (figure 10) on right handle. To stop engine, move throttle control lever to STOP position and remove ignition switch key.

## SNOW THROWER OPERATION

The most effective use of the snow thrower will be established by experience, taking into consideration the terrain, wind conditions and the depth and weight of the snow. It is the wind conditions and building location which will determine the direction of the discharge chute. **NOTE:** Do not throw snow towards a building as hidden objects could be thrown with sufficient force to cause damage.

To engage the self-propelling drive mechanism, proceed as follows:

1. Start the engine as described in paragraph To Start Engine.
2. Using the chute control rod (figure 10), position the discharge chute in desired direction.
3. Select proper speed for snow conditions as outlined below and set shift control lever to desired position.
  - A. Number 1 position is for extra deep, wet, heavy snow.

- B. Number 2 position is for deep, wet, heavy snow. Experience will help make choice between position 1 and 2.
- C. Number 3 position is for light fluffy snow.
- D. Number 4 position is mainly for transporting snow thrower over bare or plowed areas, but may be used for very light snow.

4. Move the impeller/auger control lever to the ENGAGE position.

5. Press the power clutch lever to begin impeller/auger rotation and forward motion. As the snow thrower starts to move, maintain a firm hold on the handles and guide the snow thrower along the cutting path. Do not attempt to push the snow thrower.

### **⚠ DANGER ⚠**

The moment the shift control lever is set in a position other than NEUTRAL and the power clutch lever on the right handle is pressed down, the snow thrower will move.

6. To disengage the drive mechanism: Release the power clutch lever. Set the shift control lever to the NEUTRAL position. Set the impeller/auger drive control lever to the OFF position.

7. To move snow thrower backwards: Place shift control lever in REVERSE position and press the power clutch lever. To stop backward motion: Release pressure from power clutch lever, Return shift control lever to NEUTRAL position.

**NOTE:** Adjustment of v-belt may be necessary after a normal break-in period of 2 to 4 hours. See DRIVE BELT ADJUSTMENT paragraph in ADJUSTMENT/REPAIRS section of this manual.

### **⚠ DANGER ⚠**

Do not attempt to remove any item that may become lodged in auger without taking the following precautions:

1. Move impeller/auger drive control lever to OFF position.
2. Move shift control lever to NEUTRAL position.
3. Move throttle lever to STOP position.
4. Turn key to OFF position.
5. Disconnect spark plug wire.
6. Do not place your hands in the auger or discharge chute. Use a pry bar.

## SNOW THROWER CARE

To help prevent possible freeze-up of rewind starter and engine controls, proceed as follows after each snow blowing job.

1. **With engine running**, pull starter rope hard with a continuous full arm stroke three or four times. Pulling of starter rope will produce a loud clattering sound. This is not harmful to the engine or starter.

2. **With engine not running**, wipe all snow and moisture from carburetor cover in area of control levers. Also move control levers backward and forward several times.

**NOTE:** To prevent or cure icing of cables and controls, a de-icer can be used. De-icer is available in most automotive stores.

## ⚠ DANGER ⚠

Pay close attention to instruction on the de-icer container. Also be extra careful that no de-icer comes in contact with muffler or any other hot area on or near engine.

**IMPORTANT:** After each use of the snow thrower, stop the engine, remove the ignition key, remove all accumulated snow from the snow thrower and wipe clean. If possible, flush snow thrower with water to remove any snow melting chemicals that may have been used on removed snow. Store the snow thrower in a protected area.

Be good to your snow thrower. Check for any loose or damaged parts after each use. Tighten any loose fasteners. Check controls often to make sure they are functioning properly, see **Pre-Use Check of Controls** paragraph.

If any adjustments are required, see **Adjustments/Repairs** section of this manual. If any parts are worn or damaged, replace immediately. See **Repair Parts** section of this manual for proper original equipment parts. Make repairs as instructed in **Adjustments/Repairs** section of this manual.

Always remove all snow and slush off snow thrower after each use to prevent freezing of impeller/auger or engine controls. When storing snow thrower, follow instructions in **Storage** section of this manual.

## MAINTENANCE

The warranty on this snow thrower does not cover items that have been subjected to operator abuse or negligence. To receive full value from the warranty, operator must maintain snow thrower as instructed in this manual. The following

**Maintenance Check List** is supplied to assist operator to properly maintain snow thrower. This is a check list only. Adjustments referred to will be found in **Adjustment/Repairs** section of this manual.

<b>MAINTENANCE CHECK LIST</b>	<b>SERVICE RECORD</b> FILL IN DATES AS YOU COMPLETE REGULAR SERVICE						
	AFTER FIRST 2 HOURS BEFORE EACH USE	FREQUENTLY	EVERY 5 HOURS	EVERY 10 HOURS	EVERY 25 HOURS	BEGINNING EACH SEASON	BEFORE STORAGE
Check Engine Oil Level	●						
Change Engine Oil	●				●		
Tighten All Screws and Nuts	●	●					
Check Tire Chain Tightness	●	●					
Check Power Clutch Cable Adjustment			●		●		
Check Impeller/Auger Control Cable Adjustment			●		●		
Check Shift Control Adjustment			●		●		
Check Spark Plug				●	●		
Adjust Drive Belts	●				●	●	
Adjust Impeller/Auger Brake	●				●	●	
Lubricate All Pivot Points			●			●	
Lubricate Auger Shaft			●			●	
Lubricate Discharge Chute Flange						●	
Lubricate Wheel Axles						●	
Lubricate Drive Chains			●			●	

### LUBRICATION

For lubrication frequency see **Maintenance Check List**. For lubrication points and type of lubricant see **Lubrication Chart**.

1. Check crankcase oil level before each starting of engine and after each 5 hours of continuous use. Add S.A.E. 10W-30 motor oil. Tighten oil fill cap/dipstick securely each time you check oil level. **NOTE:** S.A.E. 5W-20 or 5W-40 motor oil



may be substituted in areas where temperature is consistently 20°F. or lower. **To drain oil proceed as follows:**

- A. Remove gas from gas tank. Start and run engine until it dies from lack of gas.
  - B. Remove oil fill cap/dipstick (figure 11).
  - C. Remove oil drain cap (figure 11).
  - D. Tip snow thrower toward oil drain cap and drain oil into a suitable container. **NOTE:** Oil will drain more freely when warm.
  - E. Reinstall oil drain cap securely and fill crankcase to proper level shown on dipstick (approximately 1 ¼ pints).
  - F. Refill gas tank.
2. Place a few drops of oil at all bracket points on chute control rod.

3. The transmission and auger gear case have been factory lubricated for life. If for some reason lubricant should leak out, have transmission or auger gear case checked by a competent repairman.

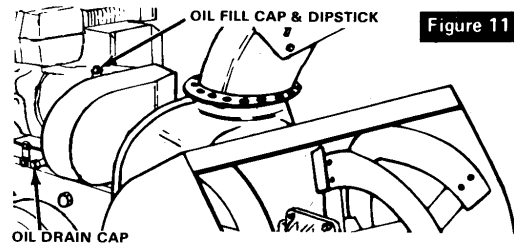


Figure 11

### LUBRICATION CHART

**ROLLER CHAIN**

- Add S.A.E. 10W-30 oil (or equivalent).
- Add S.A.E. 10W-30 oil (or equivalent) as required.
- Remove chute and coat flange with a clinging type grease such as lubriplate.

**ENGINE**

**DISCHARGE CHUTE**

**SHEAR BOLTS**

**WHEELS**

**IDLER PULLEY ARMS**

**PIVOT POINTS**

**AUGER GEAR CASE**

- Remove wheels and coat axles with a clinging type grease such as lubriplate
- Remove shear bolts, squirt oil between shaft and auger tube, revolve auger to spread oil.

## TROUBLE SHOOTING

**DANGER: ALWAYS DISCONNECT SPARK PLUG WIRE BEFORE ATTEMPTING ANY REMEDY.**

TROUBLE	LOOK FOR	REMEDY
Difficult starting,	Defective spark plug	Replace defective plug.
Engine runs erratic	Blocked fuel line or empty gas tank	Clean fuel line; check fuel supply.
	Review paragraph <b>To Start Engine</b> .	
Engine stalls;	Unit running on CHOKE	Set choke lever to RUN position.
Loss of power; Engine runs erratic	Obstruction in impeller housing	Remove obstruction; clean impeller. Refer to last <b>Danger</b> in <b>Snow Thrower Operation</b> paragraph in <b>Operation</b> section of this manual
	Water in fuel system	Remove carburetor bowl to drain fuel tank. Refill with fresh fuel.
<b>CAUTION: Do not remove carburetor bowl when the engine is hot.</b>		
Excessive vibration	Loose parts; Damaged impeller	Stop engine immediately; tighten all bolts and make all necessary repairs. If vibration continues, have the unit serviced by a competent repairman.
Unit fails to propel itself	Drive belt loose or damaged	Replace drive belt. Refer to <b>Drive Belt Replacement</b> paragraph in <b>Adjustments/Repair</b> section of this manual.
	Drive roller chain loose or damaged	Replace or tighten roller chain. Refer to <b>Roller Chain Replacement</b> or <b>Step 5 of Wheel Axle Bearing Replacement</b> paragraph in <b>Adjustments/Repairs</b> section of this manual.
	Unit drive belt loose or damaged	Adjust unit drive belt; replace if damaged. Refer to <b>Drive Belt Adjustment</b> paragraph or <b>Drive Belt Replacement</b> paragraph in <b>Adjustments/Repairs</b> section of this manual.
Unit fails to discharge snow	Impeller drive belt loose or damaged	Adjust impeller/auger drive belt; replace if damaged. Refer to <b>Drive Belt Adjustment</b> paragraph or <b>Drive Belt Replacement</b> paragraph in <b>Adjustment/Repairs</b> section of this manual.
	Impeller/Auger control out of adjustment	Adjust impeller/auger control cable. Refer to <b>Impeller/Auger control Cable Adjustment</b> paragraph in <b>Adjustments/Repairs</b> section of this manual.
	Shear bolt broken	Replace shear bolt. Refer to <b>Shear Bolt Replacement</b> paragraph in <b>Adjustments/Repairs</b> section of this manual.
	Discharge chute clogged	Clean discharge chute and inside of auger housing. Refer to last <b>Danger</b> in <b>Snow Thrower Operation</b> paragraph in <b>Operation</b> section of this manual.
	Foreign object lodged in auger	Remove object from auger. Refer to last <b>Danger</b> in <b>Snow Thrower Operation</b> paragraph in <b>Operation</b> section of this manual.
	Auger gear case trouble	Check auger gear case for broken or bound parts and for oil level. See <b>Repair Parts</b> section of this manual for correct order of parts.
Improper shifting	Transmission trouble	Have transmission checked by competent repairman.
	Shift control out of adjustment	Adjust shift control. Refer to <b>Shift Control Adjustment</b> paragraph in <b>Adjustments/Repairs</b> section of this manual.

## ADJUSTMENTS/REPAIRS

### ⚠ DANGER ⚠

Always disconnect the spark plug wire and tie back away from plug before making any repairs or adjustments.

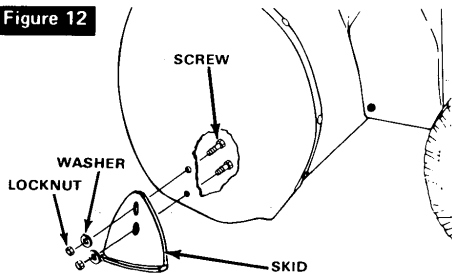
### SKIDS (Height) ADJUSTMENT

This snow thrower is equipped with a pair of skids (figure 12) mounted on the outside of the auger housing. The skids are used to raise the front of the snow thrower up to 1 inch.

When removing snow from rock or unpaved construction, we suggest you raise the front of the snow thrower with the skids. To raise the snow thrower with the skids, loosen the locknuts (figure 12) and push the skids down until the front of the machine is raised to desired height. Retighten locknuts.

**IMPORTANT:** Check tire pressure. Recommended tire pressure is 20 pounds. Be certain that pressure is equal in both tires so front of snow thrower stays level.

Figure 12



### ⚠ DANGER ⚠

Be certain to maintain proper ground clearance for your particular area to be cleared. Objects such as gravel, rocks or other debris, if struck by the impeller/auger, may be thrown with sufficient force to cause personal injury or property damage.

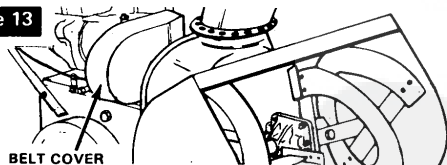
### DRIVE BELT ADJUSTMENT

This snow thrower is equipped with two drive belts located just in front of engine under belt cover (figure 13). Figure 14 shows both belts and idler pulleys. Belt nearest engine is unit drive (wheels) belt. Other belt (farthest from engine) is impeller/auger drive belt.

If adjustment becomes necessary due to wear of either belt:

1. Disconnect spark plug wire, tie wire away from plug, and remove belt cover (figure 13).

Figure 13



2. Move impeller/auger control lever to ENGAGE position and have someone hold power clutch lever on right handle down against hand grip while doing step 3.

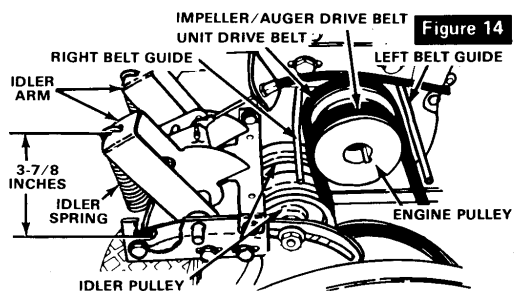
3. Measure length of both idler springs (figure 14). Springs should measure 3 7/8 inches in length from inside of hook to inside of hook.

4. If springs measure less than 3 7/8 inches, belt is too loose.

5. To tighten belt, release power clutch lever, loosen locknut on idler pulley and push pulley toward belt about 1/8 inch.

6. Tighten locknut on idler pulley and recheck spring length. Repeat step 5 if necessary.

7. **IMPORTANT:** If impeller/auger drive belt is adjusted, impeller/auger brake **MUST** be adjusted after belt adjustment has been completed. See Impeller/Auger Brake Adjustment paragraph.

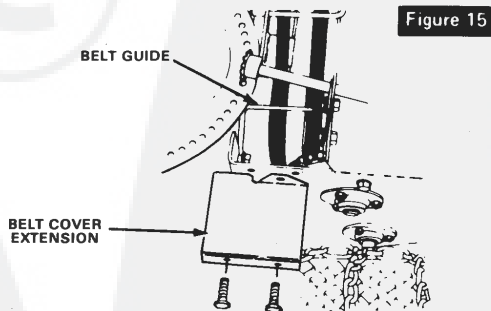


8. Check belt guides (figure 14) for proper clearances as follows: **IMPORTANT:** Never loosen both belt guides at the same time. Adjust one belt guide, retighten, then adjust other guide.

- A. Place impeller/auger lever in ENGAGE position.
- B. Have someone hold power clutch lever down to engaged position.
- C. Adjust left belt guide, if necessary, to a clearance between guide and belt of not more than 1/16 inch.
- D. Adjust right belt guide, if necessary, to a clearance between guide and belt of not less than 1/16 inch or more than 1/8 inch.
- E. Be sure to tighten belt guide mounting screws securely to prevent guides from slipping from adjusted positions.

9. A third belt guide is located under belt cover extension (figure 15). To adjust this belt guide, proceed as follows:

- A. Remove two screws that hold belt cover extension in place and remove extension.



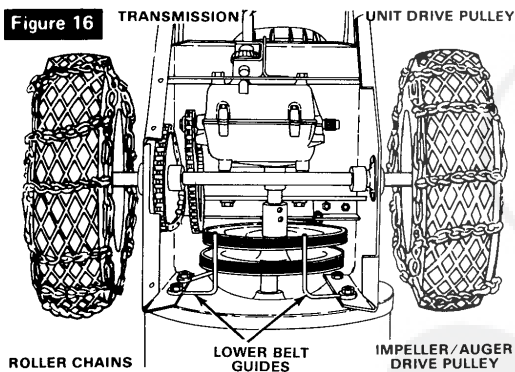
- B. Place impeller/auger lever in ENGAGE position.
  - C. Have someone hold power clutch lever down to engaged position.
  - D. Loosen nut holding belt guide (figure 15) and adjust guide to a clearance from belt of not more than 1/16 inch.
  - E. Tighten nut and reinstall belt cover extension and belt cover.
10. Reconnect spark plug wire.

## DRIVE BELT REPLACEMENT

The drive belts on this snow thrower are of special construction and should be replaced with original equipment belts. Consult **Repair Parts** section of this manual for proper parts.

### To Replace Unit Drive Belt (belt nearest engine):

1. Remove gas from gas tank. Start and run engine until it stops from lack of gas.
2. Disconnect spark plug wire, tie wire away from plug and remove belt cover (figure 13).
3. Loosen screw holding left belt guide (figure 14) and swing guide away from pulley. Retighten screw.
4. Loosen screw holding right belt guide (figure 14) and swing guide away from pulley. Retighten screw.
5. Remove belt from engine pulley. **NOTE:** It will be necessary to remove impeller/auger drive belt from engine pulley to allow unit drive belt to be removed from engine pulley.
6. Stand snow thrower up on auger end.
7. Loosen nuts securing lower belt guides (figure 16) and swing guides away from belt.
8. Remove belt between large drive pulleys.
9. Install new belt in reverse order of removal.
10. Adjust lower belt guides back to within 1/16 inch of unit drive belt and tighten nuts.
11. Return snow thrower to operating position.
12. Adjust drive belt and belt guides as instructed in **Drive Belt Adjustment** paragraph.
13. Reinstall belt cover and reconnect spark plug wire.



### To Replace Impeller/Auger Drive Belt (belt farthest from engine):

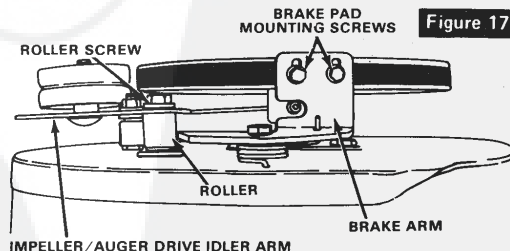
1. Remove gas from gas tank. Start and run engine until it stops from lack of gas.

2. Disconnect spark plug wire, tie wire away from plug and remove belt cover (figure 13).
3. Loosen screw holding left belt guide (figure 14) and swing guide away from pulley. Retighten screw.
4. Loosen screw holding right belt guide (figure 14) and swing guide away from pulley. Retighten screw.
5. Remove belt from engine pulley.
6. Stand snow thrower up on auger end.
7. Loosen nuts securing lower belt guides (figure 16) and swing guides away from belt.
8. Move impeller/auger control lever to ENGAGE position and have someone hold power clutch lever down.
9. Remove belt from impeller/auger drive pulley and engine pulley and remove between drive pulleys.
10. Install new belt in reverse order of removal.
11. Adjust lower belt guides back to within 1/16 inch of impeller/auger drive pulley and tighten nuts.
12. Return snow thrower to operating position.
13. Adjust drive belt and belt guides (figure 14) as instructed in **Drive Belt Adjustment** paragraph.
14. Adjust impeller/auger brake as instructed in **Impeller/Auger Brake Adjustment** paragraph.
15. Reinstall belt cover and reconnect spark plug wire.

## IMPELLER/AUGER BRAKE ADJUSTMENT

If impeller/auger tries to rotate when power clutch lever on right handle is released, brake adjustment may be necessary.

1. Disconnect spark plug wire, tie wire away from plug and remove belt cover (figure 13).
2. Make sure drive belts and belt guides are properly adjusted (see **Drive Belt Adjustment** paragraph).
3. Brake arm is activated by a roller attached to lower end of impeller/auger drive idler arm (figure 17).
4. Place impeller/auger lever in ENGAGE position.
5. Pull power clutch lever down against hand grip. Brake pad should be completely clear of impeller/auger drive pulley.
6. Release power clutch lever. Brake pad should drop firmly into groove in impeller/auger drive pulley.
7. Roller on lower end of impeller/auger drive idler arm should clear rear of brake arm by no less than 1/8 inch or more than 3/16 inch.
8. If roller is tight against brake arm or clears by more than 3/16 inch, loosen screw securing roller and slide roller in slot in arm in direction to obtain 1/8 to 3/16 inch clearance.
9. Retighten roller screw.
10. Reinstall belt cover and reconnect spark plug wire.



## TO REPLACE IMPELLER/AUGUER BRAKE PAD

1. Disconnect spark plug wire, tie wire away from plug and remove belt cover (figure 13).
2. Remove two screws from top of brake pad (figure 17).
3. Have someone place impeller/auguer lever in ENGAGE position and hold clutch control lever down.
4. Remove old brake pad and replace with new pad. Reinstall two removed screws but do not tighten.
5. Release clutch control lever and make sure new brake pad aligns with groove in pulley.
6. Tighten screws securely.
7. Adjust brake as instructed in **Impeller/Auguer Brake Adjustment** paragraph.
8. Reinstall belt cover and reconnect spark plug wire.

## ROLLER CHAIN REPLACEMENT

There are two roller chains on this snow thrower as shown in figure 16.

1. Remove gas from gas tank. Start and run engine until it stops from lack of gas.
2. Disconnect spark plug wire and tie wire away from plug.
3. Stand snow thrower up on auger end.
4. Locate master link (figure 18) in chain to be replaced.
5. Check position of open end of keeper link (figure 18) so that replacement link can be installed in the same manner. Open end of keeper link must be in trailing position when chain is operating in direction required for forward motion of snow thrower.
6. Remove master link and remove chain.
7. Install new chain in reverse order of removal.
8. Refill gas tank and reconnect spark plug wire.



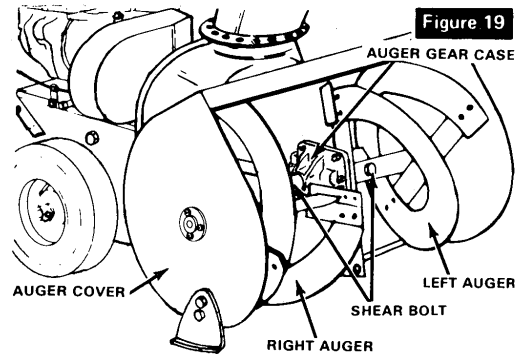
## SHEAR BOLT REPLACEMENT

The auger assembly is made up of a right and left auger. Each is secured with a special bolt (figure 19) that acts as a shear bolt. These bolts are designed to break if an object becomes lodged in the auger. Two spare shear bolts and nuts have been furnished with your snow thrower. If additional bolts are required, order **genuine replacement bolts**. Use of a harder bolt will destroy the protection provided by these special bolts. To replace a broken shear bolt, proceed as follows:

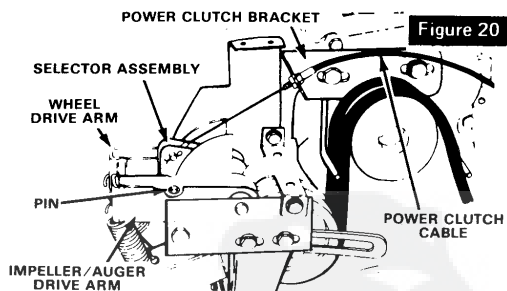
1. Disconnect spark plug wire, tie wire away from plug and remove the parts of the broken bolt.
2. Align the hole in the auger with the hole in the auger shaft. Install new shear bolt.
3. Reconnect spark plug wire.

## POWER CLUTCH CABLE ADJUSTMENT

If adjustment becomes necessary, adjust cable length as instructed in **Step 7** in paragraph **Controls Assembly** in **Assembly** section of this manual. If further adjustment is required, **proceed as follows**:



1. Disconnect spark plug wire, tie wire away from plug and remove belt cover (figure 13).
2. Loosen screws that hold belt guides and power clutch bracket (figure 20).
3. Move power clutch bracket until pin in selector assembly (figure 20) is centered in holes in impeller/auger and wheel drive arms.
4. Retighten screws.
5. Readjust belt guides as instructed in **Steps 8 and 9** in paragraph **Drive Belt Adjustment**. **NOTE:** Loosen and adjust one belt guide at a time or power clutch bracket may move causing adjustment to be lost.
6. Reinstall belt cover and reconnect spark plug wire.

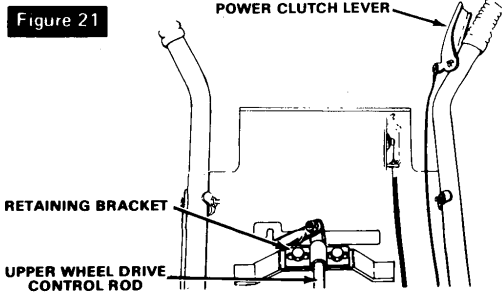


## SHIFT CONTROL ADJUSTMENT

Adjustment to shift control rod will be necessary if:

1. Transmission is not in neutral when shift control lever is in NEUTRAL position.
2. Reverse position can not be fully reached.
3. Fourth (4th) gear can not be fully reached. If any of these three conditions exist, **adjust as follows**:
  - A. Disconnect spark plug wire and tie away from plug.
  - B. Locate neutral position of shift control lever by pushing snow thrower (wheels will slide if transmission is not in neutral or roll if it is in neutral).
  - C. Leave shift control lever in position where neutral was obtained.
  - D. Loosen screws in retaining bracket (figure 21) at top end of shift control rod (under control panel).
  - E. Slide retaining bracket and rod left or right until shift control lever is in proper neutral position. Tighten screws in retaining bracket.

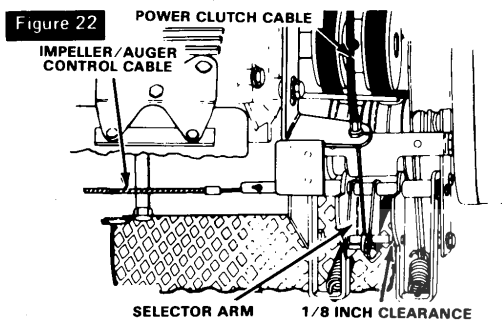
- F. Check adjustment by moving lever to each position.  
**NOTE:** Be sure to check to see that NEUTRAL is properly reached from both directions (from reverse and from forward gear).
- G. Reconnect spark plug wire.



### IMPELLER/AUGER CONTROL CABLE ADJUSTMENT

If impeller/auger control should need adjustment because impeller/auger will not engage or will not disengage, adjust as follows:

1. Disconnect spark plug wire, tie wire away from plug and remove belt cover (figure 13).
2. Move impeller/auger control lever from OFF to ENGAGE and check action of selector arm (figure 22). When



impeller/auger control lever is in ENGAGE position, pin through selector arm should fully engage wheel drive arm and impeller/auger drive arm. When lever is in OFF position, pin through selector arm should engage wheel drive arm only and clear impeller/auger drive arm by at least 1/8 inch. To adjust to these positions:

- A. Loosen screw that clamps impeller/auger control cable (figure 22) to engine.
  - B. Move cable forward or backward in clamp to obtain proper position mentioned above.
  - C. Reclamp cable by tightening loosened screw.
3. Reinstall belt cover and reconnect spark plug wire.

### WHEEL AXLE BEARING REPLACEMENT

After approximately 100 hours (about 5 years) of use or if drive chain jumps off sprockets, bearing on wheel axle may need to be replaced. To replace bearings:

1. Disconnect spark plug wire and tie back away from spark plug.

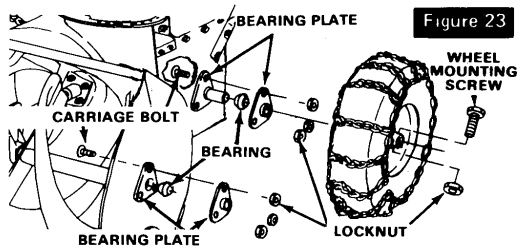
2. Place a block (just enough to raise wheels off ground) under rear of snow thrower.

3. Remove screw (figure 23) that secures wheel to axle and remove wheel.

4. Remove three locknuts that secure bearing plate to rear frame assembly. **NOTE:** Reassembly will be easier if a piece of tape is placed over each of the carriage bolt heads on inside of side frame before nuts are loosened.

5. Remove old bearing from axle shaft and install new bearing. Reinstall removed parts in reverse order of removal. **NOTE:** Push down on wheel axle while tightening bearing screws and nuts.

6. Repeat steps 3 through 5 on opposite side, remove block from under snow thrower, and reconnect spark plug wire.



### AUGER SHAFT BEARING REPLACEMENT

If auger shaft bearings (at center of auger housing ends) ever need to be replaced, proceed as follows:

1. Disconnect spark plug wire and tie back away from plug.
2. Remove three locknuts (figure 23) that secure bearing plate to outside of auger housing end.
3. Install new bearing and secure with removed locknuts.
4. Reconnect spark plug wire.

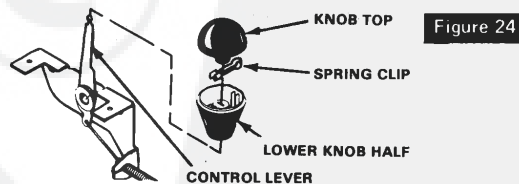
### CONTROL KNOB REMOVAL

If it becomes necessary to remove the impeller/auger control knob, proceed as follows:

1. Squeeze center ring of knob gently with pliers. Top of knob (figure 24) will pop off.
2. With screwdriver, spread and remove spring clip (figure 24). Lower knob half can now be removed.

To replace knob, proceed as follows:

1. Place spring clip into lower knob half (between ribs).
2. Snap knob top onto lower knob half.
3. Push knob onto control shaft. (Do Not use hammer.)

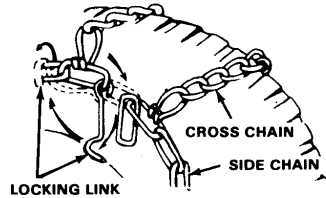


### TIRE CHAIN REMOVAL

To remove tire chains, release the chain locking link on outside of tire and hook on inside of tire (figure 25). Flatten the chains out on the ground and push the snow thrower off the chains.

To reinstall chains see **Tire Chain Installation** paragraph in **Assembly** section of this manual. **NOTE:** Gas must be drained if snow thrower is to be raised up on end.

Figure 25



### TRANSMISSION REPLACEMENT

The replacement of the transmission on this snow thrower is a major service operation and should be done by a trained technician.

### ENGINE SERVICE

Unless the operator is fully qualified to make engine adjustments and repairs, it is recommended that such work be done by technicians trained to work on snow thrower type gasoline engines.

### CARBURETOR ADJUSTMENT

Never make unnecessary adjustments to the carburetor. Factory settings are satisfactory for most applications and conditions. However, if adjustment becomes necessary, refer to **Engine Manual** for proper procedure.

#### ⚠ CAUTION ⚠

Never tamper with engine governor which is factory set for proper engine speed. Over-speeding engine above factory high speed setting can be dangerous. If you think the engine governed high speed needs adjusting, contact a competent repairman who has the proper equipment and experience to make any necessary adjustments.

### SPARK PLUG ADJUSTMENT

Check the spark plug periodically and reset spark plug gap. Refer to **Engine Manual** for proper procedure.

## STORAGE

The snow thrower should be immediately prepared for storage at the end of the season or if the unit is to be un-used for 30 days or more.

#### ⚠ DANGER ⚠

Never store engine with fuel in tank indoors or in enclosed, poorly ventilated enclosures, where fuel fumes may reach an open flame, spark or pilot light as on a furnace, water heater, clothes dryer, etc.

Handle gasoline carefully. It is highly flammable and careless use could result in serious fire damage to your person and/or property.

Drain fuel into approved containers outdoors, away from open flame.

### SNOW THROWER STORAGE

1. Clean the snow thrower thoroughly; remove all debris, flush with water to remove all salt or other chemicals and wipe snow thrower dry.
2. Inspect the snow thrower for worn or damaged parts, tighten all loose hardware.
3. Remove shear pins from auger, squirt oil between auger tube and axle shaft. Rotate auger several times to distribute oil.
4. Oil all points described in paragraph **Lubrication**.
5. Store the snow thrower in a protected area and cover the snow thrower for additional protection.

**IMPORTANT:** A yearly checkup or tuneup by a competent repairman is a good way of insuring that your snow thrower will provide maximum performance for the next season.

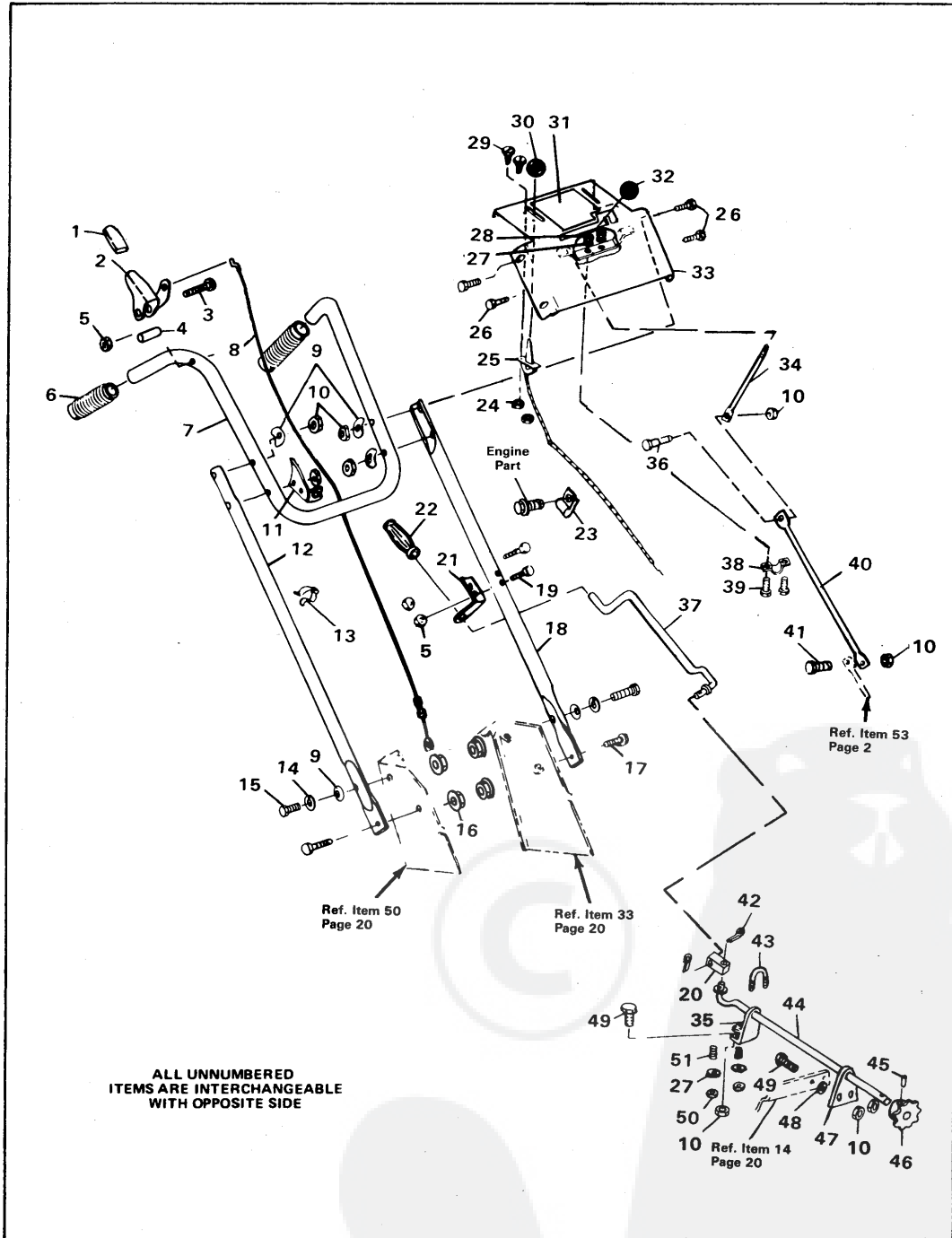
### ENGINE STORAGE

Gasoline, if permitted to stand un-used for extended periods (30 days or more), may develop gummy deposits which can adversely affect the engine carburetor and cause engine malfunction. To avoid this condition, proceed as follows:

1. Prior to shut down for 30 days or more, and for seasonal storage, drain gasoline from fuel tank.
2. Run engine until gas tank is empty and engine stops due to lack of gas.
3. Remove fuel line at tank or carburetor and drain any remaining gasoline from system.
4. Remove spark plug and pour one (1) ounce of engine oil through spark plug hole into cylinder. Crank engine several times to distribute oil. Reinstall spark plug.
5. Store snow thrower in wheel down, operating position. If snow thrower is stored in any other position, oil from crankcase could enter cylinder head, causing a service problem.

# REPAIR PARTS

26" SNOWTHROWER MODEL 5361-46





## 26" SNOWTHROWER MODEL 5361-46

ALWAYS GIVE THE FOLLOWING INFORMATION WHEN ORDERING REPAIR PARTS:

1. The PART NUMBER; 2. The PART NAME; 3. QUANTITY DESIRED; 4. The MODEL NUMBER (As shown on Model Plate)

SEND PART ORDERS AS PER INSTRUCTIONS ON THE FRONT PAGE

YOUR UNIT IS RIGHT HAND (RH) OR LEFT HAND (LH) AS YOU STAND BEHIND IT.

DO NOT USE KEY NUMBERS WHEN ORDERING REPAIR PARTS, ALWAYS USE PART NUMBERS.

All replacement parts will be supplied in current production colors or in a neutral color.

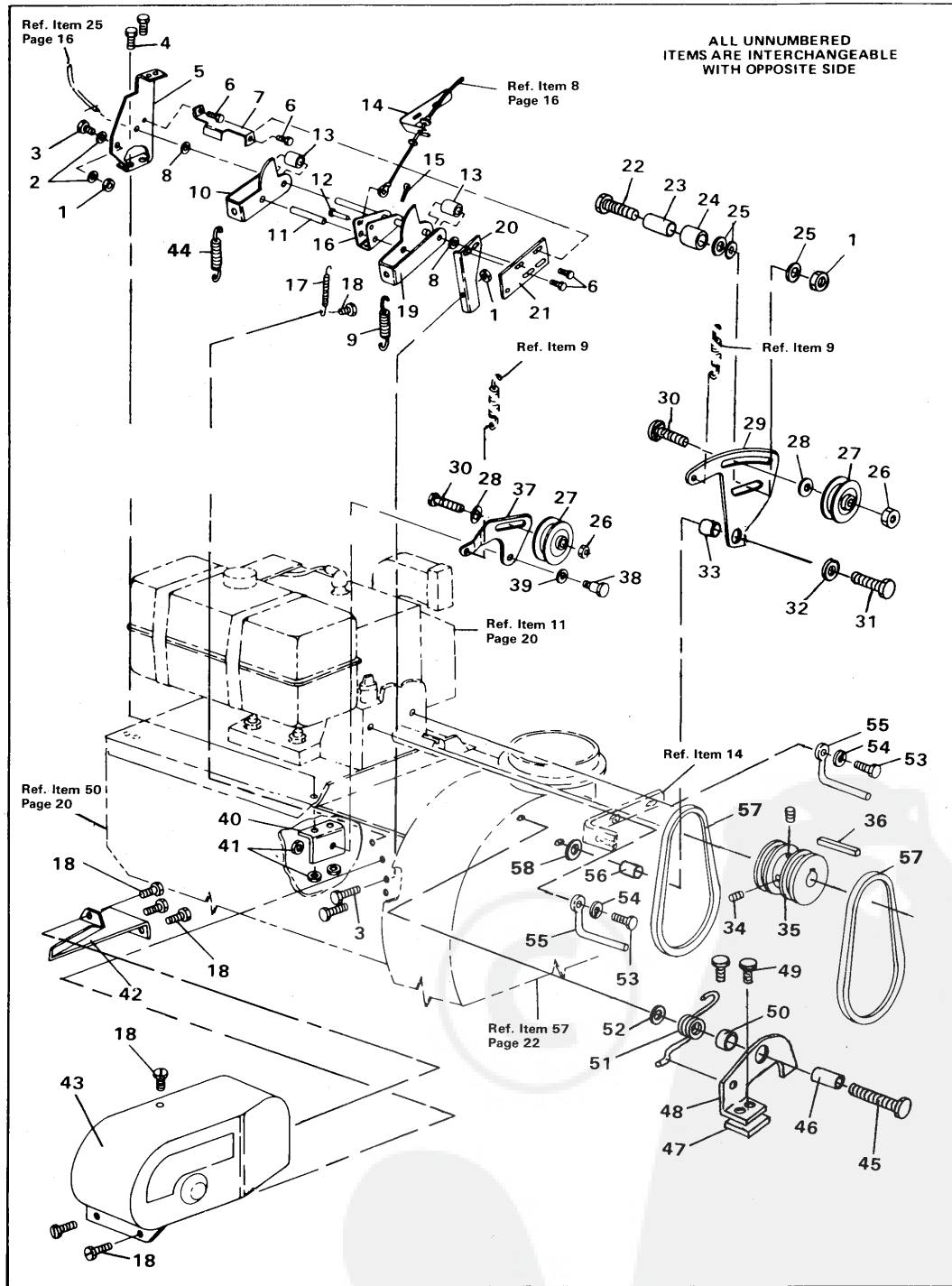
A handling fee is applicable to small parts orders.

Key No.	Part No.	Description
1	55194	Grip, Clutch Lever
2	57175	Lever Assembly, Clutch
3	57068	Screw, Rd. Hd, 1/4-20 x 1 1/8 In.
4	51271	Spacer
5	9424215	Locknut, 1/4-20 Thd
6	56463	Hand Grip
7	52164	Handle, Upper
8	56011	Cable, Power Clutch
9	22025	Washer, Formed
10	9413447	Locknut, 5/16-18 Thd
11	49569	Bracket, Cable Anchor
12	55250	Handle, Lower, R.H.
13	48082	Cable Clamp
14	120638	*Lockwasher, Split, 5/16 In.
15	180081	*Screw, Hex Hd, 5/16-18 x 1 1/4 In.
16	55273	Locknut, Wide Flange, 5/16-18 Thd
17	51333	Screw, Wide Flange, 5/16-18 x 3/8 In.
18	55251	Handle, Lower, L.H.
19	180033	*Screw, Hex Hd, 1/4-20 x 1 3/8 In.
20	51564	Pivot Block
21	48403	Bracket, upper Chute Control Rod
22	48441	Hand Grip
23	55971	Wire Clip
24	271166	Locknut, Keps, No. 10-24 Thd
25	49021	Impeller/Auger Control Assembly
26	180085	*Screw, Hex Hd, 5/16-18 x 1 3/4 In.
27	9417373	*Flatwasher, 13/64 In.

Key No.	Part No.	Description
28	997316	Locknut, No. 10-24 Thd
29	443874	*Screw, Hex Hd, No. 10-24 x 1/2 In.
30	50607	Knob, Control Lever
31	70146	Decal, Control Panel
32	22822	Knob, Shift Control Lever
33	55285	Panel, Control
34	50393	Lever Assembly, Shift
35	55197	Bracket, Lower Chute Rod, Rear
36	25494	Shoulder Bolt
37	51563	Rod, Chute Control, Upper
38	50152	Retainer Bracket, Shift Rod
39	274707	*Screw, Hex Hd, No. 10-24 x 1/2 In.
40	50146	Rod, Shift, Upper
41	180077	*Screw, Hex Hd, 5/16-18 x 3/4 In.
42	137185	Cotter Pin, 1/8 x 1 In.
43	23940	U-Bolt
44	51562	Rod, Chute Control, Lower
45	455481	*Roll Pin, 3/16 x 1 In.
46	48395	Sprocket, 9 Tooth
47	48793	Bracket, Lower Chute Control Rod
48	996407	*Flatwasher, 5/16 In.
49	180075	*Screw, Hex Hd, 5/16-18 x 3/8 In.
50	997319	Locknut, No. 10-32 Thd
51	23939	Spring
52	62930	Owner's Manual (Not Illustrated)
53		
54		

\*Standard Hardware Items - May Be Purchased Locally.

**26" SNOWTHROWER MODEL 5361-46**



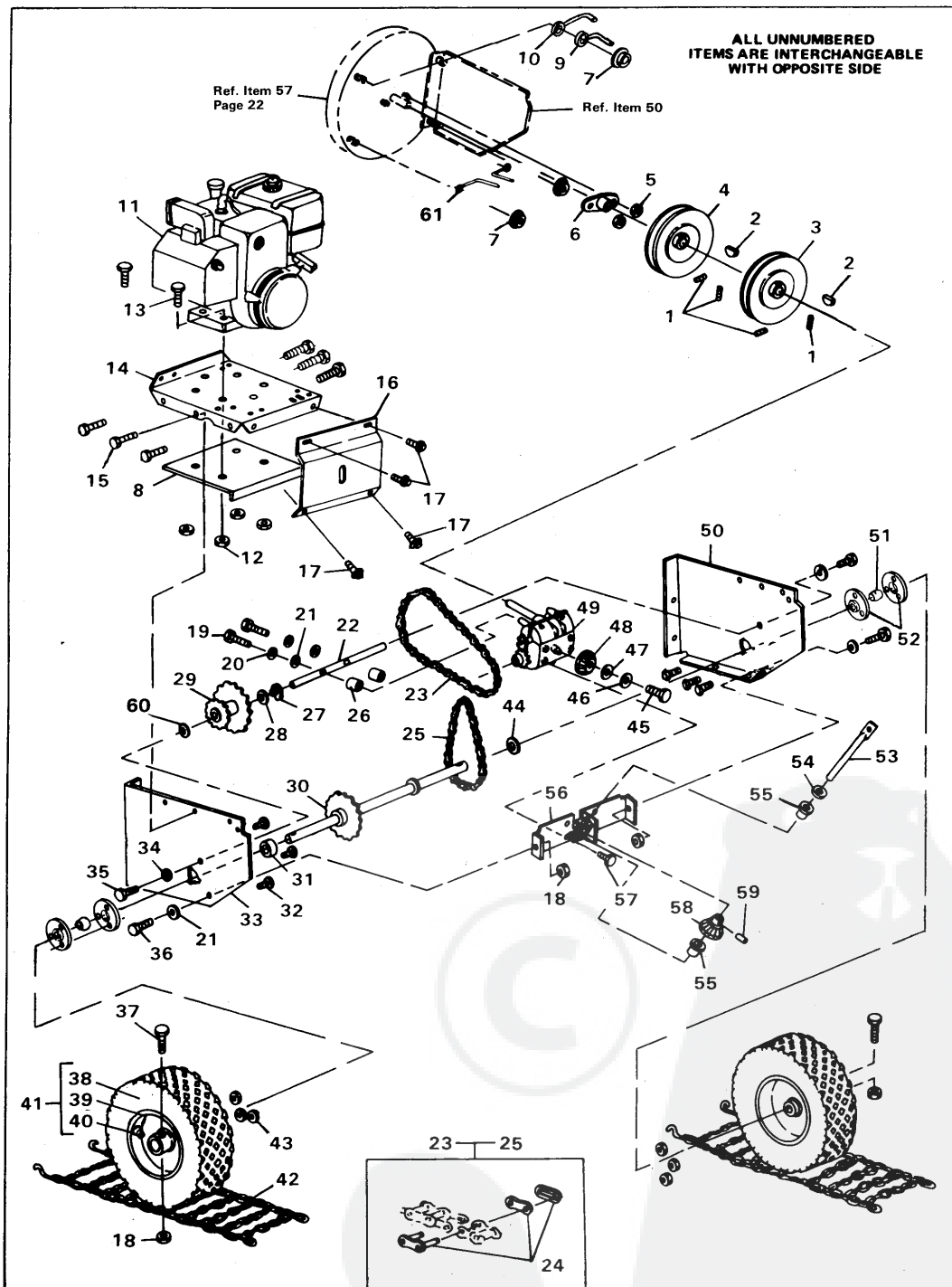
**26" SNOWTHROWER MODEL 5361-46**

Key No.	Part No.	Description
1	9424215	Locknut, 1/4-20 Thd
2	120385	*Flatwasher, 1/4 In.
3	180016	*Screw, Hex Hd, 1/4-20 x 1/2 In.
4	180075	*Screw, Hex Hd, 5/16-18 x 3/8 In.
5	48994	Plate, Idler Mount
6	40886	Screw, Hex Hd Tap, 1/4-20 x 3/8 In.
7	49018	Brace
8	120394	Washer, 13/32 In.
9	49527	Spring, Idler
10	49010	Arm, Wheel Drive
11	456836	Pin, 1/4 x 2 1/4 In.
12	49014	Pin, Clevis
13	49531	Spacer
14	56134	Bracket, Power Clutch Cable
15	121223	Cotter Pin, 1/16 x 3/4 In.
16	49019	Selector Assembly
17	50906	Spring
18	35144	Screw, Hex Hd Tap, 10-24 x 3/8 In.
19	49009	Arm, Impeller/Auger Drive
20	49016	Bracket, Mounting
21	49017	Plate
22	180023	*Screw, Hex Hd, 1/4-20 x 1 1/8 In.
23	55967	Spacer
24	55968	Spacer
25	120392	*Washer, 9/32 In.
26	41529	Locknut, Hex Jam, 3/8-16 Thd
27	50610	Pulley, Idler
28	274517	*Flatwasher, 13/32 In.
29	55965	Idler Arm, Auger

Key No.	Part No.	Description
30	50308	Screw, Hex Hd, 3/8-16 x 1 3/8 In.
31	180085	*Screw, Hex Hd, 5/16-18 x 1 3/4 In.
32	120393	*Flatwasher, 11/32 In.
33	55969	Spacer
34	998503	*Set Screw, 5/16-18 x 5/16 In.
35	55997	Pulley, Engine
36	33200	Key, Square, 1/4 x 1 1/2 In.
37	51309	Idler Arm, Primary
38	46511	Shoulder Bolt
39	48146	Flatwasher, 1/2 In.
40	57040	Mounting Bracket, Auxiliary
41	9413447	Locknut, 5/16-18 Thd
42	46161	Extension, Belt Cover
43	56224	Belt Cover
44	57104	Spring
45	180079	*Screw, Hex Hd, 5/16-18 x 1 In.
46	55963	Spacer
47	56133	Pad, Brake
48	55961	Brake Arm
49	50668	Screw, No. 10-14 x 1/2 In.
50	55964	Spacer
51	55962	Spring
52	181596	*Lockwasher, Int. Tooth, 5/16 In.
53	181596	*Screw, Hex Hd, 5/16-24 x 3/4 In.
54	120638	*Lockwasher, Split, 5/16 In.
55	49822	Belt Guide, L.H.
56	41728	Spacer
57	51304	V-Belt
58	120393	*Flatwasher, 11/32 In.

\*Standard Hardware Items - May Be Purchased Locally.

26" SNOWTHROWER MODEL 5361-46



**26" SNOWTHROWER MODEL 5361-46**

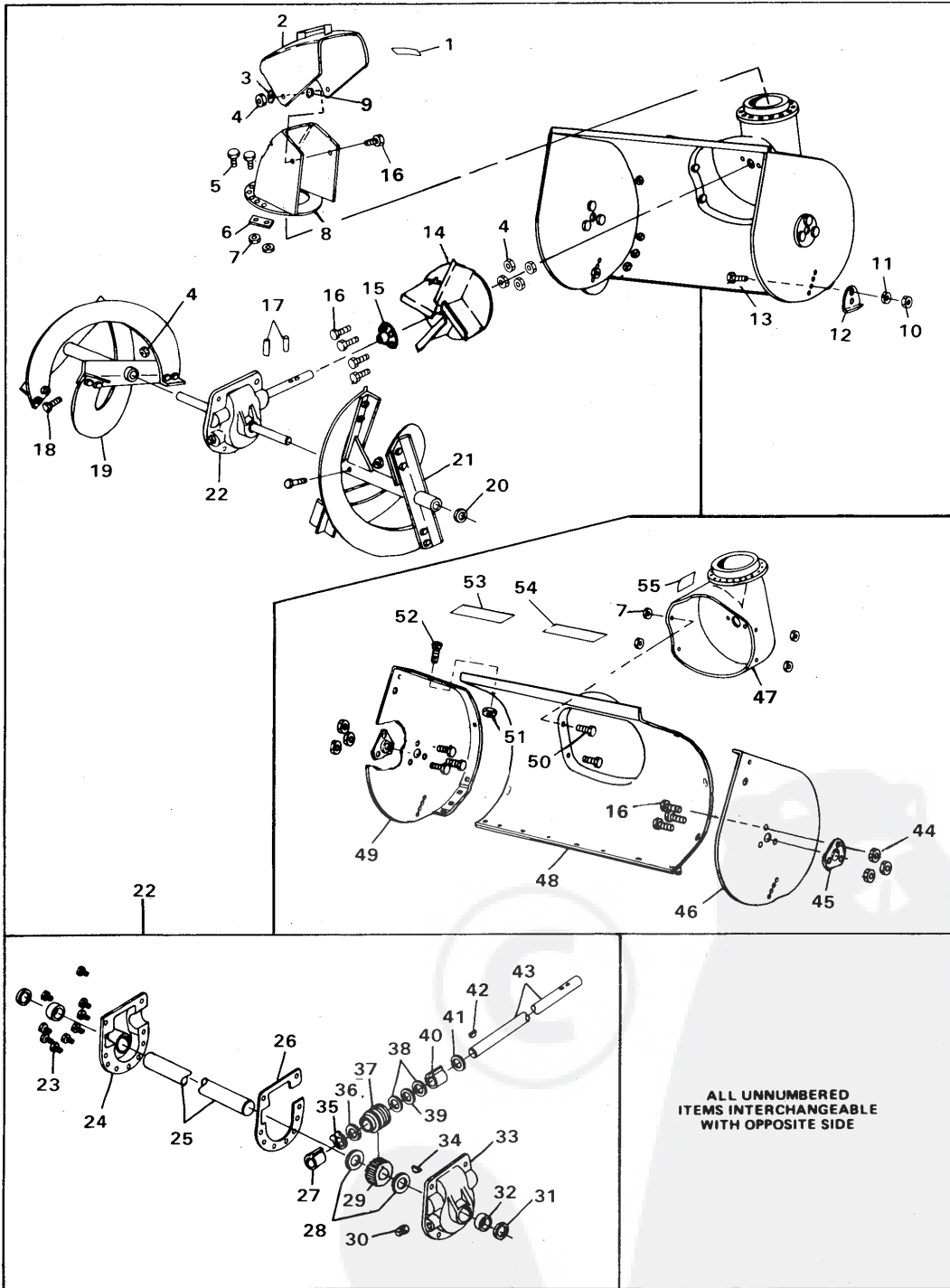
Key No.	Part No.	Description	Key No.	Part No.	Description
1	102883	*Set Screw, 5/16-18 x 3/4 In.	33	56317	Side Frame Assembly, Left
2	27324	Key, Hi-Pro No. 606	34	138485	*Lockwasher, Ext. Tooth, 5/16 In.
3	50158	Pulley, Transmission	35	41890	Shoulder Bolt
4	48388	Pulley, Impeller/Auger	36	180075	*Screw, Hex Hd, 5/16-18 x 5/8 In.
5	9413534	Locknut, 3/8-16 Thd	37	169	*Screw, Hex Hd, 5/16-18 x 1 1/8 In.
6	53266	Bearing, Impeller	38	47584	Tire
7	45905	Locknut, Wide Flange, 3/8-16 Thd	39	47583	Wheel
8	56965	Plate, Stiffener	40	24167	Valve Stem
9	54586	Belt Guide	41	47309	Wheel & Tire Assembly
10	49530	Belt Guide	42	51526	Chain, Tire
11	Engine	§See footnote below	43	46931	Locknut, Wide Flange, 1/4-20 Thd
12	44108	Locknut, Wide Flange, 5/16-18 Thd.	44	25177	*Flatwasher, 3/4 In.
13	454871	*Screw, Hex Hd, 5/16-18 x 1 1/2 In.	45	181566	*Screw, Hex Hd, 1/4-28 x 3/4 In.
14	48993	Plate, Engine Mount	46	120380	*Lockwasher, Split, 1/4 In.
15	42619	Screw, Taptite, 3/8-16 x 1/2 In.	47	120392	*Flatwasher, 9/32 In.
16	50164	Rear Cover	48	50460	Gear, Miter Drive
17	35144	Screw, Hex Hd Tap, No. 10-24 x 3/8 In.	49	Transmission	†Peerless Model 745 (see footnote)
18	9413447	Locknut, 5/16-18 Thd	50	56318	Side Frame Assembly, Right
19	180089	*Screw, Hex Hd, 5/16-18 x 2 1/4 In.	51	56037	Bearing
20	120638	*Lockwasher, Split, 5/16 In.	52	25072	Retainer, Bearing
21	996407	*Flatwasher, 5/16 In.	53	50147	Rod, Wheel Drive, Lower
22	50155	Shaft, Intermediate	54	2968	Flatwasher, 1/2 In.
23	43118	Roller Chain Assembly	55	50148	Bearing, Flanged
24	20307	Link, Connector	56	50163	Plate Assy., Transmission Mounting
25	50640	Roller Chain Assembly	57	35498	Screw, Hex Hd Tap, 5/16-18 x 3/4 In.
26	57042	Spacer	58	50461	Gear, Miter Driver
27	36625	Ring, Retaining	59	454512	Pin, Spring, 3/16 x 3/4 In.
28	642	Washer, 3/4 In.	60	54566	Thrust Washer
29	56966	Sprocket & Bearing Assembly	61	51314	Belt Guide
30	56029	Axle & Sprocket Assembly			
31	41709	Spacer			
32	36602	Carriage Bolt, 1/4-20 x 5/8 In.			

\*Standard Hardware Items - May Be Purchased Locally.

†Contact Tecumseh/Peerless authorized service dealer for parts and warranty.

§Contact Engine Manufacturer's authorized service dealer (See Engine Manual) for parts and warranty.

26" SNOWTHROWER MODEL 5361-46



**26" SNOWTHROWER MODEL 5361-46**

Key No.	Part No.	Description
1	69891	Decal, Caution
2	48488	Chute Assembly, Top
3	25840	Washer, Spring, 21/64 In.
4	9413447	Locknut, 5/16-18 Thd
5	180016	*Screw, Hex Hd, 1/4-20 x 1/2 In.
6	47240	Chute Clip
7	9424215	Locknut, Hex, 1/4-20 Thd
8	30480	Chute Assembly, Bottom
9	446363	*Flatwasher, 3/8 In.
10	271184	*Nut, Keps, 5/16-18 Thd
11	996407	*Flatwasher, 5/16 In.
12	27182	Skid
13	998013	*Carriage Bolt, 5/16-18 x 3/4 In.
14	44978	Impeller Assembly
15	48606	Rotor Shaft Assembly
16	180077	*Screw, Hex Hd, 5/16-18 x 3/4 In.
17	454565	Roll Pin, 1/4 x 1 1/4 In.
18	27386	Shear Bolt Kit
19	48772	Auger Assembly, R.H.
20	21970	Washer, 1 In.
21	48777	Auger Assembly, L.H.
22	48520	Gear Case Assy. (Incl. Nos. 23-43)
23	35498	Screw, Taptite, 5/16-18 x 3/4 In.
24	56250	Gear Box Assy., R.H. (Incl. No. 32)
25	48282	Shaft, Gear Box, Short
26	48270	Gasket, Gear Box
27	48273	Bearing, Input, Front
28	48271	Washer, Thrust
29	47801	Gear, Bronze

Key No.	Part No.	Description
30	23700	Pipe Plug
31	21922	Oil Seal
32	48269	Bearing
33	56249	Gear Box Assy., L.H. (Incl. No. 32)
34	21684	*Key, Hi-Pro No. 708
35	21681	Ring, Retaining
36	21682	Spring Washer
37	47787	Worm Gear
38	48275	Washer, Thrust
39	32397	Bearing, Needle
40	48274	Bearing
41	24274	Oil Seal
42	3021	*Key, Woodruff No. 606
43	48354	Shaft, Gear Box, Long
44	44108	Locknut, Wide Flange, 5/16-18 Thd
45	54424	Bearing, Auger
46	55199	Auger Housing End, L.H.
47	55973	Cover Assembly, Rotor
48	56242	Auger Cover & Scraper Assembly
49	55200	Auger Housing End, R.H.
50	57070	Screw, Hex Wa Hd, 1/4-20 x 1/2 In.
51	51335	Locknut, Wide Flange, 1/4-20 Thd
52	36602	Carriage Bolt, 1/4-20 x 5/8 In.
53	70142	Decal, Warning
54	70141	Decal, Warning
55	70143	Decal, Danger

\*Standard Hardware Items - May Be Purchased Locally.

**SEE, CALL OR WRITE ONE OF THE FOLLOWING DISTRIBUTORS FOR PARTS FOR: HOMKO - LAWN SCOUT - AMF - TURFMASTER - DYNAMARK - OR ANY OTHER WESTERN INTERNATIONAL INCORPORATED PRODUCT.**

**ALABAMA**

**Automotive Elect. Service**, 415 Meridian St., Huntsville, AL 35801, (205) 539-2131, AL WATS 800-536-3394 \*b,c,f,g,h  
**Warlick-Miller A/C Eng.**, 630 N. 20th St., Bessemer, AL 35020, (205) 424-8288, AL WATS 800-292-8123  
 MS WATS 800-292-4494 \*b,c,f,g,h

**CALIFORNIA**

**Billiou's**, 75 No. D, Porterville, CA 93257, (209) 784-4102 \*b,c,f,g,h  
**The Lawn Mower Shop**, 1340 El Camino Real, San Carlos, CA 94070, (415) 593-4716 \*a,d,f,g

**COLORADO**

**Spitzer Ind. Prod. Co.**, 6601 N. Washington, Thornton, CO 80229, (303) 287-3414 \*b,d,h

**FLORIDA**

**G.L.O. Products Inc.**, 13201 Belcher Rd. S., Largo, FL 33543, (813) 530-9723 \*a,c,h  
**Radco Distributors Inc.** 4909 Victor St., Box 5459, Jacksonville, FL 322070459, (904) 733-7957 \*a,c,f,g,h

**ILLINOIS**

**Cox Tire & Battery**, 603 N. Market, Marion, IL 62959, (618) 993-2607 IL WATS 800-642-4351 \*a,c,f,g,h  
**Garmoe Distr. Inc.**, 2620 N. Mannheim Road, Franklin Park, IL 60131, (312) 455-3588 \*a,c,f,g,h  
**Small Engine Parts**, 3515 Auburn St., Rockford, IL 61103, (815) 964-1754 \*b,c,f,g,h

**INDIANA**

**Thompson Sales & Service**, 2400 W. Ridge Road, Gary, IN 46408, (219) 980-3262 \*a,b,c,f,g,h

**IOWA**

**Bruce Engine**, 1829 N.W. 86th, Des Moines, IA 50322, (515) 278-5151 \*a,c,f,g,h

**KANSAS**

**Colladay Hdwe. Co.**, 201 N. Plum, Box 766, Hutchinson, KS 67501, (316) 663-4477 \*a,c

**KENTUCKY**

**Auto-Electric Inc.**, 715 W. Hwy 80, Box 671, Somerset, KY 42501, (606) 679-1171 \*c,f,g,h  
**Cayce Mill Supply Co.**, 1st & Douglas St., Hopkinsville, KY 42240, (502) 886-3335 \*f,g,i

**Ellingsworth Auto Electric**, 1003-08 E. Broadway, Louisville, KY 40204 (Serving Southern Indiana), (502) 585-5055, KY WATS (800) 722-5061 \*b,c,f,g,h

**LOUISIANA**

**United Engine Service, Inc.**, 11923 Cloverland Ave., Baton Rouge, LA 70809, (504) 291-2622 \*a,d,f,g,h

**MARYLAND**

**Center Supply Co.**, 6867 New Hampshire Ave., Takoma Park, MD 20912, (301) 270-1690 \*b,c,f,g,h  
**Kunkel Service Co.**, 6252 Frankford Ave., Baltimore, MD 21206, (301) 377-4008, MD WATS 800-492-8886 \*b,c,f,g,h

**MASSACHUSETTS**

**Morton B. Collins Co.**, 300 Birnie Ave., Box 70058, Springfield, MA 01107, (413) 732-7449 \*a,c,g,h  
**Crandall-Hicks Co.**, 250 Eliot St., Ashland, MA 01721, (617) 881-6122 \*a,d

**MICHIGAN**

**Air Cooled Engine Div.**, 615 First St., Menominee, MI 49858, (906) 863-8011, MI WATS (906 area only) 800-562-4825 \*a,c,f,g,h  
**The Factory Branch**, 440 E. Prospect, Jackson, MI 49203, (517) 783-3201 \*b,c,f,g,h

**MINNESOTA**

**Northern Automotive Co.**, 1401 W. Broadway, Minneapolis, MN 55411, (612) 522-6656 \*a,c,f,g,h

**MISSISSIPPI** see Bessemer, Alabama

**MISSOURI**

**Gunther's Service & Supply**, 7320 Wornall Road, Kansas City, MO 64114, (816) 523-1952 \*a,f,g,h  
**Wilson Engine & Parts Inc.**, 4159 Shoreline Drive, Jct. I-70 & 270, Earth City, MO 63045, (314) 739-1313, MO WATS 800-392-4063, WATS (outside MO only) 800-367-2787 \*a,b,d,f,g,h

**NEW JERSEY**

**Power Distributors, Inc.**, 102 Mayfield Ave., Edison, NJ 08837, (201) 225-4922 \*

**NEW YORK**

**Loegler & Ladd Inc.**, 3950 Broadway, Box 214, Buffalo, NY 14225, (716) 684-0600 \*a,c  
**Stiefvater Distr. Inc.**, Clinton Road, Route 12B, New Hartford, NY 13413, (315) 853-5581 \*a,c,f,g,h

**NORTH CAROLINA**

**Carswell Distr. Co.**, 3750 N. Liberty St., Box 4193, Winston-Salem, NC 27105, (919) 767-7700 \*g,i  
**Dixie Sales Co., Inc.**, 335 N. Green, Box 1408, Greensboro, NC 27402, (919) 274-0490, NC WATS 800-632-1276 \*b,c,f,g,h

**OHIO**

**American Power Distr.**, 2430 Tremainsville Rd., Box 5815, Toledo, OH 43613, (419) 475-7261 \*f,g,h  
**Small Engine Distr.**, 5250 N. Dixie, Box 1481, Dayton, OH 45414, (513) 278-8241 \*b,f,g,h

**OKLAHOMA**

**Albro's**, 2921 W. Hefner Rd., Oklahoma City, OK 73120, (405) 751-1711 \*a,c,f,g,h

**PENNSYLVANIA**

**Bluemont Co.**, 11101 Frankstown Road, Pittsburg, PA 15235, (412) 242-2522 \*a,b,c,f,g,h  
**Scranton Auto Ignition**, 1133 Wyoming Ave., Scranton, PA 18509, (717) 342-8133 \*b,c,f,g,h

**SOUTH CAROLINA**

**Magneto & Elect. Service**, 103 Assembly St., Columbia, SC 29201, (803) 771-4044, SC WATS 800-922-1118 \*a,c,f,g,h

**TENNESSEE**

**American Sales & Serv.**, 3035 Bellbrook Dr., Memphis, TN 38116, (901) 332-2210 \*a,d,f,g,h  
**Chilton A/C Engines**, 319 4th Ave. S., Box 15806, Nashville, TN 37201, (615) 254-1634 \*b,c,f,g,h  
**Ace Distr., Inc.**, 2103 E. Magnolia Ave., Box 3587, Knoxville, TN 37917, (615) 524-5359, TN WATS 800-332-9904 \*a,c,f,g,h

**TEXAS**

**Marr Bros. Inc.**, 423 E. Jefferson, Dallas, TX 75203, (214) 948-7387 \*a,c,f,g,h  
**Midland Small Engine Sales**, 106 Carlton, Box 4215, Midland, TX 79704, (915) 682-1409 \*b,f,g,h

**VIRGINIA**

**Norva Small Engines**, 8120 E. Wellington Rd., Manassas, VA 22110, (703) 369-3387 \*a,c,f,g,h  
**RBI Corporation**, 101 Cedar Ridge Rd., Lakeridge Park, Ashland, VA 23005, (804) 798-1535 \*a,c,f,g,h

**WASHINGTON**

**Pacific A/C Engine Inc.**, 4030 1st Ave. S., Box 84783, Terminal Annex, Seattle, WA 98124, (206) 682-4677 \*a,c,f,g,h

**WISCONSIN**

**Reliable Hdwe.**, 8010 N. 76th St., Milwaukee, WI 53223, (414) 355-2900 \*b,c,f,g,h  
**Wiggert Brothers**, 3rd & Jay, Box 1267, La Crosse, WI 54601, (608) 784-4790 \*a,b,c,f,g,h

**CANADA**

**Sunterest Equipment Ltd.**, 5466 Timberlea Blvd., Mississauga, Ontario, Canada L4W 2T7, (416) 624-6200 \*g,i  
**Yetman's Ltd.**, 949 Jarvis Ave., Winnipeg, Manitoba, Canada R2X 0A1, (204) 586-8046, WATS (Manitoba & Sask.) 800-665-8623 \*b,c,f,g

Revised 4/2/86

**(\*) General Information Codes:**

- (a) Advance Payment Preferred
- (b) Accepts Credit Cards
- (c) C.O.D. okay
- (d) No. C.O.D.
- (e) C.O.D. only
- (f) Briggs & Stratton dealer or distributor
- (g) Tecumseh/Peerless dealer or distr.
- (h) Foote dealer or distributor
- (i) Dealer sales only, contact for closest dealer.