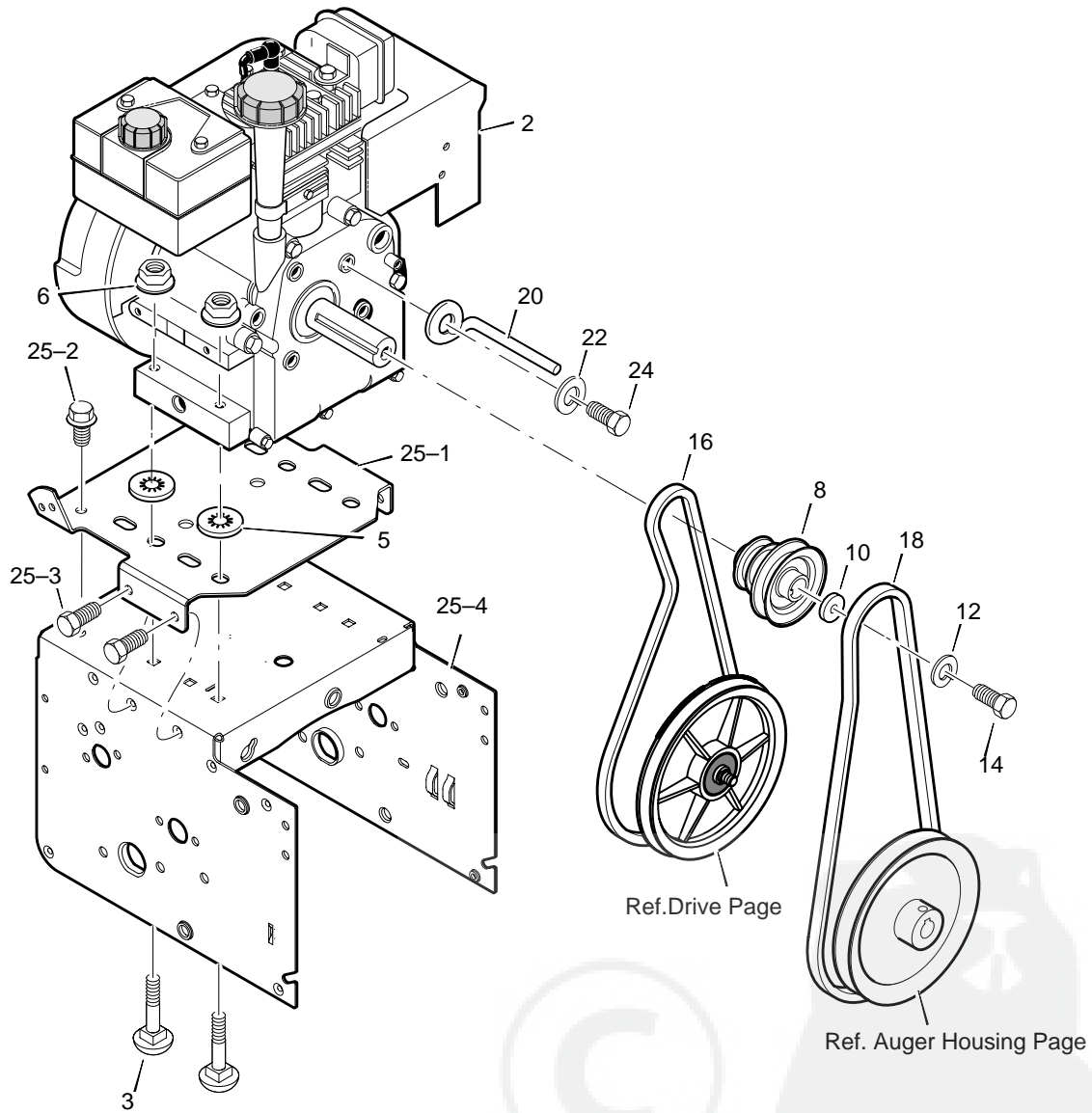


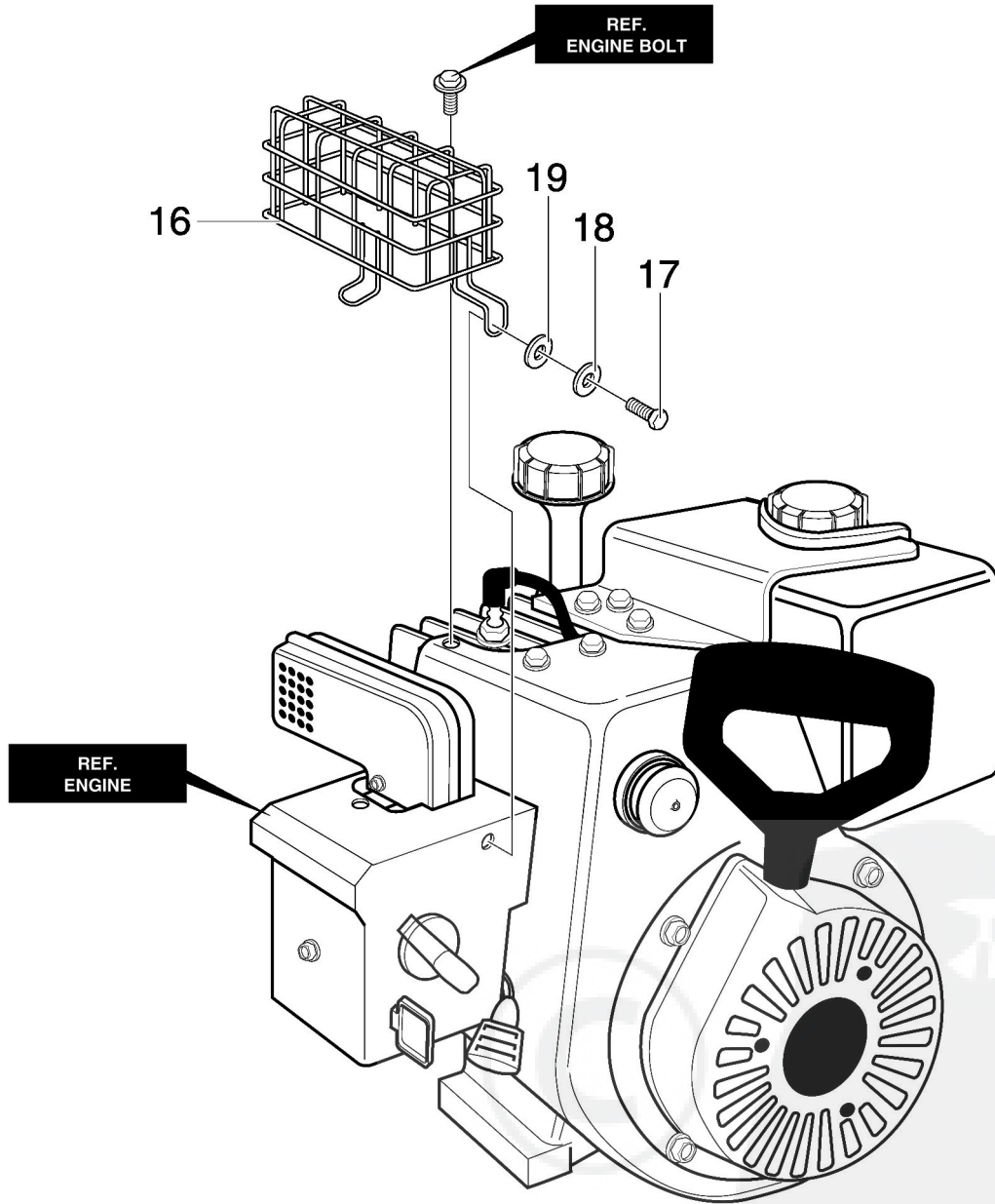
MODEL 624505x54D

REPAIR PARTS ENGINE



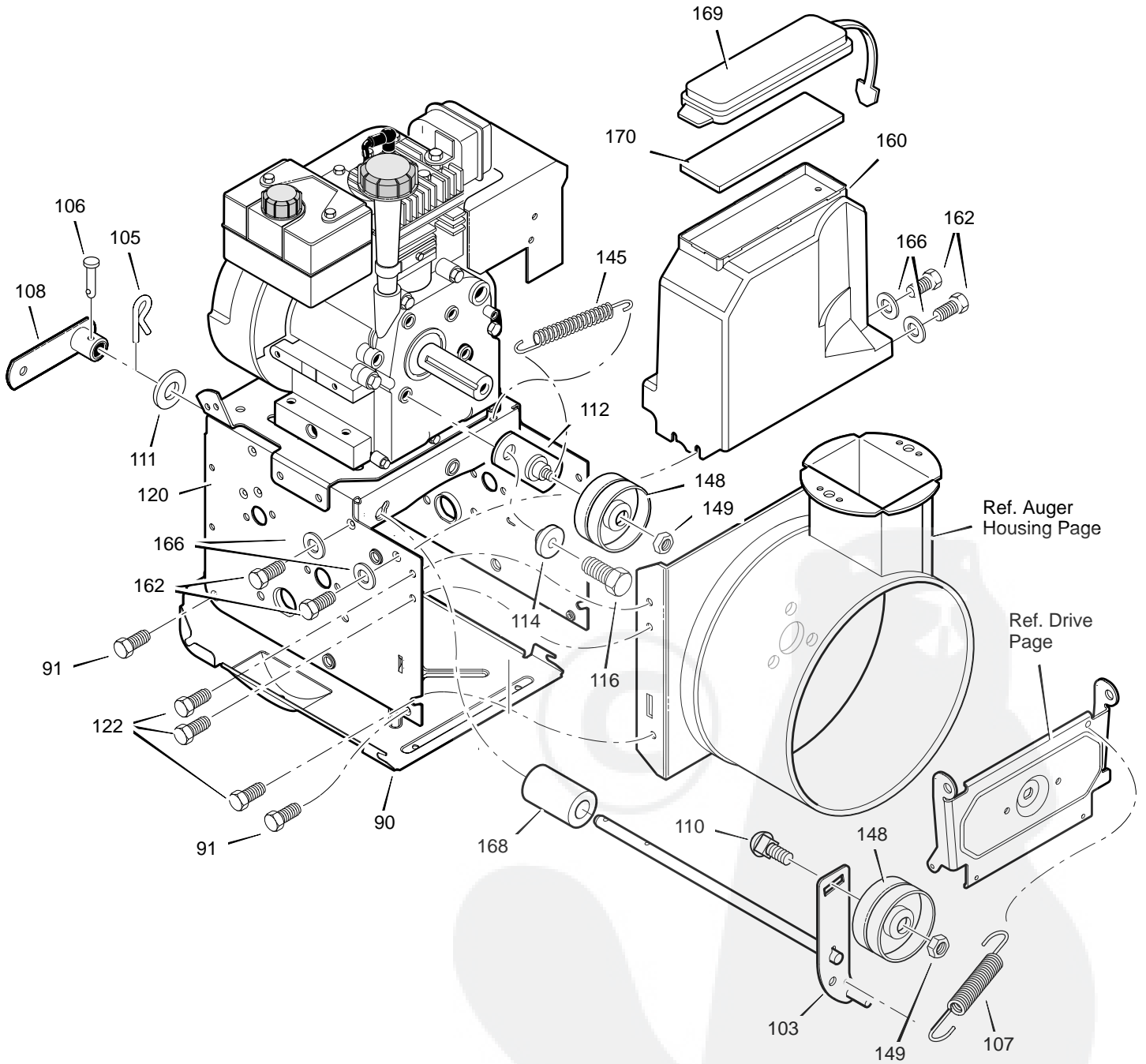
ENG100A

| Key No. | Part No. | Description |
|---------|-------------|---------------------------|
| 2 | ----- | ENGINE |
| 3 | 2x97 | BOLT, CARRIAGE 5/16-18 |
| 5 | 28x76 | RETAINER, PUSH |
| 6 | 710026 | NUT, HEXWDFLLK 5/16-18 |
| 8 | 1501109 | PULLEY, ENGINE |
| 10 | 710247 | WASHER |
| 12 | 71063 | WASHER, HVSP TLK .38ID |
| 14 | 71015 | SCREW, 3/8-24X1.00 |
| 16 | 579932 | BELT, V 3L 33.13LG |
| 18 | 37x120 | BELT, V 4L35.6 LG |
| 20 | 1501201 | GUIDE, BELT |
| 22 | 71060 | WASHER, SPTLK .31X.58X.08 |
| 24 | 710097 | SCREW, 5/16-24X .75 |
| 25 | ----- | FRAME, MOTORBOX |
| 25-1 | 1501062E245 | PLATE, ENGINE MOUNT |
| 25-2 | 310169 | SCREW, TAP 1/4-20 X .63 |
| 25-3 | 780055 | SCREW, TAP 5/16-18 X .50 |
| 25-4 | 1501049E245 | FRAME, MOTOR BOX |
| — | F-021020L | OWNER'S MANUAL |

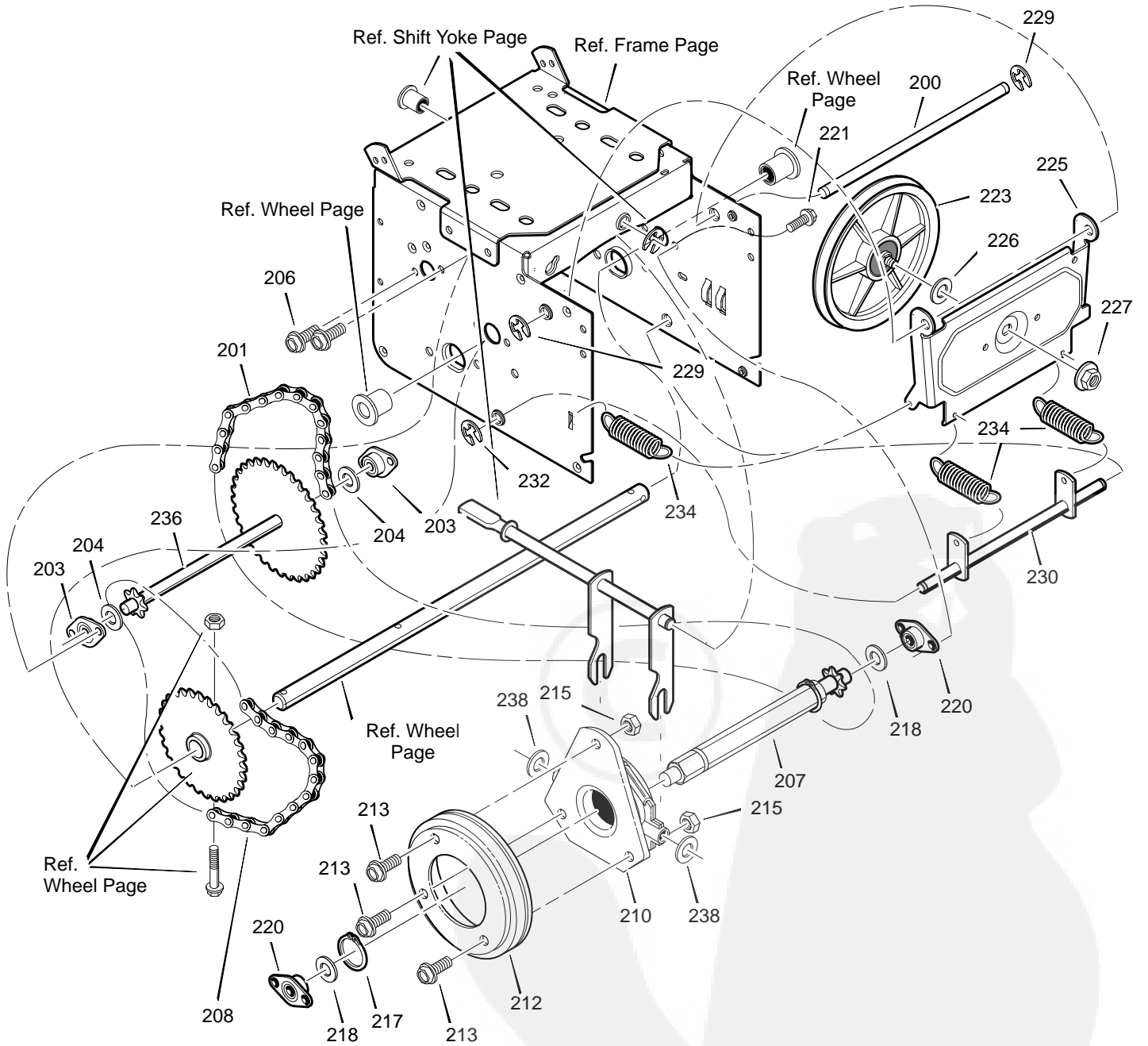


337208

| Key No. | Part No. | Description |
|---------|----------|----------------|
| 16 | 578934 | GUARD, MUFFLER |
| 17 | 304807 | SCREW |
| 18 | 304810 | WASHER |
| 19 | 304809 | WASHER |



| Key No. | Part No. | Description |
|---------|-------------|------------------------------|
| 90 | 1501055E717 | COVER, BOTTOM |
| 91 | 310169 | SCREW, 1/4-20X .63 |
| 103 | 1501111 YZ | IDLER ASSEMBLY, AUGER |
| 105 | 711682 | PIN, HAIR .38DIA X 1.64LG |
| 106 | 761761 | PIN, KLIK 3/16" DIA |
| 107 | 165X160 | SPRING, TENSION |
| 108 | 761675 YZ | ASSY., SPRING ATTACH |
| 110 | 585781 | BOLT, 3/8-16X1.25 CARR. |
| 111 | 711617 | WASHER, FLAT |
| 112 | 1501112 YZ | BRACKET ASSEMBLY, IDLER |
| 114 | 1501065 | BUSHING, IDLER BRACKET |
| 116 | 710097 | SCREW 5/16-24 X .75 |
| 118 | 71060 | WASHER, SPLIT |
| 122 | 780055 | SCREW, TAP 5/16-18 X .50 |
| 145 | 53704 | SPRING, IDLER TRACTION DRIVE |
| 148 | 50793 | PULLEY, IDLER |
| 149 | 590 | NUT, JAM 3/8-16 |
| 160 | 1501172 | COVER, BELT |
| 162 | 310169 | SCREW, TAP 1/4-20 X .63 |
| 166 | 71067 | WASHER, FLAT |
| 168 | 1501200 | SPACER, AUGER BRACKET |
| 169 | 761167 | LID, TOOL BOX |
| 170 | 761187 | PAD, FOAM |

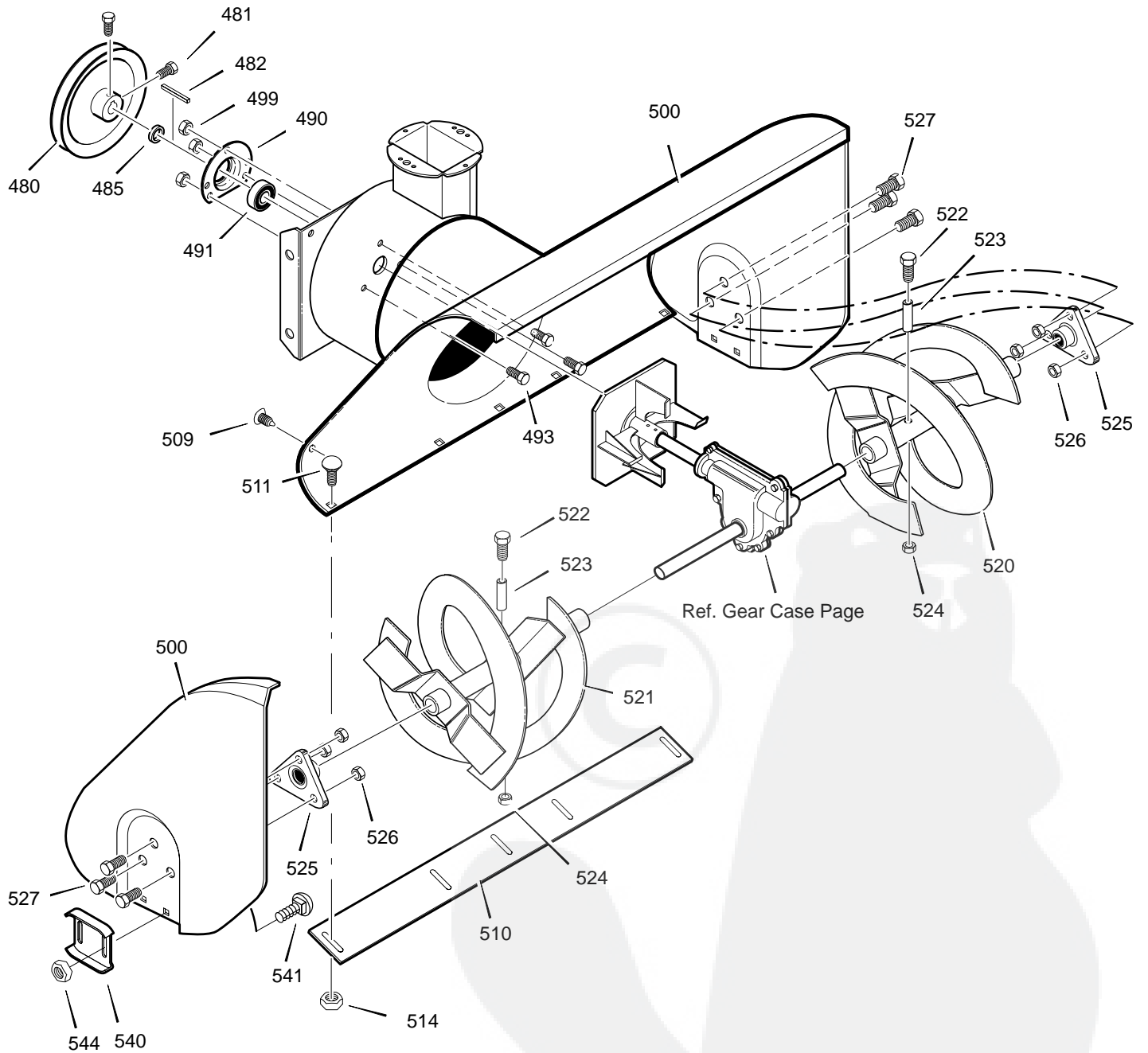


DR100A

| Key No. | Part No. | Description |
|---------|------------|------------------------------|
| 200 | 1501092 YZ | LF AXLE, SWING PLATE YZ |
| 201 | 579851 | CHAIN, ROLLER #42x19.00 |
| 203 | 334163 | BEARING AND RETAINER, ASSY |
| 204 | 579858 | WASHER |
| 206 | 780055 | SCREW, TAP 5/16-18x0.5 |
| 207 | 1501100 | ASSY, HEX SHAFT |
| 208 | 579868 | CHAIN, ROLLER #36x18.00 LG |
| 210 | 337029 | BEARING, TRUNION CLUTCH R |
| 212 | 53830 | WHEEL, FRICTION DISC |
| 213 | 1X38 | SCREW |
| 215 | 303008 | NUT, KEPS HEX 1/4-20 |
| 217 | 579859 | RING, RETEXT |
| 218 | 579858 | WASHER |
| 220 | 334163 | BEARING AND RETAINER, ASSY |
| 221 | 780055 | SCREW, TAP 5/16-18 x .5 |
| 223 | 1501115 | ASSY, FRICTION PULLEY |
| 225 | 1501057 YZ | LF PLATE, SWINGING YZ |
| 226 | 1501158 | SPACER, FRICTION PULLEY |
| 227 | 15X114 | NUT, FLANGE LOCK 3/8-24 |
| 229 | 11X30 | RETAINER, RING |
| 230 | 1501107 YZ | LF ASSY, SPRING LINK YZ |
| 232 | 11X30 | RETAINER, RING |
| 234 | 165X112 | SPRING, EXTENSION |
| 236 | 1501090 | WLD, INTERMED SPROCKET 33T/7 |
| 238 | 71074 | WASHER, FLAT |

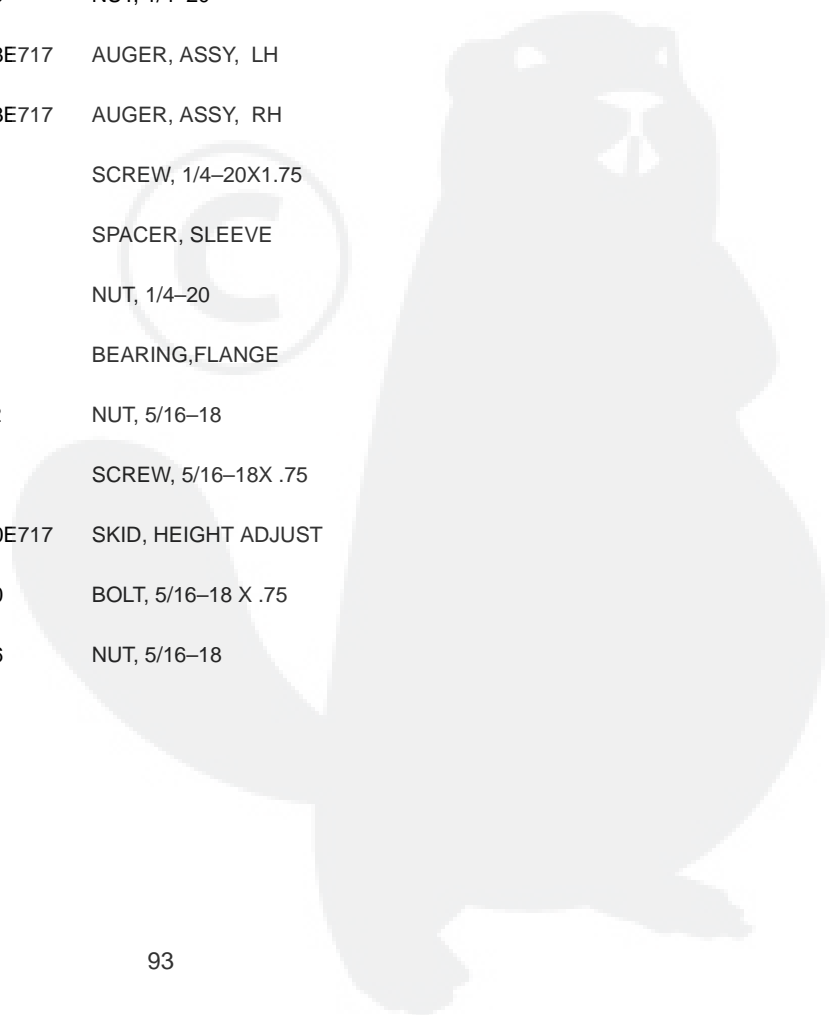
MODEL 624505x54D

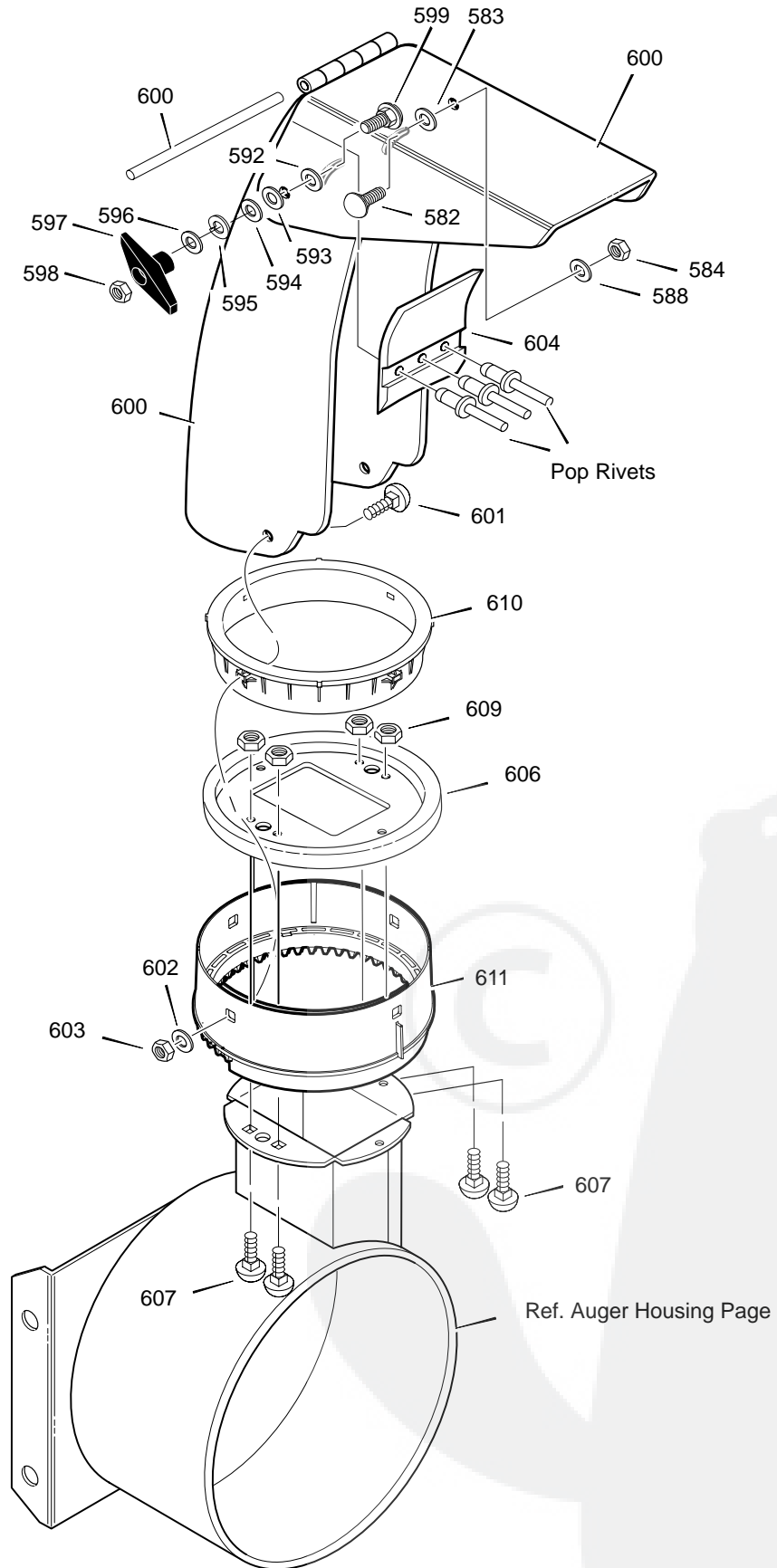
REPAIR PARTS AUGER HOUSING



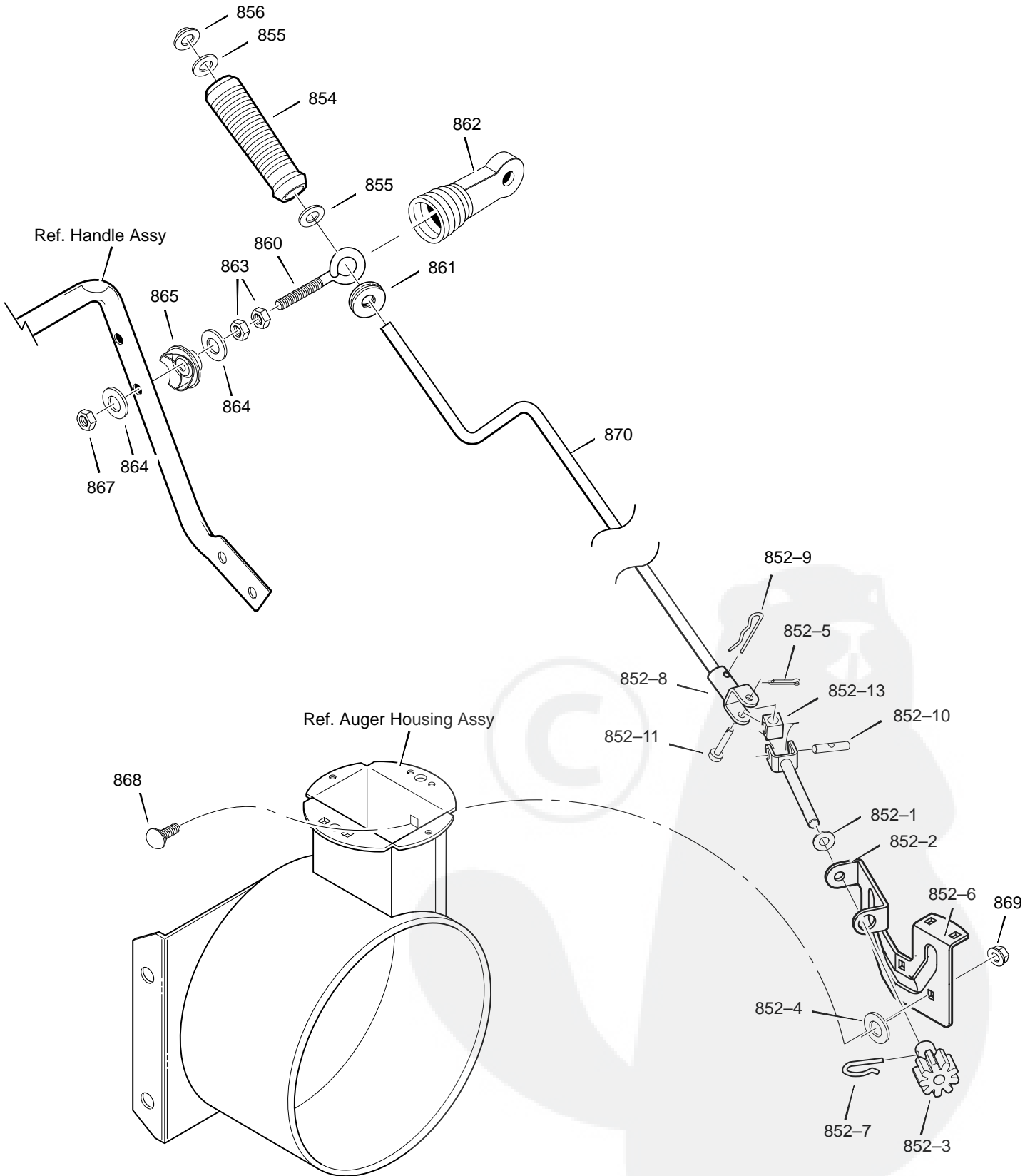
AUG100A

| Key No. | Part No. | Description |
|---------|-------------|-------------------------|
| 480 | 762146 | PULLEY, 4L 6.12X .67 |
| 481 | 577400 | SCREW, 5/16-18X.63 |
| 482 | 2001022 | KEY, SQUARE 3/16 X 3/4 |
| 485 | 1501158 | SPACER, FRICTION PULLEY |
| 490 | 582957 YZ | RETAINER, BALL BRNG |
| 491 | 43846 | BEARING, BALL |
| 493 | 1X92 | BOLT, HEX 5/16-18X .50 |
| 499 | 710026 | NUT, 5/16-18 HEXWDFLLK |
| 500 | 1501173E276 | HOUSING, ASSY |
| 502 | 309235 | FASTENER, RATCHET |
| 510 | 581397E717 | BLADE, SCRAPER 24" |
| 511 | 340714 | BOLT, 1/4-20X.75 |
| 514 | 780285 | NUT, 1/4-20 |
| 520 | 340518E717 | AUGER, ASSY, LH |
| 521 | 340523E717 | AUGER, ASSY, RH |
| 522 | 9524 | SCREW, 1/4-20X1.75 |
| 523 | 3943 | SPACER, SLEEVE |
| 524 | 73826 | NUT, 1/4-20 |
| 525 | 9517 | BEARING, FLANGE |
| 526 | 711862 | NUT, 5/16-18 |
| 527 | 9357 | SCREW, 5/16-18X .75 |
| 540 | 301380E717 | SKID, HEIGHT ADJUST |
| 541 | 340720 | BOLT, 5/16-18 X .75 |
| 544 | 710026 | NUT, 5/16-18 |



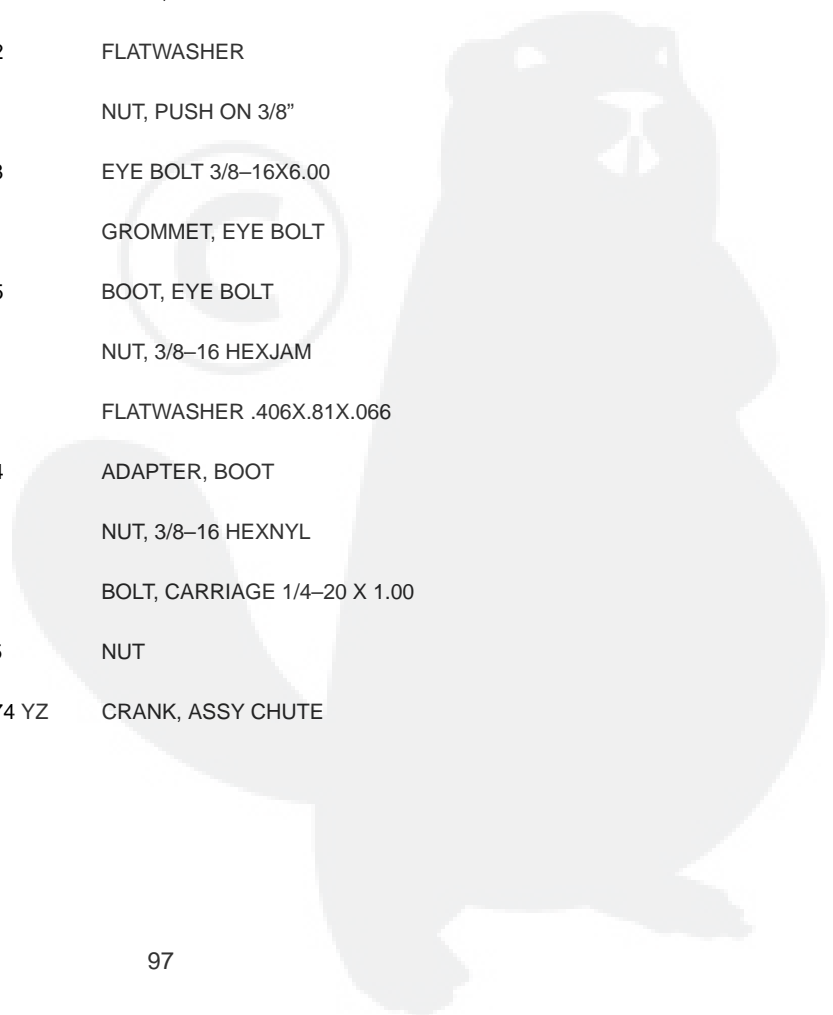


| Key No. | Part No. | Description |
|---------|------------|-----------------------------|
| 582 | 340720 | BOLT, CARRIAGE 5/16-18 X.75 |
| 583 | 12021 | WASHER, PLASTIC |
| 584 | 71038 | NUT, 5/16-18 REGHEX NYLOCK |
| 588 | 6711 | WASHER, PLASTIC |
| 592 | 12021 | WASHER, PLASTIC |
| 593 | 6711 | WASHER, PLASTIC |
| 594 | 71071 | WASHER, FLAT |
| 595 | 71060 | WASHER, SPLIT |
| 596 | 71071 | WASHER, FLAT |
| 597 | 57171 | KNOB, T 3.00 |
| 598 | 71037 | NUT, 5/16-18 REGHEX |
| 599 | 3316 | BOLT, 5/16-18X1.00 |
| 600 | 760018E717 | CHUTE ASSEMBLY |
| 601 | 2x100 | BOLT, 5/16-18 X1.00 |
| 602 | 71071 | WASHER, FLAT |
| 603 | 71038 | NUT, 5/16-18 HEXNYL |
| 604 | 760268 | FLAP, CHUTE |
| 606 | 585214 YZ | CHUTE COLLAR |
| 607 | 340714 | SCREW, 1/4-20 X 0.75 |
| 609 | 780029 | NUT, 1/4-20 HEX NYLOCK |
| 610 | 337227 | RETAINER RING INNER |
| 611 | 1501282 | RETAINER RING OUTER |



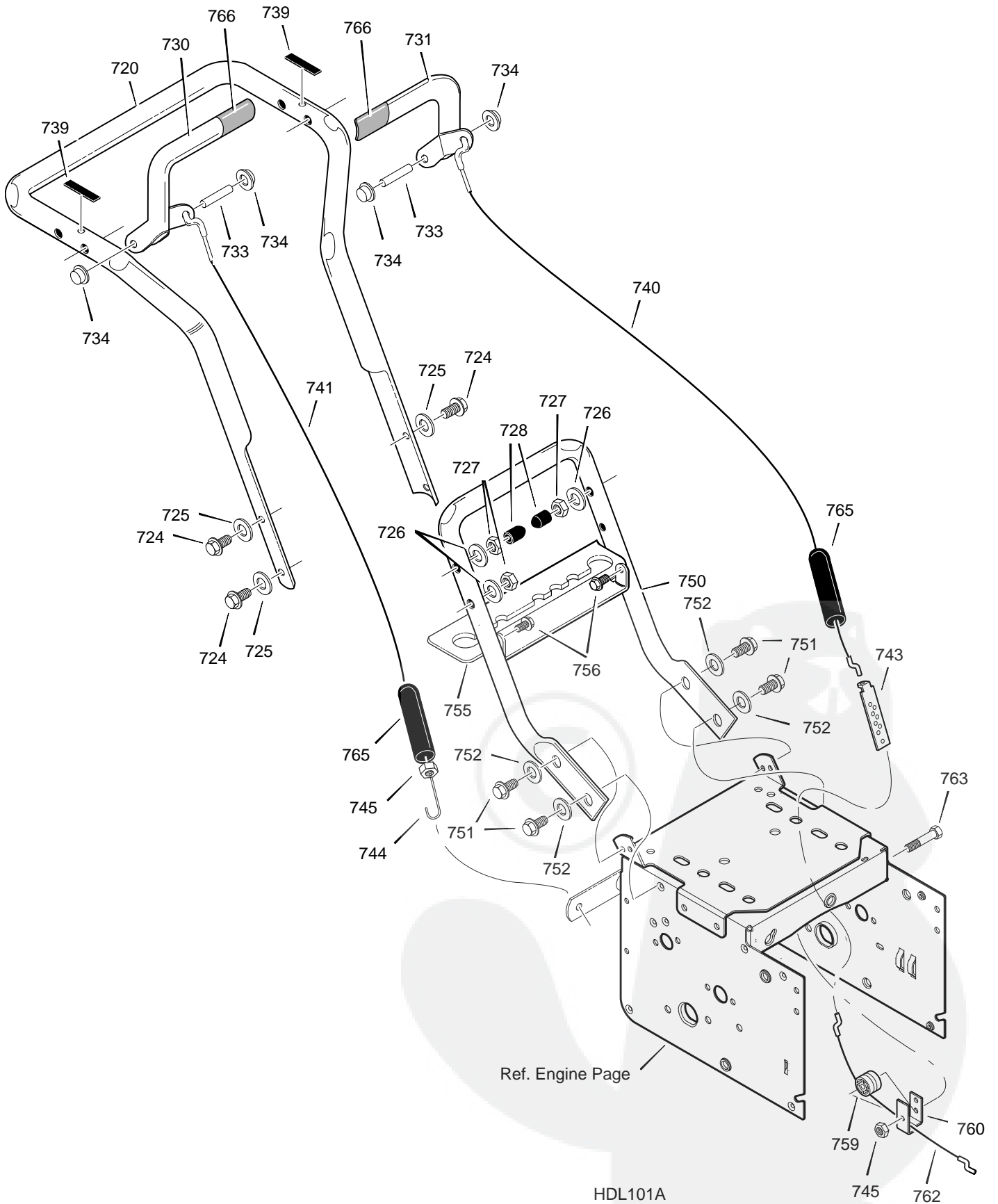
CROD101B

| Key No. | Part No. | Description |
|---------|-------------|------------------------------|
| 852-1 | 1501309 YZ | ASSEMBLY, YOKE & ROD |
| 852-2 | 313431 | WASHER, CURVED SPRING |
| 852-3 | 1501067 | GEAR, CHUTE ROTATION 9T |
| 852-4 | 17X170 | WASHER |
| 852-5 | 71082 | PIN, COTTER |
| 852-6 | 1501306E701 | BRACKET, GEAR MOUNT |
| 852-7 | 1501293 | PIN, HAIR |
| 852-8 | 1501075 YZ | ASSEMBLY, YOKE ADAPTER YZ |
| 852-9 | 711682 | PIN, HAIR |
| 852-10 | 578060 | PIN, UNIVERSAL JOINT |
| 852-11 | 578309 | PIN, CLEVIS |
| 852-13 | 578063 | HOUSING, UNIVERSAL |
| 854 | 307399 | KNOB, SLEEVE |
| 855 | 309312 | FLATWASHER |
| 856 | 73664 | NUT, PUSH ON 3/8" |
| 860 | 581618 | EYE BOLT 3/8-16X6.00 |
| 861 | 148 | GROMMET, EYE BOLT |
| 862 | 308145 | BOOT, EYE BOLT |
| 863 | 71045 | NUT, 3/8-16 HEXJAM |
| 864 | 71072 | FLATWASHER .406X.81X.066 |
| 865 | 309344 | ADAPTER, BOOT |
| 867 | 71046 | NUT, 3/8-16 HEXNYL |
| 868 | 2X98 | BOLT, CARRIAGE 1/4-20 X 1.00 |
| 869 | 15x145 | NUT |
| 870 | 1501074 YZ | CRANK, ASSY CHUTE |



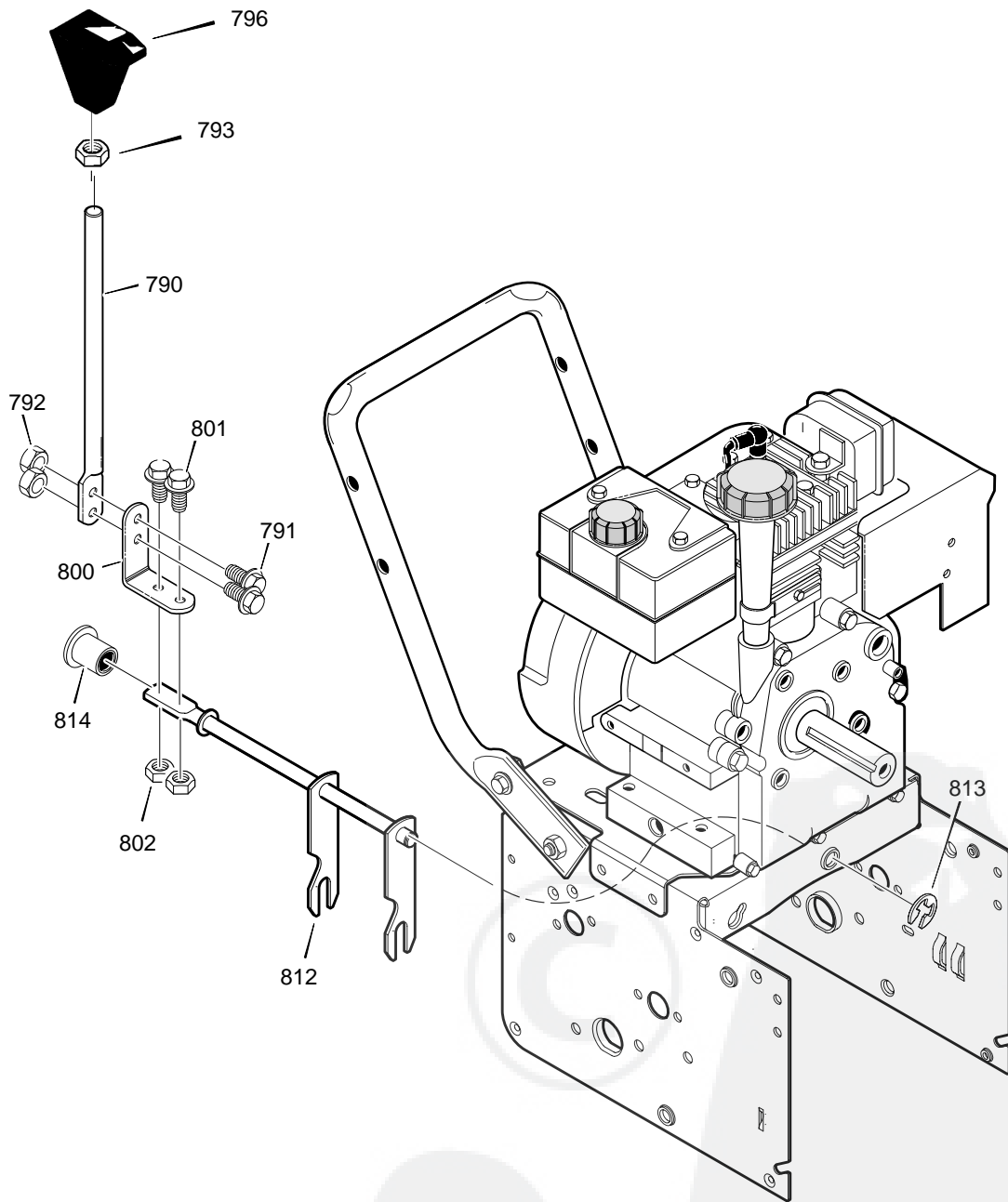
MODEL 624505x54D

REPAIR PARTS HANDLE



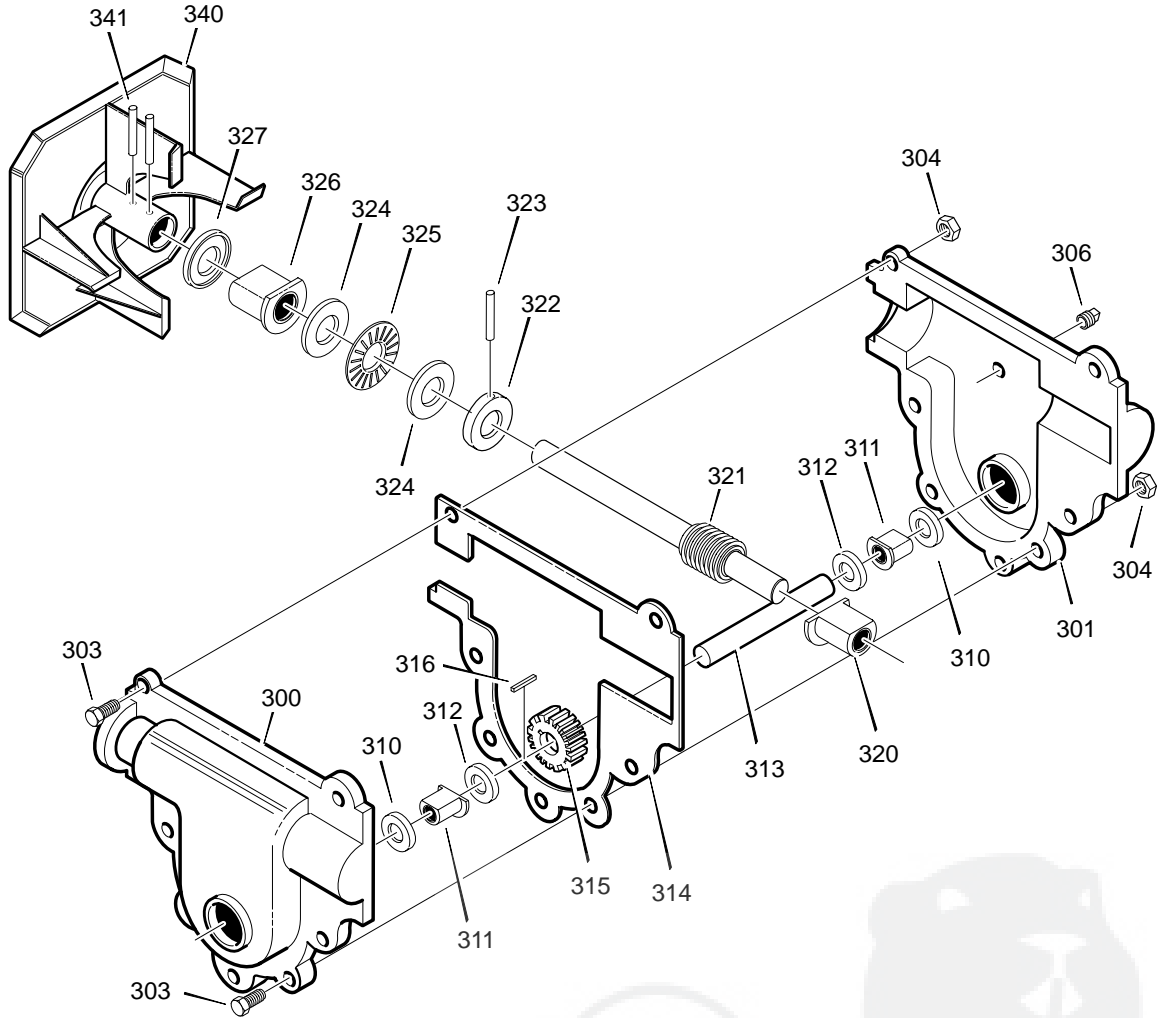
| Key No. | Part No. | Description |
|---------|------------|---------------------------|
| 720 | 321835E717 | HANDLE, UPPER |
| 724 | 11234 | SCREW, 5/16-18X2.75 |
| 725 | 71071 | WASHER, FLAT |
| 726 | 71060 | WASHER, SPTLK .31X.58X.08 |
| 727 | 15x144 | NUT, 5/16-18 |
| 728 | 11261 | STOP, RED PLASTIC |
| 730 | 301386E717 | CLUTCH HANDLE, RIGHT |
| 731 | 301387E717 | CLUTCH HANDLE, LEFT |
| 733 | 4140 | PIN, PIVOT CLUTCH |
| 734 | 3535 | NUT, PUSH ON CAP |
| 739 | 4049 | BUMPER, RECTANGLE |
| 740 | 1501123 | CABLE, CLUTCH 28.44L |
| 741 | 761589 | CABLE, AUGER CLUTCH |
| 743 | 313441 | BRACKET, CABLE ADJUSTER |
| 744 | 1673 | SPRING, AUGER CLUTCH |
| 745 | 780029 | NUT, 1/4-20 |
| 750 | 339541E717 | HANDLE, LOWER |
| 751 | 70984 | SCREW, TAP 5/16-18 X .75 |
| 752 | 71060 | WASHER, SPTLK |
| 755 | 337407E717 | BRKT, GEAR SELECTOR |
| 756 | 310169 | SCREW, 1/4-20 x 0.63 |
| 759 | 579860 | SPOOL-CABLE, AUGRT CLUTCH |
| 760 | 1501059 YZ | BRACKET, CABLE SPOOL YZ |
| 762 | 1501122 | CABLE, LOWER DRIVE 12" |
| 763 | 001798 | BOLT, HEX 1/4-20 X 1.50 |
| 765 | 308146 | BOOT, CLUTCH SPRING |
| 766 | 333927 | GRIP |





SYOKE100A

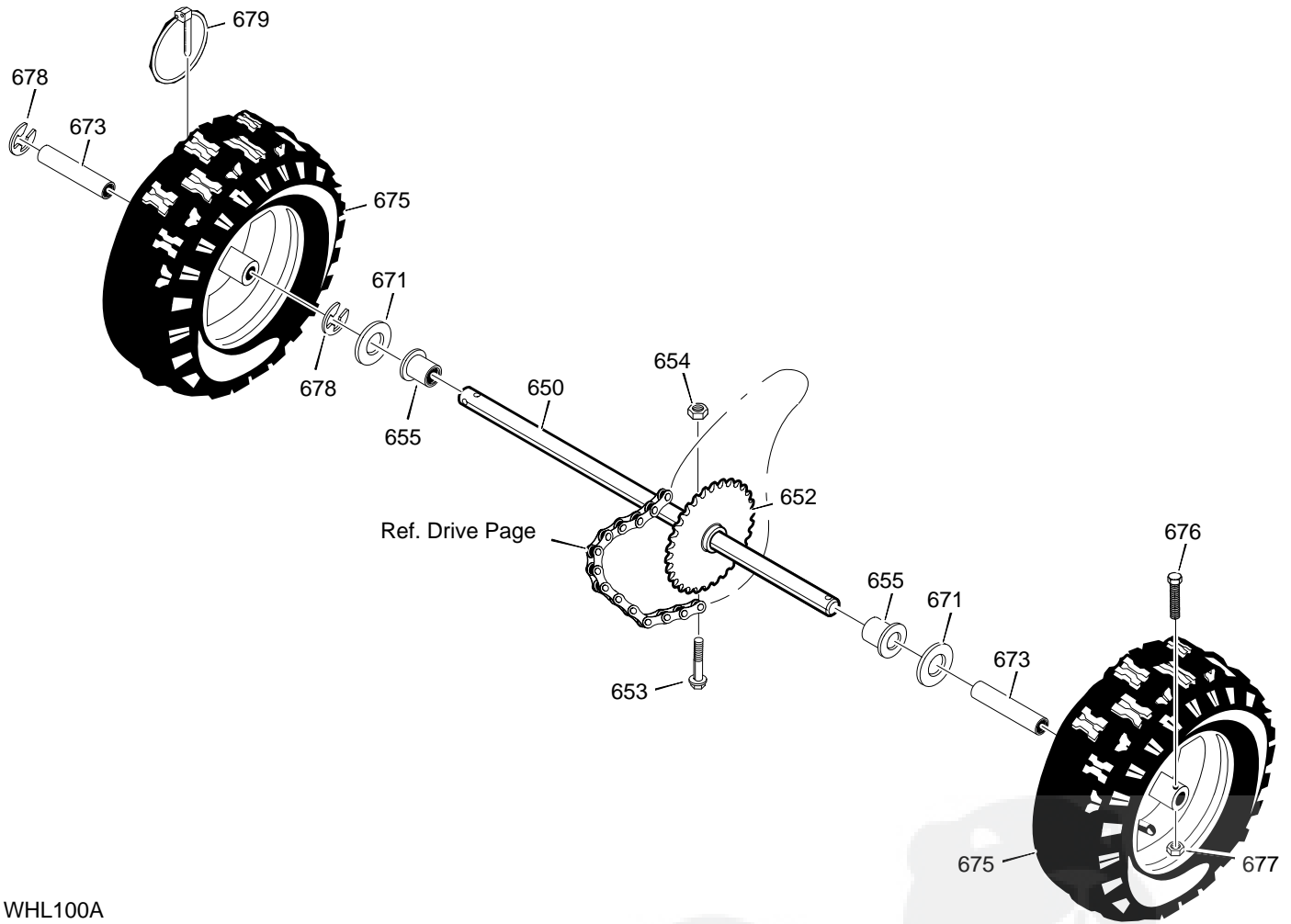
| Key No. | Part No. | Description |
|---------|------------|-------------------------|
| 790 | 581631E717 | ROD, SHIFT |
| 791 | 302628 | SCREW, 1/4-20X.75 |
| 792 | 73826 | NUT, 1/4-20 |
| 793 | 318486 | NUT, JAM |
| 796 | 304438 | KNOB |
| 800 | 760564 | LEVER, SPRING |
| 801 | 302628 | SCREW, 1/4-20X.75 |
| 802 | 73826 | NUT, 1/4-20 |
| 811 | 579944 | BEARING, FLANGED |
| 812 | 1501085 YZ | ROD ASSY., SPEED SELECT |
| 813 | 11X30 | RETAINER, RING |



GEAR100A

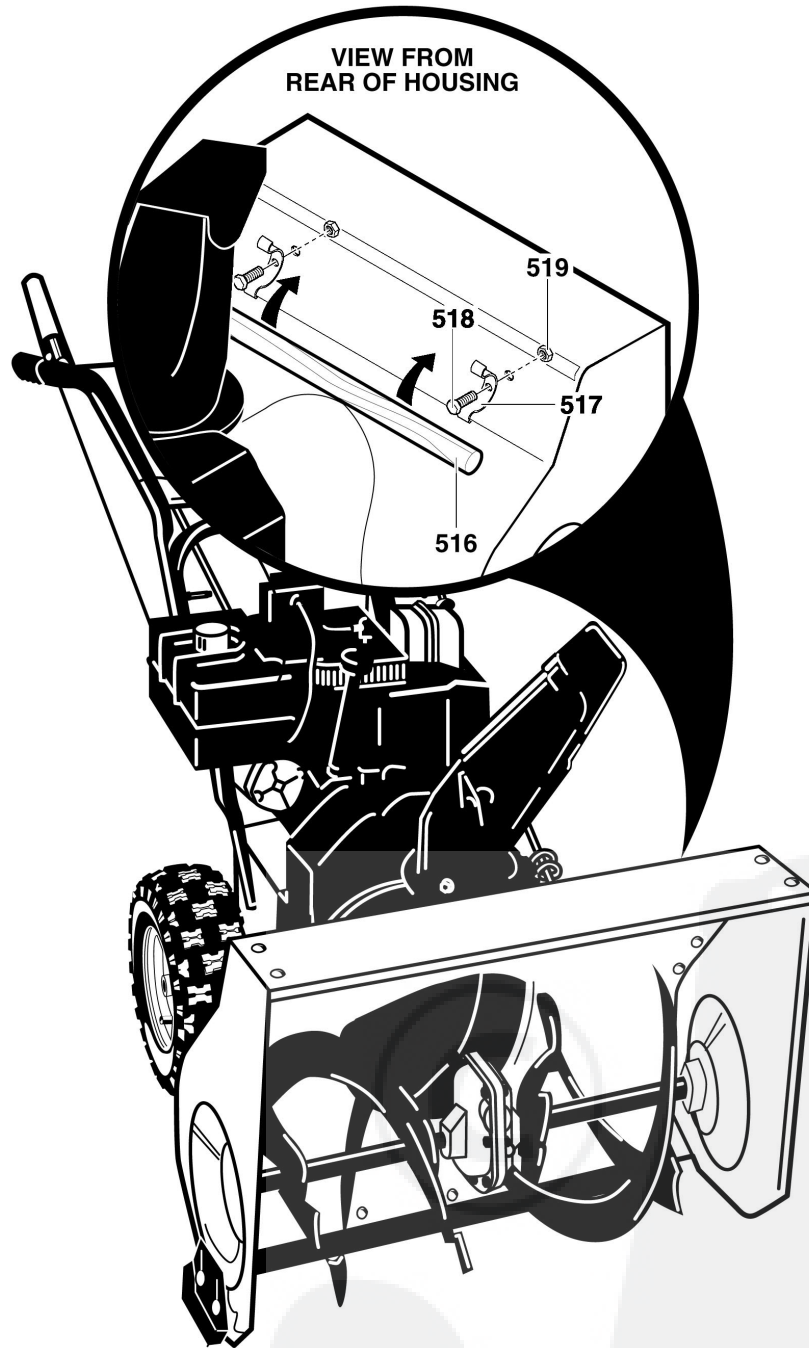
| Key No. | Part No. | Description |
|---------|------------|-------------------------------|
| 300 | 10577 | CASE, GEAR, RH |
| 301 | 10576 | CASE, GEAR, LH |
| 303 | 710025 | SCREW, 1/4-20X.75 |
| 304 | 302635 | NUT, 1/4-20 |
| 306 | 9344 | SCREW, 3/8-16X.50 |
| 310 | 9566 | SEAL, OIL |
| 311 | 50304 | BEARING, FL |
| 312 | 48275 | WASHER, FLAT |
| 313 | 340286 | SHAFT, AUGER OUTPUT |
| 314 | 51279 | GASKET, GEAR BOX |
| 315 | 51405 | GEAR, WORM |
| 316 | 431787 | KEY, WOODRUFF #61 |
| 320 | 50221 | BRNG, FL |
| 321 | 1501128 | SHAFT, AUGER INPUT (IMPELLER) |
| 322 | 580295 | COLLAR, THRUST |
| 323 | 454565 | PIN, SPRING |
| 324 | 48275 | WASHER, FLAT |
| 325 | 50684 | BRNG, ROLL |
| 326 | 50304 | BRNG, FL |
| 327 | 9566 | SEAL, OIL |
| 340 | 760194E717 | IMPELLER |
| 341 | 454565 | PIN, SPRING |
| * | 333431 | 10oz TUBE LUBRIPLATE |

*(NOT ILLUSTRATED)



WHL100A

| Key No. | Part No. | Description |
|---------|----------|--------------------------|
| 650 | 1501283 | SHAFT, AXLE |
| 652 | 1501089 | SPRKT & HUB |
| 653 | 01x193 | SCREW, 1/4-20 x 1.75 |
| 654 | 780029 | NUT, 1/4-20 HEX NYLOCK |
| 655 | 1501114 | BEARING, AXLE |
| 671 | 712120 | FLATWASHER |
| 673 | 1501139 | BUSHING, WHEEL |
| 675 | 580349 | TIRE & RIM |
| 676 | 577015 | SCREW, 1/4-20X1.75 HH |
| 677 | 780029 | NUT, 1/4-20 HEX NYLOCK |
| 678 | 239 | RING, RET |
| 679 | 73842 | PIN, KLIK .25 X 1.38 DIA |



335096

| Key No. | Part No. | Description |
|---------|----------|-----------------|
| 516 | 304361 | STICK, CLEARING |
| 517 | 304362 | CLIP, RETAINER |
| 518 | 71031 | SCREW |
| 519 | 334538 | NUT |