

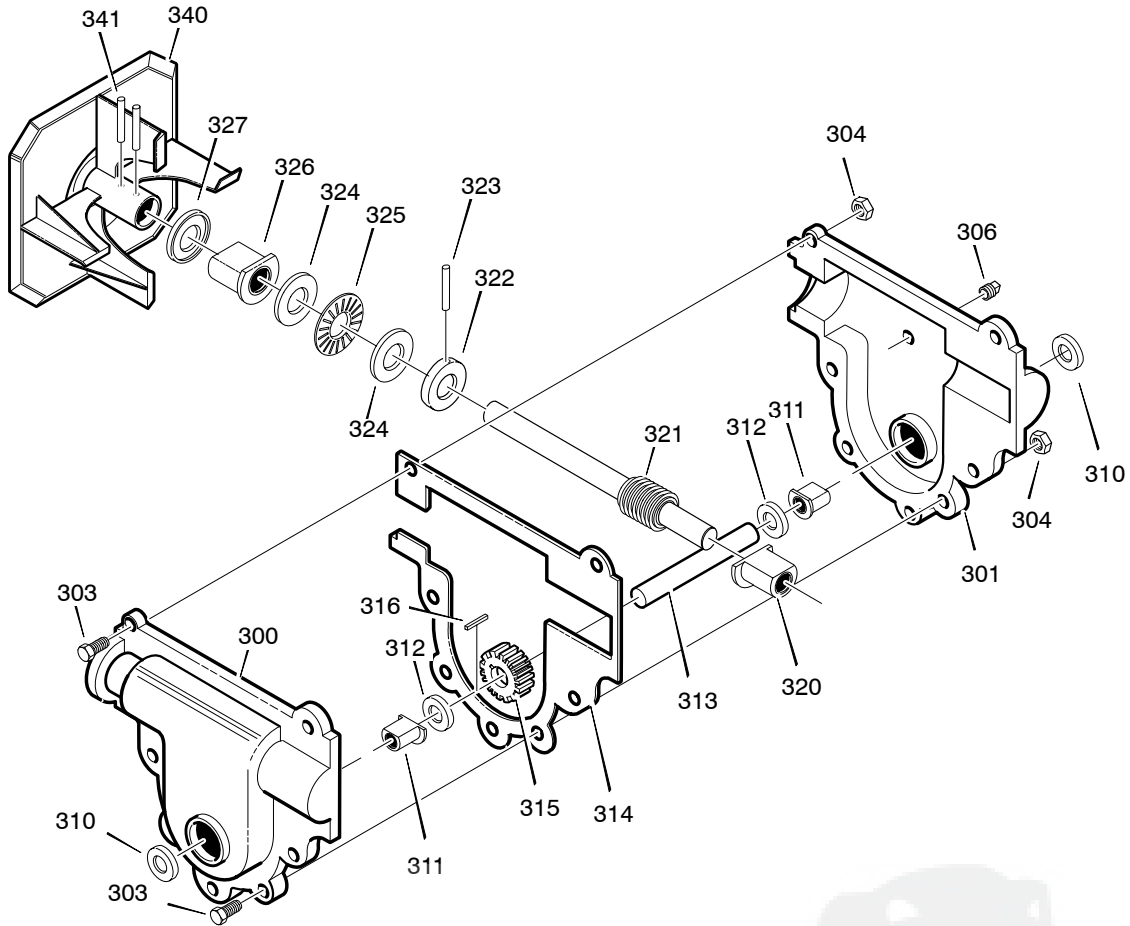
Ref. Drive Page

Ref. Auger Housing Page

Key No.	Part No.	Description	Key No.	Part No.	Description
2	-----	ENGINE	15	710097	SCREW 5/16-24 X 0.75
3	002x97	BOLT, CARRIAGE 5/16-18	16	53704	SPRING, IDLER TRACTION DRIVE
4	028x76	RETAINER, PUSH	17	50793	PULLEY, IDLER
5	710026	NUT 5/16-18	18	590	NUT, JAM 3/8-16
6	1501109	PULLEY, ENGINE	20	1501201	GUIDE, BELT
7	710247	WASHER	22	71060	WASHER .31X.58X.08
8	71063	WASHER .38ID	24	710097	SCREW, 5/16-24X .75
9	71015	SCREW, 3/8-24X1.00	25	-----	FRAME, MOTORBOX (5-11HP)
10	579932	BELT, V 3L	25-1	1501062E540	PLATE, ENGINE MOUNT
11	37x120	BELT, V 4L	25-2	310169	SCREW, TAP 1/4-20 X .63
12	1501112 YZ	BRACKET ASSEMBLY, IDLER	25-3	25x020	SCREW, TAP 5/16-18 X .50
13	1501065	BUSHING, IDLER BRACKET	25-4	1501049E540	FRAME, MOTOR BOX
14	71060	WASHER, SPLIT	--	F-031063L	OWNER'S MANUAL

MODEL 624508x61D

REPAIR PARTS GEAR CASE / BOÎTER



Key No.
N° sur le
schéma

Part No.
N° de pièce

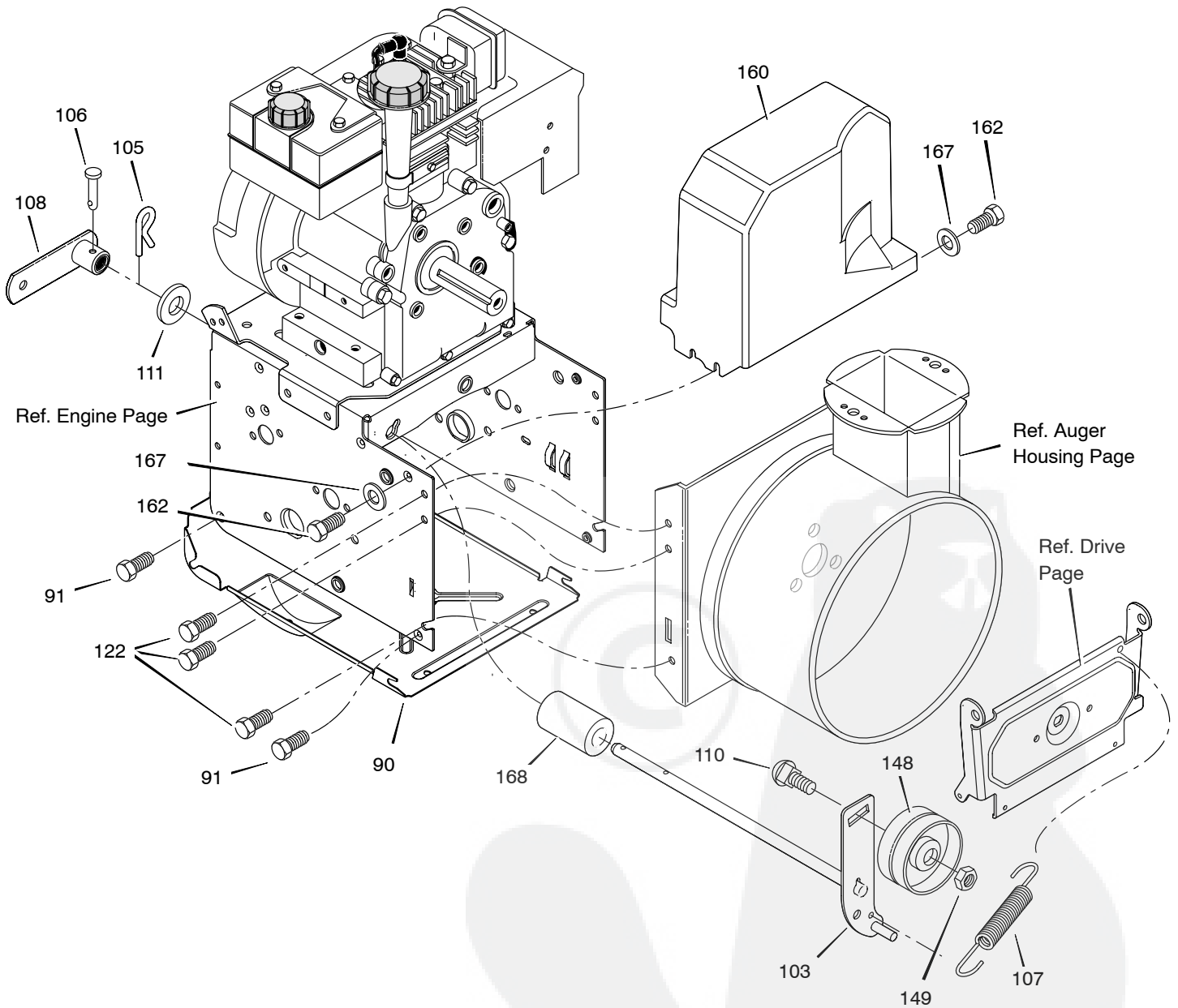
Description

300	10577	CASE, GEAR, RH
301	10576	CASE, GEAR, LH
303	710025	SCREW, 1/4-20X.75
304	15x143	NUT, 1/4-20
306	9344	SCREW, 3/8-16X.50
310	9566	SEAL, OIL
311	50304	BEARING, FL
312	48275	WASHER, FLAT
313	340286	SHAFT, AUGER OUTPUT
314	51279	GASKET, GEAR BOX
315	51405	GEAR, WORM
316	431787	KEY, WOODRUFF #61
320	50221	BRNG, FL
321	1501128	SHAFT, AUGER INPUT (IMPELLER)
322	580295	COLLAR, THRUST
323	454565	PIN, SPRING
324	48275	WASHER, FLAT
325	50684	BRNG, ROLL
326	50304	BRNG, FL
327	9566	SEAL, OIL
340	760194E701	IMPELLER
341	454565	PIN, SPRING
*	333431	10oz TUBE LUBRIPLATE

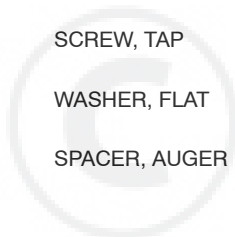
Description

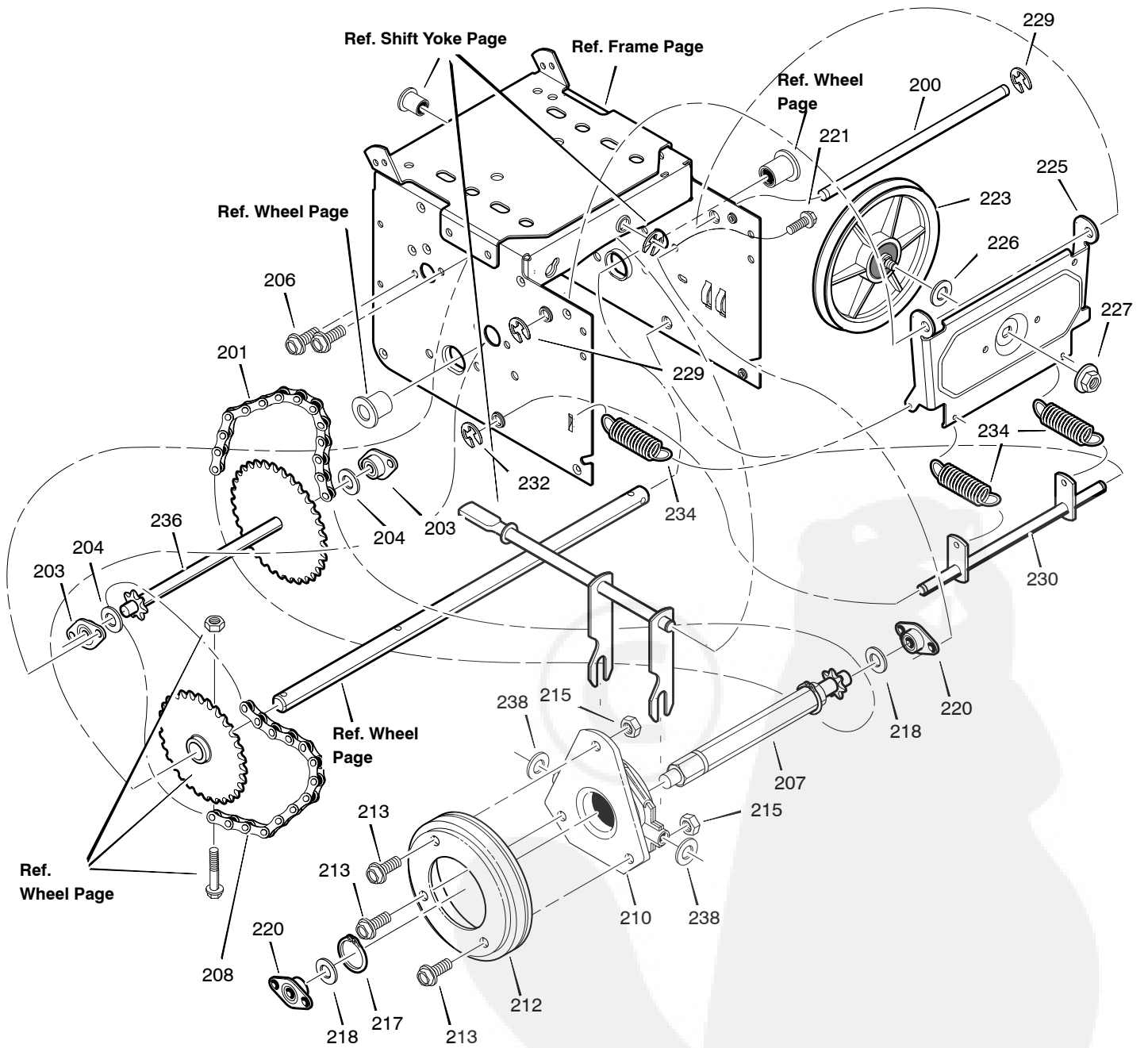
CARTER D'ENGRENAGES, SECTION DROITE
CARTER D'ENGRENAGES, SECTION GAUCHE
BOULON 1/4-20X.75
ECROU 1/4-20
VIS 3/8-16X.50
JOINT ETANCHE A L'HUILE
PALIER A BRIDE
RONDELLE PLATE
ARBRE SECONDAIRE, LAMES CHASSE-NEIGE
JOINT PLAT DU CARTER D'ENGRENAGES
VIS SANS FIN
CLAVETTE WOODRUFF 61
PALIER A BRIDE
ARBRE PRIMAIRE, LAMES CHASSE-NEIGE
COLLET DE BUTEE
GOUPILLE-RESSORT T
RONDELLE PLATE
PALIER A ROULEAUX
PALIER A BRIDE
JOINT ETANCHE A L'HUILE
ROUE EJECTRICE
GOUPILLE-RESSORT T
TUBE LUBRIPLATE 10 ONCES

*(NOT ILLUSTRATED)

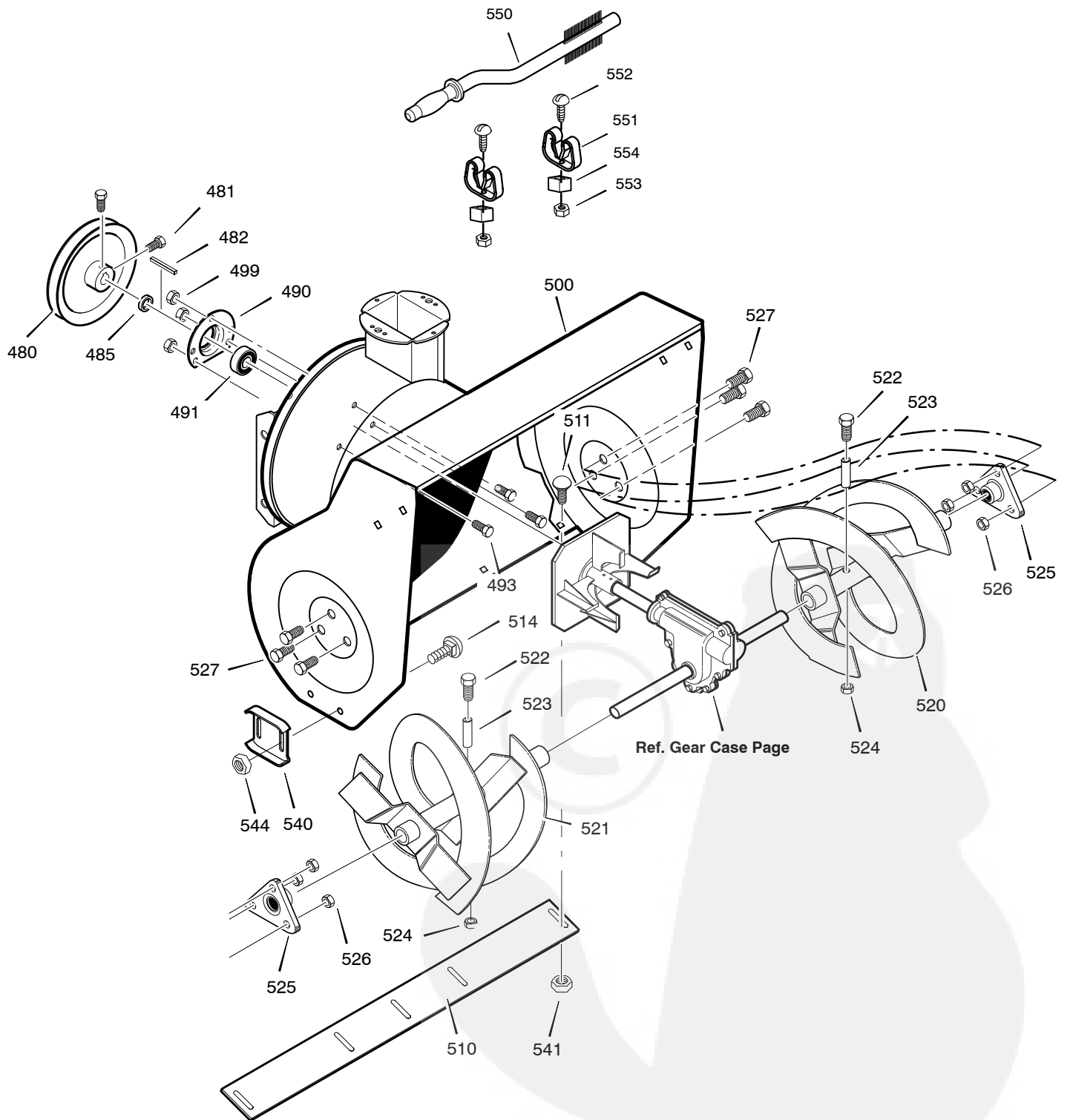


Key No.	Part No.	Description
90	1501055E701	COVER, BOTTOM
91	310169	SCREW, 1/4-20X .63
103	1501111 YZ	IDLER ASSEMBLY, AUGER
105	711682	PIN, HAIR .38DIAX1.64LG
106	761761	PIN, CLEVIS 3/16" DIA
107	165X160	SPRING, TENSION
108	761675 YZ	ASSY., SPRING ATTACH
110	585781	BOLT, 3/8-16X1.25 CARR.
111	711617	WASHER, FLAT
122	780055	SCREW, TAP 5/16-18 X .50
148	50793	PULLEY, IDLER
149	590	NUT, JAM 3/8-16
160	1501053	COVER, BELT
162	26X306	SCREW, TAP
166	71067	WASHER, FLAT
168	1501200	SPACER, AUGER BRACKET

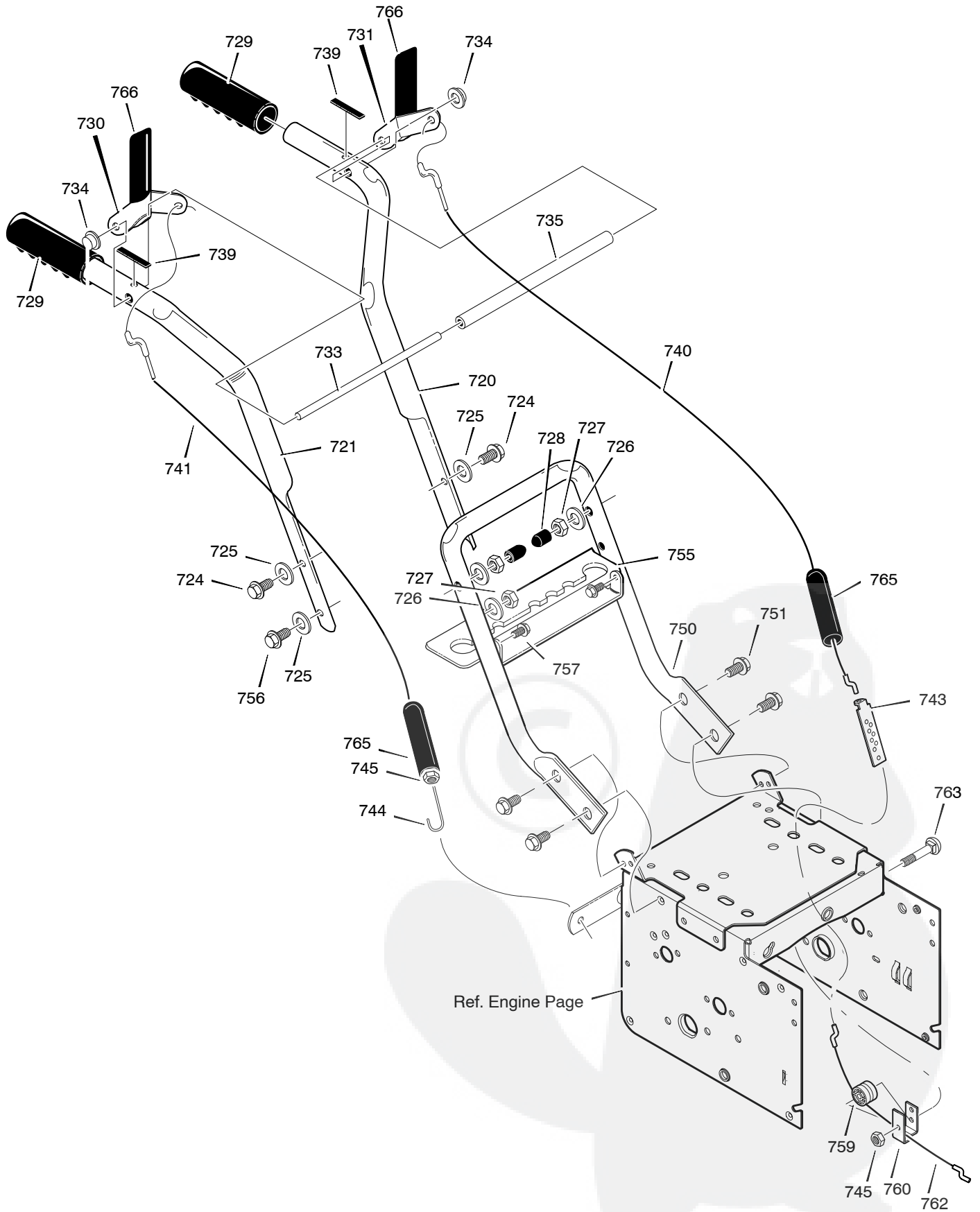




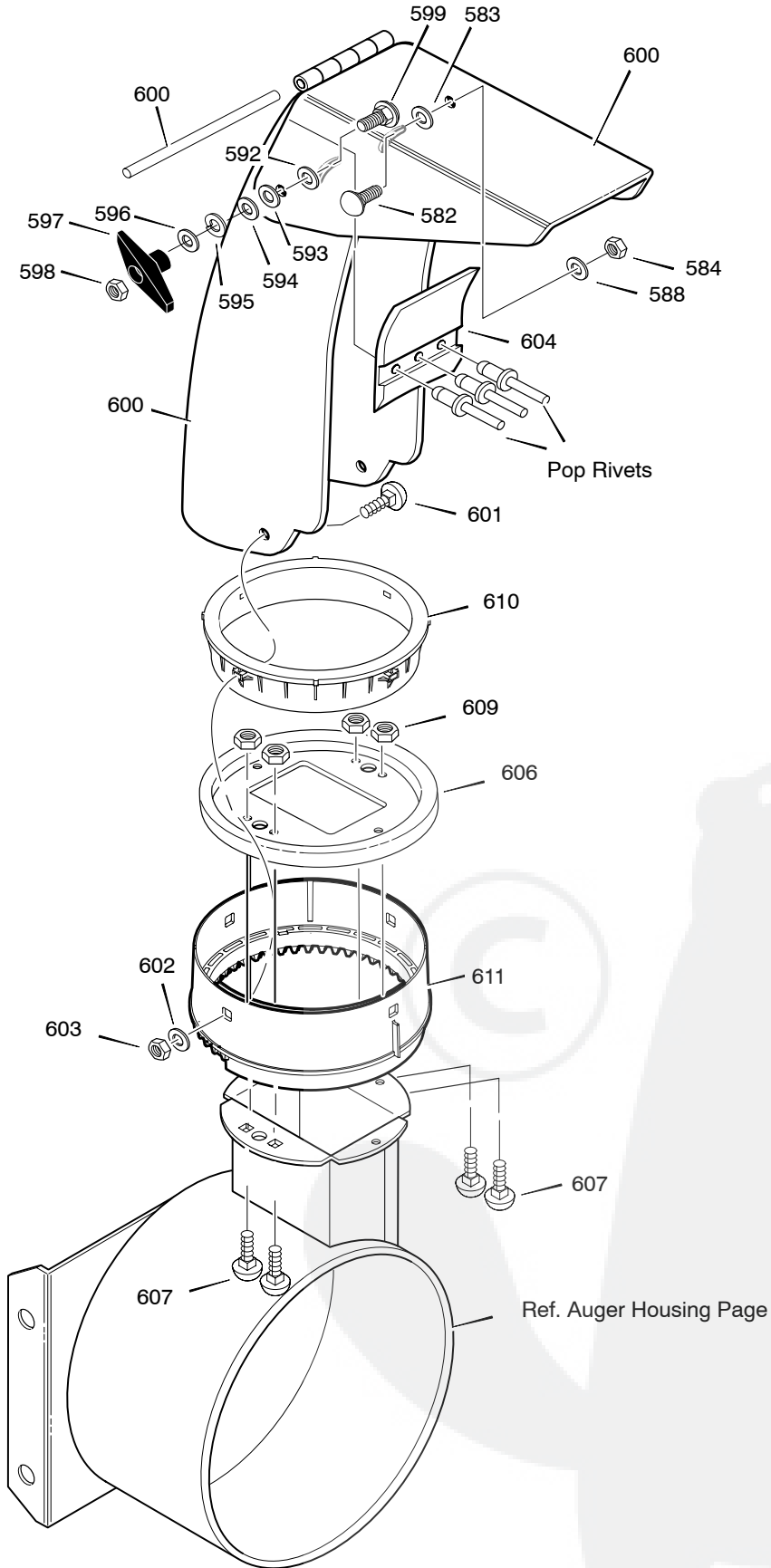
Key No.	Part No.	Description
200	1501092 YZ	LF AXLE, SWING PLATE YZ
201	579851	CHAIN, ROLLER #420x19.00
203	334163	BEARING AND RETAINER, ASSY
204	579858	WASHER
206	780055	SCREW, TAP 5/16-18x0.5
207	1501100	ASSY, HEX SHAFT
208	579868	CHAIN, ROLLER #420x18.00 LG
210	337029	BEARING, TRUNION CLUTCH R
212	1501435	WHEEL, FRICTION DISC
213	001x38	BOLT
215	303008	NUT, KEPS HEX 1/4-20
217	579859	RING, RETEXT
218	579858	WASHER
220	334163	BEARING AND RETAINER, ASSY
221	780055	SCREW, TAP 5/16-18 x .5
223	1501115	FRICTION PULLY
225	1501057 YZ	LF PLATE, SWINGING YZ
226	1501158	SPACER, FRICTION PULLEY
227	15X114	NUT, FLANGE LOCK 3/8-24
229	11X30	RETAINER, RING
230	1501107 YZ	LF ASSY, SPRING LINK YZ
232	11X30	RETAINER, RING
234	165X112	SPRING, EXTENSION
236	1501237	WLD, INTERMED SPROCKET 33T/7
238	71074	WASHER, FLAT



Key No.	Part No.	Description
480	762146	PULLEY, 4L 6.12X .67
481	577400	SCREW, 5/16-18X.63
482	2001022	KEY, SQUARE 3/16 X 3/4
485	1501158	SPACER, FRICTION PULLEY
490	582957 YZ	RETAINER, BALL BRNG
491	43846	BEARING, BALL
493	001X92	BOLT, HEX 5/16-18X .50
499	710026	NUT, 5/16-18 HEXWDFLLK
500	1501717E540	HOUSING, ASSY
510	581397E701	BLADE, SCRAPER
511	340714	BOLT, 1/4-20X.75
514	780285	NUT, 1/4-20
520	340518E701	AUGER, ASSY, LH
521	340523E701	AUGER, ASSY, RH
522	9524	SCREW, 1/4-20X1.75
523	3943	SPACER, SLEEVE
524	73826	NUT, 1/4-20
525	9517	BEARING, FLANGE
526	711862	NUT, 5/16-18
527	9357	SCREW, 5/16-18X .75
540	301380E701	SKID, HEIGHT ADJUST
541	340720	BOLT, 5/16-18 X .75
544	710026	NUT, 5/16-18
550	1501576	BRUSH, CLEANOUT
551	1501672	CLIP, RETAINER
552	06x115	SCREW
553	15x146	NUT
554	578063	BLOCK
- -	1501216	Kit, Shear Bolt



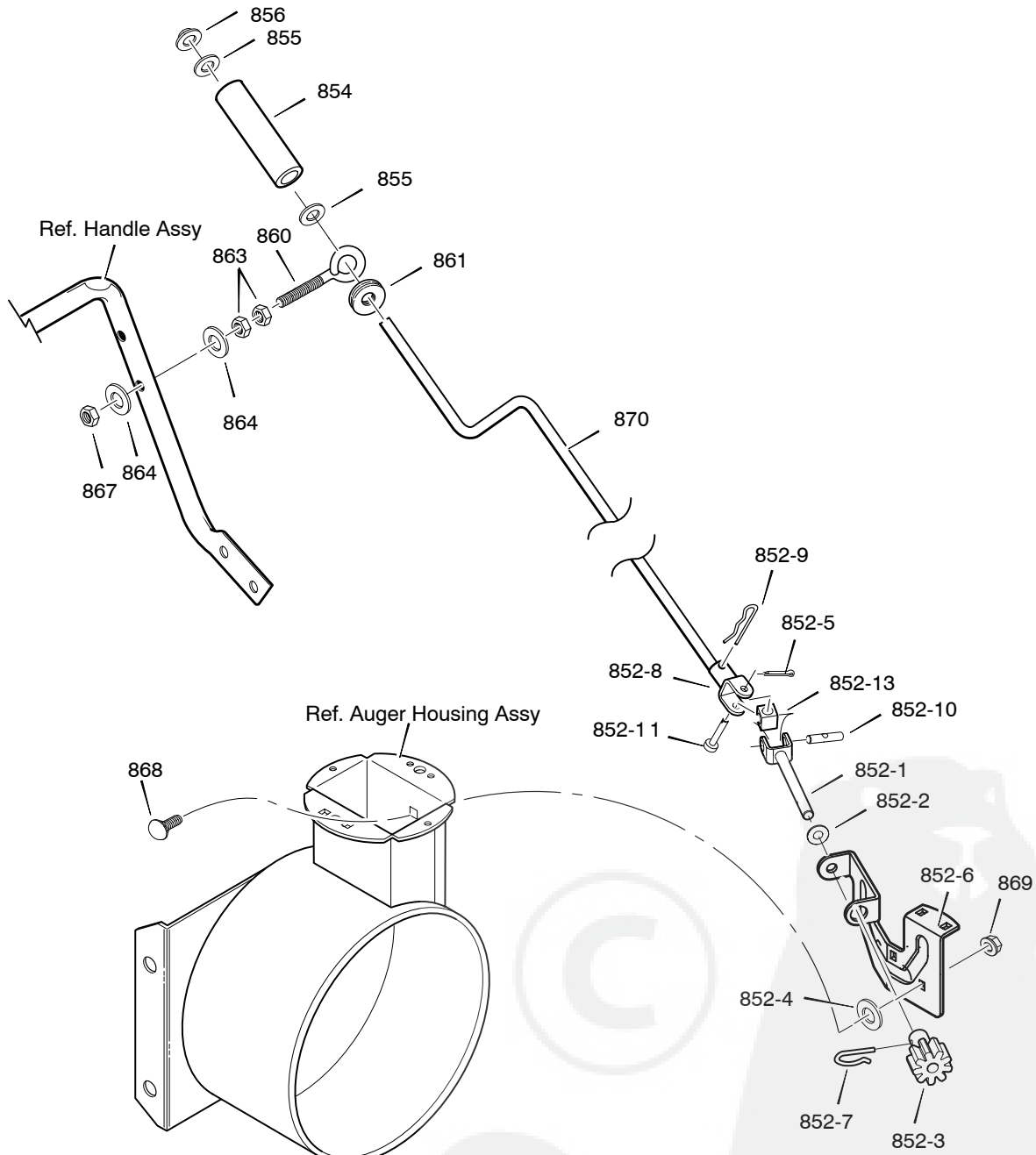
Key No.	Part No.	Description
720	1501205E701	HANDLE, UPPER LH
721	1501206E701	HANDLE, UPPER RH
724	11234	SCREW, 5/16-18X2.75
725	71071	WASHER, FLAT
726	71060	WASHER, SPTLK .31X.58X.08
727	15X144	NUT, 5/16-18 REGHEX
728	11261	STOP, RED PLASTIC
729	337399	GRIP-HANDLE FINGER
730	337816E701	LEVER, ASSY CLUTCH DRIVE RH
731	337815E701	LEVER, ASSY CLUTCH DRIVE LH
733	337381	ROD, PIVOT CLUTCH
734	761105	NUT, PUSH ON CAP
735	337373	SPACER-HANDLE
739	4049	BUMPER, RECTANGLE
740	1501123	CABLE, CLUTCH 28.44L
741	761872	CABLE, AUGER CLUTCH
743	313441	BRACKET, CABLE ADJUSTER
744	1673	SPRING, AUGER CLUTCH
745	15x145	NUT, 1/4-20
750	339541E701	HANDLE, LOWER
751	25x021	SCREW
755	337407E701	BRKT, GEAR SELECTOR
756	6751	SCREW, 5/16-18X2.00
757	310169	SCREW, 1/4-20 X 0.63
759	579860	SPOOL-CABLE, AUGER CLUTCH
760	1501059 YZ	BRACKET, CABLE SPOOL YZ
762	1501122	CABLE, LOWER DRIVE 12"
763	001798	BOLT, HEX 1/4-20 X 1.50 YZ
765	308146	BOOT, CLUTCH SPRING
766	337380	GRIP



Key No.	Part No.	Description
582	340720	BOLT, CARRIAGE 5/16-18 X.75
583	12021	WASHER, PLASTIC
584	71038	NUT, 5/16-18 REGHEX NYLOCK
588	6711	WASHER, PLASTIC
592	12021	WASHER, PLASTIC
593	6711	WASHER, PLASTIC
594	71071	WASHER, FLAT
595	71060	WASHER, SPLIT
596	71071	WASHER, FLAT
597	57171	KNOB, T 3.00
598	15x144	NUT, 5/16-18 REGHEX
599	3316	BOLT, 5/16-18X1.00
600	760018E701	CHUTE ASSEMBLY AND GUARD
601	2x100	BOLT, 5/16-18 X1.00
602	71071	WASHER, FLAT
603	71038	NUT, 5/16-18 HEXNYL
604	760268	FLAP, CHUTE
606	585214 YZ	CHUTE COLLAR
607	02x101	SCREW, 1/4-20 X 0.75
609	15x145	NUT, 1/4-20 HEX NYLOCK
610	337227	RETAINER RING INNER
611	1501282	RETAINER RING OUTER

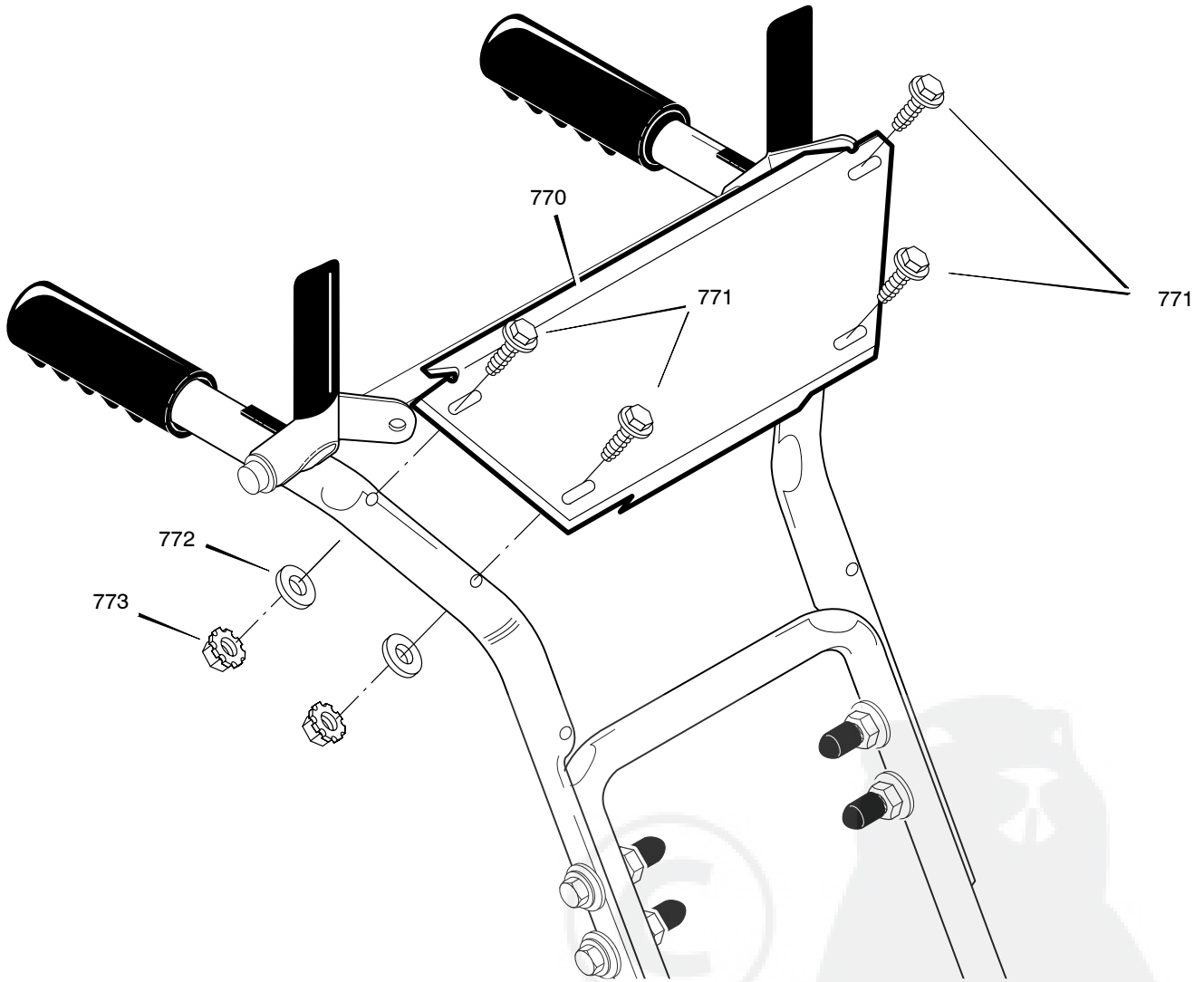
MODEL 624508x61D

REPAIR PARTS CHUTE ROD

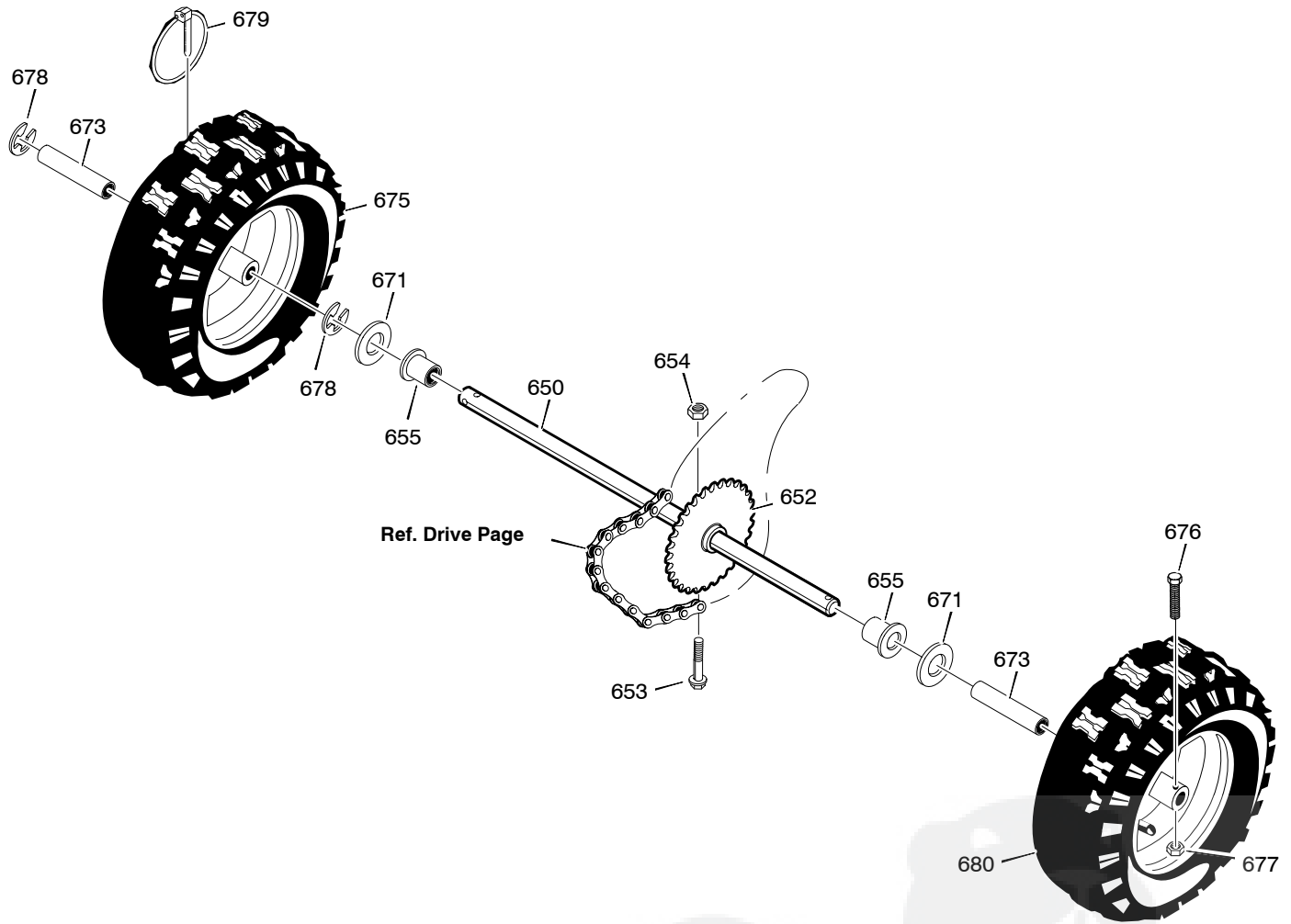


Key No.	Part No.	Description
852-1	1501309 YZ	ASSEMBLY, YOKE & ROD
852-2	313431	WASHER, CURVED SPRING
852-3	1501067	GEAR, CHUTE ROTATION 9T
852-4	17X170	WASHER
852-5	579493	PIN, COTTER
852-6	1501306E701	BRACKET, GEAR MOUNT
852-7	1501293	PIN, HAIR
852-8	1501075 YZ	ASSEMBLY, YOKE ADAPTER YZ
852-9	711682	PIN, HAIR
852-10	578060	PIN, UNIVERSAL JOINT
852-11	578309	PIN, CLEVIS
852-13	578063	HOUSING, UNIVERSAL

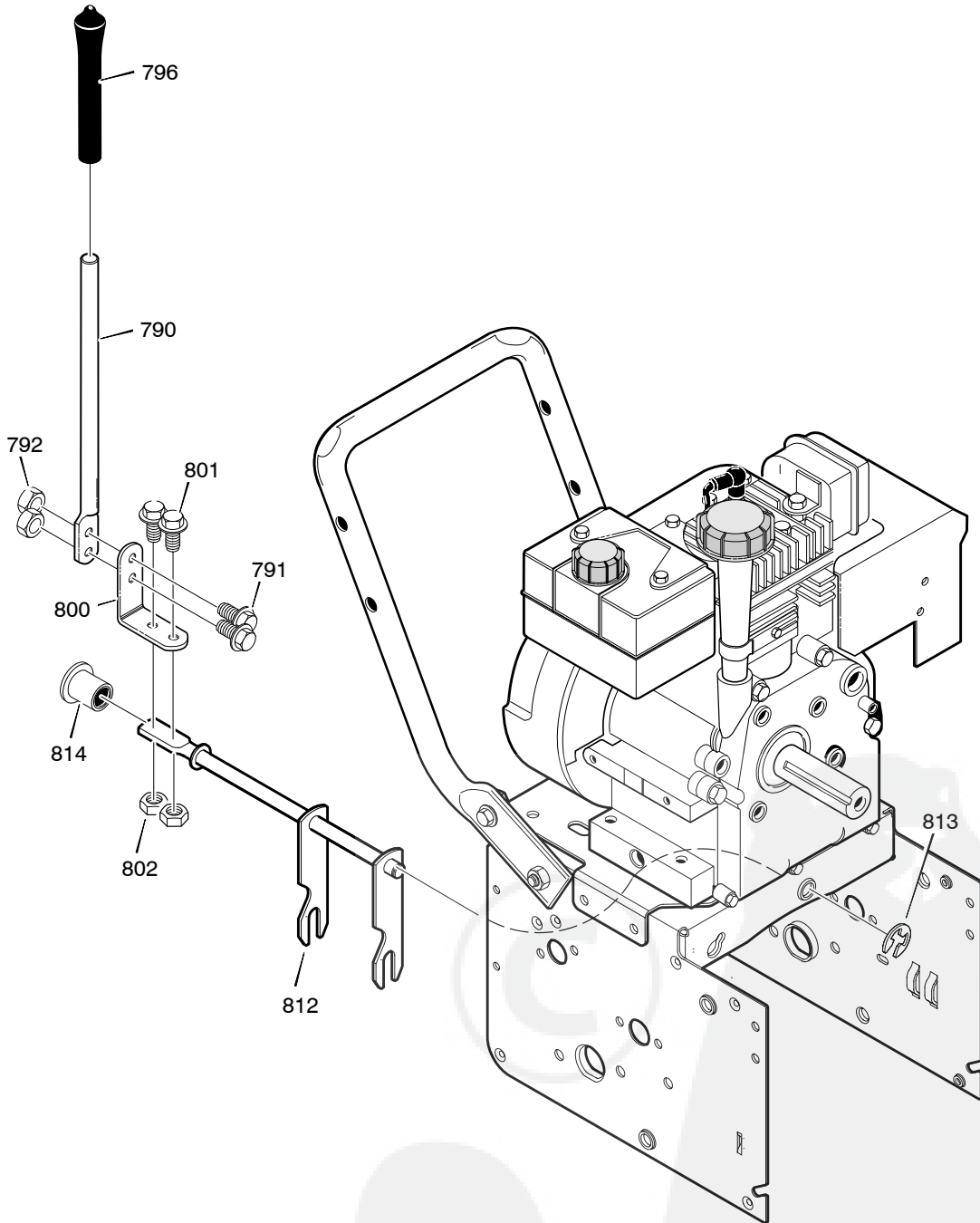
Key No.	Part No.	Description
854	51443	KNOB, SLEEVE
855	309312	FLATWASHER
856	73664	NUT, PUSH ON 3/8"
860	581618	EYE BOLT 3/8-16X6.00
861	148	GROMMET, EYE BOLT
863	71045	NUT, 3/8-16 HEXJAM
864	71072	FLATWASHER .406X.81X.066
867	71046	NUT, 3/8-16 HEXNYL
868	002X98	BOLT, CARRIAGE 1/4-20 X 1.00
869	15X145	NUT
870	1501074 YZ	CRANK, ASSY CHUTE



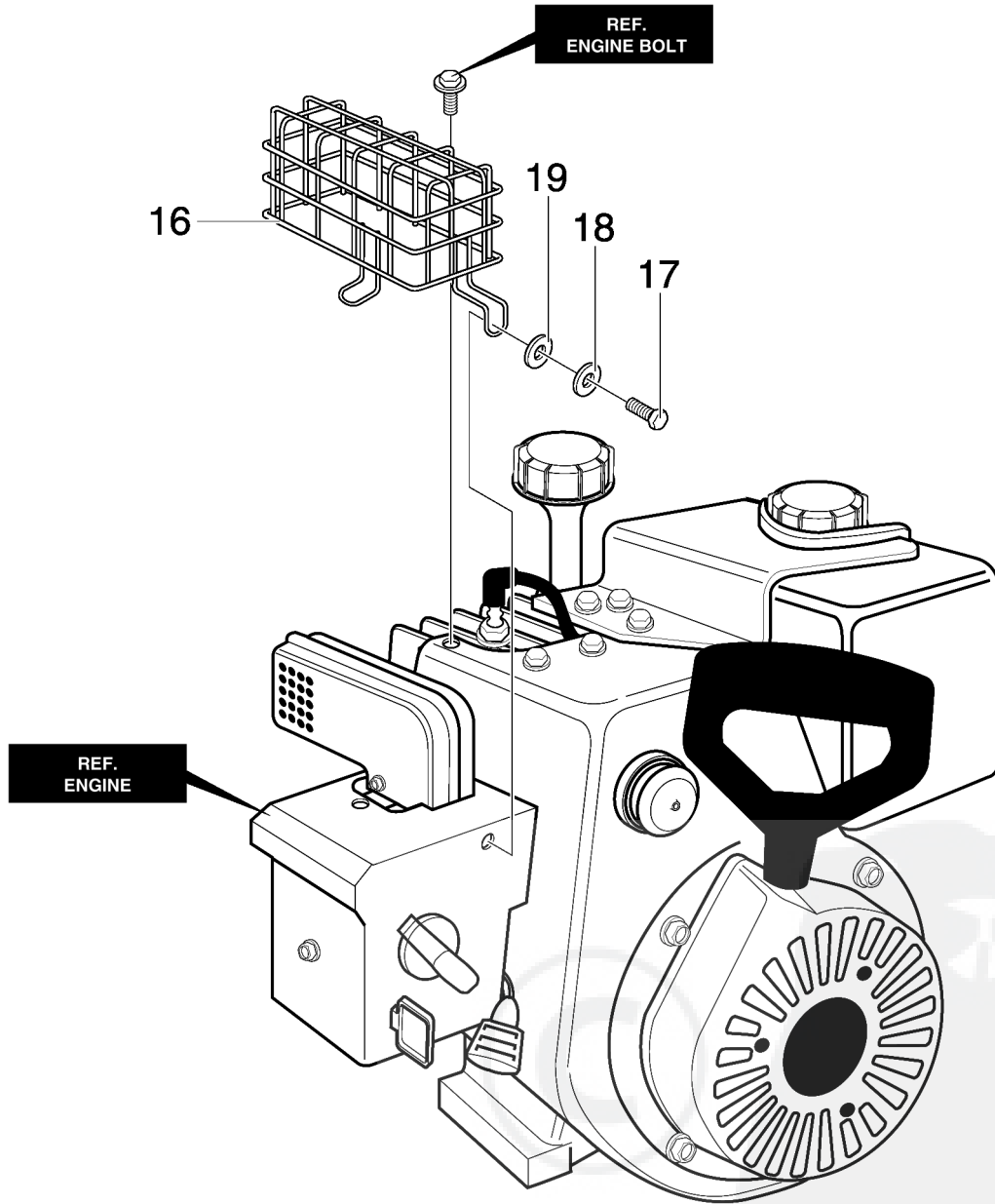
Key No.	Part No.	Description
770	762329E540	PANEL
771	001798	SCREW
772	71067	WASHER
773	15x145	NUT



Key No.	Part No.	Description
650	1501562	SHAFT, AXLE
652	1501089	SPRKT & HUB
653	01x193	SCREW, 1/4-20 x 1.75
654	15x145	NUT, 1/4-20 HEX NYLOCK
655	1501114	BEARING, AXLE
671	712120	FLATWASHER
673	1501139	BUSHING, WHEEL
675	318504	TIRE & RIM, RIGHT
676	577015	SCREW, 1/4-20X1.75 HH
677	15X145	NUT, 1/4-20 HEX NYLOCK
678	239	RING, RET
679	73842	PIN, KLIK .25 X 1.38 DIA
680	318504	TIRE & RIM, LEFT



Key No.	Part No.	Description
790	762299E701	ROD, SHIFT
791	302628	SCREW, 1/4-20X.75
792	73826	NUT, 1/4-20
796	331624	KNOB, SLIP
800	760564	LEVER, SPRING
801	302628	SCREW, 1/4-20X.75
802	73826	NUT, 1/4-20
812	1501085 YZ	ROD ASSY., SPEED SELECT
813	11X30	RETAINER, RING
814	579944	BEARING, FLANGED



Key No.	Part No.	Description
16	578934	GUARD, MUFFLER
17	304807	SCREW
18	304810	WASHER
19	304809	WASHER