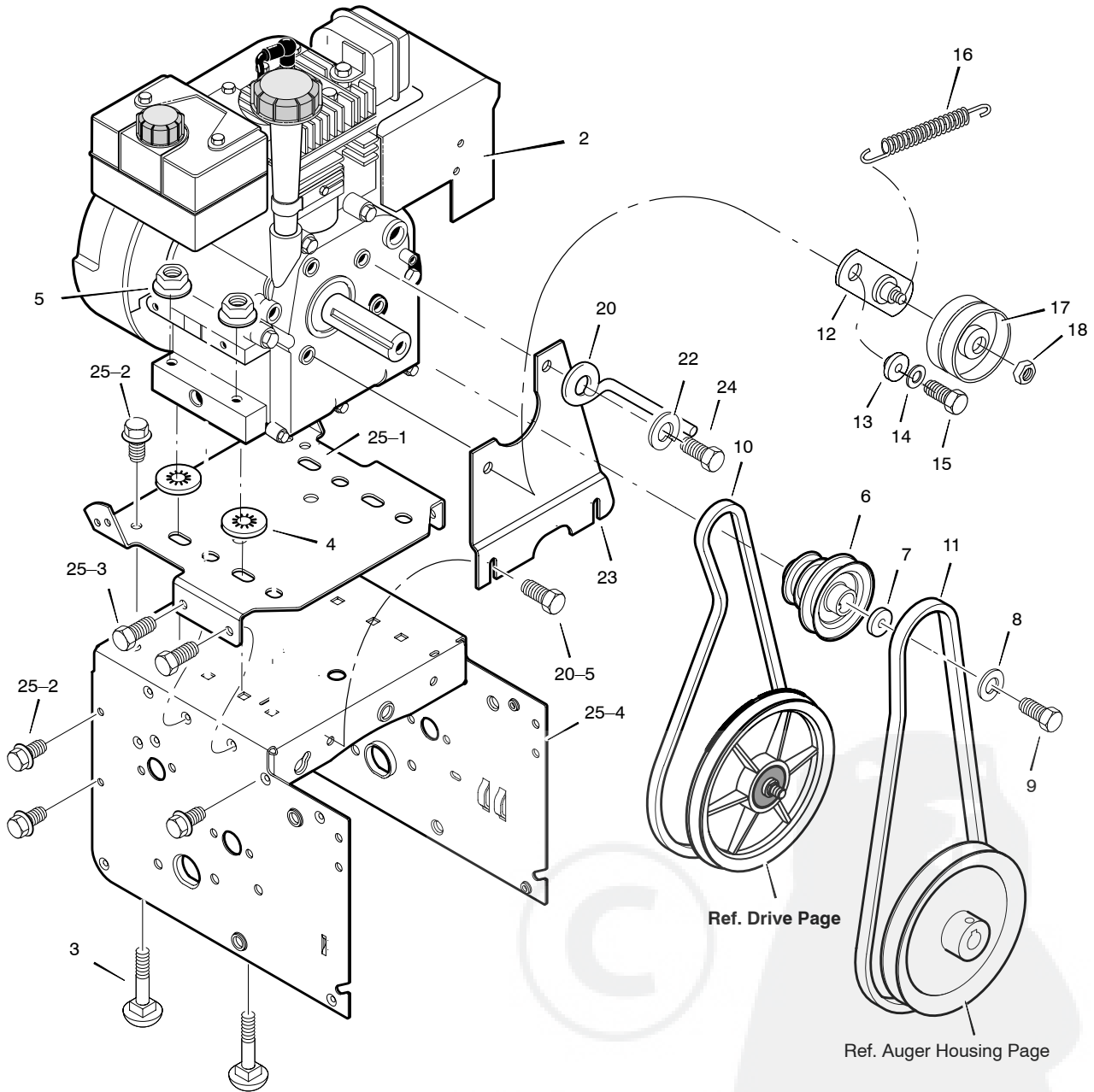


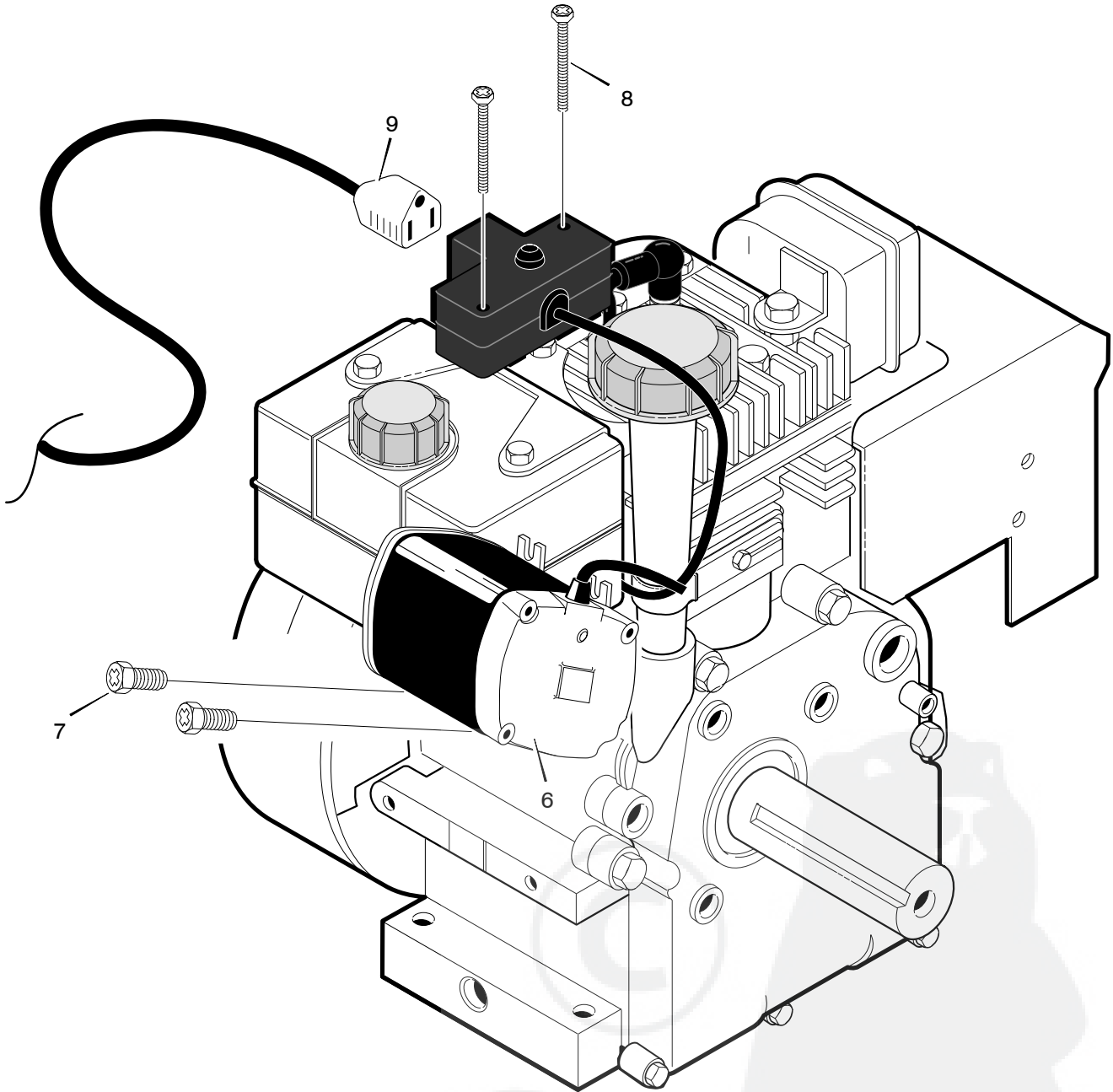
MODEL 627801x85A

REPAIR PARTS ENGINE

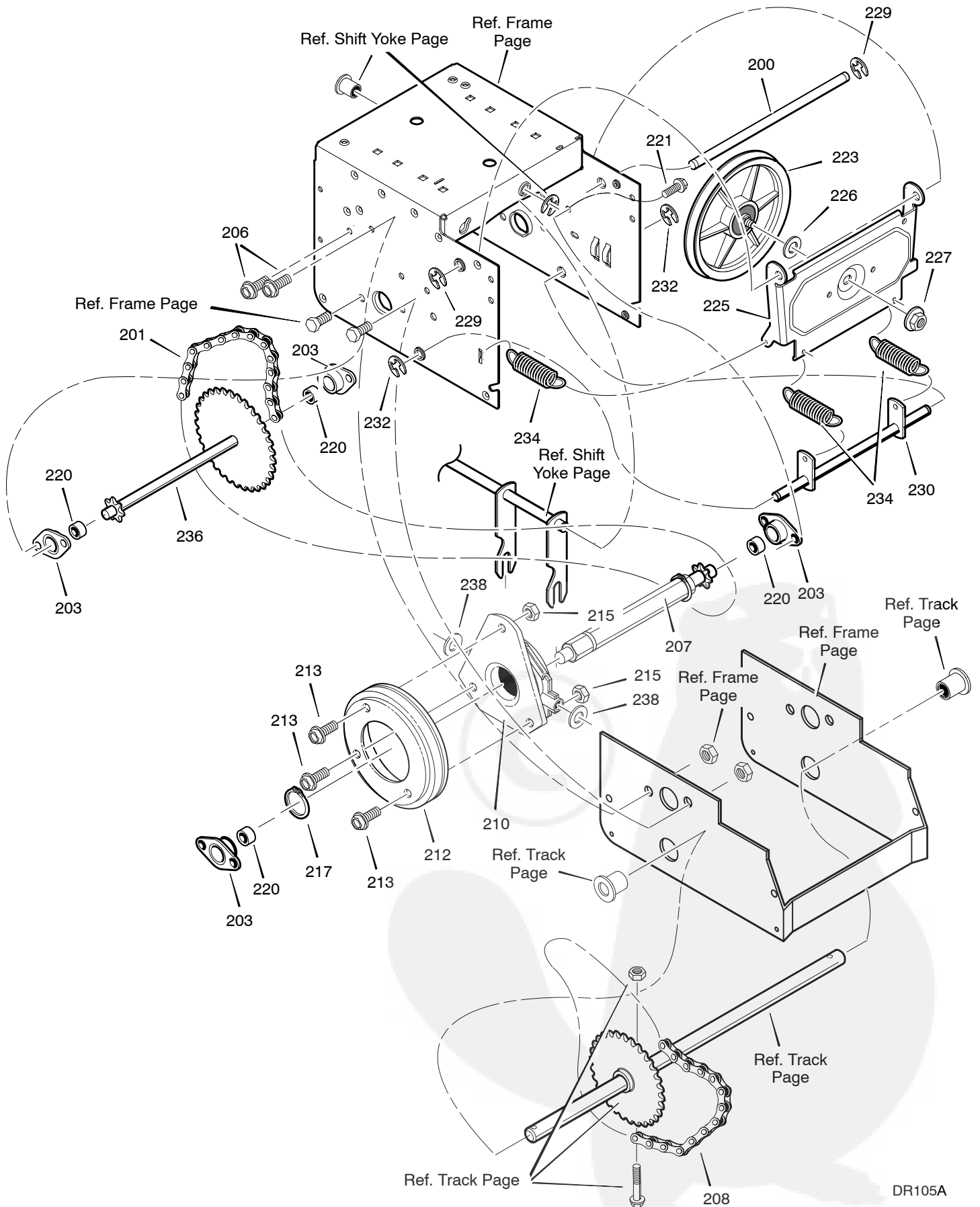


Key No.	Part No.	Description
2	-----	ENGINE
3	002x97	BOLT, CARRIAGE 5/16-18
4	028x76	RETAINER, PUSH
5	710026	NUT, HEX 5/16-18
6	1501109	PULLEY, ENGINE
7	710247	WASHER
8	71063	WASHER .38ID
9	71015	SCREW, 3/8-24X1.00
10	579932	BELT, V 3L 33.13LG
11	585416	BELT, V 4L 38.1MF16" 5-10
12	1501112 YZ	BRACKET ASSEMBLY, IDLER
13	1501065	BUSHING, IDLER BRACKET
14	71060	WASHER, SPLIT
15	910828	SCREW 5/16-24 X 1.00
16	165x164	SPRING, IDLER TRACTION DRIVE

Key No.	Part No.	Description
17	50793	PULLEY, IDLER
18	590	NUT, JAM 3/8-16
20	1501201	GUIDE, BELT
22	71060	WASHER, SPTLK .31X.58X.08
23	1501482	PLATE, ANTI VIBRATION
24	910828	SCREW, 5/16-24X 1.00
25	-----	FRAME ASSEMBLY
25-1	1501062E012	PLATE, ENGINE MOUNT
25-2	310169	SCREW, TAP 1/4-20 X .63
25-3	25x020	SCREW, TAP 5/16-18 X .50
25-4	1501049E012	FRAME, MOTOR BOX
25-5	26x263	SCREW
—	F-031046L	OWNER'S MANUAL (8218-2201+11)



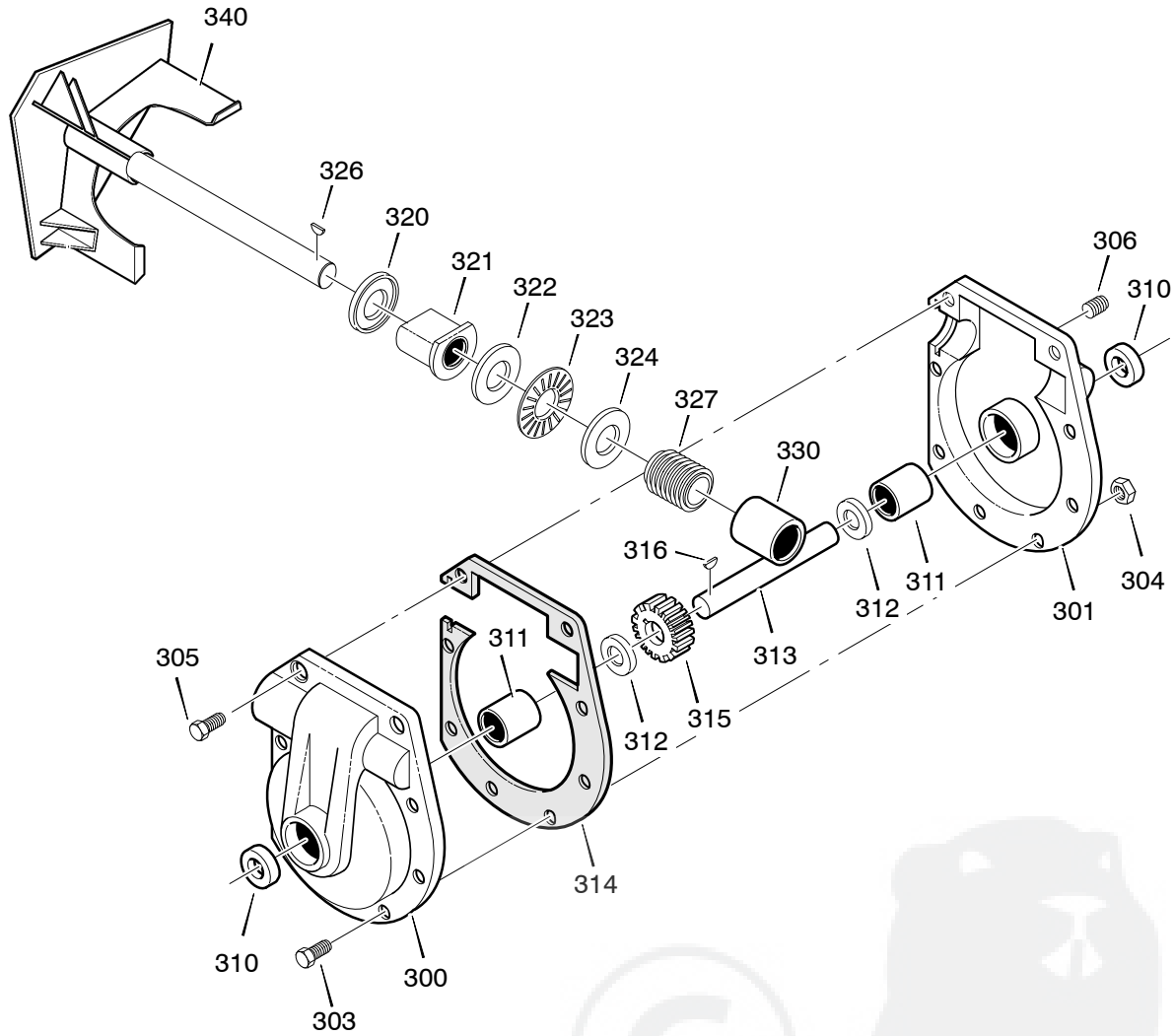
Key No.	Part No.	Description
6	761290	MOTOR, STARTER (220V) TC1A173-125
7	6216	SCREW
8	6217	SCREW
9	761332	CORD, STARTER



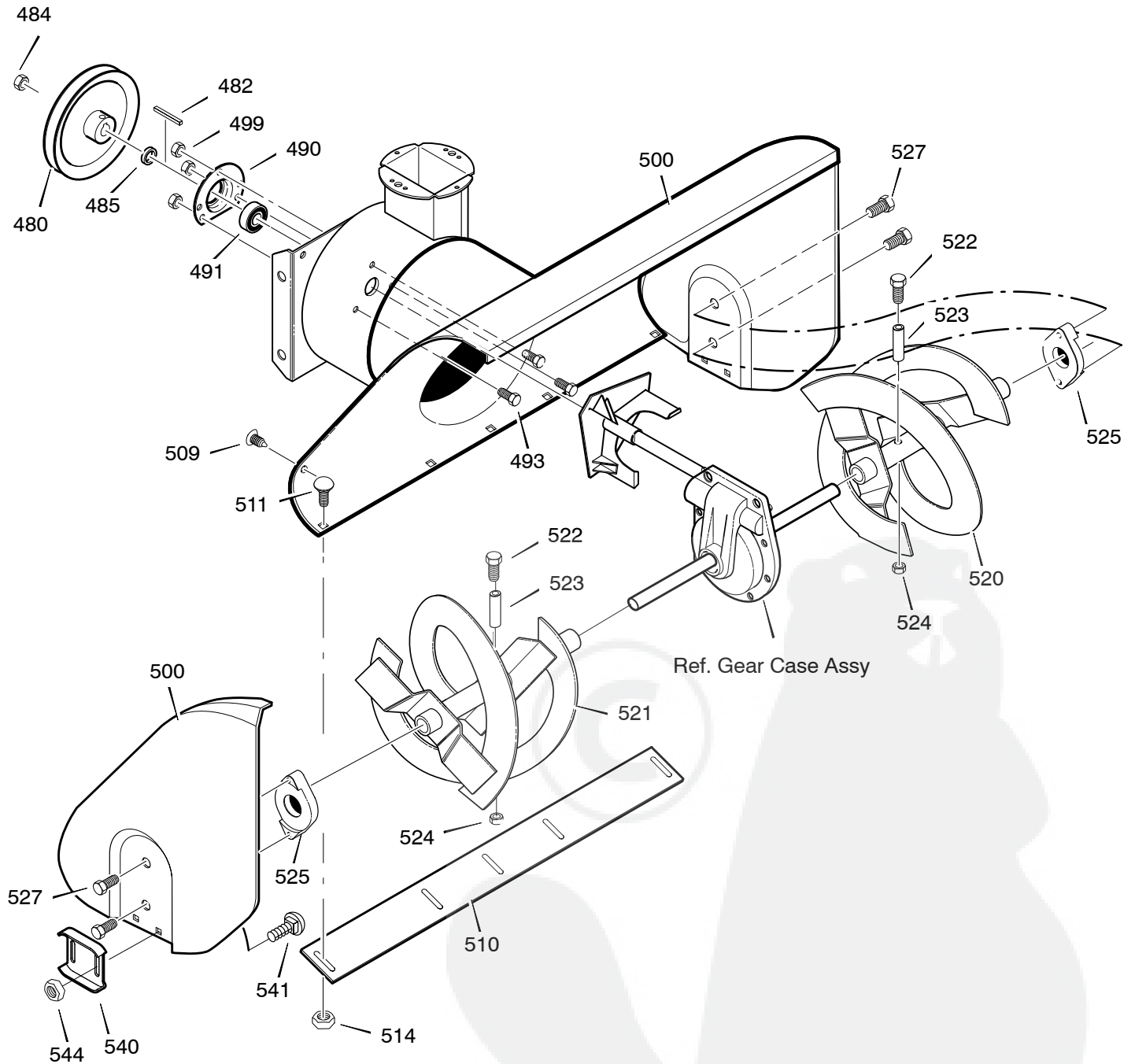
Key No.	Part No.	Description
200	1501092 YZ	LF AXLE, SWING PLATE YZ
201	579851	CHAIN, ROLLER #420x19.00 LG
203	579850	RETAINER, BEARING
206	780055	SCREW, TAP 5/16-18x0.5
207	1501101	ASSY, HEX SHAFT
208	1501233	CHAIN, ROLLER #420x23.00LG
210	337029	BEARING, TRUNION CLUTCH R
212	1501435	FRICTION WHEEL
213	001X38	SCREW, 1/4-20 x 0.63
215	303008	NUT, KEPS HEX 1/4-20
217	579859	RING, RETEXT
220	579863	BEARING, BALL
221	780055	SCREW, TAP 5/16-18 x .5
223	1501115	ASSY, FRICTION PULLY
225	1501057 YZ	LF PLATE, SWINGING YZ
226	1501158	SPACER, FRICTION PULLEY
227	15X114	NUT, FLANGE LOCK 3/8-24
229	11X30	RETAINER, RING
230	1501107 YZ	LF ASSY, SPRING LINK YZ
232	11X30	RETAINER, RING
234	165X112	SPRING, EXTENSION
236	1501102	WLDT, INTERMED SPROCKET
238	71074	WASHER, FLAT

MODEL 627801x85A

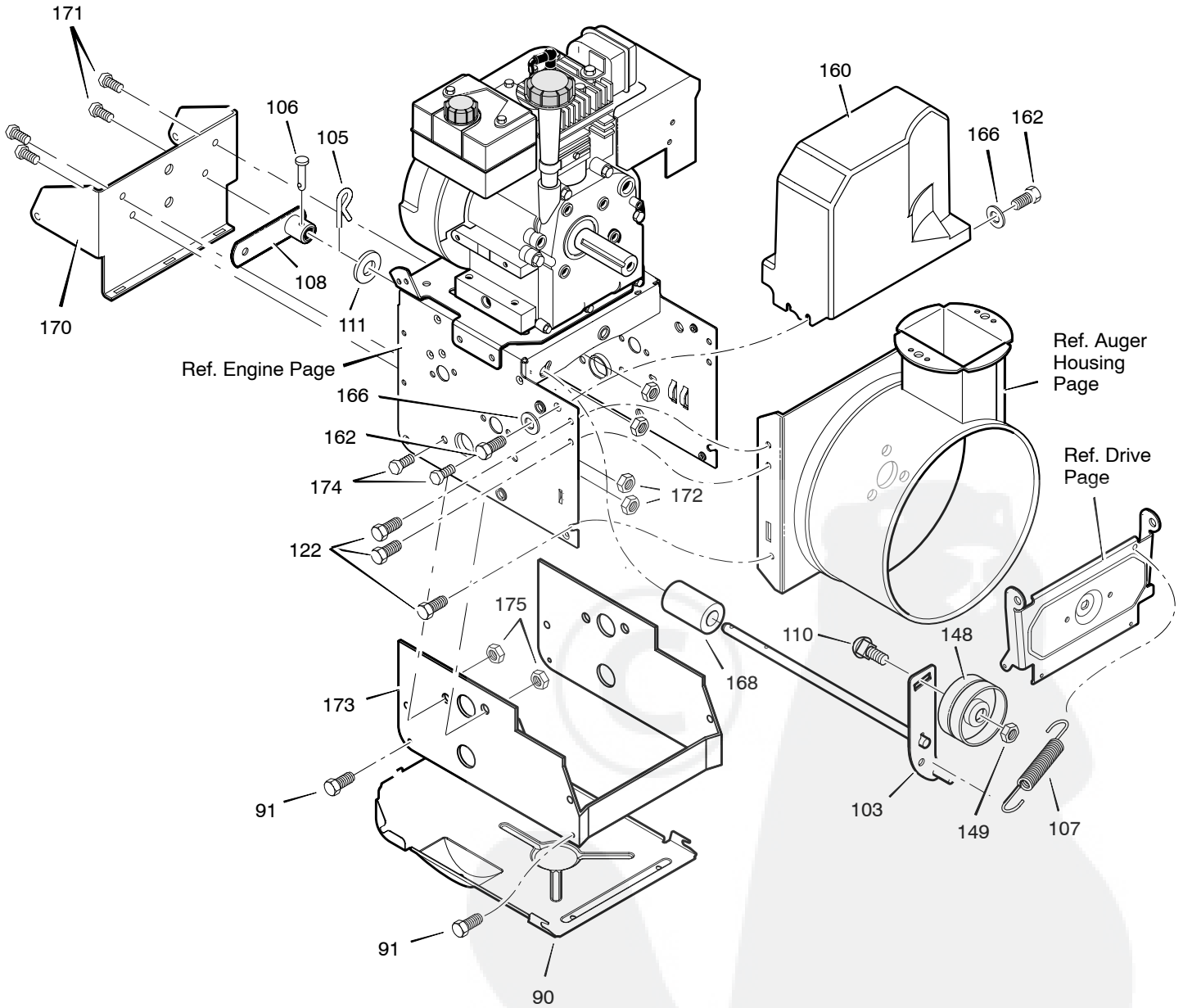
REPAIR PARTS GEAR CASE



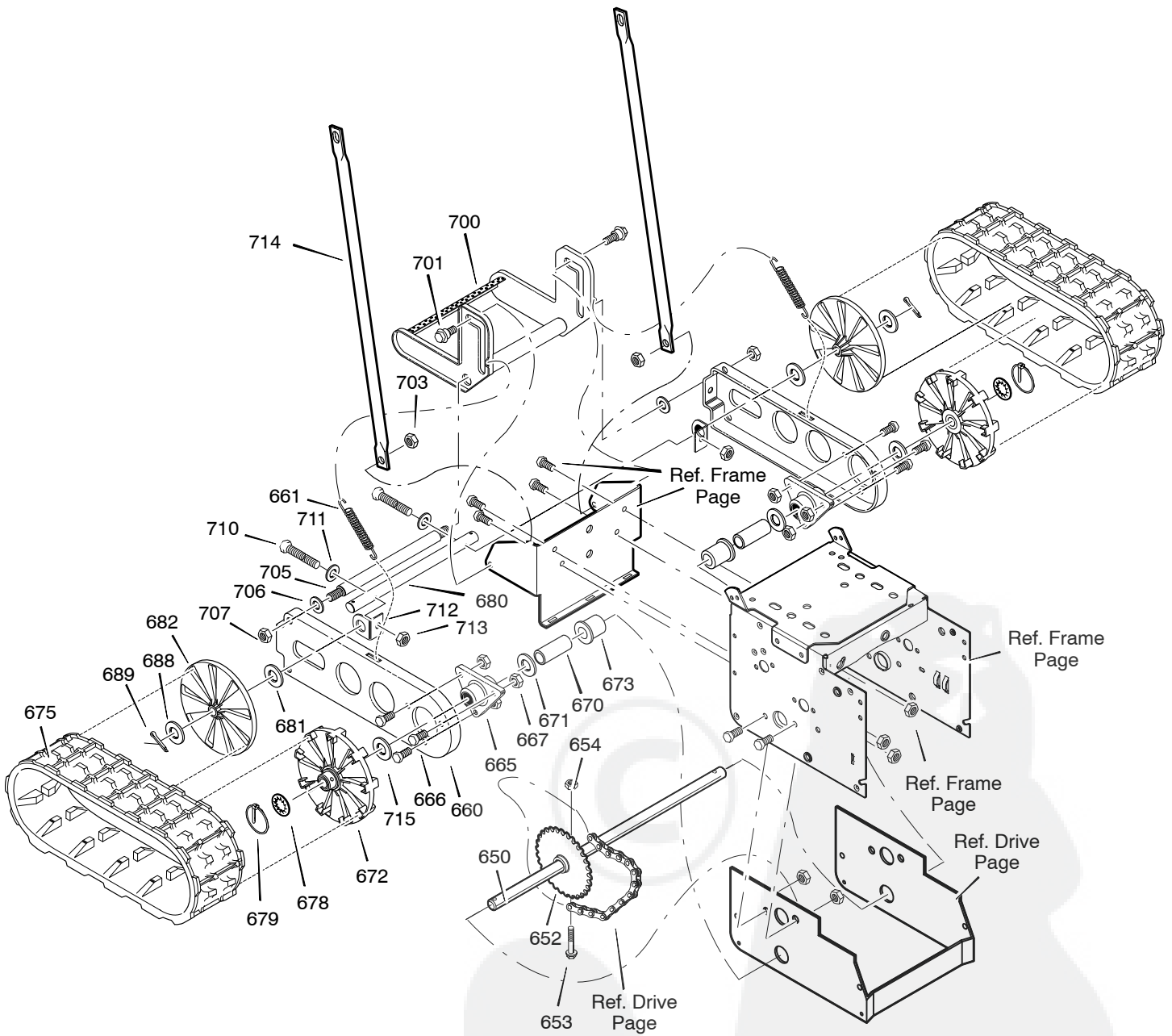
Key No.	Part No.	Description	Key No.	Part No.	Description
300	896	CASE, GEAR, RH	316	73905	KEY, WOODRUFF #91
301	895	CASE, GEAR, LH	320	53737	RING, QUAD 0.924 ID
303	910828	SCREW, 5/16-24 x 1.00	321	583126	BEARING, FLANGE
304	71100	NUT, 5/16-24	322	48275	WASHER, FLAT
305	330434	SCREW, 5/16-24 x 1.50	323	50684	BEARING, ROLLER
306	53749	PLUG, PIPE 0.25-18	324	48275	WASHER, FLAT
310	780151	SEAL, OIL	326	50795	KEY
311	53743	BEARING, SLEEVE	327	53732	WORM
312	53748	WASHER, FLAT	330	53731	BEARING, SLEEVE
313	760529	SHAFT, AUGER OUTPUT	340	1501147E701	IMPELLER
314	897	GASKET, GEAR BOX	—	333431	10oz TUBE LUBRIPLATE
315	53730	WORM GEAR			



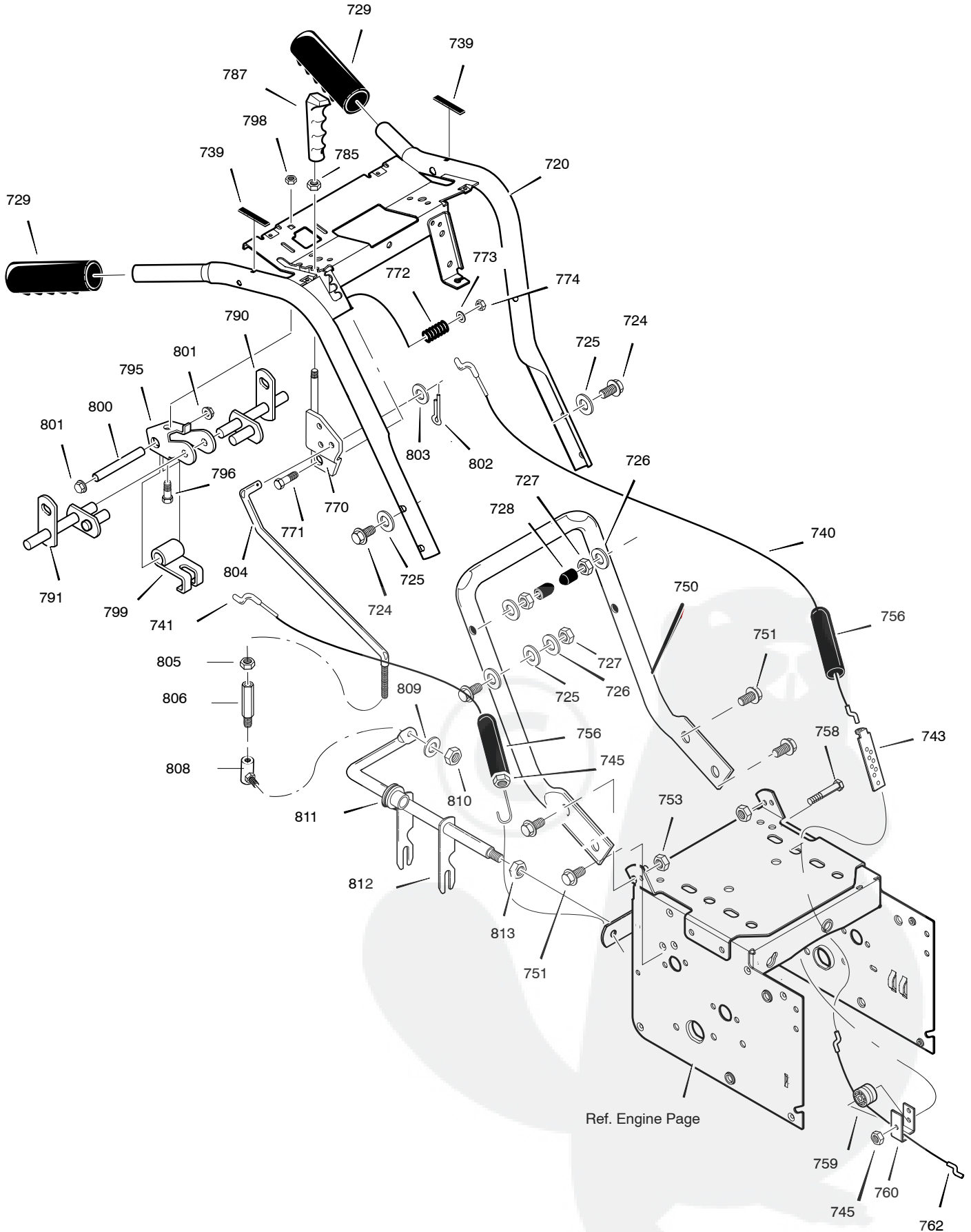
Key No.	Part No.	Description
480	583146	PULLEY, 4L 8.40 OD
482	2001022	KEY, SQUARE
484	15X112	NUT, 1/2-20
485	1501158	SPACER, FRICTION PULLEY
490	582957 YZ	RETAINER, BALL BRNG
491	1501389	BEARING, BALL
493	001X92	BOLT, HEX - 0.31-18X0.50
499	710026	NUT, 5/16-18 HEXWDFLLK
500	1501132E012	HOUSING, ASSY
509	760040	PLUG, CHRISTMAS TREE
510	760661E701	BLADE, SCRAPER
511	340720	BOLT, CARRIAGE
514	710026	NUT
520	760605E701	AUGER, ASSY, LH
521	760606E701	AUGER, ASSY, RH
522	9524	BOLT, 1/4-20 x 1.75
523	3943	SPACER, SLEEVE
524	73826	NUT, 1/4-20
525	53757	BEARING, AUGER SHAFT 1" ID
527	70984	SCREW, 5/16-18X .75
536	340720	BOLT, 5/16-18 x .75
540	30901E701	SKID, HEIGHT ADJUST
541	340720	BOLT, 5/16-18 X .75
544	710026	NUT, 5/16-18 REGHEX
--	1501216	KIT, SHEAR BOLT



Key No.	Part No.	Description
90	1501055E701	COVER, BOTTOM
91	310169	SCREW, 1/4-20X .62
103	1501226 YZ	IDLER ASSEMBLY, AUGER
105	711682	PIN, HAIR .38DIA X 1.64LG
106	761761	PIN, CLEVIS 3/16" DIA
107	165X159	SPRING, TENSION
108	761675 YZ	ASSY., SPRING ATTACH
110	585781	BOLT, 3/8-16X1.25 CARR.
111	711617	WASHER, FLAT
122	780055	SCREW, TAP 5/16-18 X .50
148	50793	PULLEY, IDLER
149	590	NUT, JAM 3/8-16
160	1501053	COVER, BELT
162	26X306	SCREW, TAP 1/4-20 X .63
166	71067	WASHER, FLAT
168	1501200	SPACER, AUGER BRACKET
170	1501220E701	BRACKET, TRACK SUPPORT
171	9357	SCREW, 5/16-18 X 0.75
172	710026	NUT, 5/16-18
173	1501219E012	EXTENSION, FRAME
174	71003	SCREW, 3/8-16 X 0.75
175	71111	NUT, 3/8-16



Key No.	Part No.	Description
650	1501221	SHAFT, AXLE
652	579901	SPROCKET AND HUB
653	73839	BOLT, HEX 1/4-20 x 2.25
654	15x145	NUT, 1/4-20
660	580635E717	PLATE, TRACK DIRECT
661	51447	SPRING, DRIVE IDLER
665	316863	BEARING, TRACK
666	302628	SCREW, 1/4-20 x075
667	15x143	NUT, 1/4-20
670	580763	SPACER, .750 ID x 1.30
671	712120	WASHER, FLAT
672	318719	WHEEL, TRACK DRIVE 0.75 ID x 8.5 OD
673	1501114	BEARING, AXLE
675	580984	TRACK
678	239	RING, RETAINER
679	322424	PIN, KLIK
680	580876	SHAFT, IDLER
681	579597	WASHER, FLAT
682	318720	WHEEL, TRACK IDLER, 0.63 ID x 8.50 OD
688	579597	WASHER, FLAT
689	302847	PIN, COTTER
700	580657E701	PEDAL, FOOT
701	6001	BOLT, .430 x .265
703	710026	NUT, 5/16-18
705	580652	SHAFT, FOOT PEDAL -4.75"
706	71072	WASHER, FLAT
707	711906	NUT, 3/8-16
710	302618	SCREW, 1/4-20 x 3.00
711	71067	WASHER, FLAT
712	581033 YZ	BRACKET, TRACK TENSIONER
713	15x145	NUT, 1/4-20
714	1501222E701	BRACE
715	6104	WASHER

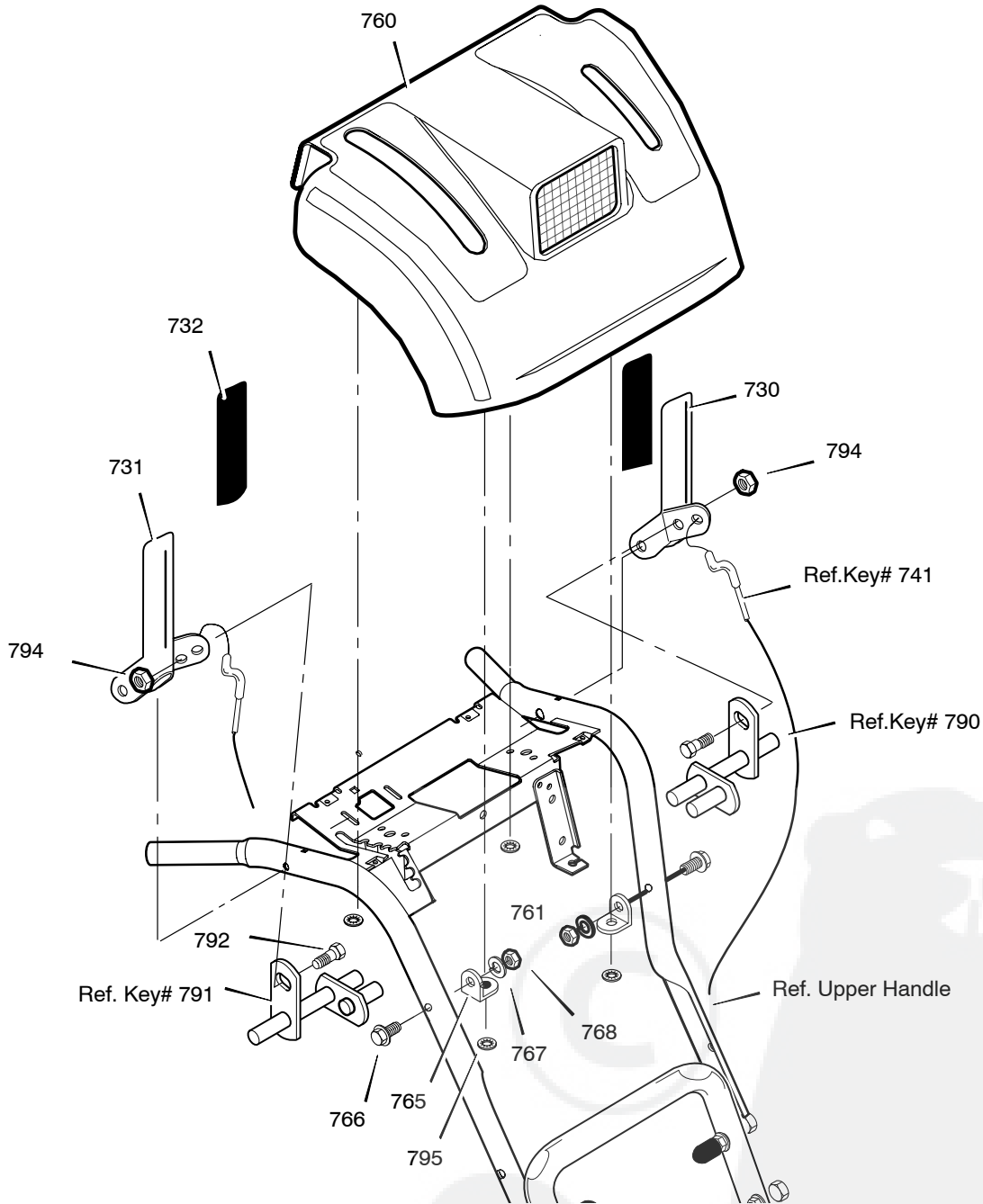


MODEL 627801x85A

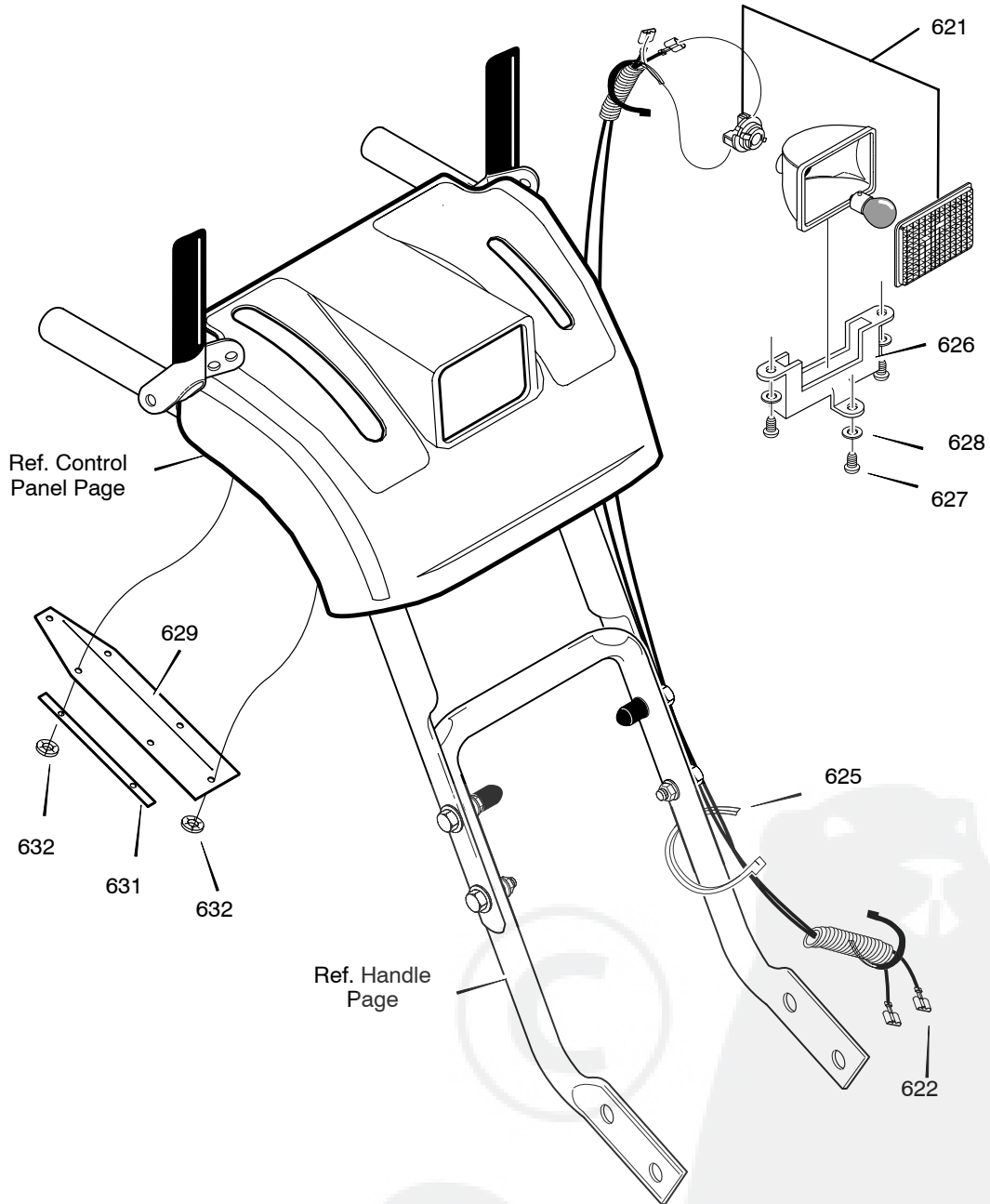
REPAIR PARTS

HANDLE ASSEMBLY

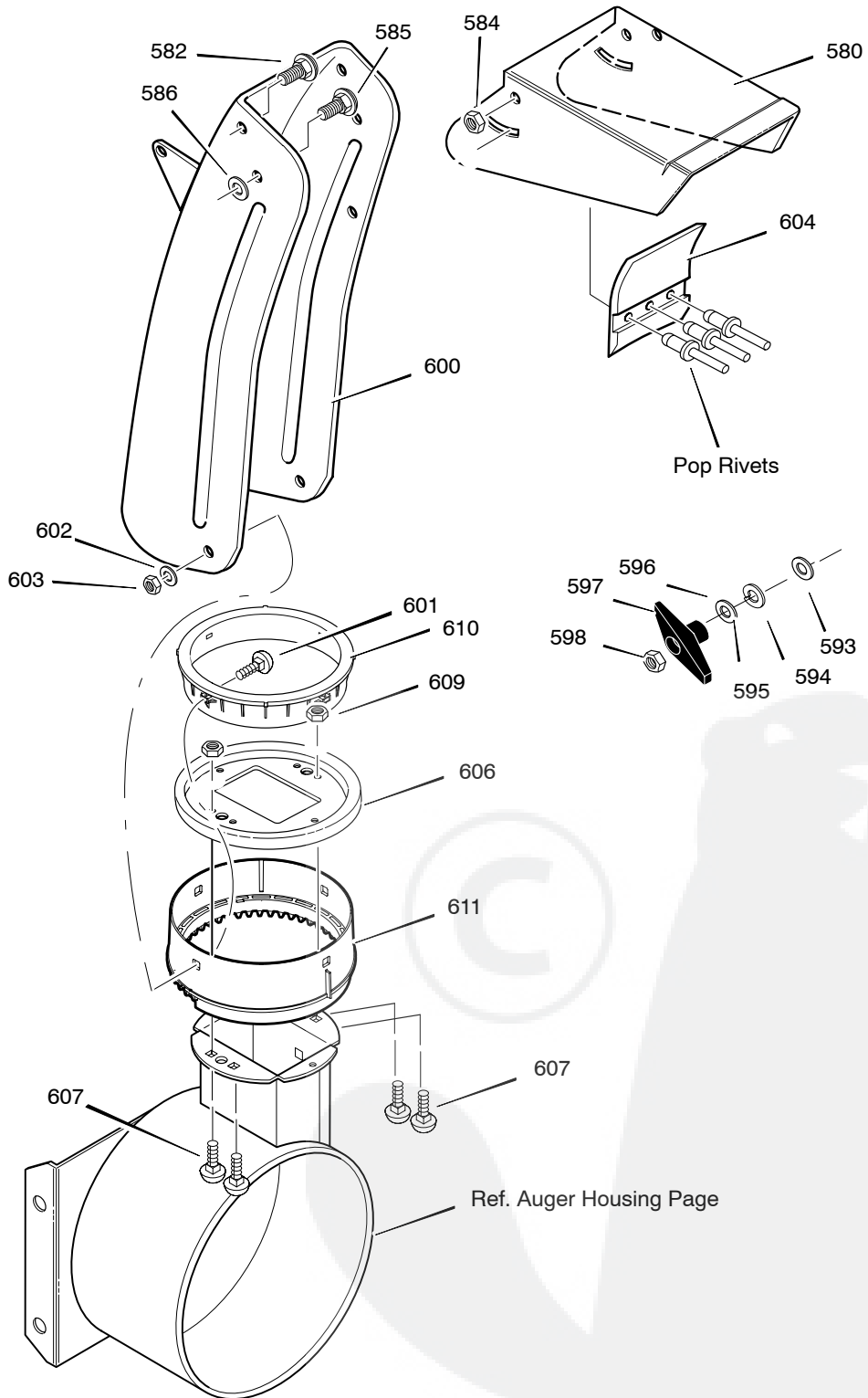
Key No.	Part No.	Description	Key No.	Part No.	Description
720	1501376E701	ASSY, HANDLE	791	578924	ROD, ASSY RH
724	7288	SCREW	795	579002	BRACKET, CAM
725	71072	WASHER, FLAT	796	002x53	SCREW
726	71062	WASHER	798	15x144	NUT, NYLOCK
727	71044	NUT	799	8417	CAM LOCK
728	7289	STOP, PLASTIC	800	584673	PIN, SPRING PIVOT
729	337399	GRIP, HANDLE	801	73664	NUT, PUSH ON
739	4049	BUMPER	802	71081	PIN, COTTER
740	1501124	CABLE, CLUTCH AUGER DR	803	71071	FLATWASHER
741	761590	CABLE, AUGER CLUTCH	804	1501728	ROD, SPEED CTRL
743	313441	BRKT, CABLE ADJ	805	71042	NUT, 5/16-18
744	1673	SPRING, CLUTCH	806	6352	ADAPTER, ROD
745	15x145	NUT, HEX	808	50782	BALLJOINT, STEEL
750	5543E701	HANDLE, LOWER	809	71060	WASHER
751	25X021	SCREW	810	15X144	NUT, 5/16-18
758	001798	BOLT, HEX	811	579944	BEARING, FL
759	579860	SPOOL, CABLE	812	1501110 YZ	ROD, YOKE
760	1501059 YZ	BRKT, SPOOL	813	11X30	RETAINER, RING
762	1501122	CABLE, DRIVE			
764	15X144	NUT, 5/16-18			
765	308146	BOOT, CABLE			
770	1501570 YZ	BRACKET, SHIFT			
771	7288	SCREW, 3/8-16 x 3.00			
772	50786	SPRING			
773	71072	WASHER, FLAT			
774	71046	NUT, HEX			
785	71035	NUT, HEX			
787	306689	KNOB, SHIFT			
790	578926	ROD, ASSY LH			



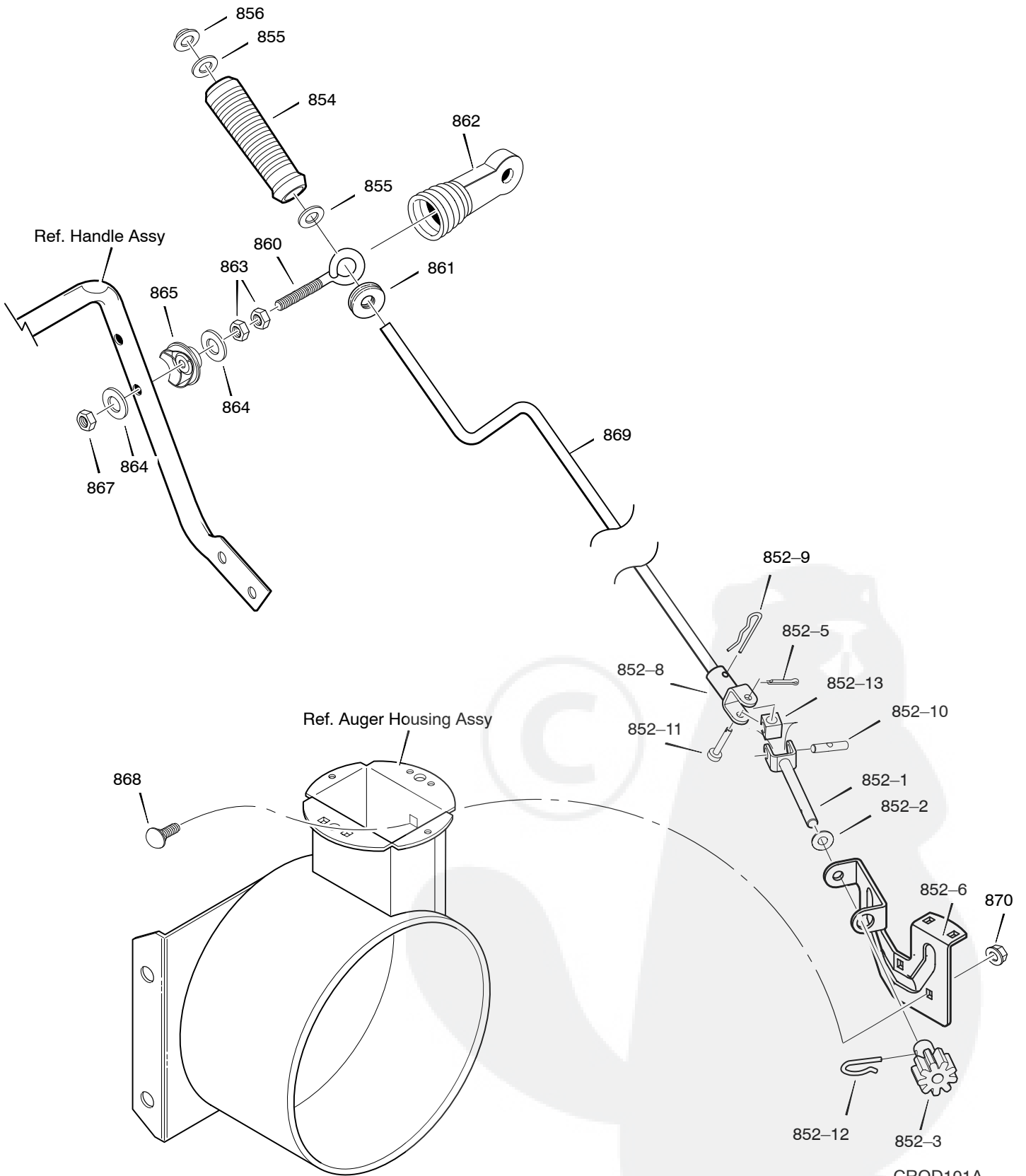
Key No.	Part No.	Description
730	1501357E701	CLUTCH HANDLE LH
731	1501358E701	CLUTCH HANDLE RH
732	337380	GRIP, CLUTCH HANDLE
760	1501328	PANEL, CONTROL
765	578866E701	BRACKET, PANEL
766	302900	SCREW, 5/16-18 X 1.75
767	71060	WASHER
768	15x144	NUT, 5/16-18
792	905531	BOLT, 1/4-20 X .50
794	908913	NUT, 1/4-20
795	028X79	NUT, PUSH



Key No.	Part No.	Description
621	762343	LIGHT, HALOGEN
622	1501455	HARNESS, WIRE
625	071372	TIE, CABLE
626	578921	BRACKET, LIGHT
627	901696	SCREW #8 X .50
628	901736	WASHER, FLAT
629	1501401	COVER, SPEED LEVER
630	1501330	FRAME, SPEED LEVER
632	028x79	NUT, PUSH

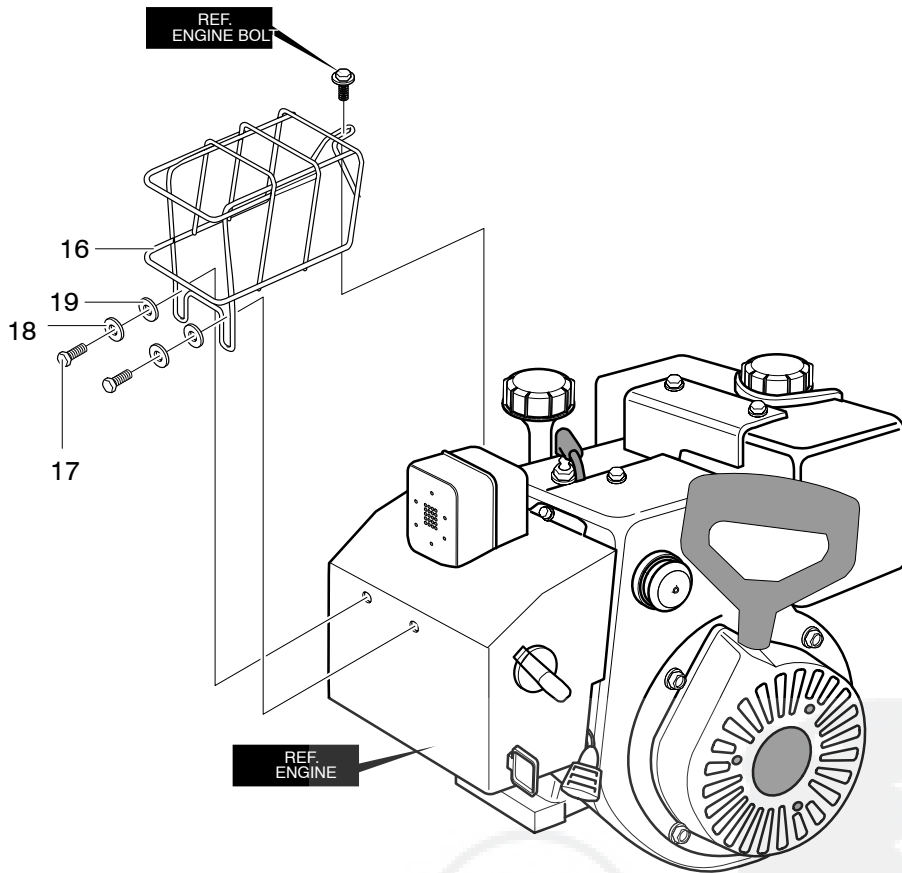


Key No.	Part No.	Description
580	761070E701	CHUTE, UPPER W/REMOTE
582	578088	SCREW, 5/16-18 X.75
584	71038	NUT
585	578088	SCREW, 5/16-18 X.75
593	6711	WASHER, PLASTIC
594	71071	WASHER, FLAT
595	71060	WASHER, SPLIT
596	71071	WASHER, FLAT
597	57171	KNOB, T 3.00
598	15X144	NUT
600	761328E701	CHUTE, LOWER / GUARD
601	2x100	BOLT
602	71071	WASHER, FLAT
603	71038	NUT
604	762322	FLAP
606	585214 YZ	CHUTE COLLAR
607	02x101	BOLT
609	15x145	NUT
610	337227	RETAINER, RING INNER
611	1501282	RETAINER, RING OUTER



CROD101A

Key No.	Part No.	Description
852-1	1501309 YZ	ASSEMBLY, YOKE & ROD
852-2	313431	WASHER, CURVED SPRING
852-3	1501067	GEAR, CHUTE ROTATION 9T
852-5	71082	PIN, COTTER
852-6	1501306E701	BRACKET, GEAR MOUNT
852-7	579493	PIN, COTTER
852-8	1501075 YZ	ASSEMBLY, YOKE ADAPTER YZ
852-9	711682	PIN, HAIR
852-10	578060	PIN, UNIVERSAL JOINT
852-11	578309	PIN, CLEVIS
852-12	1501293	PIN, HAIR
852-13	578063	HOUSING, UNIVERSAL
854	307399	HANDLE
855	309312	FLATWASHER
856	73664	NUT, PUSH ON 3/8"
860	581618	EYE BOLT 3/8-16X6.00
861	148	GROMMET, EYE BOLT
862	308145	BOOT, EYE BOLT
863	71045	NUT, 3/8-16 HEXJAM
864	71072	FLATWASHER .406X.81X.066
865	309344	ADAPTER, BOOT
867	71046	NUT, 3/8-16 HEXNYL
868	002X98	BOLT, CARRIAGE 1/4-20 X 1.00
869	1501074 YZ	CRANK, ASSY CHUTE
870	15x145	NUT



Key No.	Part No.	Description
16	304436	GUARD, MUFFLER
17	304807	SCREW
18	304810	WASHER
19	304809	WASHER