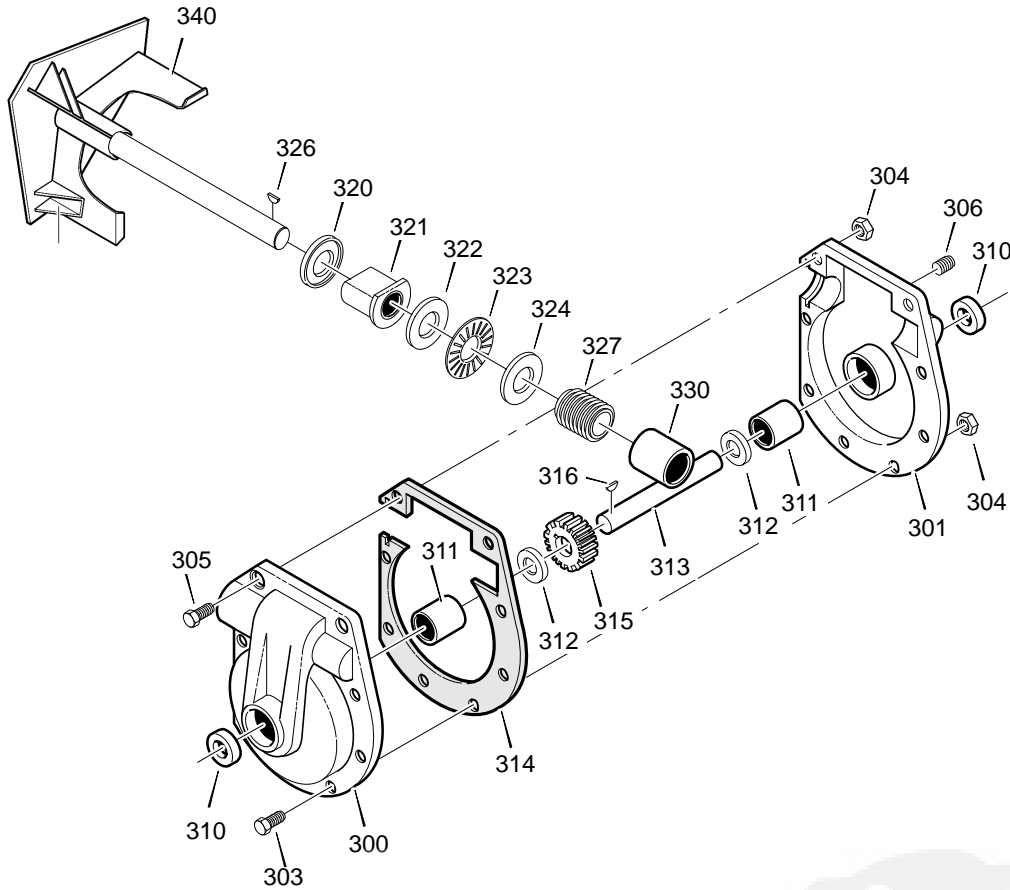


Key No.	Part No.	Description
1	761332	CORD, STARTER
2	-----	ENGINE
3	2x97	BOLT, CARRIAGE 5/16-18
5	28x76	RETAINER, PUSH
6	710026	NUT, HEX 5/16-18
8	1501109	PULLEY, ENGINE
10	710247	WASHER
12	71063	WASHER .38ID
14	71015	SCREW, 3/8-24X1.00
16	37x127	BELT, HYDRO DRIVE
18	585416	BELT, V 4L 38.1MF16" 5-10
19	1501368	GUIDE, BELT
20	1501201	GUIDE, BELT
22	71060	WASHER, SPTLK .31X.58X.08
24	710097	SCREW, 5/16-24X 0.75
25	-----	FRAME ASSEMBLY
25-1	1501062E245	PLATE, ENGINE MOUNT
25-2	310169	SCREW, TAP 1/4-20 X .63
25-3	780055	SCREW, TAP 5/16-18 X .50
25-4	1501295E245	FRAME, MOTOR BOX
25-5	1501333E245	PANEL, BACK - HYDRO
—	F-021039L	OWNER'S MANUAL



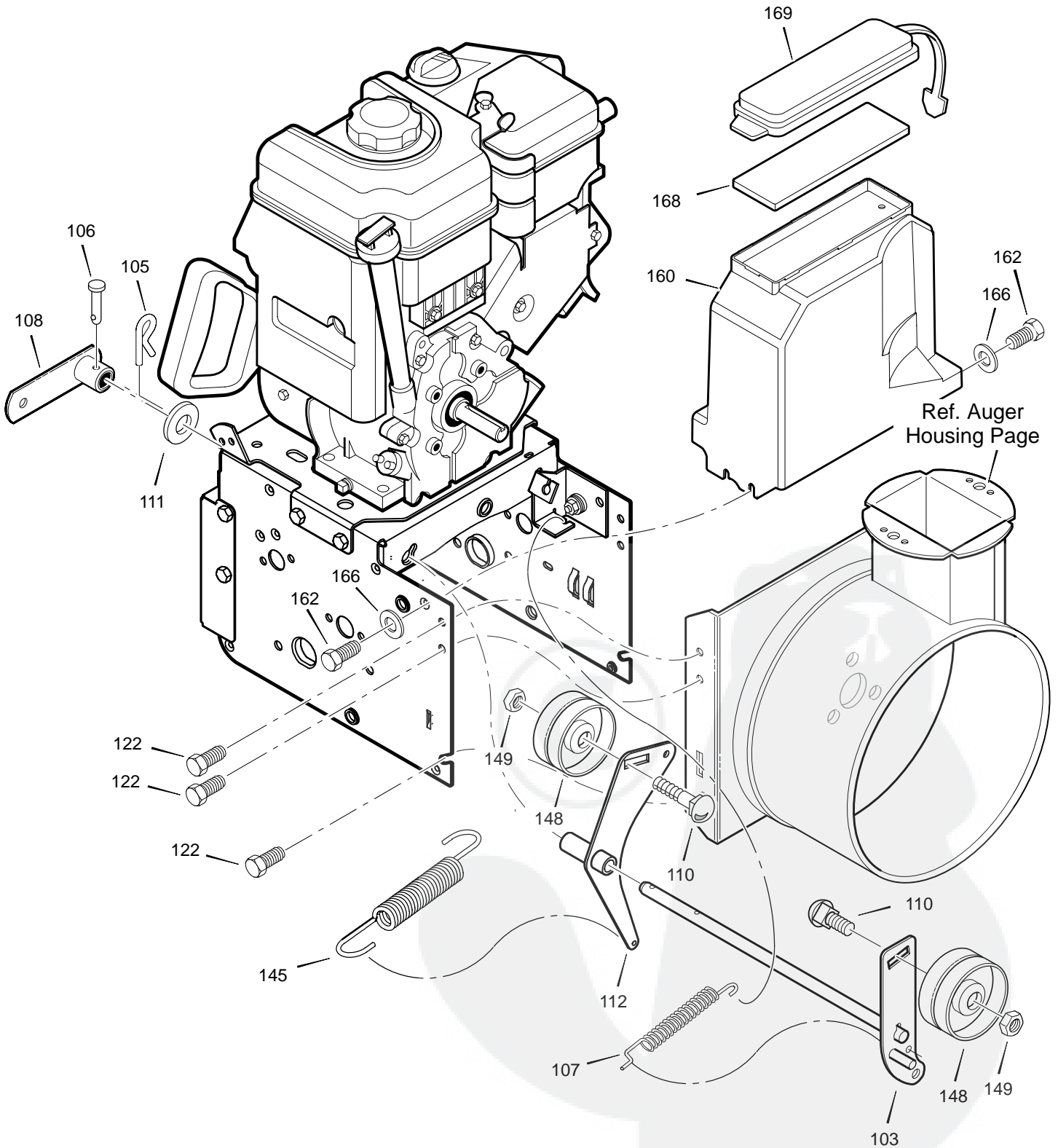
GEAR105A

Key No.	Part No.	Description
300	896	CASE, GEAR, RH
301	895	CASE, GEAR, LH
303	910828	SCREW, 5/16-24 X 1.00
304	71100	NUT, 5/16-24
305	330434	SCREW, 5/16-24X1.50
306	53749	PLUG, PIPE 1/4-18
310	780151	SEAL, OIL
311	53743	BEARING, SLEEVE
312	53748	WASHER, FLAT
313	760528	SHAFT, AUGER OUTPUT
314	897	GASKET, GEAR BOX
315	53730	WORM GEAR
316	73905	KEY, WOODRUFF #61
320	53737	RING, QUAD
321	583126	BEARING, FLANGE
322	48275	WASHER, FLAT
323	50684	BEARING, ROLL
324	48275	WASHER, FLAT
326	50795	KEY
327	53732	GEAR, WORM
330	53731	BEARING, SLEEVE
340	1501147E717	IMPELLER
—	333431	10oz TUBE LUBRIPLATE

* (NOT ILLUSTRATED)

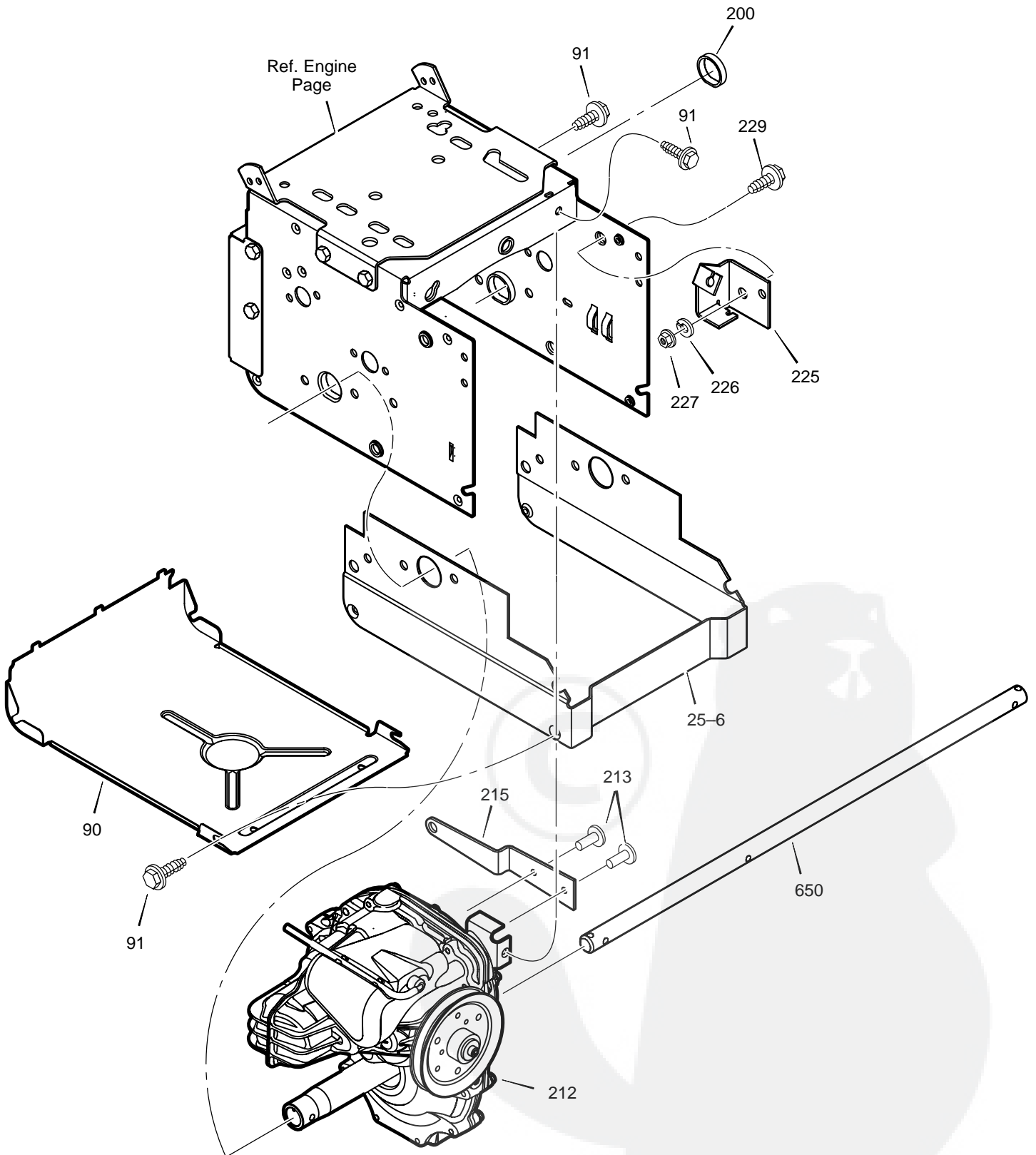
MODEL 629909x54A

REPAIR PARTS FRAME



Key No.	Part No.	Description
103	1501369 YZ	IDLER ASSEMBLY, AUGER
105	711682	PIN, HAIR
106	761761	PIN, KLIK 3/16" DIA
107	165X159	SPRING, TENSION
108	761675 YZ	ASSY., SPRING ATTACH
110	585781	BOLT, 3/8-16X1.25 CARR.
111	711617	WASHER, FLAT
112	1501370 YZ	BRACKET, DRIVE IDLER
122	780055	SCREW, TAP 5/16-18 X .50
145	165X155	SPRING, CLUTCH
148	50793	PULLEY, IDLER
149	590	NUT, JAM 3/8-16
160	1501171	COVER, BELT
162	26X306	SCREW, TAP 1/4-20 X .63
166	71067	WASHER, FLAT
168	761187	PAD, FOAM
169	761167	LID

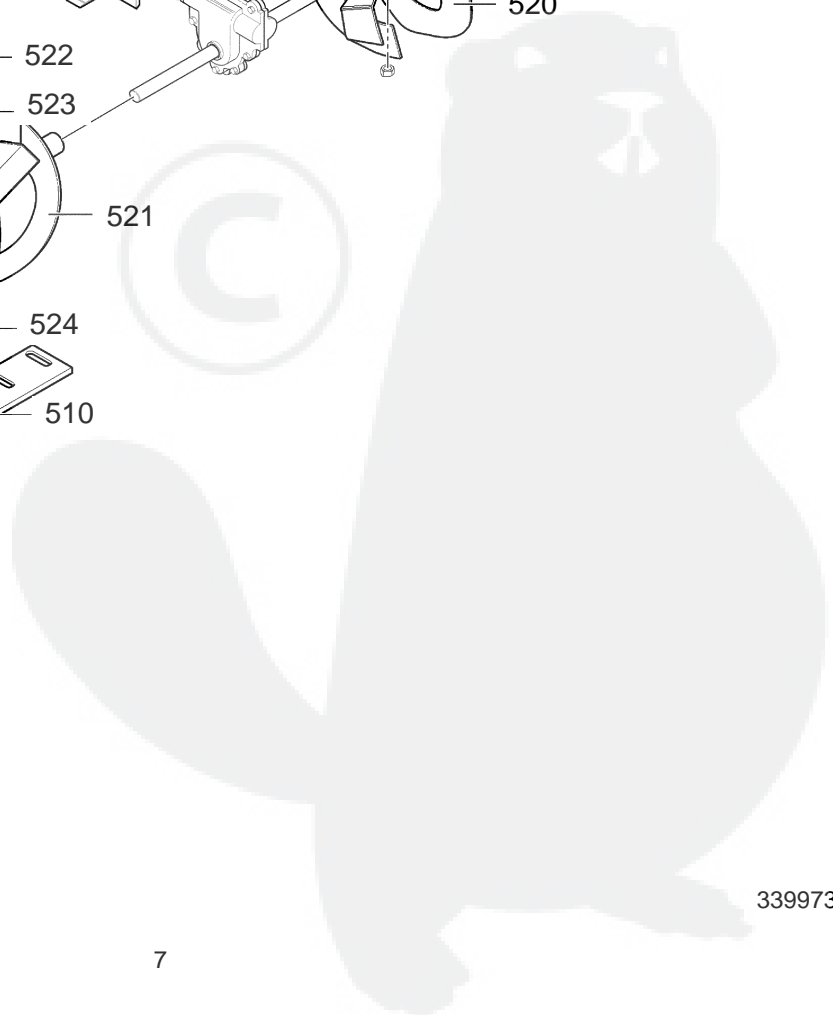
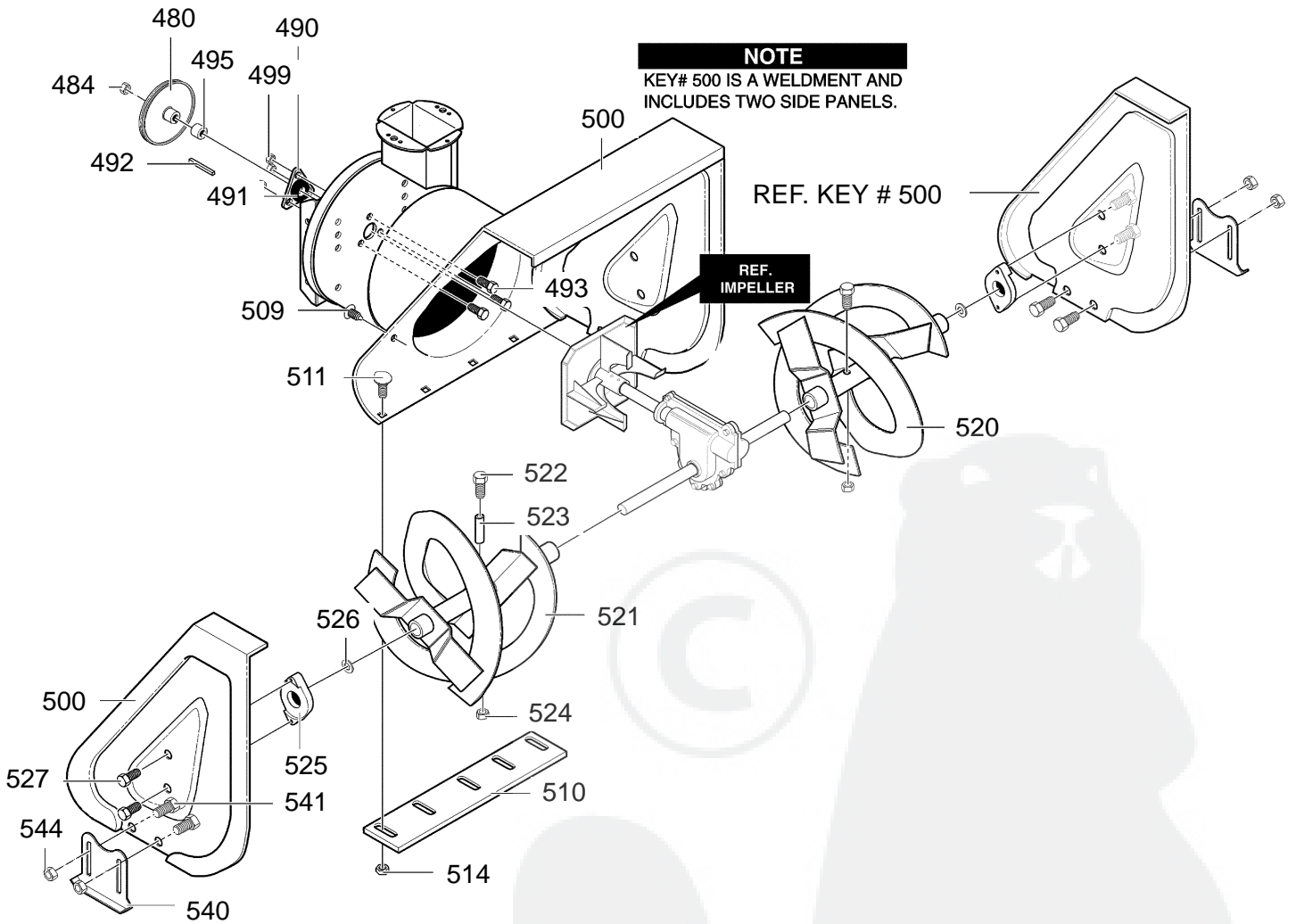




Key No.	Part No.	Description
90	1501311E717	COVER, BOTTOM
91	310169	SCREW, 1/4-20 X 0.62
25-6	1501334E245	FRAME, EXTENSION - HYDRO
200	1501496	PLUG, HEYCO
212	--- * ---	TRANSMISSION, HYDRO-GEAR
213	021X11	RIVET, BLIND
215	1501366	ARM, CONTROL EXTENSION
225	1501361	BRACKET, DRIVE CABLE
226	71063	WASHER, LOCK
227	71045	NUT, HEX JAM - 3/8-16
229	025X19	SCREW
650	1501365	AXLE, WHEEL

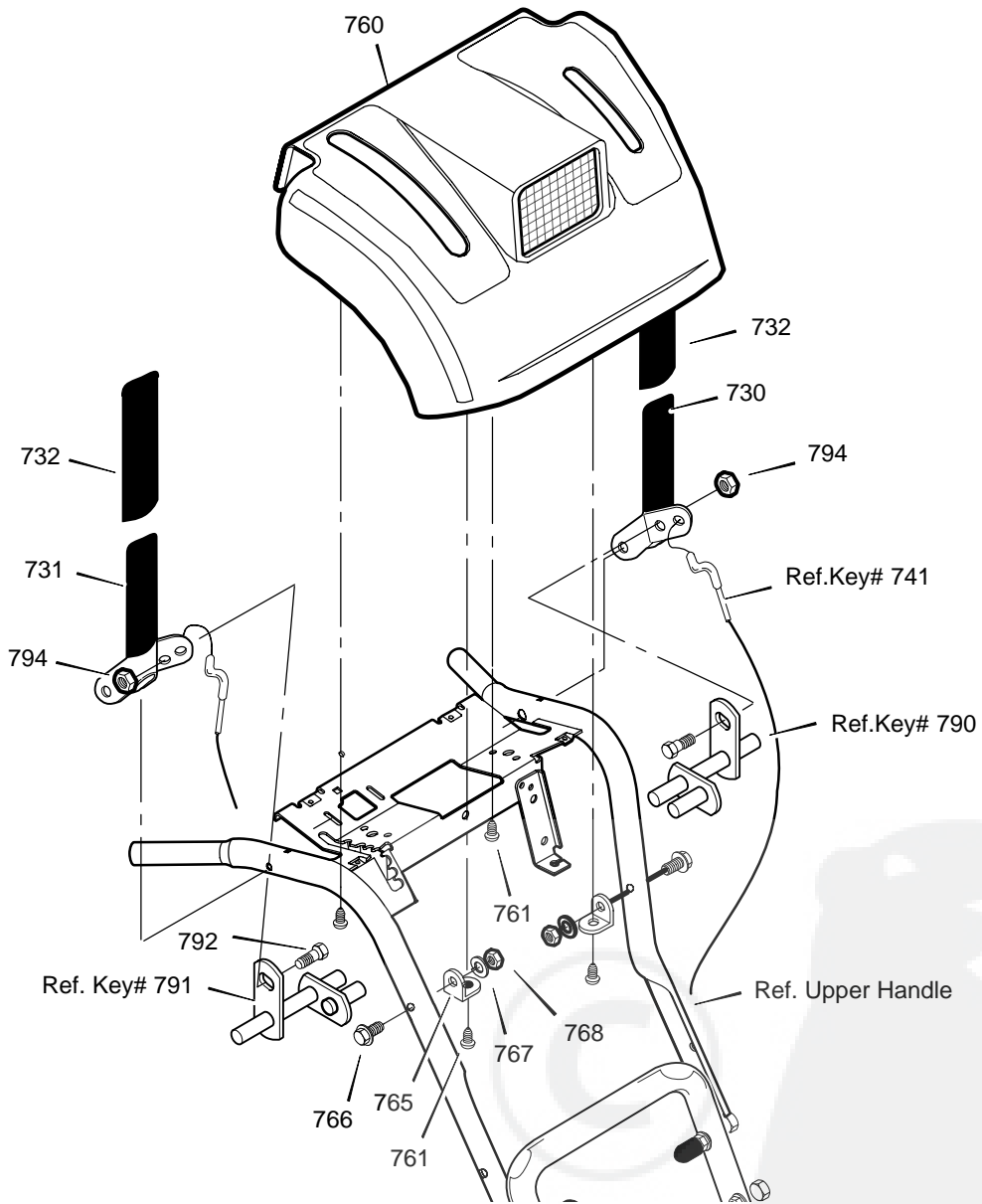
*For service on the HYDRO-GEAR Transmission, model number 1501353:
CONTACT: Your local HYDRO-GEAR Authorized service dealer.



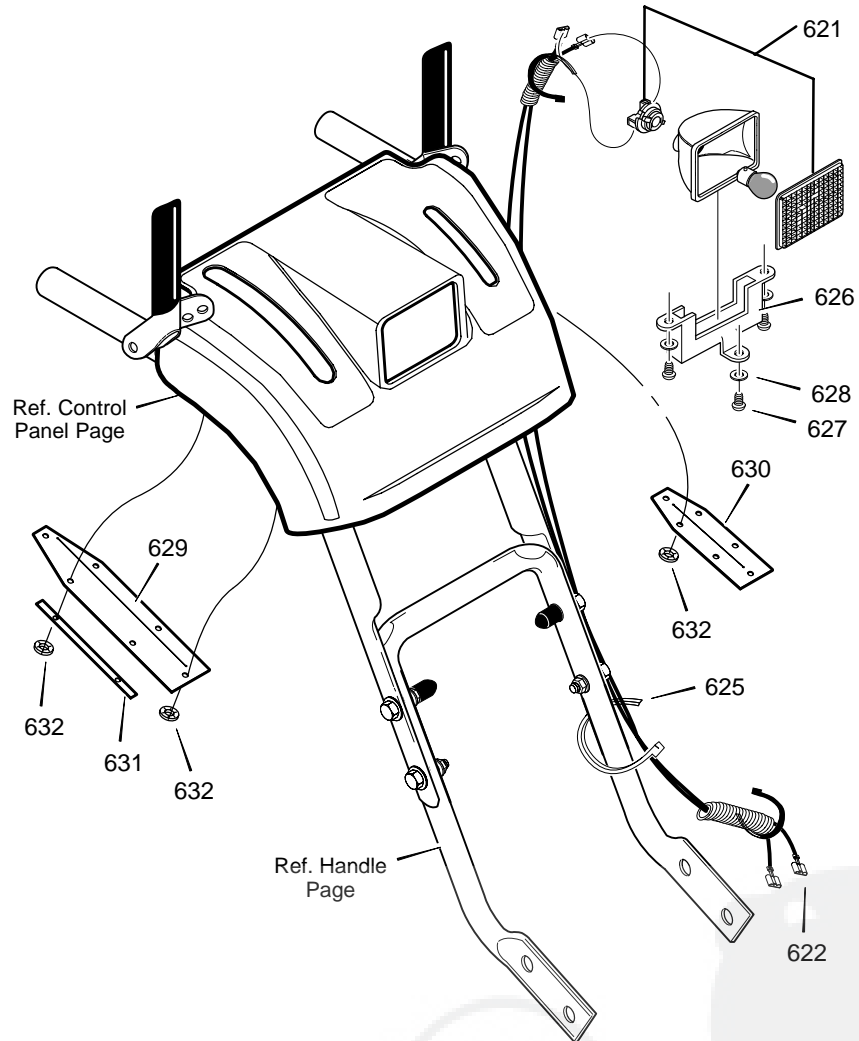


Key No.	Part No.	Description
480	583146	PULLEY
484	15X112	NUT, 1/4-20
490	582957 YZ	RETAINER, BALL BRNG
491	43846	BEARING, BALL
492	2001022	KEY, SQUARE
493	001X92	BOLT, HEX - 0.31-18X0.50
495	1501158	SPACER, FRICTION PULLEY
499	710026	NUT, 5/16-18 HEXWDFLLK
500	1501121E245	HOUSING, ASSY
509	760040	PLUG, CHRISTMAS TREE
510	760655E717	BLADE, SCRAPER
511	340720	BOLT, 1/4-20X.75
514	710026	NUT
520	760597E717	AUGER, ASSY, LH
521	760598E717	AUGER, ASSY, RH
522	9524	SCREW, 1/4-20X1.75
523	3943	SPACER, SLEEVE
524	73826	NUT, 1/4-20
525	53757	BEARING, FLANGE
527	70984	SCREW, 5/16-18X .75
540	762379E717	SKID, HEIGHT ADJUST
541	340720	BOLT, 5/16-18 X .75
544	710026	NUT, 5/16-18 REGHEX

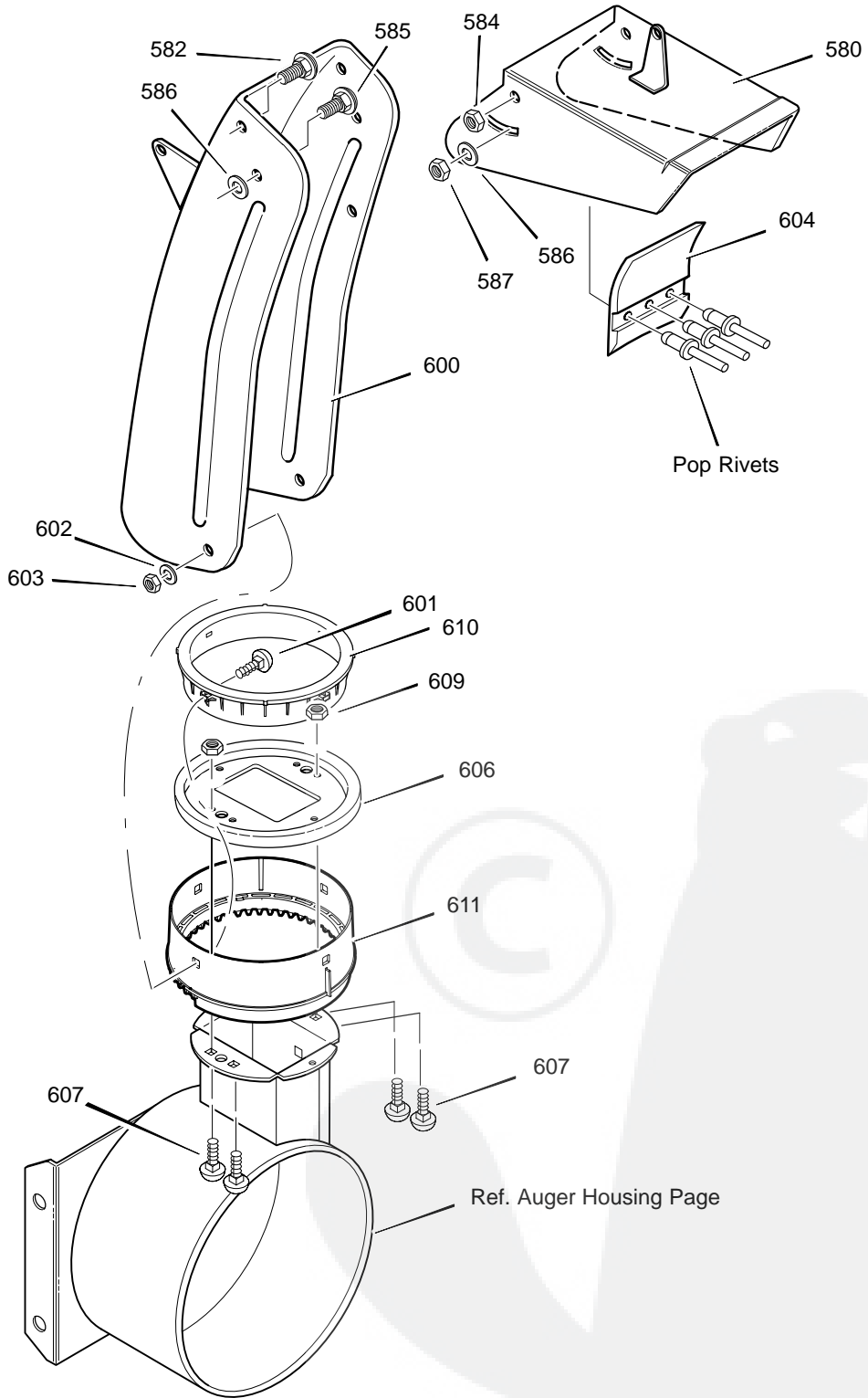
Key No.	Part No.	Description
720	1501381E717	ASSY., HANDLE
723	01x129	BOLT
724	7288	SCREW
725	71072	WASHER, FLAT
726	71062	WASHER
727	71044	NUT
728	7289	STOP, PLASTIC
729	337399	GRIP, HANDLE
739	4049	BUMPER
740	1501363	CABLE, CLUTCH
741	1501451	CABLE, CLUTCH
744	1673	SPRING, CLUTCH
745	15x116	NUT, HEX
750	1501449E717	HANDLE, LOWER
751	70984	SCREW
752	71060	WASHER, SPTLK
753	1501465	ASSEMBLY, ROD & BALL JOINT
759	579860	SPOOL, CABLE
756	308146	BOOT, CABLE
760	71042	NUT, 5/16-24
762	310169	SCREW, 1/4-20 X 0.63
764	1501367 YZ	BRACKET, SPEED CONTROL
770	1501375 YZ	BRACKET, SHIFT
771	7288	SCREW
772	50786	SPRING
773	71072	WASHER, FLAT
774	71046	NUT, HEX
785	71045	NUT, HEX
787	304728	KNOB, SHIFT
790	578926E717	ROD, ASSY LH
791	578924E717	ROD, ASSY RH
795	579002	BRACKET, CAM
796	002x53	SCREW
798	71038	NUT, NYLOCK
799	8417	CAM LOCK
800	584673	PIN, SPRING PIVOT
801	73664	NUT, PUSH ON
802	71081	PIN, COTTER
803	71071	FLATWASHER



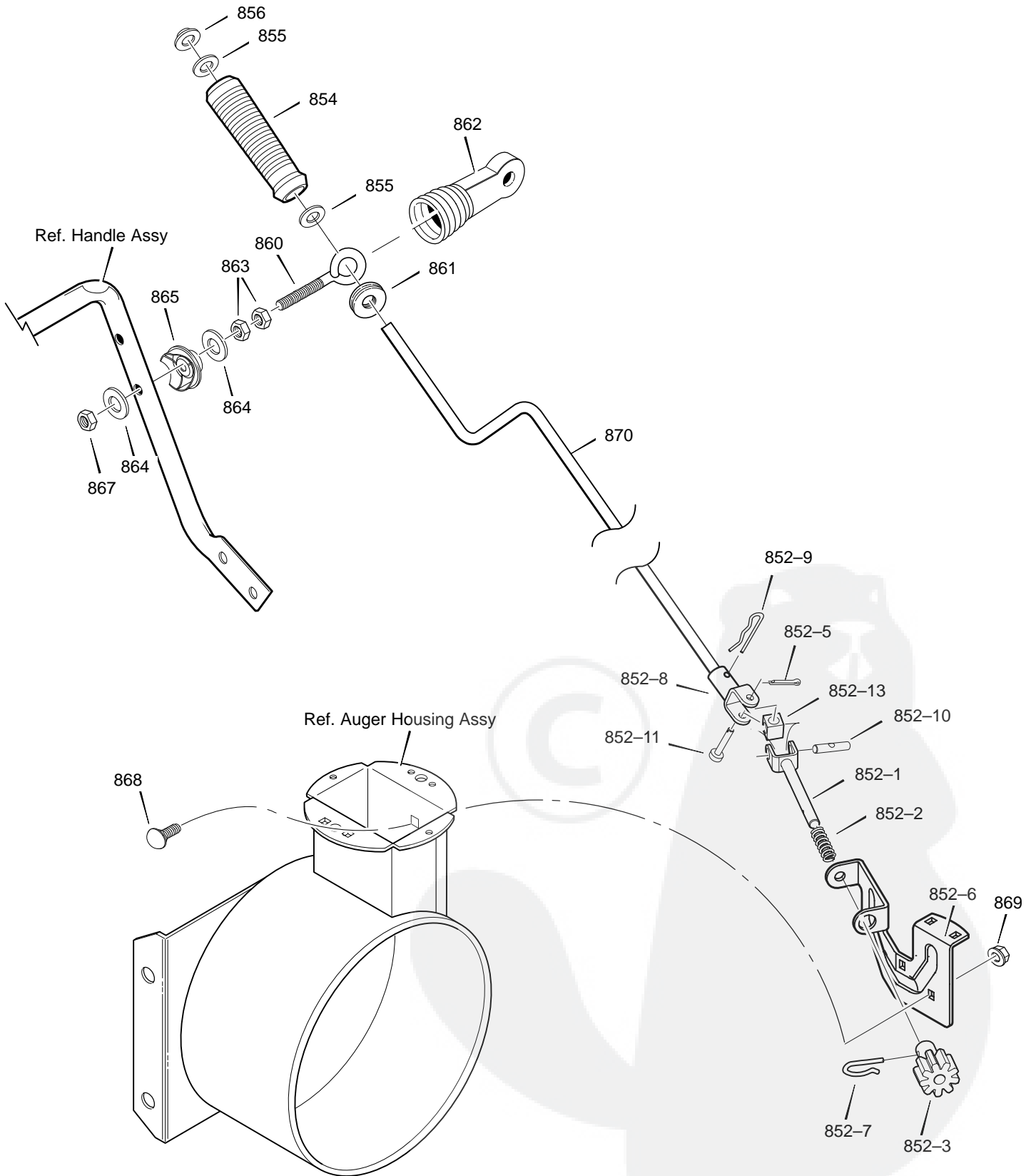
Key No.	Part No.	Description	Key No.	Part No.	Description
730	1501357E717	CLUTCH HANDLE LH	766	302900	SCREW, 5/16-18 X 1.75
731	1501358E717	CLUTCH HANDLE RH	767	71060	WASHER
732	337380	GRIP	768	15x144	NUT, 5/16-18
760	1501327	PANEL, CONTROL	792	905531	BOLT, 1/4-20 X .50
761	316042	SCREW, 10 X .62	794	908913	NUT, 1/4-20
765	578866E717	BRACKET, PANEL			



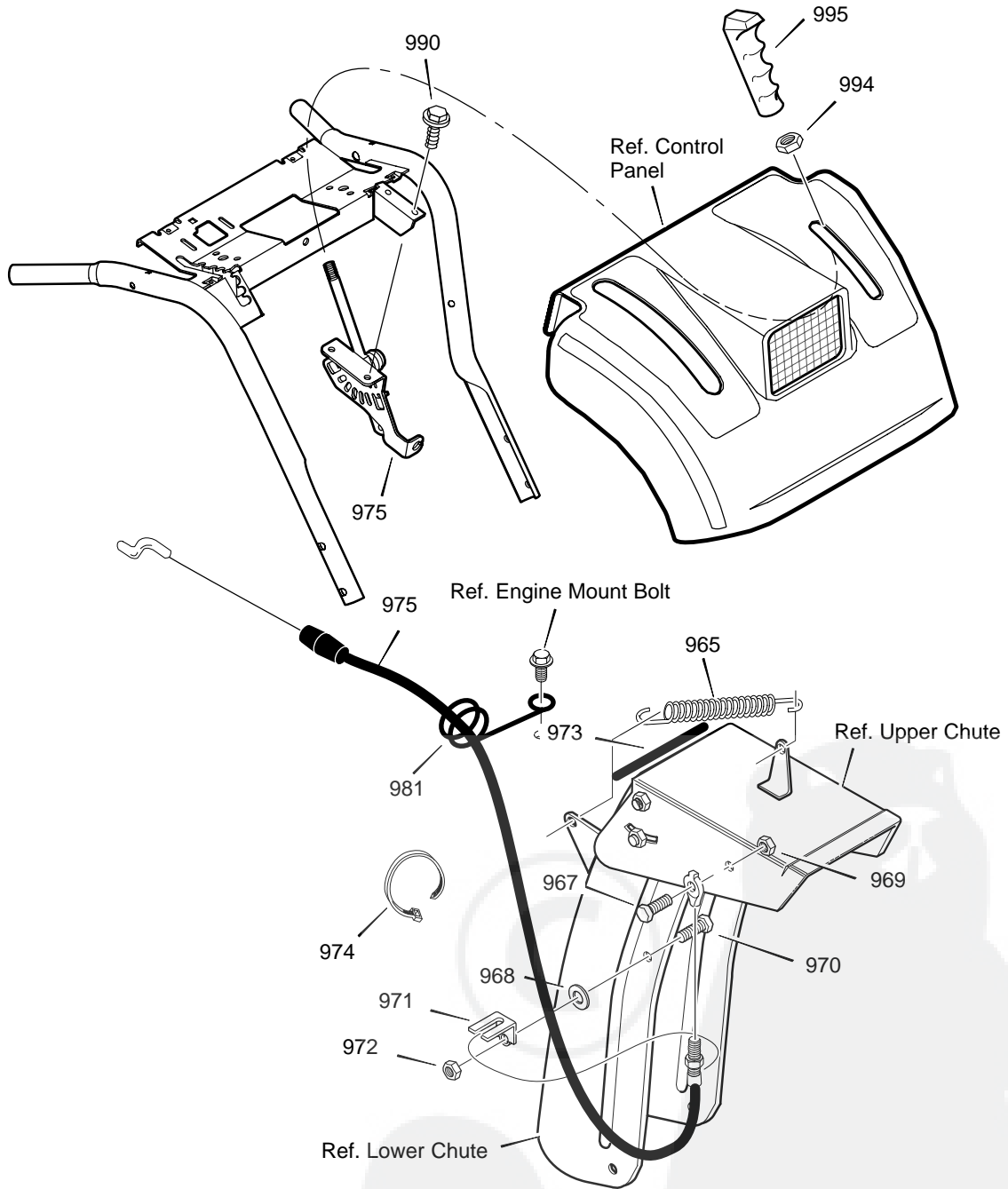
Key No.	Part No.	Description
621	762343	LIGHT
622	1501455	HARNESS, WIRE
625	71372	TIE, CABLE
626	578921	BRACKET
627	901696	SCREW #8 X .50
628	901736	WASHER, FLAT
629	1501401	COVER
630	1501402	COVER
631	1501330	FRAME
632	028x79	NUT, PUSH



Key No.	Part No.	Description
580	761168E717	CHUTE, UPPER W/REMOTE
582	578088	SCREW, 5/16-18 X.75
584	71038	NUT
585	578088	SCREW, 5/16-18 X.75
586	6711	PLASTIC WASHER
587	71038	NUT
600	761329E717	CHUTE, LOWER W/REMOTE
601	586280	BOLT
602	71071	WASHER, FLAT
603	71038	NUT
604	762322	FLAP
605	760987	RIVET
606	585214 YZ	CHUTE COLLAR
607	340714	BOLT
609	15X145	NUT
610	337227	RETAINER, RING INNER
611	1501282	RETAINER, RING OUTER



Key No.	Part No.	Description
852-1	1501533 YZ	ASSEMBLY, YOKE & ROD
852-2	164x37	SPRING, COMPRESSION
852-3	1501067	GEAR, CHUTE ROTATION 9T
852-5	579493	PIN, COTTER
852-6	1501306E701	BRACKET, GEAR MOUNT
852-7	1501293	PIN, HAIR
852-8	1501075 YZ	ASSEMBLY, YOKE ADAPTER YZ
852-9	711682	PIN, HAIR
852-10	578060	PIN, UNIVERSAL JOINT
852-11	578309	PIN, CLEVIS
852-13	578063	HOUSING, UNIVERSAL
854	307399	KNOB, SLEEVE
855	309312	FLATWASHER
856	73664	NUT, PUSH ON 3/8"
860	1501456	EYE BOLT 3/8-16X6.50
861	148	GROMMET, EYE BOLT
862	1501457	BOOT, EYE BOLT
863	71045	NUT, 3/8-16 HEXJAM
864	71072	FLATWASHER .406X.81X.066
865	309344	ADAPTER, BOOT (2 REQUIRED)
867	71046	NUT, 3/8-16 HEXNYL
868	2X98	BOLT, CARRIAGE 1/4-20 X 1.00
869	15x145	NUT
870	1501074 YZ	CRANK, ASSY CHUTE

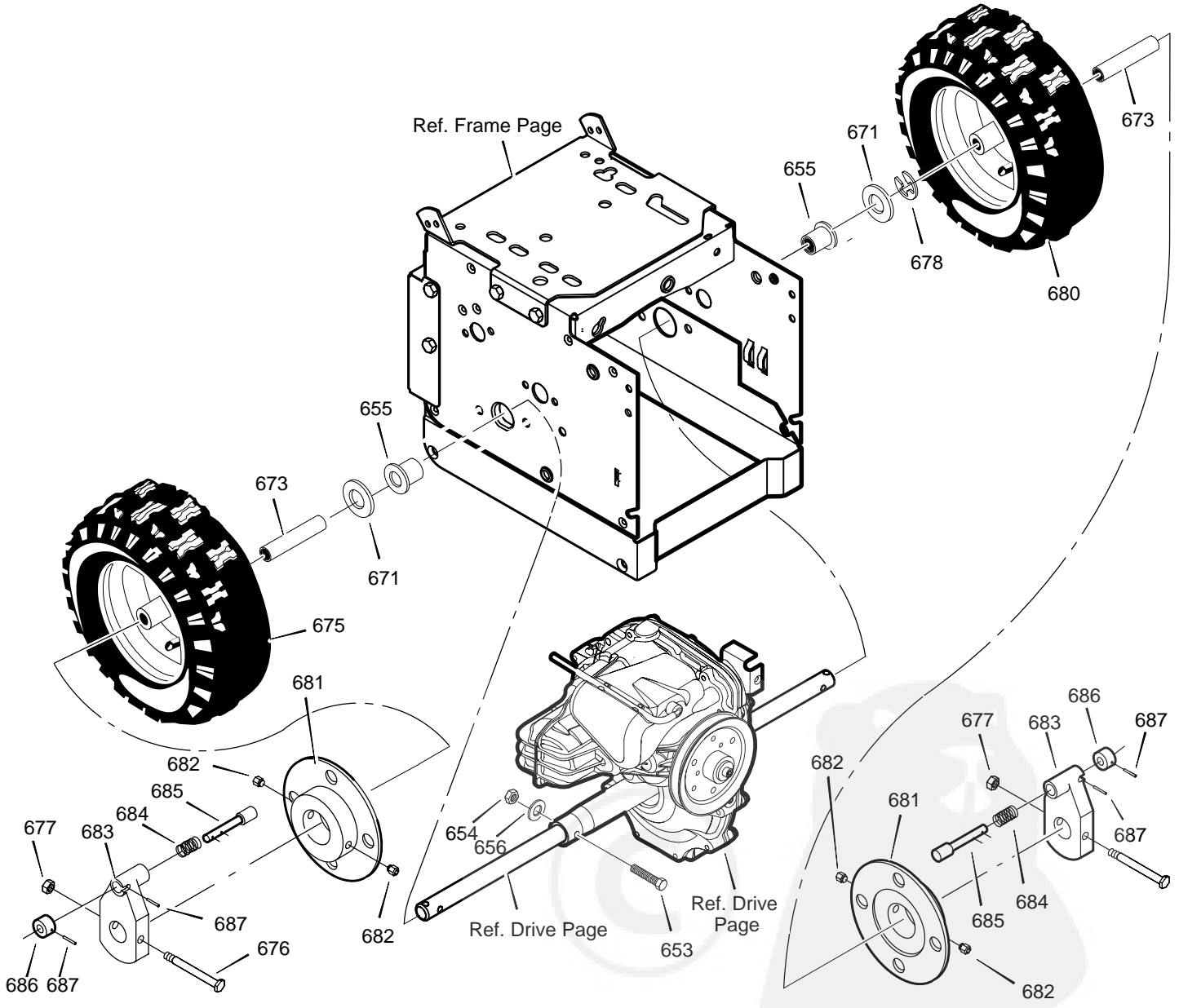


Key No.	Part No.	Description
965	318468	SPRING, RETURN
967	310088	BOLT, 5/16-18
968	73787	WASHER, FLAT
969	302635	NUT, 1/4-20
970	313676	SCREW, 5/16-18 X .75
971	306447 YZ	BRACKET, CABLE
972	71391	NUT, 5/16-18

Key No.	Part No.	Description
973	95105	TRIM
974	760113	TIE, CABLE
975	1501393	CABLE, CONTROL
981	780220	WIRE FORM
990	760858	SCREW, 1/4-20 X 0.38
994	71045	NUT, 3/8-16 HEX JAM
995	304728	HANDLE, 3/8-16 MOLDED

MODEL 629909x54A

REPAIR PARTS WHEELS



Key No.	Part No.	Description
653	01x193	SCREW, 1/4-20X1.75
654	15x145	NUT, 1/4-20 HEX NYLOCK
655	1501114	BEARING, AXLE
656	17x184	WASHER
671	712120	FLATWASHER
673	1501138	BUSHING, WHEEL, RIGHT
675	580362	TIRE & RIM, RIGHT
676	73839	SCREW, 1/4-20X2.25
677	15x145	NUT, 1/4-20 HEX NYLOCK

Key No.	Part No.	Description
678	239	RING, RET
680	580362	TIRE & RIM, LEFT
681	1501032	DISC, WHEEL
682	2001066	SCREW
683	1501031	HUB, WHEEL LOCK
684	164X34	SPRING, COMPRESSION
685	1501033 YZ	PIN, LOCK
686	1501034	KNOB
687	032X79	PIN