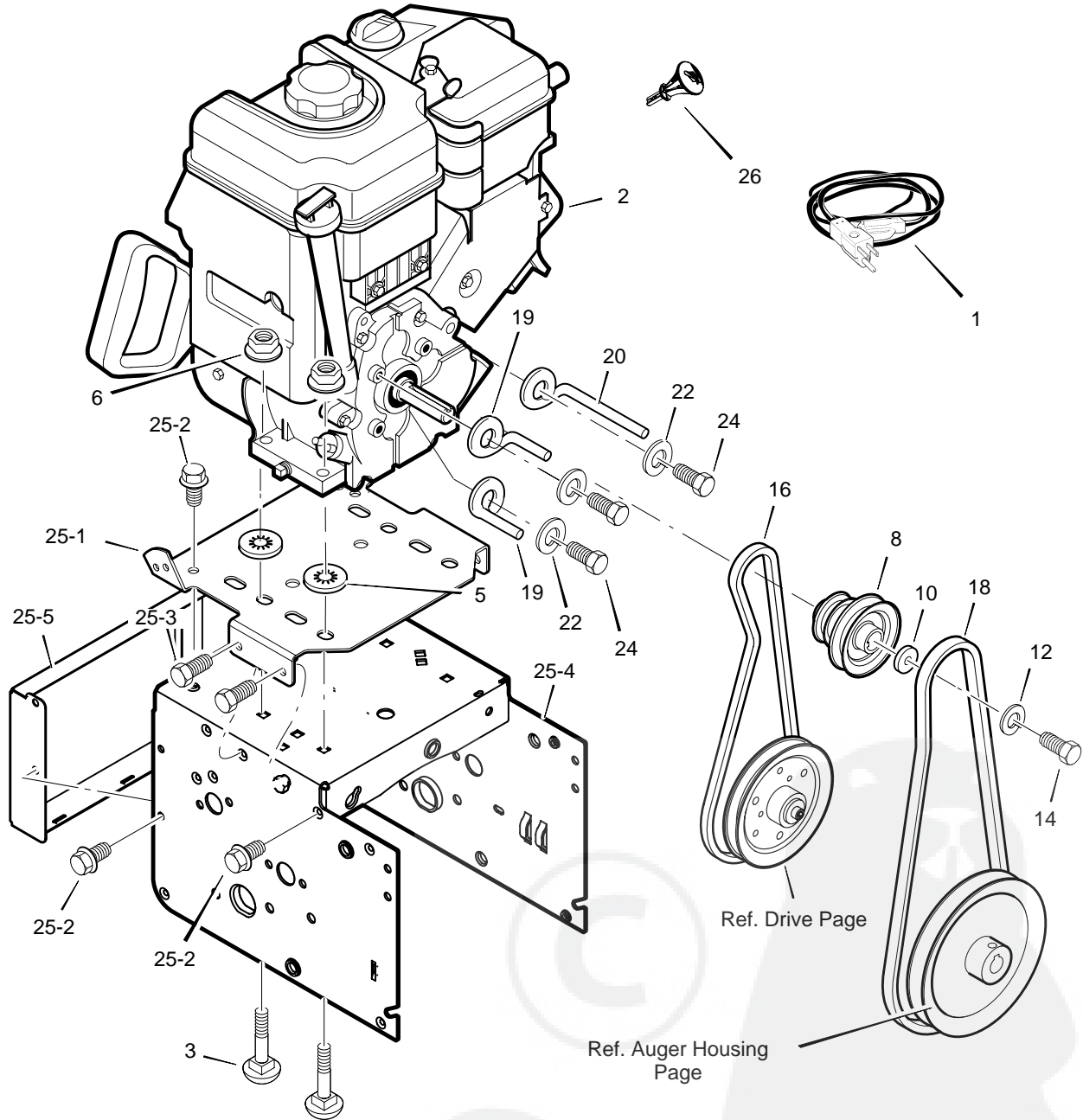
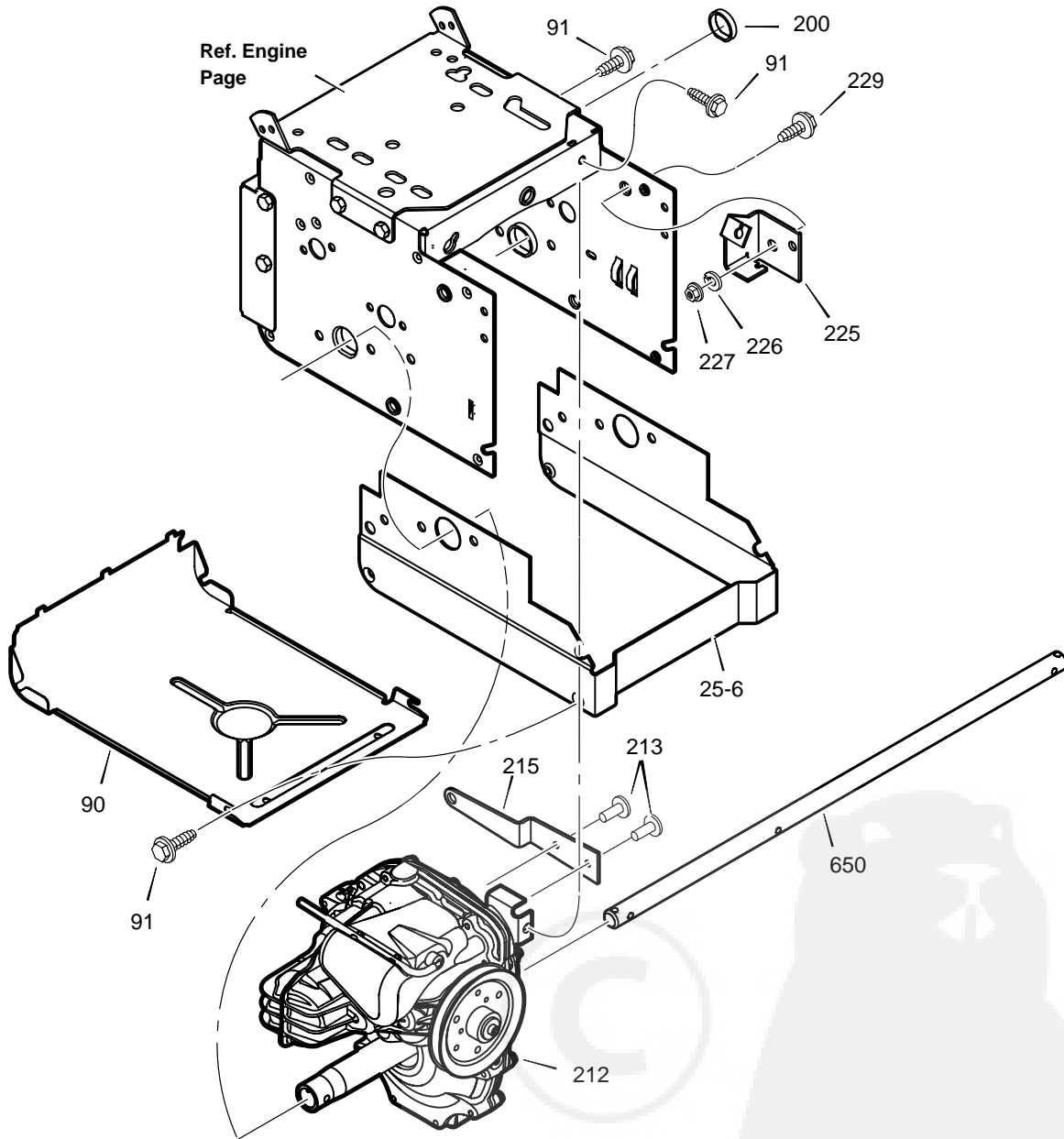


MODEL 629909x54B

REPAIR PARTS ENGINE

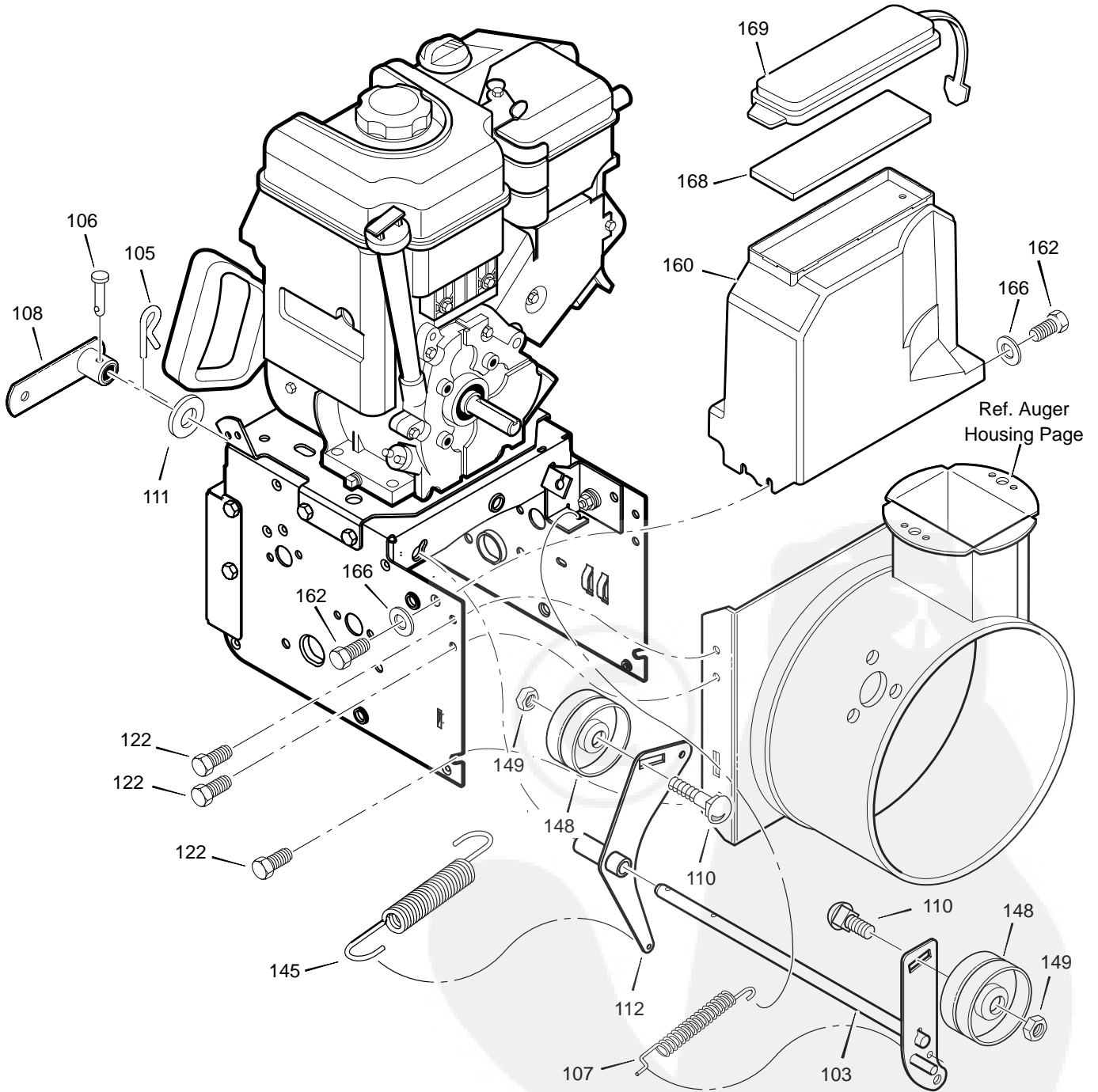


Key No.	Part No.	Description	Key No.	Part No.	Description
1	761332	CORD, STARTER	20	1501201	GUIDE, BELT
2	-----	ENGINE	22	71060	WASHER, SPTLK .31X.58X.08
3	002x97	BOLT, CARRIAGE 5/16-18	24	710097	SCREW, 5/16-24X 0.75
5	028x76	RETAINER, PUSH	25	-----	FRAME ASSEMBLY
6	710026	NUT, HEX 5/16-18	25-1	1501062E245	PLATE, ENGINE MOUNT
8	1501109	PULLEY, ENGINE	25-2	310169	SCREW, TAP 1/4-20 X .63
10	710247	WASHER	25-3	25x020	SCREW, TAP 5/16-18 X .50
12	71063	WASHER .38ID	25-4	1501295E245	FRAME, MOTOR BOX
14	71015	SCREW, 3/8-24X1.00	25-5	1501333E245	PANEL, BACK - HYDRO
16	37x127	BELT, HYDRO DRIVE	26	1501214	KEY, ENGINE
18	585416	BELT, AUGER V 4L	--	F-031074L	OWNER'S MANUAL
19	1501368	GUIDE, BELT			



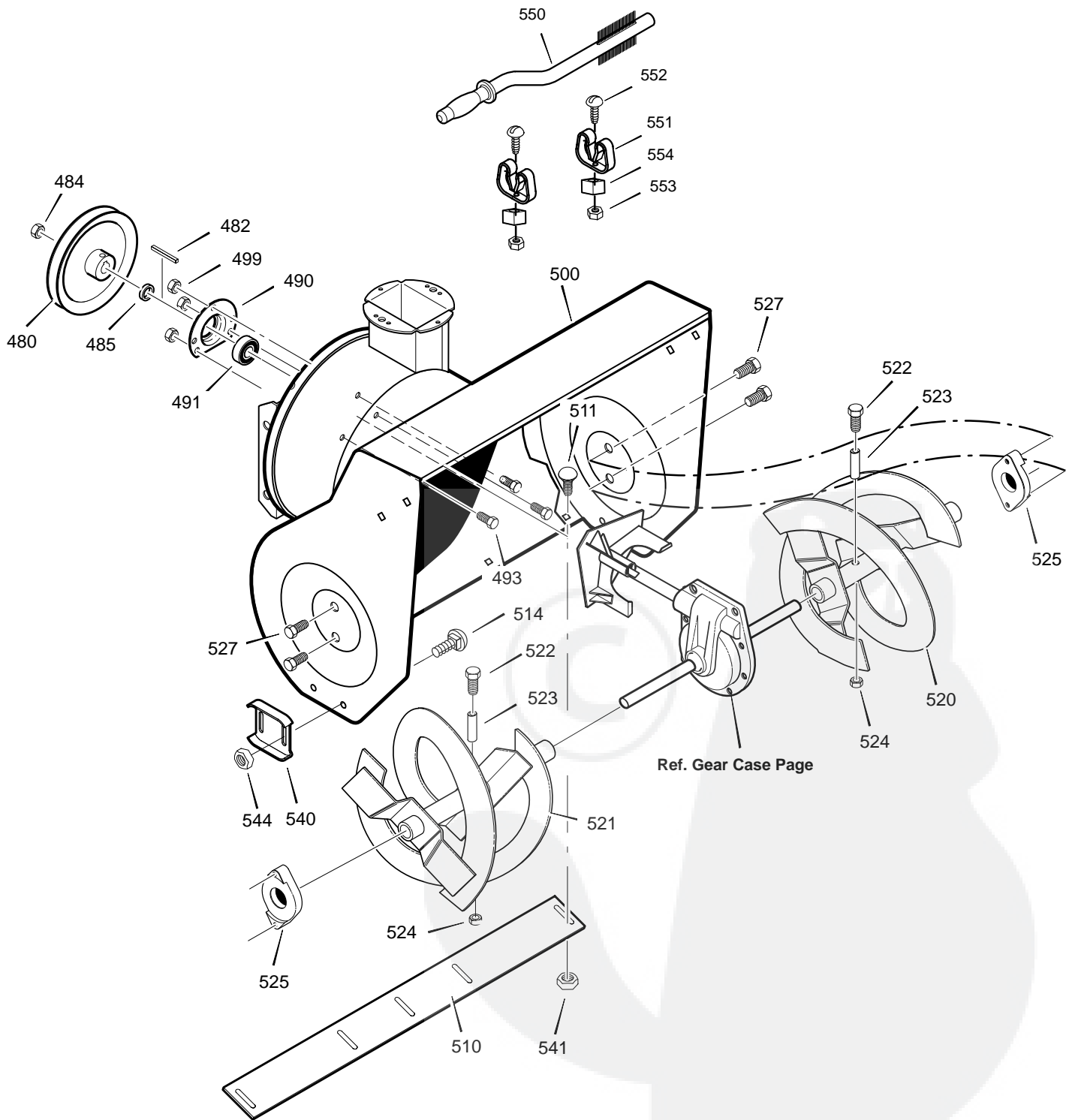
Key No.	Part No.	Description
90	1501311E717	COVER, BOTTOM
91	310169	SCREW, 1/4-20 X 0.62
25-6	1501334E245	FRAME, EXTENSION - HYDRO
200	1501496	PLUG, HEYCO
212	*	TRANSMISSION, HYDRO (314-0410) *
213	021X11	RIVET, BLIND
215	1501366	ARM, CONTROL EXTENSION
225	1501361	BRACKET, DRIVE CABLE
226	71063	WASHER
227	71045	NUT, HEX JAM - 3/8-16
229	025X19	SCREW
650	1501566	AXLE, WHEEL

* For service on the HYDRO-GEAR Transmission, model number 1501353:
CONTACT: Your local HYDRO-GEAR Authorized service dealer.



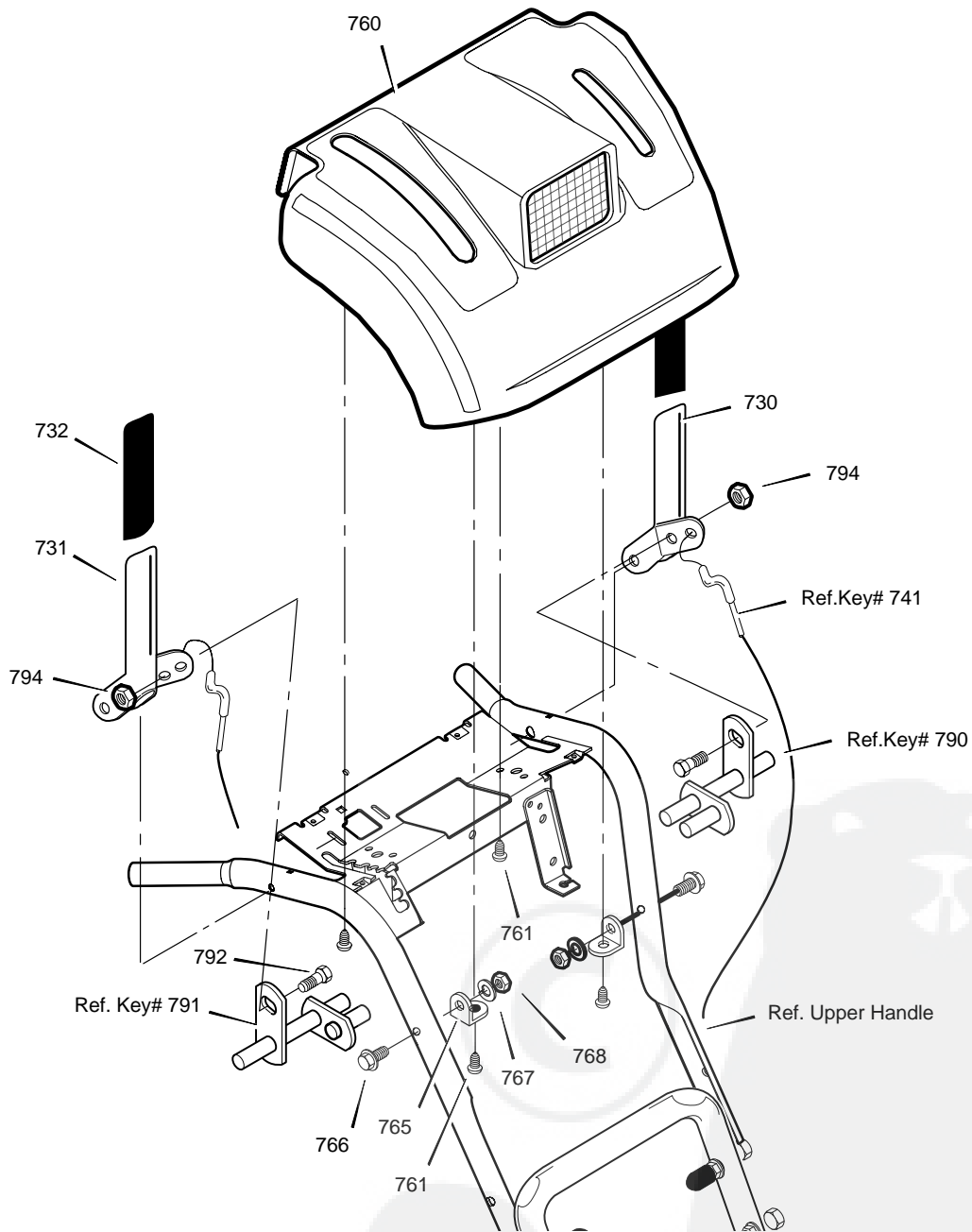
Key No.	Part No.	Description
103	1501369 YZ	IDLER ASSEMBLY, AUGER
105	711682	PIN, HAIR .38DIAx1.64LG
106	761761	PIN, CLEVIS 3/16" DIA
107	165x159	SPRING, TENSION
108	761675 YZ	ASSY., SPRING ATTACH
110	585781	BOLT, 3/8-16X1.25 CARR.
111	711617	WASHER, FLAT
112	1501370 YZ	BRACKET, IDLER
122	780055	SCREW, TAP 5/16-18 X .50
145	165x155	SPRING, CLUTCH
148	50793	PULLEY, IDLER
149	590	NUT, JAM 3/8-16
160	1501171	COVER, BELT
162	26X306	SCREW, TAP
167	71067	WASHER, FLAT
168	761187	PAD, FOAM
169	761167	LID, TOOL BOX





Key No.	Part No.	Description
480	583146	PULLEY, 4L 8.40 OD
482	2001022	KEY, SQUARE 3/16 X 3/4
484	15x112	NUT, 1/2-20
485	1501158	SPACER, FRICTION PULLEY
490	582957 YZ	RETAINER, BALL BRNG
491	43846	BEARING, BALL
493	001X92	BOLT, HEX 5/16-18X .50
499	710026	NUT, 5/16-18 HEXWDFLLK
500	1501713E245	HOUSING, ASSY
510	760655E717	BLADE, SCRAPER
511	340720	BOLT, 5/16-18X.75
514	710026	NUT, 5/16-18
520	760597E717	AUGER, ASSY, LH
521	760598E717	AUGER, ASSY, RH
522	9524	SCREW, 1/4-20 X 1.75
523	3943	SPACER, SLEEVE
524	73826	NUT, 1/4-20
525	53757	BEARING, FLANGE
527	70984	SCREW, 5/16-18X .75
540	762379E717	SKID, HEIGHT ADJUST
541	340720	BOLT, 5/16-18 X .75
544	710026	NUT, 5/16-18
550	1501576	BRUSH, CLEANOUT
551	1501672	CLIP, RETAINER
552	06x115	SCREW
553	15x146	NUT
554	578063	BLOCK
- -	1501216	KIT, SHEAR BOLT

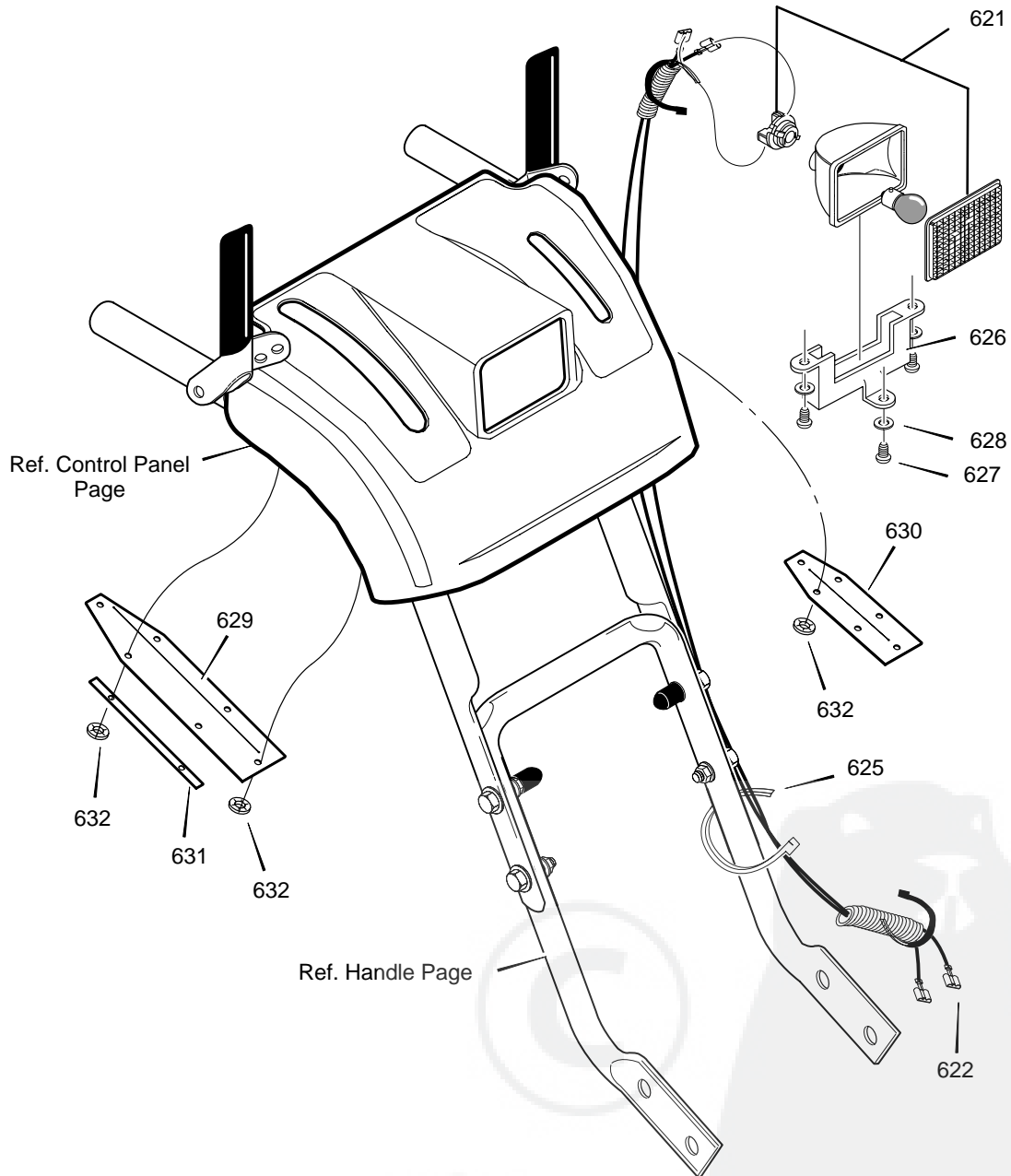
Key No.	Part No.	Description
720	1501381E717	ASSY., HANDLE
723	01x129	BOLT
724	7288	SCREW
725	71072	WASHER
726	71062	WASHER
727	71044	NUT
728	7289	STOP, PLASTIC
739	4049	BUMPER
740	1501363	CABLE, DRIVE
741	1501451	CABLE, AUGER
744	1673	SPRING, AUGER CLUTCH
745	15x145	NUT, HEX - 1/4-20
750	1501449E717	HANDLE, LOWER
751	25x021	SCREW
753	1501465	ASSEMBLY, ROD
759	579860	SPOOL, CABLE
756	308146	BOOT, SPRING
760	71042	NUT, 5/16-24
762	310169	SCREW 1/4-20X0.63
764	1501367 YZ	BRACKET, CONTROL
770	1501375 YZ	BRACKET, SHIFT
771	7288	SCREW
772	50786	SPRING
773	71072	WASHER
774	71046	NUT, HEX, 3/8-16
785	71045	NUT, HEX, 3/8-16
787	304728	KNOB, SHIFT
790	578926E701	ROD, ASSY LH
791	578924E701	ROD, ASSY RH
795	579002 YZ	BRACKET, CAM
796	002x53	SCREW
798	71038	NUT, NYLOCK
799	8417	CAM LOCK
800	584673	PIN, SPRING PIVOT
801	73664	NUT, PUSH ON
802	71081	PIN, COTTER
803	71071	WASHER



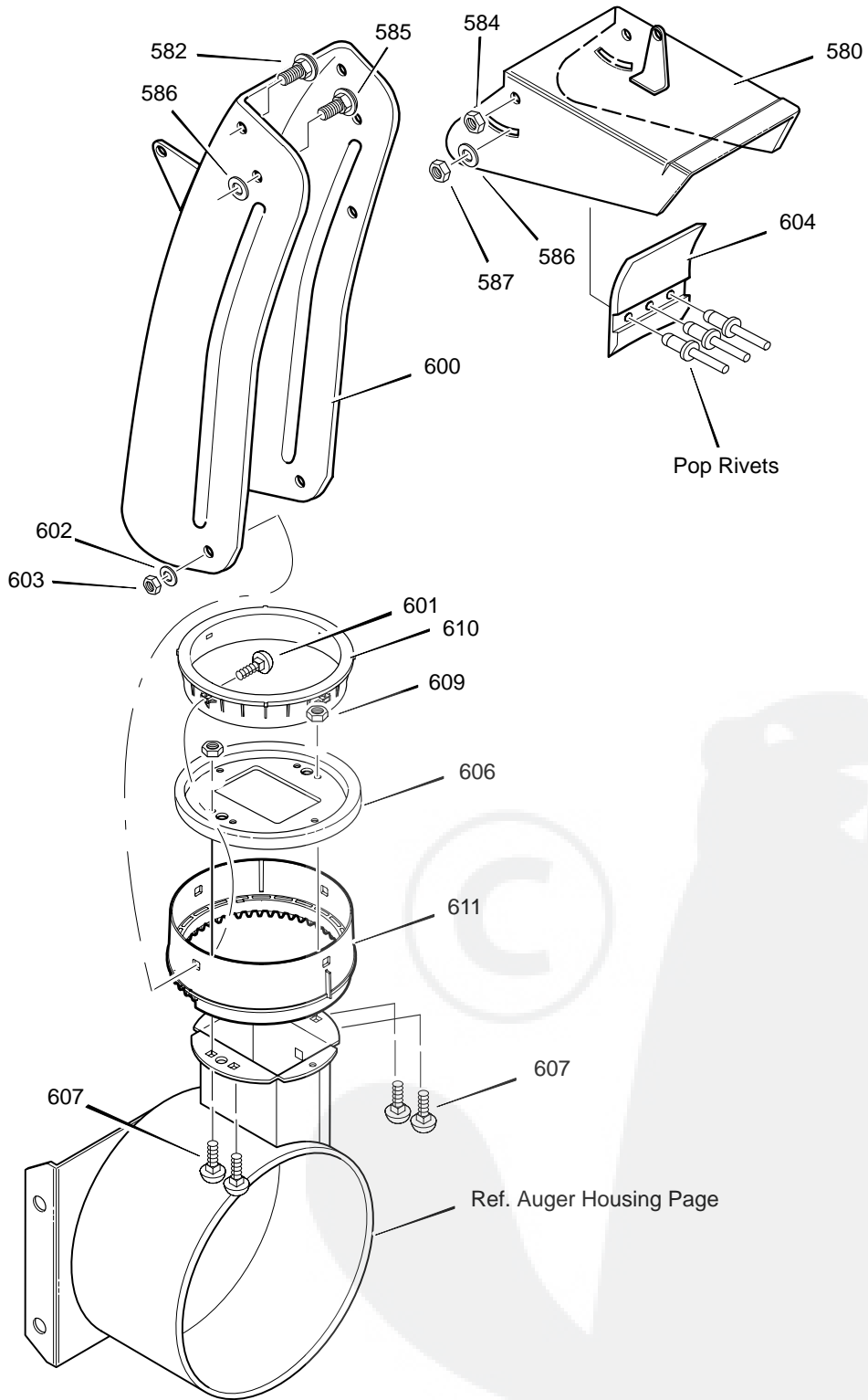
Key No.	Part No.	Description	Key No.	Part No.	Description
730	1501358E701	CLUTCH HANDLE LH	766	302900	SCREW, 5/16-18 X 1.75
731	1501357E701	CLUTCH HANDLE RH	767	71060	WASHER
732	337380	GRIP, CLUTCH LEVER	768	15X144	NUT, 5/16-18
760	1501486	PANEL, CONTROL	792	905531	BOLT, 1/4-20 X 0.50
761	316042	SCREW	794	15X116	NUT, 1/4-20
765	578866E717	BRACKET, PANEL			

MODEL 629909x54B

REPAIR PARTS HEADLIGHT

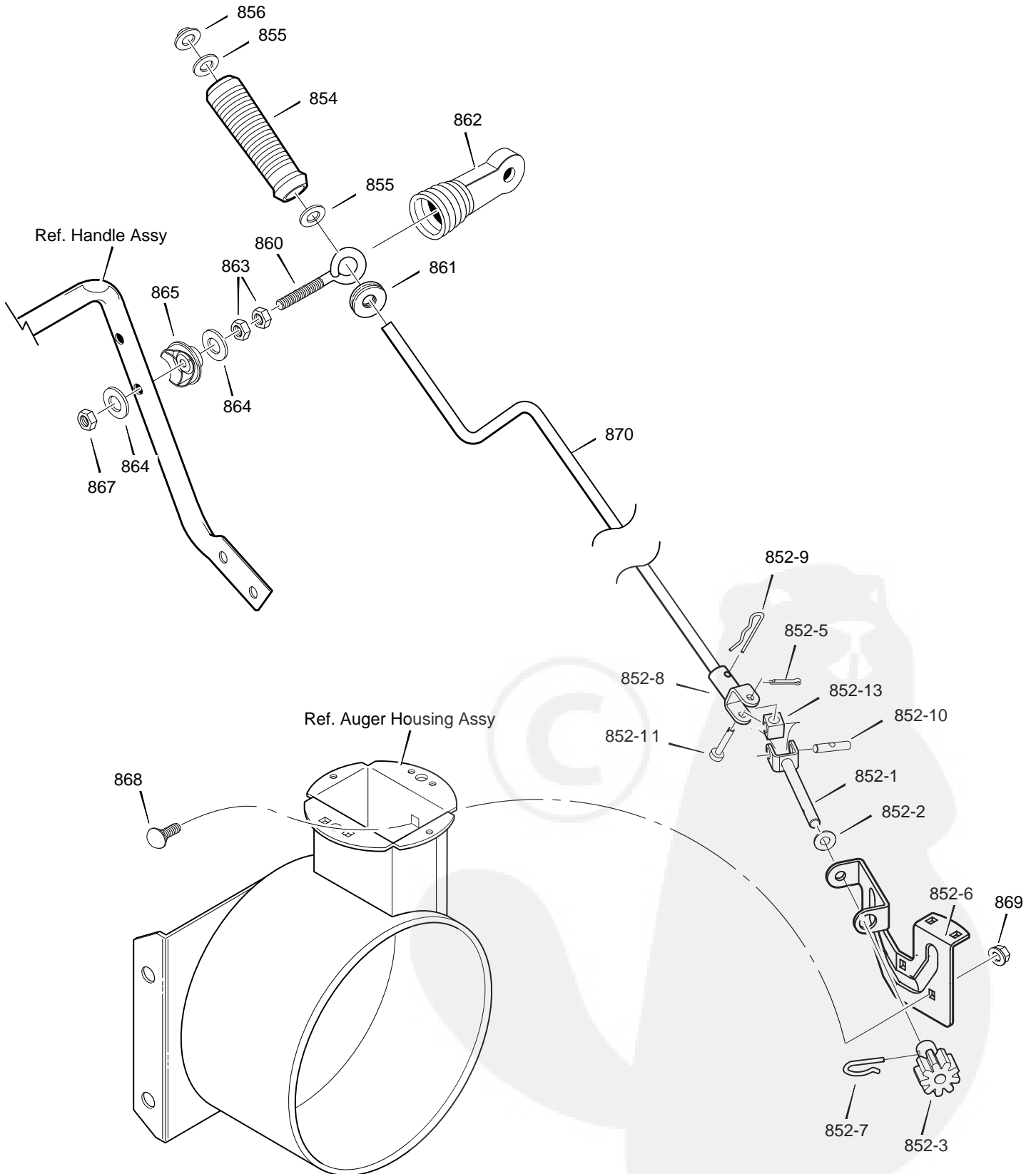


Key No.	Part No.	Description
621	762343	LIGHT, HALOGEN
622	1501455	HARNESS, WIRE
625	071372	TIE, CABLE
626	578921	BRACKET, LIGHT
627	901696	SCREW #8 X .50
628	901736	WASHER, FLAT
629	1501401	COVER
630	1501402	COVER
631	1501330	FRAME
632	028x79	NUT, PUSH



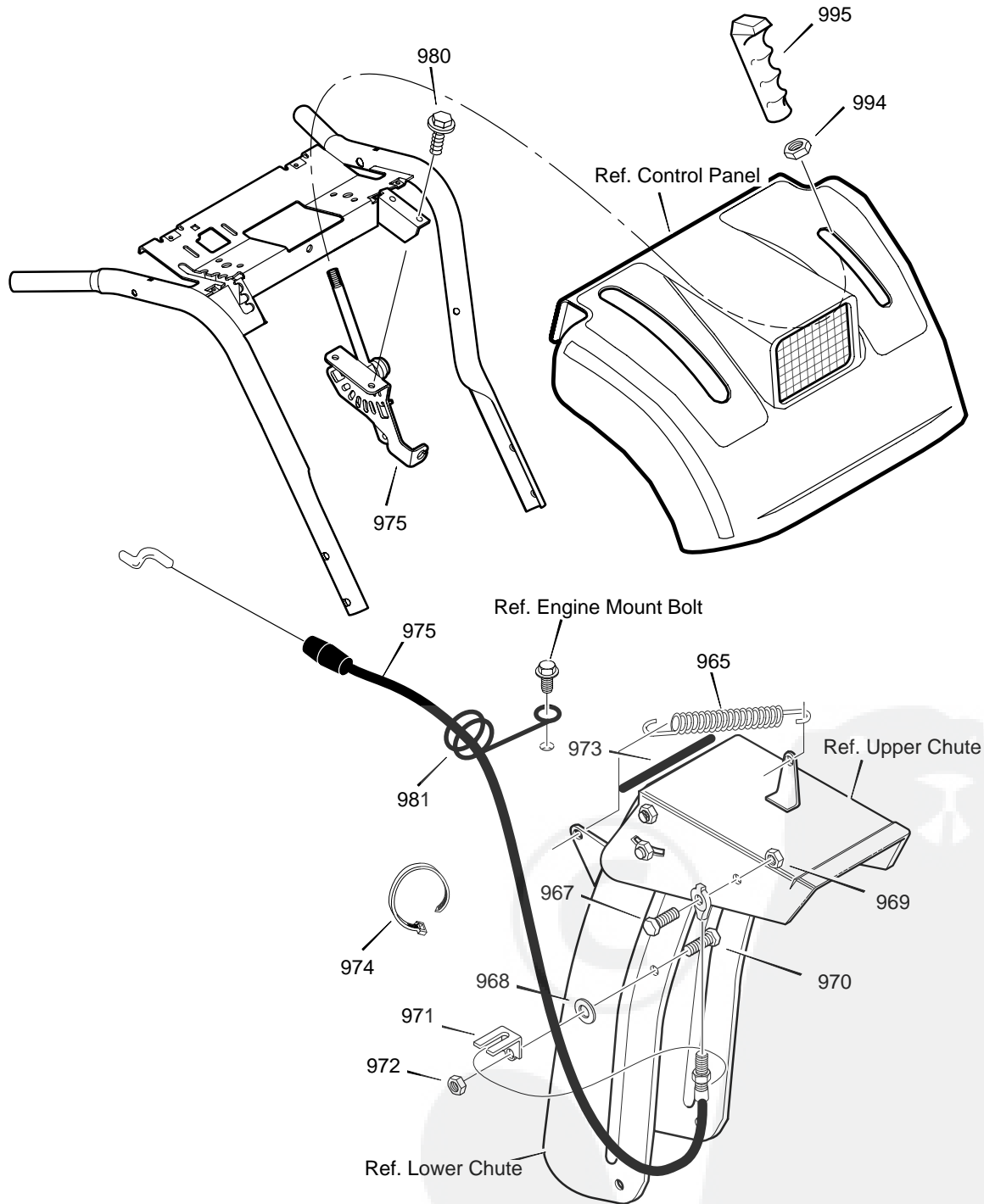
Key No.	Part No.	Description
580	761168E717	CHUTE, UPPER W/REMOTE
582	578088	SCREW, 5/16-18 X.75
584	71038	NUT
585	578088	SCREW, 5/16-18 X.75
586	6711	PLASTIC WASHER
587	71038	NUT
600	761329E717	CHUTE, LOWER W/REMOTE
601	2x100	BOLT
602	71071	WASHER, FLAT
603	71038	NUT
604	762322	FLAP
606	585214 YZ	CHUTE COLLAR
607	02x101	BOLT
609	15x145	NUT
610	337227	RETAINER, RING INNER
611	1501282	RETAINER, RING OUTER





Key No.	Part No.	Description
852-1	1501533 YZ	ASSEMBLY, YOKE & ROD
852-2	164x37	WASHER, CURVED SPRING
852-3	1501067	GEAR, CHUTE ROTATION 9T
852-5	579493	PIN, COTTER
852-6	1501306E717	BRACKET, GEAR MOUNT
852-7	1501293	PIN, HAIR
852-8	1501075 YZ	ASSEMBLY, YOKE ADAPTER YZ
852-9	711682	PIN, HAIR
852-10	578060	PIN, UNIVERSAL JOINT
852-11	578309	PIN, CLEVIS
852-13	578063	HOUSING, UNIVERSAL
854	307399	KNOB, SLEEVE
855	309312	FLATWASHER
856	73664	NUT, PUSH ON 3/8"
860	1501456	EYE BOLT 3/8-16X6.00
861	148	GROMMET, EYE BOLT
862	1501457	BOOT, EYE BOLT
863	71045	NUT, 3/8-16 HEXJAM
864	71072	FLATWASHER .406X.81X.066
865	309344	ADAPTER, BOOT
867	71046	NUT, 3/8-16 HEXNYL
868	002X98	BOLT, CARRIAGE 1/4-20 X 1.00
869	15x145	NUT, 1/4-20
870	1501074 YZ	CRANK, ASSY CHUTE



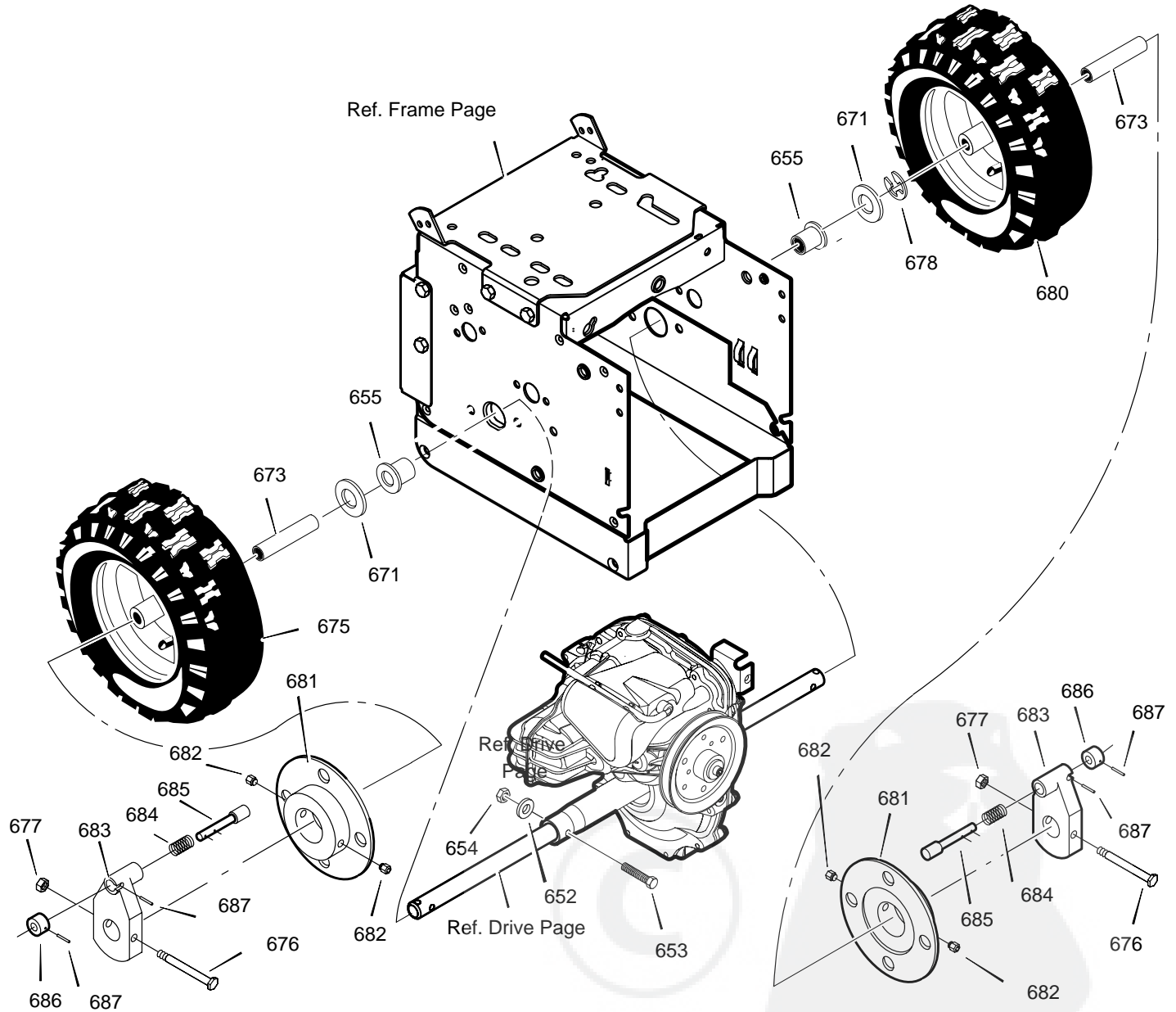


Key No.	Part No.	Description
965	318468	TENSION SPRING
967	310088	BOLT, SHOULDER
968	73787	FLATWASHER
969	15x143	NUT
970	313676	SCREW, 5/16-18 X 0.75
971	306447 YZ	BRACKET, CABLE CHUTE
972	71391	NUT, 5/16-18

Key No.	Part No.	Description
973	95105	TRIM STRIP, BLACK
974	071372	TIE, CABLE
975	1501393	CABLE, CHUTE DEFLECTOR
980	313676	SCREW
981	780220	WIRE FORM, CHUTE CABLE
994	71045	NUT, 3/8-16
995	304728	KNOB, SHIFT

MODEL 629909x54B

REPAIR PARTS WHEELS

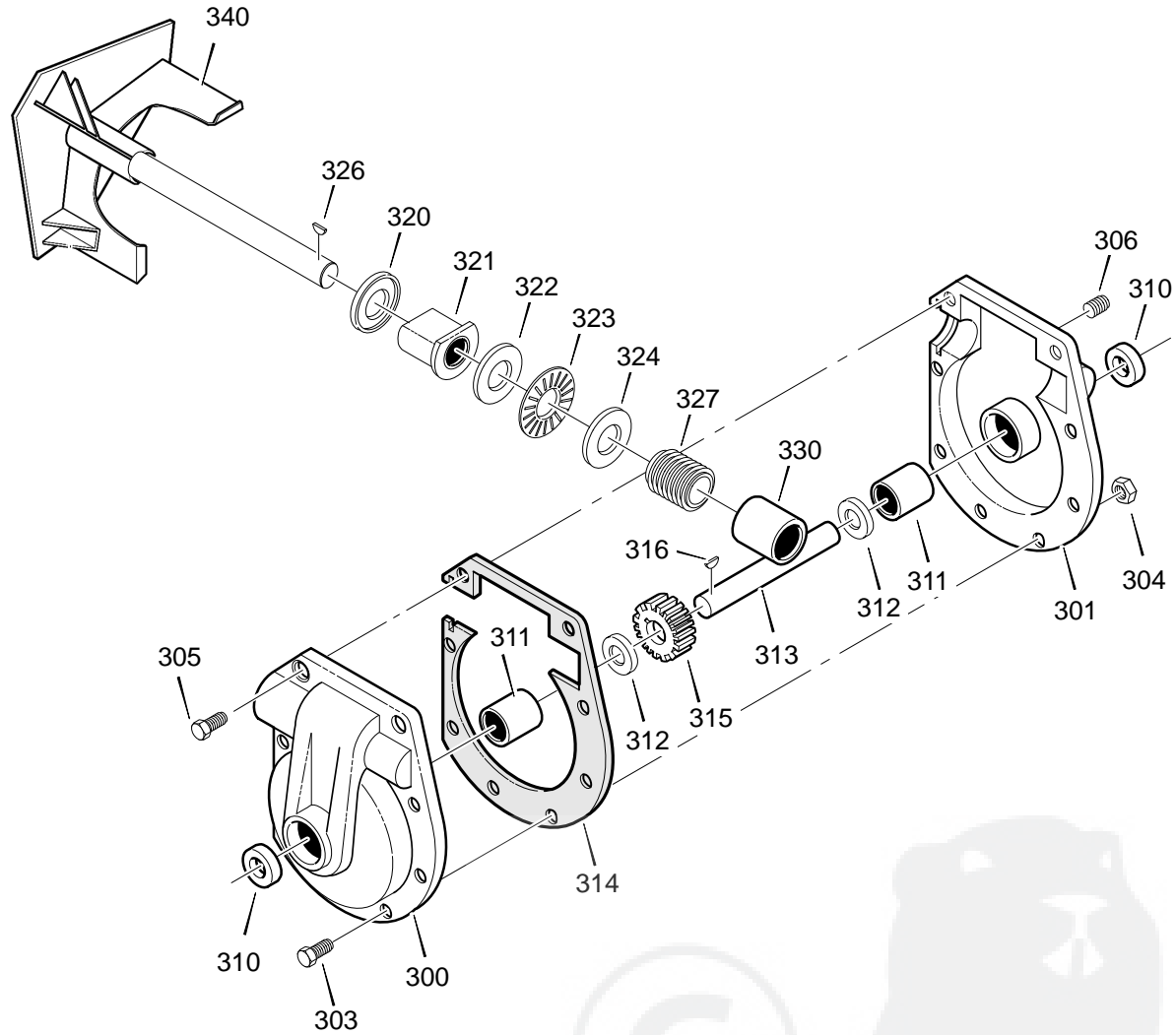


Key No.	Part No.	Description
653	01x193	SCREW, 1/4-20X1.75
654	15x145	NUT, 1/4-20
655	1501114	BEARING, AXLE
671	712120	FLATWASHER
673	1501138	BUSHING, WHEEL
675	1501479	TIRE & RIM, RIGHT
676	73839	SCREW, 1/4-20X2.25
677	15x145	NUT, 1/4-20
678	239	RING, RET

Key No.	Part No.	Description
680	1501479	TIRE & RIM, LEFT
681	1501032E701	DISC, WHEEL
682	2001066	SCREW
683	1501644	HUB, WHEEL LOCK
684	164X34	SPRING
685	1501033 YZ	PIN, LOCK
686	1501034	KNOB
687	32X79	PIN

MODEL 629909x54B

REPAIR PARTS GEAR CASE



Key No.	Part No.	Description	Key No.	Part No.	Description
300	896	CASE, GEAR, RH	316	73905	KEY, WOODRUFF #91
301	895	CASE, GEAR, LH	320	53737	RING, QUAD 0.924 ID
303	910828	SCREW, 5/16-24 x 1.00	321	583126	BEARING, FLANGE
304	71100	NUT, 5/16-24	322	48275	WASHER, FLAT
305	330434	SCREW, 5/16-24 x 1.50	323	50684	BEARING, ROLLER
306	53749	PLUG, PIPE 0.25-18	324	48275	WASHER, FLAT
310	780151	SEAL, OIL	326	50795	KEY
311	53743	BEARING, SLEEVE	327	53732	WORM
312	53748	WASHER, FLAT	330	53731	BEARING, SLEEVE
313	760528	SHAFT, AUGER OUTPUT	340	1501147E717	IMPELLER
314	897	GASKET, GEAR BOX	--	333431	10oz TUBE LUBRIPLATE
315	53730	WORM GEAR			