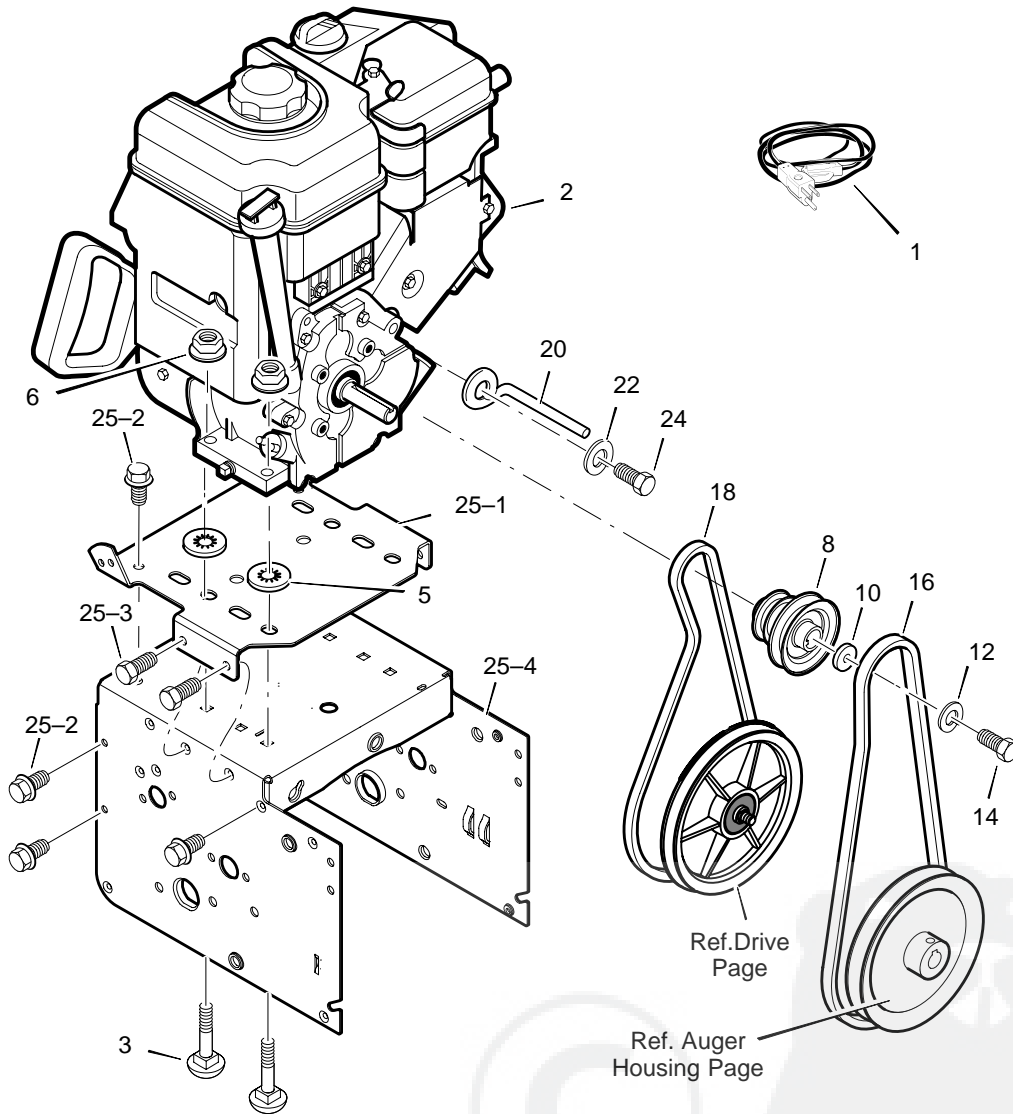


MODEL 633134x54A

REPAIR PARTS ENGINE

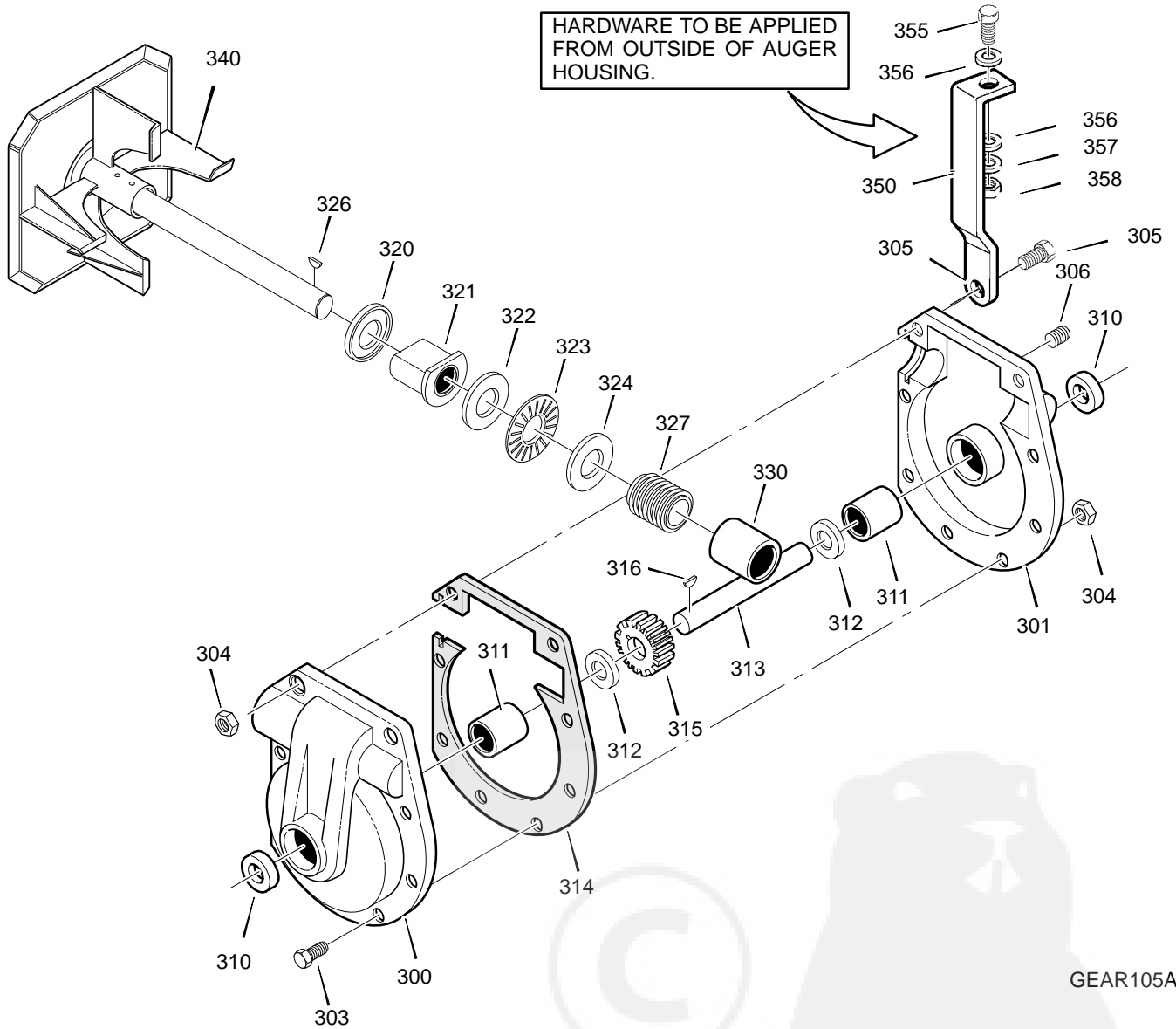


ENG104A

Key No.	Part No.	Description
1	761332	CORD, STARTER
2	-----	ENGINE
--	1501214	KEY, ENGINE
3	002x97	BOLT, CARRIAGE 5/16-18
5	028x76	RETAINER, PUSH
6	710026	NUT, HEX 5/16-18
8	1501109	PULLEY, ENGINE
10	710247	WASHER
12	71063	WASHER .38ID
14	71015	SCREW, 3/8-24X1.00
16	585416	BELT, V 4L 38.1MF16" 5-10
18	579932	BELT, V 3L 33.13LG
20	1501201	GUIDE, BELT
22	71060	WASHER .31X.58X.08
24	710097	SCREW, 5/16-24X .75
25	-----	FRAME ASSEMBLY
25-1	1501062E245	PLATE, ENGINE MOUNT
25-2	310169	SCREW, TAP 1/4-20 X .63
25-3	780055	SCREW, TAP 5/16-18 X .50
25-4	1501049E245	FRAME, MOTOR BOX
—	F-021049L	OWNER'S MANUAL

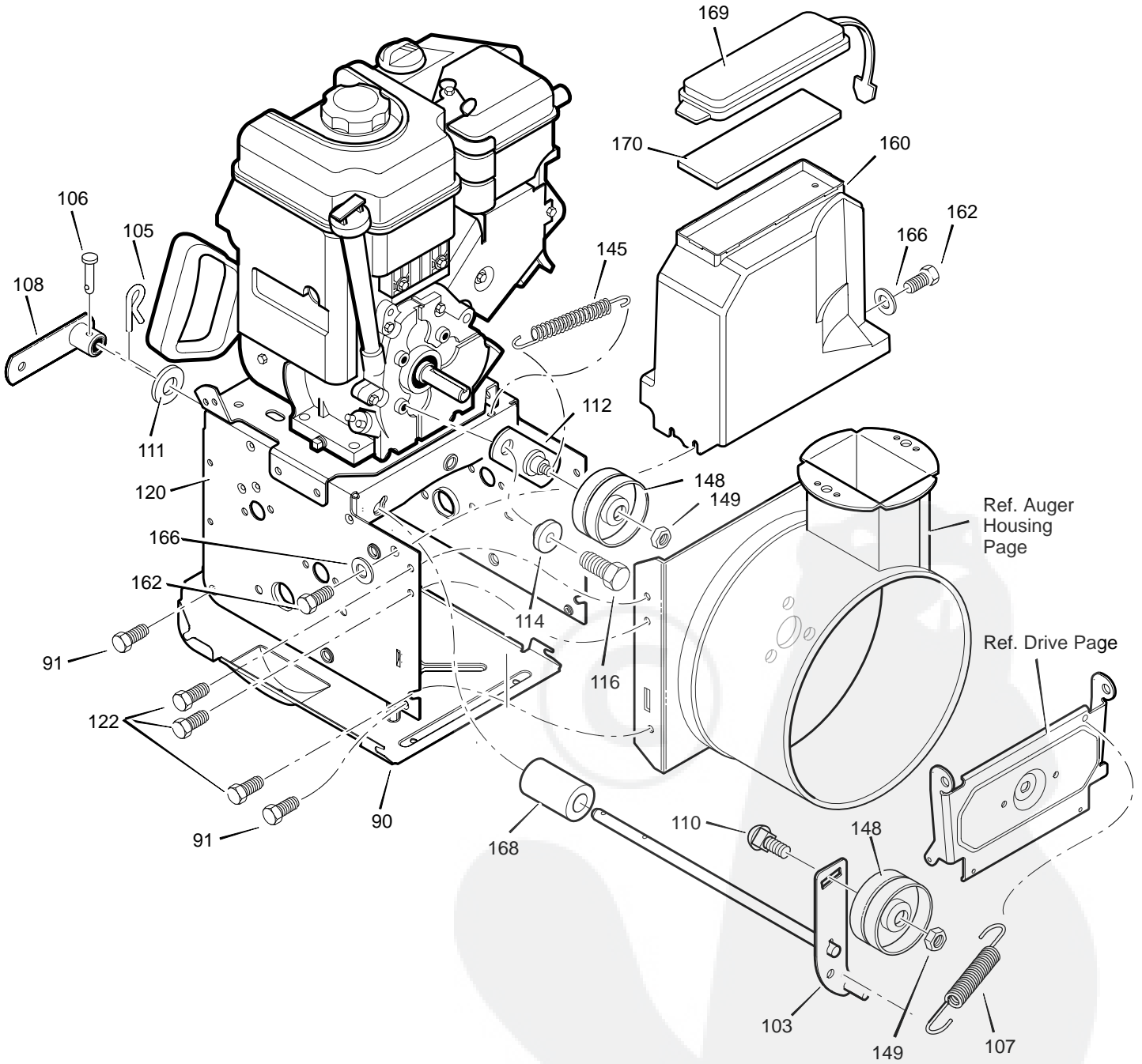
MODEL 633134x54A

REPAIR PARTS GEAR CASE



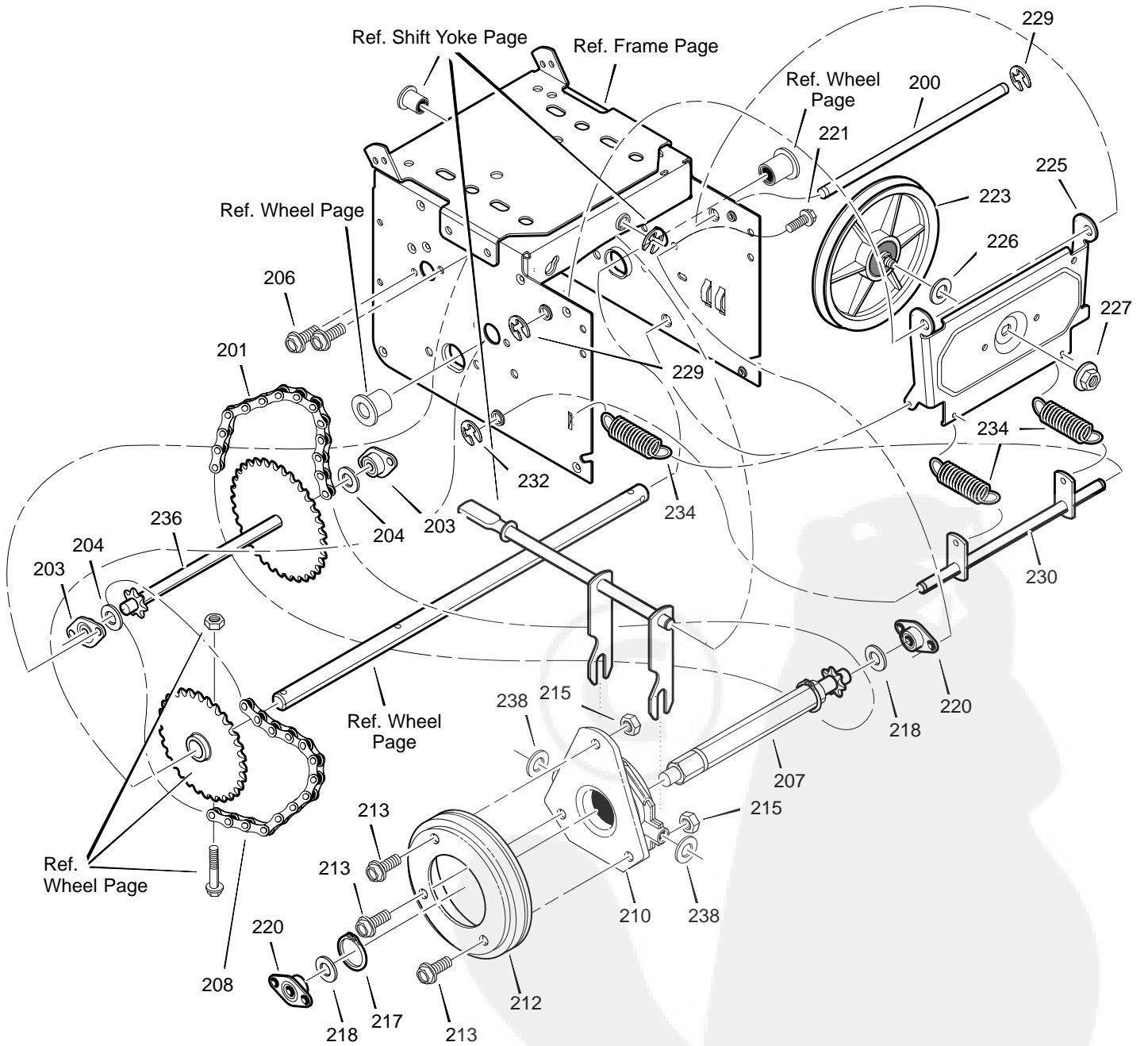
GEAR105A

Key No.	Part No.	Description	Key No.	Part No.	Description
300	896	CASE, GEAR, RH	322	48275	WASHER
301	895	CASE, GEAR, LH	323	50684	BEARING, ROLLER
303	910828	SCREW, 5/16-24 x 1.00	324	48275	WASHER
304	71100	NUT, 5/16-24	326	50795	KEY
305	1441	SCREW, 5/16-24 x 1.75	327	53732	WORM
306	53749	PLUG, PIPE 1/4-18	330	53731	SLEEVE
310	780151	SEAL, OIL	340	1501148E717	IMPELLER
311	53743	BEARING, SLEEVE	350	1442 YZ	LF BRACE, GEAR BOX
312	53748	WASHER, FLAT	352	71100	NUT, 5/16-24
313	760411	SHAFT, AUGER OUTPUT	355	302636	SCREW 5/16-18X1.25
314	897	GASKET, GEAR BOX	356	71071	WASHER
315	53730	GEAR, WORM	357	71060	WASHER
316	73905	KEY, WOODRUFF #61	358	15X144	NUT 5/16-18
320	53737	RING, QUAD.	--	333431	10oz TUBE LUBRIPLATE
321	583126	BEARING, FL			

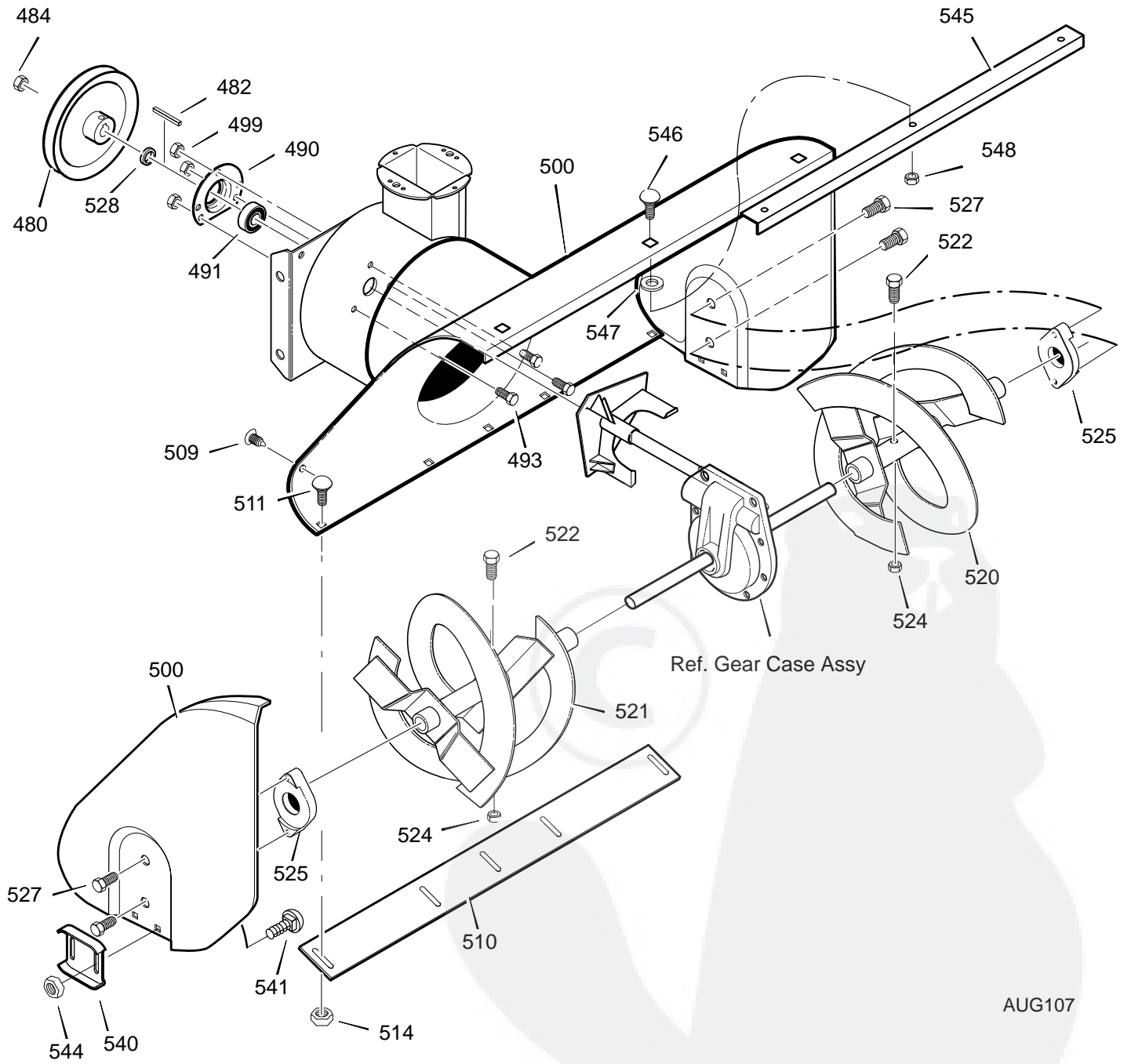


Key No.	Part No.	Description
90	1501055E717	COVER, BOTTOM
91	310169	SCREW
103	1501369 YZ	IDLER, AUGER
105	711682	PIN, HAIR
106	761761	PIN, CLEVIS
107	165x159	SPRING, TENSION
108	761675 YZ	ATTACH, SPRING
110	585781	BOLT, CARR.
111	711617	WASHER, FLAT
112	1501112 YZ	BRACKET, IDLER
114	1501065	BUSHING, IDLER
116	710097	SCREW
118	71060	WASHER, SPLIT
122	780055	SCREW, TAP
145	53704	SPRING, IDLER
148	50793	PULLEY, IDLER
149	590	NUT, JAM
160	1501171	COVER, BELT
162	26X306	SCREW, TAP
166	71067	WASHER, FLAT
168	1501200	SPACER, AUGER
169	761167	LID, TOOL BOX
170	761187	PAD, FOAM





Key No.	Part No.	Description
200	1501107 YZ	LF AXLE, SWING PLATE YZ
201	579851	CHAIN, ROLLER 420x19.00
203	334163	BEARING AND RETAINER, ASSY
204	579858	WASHER
206	780055	SCREW, TAP 5/16-18x0.5
207	1501100	ASSY, HEX SHAFT
208	579868	CHAIN, ROLLER 420x18.00 LG
210	337029	BEARING, TRUNION CLUTCH R
212	1501435	WHEEL, FRICTION DISC
213	001X38	SCREW, 1/4-20 x 0.63
215	303008	NUT, KEPS HEX 1/4-20
217	579859	RING, RETEXT
218	579858	WASHER
220	334163	BEARING AND RETAINER, ASSY
221	780055	SCREW, TAP 5/16-18 x .5
223	1501115	ASSY, FRICTION PULLY
225	1501092 YZ	LF PLATE, SWINGING YZ
226	1501158	SPACER, FRICTION PULLEY
227	15X114	NUT, FLANGE LOCK 3/8-24
229	11X30	RETAINER, RING
230	1501107 YZ	LF ASSY, SPRING LINK YZ
232	11X30	RETAINER, RING
234	165X112	SPRING, EXTENSION
236	1501090	WLD, INTERMED SPROCKET 33T/7
238	71074	WASHER, FLAT

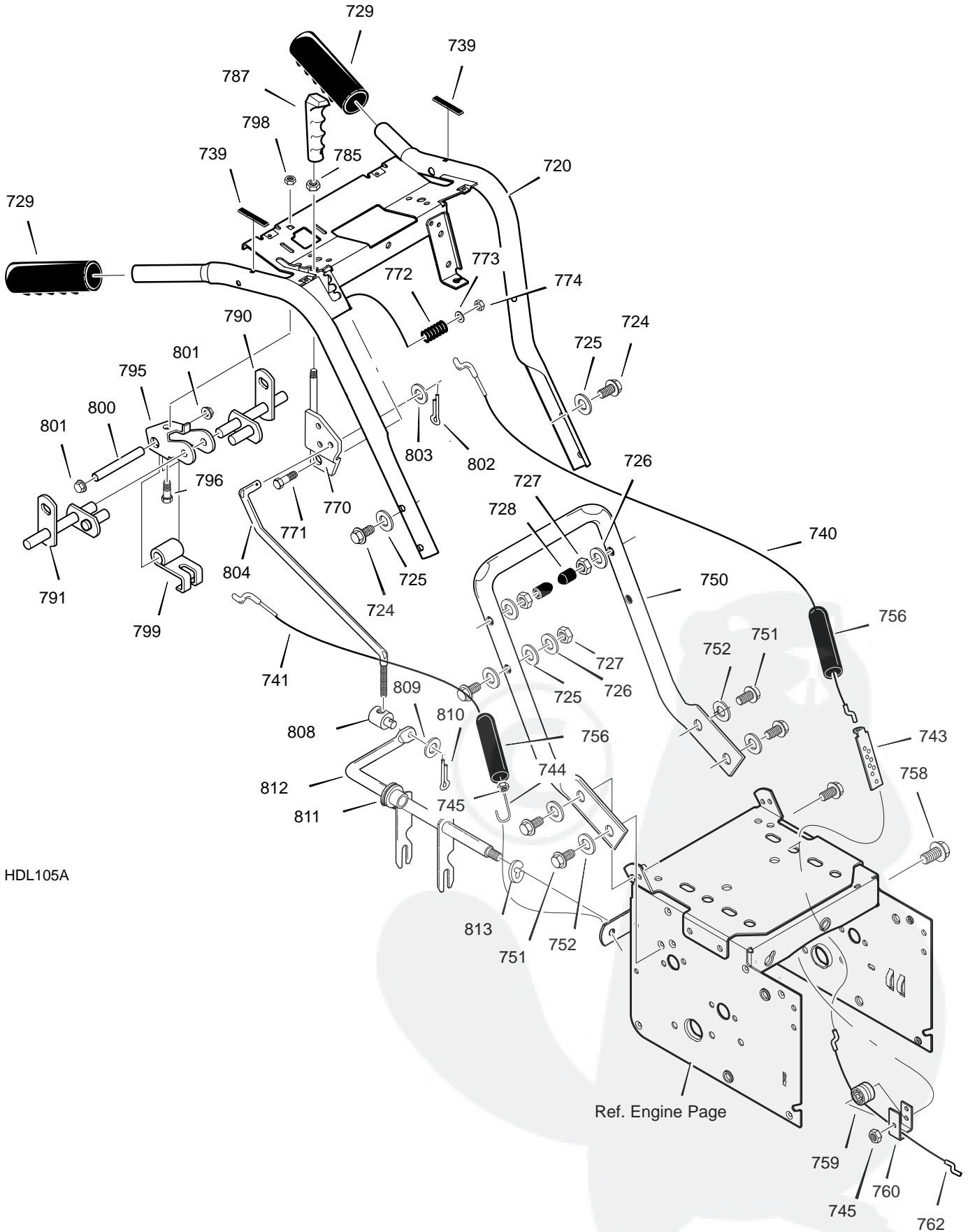


AUG107

Key No.	Part No.	Description
480	583146	PULLEY
482	2001022	KEY, SQUARE
484	15X112	NUT, 1/4-20
485	1501158	SPACER, FRICTION PULLEY
490	582957 YZ	RETAINER, BALL BRNG
491	43846	BEARING, BALL
493	001X92	BOLT, HEX - 0.31-18X0.50
499	710026	NUT, 5/16-18 HEXWDFLLK
500	1501162E245	HOUSING, ASSY
509	760040	PLUG, CHRISTMAS TREE
510	760668E717	BLADE, SCRAPER
511	340720	BOLT, CARRIAGE
514	710026	NUT
520	760317E717	AUGER, ASSY, LH
521	760307E717	AUGER, ASSY, RH
522	578647	BOLT
524	71391	NUT, 5/16-18
525	53757	BEARING, FLANGE
527	70984	SCREW, 5/16-18X .75
536	340720	BOLT
540	762377E717	SKID, HEIGHT ADJUST
541	340720	BOLT, 5/16-18 X .75
544	710026	NUT, 5/16-18 REGHEX
545	760717E245	STIFFENER, AUG. ASG.
546	340720	BOLT, CARR.
547	71071	WASHER
548	710026	NUT

MODEL 633134x54A

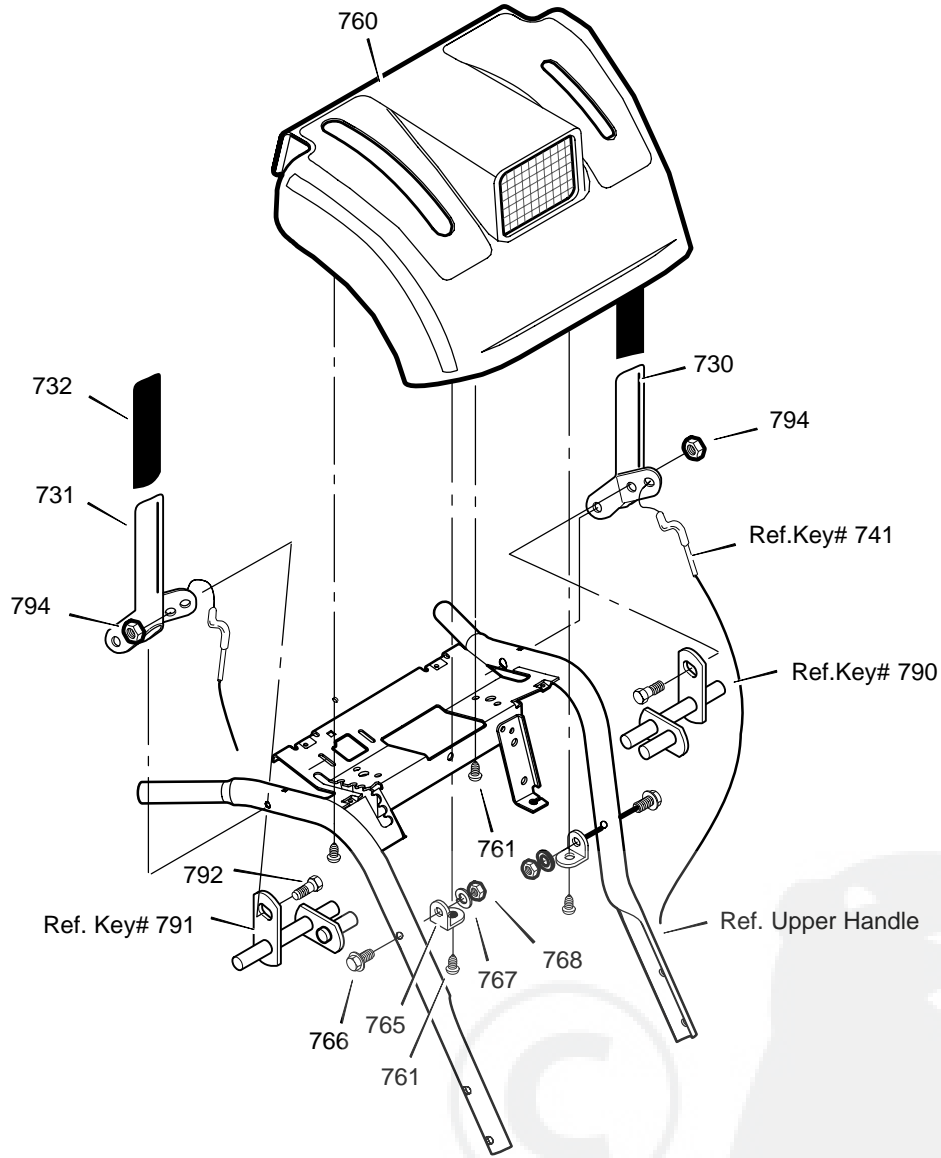
REPAIR PARTS HANDLE ASSEMBLY



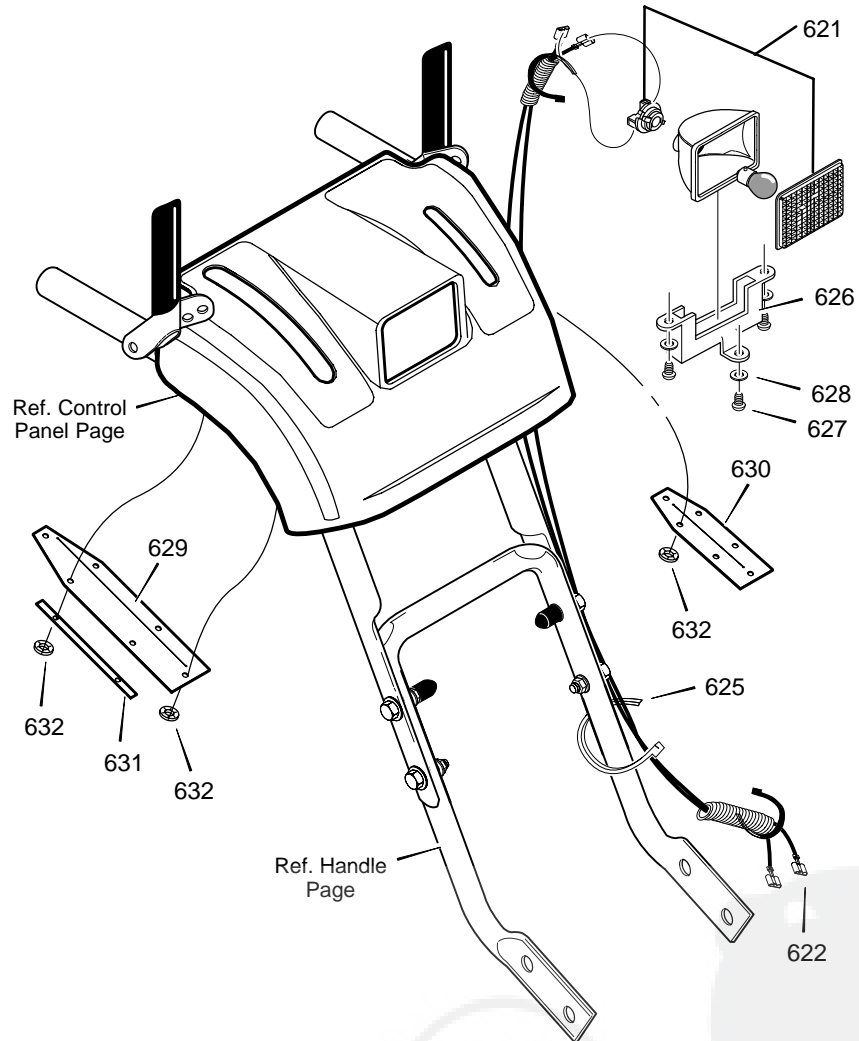
MODEL 633134x54A

REPAIR PARTS HANDLE ASSEMBLY

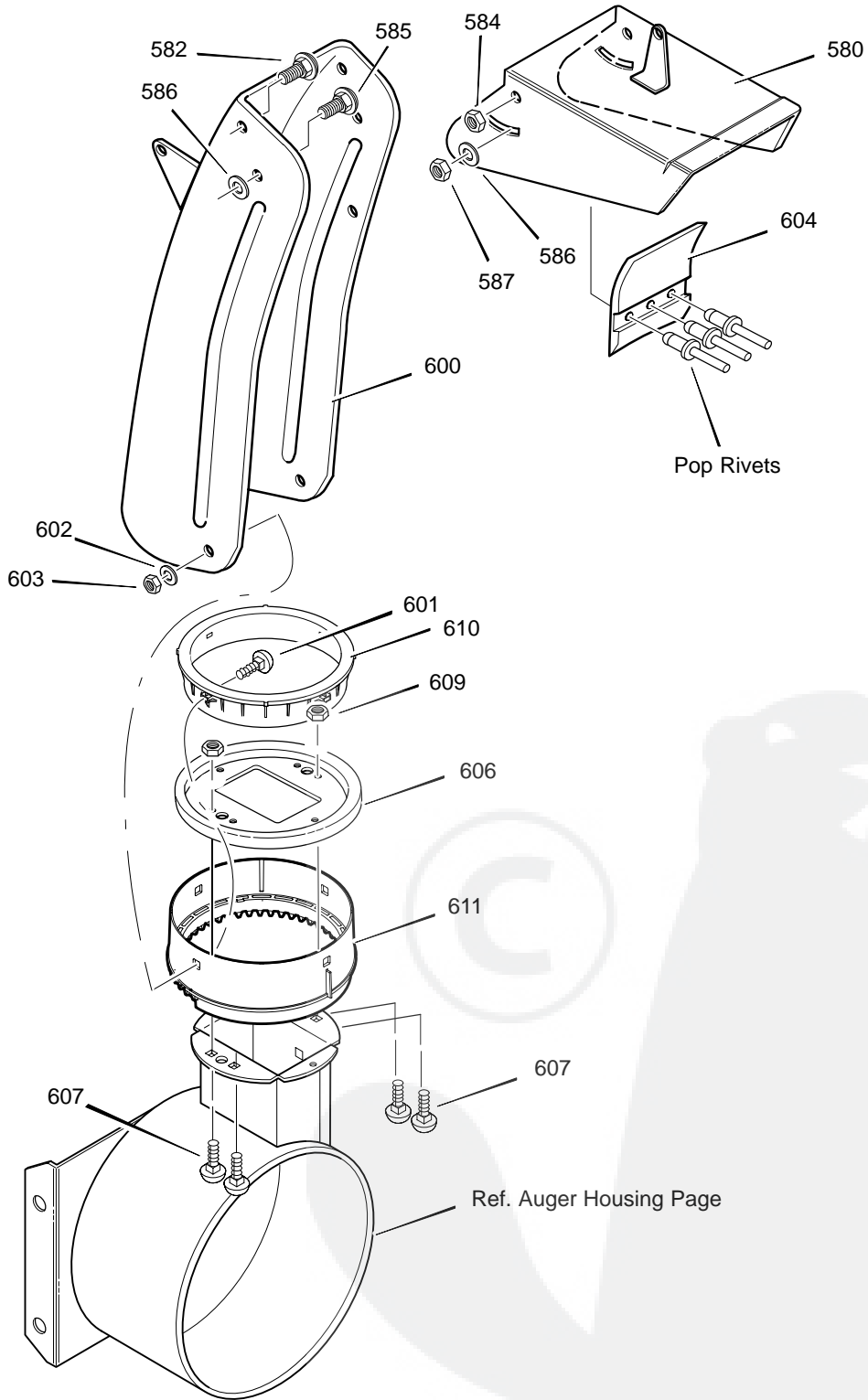
Key No.	Part No.	Description	Key No.	Part No.	Description
720	1501378E717	ASSY, HANDLE	772	50786	SPRING
724	7288	SCREW	773	71072	WASHER, FLAT
725	71072	WASHER, FLAT	774	71046	NUT, HEX
726	71062	WASHER	785	71045	NUT, HEX
727	71044	NUT	787	306689	KNOB, SHIFT
728	7289	STOP, PLASTIC	790	578926	ROD, ASSY LH
729	337399	GRIP, HANDLE	791	578924	ROD, ASSY RH
739	4049	BUMPER	795	579002	BRACKET, CAM
740	1501452	CABLE, CLUTCH	796	002x53	SCREW
741	1501451	CABLE, CLUTCH	798	71038	NUT, NYLOCK
743	313441	BRKT, CABLE ADJ	799	8417	CAM LOCK
744	1673	SPRING, CLUTCH	800	584673	PIN, SPRING PIVOT
745	15x145	NUT, HEX	801	73664	NUT, PUSH ON
750	1501449E717	HANDLE, LOWER	802	71081	PIN, COTTER
751	70984	SCREW	803	71071	FLATWASHER
752	71060	WASHER, SPTLK	804	1501453	ROD, SPEED CTRL
756	308146	BOOT, CABLE	805	71042	NUT
758	001798	BOLT, HEX	808	584593 YZ	NUT, TRUNNION
759	579860	SPOOL, CABLE	809	71071	WASHER
760	1501059 YZ	BRKT, SPOOL	810	71081	PIN, COTTER
762	1501122	CABLE, DRIVE	811	579944	BEARING, FL
770	1501375 YZ	BRACKET, SHIFT	812	1501110 YZ	ROD, YOKE
771	4058	SCREW	813	11X30	RETAINER, RING



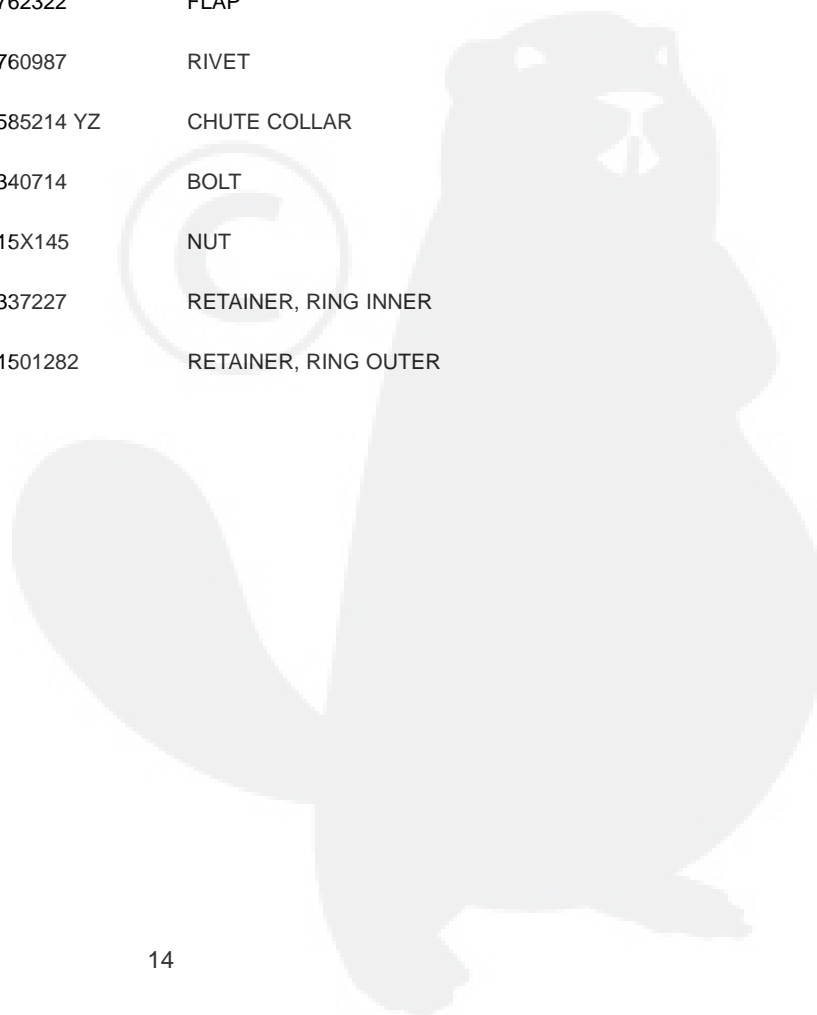
Key No.	Part No.	Description
730	1501358E717	CLUTCH HANDLE LH
731	1501357E717	CLUTCH HANDLE RH
732	337380	GRIP, CLUTCH LEVER
760	1501327	PANEL, CONTROL
761	316042	SCREW, 10 X .62
765	578866E717	BRACKET, PANEL
766	302900	SCREW, 5/16-18 X 1.75
767	71060	WASHER, HVSPTLK
768	15X144	NUT, 5/16-18
792	905531	BOLT, 1/4-20 X .50
794	908913	NUT, 1/4-20

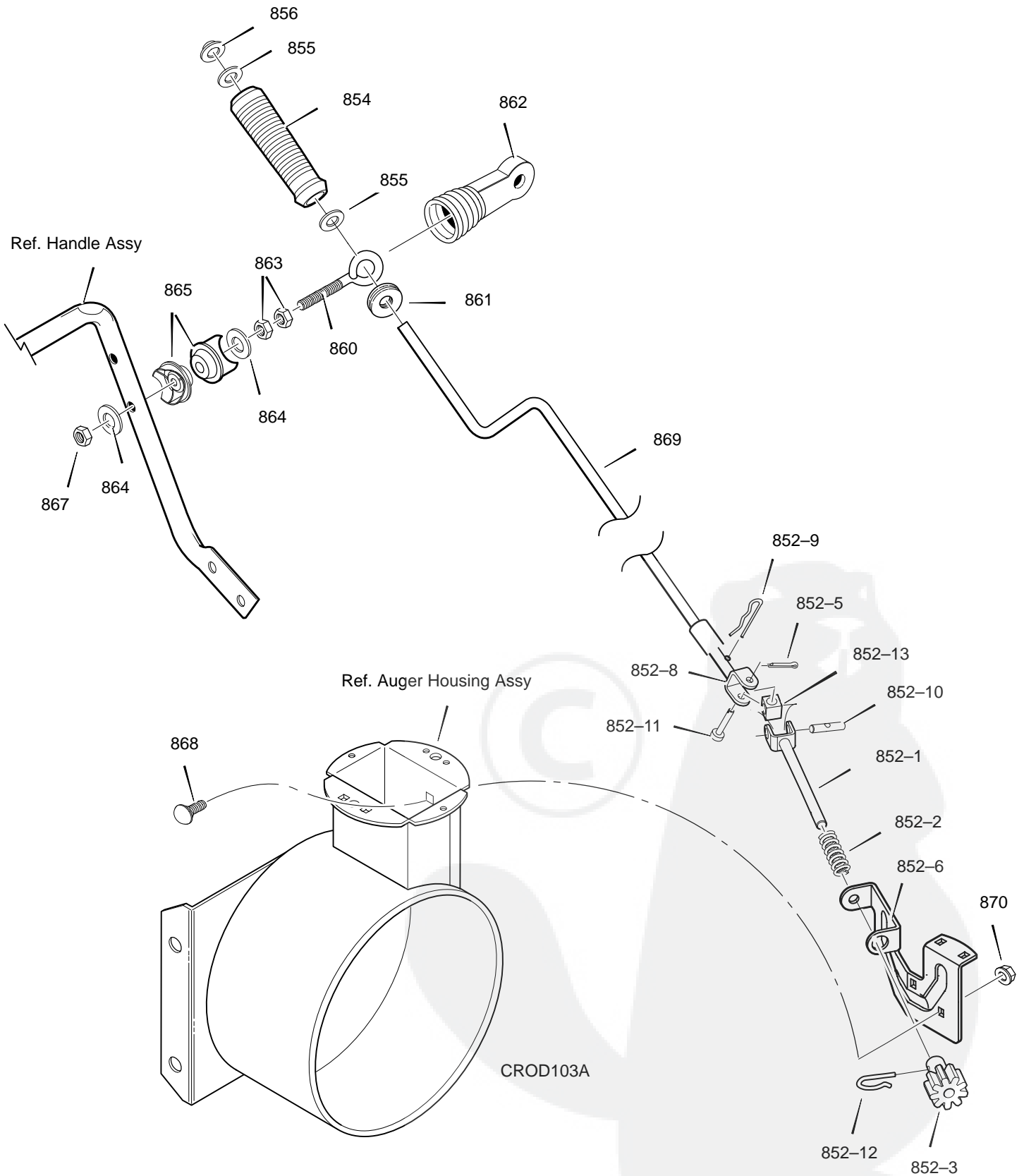


Key No.	Part No.	Description
621	762343	LIGHT
622	1501455	HARNES, WIRE
625	071372	TIE, CABLE
626	578921	BRACKET
627	901696	SCREW #8 X .50
628	901736	WASHER, FLAT
629	1501401	COVER
630	1501402	COVER
631	1501330	FRAME
632	028x79	NUT, PUSH



Key No.	Part No.	Description
580	761168E717	CHUTE, UPPER W/REMOTE
582	578088	SCREW, 5/16-18 X.75
584	71038	NUT
585	578088	SCREW, 5/16-18 X.75
586	6711	PLASTIC WASHER
587	71038	NUT
600	761329E717	CHUTE, LOWER WITH GUARD
601	2x100	BOLT
602	71071	WASHER, FLAT
603	71038	NUT
604	762322	FLAP
605	760987	RIVET
606	585214 YZ	CHUTE COLLAR
607	340714	BOLT
609	15X145	NUT
610	337227	RETAINER, RING INNER
611	1501282	RETAINER, RING OUTER

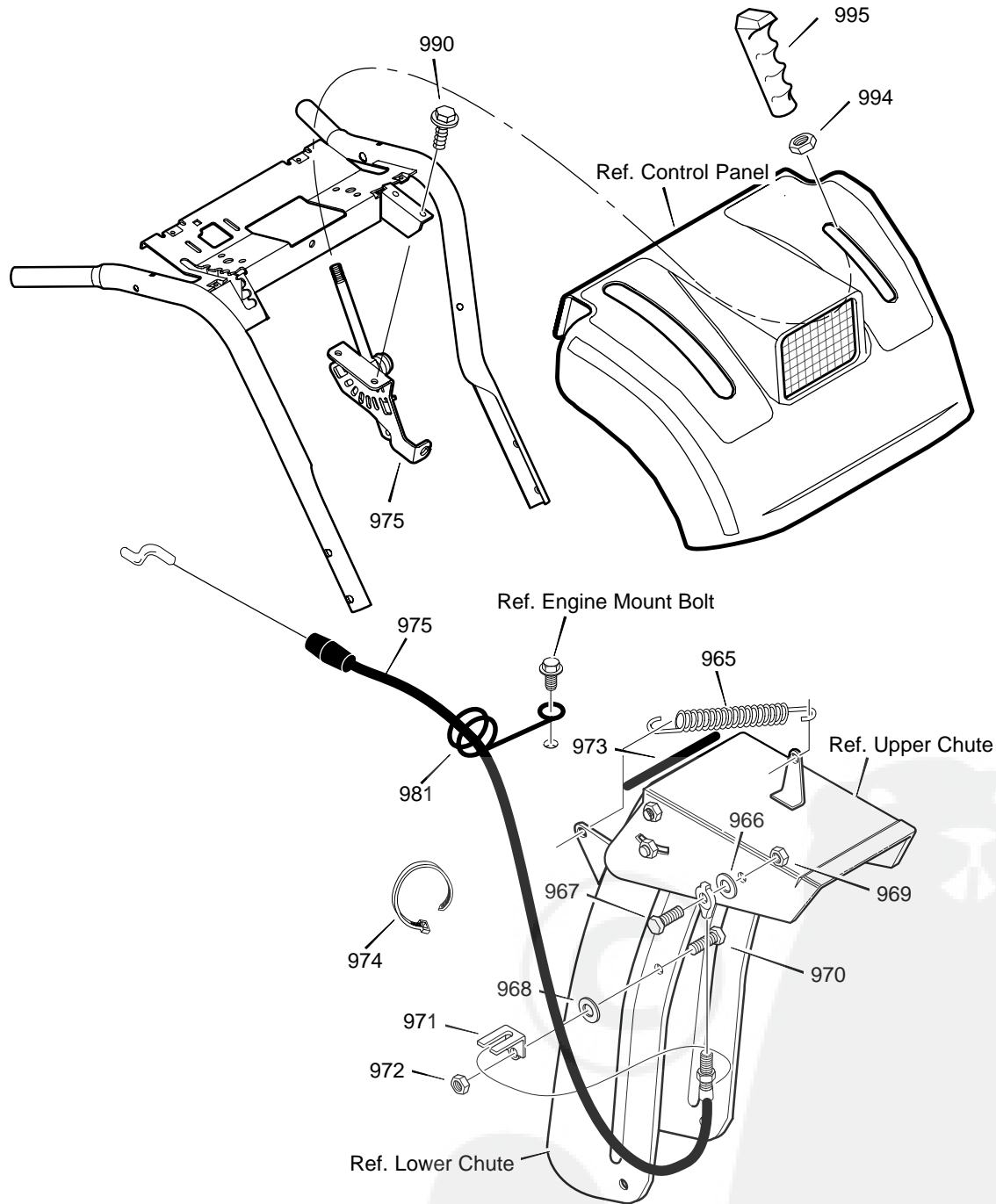




Key No.	Part No.	Description
852-1	1501533 YZ	ASSEMBLY, YOKE & ROD
852-2	164X37	SPRING, COMPRESSION
852-3	1501067	GEAR, CHUTE ROTATION 9T
852-5	579493	PIN, COTTER
852-6	1501306E701	BRACKET, GEAR MOUNT
852-8	1501075 YZ	ASSEMBLY, YOKE ADAPTER YZ
852-9	711682	PIN, HAIR
852-10	578060	PIN, UNIVERSAL JOINT
852-11	578309	PIN, CLEVIS
852-12	1501293	PIN, HAIR
852-13	578063	HOUSING, UNIVERSAL
854	307399	HANDLE
855	309312	FLATWASHER
856	73664	NUT, PUSH ON 3/8"
860	1501456	EYE BOLT 3/8-16X6.50
861	148	GROMMET, EYE BOLT
862	1501457	BOOT, EYE BOLT
863	71045	NUT, 3/8-16 HEXJAM
864	71072	FLATWASHER .406X.81X.066
865	309344	ADAPTER, BOOT (2 REQUIRED)
867	71046	NUT, 3/8-16 HEXNYL
868	002X98	BOLT, CARRIAGE 1/4-20 X 1.00
869	1501074 YZ	CRANK, ASSY CHUTE
870	15x145	NUT, 1/4-20 NYLOCK

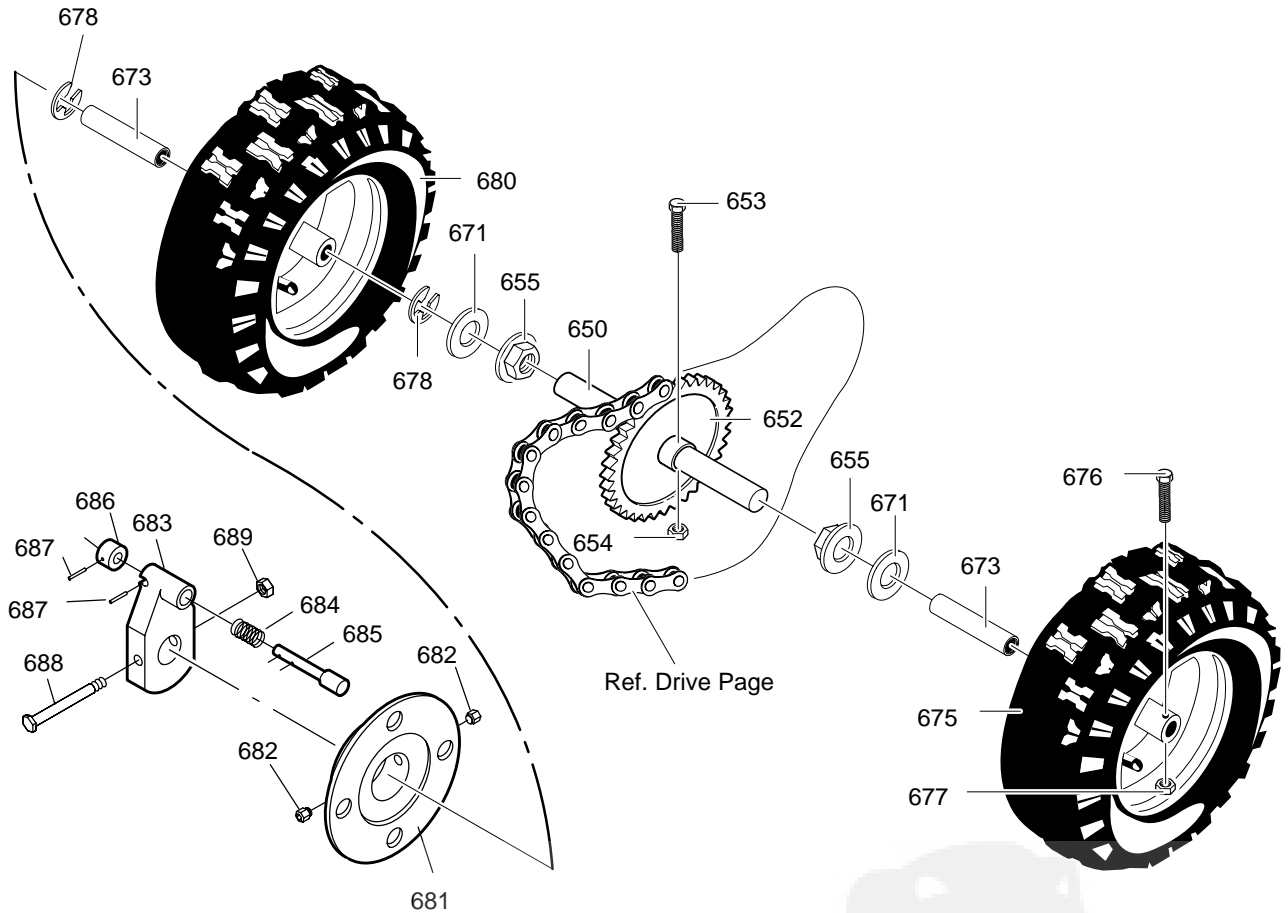
MODEL 633134x54A

REPAIR PARTS REMOTE CHUTE CONTROL



Key No.	Part No.	Description
965	318468	SPRING, TENSION RETURN
966	711666	WASHER, FLAT
967	310088	BOLT, 5/16-18
968	73787	WASHER, FLAT
969	15X143	NUT, 1/4-20
970	313676	SCREW, 5/16-18 X .75
971	306447 YZ	BRACKET, CABLE CHUTE
972	71391	NUT, 5/16-18

Key No.	Part No.	Description
973	95105	TRIM
974	760113	TIE, CABLE
975	1501393	CABLE, CHUTE CONTROL
981	780220	WIRE FORM
990	760858	SCREW, 3/8-16X1.75
994	71045	NUT, 3/8-16 HEX JAM
995	306689	HANDLE, 3/8-16 MOLDED



WHL102B

Key No.	Part No.	Description
650	1501284	SHAFT, AXLE
652	1501089	SPRKT & HUB
653	01x193	BOLT, HEX 1/4-20X1.75
654	15X145	NUT, 1/4-20 HEX NYLOCK
655	1501114	RETAINER, BEARING
671	712120	WASHER, FLAT
673	1501138	BUSHING, WHEEL
675	584535	TIRE & RIM -RIGHT
676	577015	SCREW, 1/4-20X1.75 HH
677	15x145	NUT, 1/4-20 HEX NYLOCK
678	239	RING, RET
680	584535	TIRE & RIM -LEFT
681	1501032	DISC, WHEEL
682	2001066	SCREW
683	1501031	HUB, WHEEL LOCK
684	164X34	SPRING, COMPRESSION
685	1501033 YZ	PIN, LOCK
686	1501034	KNOB
687	32X79	PIN
688	73839	SCREW
689	15X145	NUT