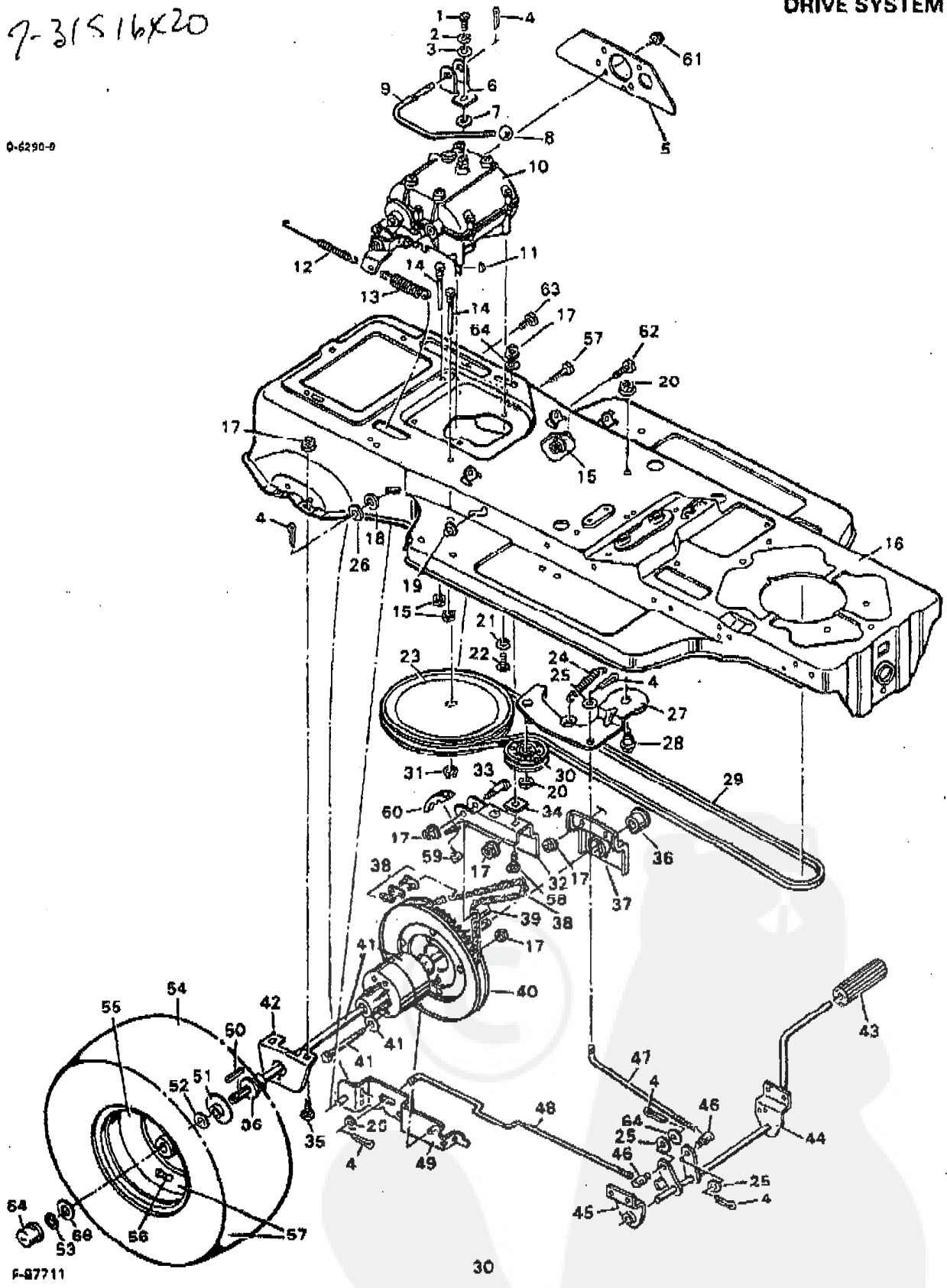


DRIVE SYSTEM

7-31516X20

0-6290-9

F-97711



7-31516X20

## DRIVE SYSTEM

KEY NO. DESCRIPTION	PART NO.	KEY NO. DESCRIPTION	PART NO.
1 Bolt, Hex 1/4"-28x1/2"	1x82	35 Bolt, Carriage 5/16"-18x3/8" ***	2x53
2 Lockwasher	18x32	36 Bearing, Axle	55597
3 Washer	17x37 Z	37 Plate, Left Bearing	90678 Z
4 Pin, Cotter	30x20	38 Chain and Link	90348
5 Chain Guide	90681	39 Roller ***	90176
6 Shifter Yoke	90183 Z	40 Sprocket, 50 Tooth	55621
7 Washer	17x134	41 Differential, Peerless Model 100-011 *	-----
8 Knob, Shift Lever	20739	42 Plate, Right Bearing	90346 Z
9 Lever, Shift	90192 Z	43 Pedal, Clutch/Brake	21544
10 Transmission, Peerless Model 754-B *	-----	44 Lever Assembly	90766
11 Woodruff Key #9	20697	45 Bracket, Support	90013
12 Spring	165x34	46 Nut, Adjustable	21920
13 Spring	165x7	47 Rod, Clutch	90066 Z
14 Bolt, Belt Guide	20619	48 Rod, Brake	90067 Z
15 Locknut, Flange 5/16"-18	15x79 Z	49 Brake Link Assembly	90068 Z
16 Frame Channel	90001	50 Key, Square 3/16"	21553
17 Locknut, Flange 5/16"-18 ***	15x88	51 Washer, Extruded	23041 Z
18 Washer	17x47 Z	52 Washer	17x113
19 Retainer, Cap	28x48	53 E-Ring	11x3
20 Nut, Flange 3/4"-16	15x84	54 Tire Only **	24393
21 Lockwasher	18x15	Tube, Tire	407048
22 Bolt, Hex 5/16"-18x3/4"	1x91	55 Wheel Only	24391 E
23 Pulley, Drive	91170	56 Valve Stem and Cap	24373
24 Spring, Extension	165x39	57 Bolt, Shoulder	9x32
25 Washer	17x53 Z	58 Bolt, Carriage 5/16"-18x3/8"	2x72
26 Washer	17x116 Z	59 Screw ***	25x214
27 Bracket Assembly, Idler	90011 Z	60 Guide Block ***	23403
28 Bolt, Shoulder 3/8"-16x3/4"	9x12	61 Screw	25x4
29 Bolt, Drive	37x27	62 Bolt, Hex 5/16"-18x1"	1x84
30 Pulley, Idler	91179	63 Bolt, Hex 5/16"-18x3/8"	1x45
31 Ring, Retainer	11x7	64 Washer	17x125
32 Bracket, Chain Idler	90480	65 Hub Cap, Optional	21662
33 Bolt, Shoulder ***	9x22	66 Washer, for models with hub caps	17x115
34 Spacer	90177 Z		

\* Parts are available from a Tecumseh Authorized Service Center. See "Engines, Gasoline" or "Gasoline Engines" in the yellow pages of the telephone directory.

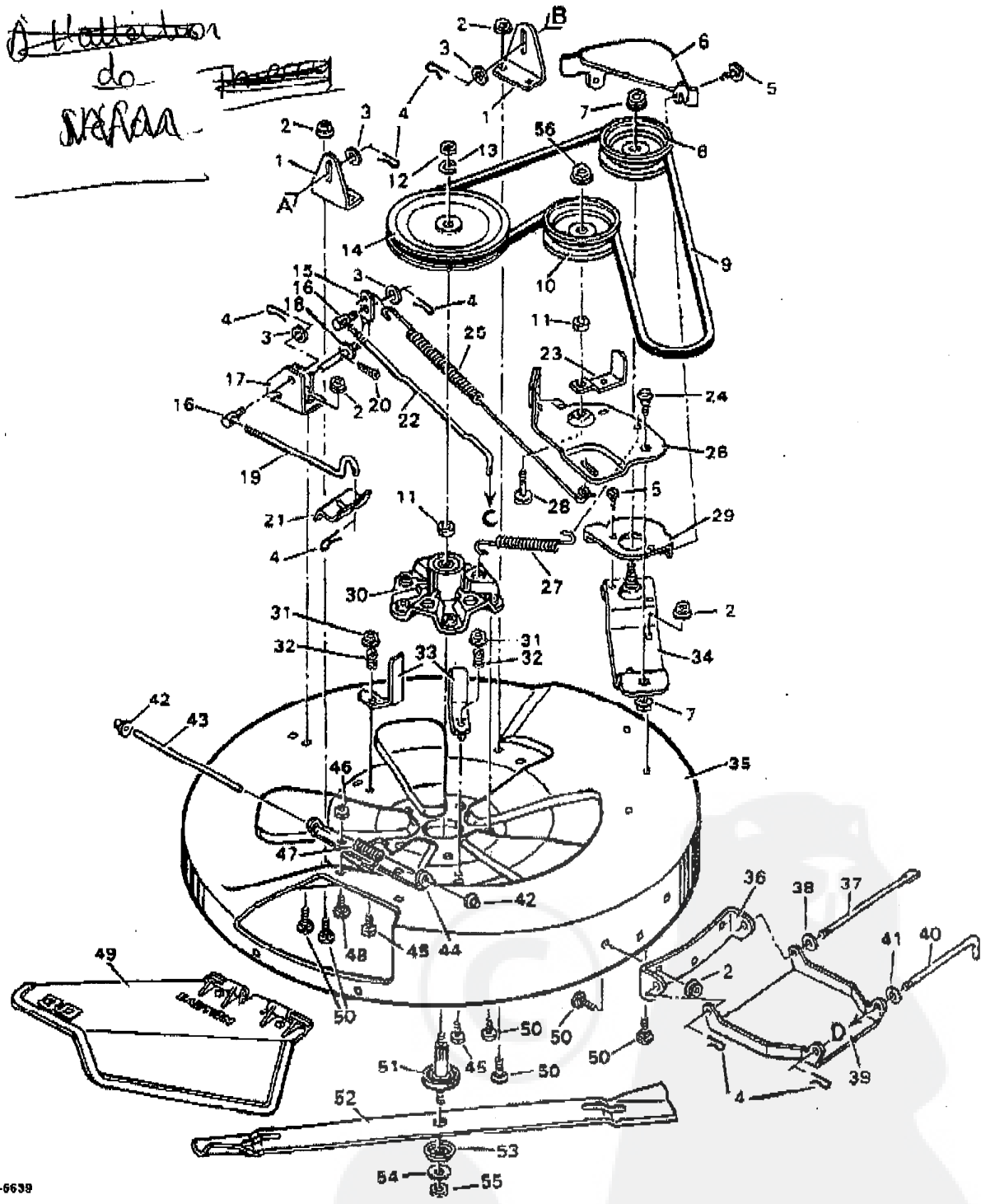
\*\* When you order a tire, make sure to give the brand name of the tire so that the tread pattern on the tire will match.

\*\*\* Part is also included with key no. 32.

7-31516X20 ATTN BARRY

REPLACEMENT PARTS  
MOWER HOUSING

~~Attention~~  
do  
SREAA



0-6639

5-87711

7-31516X20

REPLACEMENT PARTS  
MOWER HOUSING

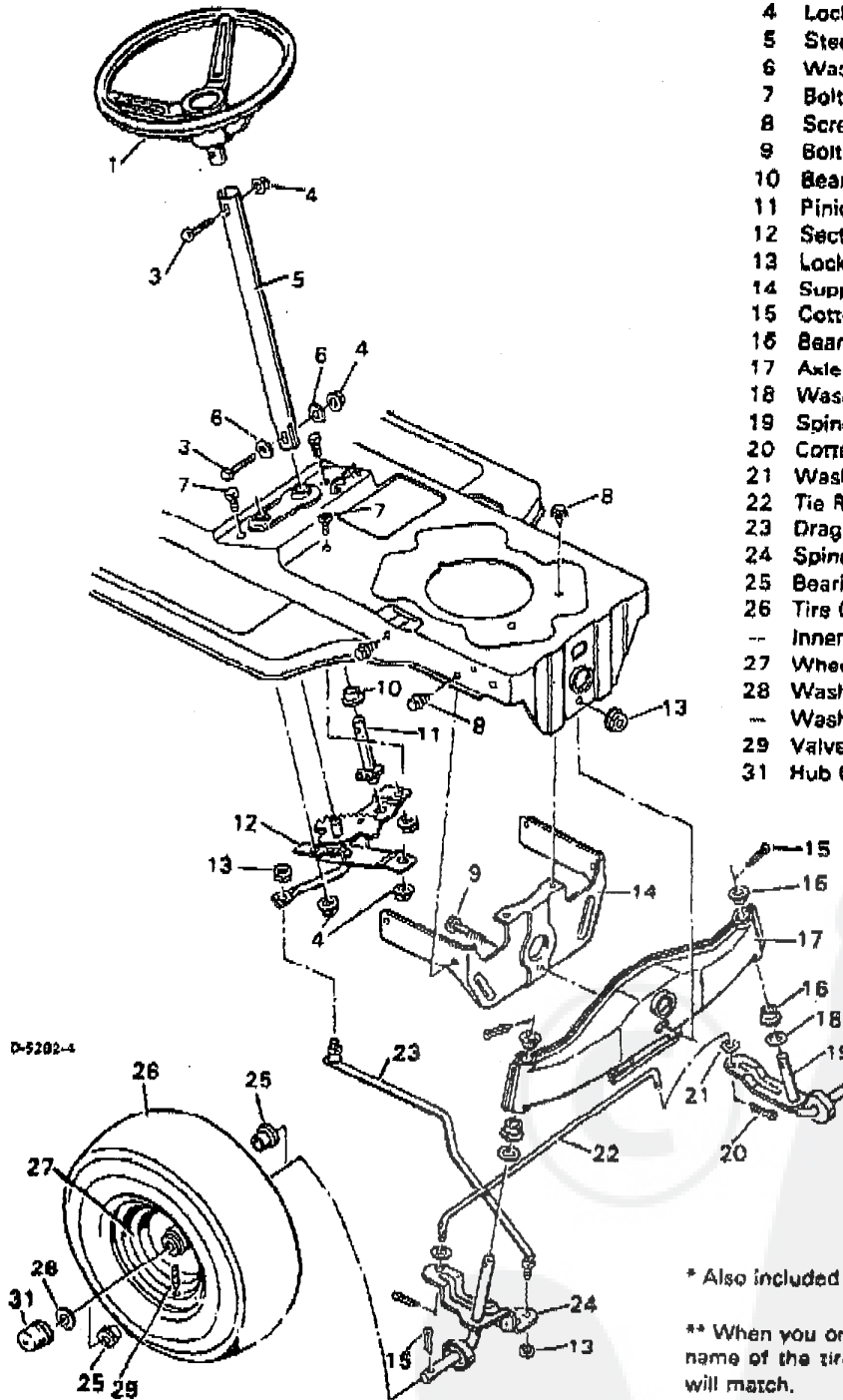
KEY NO. DESCRIPTION	PART NO.	KEY NO. DESCRIPTION	PART NO.
1 Bracket, Lifter *	91180	31 Nut, Locknut 5/16"-18	15x88
2 Nut, Hex 5/16"-18 *	15x79 Z	32 Spring, Compression	164x1
3 Washer	17x53 Z	33 Belt Guide	91189 Z
4 Pin, Hair	31x4	34 Idler Mount Assembly	91187
5 Screw	26x214	35 Housing, Blade *	91192
6 Cover, Pulley	91188	36 Bracket, Front Hanger *	91183
7 Locknut 3/8"-15	15x84	37 Rod, Hanger	90107 Z
8 Pulley, Idler	90315	38 Washer	17x57 Z
9 Belt, Blade Drive	37x59	39 Hanger, Front	90232
10 Pulley, Idler	90118	40 Pin, Pull	90827 Z
11 Spacer, Bearing	55273 Z	41 Washer	17x122 Z
12 Locknut 9/16"-18	15x101	42 Cap, Push On	28x23
13 Lockwasher	18x33	43 Rod, Deflector	21197 Z
14 Pulley, Splined	55452	44 Bracket, Deflector	55963
15 Lever, Pivot	91182 Z	45 Bolt, Hex 5/16"-18x1 3/4"	1x75
16 Nut, Adjustable	21920	46 Nut, Locknut 5/16"-18	15x43
17 Bracket, Rear Support *	91184	47 Spring, Torsional	166x4
18 Washer	17x102 Z	48 Bolt, Carriage	2x58
19 Link, Deck	90261 Z	49 Deflector, Chute	55971
20 Pin, Cotter	30x20	50 Bolt, Carriage *	2x53
21 Retainer, Link	90262 Z	51 Mandrel, Splined	55446
22 Rod, Blade Control	91186 Z	52 Blade, 30"	55969 HT
23 Guide, Belt	91195 Z	53 Washer, Belleville	17x155
24 Bolt, Shoulder	9x12	54 Washer, Hardened	17x154
25 Spring, Extension	165x69	55 Nut, Hex 9/16"-18	15x100
26 Idler Assembly	91193	56 Nut, Hex 1/2"-13	15x41
27 Spring, Extension	105x70	- Mower Housing, Complete **	403209
28 Bolt, Hex	1x127		
29 Plate, Shield Mounting	91187		
30 Housing, Mandrel	55962		

\* The part is also included with key no 35.

\*\* The complete blade housing includes key numbers 1-56 on this page and also the parts shown with an asterisk \* on previous page.

7-315/16x20

STEERING



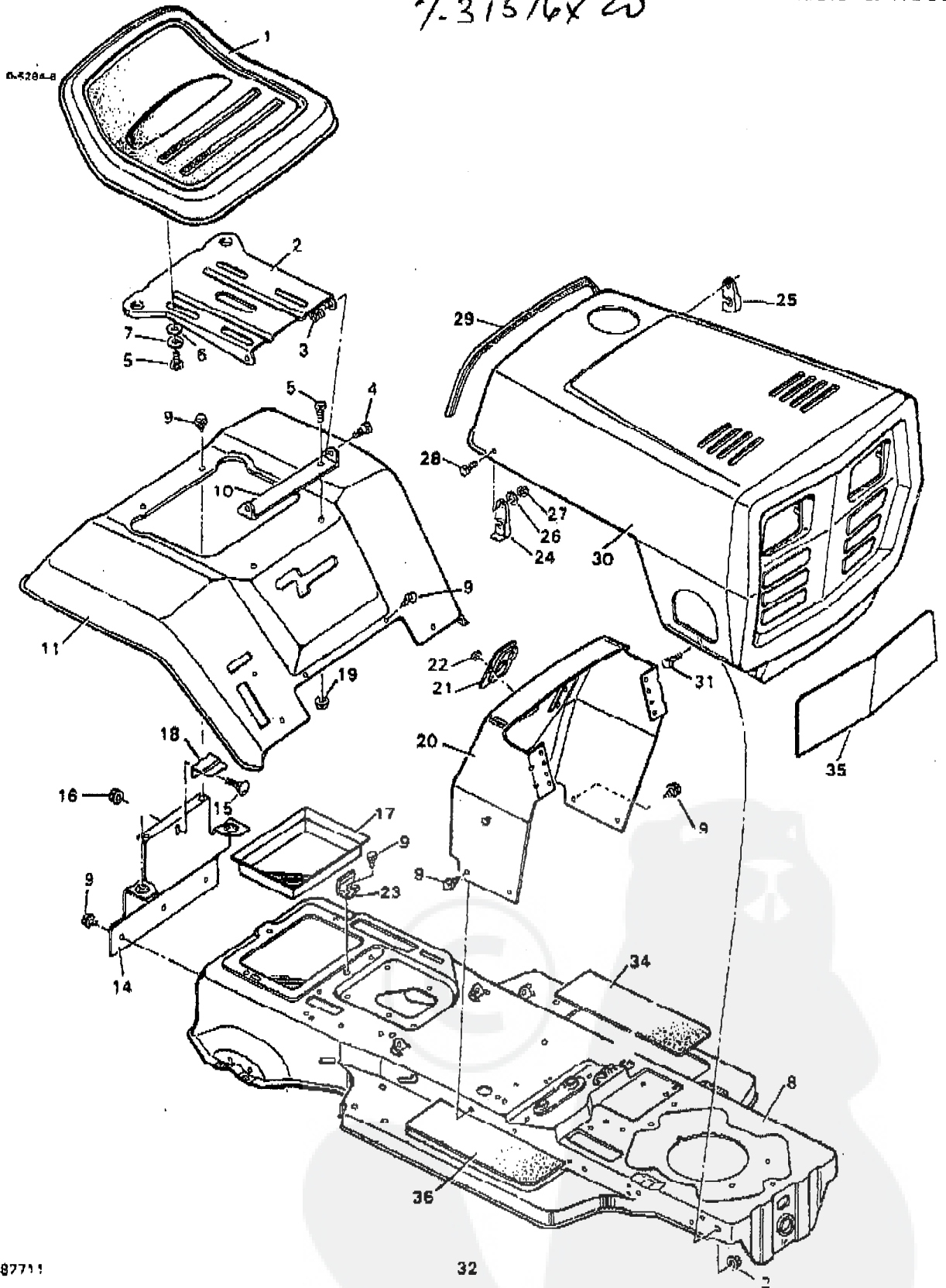
KEY NO.	DESCRIPTION	PART NO.
1	Steering Wheel	90576
3	Bolt, Hex 5/16"-18x1 1/2"	1x102
4	Locknut	15x88
5	Steering Post	90130 C
6	Washer	17x47 Z
7	Bolt, Hex 5/16"-18x3/8"	1x45
8	Screw	26x49
9	Bolt, Hex 3/8"-24x3 1/4"	1x101
10	Bearing	90035
11	Pinion Gear & Shaft	90132
12	Sector Gear Assembly	90025
13	Locknut, Flange 3/8"-24	15x87
14	Support, Front Axle	90002
15	Cotter Pin	30x49
16	Bearing	90035
17	Axle Assembly	90034
18	Washer	17x113
19	Spindle, Left	90139
20	Cotter Pin	30x20
21	Washer	17x57
22	Tie Rod	90038
23	Drag Link Assembly	91216
24	Spindle, Right	90138
25	Bearing *	55599
26	Tire Only **	24407
-	Inner Tube	407046
27	Wheel Only	90726 E
28	Washer, Hub Caps Only	17x115
-	Washer, Without Hub Caps	17x83 Z
29	Valve Stem & Cap	24373
31	Hub Cap, Optional	21662

\* Also included with key no. 27.

\*\* When you order a tire, make sure to give the brand name of the tire so that the tread pattern on the tire will match.

CHASSIS & HOOD

7-315/6X20



## CHASSIS &amp; HOOD

7-31516X20

KEY NO.	DESCRIPTION	PART NO.
1	Seat	90368
2	Support, Seat	91045
3	Locknut, Flange 3/8"-16	15x84
4	Bolt, Shoulder 3/8"-16x3/8"	9x17
5	Bolt, Hex 5/16"-18x3/4"	1x45
6	Washer	17x47 Z
7	Lock Washer	18x16
8	Frame Channel	90000
9	Screw	26x49
10	Bracket, Seat Pivot	90031
11	Seat Deck	90182
14	Support, Seat Deck	90633
15	Bolt, Carriage	7x53 Z
16	Locknut 5/16"-18	15x76
17	Battery Tray	24157
18	Battery Clamp	90632 Z
19	Locknut, Flange 5/16"-18	15x88
20	Dashboard Assembly	90739
21	Bearing, Steering Post	90081
22	Screw	26x186
23	Battery Clip	55149
24	Latch, Right Hood *	90464 Z
25	Latch, Left Hood *	90465 Z
26	Washer *	17x17 Z
27	Hex Nut #10-24 *	15x81
28	Machine Screw #10-24x1/2" *	4x20 Z
29	Edge Trim *	90240
30	Hood & Grille Assembly	90470
31	Bolt, Shoulder 3/8"-16x3/8"	9x14 Z
34	Mat	90148
35	Plate, Grille	90463

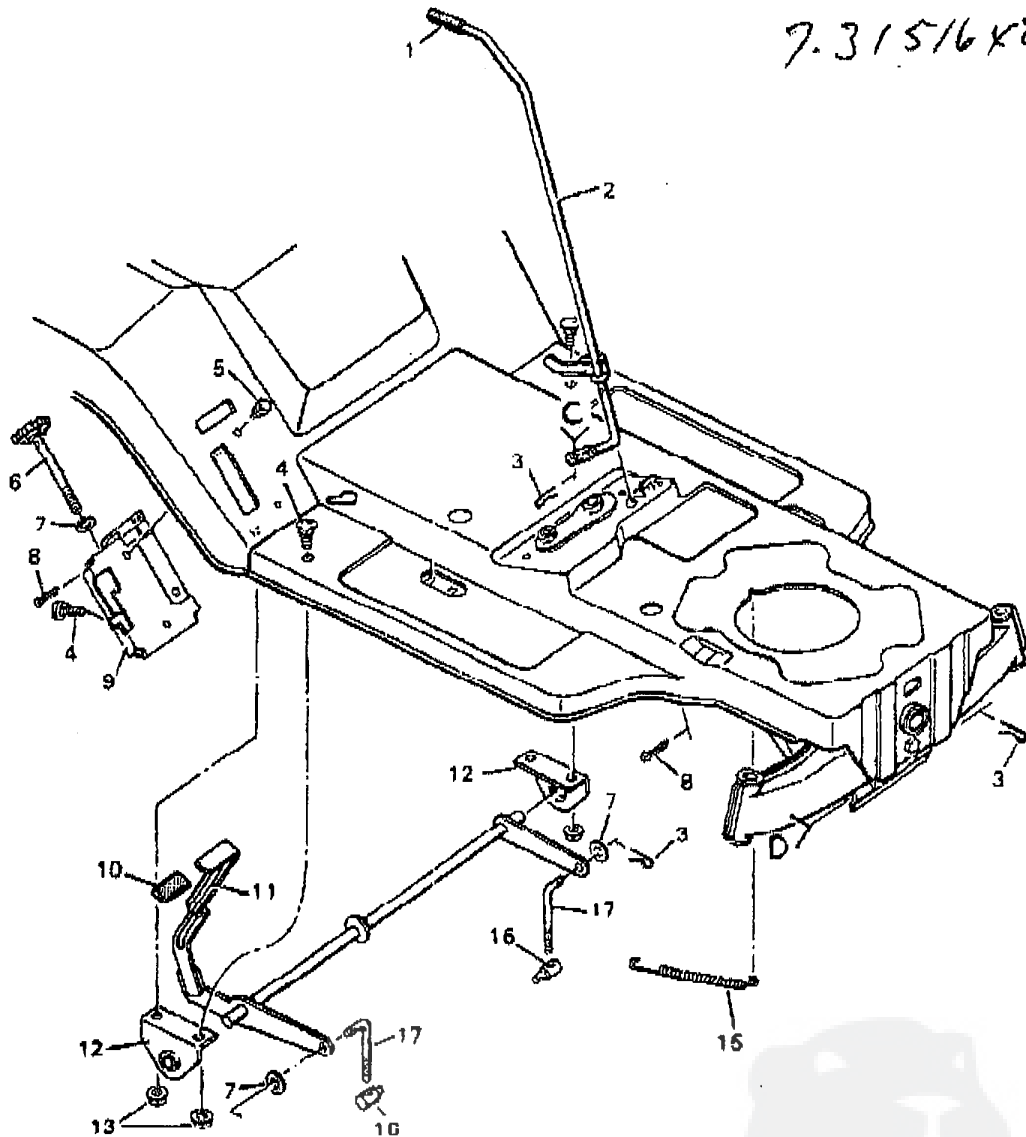
\* Part Number included with key no. 30.





## MOWER HOUSING SUSPENSION

7.31516x20



D-5301-1

KEY NO.	DESCRIPTION	PART NO.	KEY NO.	DESCRIPTION	PART NO.
1	Grip, Blade Control Lever	20476	10	Grip, Lift Lever Assembly	23340
2	Blade Engagement Control	9C030 Z	11	Lift Lever Assembly	91196
3	Pin, Hair *	31x4	12	Bracket, Hanger	90042
4	Bolt, Carriage	2x64	13	Locknut, Flange 5/16"-18	15x79
5	Screw	26x49	15	Spring	165x32
6	Adjuster Screw Assembly	90078 Z	16	Nut, Adjustable *	21820
7	Washer *	17x53 Z	17	Rod, Left Hanger *	23704 Z
8	Pin, Cotter	30x20			
9	Bracket Assembly, Adjuster	404063			

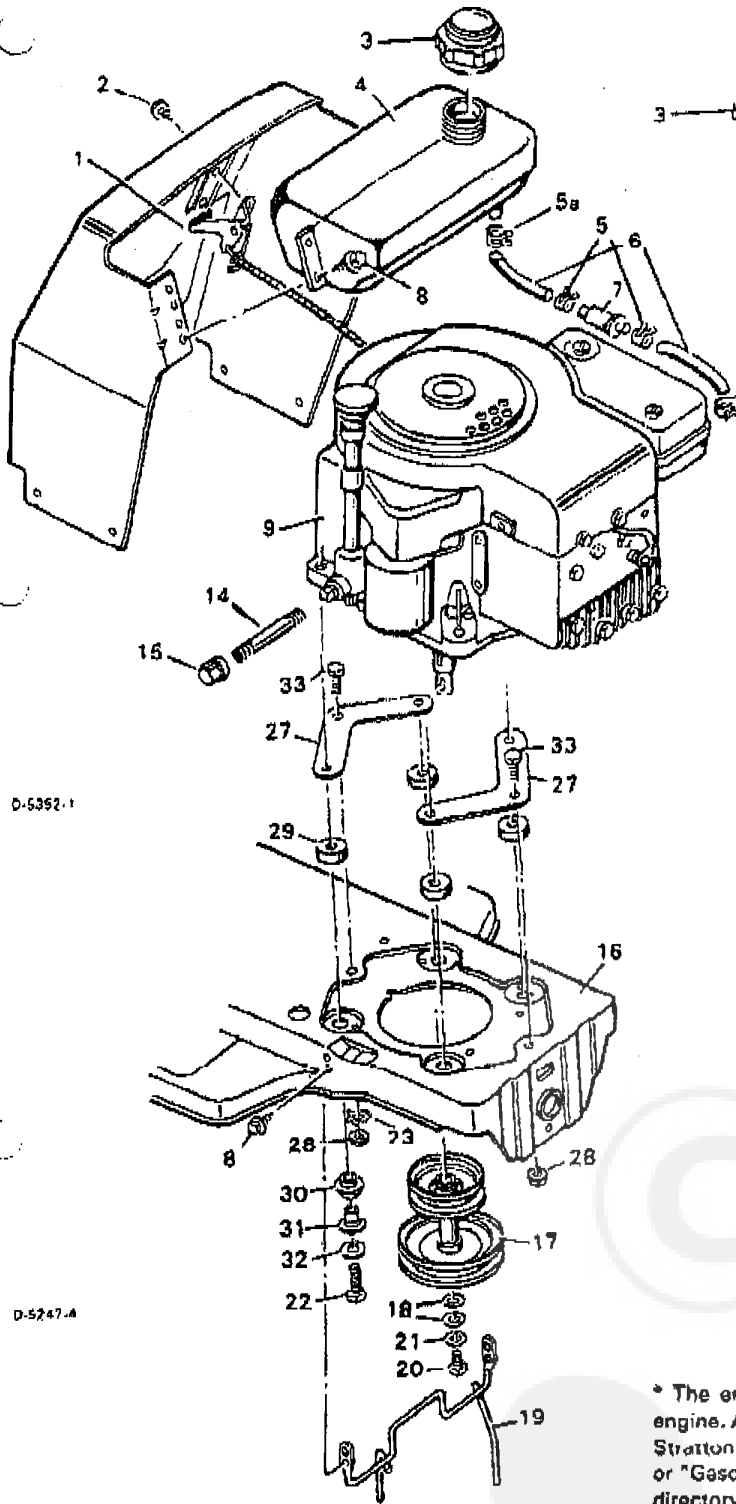
\* Parts that have an asterisk \* in the description are included with the complete mower housing. See the parts list for the mower housing.

F-87711

7-31516X20

ENGINE MOUNT

D-5352-1



KEY NO.	DESCRIPTION	PART NO.
1	Throttle Control	90728
2	Screw	26x159
3	Fuel Cap	23711
4	Fuel Cap with Gauge	24064
5	Fuel Tank	23300
6	Hose Clamp	23713
5a	Hose Clamp	91174
6	Fuel Line	90671
7	Fuel Filter	24159
8	Screw	26x214
9	Engine *	-----
10	Exhaust Deflector	23740 Z
11	Screw	26x203
12	Bolt, Hex 5/16" -18x3 3/4"	1x118
13	Muffler (Includes Key No. 25)	90330 PA
14	Oil Drain Extension	24066
15	Oil Drain Cap	21651
16	Frame Channel	90000
17	Stack Pulley Assembly	91557 Z
18	Washer	17x103
19	Belt Guide, Stack Pulley	90276 Z
20	Bolt, Hex 7/16"-20x1"	1x80
21	Lockwasher	19x35
22	Bolt, Engine	1x107
23	Washer	19x6
24	Heat Shield +	90932
26	Nut, Hex	15x90
27	Strap	90023 Z
28	Locknut, Flange 5/16"-18	15x88
29	Rubber Load Mount	24589
30	Rubber Rebound Mount	24590
31	Tube, Spacer	24591
32	Washer	10851 Z
33	Bolt, Hex 5/16"-18x 3/4"	1x45

\* The engine model, type, and code numbers are on the engine. All parts to the engine are available from a Briggs & Stratton Authorized Service Center. See "Engines, Gasoline" or "Gasoline Engines" in the yellow pages of the telephone directory.

+ This part is included when ordering Key No. 13

D-5352-1

D-5247-A

F-87711