

REPAIR PARTS BOOK

RIDING MOWER 5/25 (63cm)

REPAIR PART ORDERING INFORMATION

Use only manufacturer's authorized or approved replacement parts. The letter placed on the end of the part number denotes the type of finish for the part, C for chrome, Z for zinc, a PA for purchased assembly. It is important that you include this when ordering a part. Do not use attachments or accessories not specifically recommended for this unit. In order to obtain proper replacement parts you must supply the model number of your mower (see nameplate).

Replacement parts, except for the engine, transmission, transaxle or differential, are available from the store where the mower was purchased or a service shop recommended by the store.

If you are unable to obtain parts or service in the manner outlined above, then contact: Murray Export Sales B.V., Baarerstrasse 75, 6300 Zug, Switzerland. Collect telephone calls will not be accepted.

Replacement parts for the engine, transaxle, or transmission, are available from the manufacturer's authorized service center found in the yellow pages of the telephone directory. Also, see the individual engine or transmission warranties to order replacement parts.

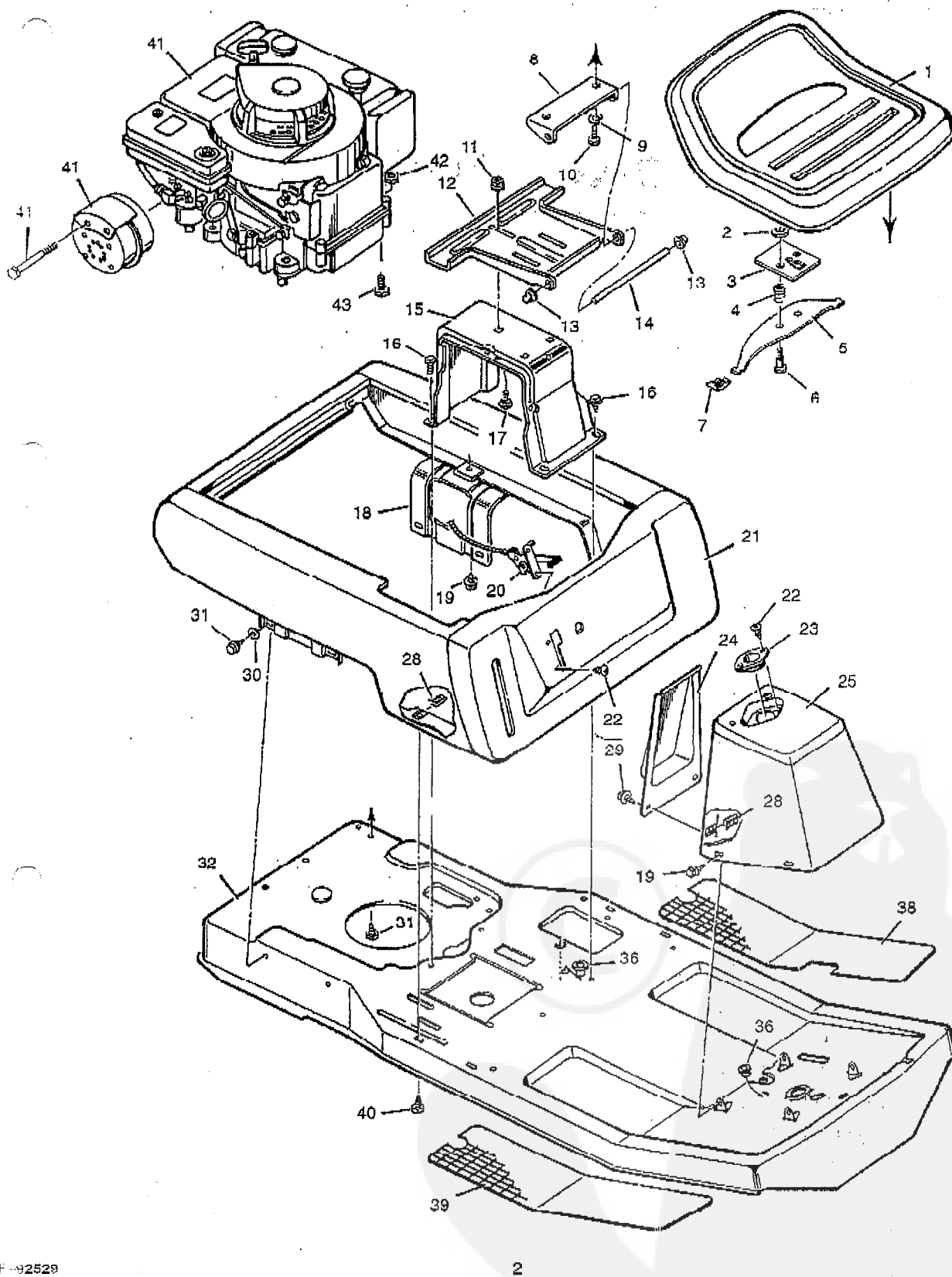
When ordering the following information is required:

- (1) The Model Number
- (2) Date of Manufacture
- (3) Part Number
- (4) Description
- (5) Quantity

F-92529

MODEL NO. 25515x65B
MODEL NO. 25515x66C

REPAIR PARTS
BODY & CHASSIS



F-92529

2

MODEL NO. 25515x65B
MODEL NO. 25515x66C

REPAIR PARTS
BODY & CHASSIS

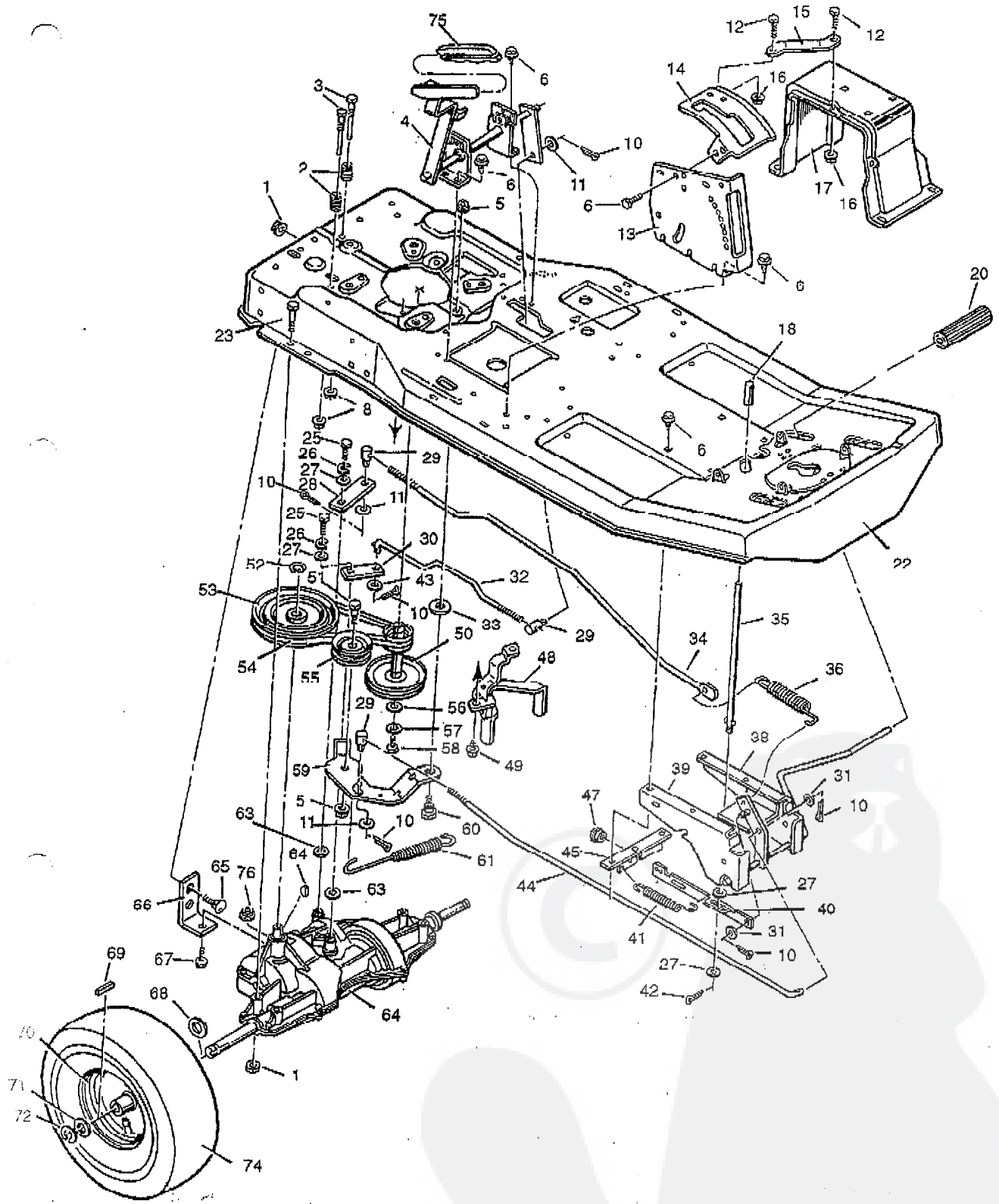
Key No.	Description	Part No.
1	Seat	56538
2	Retainer	28x64
3	Plate Assembly, Seat Switch	91963Z
7	Glide, Seat Spring	91822
8	Hinge, Seat	56516E700
9	Lockwasher	18x16
10	Bolt, Hex	1x45
11	Locknut, Flange	15x88
12	Bracket, Seat Pivot	56518E700
13	Cap, Push On	28x23
14	Rod, Seat Hinge	56537Z
15	Support, Seat	56517E700
16	Screw	26x240
17	Bolt, Carriage	2x53
18	Support, Body +	56017E700
19	Screw +	26x214
20	Throttle Control	91993
21	Body, Model 25515x65B	56209E245
—	Body, Model 25515x66C	56209F244
22	Screw	26x201
23	Bearing, Steering Post	56022
24	Plate, Console, Model 25515x65B	55023E245
—	Plate, Console, Model 25515x66C	55023E244
25	Panel, Control, Model 25515x65B	56571E245
—	Panel, Control, Model 25515x66C	56571E244
28	J-Nut	28x18
29	Screw	4x24
30	Lockwasher	19x6
31	Screw	26x49
32	Frame Assembly	56228E700
36	Grommet	21268
38	Mat, Left	56107
39	Mat, Right	56106
40	Screw	6x74
41	Engine, Briggs & Stratton *	_____
—	Woodruff Key #6, Crankshaft	20062
42	Nut, Hex	15x90Z
43	Bolt, Engine Mount	1x74

+ These parts are included with Key No. 21.

* Parts are available from a Briggs and Stratton Authorized Service Center. See "Engines, Gasoline" or "Gasoline Engines" in the yellow pages of the telephone directory.

MODEL NO. 25515x65B
MODEL NO. 25515x66C

REPAIR PARTS DRIVE SYSTEM



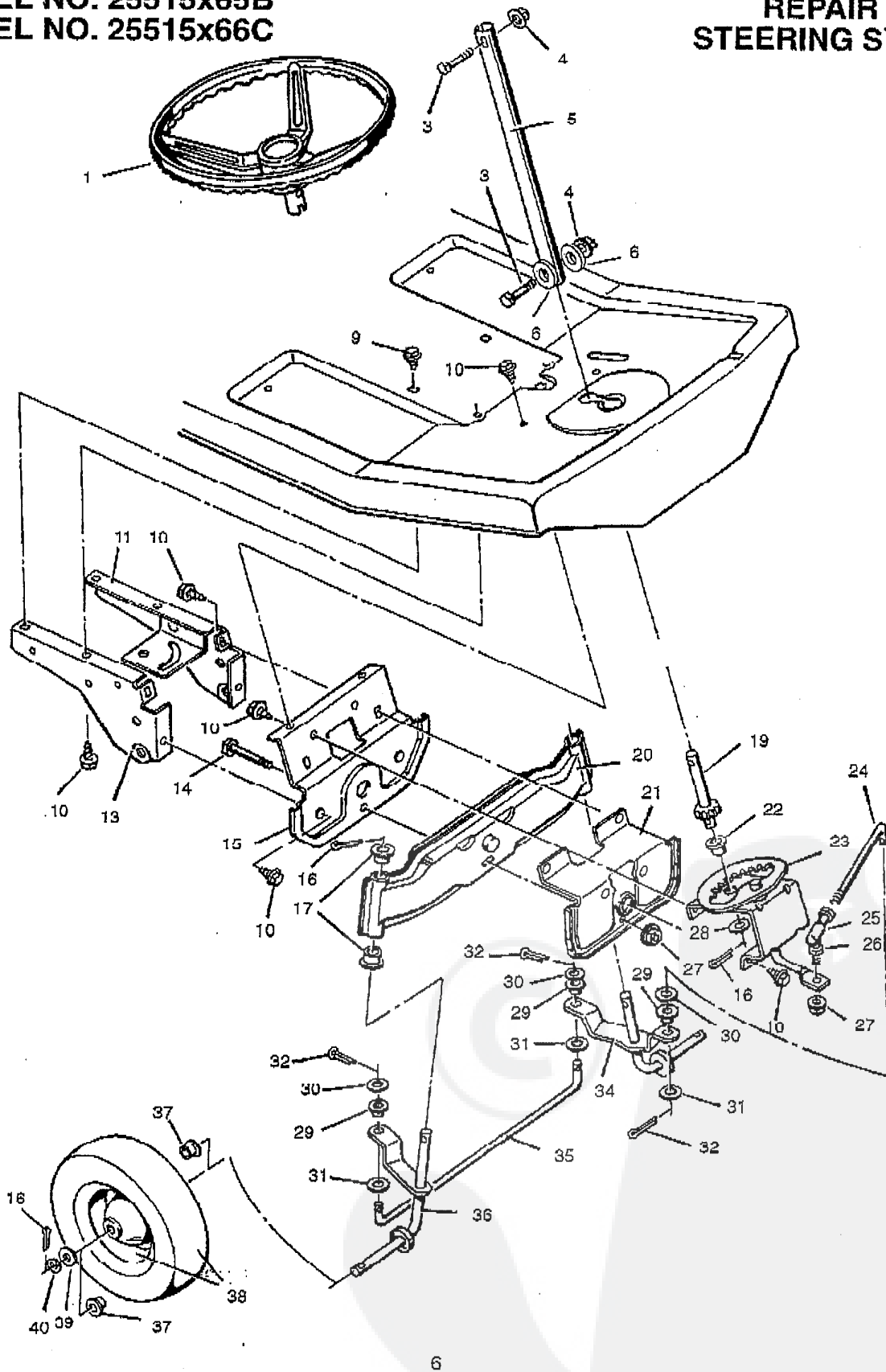
F-92529

MODEL NO. 25515x65B
MODEL NO. 25515x66C
REPAIR PARTS
DRIVE SYSTEM

Key No.	Description	Part No.	Key No.	Description	Part No.
1	Locknut, Flange	15x88	41	Spring, Extension	165x84
2	Spring, Compression	164x1	42	Pin, Cotter	30x50
3	Guide, Belt	55826	43	Washer	17x46Z
4	Shifter Assembly	56232E700	44	Rod, Clutch	56531Z
5	Locknut, Flange	15x84	45	Stop, Parking Brake	56227E/00
6	Screw	26x249	47	Grommet	56593
7	Bracket, Mounting	56502E700	48	Guide, Belt	56216Z
8	Hex Nut	15x115	49	Screw	26x49
10	Pin, Cotter	30x20	50	Pulley Assembly, Stack	56547Z
11	Washer	17x53Z	51	Bolt, Hex	1x111
12	Bolt, Hex	1x38	52	Ring, Retainer	11x7
13	Plate, Index	56595E700	53	Pulley, Drive	5656Z
14	Gate, Shift	56594E700	54	Belt, Motion Drive	37x65
15	Brace, Shift Gate	56529E700	55	Pulley, Idler	56526
16	Locknut, Flange	15x89	56	Washer	10851Z
17	Support, Seat	56517E700	57	Lockwasher	19x39
18	Grip, Parking Brake	55873	58	Bolt, Hex	1x20
20	Pedal	55025	59	Bracket, Idler	56520E700
22	Frame Assembly	56228E700	60	Bolt, Shoulder	9x42
23	Bolt, Hex	1x124	61	Spring, Extension	165x81
25	Bolt, Hex	1x82	62	Spacer, Transaxle	56536
26	Lockwasher	18x32	63	Washer	17x148
27	Washer	17x37Z	64	Transaxle, Dana Model 4450-2	_____
28	Yoke, Brake	56500Z	65	Bolt, Carriage	2x53
29	Nut, Adjusting	21920	66	Bracket, Transaxle	56503Z
30	Yoke, Shift	56505Z	67	Bolt, Hex	1x139
31	Washer	17x47Z	68	Washer	17x160
32	Rod, Shift	56591Z	69	Key, Square	56534
33	Washer, Hardened	17x174-HT	70	Wheel & Tire Assembly	24995-601
34	Rod, Brake	56530Z	71	Washer	17x115
35	Rod, Parking Brake	56566Z	72	E-Ring	11x3
36	Spring, Extension	165x85	73	Valve Stem (incl'd with key 70)	24373
37	Lever, Pedal	56511E700	74	Tire Only (incl'd with key 70)	24379
38	Plate -Left, Suspension	56224E700	75	Grip, Shift Lever	91573
39	Plate -Right, Suspension	56023E700	76	Locknut, Hex	15x43
40	Link, Parking Brake	56565Z			

MODEL NO. 25515x65B
MODEL NO. 25515x66C

REPAIR PARTS STEERING SYSTEM



F-92529

6

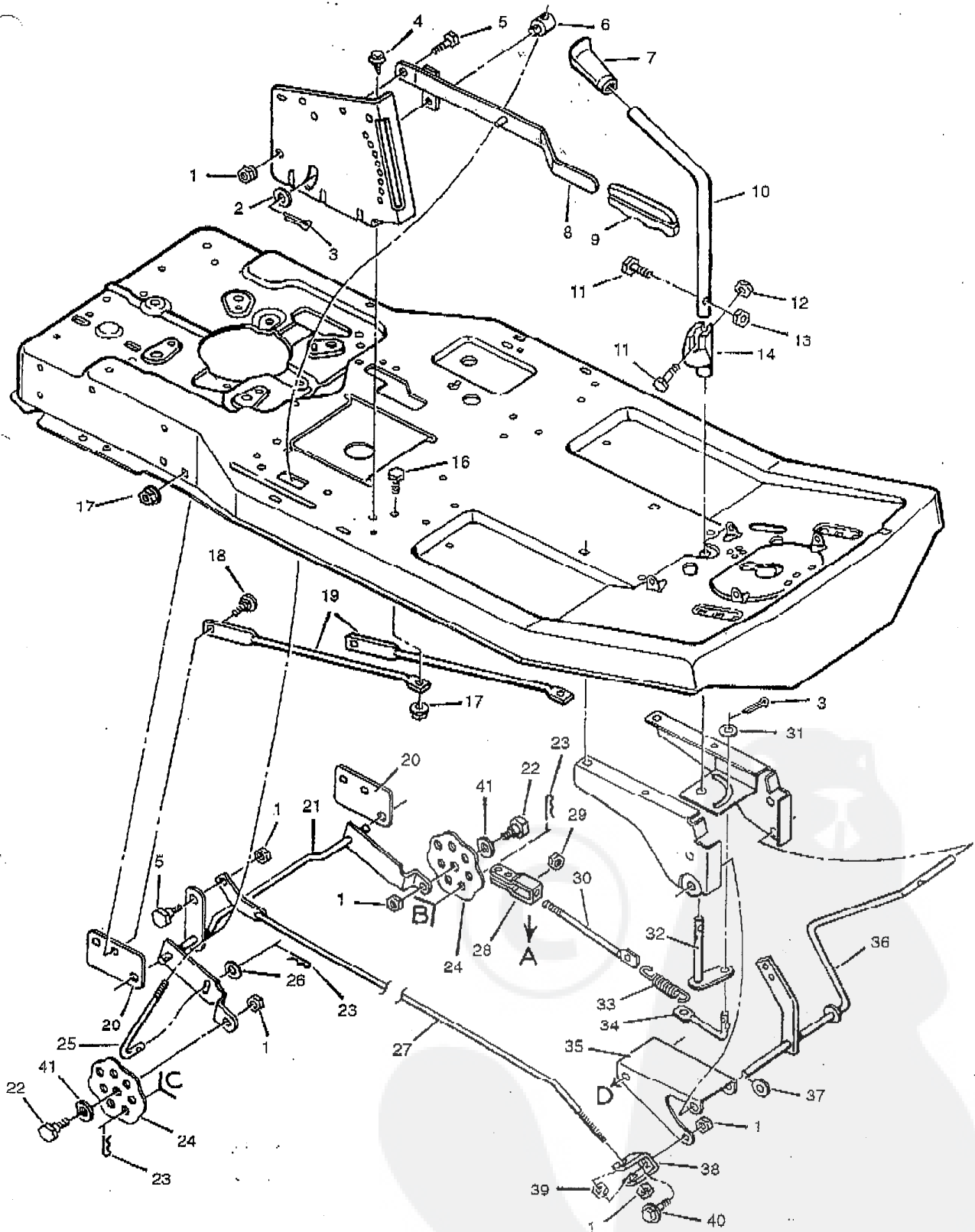
MODEL NO. 25515x65B
MODEL NO. 25515x66C

**REPAIR PARTS
 STEERING SYSTEM**

Key No.	Description	Part No.
1	Steering Wheel	92078
3	Bolt, Hex	1x102
4	Locknut, Flange	15x88
5	Post, Steering	91444C
6	Washer	17x47Z
9	Screw	26x267
10	Screw	26x249
11	Plate -Left, Suspension	56224E700
13	Plate -Right, Suspension	56023E700
14	Bolt, Hex	1x69
15	Support, Front Axle	56231E700
16	Pin, Cotter	30x49
17	Bearing, Spindle	55003
19	Gear, Pinion	56057
20	Axle Assembly, Front - Model 25515x65B	56223E245
—	Axle Assembly, Front - Model 25515x66C	56223E244
21	Hanger Assembly, Front Axle	56230E700
22	Bearing	55108
23	Sector Assembly	56222E700
24	Rod, Drag Link	55046E700
25	Ball Joint, Steering	21031
26	Nut, Hex	15x61
27	Locknut, Flange	15x87
28	Washer	17x87
29	Bearing, Flanged	55547
30	Washer	17x53
31	Washer	17x161
32	Pin, Cotter	30x20
34	Spindle Assembly, Left - Model 25515x65B	55381E245
—	Spindle Assembly, Left - Model 25515x66C	55381E244
35	Rod, Tie	55026E700
36	Spindle Assembly, Right - Model 25515x65B	55380E245
—	Spindle Assembly, Right - Model 25515x66C	55380E244
37	Bearing, Wheel (incl'd with key 38)	56105
38	Wheel & Tire Assembly	56138E601
39	Washer	17x100Z
40	Washer	24583

MODEL NO. 25515x65B
MODEL NO. 25515x66C

REPAIR PARTS MOWER HOUSING SUSPENSION



H-92529

8

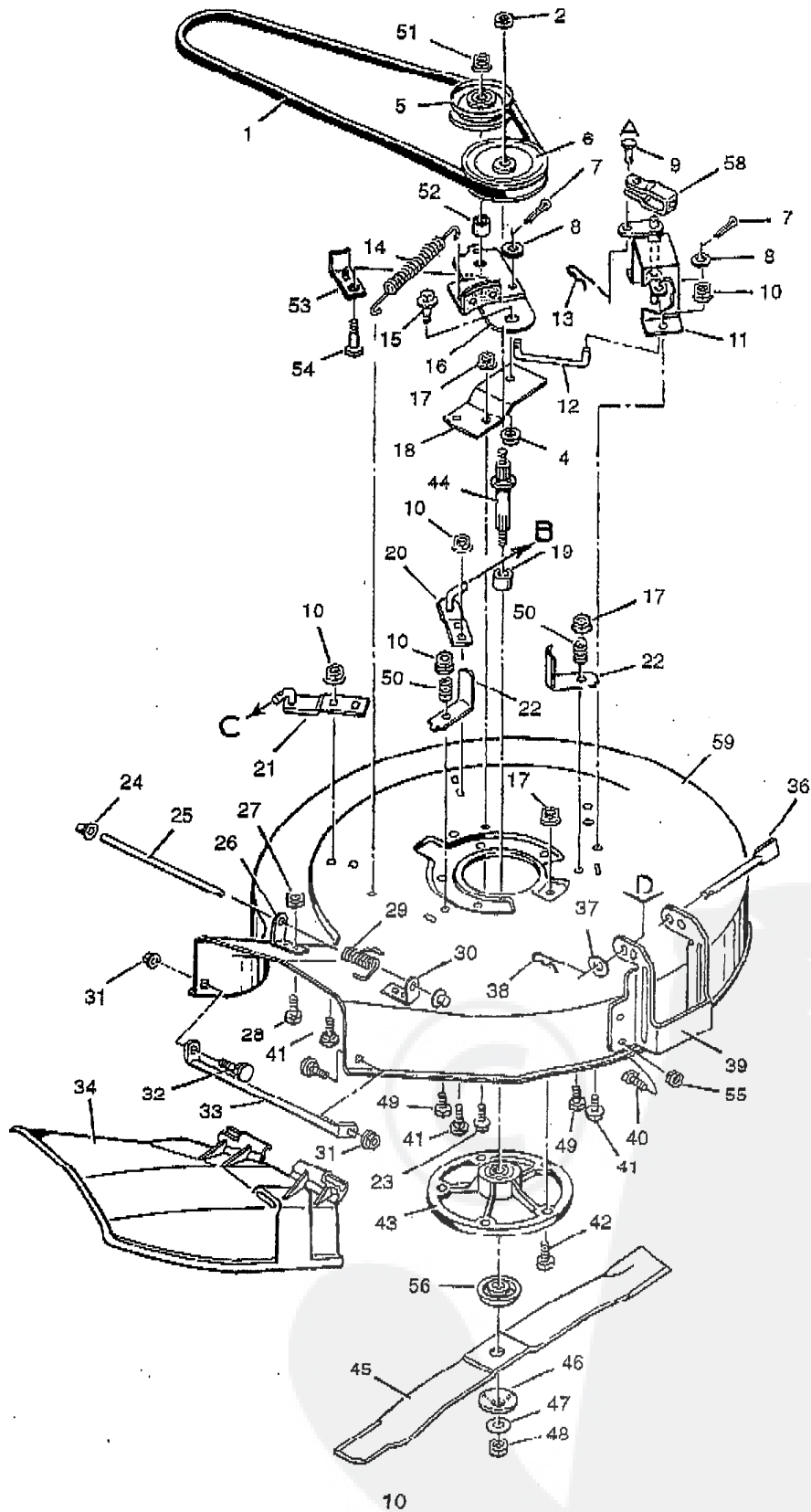
MODEL NO. 25515x65B
 MODEL NO. 25515x66C

REPAIR PARTS MOWER HOUSING SUSPENSION

Key No.	Description	Part No.
1	Locknut, Flange	15x84
3	Pin, Cotter	30x20
4	Screw	26x249
5	Bolt, Shoulder	9x9Z
6	Nut, Adjusting	21920
7	Grip, Blade Control	55449
8	Lever Assembly, Lift	56031E700
9	Grip, Lift Lever	91573
10	Lever, Blade Control	55927Z
11	Bolt, Hex	1x76
12	Locknut	15x66
13	Locknut, Flange	15x89
14	Cam, Blade Control	55853
16	Bolt, Hex	1x45
17	Locknut, Flange	15x88
18	Bolt, Carriage	2x64
19	Strut, Frame	55326E700
20	Plate, Mounting	56270E700
21	Rod Assembly, Rear Suspension	55346E700
22	Bolt, Shoulder	9x4
23	Pin, Hair	31x4
24	Plate, Adjusting	55344E/U0
25	Rod, Lifter	24839E700
26	Washer	17x53
27	Rod, Suspension	55957E700
28	Clevis	24471Z
29	Nut, Hex	15x2
30	Link, Blade Drive	55271Z
31	Washer	17x48
32	Rod and Arm Assembly	55930E700
33	Spring, Extension	165x89
34	Link, Front Deck	55179E700
35	Bracket, Front Suspension	55139E700
36	Lever, Pedal	56511E700
37	Washer	17x122
38	Clevis	55298
39	Locknut, Hex	15x73
40	Bolt, Shoulder	9x17
41	Washer, Curved	20x4

MODEL NO. 25515x65B
MODEL NO. 25515x66C

REPAIR PARTS MOWER HOUSING



F-92529

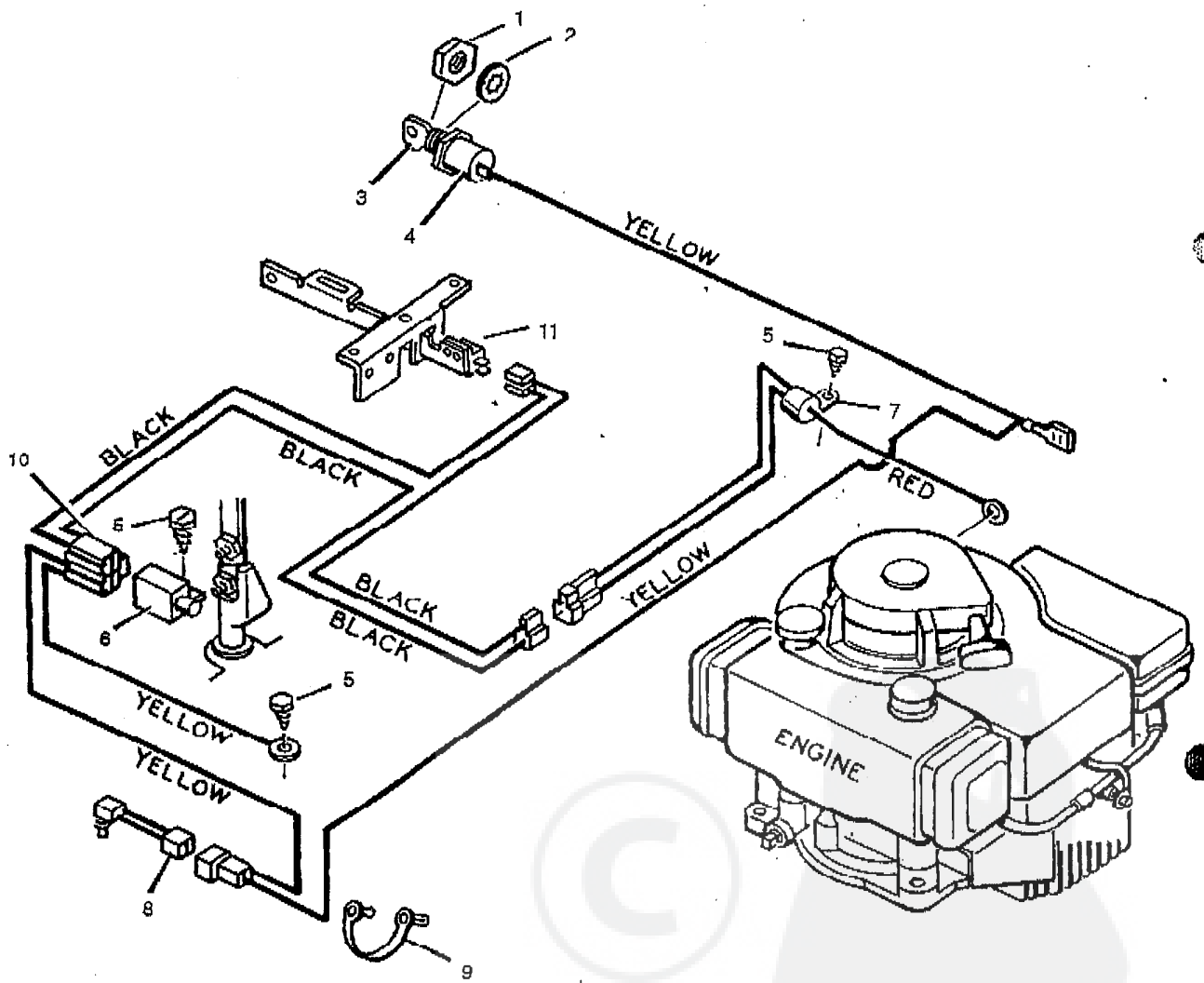
MODEL NO. 25515x65B
MODEL NO. 25515x66C

REPAIR PARTS
MOWER HOUSING

Key No.	Description	Part No.	Key No.	Description	Part No.
1	Belt, Mower Drive	37x1P	29	Spring, Torsional	166x4
2	Locknut, Hex	15x100	30	Bracket, Front Deflector	21186E700
3	Lockwasher	18x33	31	Locknut	15x89
4	Locknut	15x84	32	Bolt, Carriage	2x39
5	Pulley, Idler	91178	33	Horn Guard	20581E700
6	Pulley, Splined	91949	34	Deflector, Chute	56091
7	Pin, Cotter	30x20	36	Pin, Pull	90828Z
7	Bracket, Upper Idler	55921E700	37	Washer	17x67Z
8	Washer	17x53Z	38	Pin, Hair	31x4
9	Pin, Clevis	29x99	39	Bracket, Front	56559E700
10	Locknut	15x79	40	Bolt, Hex	1x100
11	Pivot Rod and Arm Assembly	55071E700	41	Bolt, Carriage	2x53Z
12	Idler Link	55094Z	42	Bolt, Hex	1x84
13	Pin, Hair	31x6	43	Housing, Mandrel	90905
14	Spring, Extension	165x43	44	Mandrel	91921
15	Bolt, Shoulder	9x15	45	Blade, 25 inch	55457E701
16	Assembly, Blade Idler	55899E700	46	Washer, Belleville	17x166
17	Locknut	15x88	47	Washer, Hardened	17x165
18	Bracket, Idler Support	55095E700	48	Nut, Hex	15x100
19	Spacer	91925	49	Bolt, Hex	1x75
20	Hanger Assembly, Left Rear	56561E700	50	Spring, Compression	164x1
21	Hanger Assembly, Right Rear	56560E700	51	Nut, Hex	15x41
22	Guide, Belt	55096E700	52	Spacer	55895Z
23	Bolt, Hex	1x45	53	Spring, Belt Guide	55894
24	Push On Cap	28x23	54	Bolt, Hex	1x127
25	Rod	21197Z	55	Locknut	15x82
26	Bracket, Rear Deflector	21181E700	56	Adapter, Blade	91926
27	Nut, Hex	15x51	58	Clevis	24471Z
28	Screw, Machine	4x21	1-59	Mower Housing, Complete	403207A

MODEL NO. 25515x65B
MODEL NO. 25515x66C

REPAIR PARTS
WIRING SYSTEM



F-92529

12

MODEL NO. 25515x65B

MODEL NO. 25515x66C

**REPAIR PARTS
WIRING SYSTEM**

Key No.	Description	Part No.
1	Nut, Hex	15x105
2	Lockwasher	19x40
3	Key, Ignition	20729
4	Switch, Ignition	23665
5	Screw	26x233
6	Switch, Limit	91032
7	Solid State Module	21361
8	Switch, Seat Sensor	91031
9	Tie, Wire	32618
10	Harness, Wire	250x28
11	Switch, Limit	24273

