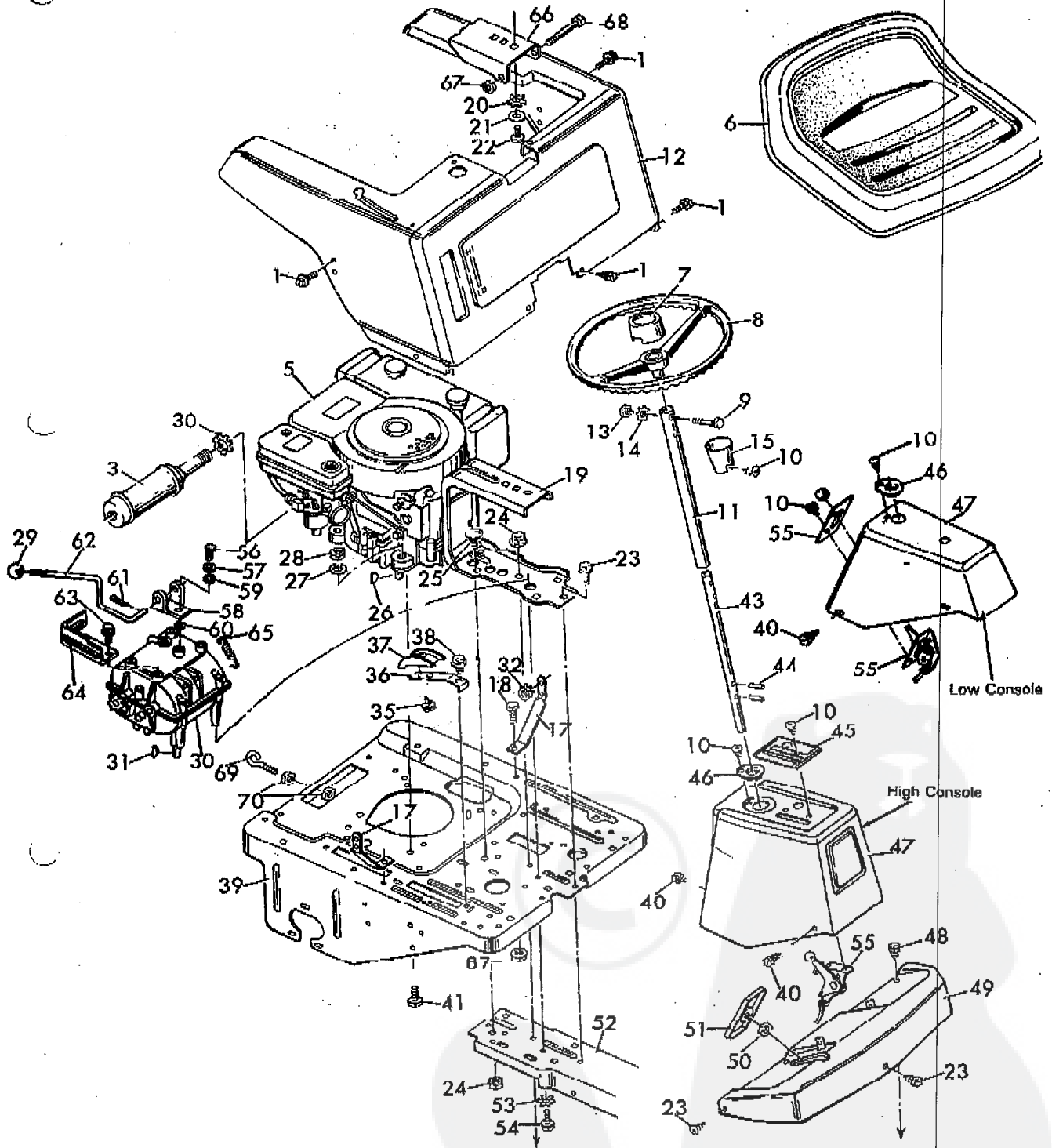


3-25003X76

RIDING MOWER—TOP HALF PARTS ILLUSTRATION



RIDING MOWER—TOP HALF PARTS LIST

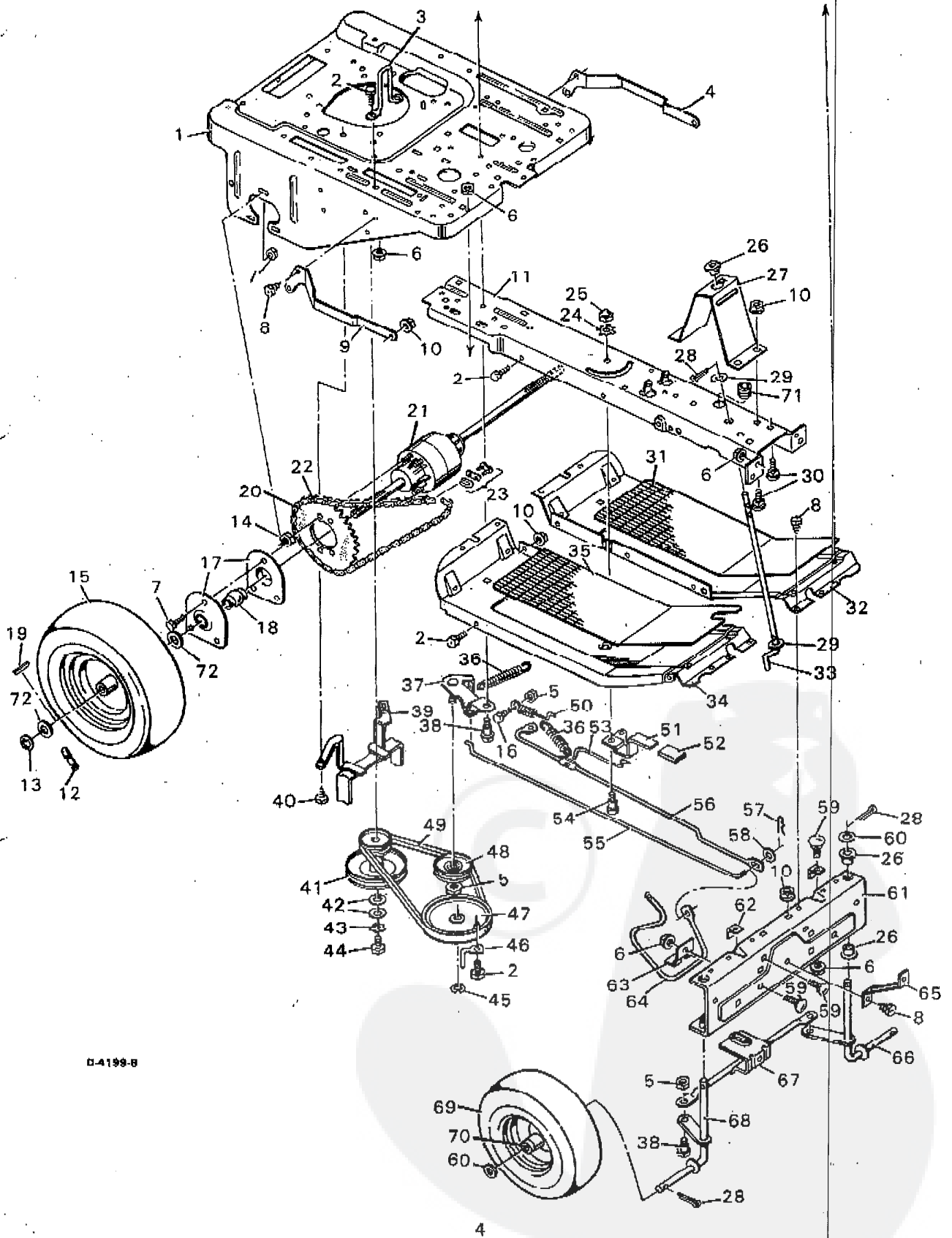
KEY NO.	PART NO.	DESCRIPTION	KEY NO.	PART NO.	DESCRIPTION
1	26X214	Screw	41	1X74	Hex Bolt 5/16-24X1 1/4
2	1X117	Hex Bolt	43	24612	Steering Post Tube Assembly
3	23483	Muffler-Model 25003X & 25004X	44	32X70	Spring Pin
5	---	Engine#	45	21241	Control Plate-Model 25003X
6	23568	Seat - Low Console	--	20496	Control Plate - Electric Start
--	23569	Seat- High Console	46	21034	Bearing-Nylon
7	23573	Steering Wheel Cap	47	23450	Console Assembly-Low
8	23572	Steering Wheel	--	24656	Console Assembly-High
9	6X58	Hex Bolt 1/4 10X1 1/2	48	26X179	Screw
10	26X159	Screw	49	20474	Apron Assembly-Low Console
11	21172C	Sleeve	--	20473	Apron Assembly-High Console
12	24955	Shroud Assembly	50	15X63	Hex Nut 7/16-14
13	15X12	Hex Nut 1/4-20	51	20575E	Pedal Assembly
14	19X4	Shakeproof Washer	52	23673	Frame Channel-Low Console
15	21171	Collar	--	23666	Frame Channel-High Console
17	23454	Shroud Brace	53	19X6	Shakeproof Washer
18	1X45	Bolt	54	1X91	Hex Bolt 5/16"-18X 3/4"
19	24567	Seat Bracket	55	21221	Throttle Control-Low Console
20	19X36	Shakeproof Washer	--	24842PA	Throttle Control-High Console
21	17X67Z	Washer	56	1X82	Hex Bolt
22	1X88	Hex Bolt 1/4-13X7/8	57	17X32Z	Washer
23	26X197	Screw	58	24834Z	Transmission Yoke
24	15X68Z	Flange Locknut 3/8-16	59	18X30	Spring Lockwasher
25	2X56	Carriage Bolt 3/8-16X 3/4	60	17X134	Washer
26	20062	Woodruff Key #6	61	30X20	Cotter Pin
27	17X47Z	Washer	62	24987	Shift Lever
28	15X42	Hex Nut 5/16 24	63	26X207	Screw
29	24844	Shift Lever Knob	64	24999Z	Gate-Transmission
30	---	Transmission##	65	165X28	Extension Spring
31	20697	Woodruff Key #9	66	23486Z	Hinge-Optional
32	15X66	Keps Nut	67	15X88	Flange Locknut
35	26X214	Screw	68	1X78	Hex Bolt
36	23402	Idler Leaf Spring	69	20696	Eyebolt-Hitch
37	23403	Guide Block	70	15X33	Hex Nut
38	26X174	Screw	*	10851Z	Washer-Transmission
39	23427	Engine Base			
40	26X214	Screw			

*Not Shown

#NOTE: Your Engine Model, Type & Code Number is stamped on the Blower Housing. All parts pertaining to this engine are available from the Briggs and Stratton Parts and Service Station in the yellow pages of the classified Telephone Directory.

##NOTE: All parts pertaining to this transmission are available from Tecumseh Parts and Service Centers listed in the yellow pages of the classified telephone directory under "Engines, Gasoline" or "Gasoline Engines".

RIDING MOWER—LOWER HALF PARTS ILLUSTRATION



D-4199-B

RIDING MOWER—LOWER HALF PARTS LIST

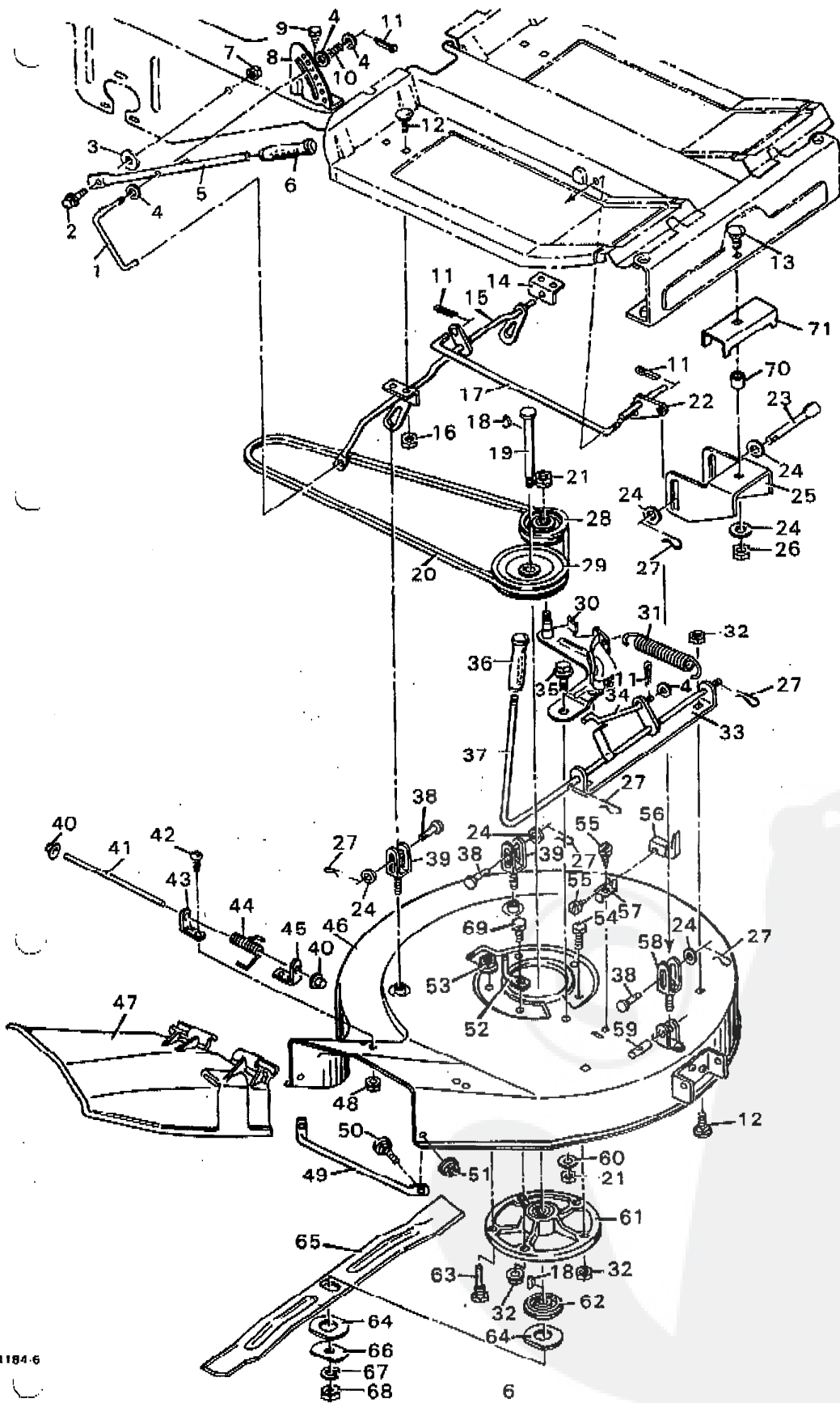
KEY NO.	PART NO.	DESCRIPTION	KEY NO.	PART NO.	DESCRIPTION
1	23427	Engine Base	36	165X2	Drive Idler Spring
2	1X45	Hex Bolt 5/16 18 5/8	37	23122Z	Drive Idler Assembly
3	23553Z	Chain Clamp	38	9X15Z	Shoulder Bolt
4	23456	L.H. Running Board Support	39	24713Z	Belt Guide Assembly
5	15X84	Flange Locknut 3/8-16	40	26X50	Screw
6	15X79	Flange Nut 5/16-18	41	23505Z	Stack Pulley Assembly
7	15X85	Flange Nut 3/8-16	42	10851Z	Washer
8	26X197	Screw	43	19X39	Shakeproof Washer
9	23455	R.H. Running Board Support	44	1X20	Hex Bolt 3/8-24X1
10	15X68Z	Flange Nut 3/8-16	45	11X7	Retainer Ring
11	23673	Frame Channel-Low Console	46	23470Z	Belt Guide-Trans. Pulley
-	23666	Frame Channel-High Console	47	23615	Transmission Pulley
12	24373	Valve Stem & Cap†	48	20613	Idler Pulley
13	11X3	Retainer Ring	49	37X5	Drive Belt
14	15X88	Flange Nut 5/16-18	50	165X11	Brake Spring
15	24995	Wheel & Tire-Low Console	51	21829Z	Parking Brake Lever
-	54034	Wheel & Tire-High Console	52	23340	Parking Brake Grip
-	24379	Tire Only†-Low Console	53	23120	Parking Brake Link
-	54019	Tire Only†-High Console	54	6X46	Shoulder Screw
-	24994E	Wheel Only†	55	20669	Clutch & Brake Rod
16	1X85	Hex Bolt 3/8-16X¾	56	23118	Brake Rod
17	20570Z	Bearing Retainer	57	30X20	Cotter Pin
18	24944	Rear Axle Bearing	58	17X32	Washer
19	21553	Square Key	59	2X53	Carriage Bolt 5/16-18X5/8
20	55028	Sprocket-45 Tooth	60	17X100Z	Washer
21	55000	Differential & Axle Unit	61	20545	Front Axle Beam
22	23544	Roller Chain	62	20709	Stop Clip
23	20730	Connecting Link	63	20572	Clutch & Brake Lever Clamp
24	19X4	Shakeproof Washer	64	20645	Clutch & Brake Lever
25	14X77	Acorn Nut	65	20639	Apron Support
26	20587	Spindle Bearing-Nylon	66	24976	L.H. Spindle Assembly
27	21071	Steering Support	67	24700	Tie Bar Assembly
28	30X49	Cotter Pin	68	24975	R.H. Spindle Assembly
29	17X87Z	Washer	69	24624	Front Wheel & Tire-Low Console
30	2X56	Carriage Bolt 3/8-16X3/4	-	24626	Front Wheel & Tire-High Console
31	20691	L.H. Running Mat	70	24626	Front Wheel Bearing*
32	21894	L.H. Running Board	71	21268	Grommet
33	20864	Lower Steering Post	72	21521	Washer
34	21893	R.H. Running Board			
35	20690	R.H. Rubber Mat			

†Included with Key No. 15.

*Included with Key No. 69.

NOTE: When ordering replacement parts specify the brand name of the tire to insure tire tread patterns match.

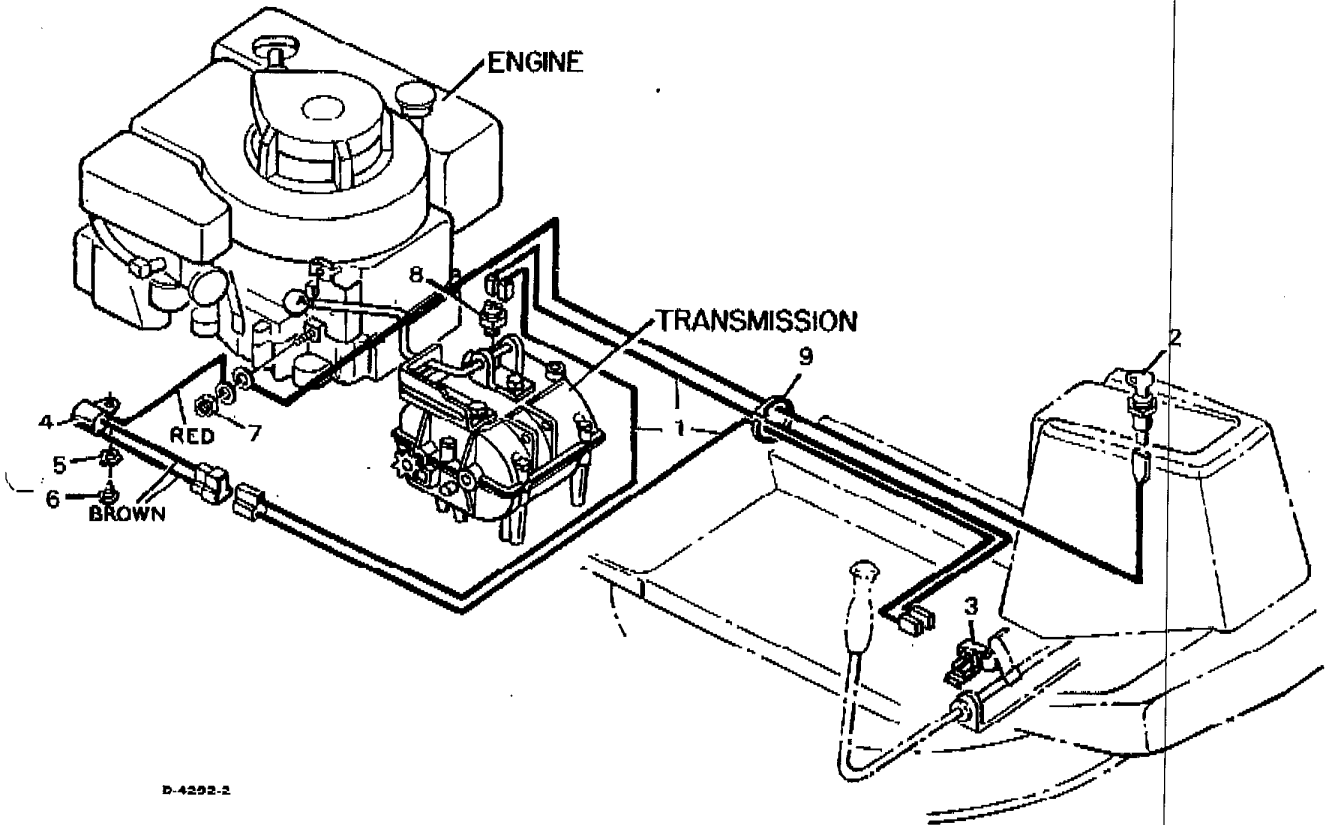
MOWER HOUSING - PARTS ILLUSTRATION



MOWER HOUSING—PARTS LIST

KEY NO.	PART NO.	DESCRIPTION	KEY NO.	PART NO.	DESCRIPTION
1	21886	Lifter Rod	35	9X15Z	Shoulder Bolt
2	9X14Z	Shoulder Bolt	36	20719	Grip
3	17X127Z	Washer	37	24671Z	Blade Drive Lever Assembly
4	17X46Z	Washer	38	21891	Clevis Pin
5	20658	Lever & Pin Assembly	39	24513	Rear Slotted Bracket
6	20718	Grip-Lifting Lever	40	28X23	Push-on-Cap
7	15X68	Flange Nut 3/8-16	41	21197Z	Deflector Rod
8	20636	Index Bracket	42	4X67	Screw #10-24X $\frac{1}{2}$
9	28X197	Screw	43	21181	Rear Deflector Bracket
10	20680	Lifter Spring	44	166X4	Torsion Spring
11	30X20	Cotter Pin	45	21186	Front Deflector Bracket
12	2X53	Carriage Bolt 5/16-18X5/8	46	24676	Blade Housing Assembly
13	2X68	Carriage Bolt $\frac{1}{2}$ -13X1 $\frac{1}{4}$	47	21151	Chute Deflector
14	21876	Rear Bracket	48	15X81	Locknut #10-24
15	24505	Lifter Rod Assembly	49	20581	Horn Guard
16	15X79	Flange Nut 5/16-18	50	2X39	Carriage Bolt $\frac{1}{4}$ -20X9/16
17	24500	Lifter Link	51	15X89	Flange Locknut $\frac{1}{4}$ -20
18	20062	Woodruff Key #6	52	23470Z	Belt Guide
19	20616	Jackshaft	53	15X79	Locknut 5/16-18
20	37X7	Blade Belt	54	1X84	Hex Nut 5/16-18X1
21	15X84	Flange Locknut 3/8-16	55	26X214	Screw
22	21880	Pivot Arm & Rod Assembly- Model 2-25002	56	24527	Limit Switch
--	21982	Pivot Arm & Rod Assembly- Pin	57	24503	Switch Bracket
23	21890Z	Pin	58	24522	Front Slotted Bracket
24	17X67Z	Washer	59	21892	Lifter Pin
25	24535	Front Suspension Bracket	60	10851Z	Washer
26	15X41	Hex Nut $\frac{1}{2}$ -13	61	24384	Jackshaft Housing Assembly
27	75336	Hair Pin	62	20617	Blade Adapter
28	20613	Idler Pulley	63	20619Z	Guide Bolt
29	20615	Jackshaft Pulley	64	21873Z	Washer
30	20671	Idler Bracket & Brake Assembly	65	20083	Blade
31	165X1	Blade Idler Spring	66	20663Z	Blade Washer
32	15X88	Flange Locknut 5/16-18	67	18X27	Lockwasher
33	20666	Front Scissor Bracket	68	15X72	Blade Mount Nut
34	20673Z	Blade Brake Rod	69	1X45	Hex Bolt 5/16-18X5/8
			70	24663Z	Spacer
			71	23674	Spacer

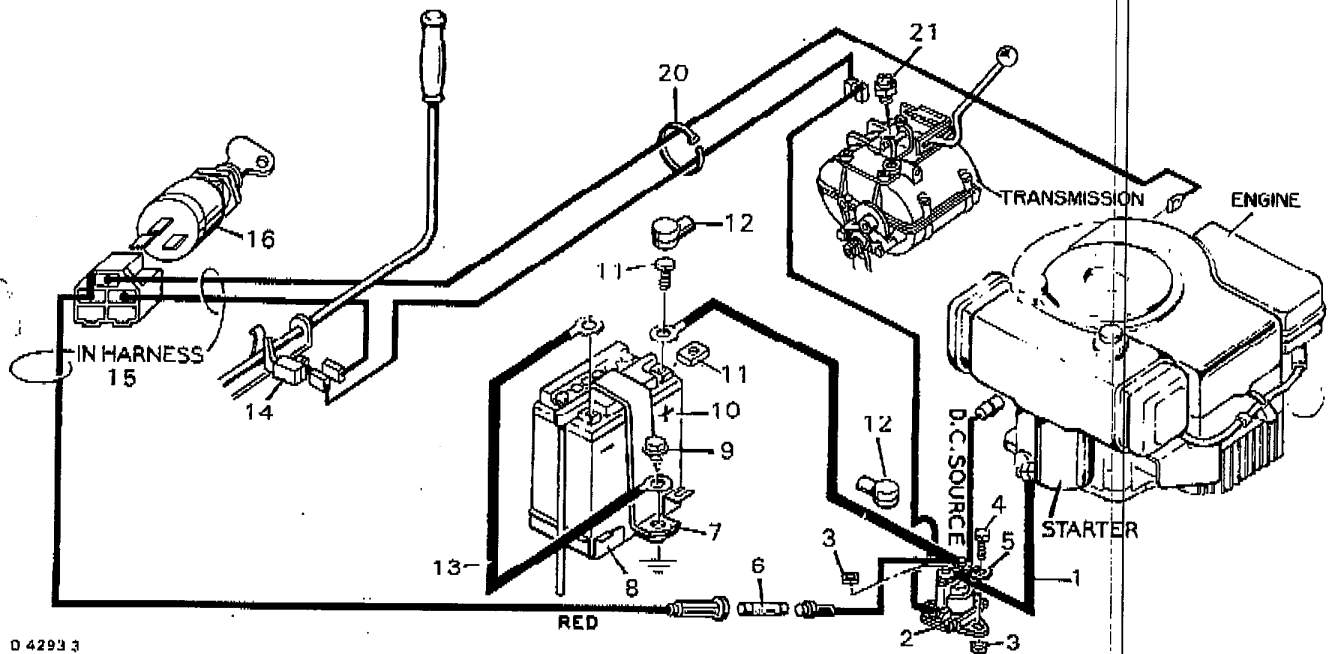
WIRING DIAGRAM



D-4292-2

KEY NO.	PART NO.	DESCRIPTION
1	24837	Wiring Harness
2	23665PA	Stop Switch & Key
*	20729	Key Only
3	24527	Limit Switch
4	21361	Control Module
5	26X185	Screw
6	19X1	Shakeproof Washer
7	15X49Z	Hex Nut #8-32
8	23479	Limit Switch
9	32618	Tie Strap

WIRING DIAGRAM (ELECTRIC START)



D 4293 3

KEY NO.	PART NO.	DESCRIPTION
1	24X12	Battery Cable-Red
2	24285	Solenoid
*	90565	Solenoid Cover
3	15X66	Nuts
4	1X38	Bolt 1/4"-20X5/8"
5	18X4	Washer
6	23752	Fuse-15 amp.
7	24598	Battery Retainer
8	23551	Battery Box
9	26X50	Screw
10	23581	Battery
*	23590	Battery Acid
11	402012	Battery Hardware
12	24196	Cable Boot
13	24X10	Battery Cable-Black
14	24527	Limit Switch
15	24949	Wiring Harness
16	21064PA	Key & Switch
20	32618	Tie Strap
21	23479	Transmission Limit Switch

* Not Illustrated