

# REPAIR PARTS BOOK

4  
31517 x 20

## RIDING MOWER 10/30 (76cm)

### REPAIR PART ORDERING INFORMATION

Use only manufacturer's authorized or approved replacement parts. The letter placed on the end of the part number denotes the type of finish for the part, C for chrome, Z for zinc, a PA for purchased assembly. It is important that you include this when ordering a part. Do not use attachments or accessories not specifically recommended for this unit. In order to obtain proper replacement parts you must supply the model number of your mower (see nameplate).

Replacement parts, with the exception of the engine, transmission, or transaxle parts, may be obtained from the store from which the unit was purchased. If you can not obtain parts or service through the store, then contact Murray Export Sales B.V., Baarerstrasse 75, 6300 Zug, Switzerland. Collect telephone calls will not be accepted.

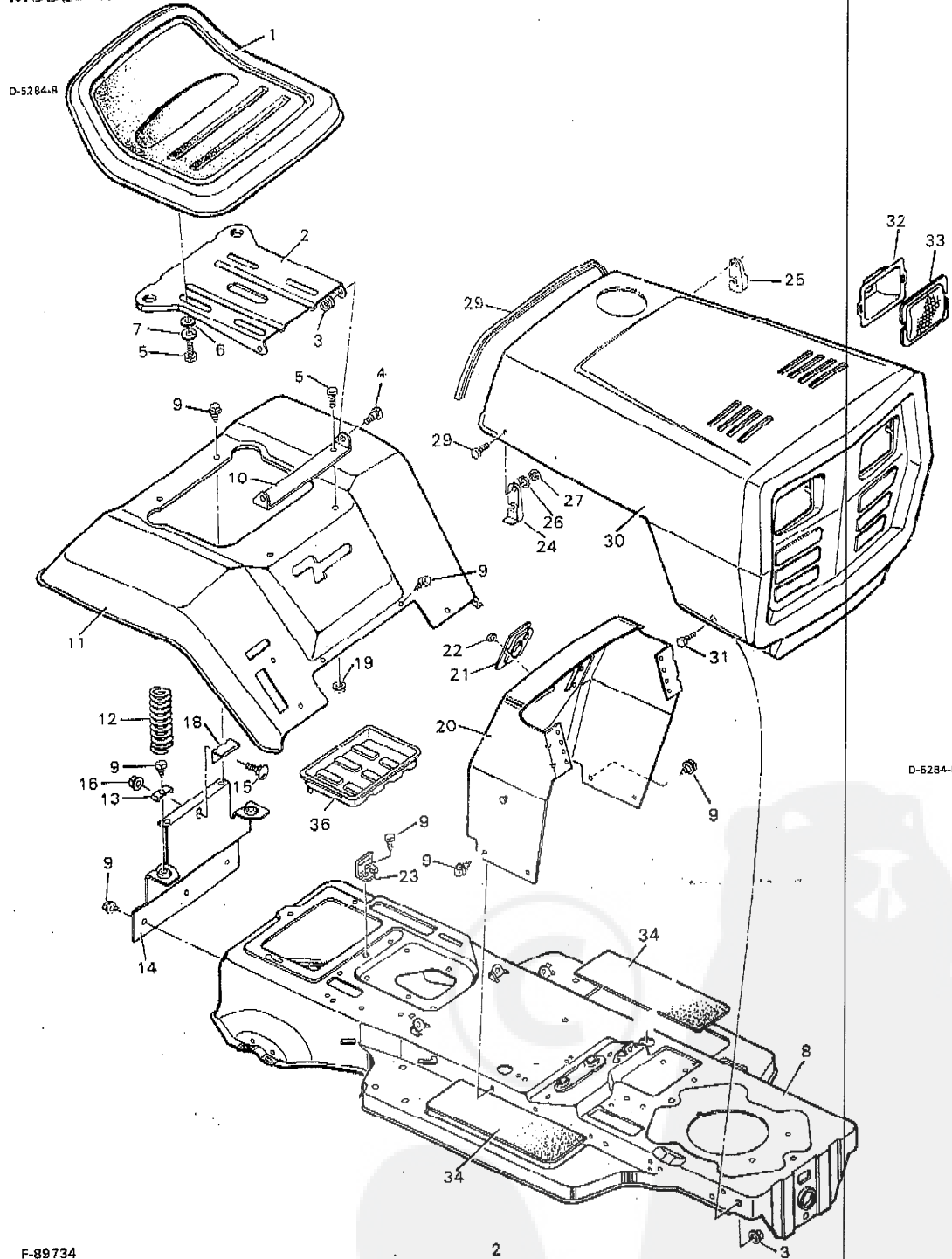
Briggs and Stratton engine parts, Tecumseh engine and transaxle parts, and J.B. Foote transmission parts are available from the authorized repair stations listed in the telephone directory or by following the procedures given on the individual parts warranty.

When ordering the following information is required:

(1) The Model Number; (2) Part Number; (3) Description; (4) Quantity.

MODEL NO. 9-31517x20

CHASSIS & HOOD



## MODEL NO. 9-31517x20

## CHASSIS &amp; HOOD

KEY NO.	DESCRIPTION	PART NO.
1	Seat	91450
2	Support, Seat	91044F200
3	Locknut, Flange	15x84
4	Bolt, Shoulder	9x17
5	Bolt, Hex	1x45
6	Washer	17x47Z
7	Lockwasher	18x16
8	Frame Channel	90001F200
9	Screw	26x49
10	Bracket, Seat Pivot	90031F200
11	Seat Deck	90182F200
12	Spring	164x17
13	Retainer, Spring	90014F200
14	Support, Seat Deck	90633F200
15	Bolt, Carriage	2x53Z
16	Locknut	15x76
18	Battery Clamp	90632Z
19	Locknut, Flange	15x88
20	Dashboard Assembly	90737F200
21	Bearing, Steering Post	90081
22	Screw	26x186
23	Battery Clip	55149
24	Latch, Right Hood *	90464Z
25	Latch, Left Hood *	90465Z
26	Washer *	17x17Z
27	Hex Nut *	15x81
28	Machine Screw *	4x20Z
29	Edge Trim *	90240
30	Hood & Grille Assembly	90468F200
31	Bolt, Shoulder	9x14Z
32	Reflector, Headlight	90009C
33	Lens, Headlight	90082
34	Mat	91900
36	Tray, Battery	91895
--	Assembly Parts Bag	91077
--	Instruction Book	F-89726
--	Repair Parts Book	F-89734

\* Part Number included with key no. 30.

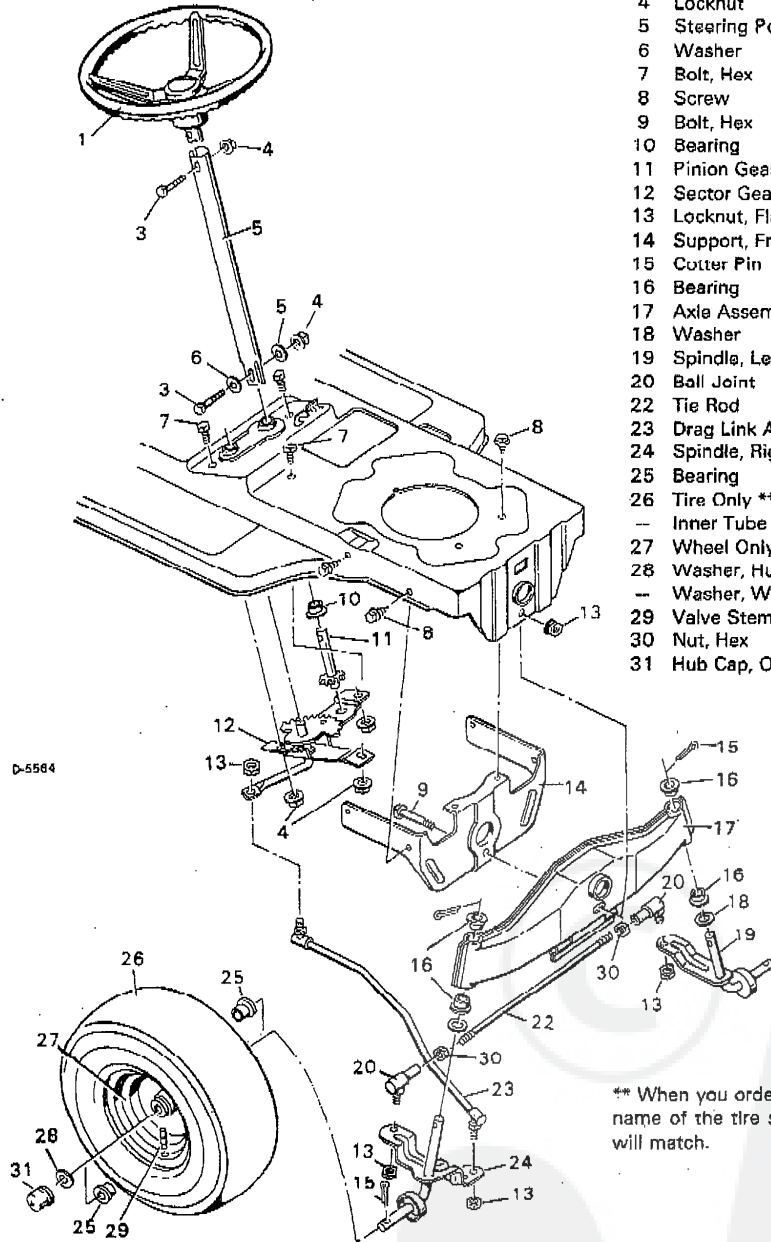
**MODEL NO. 9-31517x20**

**STEERING**

D-5250

D-5584

F-89734



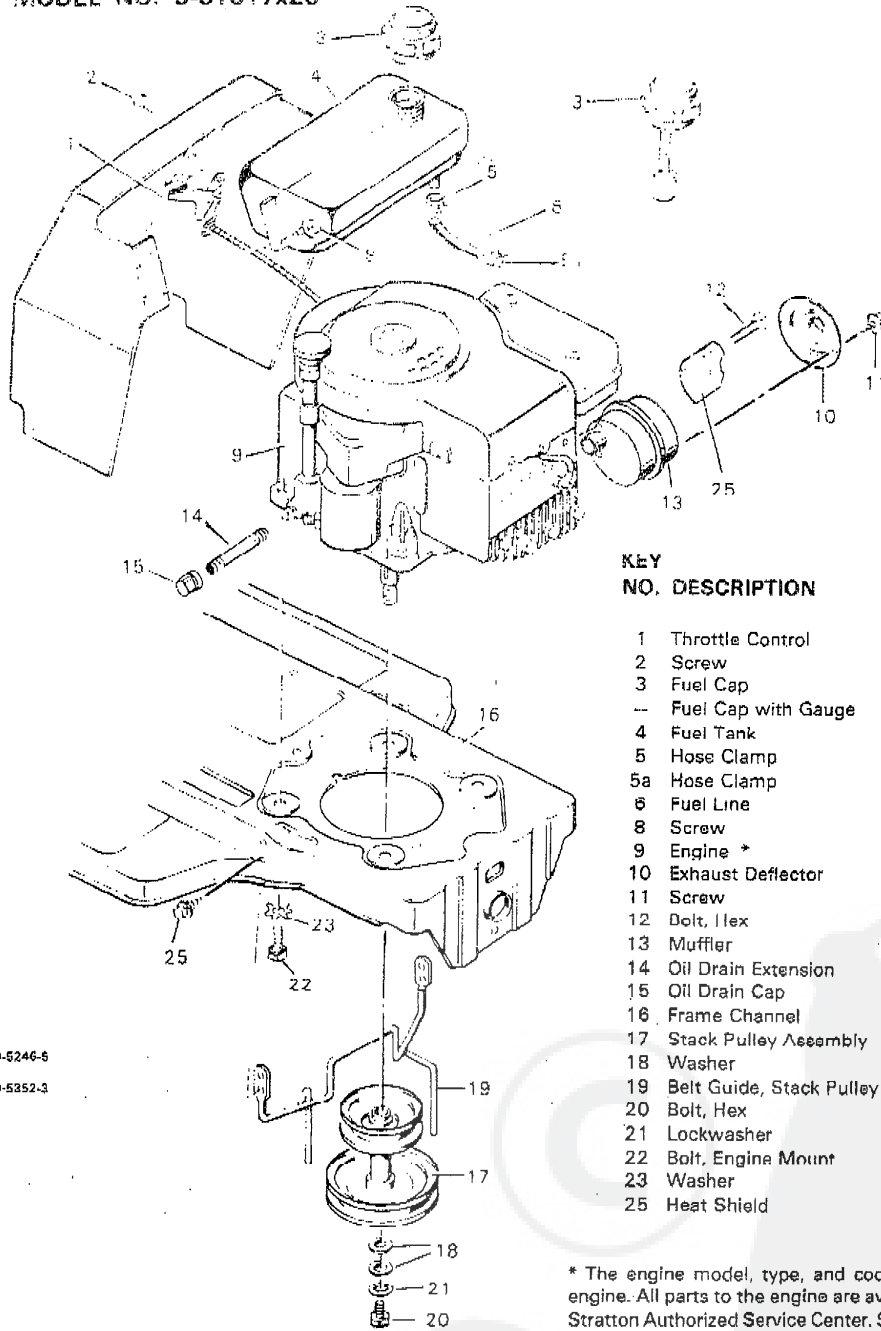
**KEY  
NO. DESCRIPTION**

KEY NO.	DESCRIPTION	PART NO.
1	Steering Wheel	91836
3	Bolt, Hex	1x102
4	Locknut	15x88
5	Steering Post	91444C
6	Washer	17x47Z
7	Bolt, Hex	1x45
8	Screw	26x49
9	Bolt, Hex	1x101
10	Bearing	9003b
11	Pinion Gear & Shaft	91445
12	Sector Gear Assembly	90025
13	Locknut, Flange	15x87
14	Support, Front Axle	90002F200
15	Cotter Pin	30x49
16	Bearing	90035
17	Axle Assembly	90034F200
18	Washer	17x113
19	Spindle, Left	91463F200
20	Ball Joint	21031
22	Tie Rod	21475T
23	Drag Link Assembly	91216F200
24	Spindle, Right	91462F200
25	Bearing	91334
26	Tire Only **	24407
-	Inner Tube	407046
27	Wheel Only	91635E804
28	Washer, Hub Caps Only	17x115Z
-	Washer, Without Hub Caps	17x83Z
29	Valve Stem & Cap	24373
30	Nut, Hex	15x61
31	Hub Cap, Optional	21662

\*\* When you order a tire, make sure to give the brand name of the tire so that the tread pattern on the tire will match.

MODEL NO. 9-31517x20

ENGINE MOUNT



KEY  
NO. DESCRIPTION

KEY NO.	DESCRIPTION	PART NO.
1	Throttle Control	91983
2	Screw	26x201
3	Fuel Cap	23711
—	Fuel Cap with Gauge	24064
4	Fuel Tank	23300
5	Hose Clamp	91174
5a	Hose Clamp	23713
6	Fuel Line	906/1
8	Screw	26x214
9	Engine	
10	Exhaust Deflector	23740 Z
11	Screw	26x203
12	Bolt, Hex	1x118
13	Muffler	90330
14	Oil Drain Extension	24066
15	Oil Drain Cap	21651
16	Frame Channel	90001F200
17	Stack Pulley Assembly	91557 Z
18	Washer	17x103
19	Belt Guide, Stack Pulley	90276 Z
20	Bolt, Hex	1x80
21	Lockwasher	19x35
22	Bolt, Engine Mount	25x6
23	Washer	19x8
25	Heat Shield	90332

\* The engine model, type, and code numbers are on the engine. All parts to the engine are available from a Briggs & Stratton Authorized Service Center. See "Engines, Gasoline" or "Gasoline Engines" in the yellow pages of the telephone directory.

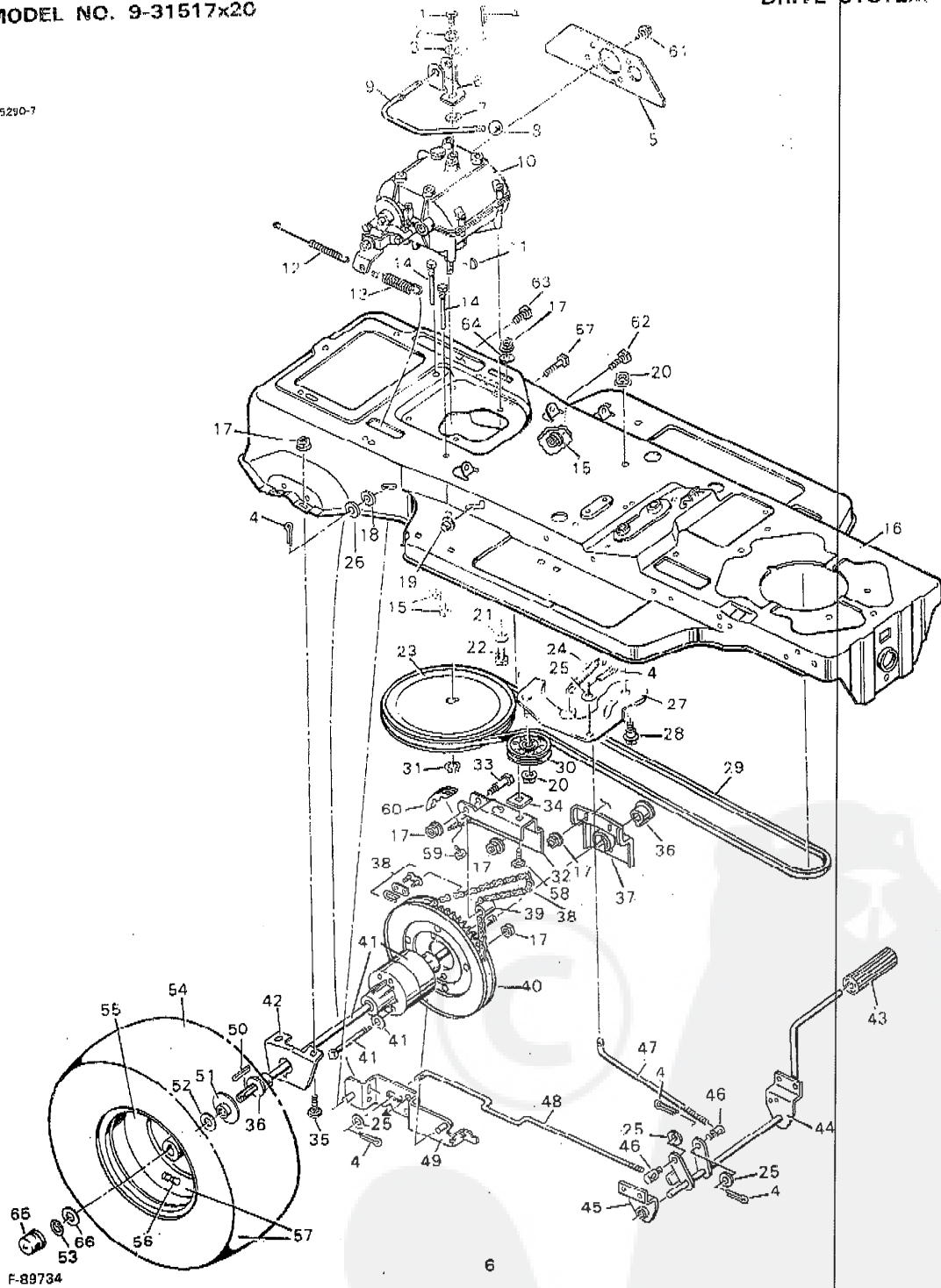
D-5246-6  
D-5352-3

F-89734

MODEL NO. 9-31517x20

DRIVE SYSTEM

D-5290-7



F-89734

## MODEL NO. 9-31517x20

## DRIVE SYSTEM

KEY NO.	DESCRIPTION	PART NO.	KEY NO.	DESCRIPTION	PART NO.
1	Bolt, Hex	1x82	34	Spacer	90177Z
2	Lockwasher	10x32	35	Bolt, Carriage ***	2x53
3	Washer	17x37Z	36	Bearing, Axle	55597
4	Pin, Cotter	30x20	37	Plate, Left Bearing	90678Z
5	Chain Guide	90681F200	38	Chain and Link	90348
6	Shifter Yoke	90183Z	39	Roller ***	90176
7	Washer	17x134	40	Sprocket, 50 Tooth	55621
8	Knob, Shift Lever	20739	41	Differential, Peerless Model 100-011 *	-----
9	Lever, Shift	90192Z	42	Plate, Right Bearing	90346Z
10	Transmission, Peerless Model 754-B *	-----	43	Pedal, Clutch/Brake	21544E701
11	Woodruff Key #9	2069 /	44	Lever Assembly	90766F200
12	Spring, Extension	165x34	45	Bracket, Support	90013F200
13	Spring, Extension	165x7	46	Nut, Adjustable	21920
14	Bolt, Belt Guide	20619	47	Rod, Clutch	90066Z
15	Locknut, Flange	15x79Z	48	Rod, Brake	90067Z
16	Frame Channel	90001F200	49	Brake Link Assembly	90068F200
17	Locknut, Flange ***	15x88	50	Key, Square	21553
18	Washer	17x47Z	51	Washer, Extruded	23041Z
19	Retainer, Cap	28x48	52	Washer	17x113
20	Nut, Flange	15x84	53	E-Ring	11x3
21	Lockwasher	18x15	54	Tire Only **	24393
22	Bolt, Hex	1x91		Tube, Tire	407048
23	Pulley, Drive	91170	55	Wheel Only	91626E804
24	Spring, Extension	165x39	56	Valve Stem and Cap	24373
25	Washer	17x53Z	57	Bolt, Shoulder	9x32
26	Washer	17x116Z	58	Bolt, Carriage	2x72
27	Bracket Assembly, Idler	90011Z	59	Screw ***	26x214
28	Bolt, Shoulder	9x12	60	Guide Block ***	23403
29	Belt, Drive	37x27	61	Screw	25x4
30	Pulley, Idler	91179	62	Bolt, Hex	1x84
31	Ring, Retainer	11x7	63	Bolt, Hex	1x45
32	Bracket, Chain Idler	90480F200	65	Hub Cap, Optional	21662
33	Bolt, Shoulder ***	9x22	66	Washer, Hub Caps Only	17x115

\* Parts are available from a Tecumseh Authorized Service Center. See "Engines, Gasoline" or "Gasoline Engines" in the yellow pages of the telephone directory.

\*\* When you order a tire, make sure to give the brand name of the tire so that the tread pattern on the tire will match.

\*\*\* Part is also included with key no. 32.





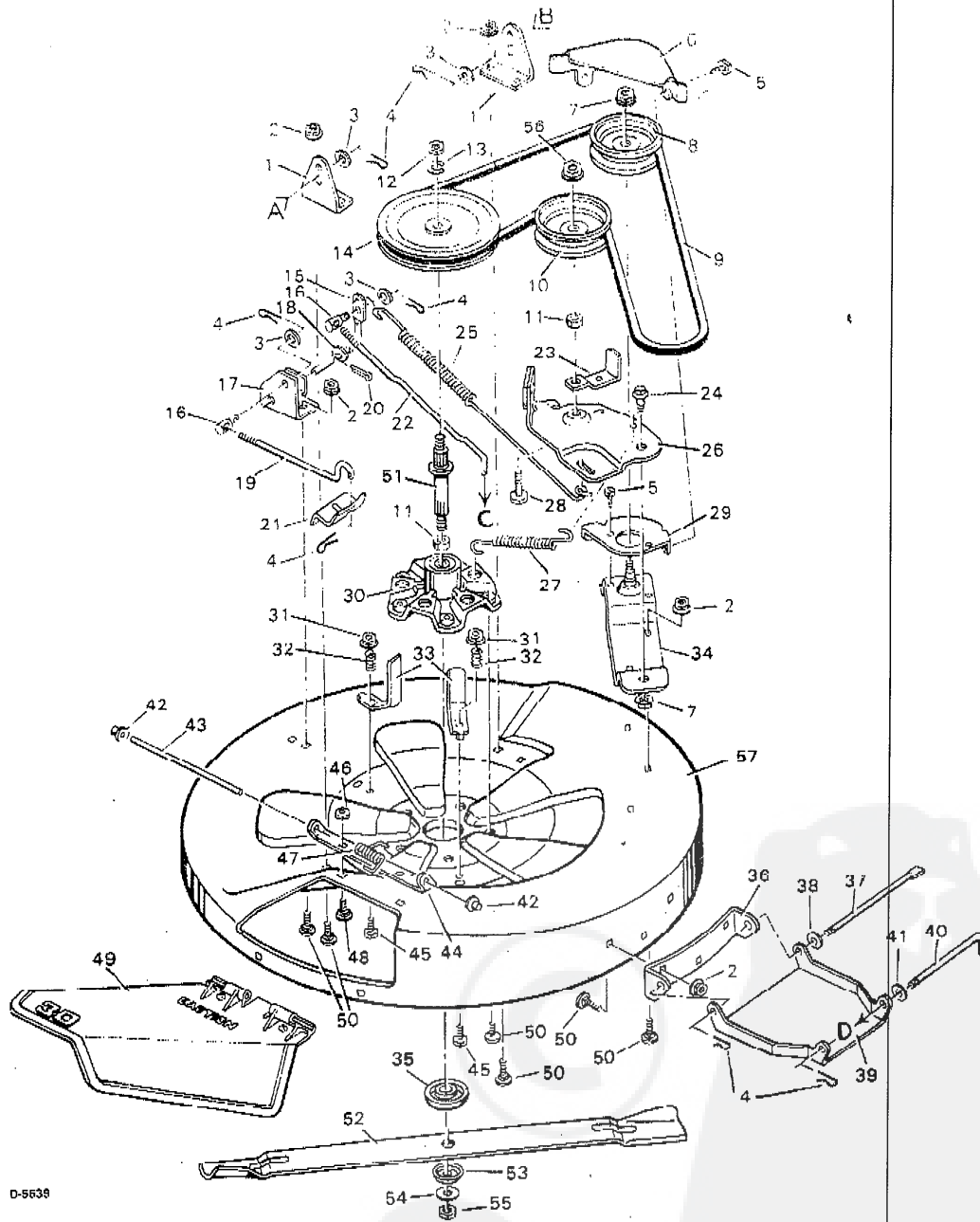
MODEL NO. 9-31517x20

WIRING DIAGRAM

KEY NO.	DESCRIPTION	PART NO.
1	Battery Type U1-3	91414
2	Electrolyte (Battery Acid)	55702
3	Battery Caps	400262
4	Bolt, Hex	1x38
5	Locknut	15x66
6	Battery Cable, Black	24x9
7	Screw	26x49
8	Fuse	54212
9	Holder, Fuse	407078
10	Ammeter Assembly	90729
11	Ignition Switch	21064
12	8a Key Only	20729
13	Light Switch	90647
14	Wire Harness	250x2
15	Switch, Seat	91031SE
16	Screw	26x233
17	Solenoid	24285
18	13a Cover, Solenoid	56049
19	Switch, Limit	24273
20	15 Light Socket Assembly	90155
21	Washer, Light Socket	90228
22	Headlight Bulb	90084
23	18 Wiring Harness	250x1
24	19 Switch, PTO	91299
25	20 Tie Strap	32618
26	21 Nut, Hex	15x105
27	22 Washer, Star	19x40
28	23 Cover, Seat Switch	56062
29	24 Screw	26x159

MODEL NO. 9-31517x20

MOWER HOUSING



D-5639

F-89734

**MODEL NO. 9-31517x20**

**MOWER HOUSING**

KEY NO. DESCRIPTION	PART NO.	KEY NO. DESCRIPTION	PART NO.
1 Bracket, Lifter	91180E701	30 Housing, Mandrel	55962E701
2 Nut, Hex	15x79Z	31 Nut, Locknut	15x88
3 Washer	17x53Z	32 Spring, Compression	164x1
4 Pin, Hair	31x4	33 Belt Guide	91189Z
5 Screw	26x214	34 Idler Support	91191F701
6 Cover, Pulley	91188E701	35 Adapter, Blade	91926
7 Locknut	15x84	36 Bracket, Front Hanger	91183E701
8 Pulley, Idler	90315	37 Rod, Hanger	90107Z
9 Belt, Blade Drive	37x59	38 Washer	17x57Z
10 Pulley, Idler	90118	39 Hanger, Front	90232E701
11 Spacer, Bearing	91925	40 Pin, Pull	90827Z
12 Locknut	15x101	41 Washer	17x122Z
13 Lockwasher	18x33	42 Cap, Push On	28x23
14 Pulley, Splined	91951	43 Rod, Deflector	21197Z
15 Lever, Pivot	91182Z	44 Bracket, Deflector	55963E701
16 Nut, Adjustable	21920	45 Bolt, Hex	1x75
17 Bracket, Rear Support	91184E701	46 Nut, Locknut	15x43
18 Washer	17x102Z	47 Spring, Torsional	166x4
19 Link, Deck	90261Z	48 Bolt, Carriage	2x58
20 Pin, Cotter	30x20	49 Deflector, Chute	55971
21 Retainer, Link	90262Z	50 Bolt, Carriage	2x53
22 Rod, Blade Control	91186Z	51 Mandrel, Splined	91921
23 Guide, Belt	91195E701	52 Blade	56060 HT
24 Bolt, Shoulder	9x12	53 Washer, Belleville	17x166
25 Spring, Extension	165x69	54 Washer, Hardened	17x165
26 Idler Assembly	91193E701	55 Nut, Hex	15x100
27 Spring, Extension	165x70	56 Nut, Hex	15x41
28 Bolt, Hex	1x127	1-57 Mower Housing, Complete *	403226
29 Plate, Shield Mounting	91187F701		

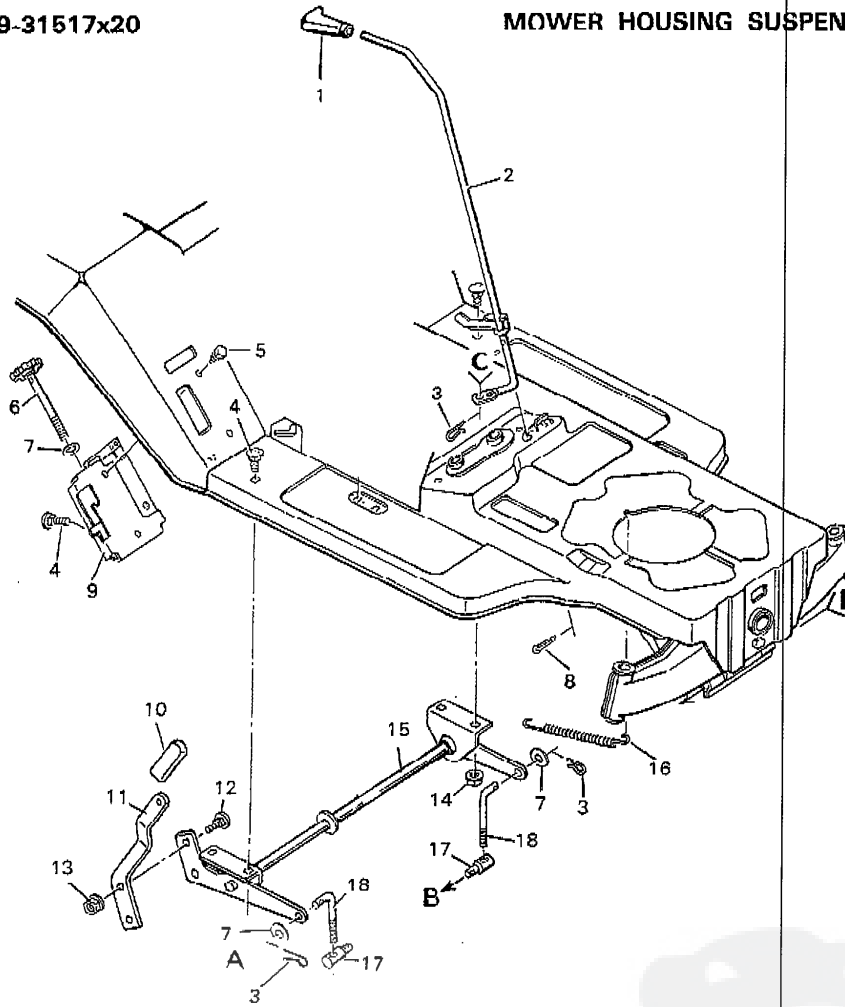
Base Mower Housing  
M119469E701

\* The complete mower housing includes Key Numbers 1-57 on this page and also the parts shown with an asterisk \* on the MOWER HOUSING SUSPENSION page.

**MODEL NO. 9-31517x20**

**MOWER HOUSING SUSPENSION**

D-5467-3



**KEY  
NO. DESCRIPTION**

- 1 Grip, Blade Engagement Control
- 2 Lever, Blade Engagement Control
- 3 Hair Pin \*
- 4 Bolt, Carriage
- 5 Screw
- 6 Adjuster Screw Assembly
- 7 Washer \*
- 8 Cutter Pin
- 9 Bracket Assembly, Adjuster
- 10 Grip, Lifter Handle

**PART  
NO.**

- 20476
- 90030Z
- 31x4
- 2x64
- 26x49
- 90078Z
- 17x53Z
- 30x20
- 404063
- 91573

**KEY  
NO. DESCRIPTION**

- 11 Handle
- 12 Bolt, Carriage
- 13 Locknut
- 14 Nut, Hex
- 15 Lifter Assembly
- 16 Spring
- 17 Nut, Adjustable \*
- 18 Rod, Adjuster \*

**PART  
NO.**

- 90800F200
- 2x57
- 15x84
- 15x79Z
- 90826F200
- 165x32
- 21920
- 23704Z

\* Parts that have an asterisk \* in the description are included with the complete mower housing. See the parts list for the mower housing.