

OWNER'S MANUAL
32" - 8 H.P. RIDING MOWER
MODELS 3208-0200 & 3208-0300

WARRANTY

ONE YEAR LIMITED WARRANTY

For one (1) year from date of purchase by the first consumer for residential use (thirty (30) days commercial use), Western International Incorporated warrants that it will replace free of charge, including labor, any original part of any Western International Incorporated product found to be defective by any authorized Service Dealer or the factory, except the battery which is warranted for ninety (90) days from date of purchase.

This warranty does not cover engine, transmission, transaxle or differential (these items are covered by their manufacturer's own warranty). This warranty does not cover parts that have failed due to normal wear or parts that have failed subject to misuse or abuse. Transportation of the unit or part to and from an authorized Service Dealer or the factory is the responsibility of the owner.

A step by step explanation as to what procedure should be followed for this Warranty is:

1. If a part becomes defective, contact the store where the unit was purchased for the name and address of the authorized Service Dealer nearest to you.
2. If you cannot locate an authorized Service Dealer, write Service Department of Western International Incorporated for the name and address of the authorized Service Dealer in your area or call the Service Department at 1-800-247-7464 (outside Iowa), 1-515-265-3461 (Iowa).
3. Return the defective product, along with proof of purchase to such authorized Service Dealer for replacement of any defective part where covered by this warranty.

There is no other express warranty. Implied warranties, including those of merchantability and fitness for a particular purpose are limited to one (1) year from date of purchase. Liability for incidental or consequential damages are excluded.

Some states do not allow limitations on how long an implied warranty lasts, so the above limitation may not apply to you. Some states do not allow the exclusion of incidental or consequential damages, so the above exclusion may not apply to you. This warranty gives you specific legal rights, and you may have other rights which vary from state to state.

Western International Incorporated P.O. Box 377 Des Moines, Iowa 50302

UNIT PARTS AND SERVICE

This manual contains repair parts information and instructions for safety. Read the operator's manual carefully and completely so that you will know proper assembly, use and care of your unit. Fill in and mail the registration card packed with the unit. For service other than covered in operator's manual, contact an authorized service dealer. A nationwide parts and service organization has been established to provide locally available parts and service. A list of authorized parts distributors has been included in this manual. When ordering repair parts, always give the following information: 1. The Part Name; 2. The Part Number; 3. The Quantity desired; 4. The Full (eight digit) Model Number of the unit. The model number will be found on a plate attached to the unit.



Look for this symbol. It means - ATTENTION! BECOME ALERT! A HAZARD TO OPERATOR, BYSTANDERS, PROPERTY OR EQUIPMENT MAY EXIST.

WESTERN INTERNATIONAL INCORPORATED
P.O. BOX 377
DES MOINES, IOWA 50302



OPERATIONAL PRECAUTIONS

THESE INSTRUCTIONS ARE FOR YOUR PROTECTION. PLEASE READ THEM CAREFULLY.

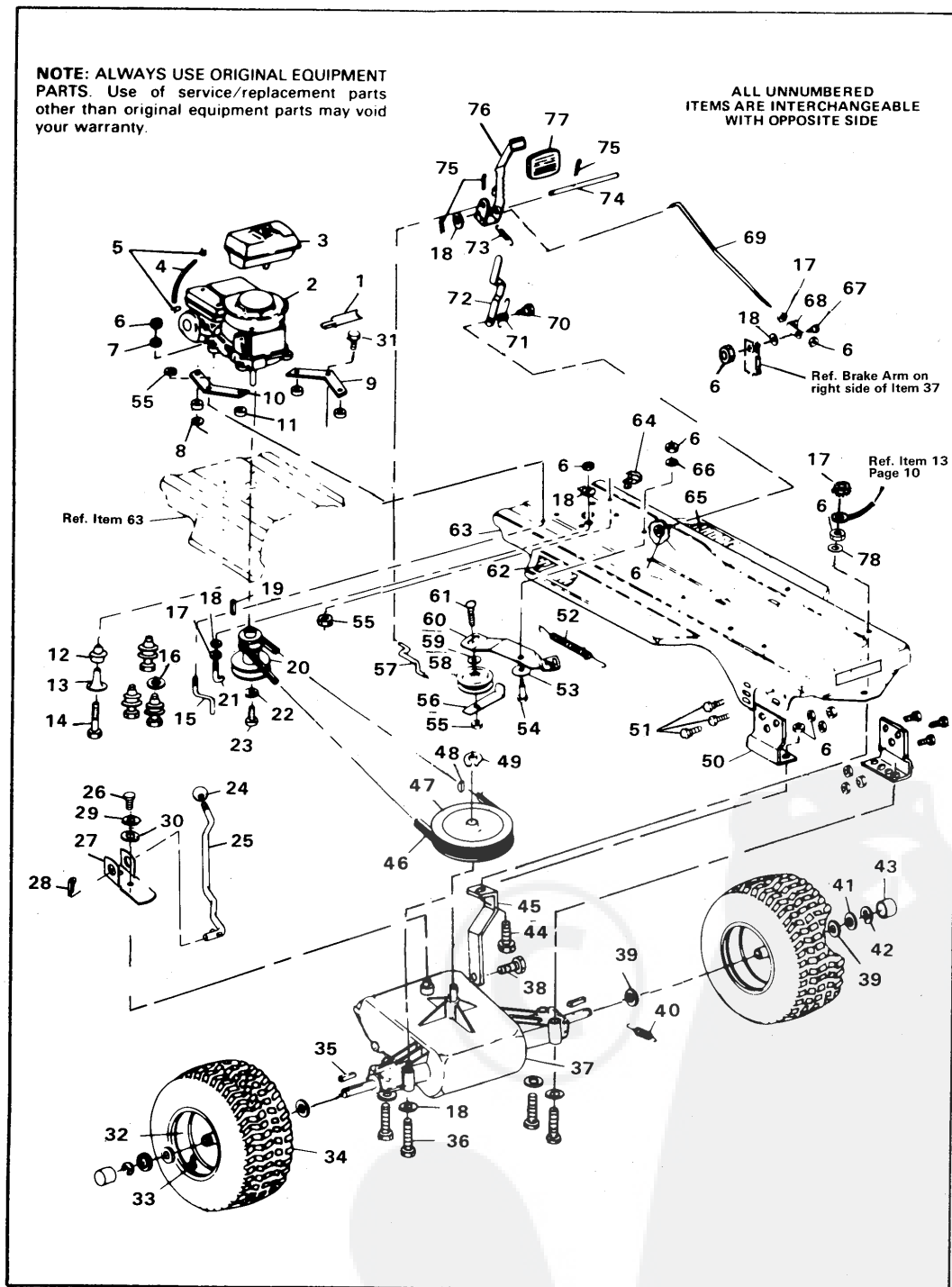


1. Know the controls and how to stop quickly. READ THIS OPERATOR'S MANUAL and instructions furnished with attachments.
2. Wear safety glasses or eye shields when assembling or operating riding mower.
3. Do not allow children to operate the machine. Do not allow adults to operate it without proper instruction.
4. Do not carry passengers. Do not mow when children and others are around. Disengage power to blade(s) or attachment(s) and stop the engine while others are in the vicinity of the mower.
5. Battery fluid (electrolyte) is an ACID and is extremely dangerous. Do not smoke while servicing the battery. Do not service battery near an open flame or spark.
6. Handle gasoline with care, it is highly flammable.
 - A. Use approved gasoline container.
 - B. Never remove the fuel cap of, or add gasoline to, a running or hot engine, or an engine that has not been allowed to cool for several minutes after running. Never fill the tank indoors and always clean up spilled gasoline immediately.
 - C. Do not smoke while filling fuel tank.
 - D. Do not run the engine indoors. Open doors if engine must be run in garage. Exhaust fumes contain CARBON MONOXIDE, an ODORLESS and DEADLY GAS.
7. Check fuel supply before each use allowing space for expansion as the heat of the engine and/or sun can cause gasoline to expand.
8. Do not operate mower when barefooted. Always wear substantial footwear, preferably steel-toed shoes. Do not wear loose fitting clothing that could get caught in moving parts.
9. Clear the work area of objects (wire, rocks, etc.) which might be picked up and thrown. Check all controls for proper function.
10. Disengage all attachment clutches, shift to neutral, and set parking brake before attempting to start the engine (motor). When starting engine equipped with a pull starter, stand firm and make sure your feet are well away from the blade(s).
11. Disengage power to blade(s) or other attachment(s) and stop the engine (motor) before leaving the operator's position. Always dismount from left side.
12. Disengage power to blade(s) or other attachment(s) and stop the engine (motor) before making any repairs or adjustments.
13. Disengage power to blade(s) or other attachment(s) when transporting or not in use.
14. Take all possible precautions when leaving the vehicle unattended, such as disengaging power to blade(s) or attachment(s), lower the attachment(s), setting the parking brake, stopping the engine (motor), and removing the key.
15. Do not stop or start suddenly when going uphill or downhill. Mow up and down the face of steep slopes; never across the face.
16. Reduce speed and exercise extreme caution on slopes and in sharp turns to prevent tipping or loss of control. Be especially cautious when changing direction on slopes.
17. Stay alert for holes, rocks, and roots in the terrain and other hidden hazards. Keep away from drop-offs. Never operate your riding mower on wet or slippery grass or at a speed which could cause a skid. Exercise care when mowing around a fixed object to prevent the blade(s) from striking it. Never deliberately run over any foreign object.
18. Always disengage blade control lever before attempting to remove the mower from a hole or other obstruction.
19. Use care when pulling loads or using heavy equipment.
 - A. Use only approved drawbar hitch points.
 - B. Limit loads to those you can safely control.
 - C. Do not turn sharply. Use care when backing.
 - D. Use counterweight(s), wheel weights or tire chains when suggested in attachment(s) instructions.
20. Watch for traffic when crossing or near roadways.
21. When using attachment(s), never direct discharge of material toward bystanders nor allow anyone near the vehicle while in operation.
22. Keep the vehicle and attachments in good operating condition, and keep safety devices in place and in working condition.
23. Keep all nuts, bolts, and screws tight to be sure the equipment is in safe working condition.
24. Never store the equipment with gasoline in the tank inside a building where fumes may reach an open flame or spark. Allow the engine to cool before storing in any enclosure.
25. To reduce fire hazard, keep the engine free of grass, leaves, or excessive grease.
26. The vehicle and attachments should be stopped and inspected for damage after striking a foreign object, and the damage should be repaired before restarting and operating the equipment.
27. Do not change the engine governor settings or overspeed engine.
28. When using the vehicle with mower, proceed as follows:
 - A. Mow only in daylight or in good artificial light.
 - B. Never make a cutting height adjustment while the engine (motor) is running if the operator must dismount to do so.
 - C. Shut the engine (motor) off when removing the grass catcher or unclogging chute.
 - D. Check the blade mounting bolts for proper tightness at frequent intervals.
29. Under normal usage, the grass catcher bag material is subject to deterioration and wear. Check bag frequently for deterioration and wear and replace worn bags. Check that replacement bags comply with the original manufacturer's recommendations or specifications.
30. Disengage power to mower before backing up. Do not mow in reverse unless absolutely necessary and then only after careful observation of the entire area behind the mower.

32" RIDING MOWER MODELS 3208-0200 & 3208-0300

NOTE: ALWAYS USE ORIGINAL EQUIPMENT PARTS. Use of service/replacement parts other than original equipment parts may void your warranty.

ALL UNNUMBERED ITEMS ARE INTERCHANGEABLE WITH OPPOSITE SIDE



32" RIDING MOWER MODELS 3208-0200 & 3208-0300

ALWAYS GIVE THE FOLLOWING INFORMATION WHEN ORDERING REPAIR PARTS:

1. The PART NUMBER; 2. The PART NAME; 3. QUANTITY DESIRED; 4. The MODEL NUMBER (As shown on Model Plate)
SEND PART ORDERS AS PER INSTRUCTIONS ON THE FRONT PAGE

YOUR UNIT IS RIGHT HAND (RH) OR LEFT HAND (LH) AS YOU STAND BEHIND IT.

DO NOT USE KEY NUMBERS WHEN ORDERING REPAIR PARTS, ALWAYS USE PART NUMBERS.

All replacement parts will be supplied in current production colors or in a neutral color.

A handling fee is applicable to small parts orders.

Key No.	Part No.	Description	Key No.	Part No.	Description
1	54873	Trough, Oil Drain	41	42815	Flatwasher
2	Engine	§See Footnote Below	42	36625	"E" Ring
3	48812	Gas Tank	43	40394	Hub Cap
4	48049	Gas Line	44	122017	*Screw, Hex Hd, 5/16-18 x 1 In.
5	41008	Clip, Gas Line	45	54713	Bracket, Stabilizer
6	9413447	Locknut, Hex, 5/16-18 Thd	46	54758	V-Belt
7	120638	*Lockwasher, Split, 5/16 In.	47	55520	Pulley, Transaxle
8	138542	Star Washer	48	3021	Key, Woodruff No. 606
9	43954	Bracket, Vibration, R.H.	49	22053	Retaining Ring
10	43955	Bracket, Vibration, L.H.	50	53768	Bracket, Axle
11	44015	Mount, Load Carrying, Upper	51	120228	*Screw, Hex Hd, 5/16-18 x ¾ In.
12	44016	Mount, Rebound, Lower	52	49276	Spring, Main Drive
13	42273	Insert, Steel, Vibration Mount	53	4107	Washer
14	180112	*Screw, Hex Hd, 5/16-18 x 2¾ In.	54	41890	Shoulder Bolt
15	50653	Belt Guide, Blade Drive	55	9413534	Locknut, Hex, ¾-16 Thd
16	138485	Star Washer	56	39659	Belt Retainer
17	271184	*Nut, Hex Keps, 5/16-18 Thd	57	43980	Rod, Clutch
18	120386	*Flatwasher, ¼ In.	58	35374	Pulley, Idler
19	33200	Key, Engine Pulley	59	274517	*Flatwasher, 25/64 In.
20	53681	Pulley, Engine	60	53762	Idler Arm
21	49896	Belt Guide, Trans. Drive Belt	61	45892	Carriage Bolt, ¾-16 x 1½ In.
22	120383	*Lockwasher, Split, 7/16 In.	62	55509	Foot Pad, Left
23	123567	*Screw, Hex Hd, 7/16-20 x 1 In.	63	54749	Main Frame
24	55514	Knob, Gear Shift	64	54888	Retainer, Wire
25	55526	Shift Lever	65	55510	Foot Pad, Right
26	56255	Screw, Nylock, ¼-28 x ¾ In.	66	45602	Washer
27	56256	Shift Bracket	67	20507	Shoulder Bolt
28	137185	*Pin, Cotter, ½ x 1 In.	68	54723	Bracket, Brake Rod
29	54569	Washer, ¼ In.	69	54715	Rod, Brake
30	50618	Washer, ½ In.	70	40974	Shoulder Bolt, Parking Brake
31	180120	*Screw, Hex Hd, ¾-16 x ¾ In.	71	43968	Spring, Parking Brake
32	36182	Wheel	72	50980	Arm, Parking Brake
33	24167	Valve Stem	73	50562	Spring, Clutch Pedal
34	42091	Tire	74	43956	Shaft, Brake-Clutch Pedal
35	39628	Key, 3/16 x 3/16 x 2½ In.	75	121222	*Pin, Cotter, 3/32 x ¾ In.
36	122077	*Screw, Hex Hd, 5/16-18 x 2½ In.	76	55722	Brake Pedal Assembly
37	Transaxle	†Peerless 3 Speed, Model 900	77	48761	Rubber Pad, Brake-Clutch Pedal
38	35498	Screw, Hex Wa Tap, 5/16-18 x ¾ In.	78	62836	Operator's Manual (Not Illustrated)
39	642	Flatwasher	79	62838	Repair Parts Manual (Not Illustrated)
40	35410	Spring, Brake Return			

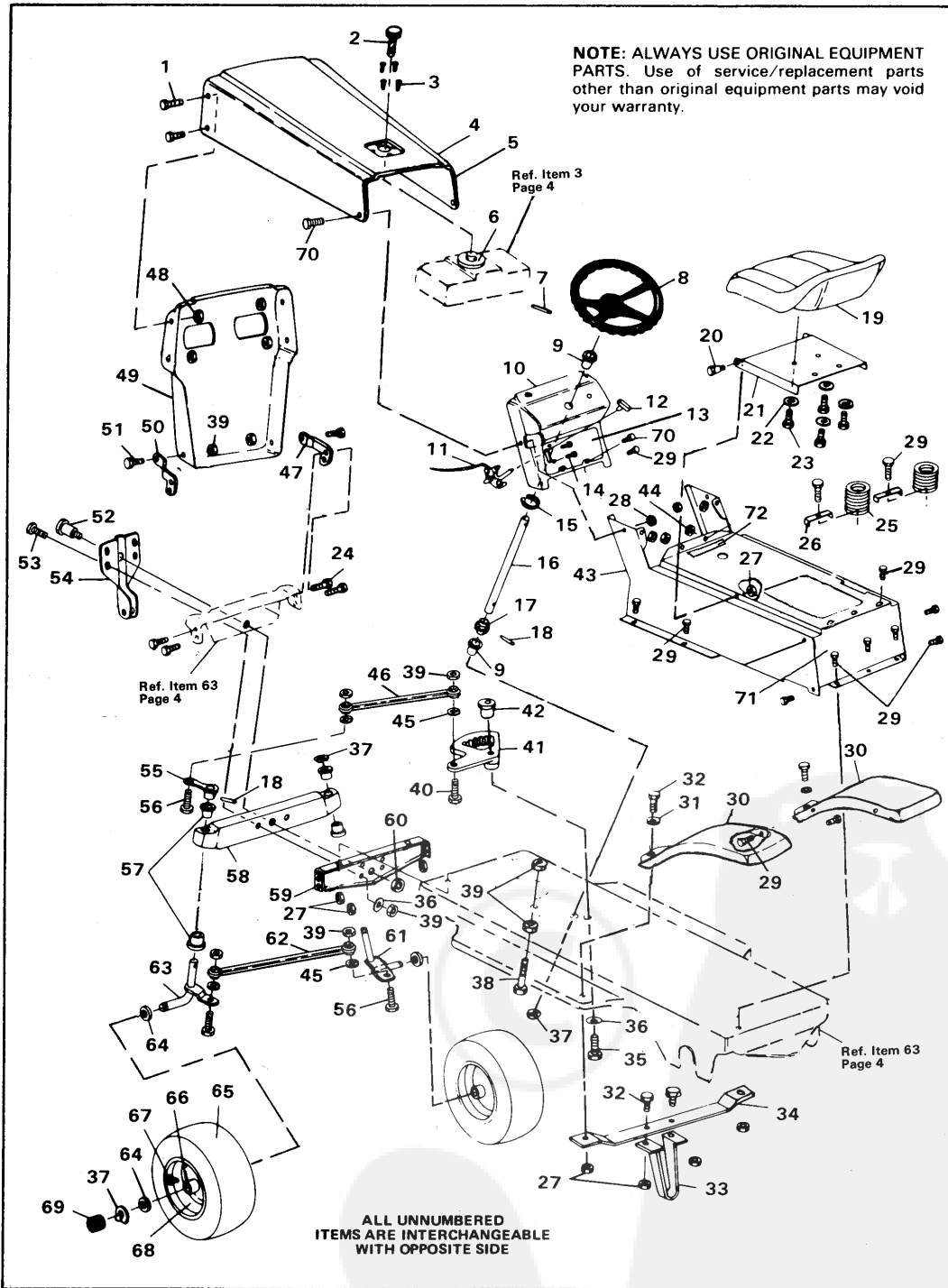
*Standard Hardware Items - May Be Purchased Locally.

†Contact Tecumseh/Peerless authorized service dealer for parts and warranty.

§Contact Engine Manufacturer's authorized service dealer (See Engine Manual) for parts and warranty.

Revised 3/25/86

32" RIDING MOWER MODELS 3208-0200 & 3208-0300



32" RIDING MOWER MODELS 3208-0200 & 3208-0300

Key No.	Part No.	Description	Key No.	Part No.	Description
1	273243	Screw, Hex Hd, 1/4-20 x 3/4 In.	37	36625	"E" Ring
2	50988	Gas Gauge	38	49930	Upstop Bolt
3	49050	Screw, Plastite, 1/4-10 x 3/4 In.	39	9413534	Locknut, 3/8-16 Thd.
4	49615	Hood	40	120918	*Screw, Hex Hd, 3/8-16 x 1 1/2 In.
5	45608	Edging, Hood	41	44010	Sector Gear
6	54885	Pad, Vibration	42	44011	Shoulder Bolt, Sector Gear
7	456836	Spring Pin, 1/4 x 2 1/4 In.	43	56226	Console Assembly
8	55633	Steering Wheel	44	9424215	Locknut, Hex, 1/4-20 Thd.
9	54902	Bearing, Steering	45	120382	*Lockwasher, Split, 3/8 In.
10	55564	Dash Assembly	46	55513	Drag Link Assembly
11	50117	Lever, Throttle Control	47	49040	Bracket, Grille Support, R.H.
12	39486	Knob, Throttle Control Lever	48	50352	Locknut, Wide Flange 1/4-20 Thd.
13	70060	Decal, Lower Dash	49	56354	Grille
14	35287	Screw, Taptite, No. 8-32 x 3/8 In.	50	49041	Bracket, Grille Support, L.H.
15	39492	Retaining Ring	51	120233	*Screw, Hex Hd, 3/8-16 x 1 In.
16	44008	Shaft, Steering	52	50720	Shoulder Bolt, Axle Pivot
17	44009	Pinion Gear	53	122201	*Screw, Hex Hd, 3/8-16 x 2 3/4 In.
18	454565	Roll Pin	54	56261	Bracket, Deck Hanger
19	52656	Seat	55	49447	Arm, Steering
20	20507	Shoulder Bolt	56	122145	*Screw, Hex Hd, 3/8-16 x 1 1/4 In.
21	56196	Seat Bracket	57	50546	Bearing, Spindle
22	120638	*Lockwasher, Split, 5/16 In.	58	56400	Front Axle Assembly
23	120834	*Screw, Hex Hd, 5/16-18 x 1 1/2 In.	59	56362	Bracket, Front Axle Support
24	120228	*Screw, Hex Hd, 5/16-18 x 3/8 In.	60	274654	Locknut, Hex, 1/4-20 Thd.
25	56220	Spring, Seat	61	55870	Spindle, Right
26	56060	Clip, Seat Sprng	62	55512	Tie Rod
27	9413447	Locknut, Hex, 3/16-18 Thd.	63	55869	Spindle, Left
28	56204	Speed Nut	64	642	Flatwasher, 3/4 In.
29	995346	*Screw, Taptite, 1/4-20 x 1/2 In.	65	41096	Tire
30	43970	Fender	6	39979	Bearing
31	446363	*Flatwasher, 5/16 In.	67	24167	Valve Stem
32	122017	*Screw, Hex Hd, 5/16-18 x 1 In.	68	39937	Wheel w/Bearing
33	49899	Bracket, Deck Guide	69	40394	Hub Cap
34	43964	Bracket, Deck Guide Support	70	274672	Screw, Hex Hd, 1/4-20 x 3/8 In.
35	39573	Screw, Hex Hd, Lock, 3/8-24 x 1 In.	71	56235	Cover, Console, Rear
36	2483	Spring Washer	72	70117	Decal, Caution

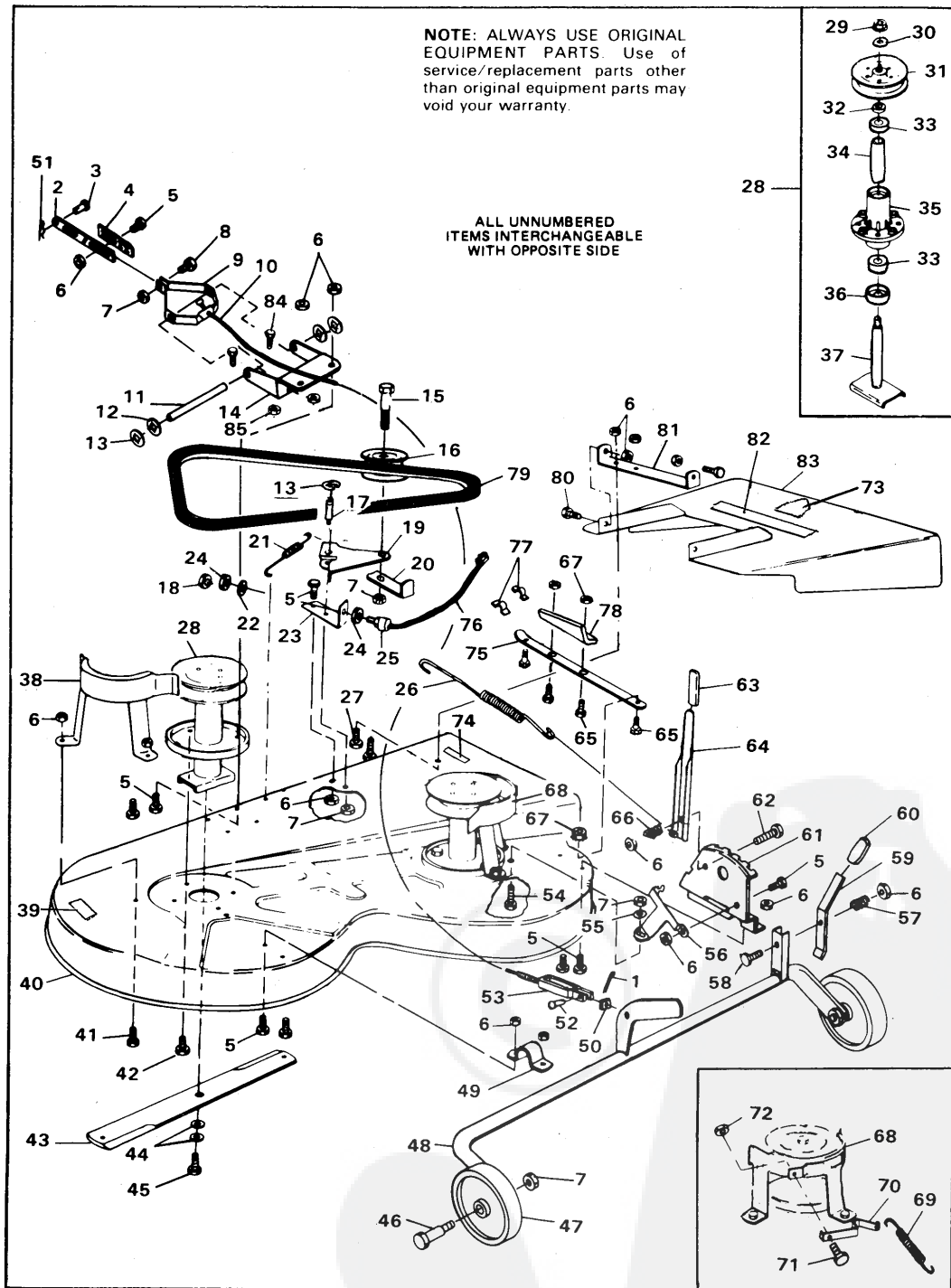
*Standard Hardware Items - May Be Purchased Locally.

Revised 3/25/86

32" RIDING MOWER MODELS 3208-0200 & 3208-0300

NOTE: ALWAYS USE ORIGINAL EQUIPMENT PARTS. Use of service/replacement parts other than original equipment parts may void your warranty.

ALL UNNUMBERED ITEMS INTERCHANGEABLE WITH OPPOSITE SIDE



32" RIDING MOWER MODELS 3208-0200 & 3208-0300

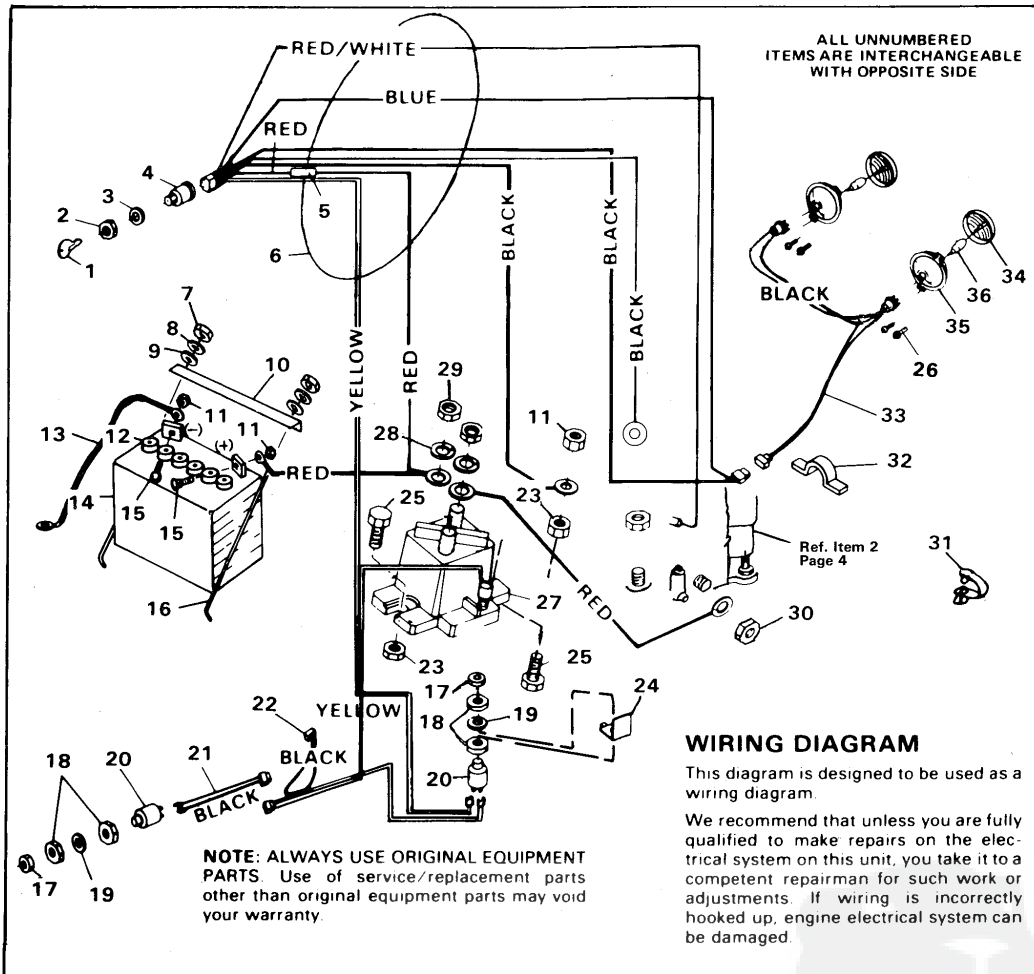
Key No.	Part No.	Description	Key No.	Part No.	Description
1	8260	Hairpin Cotter	44	2483	Spring Washer
2	49059	Bar Hitch	45	39573	Screw, Hex Hd Lock, 3/8-24 x 1 In.
3	47816	Pull Pin	46	23763	Shoulder Bolt
4	49058	Lock Bracket	47	52584	Wheel Assembly, Deck
5	120228	*Screw, Hex Hd, 5/16-18 x 5/8 In.	48	54822	Pivot Tube Assembly
6	9413447	Locknut, 5/16-18 Thd.	49	51985	Support, Pivot Tube
7	9413534	Locknut, 3/8-16 Thd.	50	120372	*Nut, Square, 1/4-20 Thd.
8	120918	*Screw, Hex Hd, 3/8-16 x 1 1/2 In.	51	121222	*Pin, Cotter, 3/16 x 3/4 In.
9	50613	Pivot Bracket	52	39522	Pin, Clevis
10	44604	Lift Cable	53	39404	Clevis, Lift Cable
11	55724	Pivot Rod	54	180120	*Screw, Hex Hd, 3/8-16 x 3/4 In.
12	996425	*Flatwasher, 1/2 In.	55	120394	*Flatwasher, 13/32 In.
13	20864	Retaining Ring	56	53781	Brace, Height Adjust Bracket
14	48676	Lift Support Plate	57	53246	Spring, Height Adjust Lever
15	122181	*Screw, Hex Hd, 3/8-16 x 2 In.	58	120696	*Screw, Hex Hd, 5/16-18 x 2 1/4 In.
16	39498	Idler Pulley, Drive	59	53784	Lever, Height Adjust
17	40305	Shoulder Pin	60	53995	Hand Grip, Height Adjust Lever
18	56635	Nut, Hex, 13/32-32 Thd.	61	53782	Bracket, Height Adjust
19	41202	Bracket, Blade Throwout Idler	62	122040	*Screw, Hex Hd, 5/16-18 x 1 1/2 In.
20	43064	Belt Retainer	63	55213	Hand Grip, Mower Clutch Lever
21	41357	Spring, Blade Throwout Return	64	53780	Lever, Mower Clutch
22	45878	Lockwasher (Lockout Switch)	65	126216	*Carriage Bolt, 5/16-18 x 3/4 In.
23	41210	Mounting Bracket, Switch	66	29170	Spring, Mower Clutch Lever
24	45877	Locknut (Lockout Switch)	67	271184	*Nut, Keps, 5/16-18 Thd.
25	41204	Switch, Lockout	68	56622	Belt Guard, R.H. Pulley
26	55316	Spring, Blade Throwout	69	54903	Spring, Brake Release
27	122007	*Screw, Hex Hd, 5/16-18 x 3/4 In.	70	44992	Spring, Belt Brake
28	56283	†Quill Assy. (Includes 29-37)	71	443874	*Screw, Hex Hd, No. 10-24 x 1/2 In.
29	51445	Flange Nut, 7/16-20 Thd.	72	997316	Locknut, No. 10-24 Thd.
30	56365	Flatwasher	73	68547	Decal, Danger
31	56391	Pulley	74	69617	Decal, Blade Engage
32	56280	Spacer	75	55370	Skid Bar
33	49562	Bearing	76	43038	Wire Assembly, Deck Switch
34	50818	Spacer Tube	77	41482	Wire Clip, Press
35	55547	Quill Casting	78	55368	Deflector
36	50616	Dust Shield, Quill	79	45186	V-Belt
37	56623	Saddle & Shaft Assembly	80	8482	Shoulder Bolt
38	44598	Belt Guard, L.H. Pulley	81	41212	Pivot Bracket
39	70034	Decal, Caution	82	70203	Decal, Caution
40	54862	Mower Deck	83	42878	Chute Guard
41	122017	*Screw, Hex Hd, 5/16-18 x 1 In.	84	55686	Screw, Truss Hd, 1/4-20 x 5/8 In.
42	50634	Screw, Taptite, 5/16-18 x 7/8 In.	85	271172	Nut, Keps, 1/4-20 Thd.
43	56820	Blade, 16 In.			

*Standard Hardware Items - May Be Purchased Locally.

†Contact Tecumseh/Peerless authorized service dealer for parts and warranty.

Revised 3/25/86

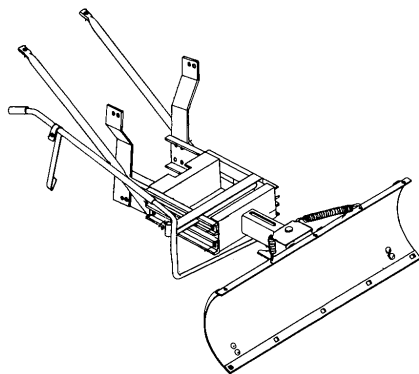
32" RIDING MOWER MODELS 3208-0200 & 3208-0300



Key No.	Part No.	Description	Key No.	Part No.	Description
1	49643	Key, Ignition	21	43038	Wire Assembly, Deck Switch
2	48140	Locknut (Switch Part)	22	42071	Wire Assembly, By-Pass
3	138557	Lockwasher (Switch Part)	23	9424215	Locknut, hex, 1/4-20 Thd.
4	52583	Switch, Ignition w/Keys	24	49734	Bracket, Switch Mounting
5	49211	Fuse	25	187745	Screw, Hex Hd, 1/4-20 x 3/4 In.
6	55528	Wire Harness Assembly	26	50668	Screw, Hex Wa. Tap, No. 10-14 x 1/2 In.
7	120375	Nut, Hex, 1/4-20 Thd.	27	53716	Solenoid
8	120380	Lockwasher, Split	28	138485	Washer, Shakeproof, 5/16 In.
9	120392	Flatwasher	29	120368	Locknut, Hex, 5/16-24 Thd.
10	56360	Bracket, Battery, Hold-Down	30		Engine Part
11	271172	Nut, Keps, 1/4-20 Thd.	31	54888	Retainer, Wire
12	40892	Cap, Battery	32	41482	Wire Clip, Press
13	55511	Ground Wire	33	56189	Lead Wire, Headlight
14	56277	Battery	34	52570	Lens, Headlight
15	120854	Screw, Hex Hd, 1/4-20 x 5/8 In.	35	52571	Bezel, headlight
16	40234	Battery Rod	36	52572	Bulb, Headlight
17	56635	Nut, hex			
18	45877	Nut (Lockout Switch Part)			
19	45878	Lockwasher (Lockout Switch Part)			
20	41204	Switch, Lockout			

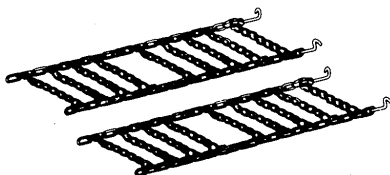
ACCESSORIES

Contact dealer where riding mower was purchased for available accessories. If unable to contact dealer, write to address on front cover of this manual.



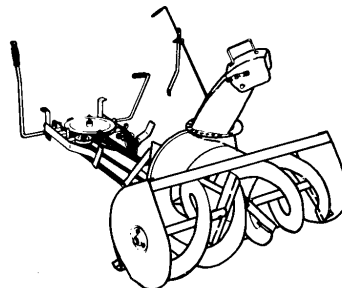
SNOW BLADE

Rugged heavy gauge spring loaded blade glides over uneven surfaces on heavy duty adjustable skids. Blade position can be adjusted from seat of riding mower for straight position, or 35° left or right. Tire chains and weight box attachments are recommended for use with this blade.



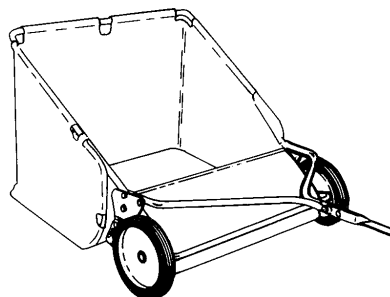
TIRE CHAINS

Tire chains for added traction are available. Specify tire size when ordering.



TWO STAGE SNOW THROWER

A powerful two stage snow thrower with a 14" second stage impeller capable of moving more than 70 tons of snow per hour and throwing it accurately in any direction you choose. Drive controlled discharge chute turns a 160° arc.



LAWN SWEEPER

Features extra heavy duty wheels and heavy duty basket. Basket is water, shrink and mildew proof with big 6 bushel capacity. Dump release and height adjuster can both be operated from riding mower seat.

SEE, CALL OR WRITE ONE OF THE FOLLOWING DISTRIBUTORS FOR PARTS FOR: HOMKO - LAWN SCOUT - AMF - TURFMASTER - DYNAMARK - OR ANY OTHER WESTERN INTERNATIONAL INCORPORATED PRODUCT.

ALABAMA

Automotive Elect. Service, 415 Meridian St., Huntsville, AL 35801, (205) 539-2131, AL WATS 800-636-3394 *b,c,f,g,h
Warlick-Miller A/C Eng., 630 N. 20th St., Bessemer, AL 35020, (205) 424-8288, AL WATS 800-292-8123
MS WATS 800-292-4494 *b,c,f,g,h

CALIFORNIA

Billiou's, 75 No. D, Porterville, CA 93257, (209) 784-4102 *b,c,f,g,h
The Lawn Mower Shop, 1340 El Camino Real, San Carlos, CA 94070, (415) 593-4716 *a,d,f,g

COLORADO

Spitzer Ind. Prod. Co., 6601 N. Washington, Thornton, CO 80229, (303) 287-3414 *b,d,h

FLORIDA

G.L.O. Products Inc., 13201 Belcher Rd. S., Largo, FL 33543, (813) 530-9723 *a,c,h

Radco Distributors Inc., 4909 Victor St., Box 5459, Jacksonville, FL 322070459, (904) 733-7957 *a,c,f,g,h

ILLINOIS

Cox Tire & Battery, 603 N. Market, Marion, IL 62959, (618) 993-2607 *a,c,f,g,h
IL WATS 800-642-4351
Garmoe Distr. Inc., 2620 N. Mannheim Road, Franklin Park, IL 60131, (312) 455-3588 *a,c,f,g,h
Small Engine Parts, 3515 Auburn St., Rockford, IL 61103, (815) 964-1754 *b,c,f,g,h

INDIANA

Thompson Sales & Service, 2400 W. Ridge Road, Gary, IN 46408, (219) 980-3282 *a,b,c,f,g,h

IOWA

Bruce Engine, 1829 N.W. 86th, Des Moines, IA 50322, (515) 278-5151 *a,c,f,g,h

KANSAS

Colladay Hdwe. Co., 201 N. Plum, Box 766, Hutchinson, KS 67501, (316) 663-4477 *a,c

KENTUCKY

Auto-Electric Inc., 715 W. Hwy 80, Box 671, Somerset, KY 42501, (606) 679-1171 *c,f,g,h
Cayce Mill Supply Co., 1st & Douglas St., Hopkinsville, KY 42240, (502) 886-3335 *f,g,i
Ellingsworth Auto Electric, 1003-08 E. Broadway, Louisville, KY 40204 (Serving Southern Indiana), (502) 585-5055, KY WATS (800) 722-5061 *b,c,f,g,h

LOUISIANA

United Engine Service, Inc., 11923 Cloverland Ave., Baton Rouge, LA 70809, (504) 291-2622 *a,d,f,g,h

MARYLAND

Center Supply Co., 6867 New Hampshire Ave., Takoma Park, MD 20912, (301) 270-1690 *b,c,f,g,h
Kunkel Service Co., 6252 Frankford Ave., Baltimore, MD 21206, (301) 377-4008, MD WATS 800-492-8886 *b,c,f,g,h

MASSACHUSETTS

Morton B. Collins Co., 300 Birnie Ave., Box 70058, Springfield, MA 01107, (413) 732-7449 *a,c,g,h
Crandall-Hicks Co., 250 Eliot St., Ashland, MA 01721, (617) 881-6122 *a,d

MICHIGAN

Air Cooled Engine Div., 615 First St., Menominee, MI 49858, (906) 863-8011, MI WATS (906 area only) 800-562-4825 *a,c,f,g,h
Heat Engineering Inc., 7700 Southfield Road, Detroit, MI 48228, (313) 271-7550 *a,c,f,g,h
Lorenz Service Co., 2500 S. Pennsylvania Ave., Lansing, MI 48910, (517) 484-1361 *b,c,f,g,h

MINNESOTA

Northern Automotive Co., 1401 W. Broadway, Minneapolis, MN 55411, (612) 522-6656 *a,c,f,g,h

MISSISSIPPI see Bessemer, Alabama

MISSOURI

Gunther's Service & Supply, 7320 Wornall Road, Kansas City, MO 64114, (816) 523-1952 *a,f,g,h
Wilson Engine & Parts Inc., 4159 Shoreline Drive, Jct. I-70 & 270, Earth City, MO 63045, (314) 739-1313, MO WATS 800-392-4063, WATS (outside MO only) 800-367-2787 *a,b,d,f,g,h

NEW JERSEY

Power Distributors, Inc., 102 Mayfield Ave., Edison, NJ 08837, (201) 225-4922 *i

NEW YORK

Loegler & Ladd Inc., 3950 Broadway, Box 214, Buffalo, NY 14225, (716) 684-0600 *a,c

Stiefvater Distr. Inc., Clinton Road, Route 12B, New Hartford, NY 13413, (315) 853-5581 *a,c,f,g,h

NORTH CAROLINA

Carswell Distr. Co., 3750 N. Liberty St., Box 4193, Winston-Salem, NC 27105, (919) 767-7700 *g,i
Dixie Sales Co., Inc., 335 N. Green, Box 1408, Greensboro, NC 27402, (919) 274-0490, NC WATS 800-632-1276 *b,c,f,g,h

OHIO

American Power Distr., 2430 Tremainsville Rd., Box 8515, Toledo, OH 43613, (419) 475-7261 *f,g,h
Small Engine Distr., 5250 N. Dixie, Box 1481, Dayton, OH 45414, (513) 278-8241 *b,f,g,h

OKLAHOMA

Albro's, 2921 W. Hefner Rd., Oklahoma City, OK 73120, (405) 751-1711 *a,c,f,g,h

PENNSYLVANIA

Bluemont Co., 11101 Frankstown Road, Pittsburg, PA 15235, (412) 242-2522 *a,b,c,f,g,h
Scranton Auto Ignition, 1133 Wyoming Ave., Scranton, PA 18509, (717) 342-8133 *b,c,f,g,h

SOUTH CAROLINA

Magneto & Elect. Service, 103 Assembly St., Columbia, SC 29201, (803) 771-4044, SC WATS 800-922-1118 *a,c,f,g,h

TENNESSEE

American Sales & Serv., 3035 Bellbrook Dr., Memphis, TN 38116, (901) 332-2210 *a,d,f,g,h

Chilton A/C Engines, 319 4th Ave. S., Box 15806, Nashville, TN 37201, (615) 254-1634 *b,c,f,g,h

Ace Distr., Inc., 2103 E. Magnolia Ave., Box 3587, Knoxville, TN 37917, (615) 524-5359, TN WATS 800-332-9904 *a,c,f,g,h

TEXAS

Marr Bros. Inc., 423 E. Jefferson, Dallas, TX 75203, (214) 948-7387 *a,c,f,g,h

Midland Small Engine Sales, 106 Carlton, Box 4215, Midland, TX 79704, (915) 682-1409 *b,f,g,h

VIRGINIA

Norva Small Engines, 8120 E. Wellington Rd., Manassas, VA 22110, (703) 369-3387 *a,c,f,g,h

RBI Corporation, 101 Cedar Ridge Rd., Lakeridge Park, Ashland, VA 23005, (804) 798-1535 *a,c,f,g,h

WASHINGTON

Pacific A/C Engine Inc., 4030 1st Ave. S., Box 84783, Terminal Annex, Seattle, WA 98124, (206) 682-4677 *a,c,f,g,h

WEST VIRGINIA

Interstate Radiator, 1611 4th Ave., Charleston, WV 25312, (304) 345-1724 *a,d,f,g,h

WISCONSIN

Reliable Hdwe., 8010 N. 76th St., Milwaukee, WI 53223, (414) 355-2900 *b,c,f,g,h

Wiggert Brothers, 3rd & Jay, Box 1267, La Crosse, WI 54601, (608) 784-4790 *a,b,c,f,g,h

CANADA

Suntester Equipment Ltd., 5466 Timberlea Blvd., Mississauga, Ontario, Canada L4W 2T7, (416) 624-6200 *g,i

Yetman's Ltd., 949 Jarvis Ave., Winnipeg, Manitoba, Canada R2X 0A1, (204) 586-8046, WATS (Manitoba & Sask.) 800-665-8623 *b,c,f,g

Revised 1/20/86

(*) General Information Codes:

- (a) Advance Payment Preferred
- (b) Accepts Credit Cards
- (c) C.O.D. okay
- (d) No. C.O.D.
- (e) C.O.D. only
- (f) Briggs & Stratton dealer or distributor
- (g) Tecumseh/Peerless dealer or distr.
- (h) Foote dealer or distributor
- (i) Dealer sales only, contact for closest dealer.