

**OWNER'S MANUAL**  
**32" - 8 H.P. RIDING MOWER**  
**MODELS 3280-0200, 3280-0300 & 3280-0400**

**WARRANTY**

**ONE YEAR LIMITED WARRANTY**

For one (1) year from date of purchase by the first consumer for residential use (thirty (30) days commercial use), Western International Incorporated warrants that it will replace free of charge, including labor, any original part of any Western International Incorporated product found to be defective by any authorized Service Dealer or the factory, except the battery which is warranted for ninety (90) days from date of purchase.

This warranty does not cover engine, transmission, transaxle or differential (these items are covered by their manufacturer's own warranty). This warranty does not cover parts that have failed due to normal wear or parts that have failed subject to misuse or abuse. Transportation of the unit or part to and from an authorized Service Dealer or the factory is the responsibility of the owner.

A step by step explanation as to what procedure should be followed for this Warranty is:

1. If a part becomes defective, contact the store where the unit was purchased for the name and address of the authorized Service Dealer nearest to you.
2. If you cannot locate an authorized Service Dealer, write Service Department of Western International Incorporated for the name and address of the authorized Service Dealer in your area or call the Service Department at 1-800-247-7464 (outside Iowa), 1-515-265-3461 (Iowa).
3. Return the defective product, along with proof of purchase to such authorized Service Dealer for replacement of any defective part where covered by this warranty.

There is no other express warranty. Implied warranties, including those of merchantability and fitness for a particular purpose are limited to one (1) year from date of purchase. Liability for incidental or consequential damages are excluded.

Some states do not allow limitations on how long an implied warranty lasts, so the above limitation may not apply to you. Some states do not allow the exclusion of incidental or consequential damages, so the above exclusion may not apply to you. This warranty gives you specific legal rights, and you may have other rights which vary from state to state.

Western International Incorporated      P.O. Box 377      Des Moines, Iowa 50302

**UNIT PARTS AND SERVICE**

This manual contains instructions for safety, assembly and maintenance. Read this manual carefully and completely so that you will know proper assembly, use and care of your unit. Also fill in and mail the registration card packed with the unit. For service other than covered in this manual, contact an authorized service dealer. A nationwide parts and service organization has been established to provide locally available parts and service. A list of authorized parts distributors has been included in this manual. When ordering repair parts, always give the following information: 1. The Part Name; 2. The Part Number; 3. The Quantity desired; 4. The Full (eight digit) Model Number of the unit. The model number will be found on a plate attached to the unit.



Look for this symbol. It means - ATTENTION! BECOME ALERT! A HAZARD TO OPERATOR, BYSTANDERS, PROPERTY OR EQUIPMENT MAY EXIST.

WESTERN INTERNATIONAL INCORPORATED  
P.O. BOX 377  
DES MOINES, IOWA 50302

Part No. 62875

0486

Price \$2.00

Printed in U.S.A.



## OPERATIONAL PRECAUTIONS

THESE INSTRUCTIONS ARE FOR YOUR PROTECTION. PLEASE READ THEM CAREFULLY.



1. Know the controls and how to stop quickly. READ THIS OPERATOR'S MANUAL and instructions furnished with attachments.
2. Wear safety glasses or eye shields when assembling or operating riding mower.
3. Do not allow children to operate the machine. Do not allow adults to operate it without proper instruction.
4. Do not carry passengers. Do not mow when children and others are around. Disengage power to blade(s) or attachment(s) and stop the engine while others are in the vicinity of the mower.
5. Battery fluid (electrolyte) is an ACID and is extremely dangerous. Do not smoke while servicing the battery. Do not service battery near an open flame or spark.
6. Handle gasoline with care, it is highly flammable.
  - A. Use approved gasoline container.
  - B. Never remove the fuel cap of, or add gasoline to, a running or hot engine, or an engine that has not been allowed to cool for several minutes after running. Never fill the tank indoors and always clean up spilled gasoline immediately.
  - C. Do not smoke while filling fuel tank.
  - D. Do not run the engine indoors. Open doors if engine must be run in garage. Exhaust fumes contain CARBON MONOXIDE, an ODORLESS and DEADLY GAS.
7. Check fuel supply before each use allowing space for expansion as the heat of the engine and/or sun can cause gasoline to expand.
8. Do not operate mower when barefooted. Always wear substantial footwear, preferably steel-toed shoes. Do not wear loose fitting clothing that could get caught in moving parts.
9. Clear the work area of objects (wire, rocks, etc.) which might be picked up and thrown. Check all controls for proper function.
10. Disengage all attachment clutches, shift to neutral, and set parking brake before attempting to start the engine (motor). When starting engine equipped with a pull starter, stand firm and make sure your feet are well away from the blade(s).
11. Disengage power to blade(s) or other attachment(s) and stop the engine (motor) before leaving the operator's position. Always dismount from left side.
12. Disengage power to blade(s) or other attachment(s) and stop the engine (motor) before making any repairs or adjustments.
13. Disengage power to blade(s) or other attachment(s) when transporting or not in use.
14. Take all possible precautions when leaving the vehicle unattended, such as disengaging power to blade(s) or attachment(s), lower the attachment(s), setting the parking brake, stopping the engine (motor), and removing the key.
15. Do not stop or start suddenly when going uphill or downhill. Mow up and down the face of steep slopes; never across the face.
16. Reduce speed and exercise extreme caution on slopes and in sharp turns to prevent tipping or loss of control. Be especially cautious when changing direction on slopes.
17. Stay alert for holes, rocks, and roots in the terrain and other hidden hazards. Keep away from drop-offs. Never operate your riding mower on wet or slippery grass or at a speed which could cause a skid. Exercise care when mowing around a fixed object to prevent the blade(s) from striking it. Never deliberately run over any foreign object.
18. Always disengage blade control lever before attempting to remove the mower from a hole or other obstruction.
19. Use care when pulling loads or using heavy equipment.
  - A. Use only approved drawbar hitch points.
  - B. Limit loads to those you can safely control.
  - C. Do not turn sharply. Use care when backing.
  - D. Use counterweight(s), wheel weights or tire chains when suggested in attachment(s) instructions.
20. Watch for traffic when crossing or near roadways.
21. When using attachment(s), never direct discharge of material toward bystanders nor allow anyone near the vehicle while in operation.
22. Keep the vehicle and attachments in good operating condition, and keep safety devices in place and in working condition.
23. Keep all nuts, bolts, and screws tight to be sure the equipment is in safe working condition.
24. Never store the equipment with gasoline in the tank inside a building where fumes may reach an open flame or spark. Allow the engine to cool before storing in any enclosure.
25. To reduce fire hazard, keep the engine free of grass, leaves, or excessive grease.
26. The vehicle and attachments should be stopped and inspected for damage after striking a foreign object, and the damage should be repaired before restarting and operating the equipment.
27. Do not change the engine governor settings or overspeed engine.
28. When using the vehicle with mower, proceed as follows:
  - A. Mow only in daylight or in good artificial light.
  - B. Never make a cutting height adjustment while the engine (motor) is running if the operator must dismount to do so.
  - C. Shut the engine (motor) off when removing the grass catcher or unclogging chute.
  - D. Check the blade mounting bolts for proper tightness at frequent intervals.
29. Under normal usage, the grass catcher bag material is subject to deterioration and wear. Check bag frequently for deterioration and wear and replace worn bags. Check that replacement bags comply with the original manufacturer's recommendations or specifications.
30. Disengage power to mower before backing up. Do not mow in reverse unless absolutely necessary and then only after careful observation of the entire area behind the mower.

## OWNER'S INFORMATION

Record the following information about your unit so that you will be able to provide it in case of loss or theft.

MODEL NUMBER: 3280-0200, 3280-0300 or 3280-0400 (Circle number that appears on model plate)  
PURCHASE DATE: \_\_\_ / \_\_\_ / \_\_\_ CODE NO. \_\_\_\_\_ SERIAL NO. \_\_\_\_\_  
DEALER'S NAME AND ADDRESS \_\_\_\_\_  
CITY \_\_\_\_\_ STATE \_\_\_\_\_ TELEPHONE \_\_\_\_\_

### WARNING

This riding mower is equipped with an internal combustion engine and should not be used on or near any unimproved forest-covered, brush-covered, grass-covered land unless the engine's exhaust system is equipped with a spark arrester meeting applicable local or state laws (if any). If a spark arrester is used, it should be maintained in effective working order by the operator. See your authorized Engine Service Dealer for proper spark arrester muffler for the engine on your riding mower.

### TOOLS REQUIRED FOR ASSEMBLY

- 1 - 7/16 inch Wrench (or adjustable wrench)
- 1 - 1/2 inch Wrench (or adjustable wrench)
- 2 - 9/16 inch Wrenches (or adjustable wrenches)
- 1 - Hammer (plastic or rawhide preferred)
- 1 - Phillips Screwdriver (or No. 10 metric wrench)

### **⚠ DANGER ⚠**

This riding mower can be dangerous if carelessly used.

Read Operator's Manual thoroughly before operating riding mower.

Always wear safety glasses or eye shields while assembling or operating riding mower.

**DO NOT** carry passengers at any time.

Keep hands, feet, hair and loose clothing away from discharge area, underside of mower deck or any moving parts while engine is running.

**DO NOT** allow children or young teenagers to operate or be near riding mower while it is operating.

### CONTENTS OF SHIPPING CARTON

- 1 - 32 inch Riding Mower
- 1 - Engine Manual
- 1 - Owner's Manual
- 1 - Steering Wheel
- 1 - Steering Shaft
- 1 - Decorative Tube (steering shaft cover)
- 1 - Seat
- 1 - Bag of Assembly Parts Containing:
  - 1 - Knob (gear shift)
  - 1 - 1/4 x 2 1/4 inch Roll Pin
  - 1 - 3/16 x 1 1/4 inch Roll Pin
  - 4 - 5/16 x 1/2 inch Hex Head Screws
  - 4 - 5/16 inch Split Lockwashers
  - 1 - 3/8 x 3 1/2 inch Eye Bolt
  - 2 - 3/8 inch Hex Nuts

## ASSEMBLY

Your riding mower is right side or left side as you face forward while seated in operators seat.

### TO ACTIVATE BATTERY

We recommend that battery be removed from riding mower for servicing to prevent paint damage if any electrolyte acid should be spilled.

#### ⚠ DANGER ⚠

Handle electrolyte with care. It is an acid and can be dangerous. Do not smoke while servicing battery.

1. Remove two 1/4 x 5/8 inch self-tap screws from left fender bottom (figure 1).
2. Remove acorn nut and 5/16 x 5/8 inch self-tap screw from left fender top (figure 1). Lift fender up and off riding mower.
3. Pull battery vent tube (figure 1 inset) off of battery before removing battery.
4. Disconnect negative (black) battery cable (figure 1 inset). **NOTE:** Be sure screwdriver does not touch any metal surface or other battery terminal.

#### ⚠ CAUTION ⚠

Be sure that battery hold-down bracket does not touch battery terminals. When installing battery cables, install positive (red) cable first. When disconnecting battery cables, disconnect negative (black) cable first. Be sure that screwdriver does not touch any metal surface or both terminals, as damage to electrical system could result.

5. Disconnect positive (red) battery cable.
6. Remove locknuts (under main frame) from battery hold-down bracket (figure 1) and remove bracket.
7. Remove battery from riding mower and remove vent caps from all cells.
8. Fill battery with electrolyte battery acid, available at most service stations or auto supply stores (follow instructions outlined on electrolyte package).

#### ⚠ DANGER ⚠

Handle electrolyte with care. It is an acid and poison. Always wear eye shields, and protect skin when handling acid or battery.

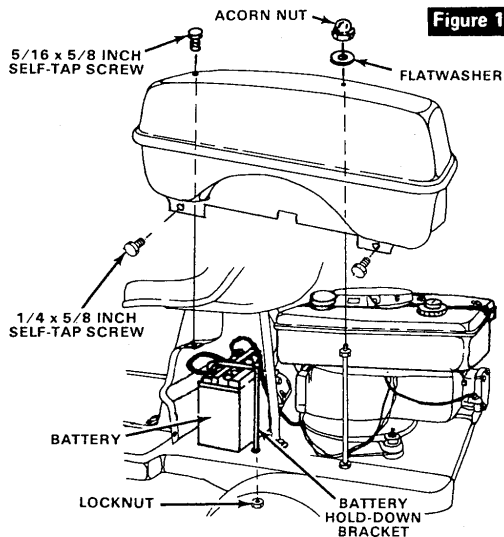
##### POISON - CAUSES SEVERE BURNS

Contains sulfuric acid.  
Avoid contact with skin, eyes or clothing.  
To prevent accidents, neutralize excess acid with baking soda and rinse empty container with water.

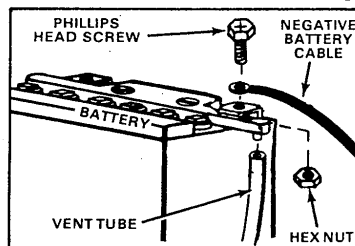
##### ANTIDOTE:

**EXTERNAL** - Flush with water.  
**INTERNAL** - Drink large quantities of water or milk. Follow with milk of magnesia, beaten eggs or vegetable oil. call physician immediately.  
**EYES** - Flush with water for 15 minutes and get prompt medical attention.

— KEEP OUT OF THE REACH OF CHILDREN —



**Figure 1**



9. Before placing battery into riding mower, battery should be charged at one (1) amp for 3 to 5 hours.
10. Reinstall and tighten vent caps on all cells after charging.

If battery charger is not available, allow battery to set for 20 minutes before installing into riding mower. Battery should be strong enough to start engine. Operate riding mower engine continuously for 20 to 30 minutes in order to sufficiently charge the battery. **NOTE:** Skip battery installation and complete assembly section of this manual while waiting for battery to charge.

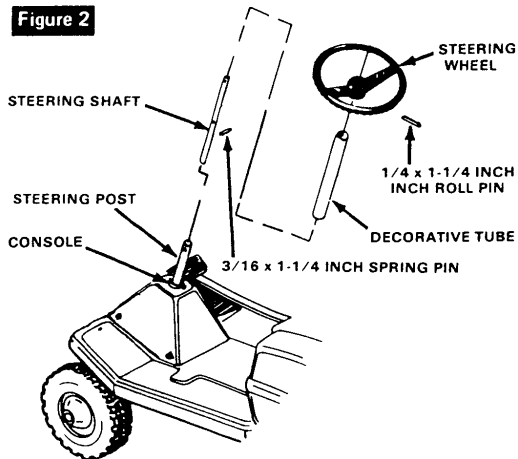
11. Reinstall battery into position on mower and reinstall battery hold-down bracket and locknuts.
12. Push battery vent tube back onto battery.
13. Reattach battery cables to battery (red cable to positive (+) post—black cable to negative (-) post).
14. Reinstall fender.

### STEERING ASSEMBLY

1. Position front wheels straight forward.
2. Slide steering shaft into steering post and align cross hole in shaft with hole in post. Using a hammer, drive a 3/16 x 1 1/4 inch roll pin through hole (see figure 2).
3. Slide decorative tube over steering shaft and over raised area on console. Tap decorative tube with hammer until it is completely seated onto console.

4. Align cross hole in steering wheel with cross hole in steering shaft and drive a 1/4 x 2 1/4 inch roll pin through hole (figure 2).

**Figure 2**

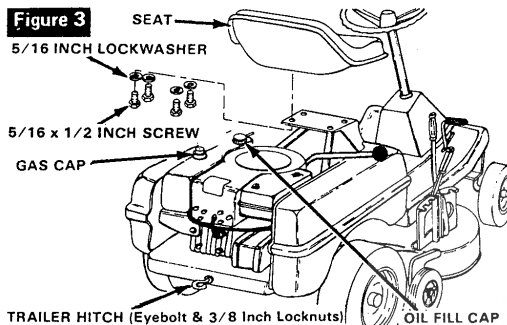


### SEAT ASSEMBLY

1. Install seat using four 5/16 x 1/2 inch screws and four 5/16 inch split lockwashers (see figure 3).

### GEAR SHIFT KNOB

1. Screw gear shift knob onto shift lever (figure 3).



### TRAILER HITCH INSTALLATION

The trailer hitch consists of a long eyebolt and two 3/8 inch locknuts. Place one locknut on eyebolt and thread it approximately halfway onto threaded portion of bolt. Insert threaded end of bolt through hole in main frame rear (figure 3) and fasten using other locknut. Hitch can be adjusted either direction by loosening outer locknut and then tightening inner nut or vice versa.

### TO SERVICE ENGINE

1. Place mower so engine is in a level position.
2. Fill engine crankcase with oil. See **Engine Operation and Maintenance Manual** for proper procedure.
3. Reinstall oil fill cap (figure 3) and tighten securely.
4. Check to make sure that spark plug is tightened securely into engine and spark plug wire is attached to plug.
5. Fill gas tank (figure 3) with clean, fresh gasoline with a minimum rating of 77 octane. Lead-free, low-lead or regular grade leaded gasolines are acceptable. **Do not mix oil with gasoline.** Be certain container is clean and free from rust or other foreign particles. Never use gasoline that may be stale from long periods of storage in the container.

## ⚠ DANGER ⚠

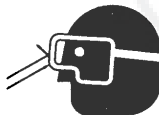
Never fill the gas tank while the engine is running or is hot. Immediately wipe off any spilled gasoline before attempting to start engine.

### TO SERVICE RIDER

1. Check rear tire pressure. Correct tire pressure (12 to 15 pounds) should be printed on sidewalls of tires. Be sure that tires are inflated equally on both sides.
2. Check all screws and nuts to be sure none are loose.
3. Return to **Step 11** of paragraph **To Activate Battery** and complete battery installation.

## OPERATION

The operation of this riding mower can result in objects being thrown into the eyes, which can result in severe eye damage. Always wear safety glasses or eye shields while operating a riding mower. We recommend standard safety glasses or Wide Vision Safety Mask for over spectacles.



Get to know your riding mower and its controls. Be sure you (or any other operator) have read and understood the **Operational Precautions** listed on page 2 of this manual.

Your new mower will give years of service if cared for properly. Never run into trees, curbs, etc. Service regularly and store in a dry area. Operate your mower at slow speeds until you become familiar with the machine. Avoid sharp turns at high speed and uphill or downhill turns. Operate

mower carefully. Be especially cautious on hills. When riding down inclines, keep shift control in low speed with brake-clutch pedal out. This allows the engine to control the speed. Use brake for fast stops on hill.

**KEEP MOWER CLEAN.** Grass clippings may pack under the mower chassis due to the internal moisture content of the grass. This accumulation of cut grass should be removed after each mowing. Disconnect spark plug wire, remove ignition key and scrape accumulation off with a putty knife or similar tool. Cleaning of under side is easier if mower deck is removed. See **Mower Deck Removal** paragraph in **Adjustment** section of this manual. Remove dirt and debris from engine area with a brush or cloth.

## **⚠ DANGER ⚠**

**DO NOT** operate this mower without the chute deflector in place. A riding mower can be dangerous to operate if misused. On slopes, be very cautious and avoid sharp turns to prevent tipping or loss of control. **NEVER** carry passengers.

### CONTROLS

Figure 4 shows all operating controls. The controls and their functions are as follows:

- **Throttle Control Lever** - Regulates engine speed and is used to choke engine.
- **Ignition Switch** - Used to start and stop engine. Turn key to START position to start engine. Turn key to OFF position to stop engine. Remove key to lock ignition.
- **Brake-Clutch Pedal** - This is a dual purpose control. Press pedal halfway down to disengage clutch. It is used for changing speed range or direction of travel (forward or reverse). Release pedal to engage clutch. With pedal completely depressed, brake is applied.
- **Parking Brake Lever** - Used to lock brake-clutch pedal in brake applied position. **NOTE:** Check gear shift position and know operating intentions before releasing brake.
  1. Depress brake-clutch pedal fully, engaging brake.
  2. Push parking brake lever forward and engage notch on lower end of lever against slot in main frame.
  3. To release parking brake, apply pressure to pedal and spring will release parking brake lever.
- **Shift Control Lever** - Used to select ground speed ranges as well as direction of travel (forward-neutral-reverse). Raise lever and push forward to shift into forward speed ranges. Lower lever and push back for reverse. Forward speed ranges are labeled 1-2-3-4-5.

**First** range is slowest forward speed (used for extremely heavy mowing).

**Second** range will be best mowing speed.

**Third** range will be used for light mowing.

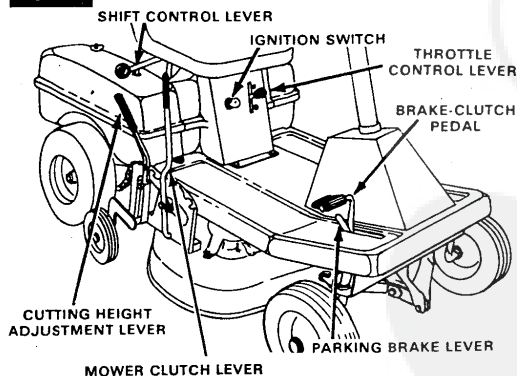
**Fourth** range will be used for very light mowing.

**Fifth** range should be used for non-mowing transportation of mower.

## **⚠ CAUTION ⚠**

**Come to full stop before changing gears.**

**Figure 4**



- **Mower Clutch Lever** - Used to connect or disconnect the power to the blades at any time while power to the drive wheels is still maintained and controllable. With mower clutch lever moved all the way to DISENGAGE (rearward) position, blades should stop in a short period of time. Use DISENGAGE position when using as a tractor for yard jobs such as pulling a sweeper.

1. Move lever slowly (Never "snap" the lever) toward front of mower and latch into notch on quadrant to engage power to blades. It is important to engage mower clutch lever while engine is running at full speed. This prevents excessive strain to belt.
2. Move lever toward rear of mower to disengage power to blades and to apply blade brake.

**Mower clutch lever must always be in full DISENGAGE position to start engine. Never place lever in ENGAGE position until engine is warmed up and operator is on seat, ready to start mowing. Always return lever to DISENGAGE before shifting to reverse and before dismounting from riding mower.**

## **⚠ DANGER ⚠**

**Blades will not stop immediately. Keep hands and feet from under mower and away from the discharge chute.**

- **Cutting Height Adjustment Lever** - Used to change height of cut. The front notch on quadrant is lowest cutting height and rear notch is highest cutting height. Other notches change height of cut about ½ inch each.
  1. Grasp lever (figure 4) with right hand and push outward to disengage lever from notch on quadrant.
  2. Move lever to desired cutting height (toward rear of mower for high cut and forward for low cut).
  3. After positioning lever at desired height of cut, be sure lever engages notch on quadrant completely.

### TO START ENGINE (Check Oil Level)

**IMPORTANT:** Your mower has two lockout switches connecting the solenoid to the brake-clutch mechanism and the mower clutch lever. When starting the engine, the brake-clutch pedal must be fully depressed and mower clutch lever must be in full DISENGAGE position to engage the lockout switches. The engine will not crank unless these conditions are met. **NOTE:** The engine is supplied with **NO OIL**. Be sure that oil has been added. To start engine, proceed as follows:

1. Check to make sure fuel tank contains clean, fresh gasoline, and engine crankcase is full of oil.
2. Depress and hold brake-clutch pedal all the way down. Place shift lever in NEUTRAL position.
3. Place mower clutch lever to DISENGAGE position.
4. Place throttle control lever to START position.
5. Turn ignition key to START.
6. After engine starts, move throttle control lever to desired engine speed.

**If engine cranks but fails to start, proceed as follows:**

1. Check to make sure fuel tank contains clean, fresh gasoline.
2. Check to make sure spark plug is tightened securely into engine and spark plug wire is attached to spark plug.
3. Carburetor adjustment may be necessary (see **Engine Operation and Maintenance Manual** for proper procedure).

**If engine fails to crank, check the following:**

1. Be sure the battery has been serviced and charged.

2. Be sure brake-clutch pedal is fully depressed and mower clutch lever is in DISENGAGE position.
3. Check fuse in red wire near back of ignition switch.
4. Be sure deck safety wire is connected to wire harness.

**⚠ DANGER ⚠**

Never run engine indoors or in enclosed, poorly ventilated areas. Engine exhaust contains **CARBON MONOXIDE**, an **ODORLESS** and **DEADLY GAS**.

Keep hands, feet, hair and loose clothing away from any moving parts on engine or riding mower.

**WARNING** - Temperature of muffler and nearby areas may exceed 150° F. Avoid these areas.

## RIDING MOWER OPERATION

Take a comfortable riding position on seat of riding mower and start engine as outlined. After engine warmup, depress brake-clutch pedal halfway and move shift control lever to desired gear. Slowly release brake-clutch pedal to start riding mower in motion. Until you get the feel of the riding mower, stay near the slow throttle position. To change gear range, depress brake-clutch pedal fully, come to a complete stop, and move shift lever to desired position. With mower blades stopped, make your first run in a large, open, level area. Learn to start, stop, and change direction in this area.

Once you learn to maneuver your riding mower increase throttle speed to fast. Slowly move mower clutch lever to ENGAGE position and start mowing. To stop blades, move lever to DISENGAGE position.

To stop engine, turn ignition key to OFF position. **CAUTION:** Disengage mower clutch lever, set parking brake, stop engine, and remove key before leaving operators position. Always dismount from left side.

**⚠ CAUTION**

**TO AVOID INJURY**

- Read Operator's Manual(s).
- Know location & function of all controls.
- Keep safety devices (guards, shields, and switches in place and working.
- Remove objects that could be thrown by blade.
- Do not mow when children & others are around.
- Never carry children.
- Always look behind machine before backing.
- Do not mow where machine could tip or slip.
- If machine stops going uphill, stop blade and back slowly down.
- Be sure blade & engine are stopped before placing hands or feet near blade.
- Remove key when leaving machine.

## MOWING HINTS

The engine should be run at full throttle and ground speed controlled by shift lever position. Forward speed of the riding mower must be controlled in accordance with the type and quantity of grass being mowed. The more grass that must be cut, the slower the speed forward should be. When cutting light grass, the forward speed can be increased. By observing the cutting action of your mower, you can determine how fast you can travel.

Your mower may tend to leave unmowed strips when long and tender grass is being mowed. Tender grass has a high internal moisture content and is easily depressed by the

riding mower wheels, and may not always spring back in time to be cut. To overcome this condition, we advise mowing the lawn in a counterclockwise direction, overlapping previous cut, which allows the lifting action of the rotating blades to lift the grass into the cutting path.

The rear wheels are driven by a differential, similar to an automobile differential. This makes short turns possible and prevents marring of the lawn. It is possible to spin the drive wheels of the riding mower under adverse conditions. When one wheel slips, shift your weight over this wheel to obtain more pulling power. Your riding mower is very maneuverable and can be reversed to back out of dead ends. **CAUTION:** Disengage mower blades before backing up. Carefully check area behind mower for children or pets.

## ADJUSTMENTS

### ⚠ DANGER ⚠

Keep hands, feet, hair and loose clothing away from any moving parts on engine or riding mower when making any adjustments that requires engine to be running.

Always stop the engine, remove ignition key and disconnect spark plug wire before making any adjustments or repairs to the riding mower.

### INTRODUCTION TO MECHANISM ADJUSTMENTS

Located beneath the main frame is a v-belt that transmits power to the transmission which, in turn, transmits power (with a drive chain) to the rear wheels; a v-belt that transmits power to the two mower blades; linkage that connects the brake-clutch pedal to the brake on the differential; and linkage that connects brake-clutch pedal to clutching idler pulley.

The clutch that disengages power to the blade and a deck assembly leveling adjustment are located on the mower deck.

It is necessary to remove mower deck to replace the transmission drive belt. Although it is not necessary to remove the mower deck to make the other adjustments, it is more convenient if several, or all, adjustments are to be made.

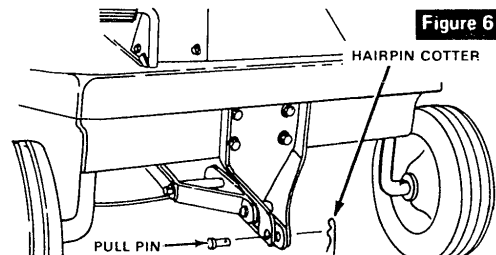
### ⚠ CAUTION ⚠

At no time during maintenance or adjustments can the riding mower be lifted more than 20 inches from level position without taking the following precautions:

1. Remove gasoline from tank and run engine until carburetor is dry.
2. Remove battery (see BATTERY REMOVAL paragraph in MAINTENANCE section).
3. Remove oil from crankcase.

### MOWER DECK REMOVAL

1. Disconnect spark plug wire.
2. Set mower clutch lever to the disengaged position to relieve tension on the mower blade drive belt.
3. Disconnect the deck safety wire from wire harness (figure 5) under the main frame. **NOTE:** the by-pass wire (figure 5) must be connected to the wire harness on the main frame in order to start the engine while deck is removed.
4. Remove hairpin cotter from pull pin (figure 6) on the front of the mower deck and remove pull pin.



5. Spring lower engine pulley belt guide away from belt enough to allow deck belt to be removed from engine pulley.
6. Move deck forward to disengage the rear deck guide (figure 7) from the guide bar (figure 5) which is attached to the underside of the mower main frame.
7. The deck is now completely free of the mower and can be removed by lifting front of mower and setting rider to the side away from mower deck controls.
8. Installation of mower deck is reverse of removal.
9. Reconnect deck safety wire to wire harness and reconnect spark plug wire.

Figure 5

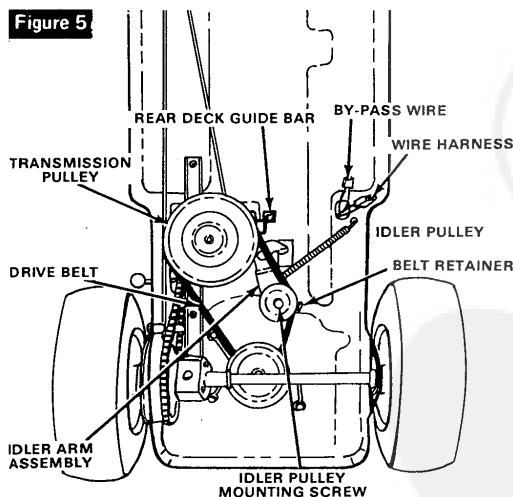
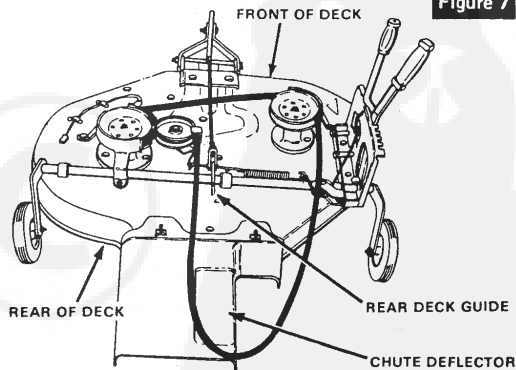


Figure 7



### RIDING MOWER DRIVE BELT ADJUSTMENT

The drive belt is kept tight by a spring attached to the idler arm assembly. When drive belt is properly adjusted, with brake clutch pedal fully released and transmission in neutral position, you should not be able to turn transmission pulley by hand. If you can turn transmission pulley, drive belt adjustment is too loose and you need to tighten drive belt.



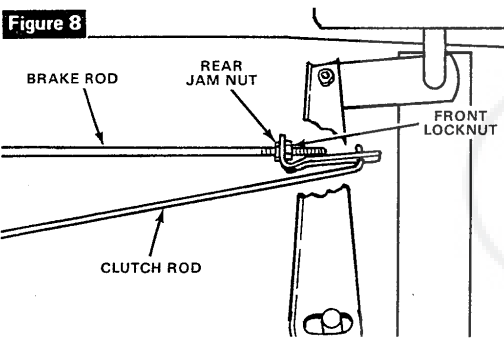
With parking brake lever set in first notch you should be able to turn transmission pulley freely. To adjust riding mower drive belt proceed as follows:

1. Disconnect spark plug wire and remove mower deck (see **Mower Deck Removal** paragraph).
2. Note position of belt retainer on idler pulley (figure 5) so that it can be repositioned properly after drive belt adjustment. Loosen idler pulley mounting screw.
3. With clutch engaged, (pedal fully released) slide idler pulley snugly against belt to tighten drive belt.
4. Relocate idler pulley belt retainer and tighten idler pulley mounting screw.
5. Check drive belt adjustment as described above and readjust if necessary.
6. Check riding mower brake adjustment as outlined in paragraph **Riding Mower Brake Adjustment**.
7. Reinstall mower deck and reconnect spark plug wire.

### RIDING MOWER BRAKE ADJUSTMENT

This riding mower is equipped with a band brake mounted on the differential. Place shift control lever to neutral position and depress brake-clutch pedal enough to latch parking brake lever in third notch. Brake should be disengaged and you should be able to push riding mower. If you are unable to push riding mower, brake is too tight and you need to loosen brake. With shift control lever in neutral position and parking brake lever in sixth notch, brake should be applied. If you are able to push riding mower, brake is too loose and you need to tighten brake. Brake must be set when parking brake lever is in the sixth and seventh position. To adjust brake, proceed as follows:

1. Disconnect spark plug wire.
2. To tighten riding mower brake, loosen rear jam nut (figure 8) on brake rod a turn or two.
3. Tighten front locknut.
4. Check mower brake adjustment as described above.
5. To loosen riding mower brake, loosen front locknut (figure 8) on brake rod a turn or two.
6. Tighten rear jam nut.
7. Check mower brake adjustment as described above.
8. Reconnect spark plug wire.



### BLADE DRIVE BELT ADJUSTMENT

When mower blades will not run to full speed or belt slips while mowing, the blade drive belt should be tightened. To adjust:

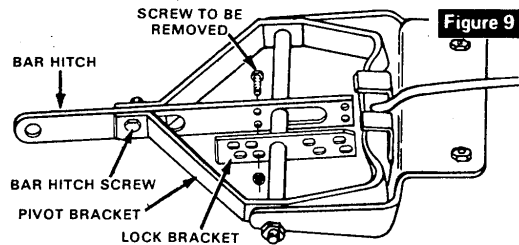
1. Disconnect spark plug wire and place mower clutch lever in disengage position.

2. Remove screw from lock bracket (figure 9).
3. Loosen locknut on bar hitch screw securing bar hitch to pivot bracket (figure 9).
4. Slide mower deck forward to tighten belt. **NOTE:** Only a small amount of movement should be required.
5. Retighten locknut on bar hitch screw.
6. To check adjustment, reconnect spark plug wire, start engine and run engine at FAST engine control setting. Engage mower clutch lever and allow sufficient time for blades to run to full speed, then disengage mower clutch lever. Blades should stop within a few seconds and remain stopped. If blades do not stop or tend to creep, adjustment is too tight.

## DANGER

Keep hands, feet, hair and loose clothing away from any moving parts on engine or riding mower when making any adjustments that require engine to be running. **DO NOT** carry passengers.

7. To loosen blade drive belt, reverse step 4 above.
8. Reinstall and tighten screw in lock bracket through any hole that aligns with one of four holes in bar hitch.



### MOWER DECK LEVELING ADJUSTMENT

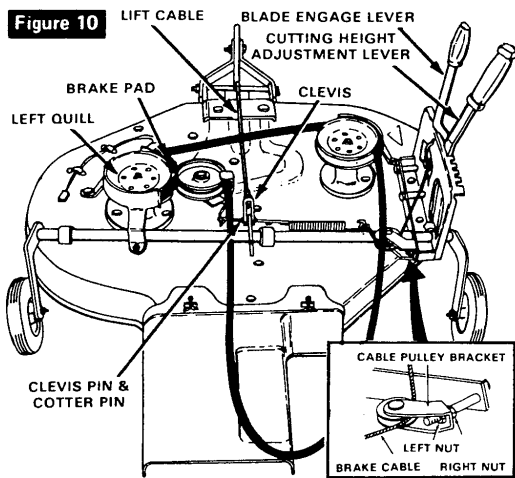
The cutting height (from blade tip to ground) should be from 0 inch to 1/8 inch less at front of deck than at rear of deck. To adjust:

1. Disconnect spark plug wire.
2. Measure height of blade from level floor at front and rear deck (make sure tires are properly inflated). If distances are equal or not more than 1/8 inch less in the front, no adjustment is necessary.
3. If adjustment is necessary, place cutting height adjustment lever in extreme low cut position (full forward).
4. Place a block under front of mower deck (figure 10) to remove weight from the hitch. Lift cable will be slack.
5. Remove cotter pin from clevis pin. Remove clevis pin.
6. Turn rear clevis clockwise to raise front of deck. Turn counterclockwise to lower front of deck. Each 1 1/2 complete turns of clevis represents approximately 1/8 inch change in the front of mower deck.
7. Reinstall clevis and clevis pin. Remove block. Check front and rear measurements. If measurements are correct,

### BLADE BRAKE ADJUSTMENT

Brake pad should completely clear quill assembly when mower clutch lever is in engage position. To adjust:

1. Disconnect spark plug wire and remove deck, see **Mower Deck Removal** paragraph.
2. Set mower clutch lever in disengage position.



3. Check distance mower clutch lever can be moved before brake pad begins to move away from left quill assembly. Lever should move at least  $\frac{1}{2}$  inch, but not more than  $\frac{3}{4}$  inch, away from rear stop on quadrant before brake pad moves.

4. If adjustment is necessary, proceed as follows:

- A. Loosen right nut on cable pulley bracket (inset, figure 10) and tighten left nut to shorten distance blade engage lever travels before moving brake pad.
- B. Loosen right nut then loosen left nut to lengthen distance lever travels.
- C. Tighten right nut after proper lever action has been obtained.

5. Reinstall deck on mower (reverse of removal) and reconnect spark plug wire.

## DRIVE CHAIN ADJUSTMENT

The drive chain that transmits power from the transmission to the rear wheels will wear. The excess slack that develops will have to be removed. To adjust:

1. Disconnect spark plug wire.
2. Set rear of mower up on blocks and remove rear wheels by removing hub caps and E-Rings.
3. Loosen the two bolts in top of each rear axle mounting bracket bearing assembly (see figure 11).

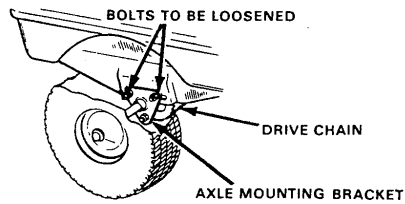


Figure 11

4. Slide right side axle toward rear of mower to remove excess slack in chain.

5. Slide left side axle back an equal amount and compare slot openings on both sides to be sure both axles were moved an equal amount.

6. Retighten axle bracket bolts.

7. Proper tension will permit chain to be depressed approximately  $\frac{1}{8}$  to  $\frac{1}{4}$  inch with light finger pressure on the chain.

8. Adjust brake rod if necessary as instructed in **Riding Mower Brake Adjustment** paragraph.

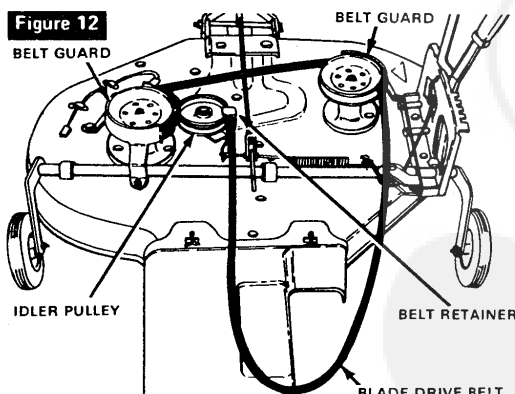
9. Reconnect spark plug wire.

## CARBURETOR ADJUSTMENT

Never make unnecessary adjustments. The factory settings are correct for most applications. If necessary, however, refer to **Engine Operation and Maintenance Manual**.

# MAINTENANCE

Your mower uses two v-belts made of special compounds. If either belt becomes worn or breaks, replace with original equipment belts (see **Repair Parts** section of this manual). **NEVER USE A SUBSTITUTE.**



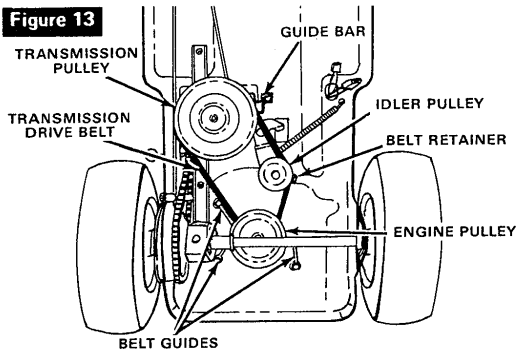
## TO REPLACE BLADE DRIVE BELT

1. Disconnect spark plug wire and remove mower deck (see **Mower Deck Removal** paragraph in **ADJUSTMENT** section of this manual).
2. Note position of belt retainer (crosswise of deck with mower clutch lever in engage position) on idler pulley (figure 12) so that retainer can be reinstalled to proper position. Remove idler pulley.
3. Loosen both mower deck belt guards (figure 12) enough to allow belt to be removed from pulleys.
4. Remove old belt.
5. Replace belt, retighten belt guards and idler pulley and adjust belt retainer on idler pulley (see step 2 above).
6. Adjust belt as described in **Blade Drive Belt Adjustment** paragraph in **Adjustment** section of this manual.
7. Reconnect spark plug wire.

## TO REPLACE TRANSMISSION AND ENGINE DRIVE BELT

1. Disconnect spark plug wire and remove mower deck (see **Mower Deck Removal** paragraph in **Adjustment** section of this manual).

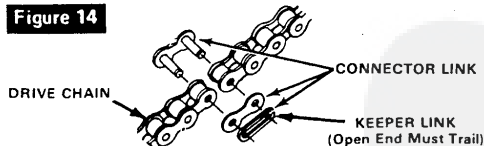
2. Place shift lever in NEUTRAL position.
3. Depress brake-clutch pedal and set parking brake.
4. Loosen screws holding deck guide bar (figure 13) enough to allow belt to pass between guide bar and transmission pulley.
5. Note position of belt retainer on idler pulley (figure 13) so it can be repositioned properly after belt installation. Loosen nut that holds belt retainer to idler pulley and remove belt from pulley.
6. Roll belt off transmission pulley.
7. Spring engine pulley belt guides away from pulley enough to allow belt to be removed from pulley.
8. Replace belt with **genuine replacement part** and reassemble in reverse order of removal. Position idler pulley belt retainer at same angle as it was before loosening.
9. Reposition deck guide bar 1/8 inch from transmission pulley and tighten screws securely.
10. If blade drive belt needs replacement, do so before reinstalling mower deck assembly.
11. Check belt tension and adjust if necessary as instructed in **Riding Mower Drive Belt Adjustment** paragraph in **Adjustment** section of this manual.
12. Reinstall mower deck and reconnect spark plug wire.



### DRIVE CHAIN REPLACEMENT

If drive chain ever needs replacement, replace with an original equipment chain as listed in **Repair Parts** section of this manual.

1. Disconnect spark plug wire.
2. Loosen chain by sliding rear axle forward (see **Drive Chain Adjustment** paragraph in **Adjustment** section of this manual).
3. Locate connector link in chain.
4. Remove keeper link from connector link and remove chain. **NOTE:** Be sure to notice direction of open end of keeper on link so new link can be installed in same manner.
5. Install new chain and secure with connector link (open end of link keeper (figure 14) must trail when chain is moved in direction of forward drive).



6. Adjust chain as instructed in **Drive Chain Adjustment** paragraph in **Adjustment** section of this manual.

7. Check brake adjustment see **Riding Mower Brake Adjustment** paragraph in **Adjustment** section of this manual.

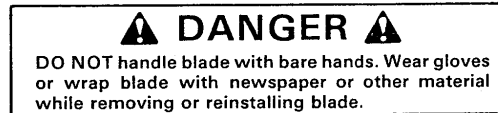
8. Reconnect spark plug wire.

### BLADE REPLACEMENT

The cutting blades should be sharp and well-balanced to run smoothly. Blades should have correct amount of "lift" for proper cutting and discharge of clippings. Lift is created by upturned bent tip edges (figure 15) of blade ends. As cutting edges of blades wear, the bent tip edges also wear, decreasing blade lift, resulting in decreased cutting ability. Because of this, resharpening of blades will not help much. It is recommended that blades be replaced.

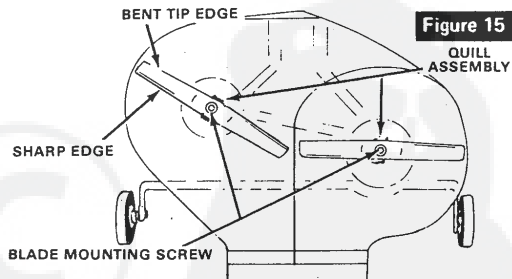
**IMPORTANT: Stop engine, disconnect spark plug wire and inspect blades at once if you strike any solid unyielding object. Check to make sure blade mounting screws are tight. To remove blades:**

1. Disconnect spark plug wire and remove mower deck. See **Mower Deck Removal** paragraph.
2. With a 9/16 inch wrench, remove blade mounting screws (figure 15) by turning screws counter-clockwise.



When replacing blades, be sure all parts are reassembled in proper order (see **Repair Parts Manual** for proper order) or severe vibration will occur. Bent tip edges of blades must be up toward top of mower deck or blades will not cut. **NOTE: Make sure blade mounting screws are tightened securely.** We recommend a 10 inch wrench or a torque wrench. If torque wrench is used, torque blade mounting screws to between 30 and 35 foot pounds.

3. Reinstall mower deck, reconnect deck wire to unit wire harness and reconnect spark plug wire.



### BATTERY MAINTENANCE

Check electrolyte level once a month. If found below middle of UPPER and LOWER LEVEL lines on side of battery, add clean water to restore level. **NEVER ADD ELECTROLYTE!**

If battery needs more than 2 or 3 ounces of water in each cell per month, the charging system may be malfunctioning. Have battery and/or engine checked by a trained serviceman.

When starter operates properly and battery connections are clean and tight but cranking difficulty is experienced, battery may not be charged. Battery should be taken to a qualified service station and tested.

If engine will not start right away under normal cranking speed, continued cranking will run down the battery and may cause damage to starter. Check ignition and fuel systems and correct any faults.

The battery should be kept clean. If the top has an accumulation of dirt or grease, remove the battery from the vehicle for cleaning. The battery should be cleaned with a mild solution of baking soda and water. Brush this on, keeping vent plugs tightly in place to prevent any solution from entering the cells. Allow the solution to work for a few minutes, then rinse with clean water and wipe battery dry. If battery terminals are corroded, clean with a wire brush and coat terminals with petroleum jelly. Be sure to reinstall battery in the same position and properly reconnect battery cables (red to positive, black to negative).

Proper care will lengthen battery life. When replacement becomes necessary, use battery of same size and type for continued trouble-free service (see Repair Parts section of this manual).

### BATTERY REMOVAL

See Steps 1 through 7 in paragraph To Activate Battery in Assembly section of this manual.

### TO CHANGE CRANKCASE OIL

1. Disconnect spark plug wire and remove mower deck. See Mower Deck Removal paragraph in Adjustment section of this manual.
2. Place a flat pan under rear of mower to catch oil.
3. Remove oil drain plug at bottom of oil fill tube (located under main frame on left side of engine) and drain oil into pan. NOTE: Oil fill cap should be loosened to serve as an air vent.
4. After oil has drained, reinstall oil drain plug and wipe off any spilled oil.
5. Refill with oil (see Engine Operation and Maintenance Manual for proper procedure).
6. Reinstall mower deck and reconnect spark plug wire.

### AIR FILTER MAINTENANCE

The air filter should be cleaned and re-oiled after every 25 hours of operation under normal operating conditions; more often under dusty conditions. To clean air filter, proceed as instructed in Engine Operation and Maintenance Manual.

#### ⚠ CAUTION ⚠

Never run the engine without the air cleaner element installed. A defective air cleaner can result in loss of engine power and can cause excessive wear or damage to engine components if dirt or dust is permitted to enter engine through the carburetor. A damaged air cleaner, or one that is clogged with dust or dirt should be replaced immediately.

### SPARK PLUG MAINTENANCE

Spark plug should be checked periodically for excessive carbon and gap. The spark plug gap should be checked with a wire feeler gauge and set at .030 inch.

### ENGINE CARE

See Engine Operation and Maintenance Manual for engine, carburetor and spark plug information.

### LUBRICATION

Lubricate as instructed in Lubrication Chart and Preventive Maintenance Chart.

The transmission and differential have been lubricated for life at the factory.

### WIRING DIAGRAM

The parts diagram on page 22 of this manual is designed to be used as a wiring diagram.

We recommend that unless you are fully qualified to make repairs on the electrical system on this mower, you take it to a competent repairman for such work or adjustments.

## STORAGE

The riding mower should be immediately prepared for storage at the end of the season or if it is to be un-used for 30 days or more. Gasoline, if permitted to stand un-used for extended periods (30 days or more), may develop gummy deposits which can adversely affect the engine carburetor and cause engine malfunction.

#### ⚠ DANGER ⚠

Never store engine with fuel in tank indoors or in enclosed, poorly ventilated enclosures, where fuel fumes may reach an open flame, spark or pilot light as on a furnace, water heater, clothes dryer, etc.

Handle gasoline carefully. It is highly flammable and careless use could result in serious fire damage to your person and/or property.

Drain fuel into an approved container outdoors, away from open flame.

To prepare riding mower for storage, proceed as follows:

1. Clean the riding mower thoroughly.
2. Inspect the riding mower for worn or damaged parts and tighten all loose screws and nuts.

3. Drain fuel from tank and run engine until it stops due to lack of fuel.

4. While engine is still warm, change crankcase oil as instructed in To Change Engine Oil paragraph in Maintenance section of this manual.

5. Remove spark plug and pour one (1) ounce of engine oil through spark plug hole into cylinder. Crank engine several times to distribute oil. Reinstall spark plug.

6. Lubricate all points shown in Lubrication Chart.

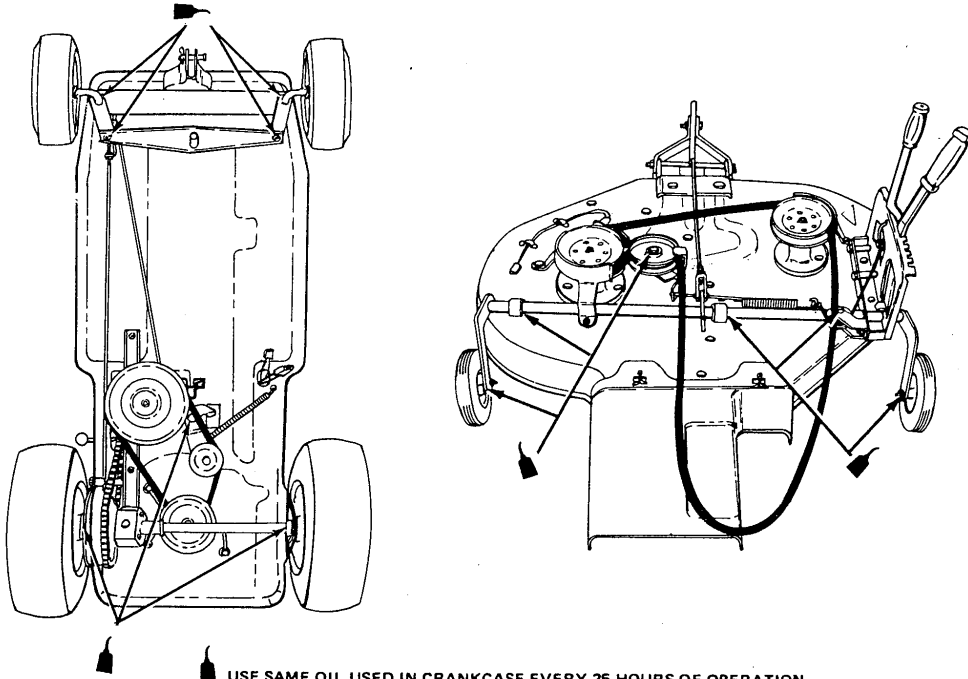
7. Remove battery (see Battery Removal paragraph in Maintenance section of this manual).

8. Clean battery as instructed in Battery Maintenance paragraph in Maintenance section of this manual. Add clean water to raise level to UPPER LEVEL line on side of battery and fully charge battery. A discharge battery will freeze and may burst. If possible, place battery in a cool dry area. Charge battery overnight every 30 days.

9. Store the riding mower in a clean, dry area and cover for additional protection.

A yearly check-up or tune-up by a qualified repairman is a good way of insuring that your riding mower will provide maximum performance for the next season.

## LUBRICATION CHART



■ USE SAME OIL USED IN CRANKCASE EVERY 25 HOURS OF OPERATION.

## PREVENTIVE MAINTENANCE CHART

FREQUENCY	PART	CARE
Before each use:	Engine Crankcase	Check oil level. Add as needed.
After first 5 hours of use:	Check Drive Chain tension and tighten if necessary. Check every 25 hours.	
	Engine Crankcase	Change Oil.
Every 25 hours of use or sooner as needed:	Steering Wheel Shaft	Oil steering mounting bracket.
	Engine Crankcase	Change oil.
	Rear Wheel Bearings	Oil.
	Front Wheel Bearings	Oil.
	Drive Chain	Oil.
	Linkage & Pivot Points	Oil all locations.
	Engine Air Cleaner	Clean and re-oil.
	Tires	Check pressure, 12 to 15 pounds each.
	Battery	Check fluid level.
	Before storage:	Engine
Beginning of season:	All points listed above.	

The following **Trouble Shooting Guide** (2 pages) is designed to apply to all riding type mowers manufactured by Western International Incorporated. Some of the problems and corrections will not apply to your unit.

<b>TROUBLE SHOOTING GUIDE</b>	
<i>DANGER: ALWAYS DISCONNECT SPARK PLUG WIRE BEFORE ATTEMPTING ANY INSPECTION OR ADJUSTMENT.</i>	
PROBLEM	CORRECTION
Mower Cuts Ragged or Uneven	<ol style="list-style-type: none"> <li>1. Remove any accumulation of grass clippings from underside of mower deck housing.</li> <li>2. Make certain blades are sharp and in good condition (not bent or incorrectly mounted).</li> <li>3. Check blade mounting screw(s). Blade screw(s) must be tight.</li> <li>4. Check mower deck leveling adjustment per manual. Adjust if necessary.</li> <li>5. Check blade belt tension per manual. Adjust if necessary.</li> <li>6. Check quill assembly(s) for damage or wear. Replace if necessary.</li> <li>7. Check for possible damage to mower deck housing. Repair or replace if necessary.</li> <li>8. Check pivot tube assembly for damage. If bent or damaged, repair or replace.</li> </ol>
Mower Leaves Unmowed Strip Between Blades	<ol style="list-style-type: none"> <li>1. Mowing a heavy strand of grass or grass with excessive surface moisture could allow mower to leave an unmowed strip. Mow counterclockwise (side discharge only). <b>Do not</b> mow wet grass.</li> <li>2. Forward speed should be adjusted to mowing conditions by gear selection. Engine should be run at full throttle.</li> <li>3. Make certain blades are sharp and in good condition. Replace if necessary.</li> <li>4. Check blade belt tension. Adjust if necessary.</li> <li>5. Check quill assembly(s) for damage or wear. Replace if necessary.</li> <li>6. Check for damage to mower deck housing. Repair or replace if necessary.</li> </ol>
Mower Scalps Lawn	<ol style="list-style-type: none"> <li>1. Check mower height adjustment setting and readjust if needed. Scalping is more likely on rough or uneven lawns.</li> <li>2. Check for damage to mower deck housing. Repair or replace if necessary.</li> <li>3. Check for bent blade(s) or quill assembly(s). Replace if necessary.</li> <li>4. Check mower deck leveling adjustment and adjust if necessary.</li> </ol>
Mower Will Not Discharge Clippings	<ol style="list-style-type: none"> <li>1. Remove any accumulation of grass clippings from underside of mower deck housing.</li> <li>2. Wet conditions can cause the discharge chute and underside of mower deck to become plugged with clippings. <b>Do not</b> mow wet grass.</li> <li>3. Forward speed should be adjusted to mowing conditions by gear selection. Engine should be run at full throttle.</li> <li>4. When mowing long grass make first cutting in high position, then recut at normal cutting height.</li> <li>5. Check blade belt tension per manual. Adjust if necessary.</li> <li>6. If blade(s) have been replaced, make sure they have been correctly mounted.</li> </ol>
Blade Drive Belt Comes Off During Use	<ol style="list-style-type: none"> <li>1. Blade drive belt may suffer internal damage to cords when it comes off during use. If belt still comes off after checking all steps below, replace belt with a new original equipment belt.</li> <li>2. Check belt tension per manual. Adjust if necessary.</li> <li>3. Check belt guide. Correct clearance is 1/16 inch from belt when blade engage lever is engaged.</li> <li>4. Check mower deck leveling adjustment per manual. Adjust if necessary.</li> <li>5. Check for and remove any foreign objects interfering with belt travel.</li> <li>6. Check all pulleys on mower deck. A bent or split pulley could cause problems. Replace if necessary.</li> <li>7. Check engine drive pulley inner surface. If inner surface is rough or split, pulley should be replaced.</li> <li>8. Check blade throw-out assembly for wear. Replace necessary parts.</li> </ol>
Blade Drive Belt Slips	<ol style="list-style-type: none"> <li>1. If grass is too high or wet, belt slippage may occur.</li> <li>2. Check belt for wear or damage. Replace if necessary.</li> <li>3. Check blade belt tension per manual. Adjust if necessary.</li> <li>4. Check blade drive belt tension spring. If spring is stretched or damaged, replace spring.</li> </ol>
Blade Drive Belt Wears Excessively	<ol style="list-style-type: none"> <li>1. Check all belt guides. Correct clearance is 1/16 inch from belt when blade engage lever is engaged.</li> <li>2. Check for and remove any foreign objects interfering with belt travel.</li> <li>3. Check pulleys for damage. Replace if necessary.</li> <li>4. Make certain belt brake is clearing belt when mower is engaged. If brake cable is too long or broken, adjust or replace.</li> <li>5. Make certain mower deck leveling adjustment is correct. Adjust if necessary.</li> <li>6. Check blade belt tension per manual. Adjust if necessary.</li> </ol>
Blade(s) Will Not Engage	<ol style="list-style-type: none"> <li>1. Check belt. If worn or broken, replace. If belt is too loose, make belt adjustment.</li> <li>2. Check engagement spring on deck engagement idler. If broken or damaged, replace.</li> <li>3. Check for and remove any foreign objects interfering with engagement idler travel.</li> </ol>
Blade(s) Will Not Disengage	<ol style="list-style-type: none"> <li>1. Check blade belt tension per manual. Adjust if necessary.</li> <li>2. If blade drive belt adjustment will not provide enough slack in drive belt, replace with correct <b>Original Equipment Belt</b>.</li> <li>3. Check for and remove any foreign objects interfering with engagement idler travel.</li> </ol>

## TROUBLE SHOOTING GUIDE (Continued)

**DANGER: ALWAYS DISCONNECT SPARK PLUG WIRE BEFORE ATTEMPTING ANY INSPECTION OR ADJUSTMENT.**

PROBLEM	CORRECTION
Extreme Vibration Occurs When Blade is Engaged	<ol style="list-style-type: none"> <li>1. Check blade(s) and make certain they are not bent, out of balance or loose. Replace if necessary.</li> <li>2. Check belt for burn spots or irregularities that might cause vibration. Replace if necessary.</li> <li>3. Check quill assembly(s) for damage or wear. Replace if necessary.</li> <li>4. Check for worn or damaged blade engagement parts. Repair or replace as necessary.</li> <li>5. Check engine drive pulley inner surface. If inner surface is rough or split, pulley should be replaced.</li> <li>6. Check under side of mower deck housing for accumulation of clippings. Remove accumulated clippings.</li> <li>7. Check for loose or damaged engine mounts. Tighten or replace as necessary.</li> <li>8. Check blade belt tension per manual. Adjust if necessary.</li> </ol>
Deck or Deck Wheel Hits Rear Wheel and Tire Assembly	<ol style="list-style-type: none"> <li>1. Deck drive belt adjustment is too tight. Readjust.</li> <li>2. Other than <b>Original Equipment Belt</b> is being used and is either too long or stretched. Replace belt.</li> <li>3. Belt is worn. Replace with new <b>Original Equipment Belt</b>.</li> <li>4. Check pivot tube assembly for damage. Repair or replace if necessary.</li> </ol>
Deck Lift Cable Broken	<ol style="list-style-type: none"> <li>1. Check operating procedure. Excessive ground speed on rough lawn may cause mower deck bounce, resulting in lift cable failure.</li> <li>2. Remove excessive clippings from underside of mower deck housing (build-up of clippings adds excessive weight to mower deck).</li> </ol>
Unit Drive Belt Slips	<ol style="list-style-type: none"> <li>1. Check unit drive belt adjustment(s). Adjust if necessary.</li> <li>2. Check for damaged or broken clutching idler spring. Replace if necessary.</li> <li>3. Check belt(s) for wear or damage. Replace if necessary.</li> <li>4. Check for and remove any foreign objects obstructing clutching idler mechanism.</li> <li>5. Check for split engine or transmission pulley. Replace if necessary.</li> <li>6. Check for damaged engine mounts (shock mounted engine only). Replace if necessary.</li> </ol>
Unit Drive Belt Squeals When Brake is Applied	<ol style="list-style-type: none"> <li>1. Check riding mower drive belt adjustment and riding mower brake adjustment per manual. Adjust if necessary.</li> <li>2. Check for and remove any foreign objects obstructing vari-speed or clutching idler mechanism.</li> </ol>
Unit Drive Belt Comes Off During Use	<ol style="list-style-type: none"> <li>1. Check belt tension. Adjust if necessary.</li> <li>2. Check belt guides. Adjust if necessary.</li> <li>3. Check for split or damaged pulley(s). Replace if necessary.</li> <li>4. Check clutching idler pulley alignment. If out of alignment, idler bracket may be bent. Replace if necessary.</li> </ol>
Unit Will Not Propel Itself When Clutch is Engaged	<ol style="list-style-type: none"> <li>1. See <b>Steps 1 through 6</b> in <b>Unit Drive Belt Slips</b> section of this chart.</li> <li>2. Check engine, transmission or transaxle pulley(s) for sheared or missing key. Replace if necessary.</li> <li>3. Check transmission or transaxle to make certain it is operable. Make certain chain (chain drive units only) is intact.</li> </ol>
Extreme Vibration Occurs When Clutch is Engaged (Let-Out)	<ol style="list-style-type: none"> <li>1. Check for split or damaged pulley(s). Replace if necessary.</li> <li>2. Check belt for irregularities or burned spots. Replace if necessary.</li> <li>3. Make certain belt tension is correct. Adjust if necessary.</li> <li>4. Check clutching idler assembly for wear or damage. Replace parts as necessary.</li> <li>5. On chain drive units, check sprockets for proper alignment and chain damage. Replace if necessary.</li> <li>6. Check for loose or damaged engine mounts. Tighten or replace as necessary.</li> </ol>
Unit Will Not Shift or Shifts Hard	<ol style="list-style-type: none"> <li>1. Check shifting procedure. Unit <b>MUST</b> come to a complete stop before shifting.</li> <li>2. Check riding mower drive belt adjustment and riding mower brake adjustment per manual. Adjust if necessary.</li> <li>3. Have transmission or transaxle checked by a competent repairman</li> </ol>
Steering Slips or is Loose	<ol style="list-style-type: none"> <li>1. Check for steering sector gear and pinion looseness. If gears are loose, make sector gear adjustment.</li> <li>2. Check ball joints for wear. Replace if necessary.</li> </ol>
Engine Will Not Turn Over	<ol style="list-style-type: none"> <li>1. Check starting procedure. Make sure starting instructions are followed.</li> <li>2. Check fuse (if so equipped).</li> <li>3. Check battery for charge. Make sure battery has been activated and charged (on new units).</li> <li>4. On new units, remove spark plug and check cylinder for accumulation of oil due to improper handling.</li> <li>5. Make visual check of electrical system to make sure all connections and lockout switches are secure.</li> <li>6. Check engine according to engine manufacturers instructions.</li> <li>7. Have electrical system checked by a competent repairman.</li> </ol>
Engine Turns Over But will Not Start	<ol style="list-style-type: none"> <li>1. Check starting procedure. Make sure starting instructions are followed.</li> <li>2. Make certain fuel tank is filled with clean, fresh gasoline.</li> <li>3. Make certain fuel shut-off is open (if so equipped).</li> <li>4. Make certain that throttle is in start or fast position.</li> <li>5. Check engine according to engine manufacturers instructions.</li> <li>6. On recoil start unit, make visual check of wiring system to make sure all connections and lockout switches are secure.</li> <li>7. Have wiring and lockout switches (on recoil start unit) checked by a competent repairman.</li> <li>8. Check fuel filter for obstructions.</li> </ol>

## REPAIR PARTS

### 32" RIDING MOWER MODELS 3280-0200, 3280-0300 & 3280-0400

ALWAYS GIVE THE FOLLOWING INFORMATION WHEN ORDERING REPAIR PARTS:

1. The PART NUMBER; 2. The PART NAME; 3. QUANTITY DESIRED; 4. The MODEL NUMBER (As shown on Model Plate)  
SEND PART ORDERS AS PER INSTRUCTIONS ON THE FRONT PAGE

YOUR UNIT IS RIGHT HAND (RH) OR LEFT HAND (LH) AS YOU STAND BEHIND IT.

DO NOT USE KEY NUMBERS WHEN ORDERING REPAIR PARTS, ALWAYS USE PART NUMBERS.

All replacement parts will be supplied in current production colors or in a neutral color.

A handling fee is applicable to small parts orders.

Key No.	Part No.	Description	Key No.	Part No.	Description
1	9413534	Locknut, 5/16 Thd.	42	55488	Belt Guide
2	44462	Spacer	43	122007	*Screw, Hex Hd, 5/16-18 x 3/4 In.
3	44015	Mount, Rubber, Upper	44	138485	Washer, Shakeproof, 5/16 In.
4	43955	Bracket, Vibration, L.H.	45	35410	Spring, Idler
5	138489	Lockwasher, Ext. 3/8 In.	46	21882	Spacer
6	122145	*Screw, Hex Hd, 5/16 x 1 1/4 In.	47	55464	Channel, Stiffener
7	43954	Bracket, Vibration, R.H.	48	55548	Main Frame
8	Engine	§See Footnote Below	49	55461	Clutch Rod
9	55453	Quadrant	50	41890	Shoulder Bolt
10	35497	Screw, Taptite, 5/16-18 x 1/2 In.	51	55467	Arm, Idler
11	42860	Knob, Shift Lever	52	48253	Flatwasher, 3/8 In.
12	55443	Lever, Shift	53	45892	Carriage Bolt, 5/16 x 1 1/2 In.
13	271172	Nut, Keps, 1/4-20 Thd.	54	274517	*Flatwasher, 13/32 In.
14	126203	Carriage Bolt, 1/4-20 x 5/8 In.	55	39659	Retainer, Belt
15	54686	Screw, Nylock, 1/2-28 x 3/4 In.	56	35374	Pulley, Idler
16	9421393	*Flatwasher, 9/32 In.	57	55448	Brake Arm
17	50618	Spacer	59	120386	*Flatwasher, 5/16 In.
18	55446	Plate, Spring	60	55447	Pin, Brake Anchor
19	Transmission	†Peerless, Model 776	61	40394	Hub Cap, Rear
20	9413447	Locknut, 5/16-18 Thd.	62	36625	*Retaining Ring
21	120638	*Lockwasher, Split, 5/16 In.	63	42815	Flatwasher, 3/4 In.
22	122119	*Screw, Hex Hd, 5/16 x 3/4 In.	64	47596	Bracket, Bearing Retainer
23	120228	Screw, Hex Hd, 5/16-18 x 5/8 In.	63	35345	Bearing, Self-Aligning
24	122017	Screw, Hex Hd, 5/16-18 x 1 In.	66	25840	Spring Washer
25	126211	*Carriage Bolt, 5/16-18 x 5/8 In.	67	55463	Brace, Brake Pin
26	122027	*Screw, Hex Hd, 5/16-18 x 1 1/4 In.	68	55449	Band, Brake
27	55451	Guide, Mower Deck	69	55491	Chain Assembly
28	3021	Key, Woodruff No. 606	70	54952	Drum, Brake
29	55455	Pulley, Transmission	71	20307	Link, Connector
30	55450	V-Belt	72	55456	Sprocket, 45 Tooth
31	22053	Retaining Ring	73	55458	Differential
32	120383	*Lockwasher, Split, 7/16 In.	74	642	Flatwasher, 3/4 In.
33	123567	*Screw, Hex Hd, 7/16-20 x 1 In.	75	52823	Spacer, Differential
34	33200	Key, Square, 1/4 x 1/4 x 1 1/2 In.	76	39628	Key, Square
35	51882	Pulley, Engine	77	271184	*Nut, Keps, 5/16-18 Thd.
36	44016	Mount, Rubber, Lower	78	41081	Tire, Rear
37	42273	Insert, Steel, Vibration Mount	79	24167	Valve Stem
38	180112	*Screw, Hex Hd, 5/16-18 x 2 3/4 In.	80	36182	Wheel, Rear
39	44739	Belt Guide	81	62875	Owner's Manual (Not Illustrated)
40	446363	*Flatwasher, 3/8 In.			
41	39728	Screw, Taptite, 5/16 x 3/4 In.			

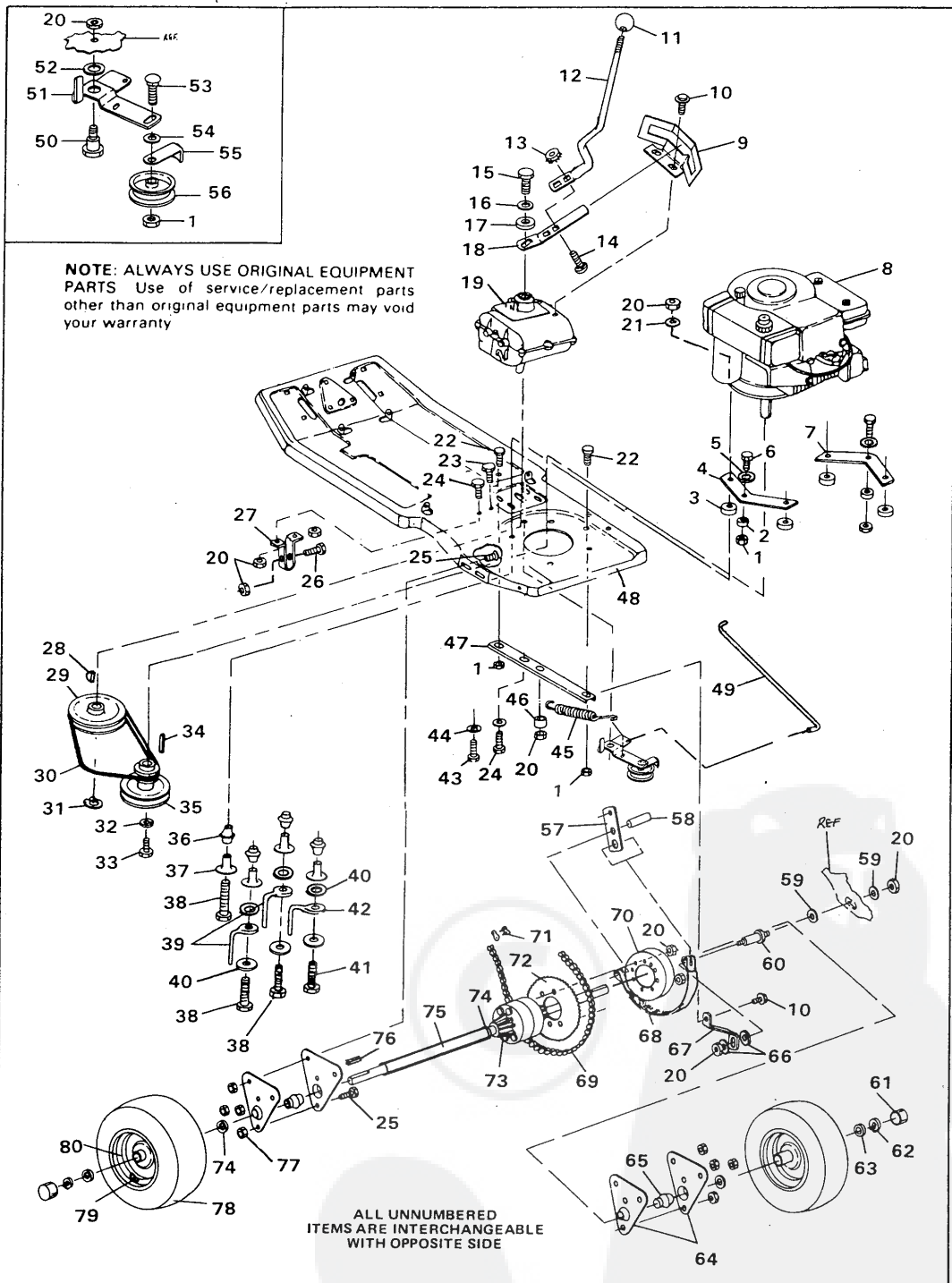
\*Standard Hardware Items - May Be Purchased Locally.

†Contact Tecumseh/Peerless authorized service dealer for parts and warranty.

§Contact Engine Manufacturer's authorized service dealer (See Engine Manual) for parts and warranty.



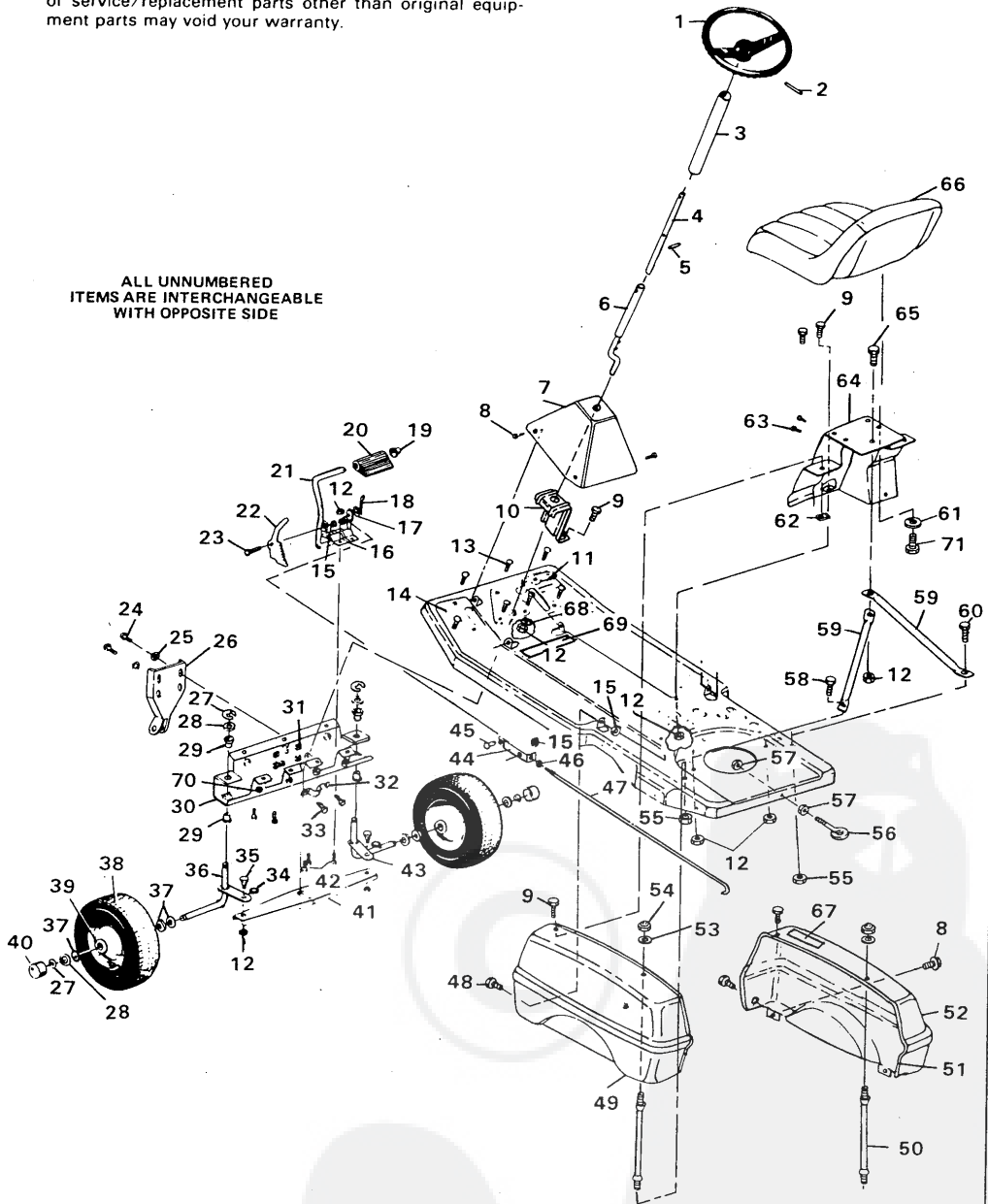
32" RIDING MOWER MODELS 3280-0200, 3280-0300 & 3280-0400



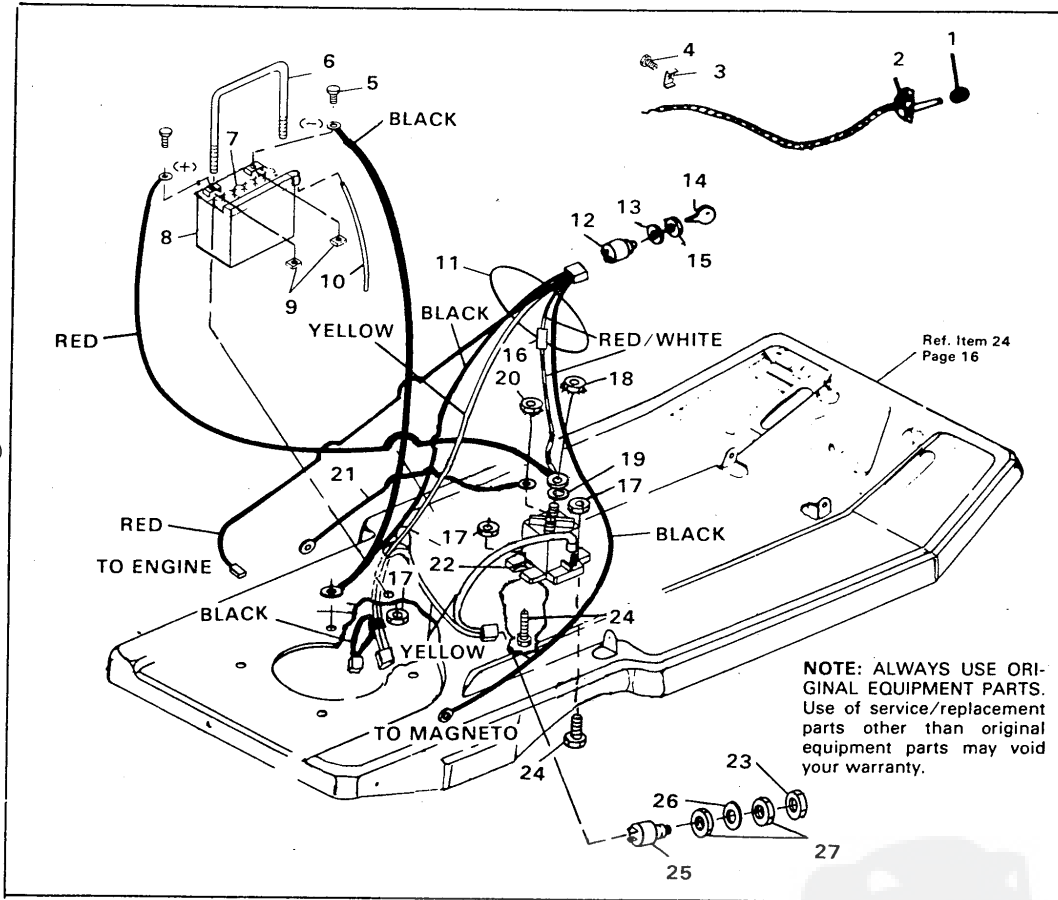
**32" RIDING MOWER MODELS 3280-0200, 3280-0300 & 3280-0400**

**NOTE: ALWAYS USE ORIGINAL EQUIPMENT PARTS.** Use of service/replacement parts other than original equipment parts may void your warranty.

**ALL UNNUMBERED ITEMS ARE INTERCHANGEABLE WITH OPPOSITE SIDE**



32" RIDING MOWER MODELS 3280-0200, 3280-0300 & 3280-0400



Key No.	Part No.	Description
1	39486	Knob, Throttle Control
2	52056	Throttle Control
3	27521	Clip, Throttle Control
4	995363	*Screw, Hex Hd, No. 10-32 x 5/8 In.
5	55529	Screw, Special
6	55471	Bracket, Battery
7	55670	Cap, Battery
8	55472	Battery
9	55530	Nut
10	55636	Tube, Battery Vent
11	55470	Wire Harness Assembly
12	44745	Ignition Switch
13	138557	Lockwasher (Ignition Switch Part)
14	49643	Key, Ignition

Key No.	Part No.	Description
15	48140	Nut (Ignition Switch Part)
16	49211	Fuse
17	9424215	Locknut, 1/4-20 Thd
18	271187	*Nut, Keps, 5/16-24 Thd
19	138485	Washer, Shakeproof, 5/16 In.
20	271172	*Nut, Keps, 1/4-20 Thd
21	51903	Wire Assembly
22	53716	Solenoid
23	56635	Nut, Hex, 15/32-32
24	187745	*Screw, Hex Hd, 1/4-20 x 3/4 In.
25	41204	Switch, Safety
26	45878	Lockwasher (Safety Switch Part)
27	45877	Nut (Safety Switch Part)

\*Standard Hardware Items - May Be Purchased Locally.