

REPAIR PARTS MANUAL

32" - 8 H.P. RIDING MOWER

MODEL 3280-14

ONE YEAR LIMITED WARRANTY

For one (1) year from date of purchase by the first consumer for residential use (thirty (30) days commercial use), NOMA Outdoor Products Incorporated warrants that it will replace free of charge, including labor, any original part of any NOMA Outdoor Products Incorporated product found to be defective by any authorized Service Dealer or the factory, except the battery which is warranted for ninety (90) days from date of purchase.

This warranty does not cover engine, transmission, transaxle or differential (these items are covered by their manufacturer's own warranty). This warranty does not cover parts that have failed due to normal wear or parts that have failed subject to misuse or abuse. Transportation of the unit or part to and from an authorized Service Dealer or factory is the responsibility of the owner.

A step by step explanation as to what procedure should be followed for this Warranty is:

1. If a part becomes defective, contact the store where the unit was purchased for the name and address of the authorized Service Dealer nearest to you.
2. If you cannot locate an authorized Service Dealer, write Service Department of NOMA Outdoor Products Incorporated for the name and address of the authorized Service Dealer in your area or call the Service Department at 1-901-422-1690.
3. Return the defective product, along with proof of purchase to such authorized Service Dealer for replacement of any defective part where covered by this warranty.

There is no other express warranty. Implied warranties, including those of merchantability and fitness for a particular purpose are limited to one (1) year from date of purchase. Liability for incidental or consequential damages are excluded.

Some states do not allow limitations on how long an implied warranty lasts, so the above limitation may not apply to you. Some states do not allow the exclusion of incidental or consequential damages, so the above exclusion may not apply to you. This warranty gives you specific legal rights, and you may have other rights which vary from state to state.

NOMA Outdoor Products Incorporated

Caller 8000

Jackson, TN 38308-8000

UNIT PARTS AND SERVICE

This manual contains instructions for safety, assembly and maintenance. Read this manual carefully and completely so that you will know proper assembly, use and care of your unit. Also fill in and mail the registration card packed with the unit. For service other than covered in this manual, contact an authorized service dealer. A nationwide parts and service organization has been established to provide locally available parts and service. A list of authorized parts distributors has been included in this manual. When ordering repair parts, always give the following information: 1. The Part Name; 2. The Part Number; 3. The Quantity desired; 4. The Full (eight digit) Model Number of the unit. The model number will be found on a plate attached to the unit.

Look for this symbol.



It means - ATTENTION! BECOME ALERT! A HAZARD TO OPERATOR, BYSTANDER, PROPERTY OR EQUIPMENT MAY EXIST.

NOMA Outdoor Products Incorporated
Caller 8000
Jackson, TN 38308-8000

Part No. 310002

2889

Price \$2.00

Printed in U.S.A.



OPERATIONAL PRECAUTIONS



THESE INSTRUCTIONS ARE FOR YOUR PROTECTION. PLEASE READ THEM CAREFULLY.

1. Know the controls and how to stop quickly. **READ THIS OWNER'S MANUAL** and instructions furnished with attachments.
2. Wear safety glasses or eye shields when assembling or operating riding mower.
3. Do not allow children to operate the machine. Do not allow adults to operate it without proper instruction.
4. Do not carry passengers. Do not mow when children and others are around. Disengage power to blades(s) or attachment(s) and stop the engine while others are in the vicinity of the mower.
5. Battery fluid (electrolyte) is an **ACID** and is extremely dangerous. Do not smoke while servicing the battery. Do not service the battery near a open flame or spark.
6. Handle gasoline with care, it is highly flammable.
 - A. Use approved gasoline container.
 - B. Never remove the fuel cap of, or add gasoline to, a running or hot engine, or an engine that has not been allowed to cool for several minutes after running. Never fill the tank indoors and always clean up spilled fuel immediately.
 - C. Do not smoke while filling fuel tank.
 - D. Do not run the engine indoors. Open doors if engine must be run in garage. Exhaust fumes contain **CARBON MONOXIDE**, an **ODORLESS** and **DEADLY GAS**.
7. Check fuel supply before each use allowing space for expansion as the heat of the engine and/ or sun can cause gasoline to expand.
8. Do not operate mower when barefooted. Always wear substantial footwear, preferably steel-toed shoes. Do not wear loose fitting clothing that could get caught in moving parts.
9. Clear the work area of objects (wire, rocks, etc.) which might be picked up and thrown. Check all controls for proper function.
10. Disengage all attachment clutches, shift to neutral, and set parking brake before attempting to start the engine (motor). When starting engine equipped with a pull starter, stand firm and make sure your feet are well away from the blade(s).
11. Disengage power to blade(s) or other attachments(s) and stop the engine (motor) before leaving the operator's position. Always dismount from the left side.
12. Disengage power to blade(s) or other attachment(s) and stop the engine (motor) before making any repairs or adjustments.
13. Disengage power to blade(s) or other attachment(s) when transporting or not in use.
14. Take all possible precautions when leaving the vehicle unattended, such as disengaging power to blade(s) or attachment(s), lower the attachment(s), setting the parking brake, stopping the engine (motor), and removing the key.
15. Do not stop or start suddenly when going uphill or downhill. Mow up and down the face of steep slopes; never across the face.
16. Reduce speed and exercise extreme caution on slopes and in sharp turns to prevent tipping or loss of control. Be especially cautious when changing direction on slopes.
17. Stay alert for holes, rocks, and roots in the terrain and other hidden hazards. Keep away from drop-off. Never operate your riding mower on wet or slippery grass or at a speed which could cause a skid. Exercise care when mowing around a fixed object to prevent the blade(s) from striking it. Never deliberately run over any foreign object.
18. Always disengage blade control lever before attempting to remove the mower from a hole or other obstruction.
19. Use care when pulling loads or using heavy equipment.
 - A. Use only approved drawbar hitch points.
 - B. Limit loads to those that you can safely control.
 - C. Do not turn sharply. Use care when backing.
 - D. Use counterweight(s), wheel weights or tire chains when suggested in attachment(s) instructions.
20. Watch for traffic when crossing or near roadways.
21. When using attachment(s), never direct discharge of material toward bystanders nor allow anyone near the vehicle while in operation.
22. Keep the vehicle and attachments in good operating condition, and keep safety devices in place and in working condition.
23. Keep all nuts, bolts, and screws tight to be sure the equipment is in safe working condition.
24. Never store the equipment with gasoline in the tank inside a building where fumes may reach an open flame or spark. Allow the engine to cool before storing in any enclosure.
25. To reduce fire hazard, keep the engine free of grass, leaves or excessive grease.
26. The vehicle and attachments should be stopped and inspected for damage after striking a foreign object, and the damage should be repaired before restarting and operating the equipment.
27. Do not change the engine governor settings or over-speed engine.
28. When using the vehicle with mower, proceed as follows:
 - A. Mow only in daylight or in good artificial light.
 - B. Never make a cutting height adjustment while the engine (motor) is running if the operator must dismount to do so.
 - C. Shut the engine (motor) off when removing the grass catcher or unclogging chute.
 - D. Check the blade mounting bolts for proper tightness at frequent intervals.
29. Under normal usage, the grass catcher bag material is subject to deterioration and wear. Check the bag frequently for deterioration and wear and replace worn bags. Check that replacement bags comply with the original manufacturer's recommendations or specifications.
30. Disengage power to mower before backing up. Do not mow in reverse unless absolutely necessary and then only after careful observation of the entire area behind the mower.

OWNER'S INFORMATION

Record the following information about your unit so that you will be able to provide it in case of loss or theft.

MODEL NUMBER: - (Enter complete 8 digit number from model plate on unit)

PURCHASE DATE: ___ / ___ / ___ CODE NO.: _____ SERIAL NO.: _____

DEALER'S NAME AND ADDRESS: _____

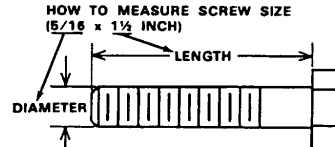
CITY: _____ STATE: _____ TELEPHONE: _____

CONTENTS OF SHIPPING CARTON

- 1 - 32 inch Riding Mower
- 1 - Operator's Manual
- 1 - Repair Parts Manual
- 1 - Engine Manual
- 1 - Steering Wheel
- 1 - Steering Tube
- 1 - Decorative Tube (steering shaft cover)
- 1 - Console
- 1 - Seat
- 1 - Chute Deflector
- 1 - Battery Acid Pack
- 1 - Bag of Assembly Parts Containing:
 - 2 - Knobs (mower clutch and shift levers)
 - 1 - Pivot Rod
 - 1 - Spring
 - 1 - Push Nut
 - 1 - 1/8 x 1-1/2 inch Cotter Pin
 - 1 - 29/32 inch Flatwasher
 - 1 - 3/16 x 1-1/4 inch Roll Pin
 - 1 - 1/4 x 2-1/4 inch Roll Pin
- 1 - Bag of Seat Mounting Parts Containing:
 - 4 - 5/16 x 3/4 inch Hex Head Screws
 - 4 - 21/64 inch Split Lockwashers
 - 4 - 11/32 inch Flatwashers

TOOLS REQUIRED FOR ASSEMBLY

- 1 - 7/16 inch Wrench (or adjustable wrench)
- 1 - 1/2 inch Wrench (or adjustable wrench)
- 2 - 9/16 inch Wrenches (or adjustable wrenches)
- 1 - 3/8 inch Wrench (or adjustable wrench)
- 1 - Screwdriver or Pliers (to spread cotter pin)
- 1 - Phillips Screwdriver
- 1 - Hammer (plastic or rawhide preferred)



DANGER



This riding mower can be dangerous if carelessly used.

Read Owner's Manual thoroughly before operating riding mower.

Always wear safety glasses or eye shields while assembling or operating riding mower.

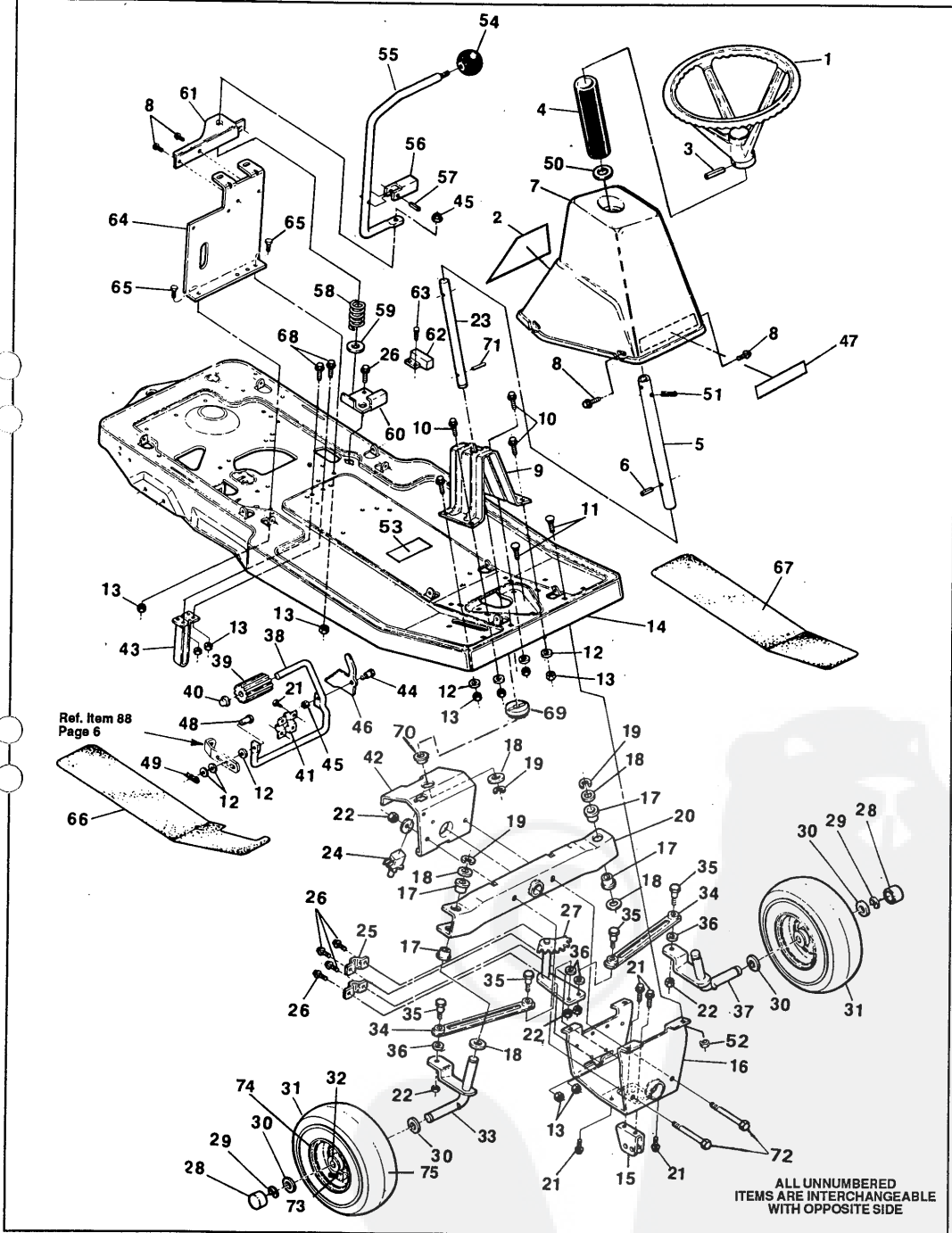
DO NOT carry passengers at any time.

Keep hands, feet, hair and loose clothing away from discharge area, underside of mower deck or any moving parts while engine is running.

DO NOT allow children or young teenagers to operate or be near riding mower while it is operating.

RIDING MOWER REPAIR PARTS

32" RIDING MOWER MODEL 3280-14

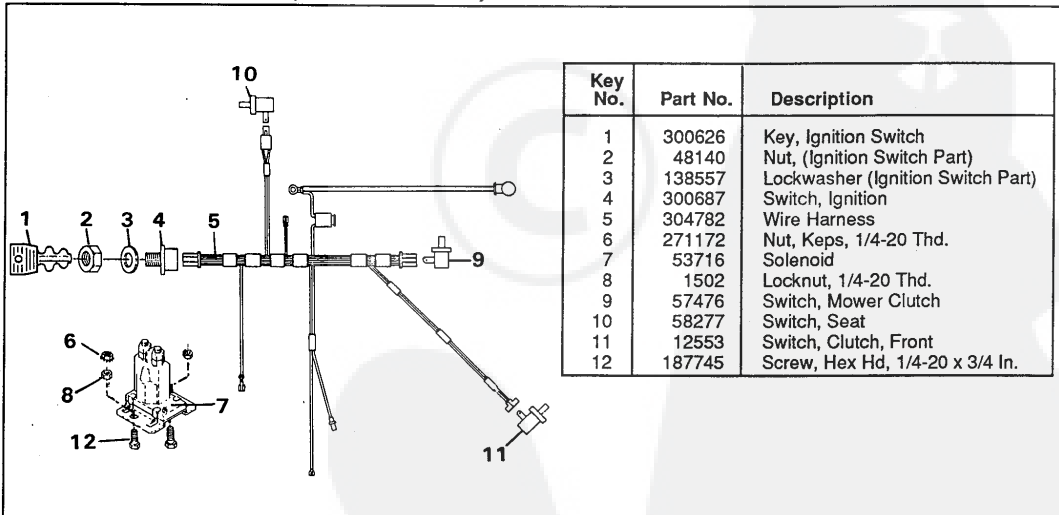


32" RIDING MOWER MODEL 3280-14

Key No.	Part No.	Description
1	301465	Wheel Steering
2	307275	Decal, Instruction
3	456836	Roll Pin, 1/4 x 2-1/4 In.
4	305605	Tube, Steering, Decorative
5	300797	Tube, Steering
6	454565	Spring Pin, 3/16 x 1 1/4 In.
7	302805	Console
8	995346	*Screw, Taptite, 1/4-20 x 1/2 In.
9	305023	Support, Steering
10	48901	Screw, Hex Wa Hd, 5/16-18 x 5/8 In.
11	126211	*Carriage Bolt, 5/16-18 x 5/8 In.
12	120393	*Flatwasher, 11/32 In.
13	1498	Locknut, 5/16-18 Thd.
14	305623	Main Frame
15	302800	Hanger
16	302807	Axle Bracket, Front
17	12552	Bushing, Spindle
18	4107	Flatwasher
19	20859	Retaining Ring
20	303066	Front Axle Assembly
21	35497	Screw, Tapite, 5/16-18 x 1/2 In.
22	1499	Locknut, 3/8 - 16 Thd.
23	302768	Shaft, Steering
24	12553	Switch, Front Clutch
25	302760	"U" Bracket
26	120228	Screw, Taptite, 5/16-18 x 5/8 In.
27	302958	Steering Shaft Assembly
28	36832	Hub Cap, Front
29	20859	Retaining Ring
30	40677	Flatwasher, 5/8 In.
31	305508	Wheel & Tire Assembly
32	301137	Bearing, Wheel, Front
33	303148	Spindle, R. H.
34	303140	Tie Rod Assembly
35	122145	*Screw, Hex Hd, 3/8-16 x 1-1/4 In.
36	120382	*Lockwasher, Split, 25/64 In.
37	303147	Spindle, L. H.
38	303249	Lever Assembly, Clutch/Brake
39	52840	Pad, Clutch/Brake Pedal
40	44582	Push Nut

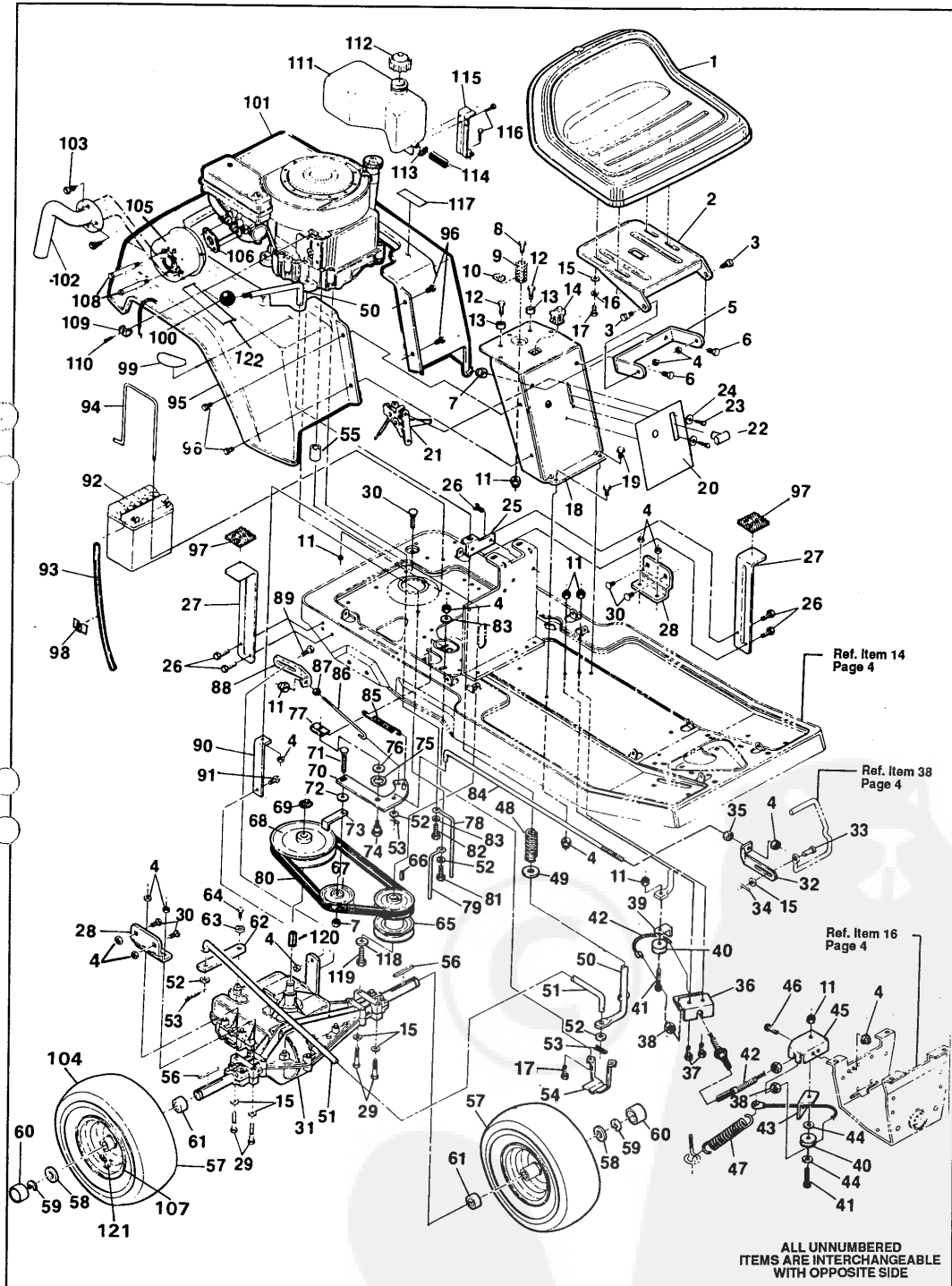
Key No.	Part No.	Description
41	44112	Bracket, Clutch/Brake
42	302799	Axle Bracket
43	300574	Deck Guide
44	3275	Shoulder Bolt
45	1502	Locknut, 1/4-20 Thd.
46	302955	Lever, Parking Brake
47	303268	Decal, 8 H. P.
48	39522	Pin, Clevis
49	8260	Hairpin Cotter
50	301702	Flatwasher, 29/32 In.
51	120123	*Pin, Cotter, 1/8 x 1-1/2 In.
52	45174	Locknut, 5/16-18 Thd.
53	70117	Decal, Caution
54	55514	Knob, Lever
55	302881	Lever, Mower Clutch
56	305225	Stop, Mower Clutch Lever
57	455481	Pin, Spiral, 3/16 x 1 In.
58	304398	Spring
59	302921	Retainer
60	305226	Bracket, Mower Clutch Lever Limit
61	305427	Bracket, Mower Clutch Lever Support
62	57476	Switch, Mower Clutch
63	57220	Screw, No. 12 x 1/2 In.
64	305626	Support, Seat/Shift
65	48901	Screw
66	306494	Foot Pad, R. H.
67	306495	Foot Pad, L. H.
68	122007	*Screw, Hex Hd, 5/16-18 x 3/4 In.
69	302766	Pinion
70	304010	Bearing, Flange
71	454565	Roll Pin
72	122201	Screw, 3/8-16 x 2-3/4 In.
73	24167	Valve Stem
74	301175	Wheel w/Bearing, Front
75	42295	Tire
76	305611	Operator's Manual (Not Illustrated)
77	310002	Parts Manual (Not Illustrated)

(* Standard Hardware Items - May Be Purchased Locally.)



Key No.	Part No.	Description
1	300626	Key, Ignition Switch
2	48140	Nut, (Ignition Switch Part)
3	138557	Lockwasher (Ignition Switch Part)
4	300687	Switch, Ignition
5	304782	Wire Harness
6	271172	Nut, Keps, 1/4-20 Thd.
7	53716	Solenoid
8	1502	Locknut, 1/4-20 Thd.
9	57476	Switch, Mower Clutch
10	58277	Switch, Seat
11	12553	Switch, Clutch, Front
12	187745	Screw, Hex Hd, 1/4-20 x 3/4 In.

32" RIDING MOWER MODEL 3280-14



32" RIDING MOWER MODEL 3280-14

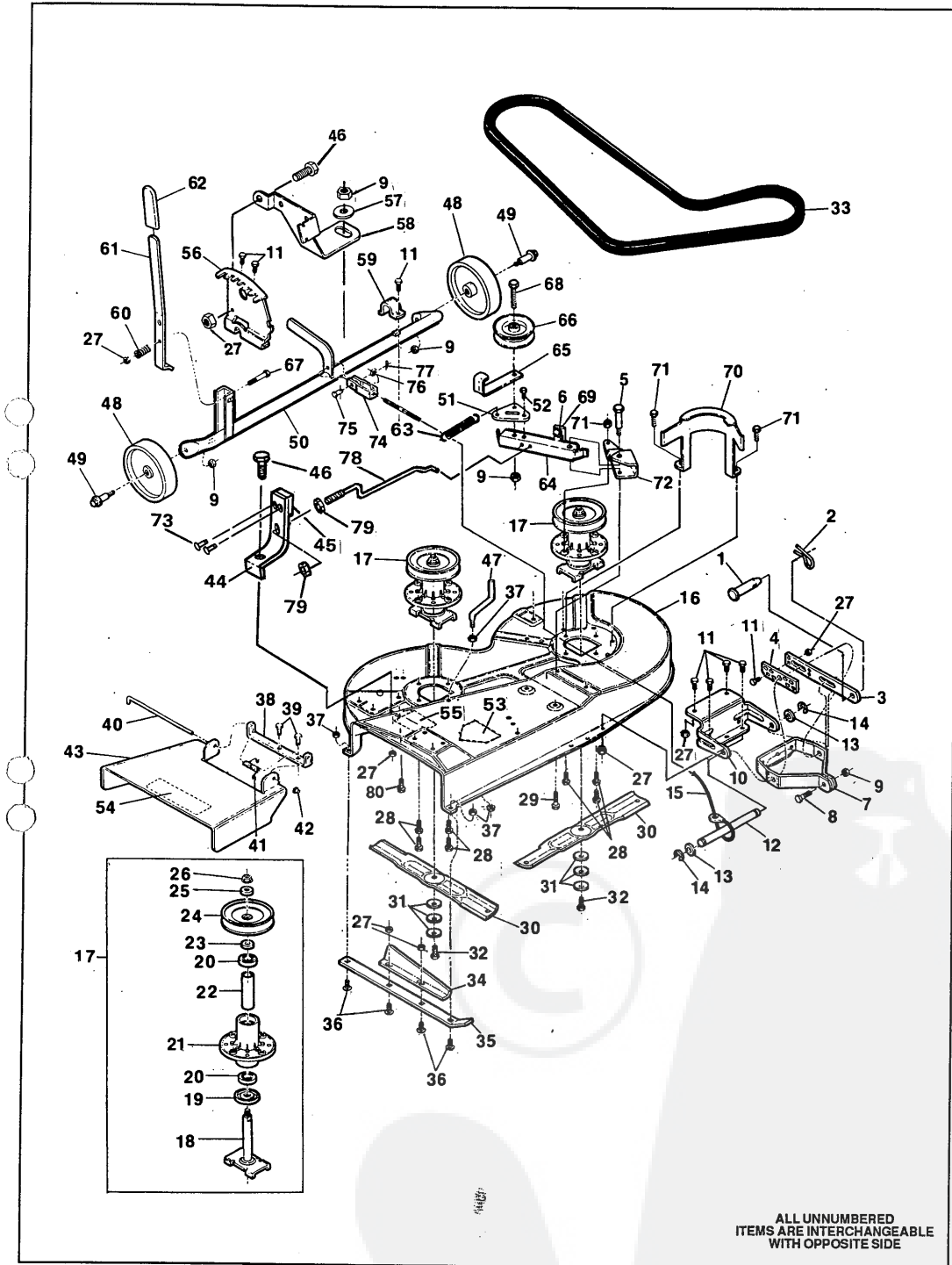
Key No.	Part No.	Description	Key No.	Part No.	Description
1	57453	Seat	62	9290	Shift Lever
2	305077	Seat Plate	63	57157	Washer
3	20507	Shoulder Bolt	64	56255	Screw, Nylon, Hex Hd, 1/4-28 x 3/4 In.
4	1498	Locknut, Hex, 5/16-18 Thd.	65	300577	Sheave, Engine
5	9606	Seat Bracket	66	35200	Key, Square, 1/4 In.
6	180117	*Screw, Hex Hd, 3/8-16 x 9/16 In.	67	35374	Idler Pulley
7	1499	Locknut, Hex, 3/8-16 Thd.	68	303109	Pulley
8	120706	*Screw, Hex Hd, 1/4-20 x 1/2 In.	69	22053	Retainer
9	301132	Seat Spring	70	12585	Idler Arm
10	9416	Clamp, Spring	71	45892	Bolt, Carriage, 5/8-16 x 1-1/2 In.
11	1502	Locknut, Hex, 1/4-20 Thd.	72	274517	Washer
12	122017	*Screw, Hex Hd, 5/16-18 x 1 In.	73	39659	Belt Retainer
13	50520	Spacer	74	41890	Shoulder Bolt, Hex Hd, 5/8 x 7/32 In.
14	58277	Seat Switch	75	48253	Washer
15	120393	Flatwasher, 11/32 In.	76	45602	Washer
16	120638	*Lockwasher, Split, 21/64 In.	77	301124	Tinnerman Clip
17	122007	*Screw, Hex Hd, 5/16-18 x 3/4 In.	78	301119	Belt Guide
18	305438	Seat Support	79	55448	Belt Guide
19	48901	*Screw, Hex Hd, 5/16-18 x 5/8 In.	80	300575	Drive Belt
20	301740	Decal, Control Panel	81	35325	Screw, Taptite, 3/8-16 x 2 In.
21	301141	Throttle Control	82	122040	Screw, Hex Hd, 5/16-18 x 1-1/2 In.
22	39486	Control Knob	83	120393	Washer
23	35287	Screw, Taptite, No. 8-32 x 3/8 In.	84	303138	Clutch Rod
24	414106	Washer	85	35410	Spring
25	305625	Shift Control Bracket	86	300580	Brake Rod
26	995346	Screw, Tapite, 1/4-20 x 1/2 In.	87	271172	Nut, Keps, 1/4-20 Thd.
27	305645	Support, Fender	88	300630	Bracket, Brake
28	306747	Bracket, Transaxle Mount	89	29386	Shoulder Bolt
29	120696	*Screw, Hex Hd, 5/16-18 x 2-1/4 In.	90	300587	Bracket, Transaxle Support
30	126211	Bolt Carriage 5/16-18 x 5/8 In.	91	35498	Screw, Hex Hd, Tap, 5/16-18 x 3/4 In.
31	Transaxle	*See footnote below	92	55472	Battery
32	12591	Clutch Bracket	93	55636	Drain Tube, Battery
33	39522	Clevis Pin	94	303271	Bracket, Battery Hold-Down
34	8260	Hairpin	95	305924	Fender
35	271184	Nut, Keps, 5/16-18 Thd.	96	274672	Screw, Hex Wshr Hd, 1/4-20 x 5/8 In.
36	300698	Bracket, Cable Anchor	97	12599	Pad, Velcro (Set)
37	120854	*Screw Hex Hd, 1/4-20 x 5/8 In.	98	41482	Press Clip, Battery Tube
38	120613	Nut, Hex Jam, 1/4-28 Thd.	99	301692	Shift Decal
39	1288	Bracket, Cable Retainer	100	55514	Shift Knob
40	39298	Pulley	101	Engine	~See footnote below
41	58336	Shoulder Bolt	102	305727	Exhaust Pipe
42	12505	Cable, Clutch Lever	103	35287	Screw, Hex Hd, No. 8-32 x 3/8 In.
43	9394	Bracket, Pulley	104	41081	Tire
44	54569	Washer, Special	105		Muffler (Engine Part)
45	303259	Guide	106		Gasket, Muffler (Engine Part)
46	120228	Screw, Hex Hd, 5/16-18 x 5/8 In.	107	36182	Wheel
47	304233	Spring, Tension	108		Screw (Engine Part)
48	301133	Spring, Mower Clutch Lever	109	27521	Clip, Trottle Cable
49	120396	Washer	110	995363	Screw, Hex Hd Tap, No.10-32 x 5/8 In.
50	302956	Shift Lever	111	303252	Fuel Tank
51	300582	Shift Rod	112	12501	Fuel Cap
52	120394	Washer	113	48672	Hose Clamp
53	137185	Cotter Pin, 1/8 x 1 In.	114	47452	Hose
54	302044	Shift Support	115	305149	Gas Tank Support
55	300589	Spacer	116	995346	Screw, Self-Tap, 1/4-20 x 1/2 In.
56	39628	Key, 3/16 x 2-1/2 In.	117	305397	Decal, Mower Clutch Engagement
57	41082	Tire & Rim	118	428831	Washer
58	42815	Washer	119	181403	*Screw, Hex Hd, 3/8-24 x 7/8 In.
59	36625	E-Ring	120	3021	Key
60	40594	Hub Cap	121	24167	Valve Stem
61	300588	Spacer	122	303269	Decal, 32, Fender Sides

(*) Standard Hardware Items - May Be Purchased Locally.

(^) Contact Tecumseh/Peerless authorized service dealer for parts and warranty.

(~) Contact Engine Manufacturer's authorized service dealer (See Engine Manual) for parts and warranty.

32" RIDING MOWER MODEL 3280-14



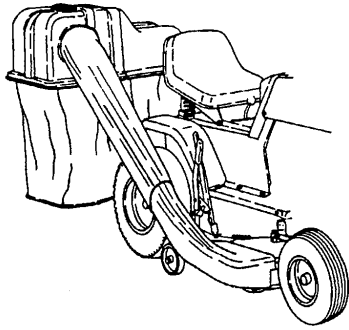
32" RIDING MOWER MODEL 3280-14

Key No.	Part No.	Description	Key No.	Part No.	Description
1	47816	Pull Pin	41	57431	Chute Spring
2	56180	Hairpin Cotter	42	57507	Push Nut
3	49059	Bar Hitch	43	8905	Chute Deflector
4	49058	Lock Bracket	44	303152	Arm, Brake (Includes 45 & 73)
5	47516	Shoulder Bolt	45	306973	Brake Pad
6	307153	Rivet, Brake Pad	46	304233	Spring
7	50613	Pivot Bracket	47	53766	Belt Guide
8	120918	* Screw, Hex Hd, 3/8-16 x 1-1/2 In.	48	52584	Wheel
9	1499	Locknut, Hex, 3/8-16 Thd.	49	23763	Shoulder Bolt
10	48676	Lift Support Plate	50	54822	Pivot Tube
11	120228	* Screw, Hex Hd, 5/16-18 x 5/8 In.	51	305224	Bracket, Sorting Retainer
12	55724	Pivot Pin	52	995346	* Screw, Self-Tap, 1/4-20 x 1/2 In.
13	996425	Washer	53	68547	Decal, Danger
14	20864	E-Ring	54	70203	Decal, Caution
15	57511	Lift Cable Assembly	55	305609	Decal, Blade Height
16	12560	Mower Deck	56	12559	Quadrant, Height Adjust
17	56283	Quill Assembly (Incl. Nos. 18-26)	57	120394	Washer
18	56623	Saddle & Shaft Assembly	58	53781	Brace
19	50616	Dust Shield	59	51985	Support, Pivot Tube
20	49562	Bearing	60	53246	Spring, Height Adjust Lever
21	55547	Quill Housing	61	8903	Lever, Height Adjust
22	50813	Spacer Tube	62	53995	Hand Grip, Height Adjust Lever
23	51449	Spacer	63	35410	Spring, Idler
24	56391	Pulley	64	303153	Idler Arm Ass'y. (Incl. Nos. 6 & 69)
25	56365	Washer	65	7354	Belt Retainer
26	1282	Locknut, Wide Flange, 7/16-20 Thd.	66	52694	Pulley, Idler
27	1498	Locknut, Hex, 5/16-18 Thd.	67	120696	* Screw, Hex Hd, 5/16-18 x 2-1/4 In.
28	50634	* Screw, Wshr. Hd, 5/16-18 x 7/8 In.	68	122168	* Screw, Hex Hd, 3/8 x 1-3/4 In.
29	35702	* Screw, Hex Hd, 5/16-18 x 1-1/2 In.	69	307153	Brake Pad
30	56820	Blade, 32" In.	70	44598	Pulley Cover, L. H.
31	2483	Spring Washer	71	122017	* Screw, Hex Hd, 5/16-18 x 1 In.
32	39573	* Screw, Hex Hd, 3/8-24 x 1 In.	72	57266	Bracket, Idler Arm
33	300747	V-Belt	73	135624	Rivet
34	55648	Deflector	74	9405	Clevis, Lift Cable
35	55370	Skid Bar	75	39522	Pin, Clevis
36	126216	* Bolt, Carriage, 5/16-18 x 3/4 In.	76	120372	* Nut, Square, 1/4-20 Thd.
37	271184	* Nut, Keps, 5/16-18 x 3/4 In.	77	8260	Hairpin Cotter
38	57432	Chute Guard Pivot Bracket	78	305230	Brake Rod
39	122007	* Screw, Hex Hd, 5/16-18 x 3/4 In.	79	1502	Locknut
40	57430	Deflector Chute Pivot Rod			

(* Standard Hardware Items - May Be Purchased Locally.)

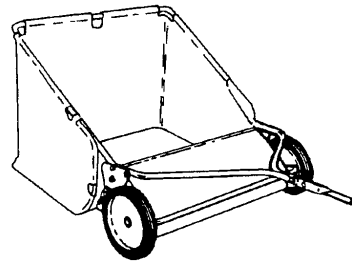
ACCESSORIES

Contact the dealer where your tractor was purchased for the available accessories. If you are unable to contact the dealer, write to the address on the front cover of this manual.



○
○
○ **REAR MOUNT GRASS CATCHER**

For 40-inch side discharge mower decks. Easy-On Easy-Off chute extension. Includes Easy-To-Dump twin grass collection containers with a 6-bushel capacity.



LAWN SWEEPER

Features extra heavy duty wheels and heavy duty basket. Basket is water, shrink and mildew proof with 6 bushel capacity. Dump release and height adjuster can both be operated from the tractor seat.

CONTACT ANY OF THE FOLLOWING DISTRIBUTORS: Parts for: HOMKO - LAWN SCOUT - AMF - TURFMASTER - DYNAMARK - or any other CANADIANA, WESTERN INTERNATIONAL INCORPORATED or NOMA OUTDOOR PRODUCTS INCORPORATED product.

ALABAMA

Automotive Elect. Serv.
415-419 Meridian St.
Huntsville, AL 35801
(205) 539-2131
AL WATS 800-421-1392
*b,c,f,g,h
Warlick-Miller A/C Eng.
630 N 20th St.
Bessemer, AL 35020
(205) 424-8288
AL WATS 800-292-8123
MS WATS 800-292-4494
*b,c,e,f,g,h

CALIFORNIA

Billiou's
75 No. D Street
Porterville, CA 93257
(209) 784-4102
CA WATS 800-228-7286
WATS 800-245-5468
FAX (209) 784-4108 (auto)
*b,c,e,f,g,h

COLORADO

Spitzer Ind. Prod. Co.
6601 N Washington
Thornton, CO 80229
(303) 287-3414
FAX (303) 287-0549 (auto)
*b,c,e,f,g,h

FLORIDA

G.L.O Products Inc.
13201 S. Belcher Rd.
Largo, FL 33543
(813) 530-9723
FL WATS 800-292-4567
FAX (813) 539-8603 (auto)
*c,e,h
Radco Distributors Inc.
4909 Victor St., Box 5459
Jacksonville, FL 32207-0459
(904) 733-7957
FL WATS 800-342-1254
WATS 800-874-7738
FAX (904) 737-9575 (auto)
*c,e,g,h

ILLINOIS

Garmoe Distr. Inc.
2620 N Mannheim Road
Franklin Park, IL 60131
(312) 455-3588
FAX (312) 455-6069 (auto)
*b,c,e,f,g,h
Small Engine Parts
3515 Auburn St.
Rockford, IL 61103
(815) 964-1754
*c,f,g,h

INDIANA

Thompson Sales & Serv.
2400 W. Ridge Road
Gary, IN 46408
(219) 980-3282
FAX (219) 980-3283 (PBX)
*c,e,f,g,h

IOWA

Bruce Engine
1829 N.W. 86th
Des Moines, IA 50322
(515) 278-5151
Recorder WATS
800-747-1829
*b,c,e,f,g,h

KANSAS

Colladay Hdwe. Co.
201 N Plum, Box 766
Hutchinson, KS 67501
(316) 663-4477
*a,d,e

KENTUCKY

Auto-Electric Inc.
715 W. Hwy 80, Box 671
Somerset, KY 42501
(606) 679-1171
*c,e,f,g,h
Cayce Mill Supply Co.
505 E 1st St.
Hopkinsville, KY 42240
(502) 886-3335
FAX (502) 886-3335 (PBX
ext 43)
*b,c,f,g,h
Kentucky Ign. Co.
1003-08 E. Broadway
Louisville, KY 40204
(Serving southern Indiana)
(502) 587-7976
*b,c,e,f,g,h

LOUISIANA

United Engine Serv., Inc.
11923 Cloverland Ave.
Baton Rouge, LA 70809
(504) 291-2622
FAX (504) 292-2442 (auto)
*c,e,f,g,h

MARYLAND

Center Supply Co.
6867 New Hampshire Ave.
Takoma Park, MD 20912
(301) 270-1690
*b,c,e,f,g,h
Kunkel Service Co.
6252 Frankford Ave
Baltimore, MD 21206
(301) 377-4008
MD WATS 800-492-8886
FAX (301) 325-1314 (auto)
*b,c,e,f,g,h

MASSACHUSETTS

Morton B. Collins Co.
300 Birnie Ave. Box 70058
Springfield, MA 01107
(413) 732-7449
*c,e,g,h
Crandall-Hicks Co.
30 Oak St
Westboro, MA 01581
(617) 898-2808
MA WATS 800-572-9342
FAX (617) 898-3160 (auto)
*b,d

MICHIGAN

Air Cooled Engine Div.
1116 26th Ave.
Menominee, MI 49858
(906) 863-6332
MI WATS 800-562-4825
WATS 800-334-9535
FAX (906) 863-1204
(PBX)
*c,e,f,g,h
The Factory Branch
440 E. Prospect
Jackson, MI 49203
(517) 783-2766
FAX (517) 783-4155 (auto)
*c,e,f,g,h

MINNESOTA

Hance Distr.
12795 16th Ave. N.
Plymouth, MN 55441
(612) 559-2299
FAX (612) 559-2365 (auto)
*b,c,e,f,g,h

MISSISSIPPI

see
Bessemer, Alabama

MISSOURI

Gunther's Serv. & Supply
7320 Wornall Road
Kansas City, MO 64114
(816) 523-1952
*a,d,e,f,g,h
Wilson Engine & Parts Inc.
4159 Shoreline Drive
Earth City, MO 63045
(314) 739-1313
WATS 800-367-2787
FAX (314) 739-8767 (auto)
*b,d,e,f,g,h

NEW JERSEY

Power Distributors, Inc.
71 N. Field Ave.
Edison, NJ 08837
(201) 225-4922
FAX (201) 225-4922 (auto)
*i

NEW YORK

Loegler & Ladd Inc.
3950 Broadway, Box 214
Buffalo, NY 14225
(716) 684-0600
*c,e

Stiefvater Dist. Inc.
Clinton Road, Route 12B
New Hartford, NY 13413
(315) 853-5581
*c,e,f,g,h

NORTH CAROLINA

Dixie Sales Co. Inc.
5920 Summit Ave.,
Box 1408
Browns Summit, NC 27402
(919) 375-7500
WATS 800-438-1069
FAX (919) 274-2758 (auto)
*b,e,f,g,h

OHIO

American Power Distr.
2430 Tremainsville Rd.
Box 5815
Toledo, OH 43613
(419) 475-7261
FAX (419) 475-0467 (auto
after 5.00 pm)
*a,b,e,f,g,h
Small Engine Distr.
5250 N Dixie, Box 14481
Dayton, OH 45414
(513) 278-8241
*b,d,e,f,g,h

PENNSYLVANIA

Bluemont Co.
11101 Frankstown Road
Pittsburgh, PA 15235
(412) 242-1622
PA WATS 800-344-1200
WATS 800-431-2716
FAX (412) 243-5673 (auto)
*b,c,e,f,g,h
Scranton Auto Ignition
1133-1135 Wyoming Ave.
Scranton, PA 18509
(717) 342-8133
*b,f,g,h

SOUTH CAROLINA

Magneto & Elect. Service
103 Assembly St.
Columbia, SC 29201
(803) 771-4044
SC WATS 800-922-1118
WATS 800-334-4832
FAX (803) 256-2727
*c,e,f,g,h

TENNESSEE

Chilton A/C Engines
319 4th Ave. S.,
Box 150806
Nashville, TN 37201
(615) 254-1634
FAX (615) 242-6618 (auto)
*b,c,e,f,g,h
Ace Distr. Inc.
2103 E. Magnolia Ave.
Box 3577
Knoxville, TN 37917
(615) 524-5359
TN WATS 800-332-9904
FAX (615) 524-8263 (auto)
*c,e,f,g,h

TEXAS

Marr Bros. Inc.
423 E. Jefferson
Dallas, TX 75203
(214) 948-7387
FAX (214) 946-6259 (auto)
*a,d,e,f,g,h
Midland Small Engine Sales
106 Carlton, Box 4215
Midland, TX 79704
(915) 684-5553
*b,d,e,f,g,h

VIRGINIA

NorVa Small Engines
7010 Wellington Rd.
Manassas, VA 22110
(703) 369-3387
*c,e,f,g,h
RBI Corporation
101 Cedar Ridge Rd.
Lakeridge Park
Ashland, VA 23005
(804) 798-1535
FAX (804) 798-2570 (auto)
*b,c,f,g,h

WASHINGTON

Pacific A/C Engine Inc.
7925 2nd Ave S.
Seattle, WA 98108
(206) 767-2724
c,e,f,h

WISCONSIN

Praefke A/C Eng.
4050 N. 128th St
Brookfield, WI 53005
(414) 781-7010
*c,e,f,g,h
Wiggert Brothers
4th & Jay, Box 1267
La Crosse, WI 54601
(608) 784-4790
*b,c,e,f,g,h

CANADA

Canadiana Outdoor Prod.,
Inc.
155 Orenda Rd.
Brampton, Ontario L6W 1W3
(416) 457-1433
*i

Rev. 2/1/89

(*) General Information Codes:

- (a) Advance Payment Required
- (b) Accepts Credit Cards
- (c) C.O.D. okay
- (d) No C.O.D.
- (e) Accessories Available
- (f) Briggs & Stratton dealer or distributor
- (g) Tecumseh/Peerless dealer or distributor
- (h) Foote dealer or distributor
- (i) Dealer sales only, contact for closest dealer.