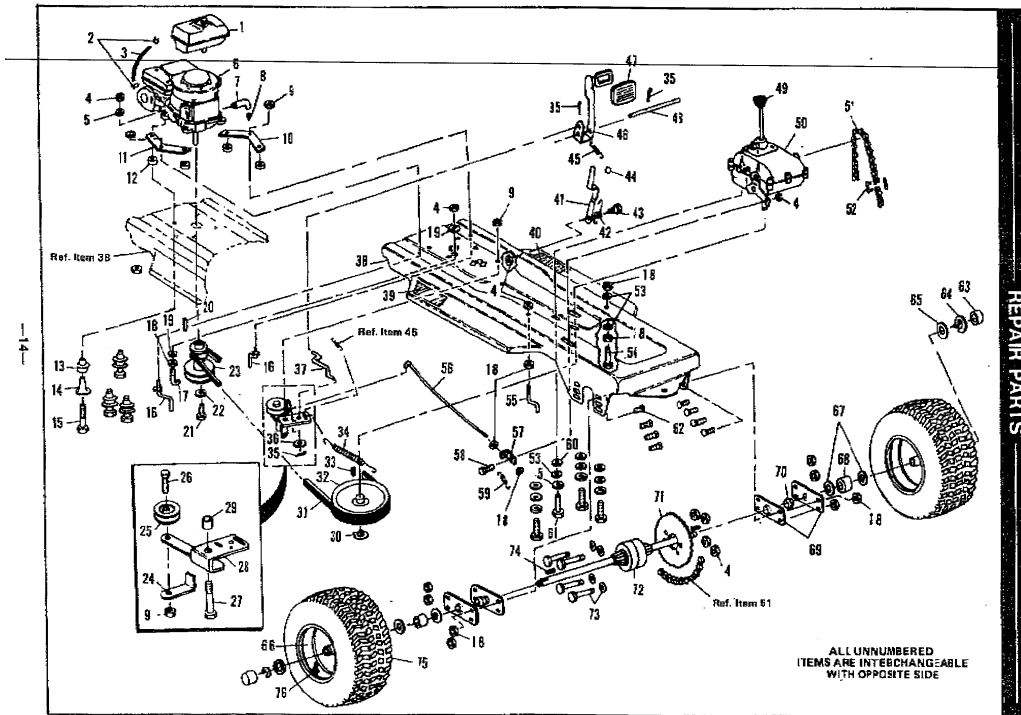


32" RIDING MOWER MODEL 3504-0200



32" RIDING MOWER MODEL 3504-0200

ALWAYS GIVE THE FOLLOWING INFORMATION WHEN ORDERING REPAIR PARTS:
 1. THE PART NUMBER 2. THE PART NAME 3. QUANTITY DESIRED 4. THE MODEL NUMBER - (As shown on Model Plate)
 SEND PART ORDERS AS PER INSTRUCTIONS ON THE FRONT PAGE
 YOUR UNIT IS RIGHT HAND (RH) OR LEFT HAND (LH) AS YOU STAND BEHIND IT.
 DO NOT USE KEY NUMBERS WHEN ORDERING REPAIR PARTS, ALWAYS USE PART NUMBERS.
 All replacement parts will be supplied in current production colors or in a neutral color.
 A handling fee is applicable to small parts orders.

Key No.	Part No.	Description
1	48812	Gas Tank
2	41006	Clip, Gas Line
3	60118	Gas Line
4	8413447	Locknut, Hex, 5/16-18 Thd
5	120538	*Flatwasher, Split, 5/16 In.
6	Engine	See Footnote Below
7	43989	Oil Drain Tube
8	23700	*Pipe Plug, 1/4 In.
9	8413534	Locknut, Hex, 3/8-16 Thd
10	43954	Bracket, Vibration, Right
11	43955	Bracket, Vibration, Left
12	44015	Mount, Load Carrying, Upper
13	44016	Mounting, Rebound, Lower
14	42273	Insert, Steel, Vibration Mount
15	180112	Screw, Hex Hd, 5/16-18 x 2 3/4 In.
16	60853	Belt Guide, Blade Drive
17	49896	Belt Guide, Transmission Drive
18	271184	Nut, Hex, Keys, 5/16-18 Thd
19	120386	*Flatwasher, 1/4 In.
20	332C0	Key, Engine Pulley
21	123567	Screw, Hex Hd, 7/16-20 x 1 In.
22	120363	Lockwasher, Split
23	43961	Pulley, Engine
24	39659	Belt Retainer
25	35374	Pulley, Idler
26	120918	*Screw, Hex Hd, 1/2-16 x 1 1/2 In.

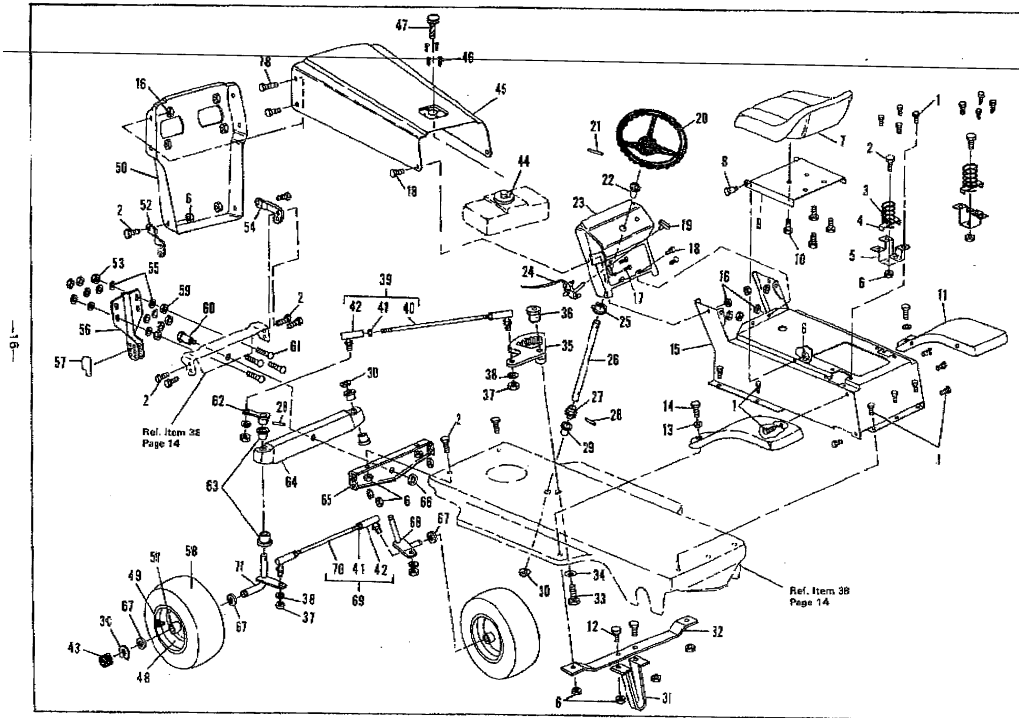
*Standard Hardware Items - May Be Purchased Locally.

Key No.	Part No.	Description
27	28928	Shoulder Bolt
28	46848	Arm, Drive Idler
29	43953	Spacer
30	22053	Retaining Ring
31	43979	V-Belt, Transmission Drive
32	39296	Pulley, Transmission
33	3021	Woodruff Key
34	49276	Spring, Main Drive
35	121222	*Pin, Cotter, 3/32 x 3/4 In.
36	120392	Flatwasher
37	43980	Rod, Clutch
38	52004	Main Frame
39	49885	Foot Pad, Left
40	49886	Foot Pad, Right
41	43967	Arm, Parking Brake
42	43968	Spring, Parking Brake
43	40974	Shoulder Bolt, Parking Brake
44	68585	Decal, Parking Brake
45	50562	Spring, Clutch Pedal
46	50738	Brake Pedal Assembly
47	48761	Rubber Pad, Brake Pedal
48	43956	Shaft, Brake-Clutch Pedal
49	29483	Knob, Gear Shift
50	46840	Transmission (See Page 21)
51	44044	Chain Assembly
52	20307	Link (Only), Chain Connector

Key No.	Part No.	Description
53	466363	*Flatwasher, 5/16 In.
54	122089	*Screw, Hex Hd, 5/16-18 x 3 In.
55	43991	Belt Guide, Transmission Pulley
56	46839	Rod, Brake
57	46834	Bracket, Brake Rod
58	25494	Shoulder Bolt
59	2347	Spring, Brake Rod
60	139485	*Washer, Shakeproof, 5/16 In.
61	122007	*Screw, Hex Hd, 5/16-18 x 3/4 In.
62	998013	*Carriage Bolt, 5/16-18 x 3/4 In.
63	40394	Hub Cap
64	36625	"E" Ring, 3/4 In.
65	42815	Flatwasher
66	36182	Wheel
67	642	Flatwasher
68	44448	Spacer
69	43967	Plate, Bearing Retainer
70	35345	Bearing
71	39797	Sprocket, 54 Tooth, No. 41
72	Differential	Peerless, Model 171B (See Warranty, Page 11)
73		Differential Parts
74	39628	Key, 3/16 x 3/16 x 2 1/2 In.
75	41081	Tire
76	24167	Valve Stem

Replacement engines and parts are obtainable from Engine Manufacturer's authorized Service Stations who are also to be contacted in regard to the Engine Warranty. See your Engine Manual for location of these stations.

32" RIDING MOWER MODEL 3504-0200

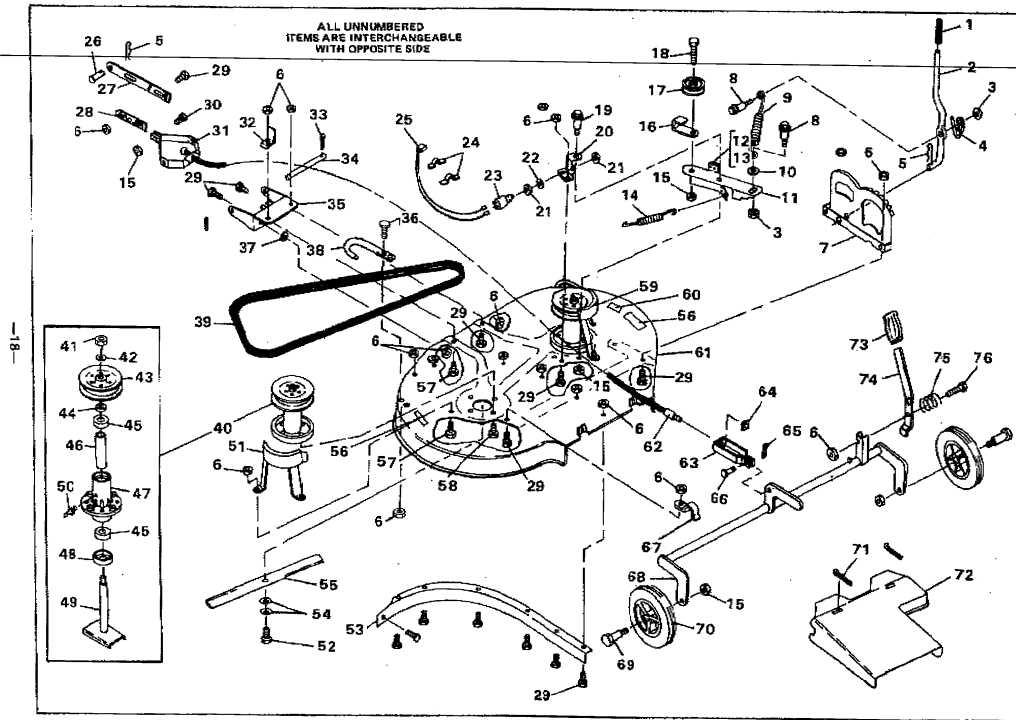


32" RIDING MOWER MODEL 3504-0200

Key No.	Part No.	Description	Key No.	Part No.	Description	Key No.	Part No.	Description
1	995346	*Screw, Taprite, ¼-20 x ½ In.	25	39492	Retaining Ring	49	24167	Valve Stem
2	120228	*Screw, Hex Hd, 5/16-18 x ¾ In.	26	44008	Shaft, Steering	50	49999	Grille
3	49335	Spring, Seat	27	44009	Pinion Gear	51	39979	Bearing
4	49339	Clip, Spring	28	494855	Roll Pin	52	49941	Bracket, Grille Support, L.H.
5	49735	Bracket, Spring Support	29	39590	Bearing, Steering	53	9413634	Locknut, ¾-16 Thd.
6	9413447	Locknut, 5/16-18 Thd.	30	38625	"E" Ring	54	49040	Bracket, Grille Support, R.H.
7	46603	Seat	31	49776	Bracket, Deck Guide	55	274517	*Flatwasher, ¾ In.
8	20507	Shoulder Bolt	32	50646	Bracket, Deck Guide Support	56	47830	Bracket, Deck Hanger
9	51072	Seat Bracket	33	39573	Screw, Hex Hd Lock, ¾-24 x 2 In.	57	68644	Deck, Hanger
10	120834	*Screw, Hex Hd, 5/16-18 x ½ In.	34	2483	Spring Washer	58	41096	Tire
11	43970	Fender	35	44010	Sector Gear	59	271190	Nut, Keys, ¾-16 Thd.
12	122040	*Screw, Hex Hd, 5/16-18 x 1½ In.	36	44011	Shoulder Bolt, Sector Gear	60	28616	Shoulder Bolt, Axle Pivot
13	446393	*Flatwasher, 5/16 In.	37	120369	*Nut, Hex, ¾-24 Thd.	61	45892	Carriage Bolt, ¾-16 x 1½ In.
14	122017	*Screw, Hex Hd, 5/16-18 x 1 In.	38	120362	*Lockwasher, Split, ¾ In.	62	48447	Arm, Steering
15	50029	Console Assembly	39	44059	Drag Link Assembly	63	50549	Bearing, Spindle
16	9424215	Locknut, Hex, ¼-20 Thd	40	44060	Drag Link	64	44082	Front Axle Assembly
17	35287	Screw, Taprite, No. 8-32 x ¾ In.	41	124925	Nut, Hex, ¾-24 Thd	65	43988	Bracket, Front Axle Support
18	48900	Screw, Hex Wa. Hd, ¼-20 x 1 In.	42	21275	Ball Joint	66	274854	Locknut, Hex, ¼-20 Thd.
19	39483	Knob, Throttle Control Lever	43	40394	Hub Cap	67	642	Flatwasher
20	47083	Steering Wheel	44	44843	Pad, Vibration	68	44002	Spindle, Right
21	456935	Roll Pin	45	48879	Hood	69	48762	Tie Rod Assembly
22	39432	Bearing, Steering	46	49050	Screw, Plastite, ¼-10 x ¾ In.	70	48764	Tie Rod
23	48339	Dashboard Assembly	47	51578	Gas Gauge	71	4404	Spindle, Left
24	50117	Lever, Throttle Control	48	39937	Wheel w/Bearing			

*Standard Hardware Items - May Be Purchased Locally

32" RIDING MOWER MODEL 3504-0200

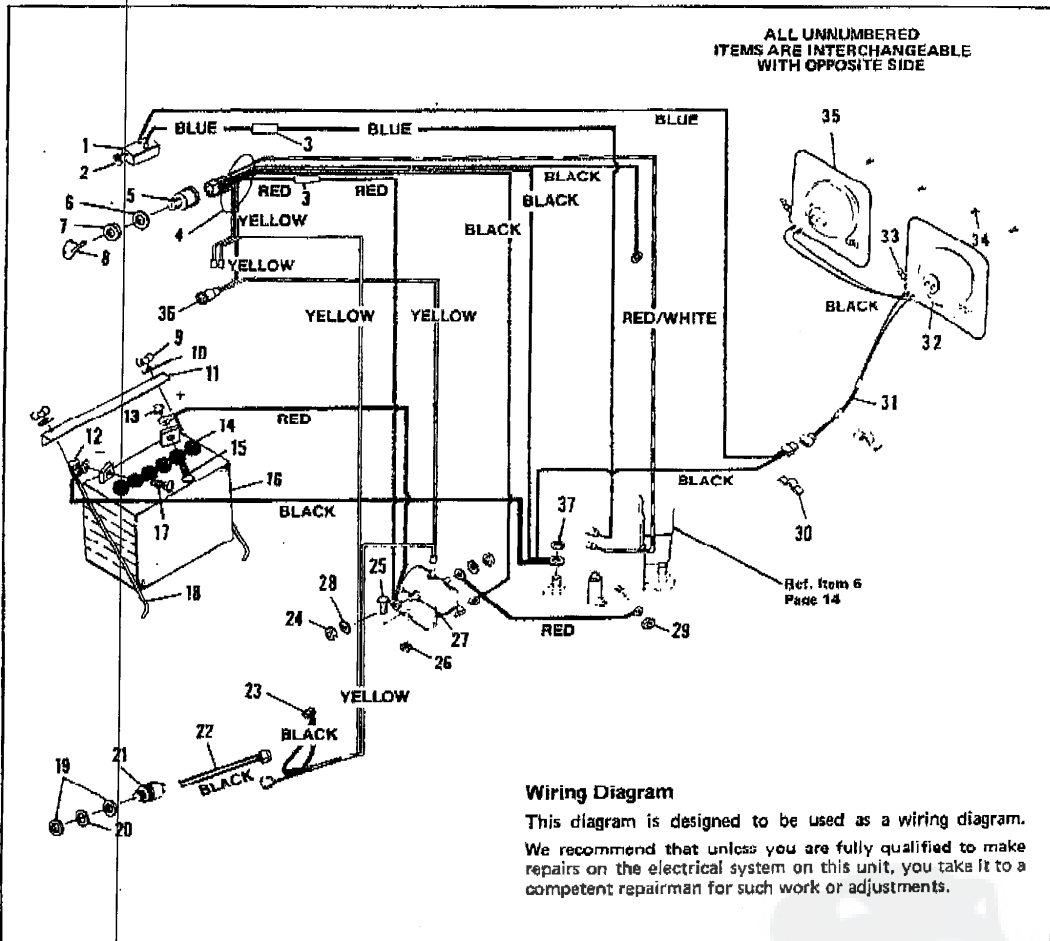


32" RIDING MOWER MODEL 3504-0200

Key No.	Part No.	Description	Key No.	Part No.	Description	Key No.	Part No.	Description
1	46476	Hand Grip	27	48089	Bar Hitch	53	47354	Ballie, L.H.
2	46130	Lever, Clutch	28	49068	Lock Bracket	54	2483	Formed Washer
3	9424215	Locknut, 1/2-20 Thd.	29	120228	*Screw, Hex Hd, 5/16-18 x 3/8 In.	55	42433	Blade, 16 In.
4	46851	Spring, Clutch Lever	30	120818	*Screw, Hex Hd, 5/16 x 1 1/2 In.	56	68542	Decal, Height Adjust
5	8260	Hairpin Cotter	31	50813	Pivot Bracket	57	122017	Screw, Hex Hd, 5/16-18 x 1 In.
6	9413447	Locknut, 5/16-18 Thd.	32	50555	Bracket, Upstop	58	50634	Screw, Tapfit, 5/16-18 x 3/8 In.
7	47515	Quadrant	33	48675	Cotterpin, 3/16 x 1 1/4 In.	59	47352	Cover, Pulley, R.H.
8	46853	Shoulder Bolt	34	47814	Pin, Pivot	60	63543	Decal, Height Adjust
9	47357	Spring, Clutch Lever	35	48676	Lift Support, Plate Assy.	61	51948	Mower Deck
10	120382	Flatwasher, 1/4 In.	36	122007	*Screw, Hex Hd, 5/16-18 x 3/4 In.	62	48512	Lift Cable
11	47523	Idler Arm Assy(Incl. Nos. 12 & 13)	37	596415	Flatwasher, 3/8 In.	63	39404	Clevis, Lift Cable
12	41471	Brake Pad	38	51921	Skid	64	120372	*Square Nut, 1/4-20 Thd.
13	41601	Rivet, Brake Pad	39	47390	V-Belt	65	121222	*Cotter pin, 3/32 x 3/4 In.
14	35410	Spring	40	51445	Quill Assy, Incl. Nos. 41-60	66	39522	Pin, Clevis
15	5413534	Locknut, 3/8-16 Thd.	41	51445	Nut	67	42424	Support, Pivot Tube
16	46477	Belt Retainer	42	446248	Flatwasher, 11/16 In.	68	49706	Pivot Tube Assy.
17	46473	Pulley, Idler	43	51442	Pulley	69	23763	Wheel Axle
18	122168	*Screw, Hex Hd, 5/16 x 1 1/4 In.	44	51441	Spacer	70	39831	Wheel & Tire Assy., 6 In.
19	47515	Shoulder Bolt	45	60697	Bearing	71	120123	Cotterpin
20	47517	Bracket, Idler Arm	46	50618	Spacer	72	47355	Chute Extension
21	45877	Nut (lockout switch part)	47	50702	Quill Housing	73	20250	Hand Grip
22	45878	Lockwasher, (Lockout Switch Part)	48	50619	Dust Shield	74	49131	Lever, Height Adjust.
23	41204	Switch, Lockout	49	51439	Saddle & Shaft Assembly	75	29170	Spring
24	41482	Clip, Press	50	706	Grease Fitting	76	122040	*Screw, Hex Hd, 5/16-18 x 1 1/2 In.
25	43038	Wire Assembly	51	47353	Cover, Pulley L.H.			
26	47816	Pull Pin	52	39573	Screw, Hex Hd, 3/24 x 1 In.			

*Standard Hardware Items - May Be Purchased Locally

32" RIDING MOWER MODEL 3504-0200



Wiring Diagram

This diagram is designed to be used as a wiring diagram. We recommend that unless you are fully qualified to make repairs on the electrical system on this unit, you take it to a competent repairman for such work or adjustments.

Key No.	Part No.	Description	Key No.	Part No.	Description
1	40997	Switch w/Knob, Headlamp	20	45878	Lockwasher, (Lockout Switch Part)
2	40778	Knob, Headlamp Switch	21	41204	Switch, Lockout
3	49211	Fuse, 15 Amp	22	43038	Wire Assembly, Deck Switch
4	50975	Wire Harness Assembly	23	42071	Wire Assembly, By-Pass
5	14745	Switch, Ignition w/Keys	24	120368	*Nut, Hex, 5/16-24 Thd
6	138557	Lockwasher, (Switch Part)	25	121887	*Screw, Hex Hd, 1/4-20 x 3/8 In.
7	48140	Locknut (Switch Part)	26	9424215	Locknut, Hex, 1/4-20 Thd
8	49643	Key, Ignition	27	44429	Solenoid
9	997208	*Wing Nut, Nylock, 1/4-20 Thd	28	120638	Lockwasher, Split, 5/16 In.
10	120386	*Flatwasher, 1/4 In.	29		Engine Part
11	40243	Bracket, Battery Hold-Down	30	41482	Wire Clip, Press
12	271172	Nut, Keps, 1/4-20 Thd	31	42103	Lead Wire, Headlamp
13	271184	Nut, Keps, 5/16-18 Thd	32	42318	Headlamp
14	40892	Cap, Battery	33	41373	Clip, Headlamp Mounting
15	126211	*Carriage Bolt, 5/16-18 x 3/4 In.	34	9426710	*Screw, Taprite, No. 8-18 x 3/8 In.
16	2938	Battery	35	44638	Ring, Headlamp
17	110356	*Carriage Bolt, 1/4-20 x 1/2 In.	36	45333	Indicator Light
18	40234	Battery Rod	37	9413447	Locknut, Hex, 5/16-18 Thd.
19	45877	Nut, (Lockout Switch Part)			

*Standard Hardware Items - May Be Purchased Locally.

32" RIDING MOWER MODEL 3504-0200

TRANSMISSION NUMBER 46840

Key No.	Part No.	Description
1	35002	Ring, Retaining
2	41705	Sprocket, ST
3	40371	Washer, Plain (D40)
3	31408	Washer, Plain (G31)
3	23655	Washer, Plain (D50)
3	43372	Washer, Plain (D50)
3	40374	Washer, Plain (D25)
3	40374	Washer, Plain (G35)
3	40375	Washer, Plain (L045)
3	40376	Washer, Plain (L020)
4	20858	Ring, Retaining
5	20853	Bearing, Flange
6	31405	Gear, Spur, 20T.
7	35003	Gear, Spur, 30T.
8	51411	Collar, Clutch
9	21412	Spring, Compression
10	47182	Housing, Lower
11	21414	Gear, Spur, 25T.
12	21415	Gear, Spur, 25T.
13	22053	Ring, Retaining
14	21416	Spacer
15	21417	Gear, Spur, 30T.
16	33486	Key, Wdr., No. 9 Alloy
17	41588	Cover, Nylon
18	21425	Insert, Nylon
19	40381	Assembly, Lever, Shift
20	42590	Assembly, Kit, Switch
21	47163	Spacer
22	21434	Washer, Wave
23	21420	Gear, Bevel, 42T.
24	21421	Gear, Spur, 20T.
25	21422	Sprocket, 12T., Special
26	21423	Chain
27	21424	Sprocket, 12T., Special
28	33485	Key, Wdr., No. 4 Alloy
29	33489	Key, Wdr., No. 3 Alloy
30	33490	Key, Wdr., No. 61 Alloy
31	40389	Shaft, Output
32	33004	Shaft, Drive
33	31427	Key, Hi-Pro, Special
34	31428	Plate, Lock-out
35	31429	Screw, Shoulder
36	11696	Fork, Shifter, R.H.
37	31430	Fork, Shifter, L.H.
38	33492	Screw, No. 10-24 x 1/2
39	41587	Housing, Upper
40	33491	Bolt, Hex Hd. V-20x1.5/16
41	31432	Ball, Detent
42	40380	Spring, Detent
43	47164	Assembly, Lever, Actuating
44	47185	Assembly, Jaw, Brake
45	40385	Spring, Compression
46	40383	Bolt, Shoulder
47	40382	Disc, Brake
48	40380	Washer, Plain (L008)
49	47166	Puck, Friction
50	40386	Puck, Friction
51	462	Ring, Retaining
52	20845	Pinion, Bevel, 16T.
53	47167	Assembly, Kit, Input Shaft
54	47168	O-Ring

1 Indicates used in various combinations to maintain proper clearances.
 ** Order Key No. 53

-21-

TRANSMISSION REPAIR PARTS

