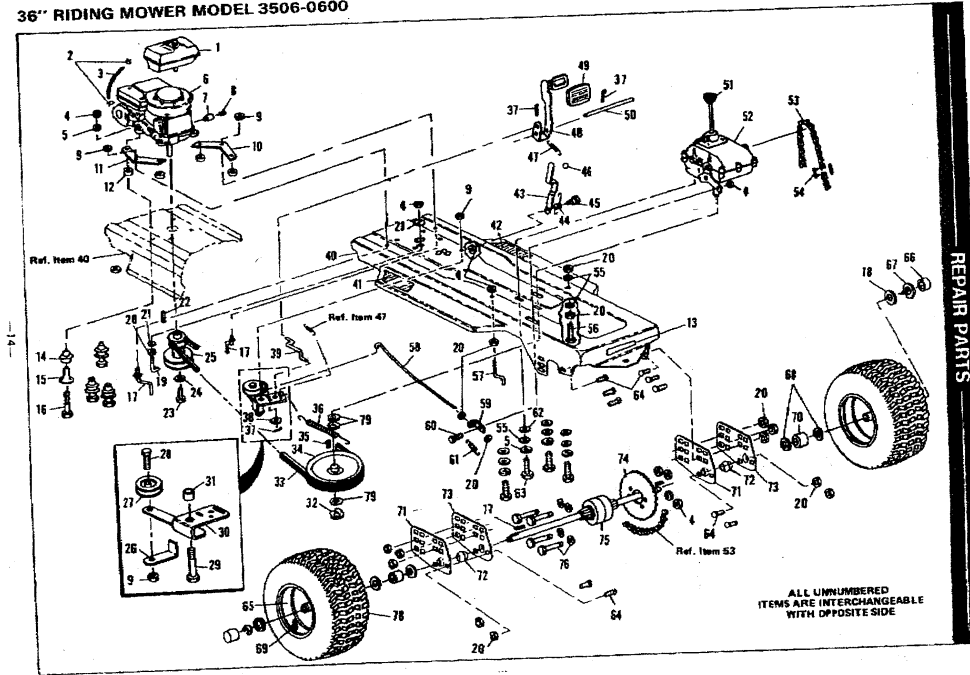


36" RIDING MOWER MODEL 3506-0600



REPAIR PARTS

36" RIDING MOWER MODEL 3506-0600

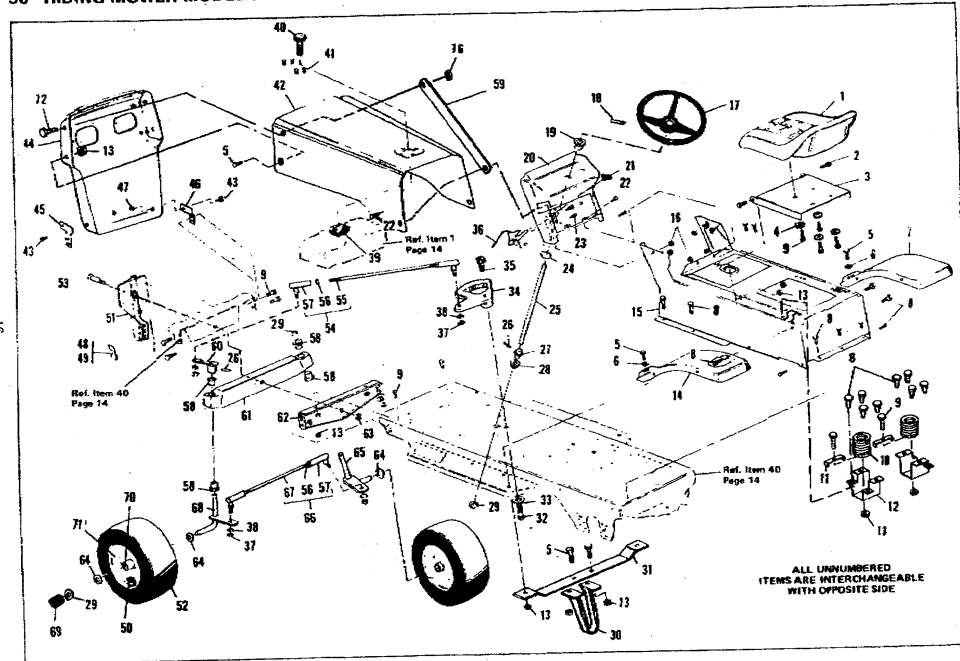
ALWAYS GIVE THE FOLLOWING INFORMATION WHEN ORDERING REPAIR PARTS:
 1. The PART NUMBER 2. The PART NAME 3. QUANTITY DESIRED 4. The MODEL NUMBER—(As shown on Model Plate)
 SEND PART ORDERS AS PER INSTRUCTIONS ON THE FRONT PAGE
 YOUR UNIT IS RIGHT HAND (RH) OR LEFT HAND (LH) AS YOU STAND BEHIND IT.
 DO NOT USE KEY NUMBERS WHEN ORDERING REPAIR PARTS. ALWAYS USE PART NUMBERS.
 All replacement parts will be supplied in current production colors or in a neutral color.
 A handling fee is applicable to small parts orders.

Key No.	Part No.	Description	Key No.	Part No.	Description	Key No.	Part No.	Description
1	48812	Gas Tank	26	120818	*Screw, Hex Hd, 3/8-16 x 1 1/2 In.	55	446363	*Flatwasher, 5/16 In.
2	41008	Clip, Gas Line	29	28928	Shoulder Bolt	56	122089	*Screw, Hex Hd, 5/16-18 x 3 In.
3	50118	Gas Line	30	46848	Arm, Drive Idler	57	43991	Belt Guide, Transmission Pulley
4	9413647	Locknut, Hex, 5/16-18 Thd	31	43953	Spacer	58	46839	Rod, Brake
5	120638	*Lockwasher, Split, 5/16 In.	32	22053	Retaining Ring	59	46834	Bracket, Brake Rod
6		Engine	33	43978	V-Belt, Transmission Drive	60	25494	Shoulder Bolt
7	43989	Oil Drain Tube	34	39266	Pulley, Transmission	61	2347	Spring, Brake Rod
8	23790	Pipe Plug, 3/4 In.	35	3021	Woodruff Key	62	139485	*Washer, Shakeproof, 5/16 In.
9	9413534	Locknut, 3/8-18 Thd	36	49276	Spring, Main Drive	63	122007	*Screw, Hex Hd, 5/16-18 x 3/4 In.
10	43954	Bracket, Vibration, Right	37	121222	*Pin, Cotter, 3/32 x 3/4 In.	64	998013	*Carriage Bolt, 5/16-18 x 3/4 In.
11	43955	Bracket, Vibration, Left	38	120392	Flatwasher	65	36182	Wheel
12	44015	Mount, Load Carrying, Upper	39	43980	Rod, Clutch	66	40394	Hub Cap
13	68542	Decal, Caution	40	52710	Main Frame	67	36525	"E" Ring, 3/4 In.
14	44016	Mount, Rebound, Lower	41	49885	Foot Pad, Left	68	642	Flatwasher
15	42273	Insert, Steel, Vibration Mount	42	49886	Foot Pad, Right	69	24167	Wheel & Tire Assy, Rear
16	180112	Screw, Hex Hd, 5/16-18 x 2 1/2 In.	43	43987	Arm, Parking Brake	70	44448	Spacer
17	50653	Belt Guide, Blade Drive	44	43988	Spring, Parking Brake	71	48049	Bracket, Rear Axle, R.H.
18	42815	Flatwasher	45	40974	Shoulder Bolt, Parking Brake	72	35345	Bearing
19	49656	Belt Guide, Transmission Drive Belt	46	68585	Decal, Parking Brake	73	48850	Bracket, Rear Axle, L.H.
20	271184	Nut, Hex, Keys, 5/16-18 Thd	47	50562	Spring, Clutch Pedal	74	39797	Sprocket, 54 Tooth, No. 41
21	120386	*Flatwasher, 3/4 In.	48	52640	Brake Pedal Assembly	75		Peerless, Model 1718 (See Warranty, Page 11)
22	33200	Key, Engine Pulley	49	48761	Rubber Pad, Brake Pedal	76		Differential Parts
23	122567	Screw, Hex Hd, 7/16-20 x 1 In.	50	43956	Shaft, Brake-Clutch Pedal	77	39628	Key, 3/16 x 3/16 x 2 1/2 In.
24	120383	Lockwasher, Split	51	29483	Knob, Gear Shift	78	42091	Tire
25	52418	Pulley, Engine	52	52732	Transmission (See Page 21)	79	40677	Washer
26	39659	Belt Retainer	53	41489	Chain Assembly			
27	35374	Pulley, Idler	54	20307	Link (Only), Chain Connector No. 41			

*Standard Hardware Items - May Be Purchased Locally.

Replacement engines and parts are obtainable from Engine Manufacturer's authorized Service Stations who are also to be contacted in regard to the Engine Warranty. See your Engine Manual for location of these stations.

36" RIDING MOWER MODEL 3506-0600

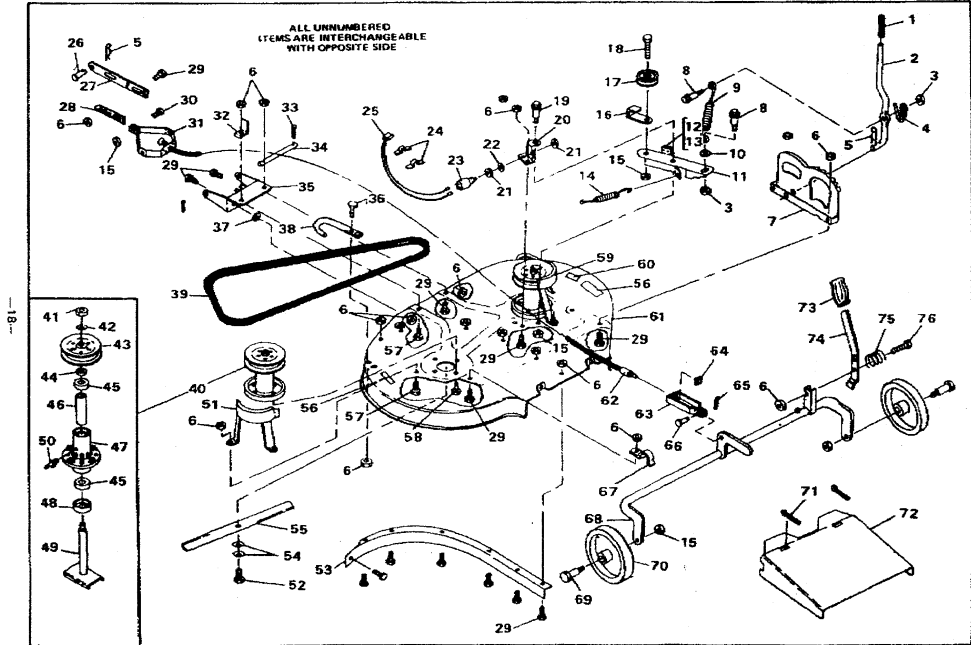


36" RIDING MOWER MODEL 3506-0600

Key No.	Part No.	Description	Key No.	Part No.	Description	Key No.	Part No.	Description
1	51866	Seat	26	454565	Roll Pin	50	24167	Valve Stem
2	20507	Shoulder Bolt	27	44009	Pinion Gear	51	50719	Bracket, Deck Hanger
3	51072	Seat Bracket	28	39580	Bearing, Steering	52	41096	Tire
4	120636	Lockwasher, Split	29	36625	"E" Ring	53	50720	Shoulder Bolt, Axle Pivot
5	120117	*Screw, Hex Hd, 5/16-18 x 1 In.	30	44500	Bracket, Deck Guide	54	44059	Drag Link Assembly
6	446363	*Flatwasher, 5/16 In.	31	43964	Bracket, Deck Guide Support	55	44060	Drag Link
7	49636	Fender, R.H.	32	39573	Screw, Lock, Hex Hd, 3/8-24 x 1 In.	56	124925	Nut, Hex, 3/4-24 Thd
8	995346	*Screw, Taprite, 1/20 x 3/8 In.	33	2483	Spring Washer	57	21275	Ball Joint
9	120228	*Screw, Hex Hd, 5/16-18 x 5/8 In.	34	44010	Sector Gear	58	60546	Bearing, Spindle
10	49335	Spring	35	44011	Shoulder Bolt, Sector Gear	59	52019	Brace, Grille
11	49339	Clip, Spring	36	50117	Throttle Control Assembly	60	49447	Arm, Steering
12	49735	Bracket, Spring Support	37	120369	*Nut, Hex, 3/8-24 Thd	61	44062	Front Axle Assembly
13	9413447	Locknut, Hex, 3/16-18 Thd	38	120382	*Lockwasher, Split, 3/8 In.	62	43988	Bracket, Front Axle Support
14	49637	Fender, L.H.	39	44843	Pad, Vibration	63	274694	Locknut, Hex, 1/2-20 Thd
15	51373	Console Assembly	40	50988	Gas Gauge	64	642	Flatwasher
16	9424215	Locknut, Hex, 1/2-20 Thd	41	49050	Screw, Plastite, 1/10 x 1/4 In.	65	48944	Spindle, Right
17	47083	Steering Wheel	42	49156	Hood	66	48762	Tie Rod Assembly
18	456836	Roll Pin	43	120233	*Screw, Hex Hd, 3/8-18 x 1 In.	67	48764	Tie Rod
19	39432	Bearing, Steering	44	52755	Grille	68	48945	Spindle, Left
20	50077	Dash	45	47851	Bracket, Grille Support, L.H.	69	40394	Hub Cap
21	39486	Knob, Engine Control Lever	46	47852	Bracket, Grille Support, R.H.	70	39979	Bearing
22	48900	Screw, Hex Washer Hd, 1/2-20 x 1 In.	47	9413534	Locknut, 3/8-16 Thd	71	39937	Wheel w/ Bearing
23	35287	Screw, Taprite, No. 8-32 x 3/8 In.	48	68583	Decal, Hanger, L.H.	72	121900	Screw, Hex Hd, 1/4-20 x 1 In.
24	39482	Retaining Ring	49	68584	Decal, Hanger, R.H.			
25	44068	Shaft, Steering						

*Standard Hardware Items - May Be Purchased Locally.

36" RIDING MOWER MODEL 3506-0600

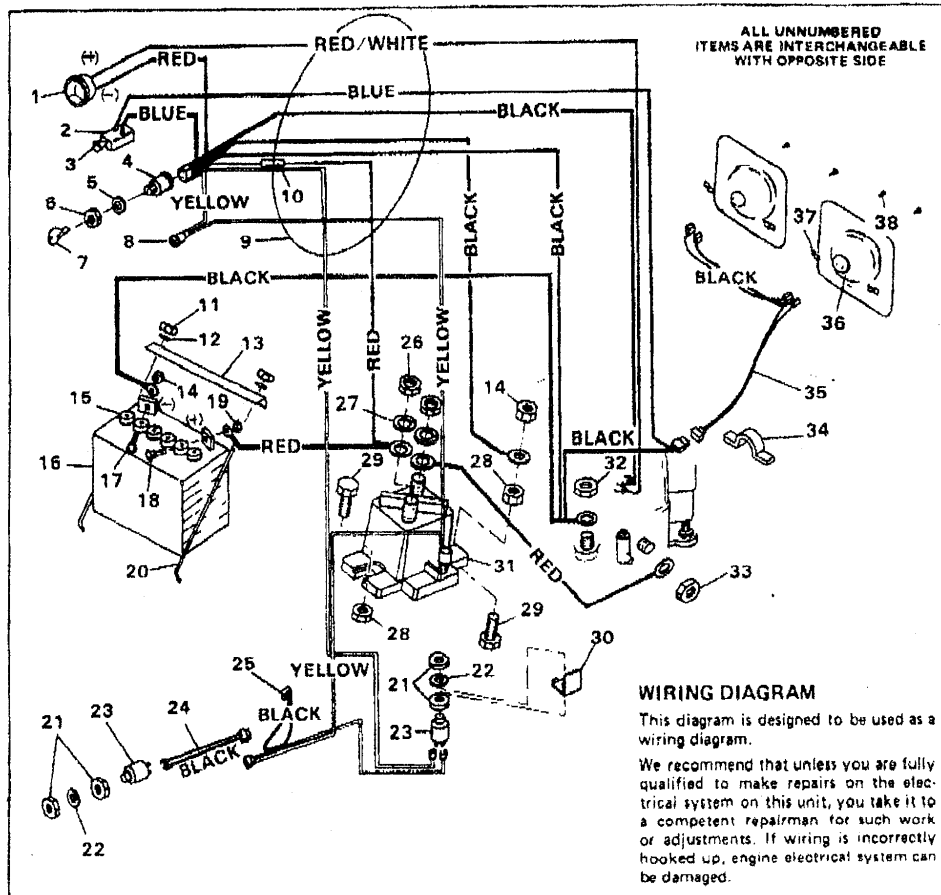


36" RIDING MOWER MODEL 3506-0600

Key No.	Part No.	Description	Key No.	Part No.	Description	Key No.	Part No.	Description
1	46478	Hand Grip	26	47916	Pull Pin	51	46385	Cover, Pulley, L.H.
2	49130	Lever, Clutch	27	49059	Bar Hitch	52	39573	Screw, Hex Hd. 5/16 x 1 In.
3	9424215	Locknut, 5/16 Thd	28	49058	Lock Bracket	53	46367	Baffle, L.H.
4	46561	Spring, Clutch Lever	29	120228	*Screw, Hex Hd. 5/16-18 x 1 1/2 In.	54	2485	Formed Washer
5	8260	Hairpin Cotter	30	120916	*Screw, Hex Hd. 3/16 x 1 1/2 In.	55	39311	Blade, 18 In.
6	9413447	Locknut, 5/16-18 Thd	31	50813	Pivot Bracket	56	68542	Decal, Height Adjust
7	47515	Quadrant	32	48956	Bracket, Upstop	57	122017	*Screw, Hex Hd. 3/16-18 x 1 In.
8	45563	Shoulder Bolt	33	48675	Cotterpin, 3/16 x 1 1/4 In.	58	50834	Screw, Taptte, 5/16-18 x 3/4 In.
9	52636	Spring, Clutch Lever	34	47814	Pin, Pivot	59	46364	Cover, Pulley, R.H.
10	120392	*Flatwasher, 1/4 In.	35	48676	Lift Support, Plate Assembly	60	68882	Decal, Height Adjust
11	53055	Idler Arm Assy (inc. Nos. 12 & 13)	36	122007	*Screw, Hex Hd. 5/16-18 x 3/4 In.	61	51943	Mower Deck
12	41471	Brake Pad	37	996416	*Flatwasher, 1/2 In.	62	53037	Lift Cable
13	41601	Rivet, Brake Pad	38	49878	V-Belt	63	39404	Clevis, Lift Cable
14	35410	Spring	39	51921	Skid	64	120372	*Square Nut, 1/4-20 Thd
15	9413534	Locknut, 3/8-16 Thd	40	49878	V-Belt	65	121222	*Cotterpin, 3/32 x 3/4 In.
16	52695	Belt Retainer	41	51453	Nut	66	39522	Pin, Clevis
17	52694	Pulley, Idler	42	51445	Nut	67	42424	Support, Pivot Tube
18	122168	*Screw, Hex Hd. 3/8-16 x 1 1/4 In.	43	51451	Pulley	68	49573	Pivot Tube Assy.
19	47516	Shoulder Bolt	44	51449	Spacer	69	23763	Wheel Axle
20	47517	Bracket, Idler Arm	45	50697	Bearing	70	52584	Wheel, 6 In.
21	45877	Nut (lockout switch part)	46	50818	Spacer	71	120123	Cotterpin
22	45878	Lockwasher (lockout switch part)	47	50702	Quill Housing	72	49824	Chute Extension
23	41204	Switch, Lockout	48	50616	Dust Shield	73	20250	Hand Grip
24	41482	Chp. Press	49	51447	Saddle & Shaft Assembly	74	49131	Lever, Height Adjust
25	48851	Wire Assembly	50	706	Grease Fitting	75	29170	Spring
						76	122040	*Screw, Hex Hd. 5/16-18 x 1 1/2 In.

*Standard Hardware Items - May Be Purchased Locally

36" RIDING MOWER MODEL 3506-0600



Key No.	Part No.	Description
1	39463	Ammeter
2	40997	Switch w/ Knob, Headlight
3	40778	Knob, Headlight Switch
4	44745	Switch, Ignition w/Keys
5	138557	Lockwasher (Switch Part)
6	48140	Locknut (Switch Part)
7	49643	Key, Ignition
8	46333	Ignition Light
9	61338	Wire Harness Assembly
10	49211	Fuse
11	997208	Wing Nut, Nylock, 1/4-20 Thd
12	120386	Flatwasher, 1/4 In.
13	40243	Bracket, Battery, Hold-Down
14	271172	Nut, Kops, 1/4-20 Thd.
15	40892	Cap. Battery
16	52936	Battery
17	126203	Carriage Bolt, 1/4-20 x 1/2 In.
18	126216	Carriage Bolt, 5/16-18 x 3/4 In.
19	271184	Nut, Kops, 5/16-18 Thd.
20	40234	Battery Rod

Key No.	Part No.	Description
21	45877	Nut (Lockout Switch Part)
22	45878	Lockwasher (Lockout Switch Part)
23	41204	Switch, Lockout
24	48851	Wire Assembly, Deck Switch
25	42071	Wire Assembly, By-Pass
26	120368	Locknut, Hex, 5/16-24 Thd
27	120638	Lockwasher, Split, 5/16 In
28	9424215	Locknut, hex, 1/4-20 Thd.
29	121900	Screw, Hex Hd, 1/4-20 x 1 In
30	49734	Bracket, Switch Mounting
31	52323	Solenoid
32	9413447	Locknut, Hex, 5/16-18 Thd.
33		Engine Part
34	41482	Wire Clip, Press
35	44811	Lead Wire, Headlamp
36	44085	Headlamp
37	50545	Clip, Headlamp Mounting
38	49689	Screw, Tapite, 1/4-14 x 1/4 In.