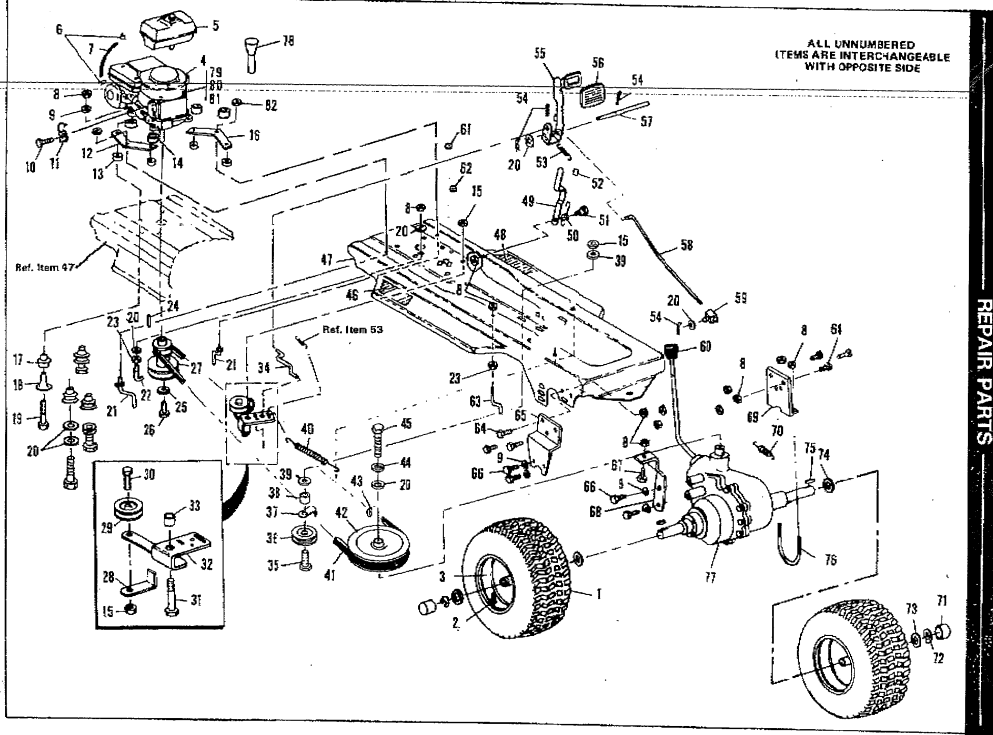


36" RIDING MOWER MODEL 3506-0700



36" RIDING MOWER MODEL 3506-0700

ALWAYS GIVE THE FOLLOWING INFORMATION WHEN ORDERING REPAIR PARTS:

1. The PART NUMBER; 2. The PART NAME; 3. QUANTITY DESIRED; 4. The MODEL NUMBER—(As shown on Model Plate)

SEND PART ORDERS AS PER INSTRUCTIONS ON THE FRONT PAGE

YOUR UNIT IS RIGHT HAND (R-H) OR LEFT HAND (L-H) AS YOU STAND BEHIND IT.

DO NOT USE KEY NUMBERS WHEN ORDERING REPAIR PARTS. ALWAYS USE PART NUMBERS.

All replacement parts will be supplied in current production colors or in a neutral color.

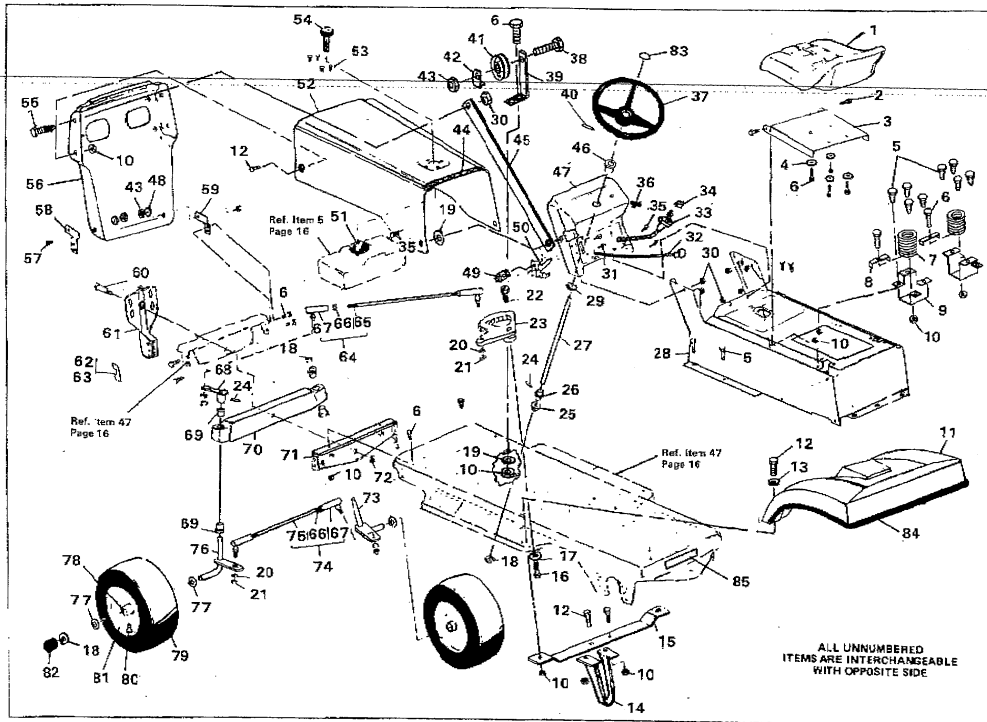
A handling fee is applicable to small parts orders.

Key No.	Part No.	Description	Key No.	Part No.	Description	Key No.	Part No.	Description
1	41106	Tire	28	39655	Belt Retainer	55	50982	Brake Pedal Assembly
2	24167	Valve Stem	29	35374	Pulley, Idler	56	21216	Rubber Pad, Brake Pedal
3	41105	Wheel	30	120818	Screw, Hex Hd, 3/8-16 x 1 1/2 In.	57	43956	Shaft, Brake-Clutch Pedal
4	Engine	See Footnote Below	31	28928	Shoulder Bolt	58	49654	Rod, Brake
5	49872	Gas Tank	32	46846	Arm, Drive Idler	59	49653	Pivot Block
6	41008	Clip, Gas Line	33	43652	Spacer	60	29463	Knob, Gear Shift
7	41007	Gas Line	34	43980	Rod, Clutch	61	62836	Grommet
8	9413447	Locknut, Hex, 5/16-18 Thd.	35	122207	Screw, Hex Hd, 3/8-16 x 3 In.	62	52435	Grommet
9	120638	Lockwasher, Split, 5/16 In.	36	40223	Pulley, Backside Idler	63	43991	Belt Guide, Transaxle Pulley
10	35287	Screw, Taplite, No. 8-32 x 3/8 In.	37	39314	Retainer, Drive Belt, Backside Idler	64	120228	Screw, Hex Hd, 5/16-18 x 1/2 In.
11	41652	Clip	38	49648	Spacer, Backside Idler	65	49651	Bracket, Axle, L.H.
12	43955	Bracket, Vibration, Left	39	120394	Flatwasher, 3/8 In.	66	180080	Screw, Hex Hd, 5/16-18 x 1 1/2 In.
13	44015	Mount, Load Carrying, Upper	40	49276	Spring, Main Drive	67	122007	Screw, Hex Hd, 5/16-18 x 3/4 In.
14	50987	Spacer	41	50737	V-Belt	68	49652	Bracket, Stabilizing
15	9413534	Locknut, Hex, 3/8-16 Thd	42	52198	Key, Woodruff, No. 61	69	49650	Bracket, Axle, R.H.
16	43954	Bracket, Vibration, Right	43	431787	Pulley, Transaxle	70	39395	Spring, Brake Return
17	44016	Mount, Rebound, Lower	44	120380	Flatwasher, Split, 1/4 In.	71	40394	Hub Cap
18	42273	Insert, Steel, Vibration Mount	45	180020	Screw, Hex Hd, 1/2-20 x 3/4 In.	72	36625	"E" Ring, 3/4 In.
19	180112	Screw, Hex Hd, 5/16-18 x 2 3/4 In.	46	52316	Main Frame	73	42815	Flatwasher
20	120386	Flatwasher, 5/16 In.	47	52317	Foot Pad, Left	74	642	Flatwasher
21	50653	Belt Guide, Blade Drive	48	50980	Arm, Parking Brake	75	39628	Key, 3/16 x 3/16 x 2 1/2 In.
22	49896	Belt Guide, Transmission	49	50988	Spring, Parking Brake	76	40124	"U" Bolt
23	271184	Nut, Hex, Caps, 5/16-18 Thd	50	43958	Shoulder Bolt, Parking Brake	77	Transaxle	Peerless, Model 601-020
24	33200	Key, Engine Pulley	51	40974	Decal, Parking Brake	78	47498	Funnel, Oil Fill
25	51058	Lockwasher	52	68585	Spring, Clutch Pedal	79	51063	Electric Motor
26	51057	Screw, Hex Hd	53	50862	Spring, Clutch Pedal	80	51059	Washer, 6mm
27	52418	Pulley, Engine	54	121222	Pin, Cotter, 3/32 x 3/4 In.	81	51060	Locknut, 6mm x 1 In.
						82	124528	Nut, Jam

*Contact a Tecumseh/Peerless authorized service dealer for parts and warranty.

Replacement engines and parts are obtainable from Engine Manufacturer's authorized Service Stations who are also to be contacted in regards to the Engine Warranty. See your Engine Manual for location of these stations.

36" RIDING MOWER MODEL 3506-0700



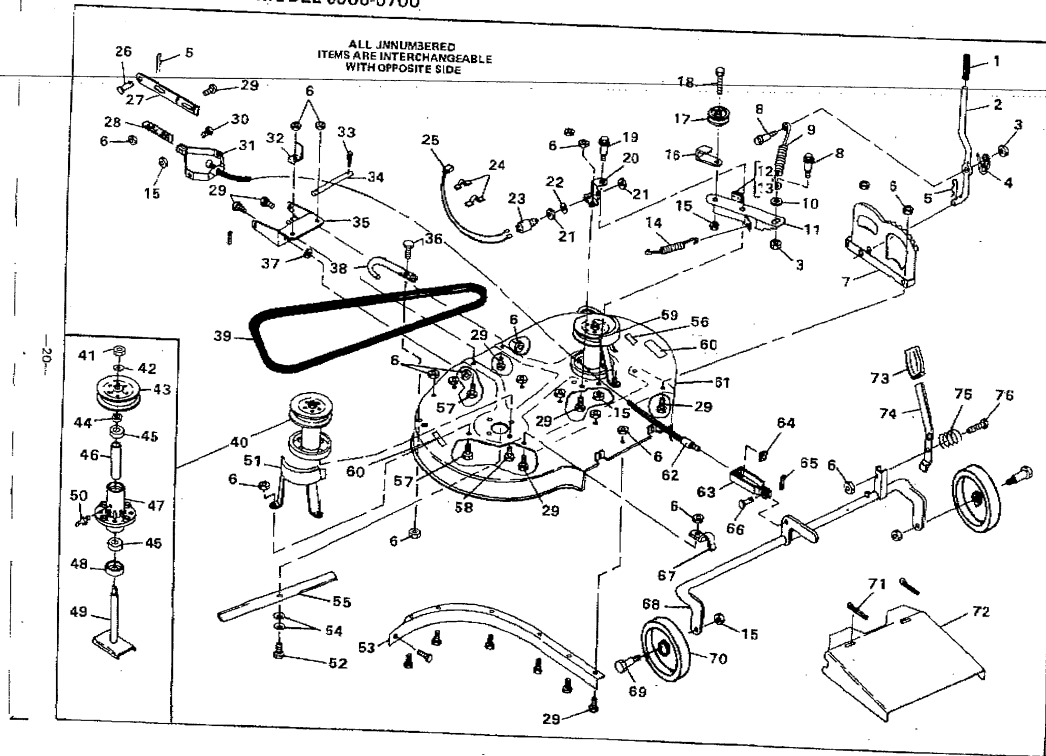
36" RIDING MOWER MODEL 3506-0700

Key No.	Part No.	Description
1	50699	Seat
2	20607	Shoulder Bolt
3	51793	Seat Bracket
4	120628	Lockwasher, Split, 5/16 In. I.D.
5	995346	Screw, Taplike, 1/4-20 x 1/2 In.
6	120228	Screw, Hex Hd, 5/16-18 x 3/8 n.
7	49336	Spring
8	49339	Clip, Spring
9	49735	Bracket, Spring Support
10	9413447	Locknut, Hex, 3/16-18 Thd.
11	52470	Fender
12	122017	Screw, Hex Hd, 5/16-18 x 1 In.
13	446363	Flatwasher, 5/18 In. I.D.
14	44500	Bracket, Deck Guide
15	43964	Bracket, Deck Guide Support
16	39573	Screw, Lock, Hex Hd, 3/4-24 x 1 In.
17	2483	Spring Washer
18	36625	"E" Ring
19	120386	Flatwasher, 1/2 In.
20	120369	Nut, Hex, 3/4-24 Thd.
21	120392	Lockwasher, Split, 3/8 In.
22	44011	Shoulder Bolt, Sector Gear
23	44010	Sector Gear
24	454685	Roll Pin
25	39580	Bearing, Steering
26	44009	Pinion Gear
27	44008	Shaft, Steering
28	50060	Console Assembly

Key No.	Part No.	Description
29	39492	Retaining Ring
30	9424215	Locknut, Hex, 1/4-20 Thd.
31	35287	Screw, Taplike, No. 8-32 x 3/8 In.
32	50978	Choke Control
33		Handle, Recoil (Engine Part)
34		Closure, Recoil Handle (Engine Part)
35	48900	Screw, Hex Wa. Hd, 1/4-20 x 1 In.
36	39498	Knob, Engine Control Lever
37	47083	Steering Wheel
38	122145	Screw, Hex Hd, 3/16 x 1 1/4 In.
39	52974	Support Bracket, Pulley
40	456836	Roll Pin
41	48881	Pulley
42	50981	Retainer, Rope
43	9413534	Locknut, 3/8-16 Thd.
44	50512	Edging, Hood
45	52019	Brace, Grille
46	39432	Bearing, Steering
47	50969	Dash
48	120364	Washer, 13/16 In. I.D.
49	51077	Swivel Assembly
50	50979	Throttle Control Assembly
51	44943	Pad, Vibration
52	48156	Hood
53	49050	Screw, Plastite, 1/4-10 x 3/4 In.
54	50988	Gas Gauge
55	121900	Screw, Hex Hd 1/4-20 x 1 In.

Key No.	Part No.	Description
56	52811	Grille
57	120233	Screw, Hex Hd, 3/8-18 x 1 In.
58	47851	Bracket, Grille Support, L.H.
59	47852	Bracket, Grille Support, R.H.
60	50720	Shoulder Bolt, Axle Pivot
61	50719	Bracket, Deck Hanger
62	68583	Decal, Hanger, L.H.
63	68584	Decal Hanger, R.H.
64	44059	Drag Link Assembly
65	44060	Drag Link
66	24925	Nut, Hex, 3/4-24 Thd.
67	21276	Ball Joint
68	49447	Arm, Steering
69	50546	Bearing, Spindle
70	44062	Front Axle Assembly
71	43988	Bracket, Front Axle Support
72	274654	Locknut, Hex 1/4-20 Thd.
73	48844	Spindle, Right
74	48762	Tie Rod Assembly
75	48764	Tie Rod
76	48845	Spindle, Left
77	642	Flatwasher
78	39979	Bearing
79	41108	Tire
80	24167	Valve Stem
81	39829	Wheel w/Bearing
82	40394	Hub Cap
83	48770	Decal, Steering Wheel
84	48770	Edging
85	68542	Decal, Caution

36" RIDING MOWER MODEL 3506-0700

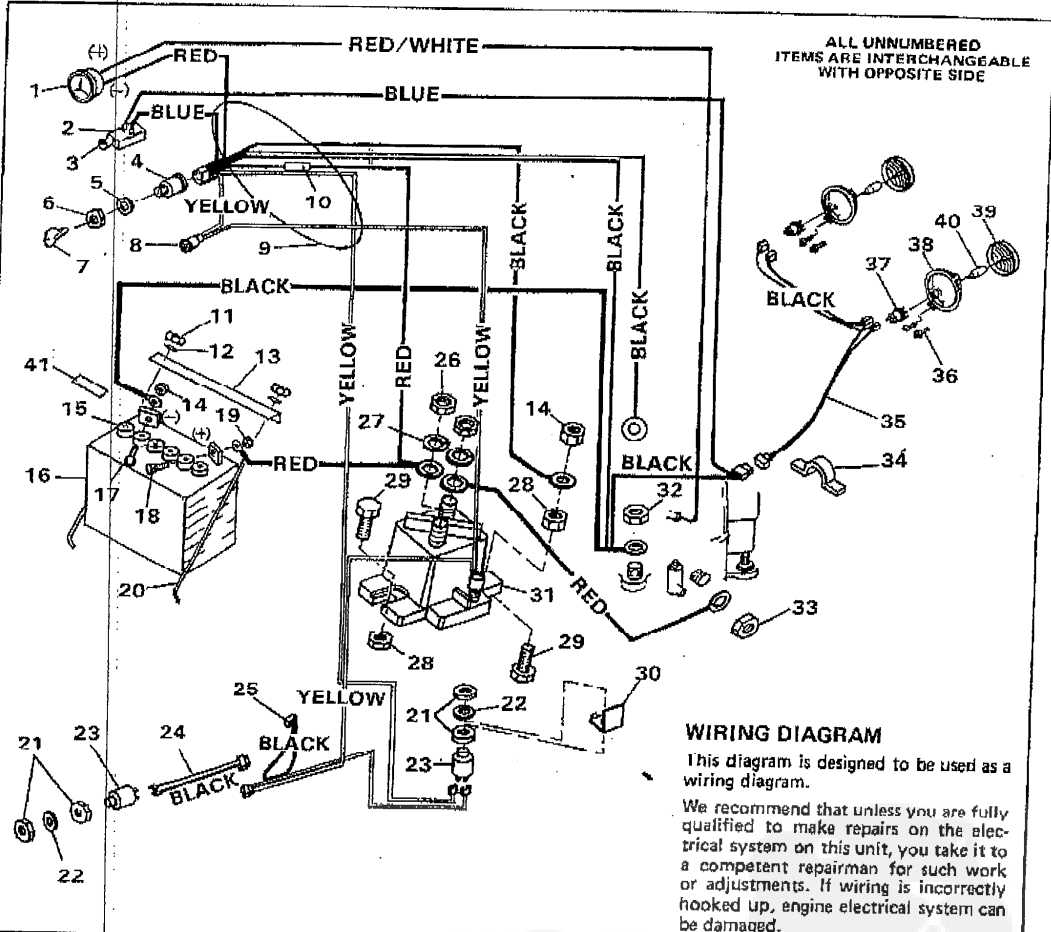


36" RIDING MOWER MODEL 3506-0700

Key No.	Part No.	Description	Key No.	Part No.	Description	Key No.	Part No.	Description
1	46478	Hand Grip	27	49058	Bar Hitch	53	46367	Baffle, L.H.
2	49150	Lever, Clutch	28	49058	Lock Bracket	54	2483	Formed Washer
3	9424215	Locknut, 3/4-20 Thd	29	120228	Screw, Hex Hd, 5/16-18 x 3/8 In.	55	39311	Blade, 18 In.
4	46561	Spring, Clutch Lever	30	120818	Screw, Hex Hd, 3/16 x 1 1/2 In.	56	36543	Decal, Height Adjust.
5	8260	Hairpin Cotter	31	50813	Pivot Bracket	57	122017	Screw, Hex Hd, 5/16-18 x 1 In.
6	9413447	Locknut, 5/16-18 Thd.	32	52385	Bracket, Upstop	58	30834	Screw, Tapite, 5/16-18 x 3/8 In.
7	51986	Quadrant	33	48675	Cotterpin, 3/16 x 1 1/4 In.	59	46364	Cover, Pulley, R.H.
8	46563	Shoulder Bolt	34	47814	Pin, Pivot	60	88542	Decal, Caution
9	52636	Spring, Clutch Lever	35	48676	Lift Suppct, Plate Assy.	61	51943	Mower Deck
10	120382	Flatwasher, 1/4 In.	36	122007	Screw, Hex Hd, 5/16-18 x 3/8 In.	62	53037	Lift Cable
11	53055	Idler Arm Assy (inc. Nos. 12 & 13)	37	996415	Flatwasher, 3/8 In.	63	39404	Clevis, Lift Cable
12	41471	Brake Pad	38	51921	Slid	64	120372	Square Nut, 3/20 Thd.
13	41601	Rivet, Brake Pad	39	49878	V-Belt	65	121222	Cotterpin, 3/32 x 3/4 In.
14	36470	Spring	40	51453	Quill Assy. (Incl. Nos. 41-50)	66	38522	Pin, Clevis
15	9413534	Locknut, 3/4-16 Thd.	41	51445	Nut	67	51985	Support, Pivot Tube
16	52695	Belt Retainer	42	446248	Flatwasher, 11/16 In.	68	52613	Pivot Tube Assy.
17	52694	Pulley, Idler	43	51451	Pulley	69	23763	Wheel Axle
18	122188	Screw, Hex Hd, 3/8-16 x 1 1/4 In.	44	51449	Spacer	70	52564	Wheel
19	47516	Shoulder Bolt	45	50587	Bearing	71	120123	Cotterpin
20	47517	Bracket, Idler Arm	46	50818	Spacer	72	50993	Chute Extension
21	46577	Nut (lockout switch part)	47	50702	Quill Housing	73	20250	Hand Grip
22	46578	Lockwasher (lockout switch part)	48	50615	Dust Shield	74	49131	Lever, Height Adjust
23	41204	Switch, Lockout	49	51447	Saddle & Shaft Assembly	75	29170	Spring
24	41432	Clip, Press	50	703	Grease Fitting	76	122040	Screw, Hex Hd, 5/16-18 x 1 1/2 In.
25	48851	Wire Assembly	51	46365	Cover, Pulley, L.H.			
26	47816	Pull Pin	52	39573	Screw, Hex Hd, 3/8-24 x 1 In.			

7

36" RIDING MOWER MODEL 3506-0700



WIRING DIAGRAM
 This diagram is designed to be used as a wiring diagram.
 We recommend that unless you are fully qualified to make repairs on the electrical system on this unit, you take it to a competent repairman for such work or adjustments. If wiring is incorrectly hooked up, engine electrical system can be damaged.

Key No.	Part No.	Description
1	39463	Ammeter
2	40997	Switch w/Knob, Headlight
3	40778	Knob, Headlight Switch
4	44745	Switch, Ignition w/Keys
5	138557	Lockwasher (Switch Part)
6	48140	Locknut (Switch Part)
7	49643	Key, Ignition
8	45333	Ignition Light
9	51003	Wire Harness Assembly
10	49211	Fuse
11	997208	Wing Nut, Nylock, 1/4-20 Thd.
12	120386	Flatwasher, 1/4 In.
13	40243	Bracket, Battery, Hold-Down
14	271172	Nut, Keps, 1/4-20 Thd.
15	40892	Cap, Battery
16	2988	Battery
17	126203	Carriage Bolt, 1/4-20 x 3/8 In.
18	126216	Carriage Bolt, 5/16-18 x 3/4 In.
19	271184	Nut, Keps, 5/16-18 Thd.
20	40234	Battery Rod

Key No.	Part No.	Description
21	45877	Nut (Lockout Switch Part)
22	45878	Lockwasher (Lockout Switch Part)
23	41204	Switch, Lockout
24	48851	Wire Assembly, Deck Switch
25	42071	Wire Assembly, By-Pass
26	120368	Locknut, Hex, 5/16-24 Thd.
27	120638	Lockwasher, Split, 5/16 In.
28	9424215	Locknut, hex, 1/4-20 Thd.
29	121900	Screw, Hex Hd, 1/4-20 x 1 In.
30	49734	Bracket, Switch Mounting
31	52323	Solenoid
32	9413447	Locknut, Hex, 5/16-18 Thd.
33		Engine Part
34	41482	Wire Clip, Press
35	52800	Lead Wire, Headlight
36	50668	Screw, Hex Wa. Hd. No. 10-14 x 1/2 In
37	52573	Socket, Headlight
38	52571	Bezel, Headlight
39	52570	Lens, Headlight
40	52572	Bulb, Headlight
41	68587	Decal, Danger