

# OWNER'S MANUAL 16 H.P. LIGHT GROUND ENGAGING TRACTOR with 42" Mower Deck MODEL 3533-0000

## Lawn Mower Division Warranty Policy ONE YEAR LIMITED WARRANTY

For one (1) year from date of purchase by the first consumer for residential use (thirty (30) days commercial use), Lawn Mower Division warrants that it will replace free of charge, including labor, any original part of any Lawn Mower division product found to be defective by any authorized Service Dealer or the factory.

This warranty does not cover batteries, engines, transmissions, transaxles or differentials (these items are covered by their manufacturer's own warranties). This warranty does not cover parts that have failed due to normal wear or parts that have failed subject to misuse or abuse. Transportation of the unit or parts to and from an authorized Service Dealer or the factory is the responsibility of the owner.

A step by step explanation as to what procedure should be followed for this Warranty is:

1. If a part becomes defective, contact the store where the unit was purchased for the name and address of the authorized Service Dealer nearest to you.
2. If you cannot locate an authorized Service Dealer, write Service Department of Lawn Mower Division, for the name and address of the authorized Service dealer in your area.
3. Return the defective product, along with proof of purchase to such authorized Service Dealer for replacement of any defective part where covered by this warranty.

There is no other express warranty. Implied warranties, including those of merchantability and fitness for a particular purpose are limited to one (1) year from date of purchase. Liability for incidental or consequential damages are excluded.

Some states do not allow limitations on how long an implied warranty lasts, so the above limitation may not apply to you. Some states do not allow the exclusion of incidental or consequential damages, so the above exclusion may not apply to you. This warranty gives you specific legal rights, and you may also have other rights which vary from state to state.

Lawn Mower Division P.O. Box 377 Des Moines, Iowa 50302

### UNIT PARTS AND SERVICE

This manual contains instructions for safety, assembly and maintenance. Familiarize yourself with its contents. Also, fill in and mail the warranty registration card packed with the unit. For service other than covered in this manual, contact an authorized service dealer. A list of authorized parts and service dealers for your area has been furnished to the retail dealer where you purchased your unit. A nationwide parts and service organization has been established to provide locally available parts and service. When ordering repair parts always give the following information: 1. The Part Name; 2. The Part Number; 3. The Quantity desired; 4. The Full Model Number of the unit. The model number will be found on a plate attached to the unit.



Look for this symbol. It means — ATTENTION! BECOME ALERT! A HAZARD TO OPERATOR, BYSTANDERS, PROPERTY OR UNIT MAY EXIST.



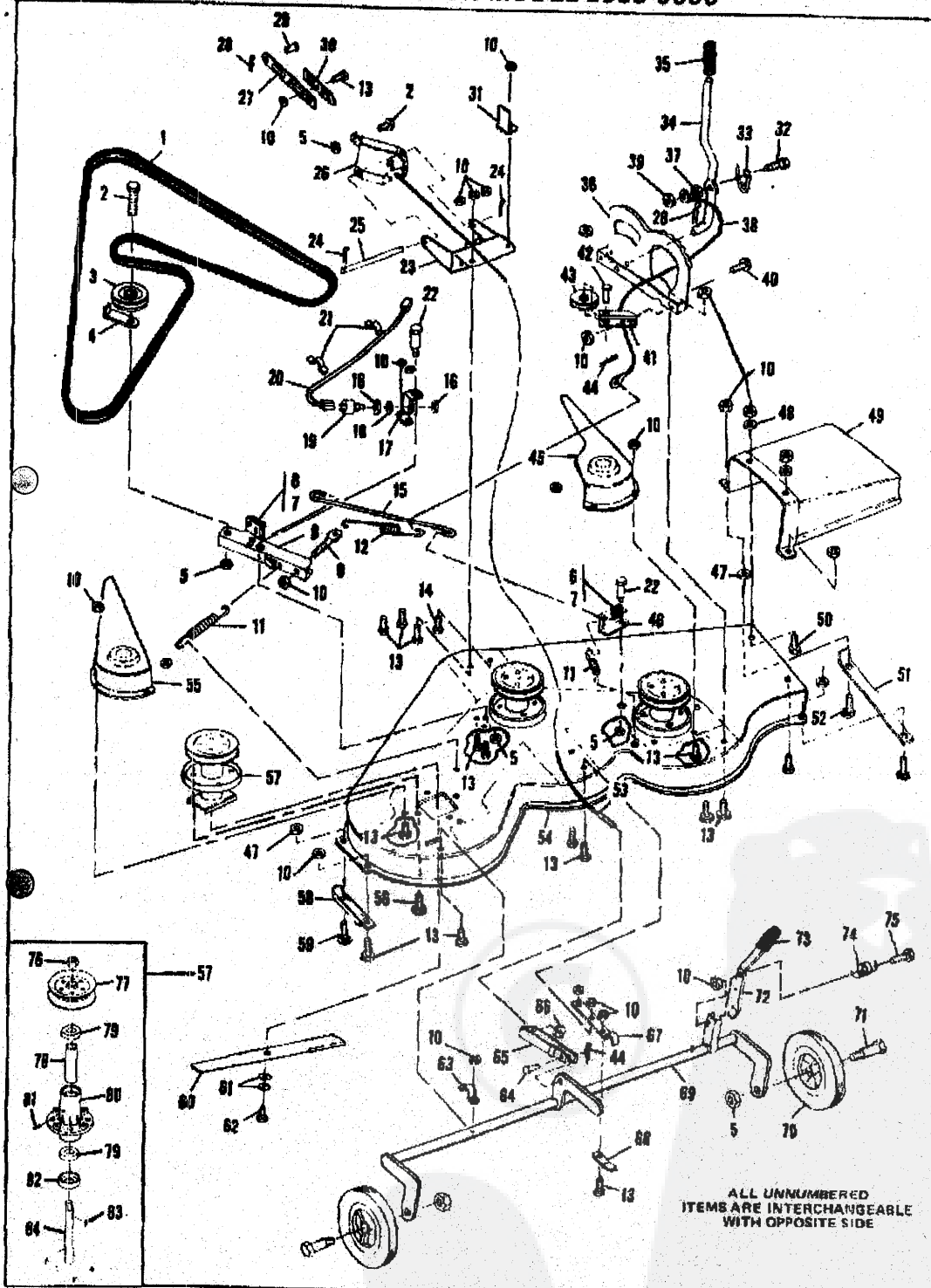
Address all correspondence and make checks payable to:  
LAWN MOWER DIVISION  
P.O. BOX 377  
DES MOINES, IOWA 50302

Part No. 61854

DE90

Printed in U.S.A.

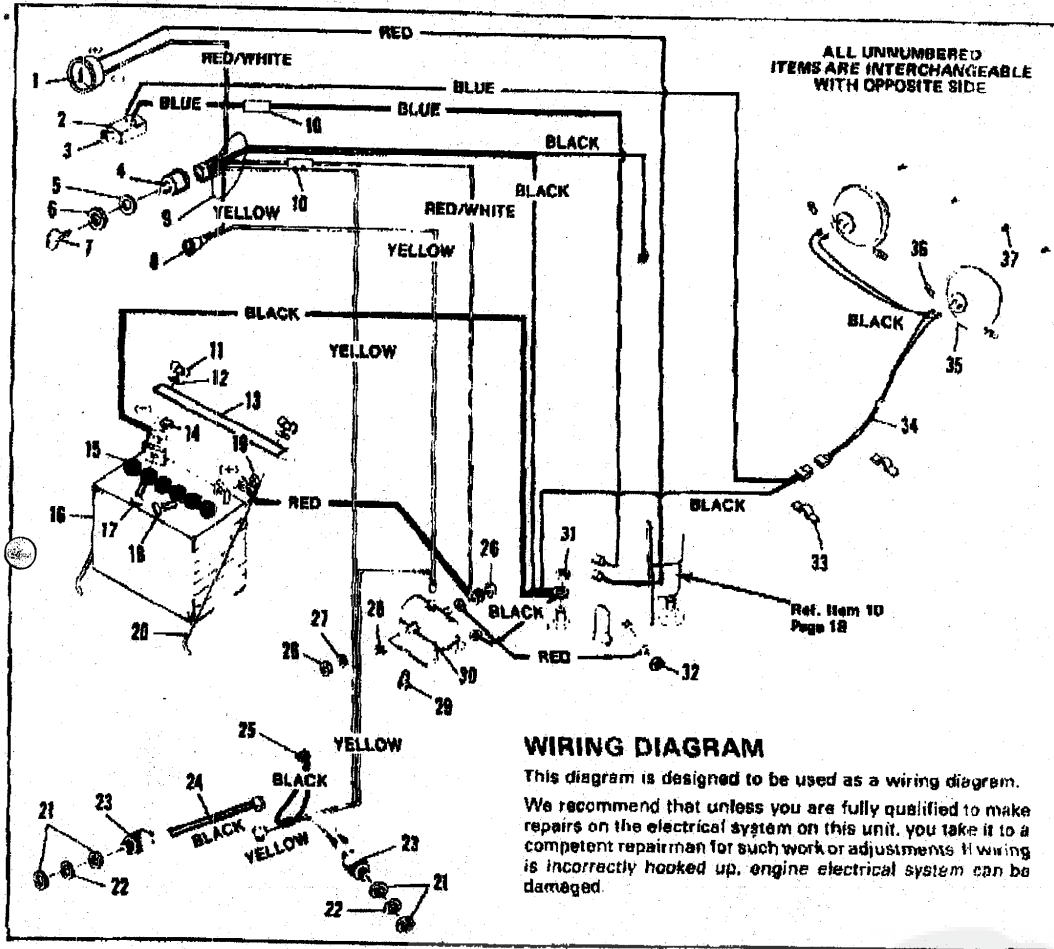
# LIGHT GROUND ENGAGING TRACTOR MODEL 3533-0000



**LIGHT GROUND ENGAGING TRACTOR MODEL 3533-0000**

Key No.	Part No.	Description	Key No.	Part No.	Description
1	49330	V-Belt	44	121222	Cotter Pin, 3/32 x 3/4 In.
2	120918	*Screw, Hex Hd, 3/16 x 1 1/2 In.	45	49584	Belt Guard, R.H.
3	51134	Pulley, Idler	46	49318	Brake Lever Assembly
4	49318	Belt Retainer			(Includes Items 5 & 7)
5	9413834	Locknut, 3/16 Thd	47	271184	Keys Nut, 5/16-18 Thd
6	41471	Pad, Brake	48	120386	*Washer, 5/16 In.
7	41601	Rivet	49	48574	Chute, Discharge
8	49314	Clutch-Brake Arm Assembly	50	122007	*Screw, Hex Hd, 5/16-18 x 3/4 In.
9	51183	Eyebolt	51	49323	Skid, R.H.
10	9413447	Locknut, 5/16-18 Thd	52	126358	*Carriage Bolt, 5/16-18 x 1 In.
11	36410	Spring	53	48612	Lift Cable
12	48331	Spring, Clutch	54	49308	Mower Deck
13	120228	*Screw, Hex Hd, 5/16-18 x 5/8 In.	55	49683	Belt Guard, L.H.
14	122017	*Screw, Hex Hd, 5/16-18 x 1 In.	56	50834	Screw, Hex Wa, Hd Taprite, 5/16-18 x 3/4 In.
15	50683	Brake Rod	57	60700	Quill Assembly
16	45877	Nut, Switch	58	49321	Skid, L.H.
17	47517	Bracket, Idler Arm	59	120230	*Carriage Bolt, 5/16-18 x 1 1/4 In.
18	45878	Washer, Switch	60	49312	Blade, 14 1/2 In.
19	41204	Switch	61	2483	Formed Washer
20	48851	Wire Assembly	62	39573	Screw, Hex Hd, 3/4-24 x 1 In.
21	41482	Press Clip	63	42424	Support, Pivot Tube
22	47518	Shoulder Bolt	64	39522	Pin, Clevis
23	48676	Lift Support Plate	65	38404	Clevis, Lift Cable
24	48675	Cotter Pin	66	120372	*Nut, Square, 1/4-20 Thd
25	47614	Pin, Pivot	67	49322	Brace, Pivot Tube
26	50613	Bracket, Pivot	68	50082	Angle Bracket
27	49059	Bar Hitch, Straight	69	51299	Pivot Tube Assembly
28	8260	Hair Pin Cotter	70	39831	Wheel & Tire Assembly
29	47816	Pin, Clevis, Short	71	23763	Axle, Deck Wheel
30	49058	Bracket, Lock	72	50027	Lever, Height Adjust
31	49898	Upstop Bracket	73	49938	Hand Grip, Height Adjust Lever
32	50588	Screw, Hex Hd, Special, 1/4-20 x 1 1/4 In.	74	29170	Spring, Height Adjust Lever
33	48561	Spring, Clutch Lever	75	122040	*Screw, Hex Hd, 5/16-18 x 1 1/2 In.
34	50026	Clutch Lever	76	42445	Locknut, 3/8 Thd
35	46478	Hand Grip	77	50371	Pulley
36	47516	Quadrant	78	50818	Spacer
37	271172	Keys Nut, 1/4-20 Thd	79	50897	Bearing
38	49326	Clutch Cable	80	50702	Housing
39	9424215	Locknut, 1/4-20 Thd	81	708	Grease Fitting
40	122052	*Screw, Hex Hd, 5/16-18 x 1 1/4 In.	82	60816	Dust Shield
41	49320	Support, Cable Pulley	83	103906	Key, Woodruff
42	49332	Pin, 3/8 x 1 In.	84	50887	Shaft & Saddle Assembly
43	39298	Pulley, Nylon			

# LIGHT GROUND ENGAGING TRACTOR MODEL 3533-0000

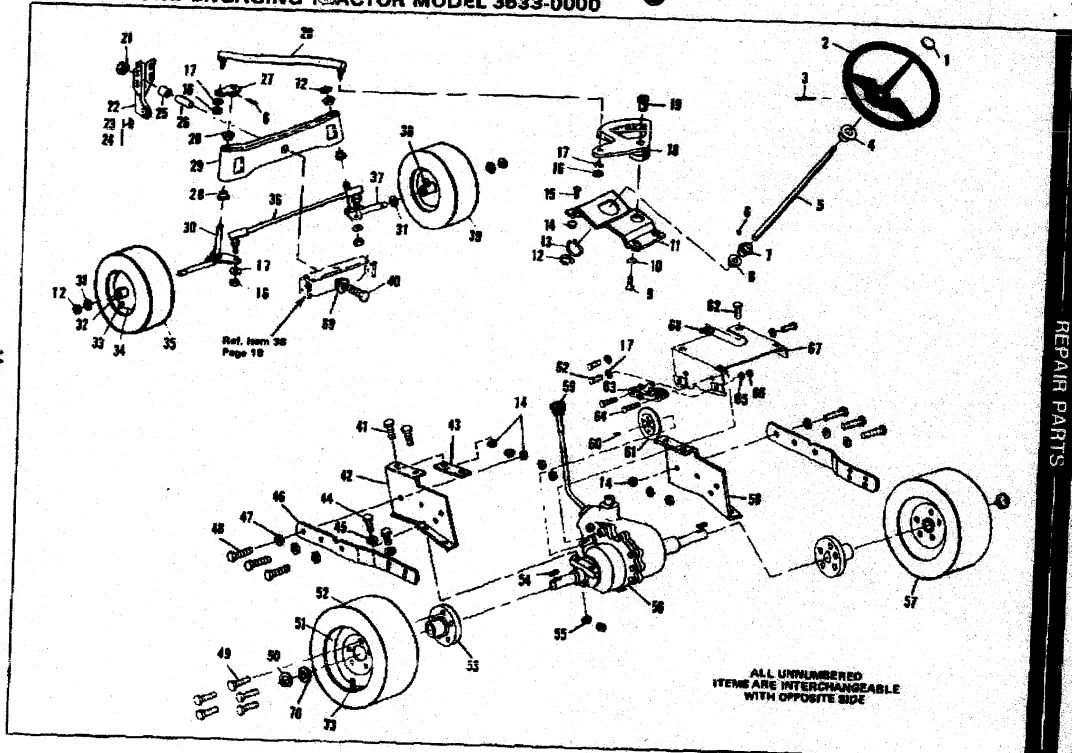


Key No.	Part No.	Description
1	39483	Ammeter
2	40997	Switch w/ Knob, Headlamp
3	40778	Knob, Headlamp Switch
4	44748	Switch, Ignition w/Keys
5	138587	Lockwasher (Switch Part)
6	48140	Locknut (Switch Part)
7	36285	Key, Ignition
8	46333	Indicator Light
9	50793	Wire Harness Assembly
10	49211	Fuse
11	997208	*Wing Nut, Nylock, 1/4-20 Thd
12	120386	*Flatwasher, 1/4 In.
13	50858	Bracket, Battery Hold-Down
14	271172	Nut, Keps, 1/4-20 Thd
15	40892	Cap, Battery
16	2938	Battery
17	110356	*Carriage Bolt, 1/4-20 x 1/2 In.
18	126211	*Carriage Bolt, 5/16-18 x 1/2 In.
19	271184	Nut, Keps, 5/16-18 Thd

Key No.	Part No.	Description
20	50858	Battery Rod
21	45877	Nut, (Locknut Switch Part)
22	46878	Lockwasher, (Lockout Switch Part)
23	41204	Switch, Lockout
24	48851	Wire Assembly, Deck Switch
25	42071	Wire Assembly, By-Pass
26	120368	Locknut, Hex, 5/16-24 Thd
27	120838	*Lockwasher, Split, 5/16 In.
28	9424215	Locknut, Hex, 1/4-20 Thd
29	120854	*Screw, Hex Hd, 1/4-20 x 3/4 In.
30	44429	Solenoid
31	9413447	Locknut, Hex, 5/16-18 Thd
32		Engine Part
33	41482	Wire Clip, Press
34	44911	Lead Wire, Headlamp
35	44085	Headlamp
36	50545	Clip, Headlamp Mounting
37	49689	Screw, Self-Tap Hex Hd, 1/4-14 x 1/2 In.

\*Standard Hardware Items - May Be Purchased Locally.

**LIGHT GROUND ENGAGING TRACTOR MODEL 3533-0000**



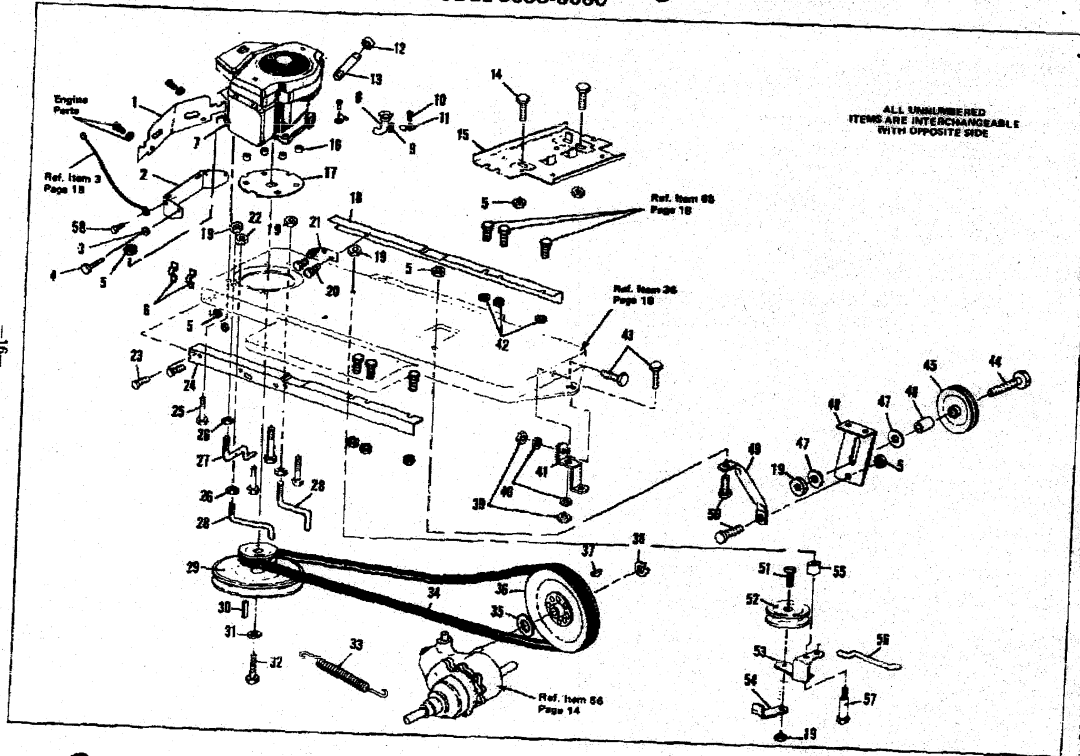
REPAIR PARTS

**LIGHT GROUND ENGAGING TRACTOR MODEL 3533-0000**

Key No.	Part No.	Description	Key No.	Part No.	Description	Key No.	Part No.	Description
1	43510	Cap. Steering Wheel	25	49343	Spacer, Hanger	48	180081	Screw, Hex Hd, 5/16-18 x 1 1/4 In.
2	43509	Steering Wheel	26	47891	Bushing	49	49778	Bolt, Wheel
3	456836	*Roll Pin, 1/4 x 2 1/4 In.	27	49447	Steering Arm Assembly	50	49767	Retaining Ring
4	39432	Bearing	28	49387	Bearing, Front Spindle	51	50989	Wheel, Rear
5	48538	Shaft, Steering Wheel	29	49389	Front Axle Assembly	52	50988	Tire, Rear
6	454585	*Roll Pin, 1/4 x 1 1/4 In.	30	49361	Front Spindle Assembly, L.H.	53	49348	Hub, Rear Wheel
7	44009	Pinion	31	642	Flatwasher	54	49758	Key, Hi-Pro
8	39680	Bearing	32	49613	Bushing	55	9413834	*Locknut, 3/8-16 Thd
9	38573	Screw, Lock, Hex Hd, 3/8-24 x 1 In.	33	24167	Valve Stem	56	Transaxle	Transaxle (See Warranty Page 13)
10	2483	Spring Washer	34	49401	Wheel, Front	57	50795	Wheel & Tire Assy, Rear
11	50090	Steering Plate Assembly	35	49389	Tire, Front	58	49356	Bracket, Transaxle, R.H.
12	38825	"E" Ring	36	46501	Tire Rod Assembly	59	29483	Knob, Shift Lever
13	39492	Retaining Ring	37	49362	Front Spindle Assembly, R.H.	60	3021	Key, Woodruff, No. 806
14	9413447	*Locknut, Hex, 5/16-18 Thd	38	273328	Zerk, Grease, 1/4-28 Thd	61	49396	Disc Assembly, Brake
15	120228	*Screw, Hex Hd, 5/16-18 x 3/4 In.	39	49367	Wheel & Tire Assembly, L.H.	62	120233	*Screw, Hex Hd, 3/8-16 x 1 In.
16	120389	*Nut, Hex, 3/8-24 Thd	40	42456	Bolt, Front Axle Pivot	63	49395	Brake Caliper
17	120382	*Lockwasher, Split, 3/8 In.	41	180079	Screw, Hex Hd, 5/16-18 x 1 In.	64	180044	Screw, Hex Hd, 1/4-20 x 2 In.
18	48543	Sector Gear	42	49357	Bracket, Transaxle, L.H.	65	120380	Lockwasher, Split, 1/4 In.
19	44011	Shoulder Bolt, Sector Gear	43	50957	Spacer	66	120376	Nut, Hex, 1/4-20 Thd
20	48538	Drag Link Assembly	44	180125	Screw, Hex Hd, 3/8-16 x 1 1/4 In.	67	49370	Bracket, Transaxle & Brake
21	42445	Locknut, 3/8-18 Thd	45	274517	Flatwasher	68	44578	Nut, Speed Grip, 3/8-16 Thd
22	49364	Bracket, Deck Hanger	46	49760	Hitch Bar	69	46209	Washer
23	69029	Decal, Deck Hanger, R.H.	47	120388	Flatwasher, 1/4 In.	70	49631	Washer, Hub
24	69027	Decal, Deck Hanger, L.H.						

\*Standard Hardware Items - May Be Purchased Locally.

**LIGHT GROUND ENGAGING TRACTOR MODEL 3533-0000**



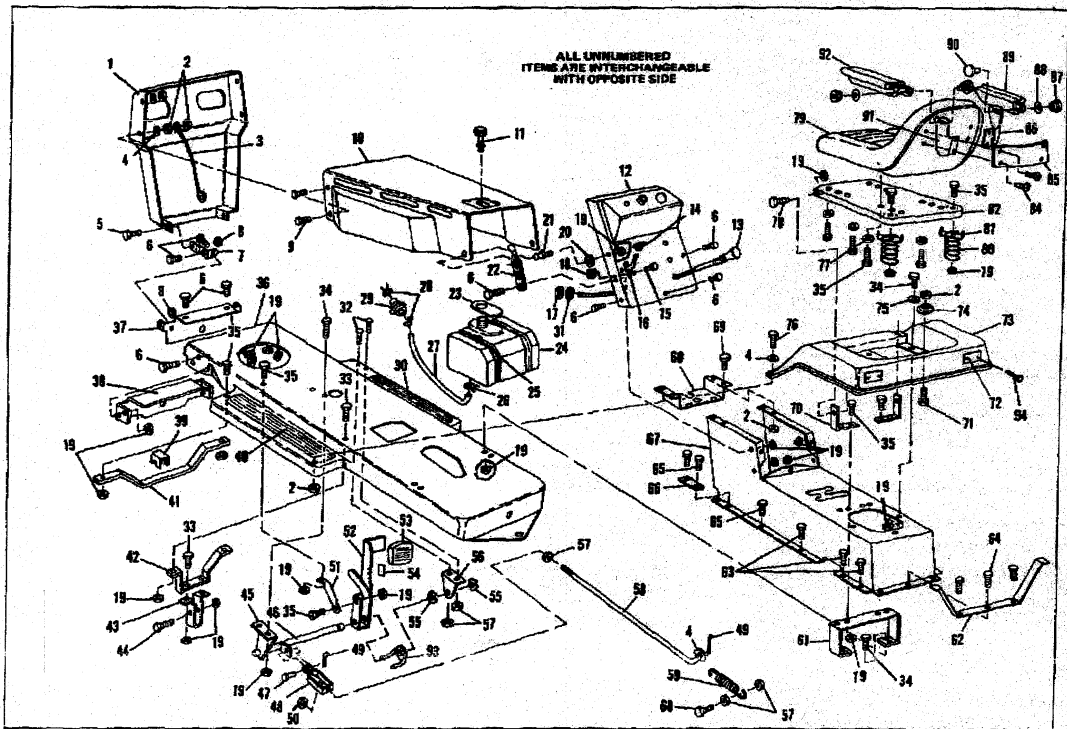
**LIGHT GROUND ENGAGING TRACTOR MODEL 3533-0000**

Key No.	Part No.	Description	Key No.	Part No.	Description	Key No.	Part No.	Description
1	50894	Bulkhead, Hood	20	40886	*Screw, Tapite, ¼-20 x ¾ In.	39	124589	Nut, Hex, ¾ Thd.
2	50872	Baffle, Engine	21	49868	Bracket, Switch Mount	40	121574	Lockwasher, ¾ In.
3	120380	*Lockwasher, Split, ¼ In.	22	41529	Jamnut, ¾-16 Thd	41	48827	Hitch, Tractor
4	120864	*Screw, Hex Hd, ¼-20 x ¾ In.	23	190077	*Screw, Hex Hd, 5/16-18 x ¾ In.	42	50352	Locknut, Flange
5	9413447	*Locknut, Hex, 5/16-18 Thd	24	49966	Angle, Torsion, L.H.	43	428211	Screw, Hex Hd, 5/11 x 1 ¼ In.
6	41482	Press Clip	25	180091	*Screw, Hex Hd, 5/16-18 x 2 ½ In.	44	122181	*Screw, Hex Hd, ¾-16 x 2 In.
7	Engine	See Footnote Below	26	271190	*Nut, Caps, ¾-16 Thd	45	49404	Pulley, Idler Backside
8	50790	Exhaust Tube	27	40977	Belt Guide	46	41804	Spacer
9	35287	Screw, Hex Wa. Hd, No. 8-32 x ¾ In.	28	49363	Bolt Guide	47	120394	*Flatwasher, ¾ In.
10	36288	Screw, Tapite, No. 10-24 x ¾ In.	29	50792	Pulley, Engine	48	49365	Bracket, Idler
11	50861	Clip, Cable	30	33200	Key, ¼ x ¼ x 1 ½ In.	49	49354	Bracket, Idler Support
12	47828	Cap, Oil Drain Tube	31	120383	*Lockwasher, Split, 7/16 In.	50	120228	*Screw, Hex Hd, 5/16-18 x ¾ In.
13	50789	Tube, Oil Drain	32	123667	*Screw, Hex Hd, 7/16-20 x 1 In.	51	120918	*Screw, Hex Hd, ¾-16 x 1 ½ In.
14	120228	*Screw, Hex Hd, 5/16-18 x ¾ In.	33	51297	Spring, Clutch	52	35374	Pulley, Idler
15	49762	Support, Main Frame	34	49405	V-Belt	53	40162	Idler Arm
16	50882	Spacer	35	49386	Washer	54	39559	Belt Retainer
17	50867	Plate, Engine	36	49368	Pulley, Input	55	40209	Spacer
18	49867	Angle, Torsion, R.H.	37	3021	Key, Woodruff, No. 608	56	40154	Rod, Clutch
19	9413534	*Locknut, Hex, ¾-18 Thd	38	2380	Retaining Ring	57	49333	Shoulder Bolt
						58	995338	*Screw, Hex Hd, ¼-20 x ¾ In.

\*Standard Hardware Items - May Be Purchased Locally.

Replacement engines and parts are obtainable from Engine Manufacturer's authorized Service Stations who are also to be contacted in regard to the Engine Warranty. See your Engine Manual for location of these stations.

LIGHT GROUND ENGAGING TRACTOR MODEL 3533-0000



LIGHT GROUND ENGAGING TRACTOR MODEL 3533-0000

Key No.	Part No.	Description	Key No.	Part No.	Description	Key No.	Part No.	Description
1	48771	Grille Assembly	34	120228	*Screw, Hex Hd, 5/16-18 x 3/4 In.	67	50874	Console
2	9424215	Locknut, Hex, 3/4-20 Thd	35	122007	*Screw, Hex Hd, 5/16-18 x 3/4 In.	68	50870	Tray, Fuel Tank
3	50788	Lanyard, Hood	36	50741	Main Frame	69	120706	*Screw, Hex Hd, 1/4-20 x 1/2 In.
4	120366	*Washer, 1/2 In.	37	48782	Plate, Front Reinforcing	70	50880	Support, Hinge
5	120233	*Screw, Hex Hd, 3/8-18 x 1 In.	38	50866	Bracket, Axle Support, Front	71	50559	Screw, Hex Hd, 1/4-20 x 3/4 In.
6	48801	Screw, Hex Washer Hd, 5/16-18 x 3/4 In.	39	43839	Foot Pad, L.H.	72	51410	Reflector
7	49334	Bracket, Grille	40	48720	Brace, Front Footrest	73	50880	Fender Assembly
8	9413534	Locknut, Hex, 3/4-18 Thd	41	49389	Guide Support, Rear Mower Deck	74	50896	Spring Cup
9	48800	Screw, Hex Wa. Hd, 3/4-20 x 1 In.	42	49358	Guide, Rear, Mower Deck	75	120393	*Washer, 5/16 In.
10	50893	Hood Assembly	43	49899	*Screw, Hex Hd, 5/16-18 x 1 1/4 In.	76	121900	*Screw, Hex Hd, 1/4-20 x 1 In.
11	50791	Gas Gauge	44	122027	Bracket, Brake-Clutch Rod	77	120638	*Lockwasher, Split, 5/16 In.
12	50671	Dash Assembly	45	49345	Rod Assembly, Brake-Clutch	78	20607	Shoulder Bolt
13	50787	Cable, Choke	46	49352	Pin, Clevis	79	50885	Seat
14	39486	Knob, Throttle Control	47	49332	Clevis, Brake Rod	80	49335	Spring, Seat
15	35291	Screw, Hex Hd, No. 10-24 x 1/2 In.	48	49349	*Pin, Cotter, 3/32 x 1 In.	81	49339	Clip, Seat Spring
16	50786	Throttle Control	49	121224	Nut, Square, 5/16-18 Thd	82	50873	Mounting Bracket, Seat
17	124925	Jam Nut	50	120373	Brace, Clutch Bracket	83	50895	Kit, Arm Rest (Not Illustr.)
18	271166	Nut, Keps, No. 10-24 Thd	51	51239	Brake Pedal Assembly	84	51353	(Incl. Items 84 - 92)
19	9413447	Locknut, Hex, 5/16-18 Thd	52	49383	Rubber Pad, Pedal	85	51350	Screw, 5/16-18 x 3/4 In.
20	48705	Pad, Hood Latch	53	48150	Decal, Brake	86	51348	Bracket, Arm Mountings, R.H.
21	48703	Latch, Rubber	54	68585	"E" Ring	87	51360	Nut, Pivot
22	50864	Pad, Fuel Tank	55	20984	Bracket, Brake-Clutch Rod, Short	88	51352	Washer
23	50711	Tank, Fuel	56	48157	Nut, Keps, 5/16-18 Thd	89	51346	Arm, R.H.
24	44413	Strap, Fuel Tank	57	271184	Brake Rod	90	51361	Bolt, Pivot
25	47345	Clamp, Fuel Line	58	49353	*Spring, Brake Return	91	51349	Bracket, Arm Mounting, L.H.
26	51211	Tubing, Fuel Line	59	49342	*Screw, Hex Hd, 5/16-18 x 2 1/2 In.	92	51347	Arm, L.H.
27	41008	Clamp, Fuel Line	60	122077	Support, Console	93	51413	Spring, Brake Return
28	50900	Filter, Fuel	61	50883	Brace, Fender Support	94	51411	Screw, Pan Hd.
29	48728	Foot Pad, R.H.	62	50897	*Screw, Taprite, 1/4-20 x 3/4 In.			
30	138489	Washer, Shakeproof, 3/8 In.	63	995346	*Screw, Hex Hd, 1/4-20 x 3/4 In.			
31	126211	*Carriage Bolt, 5/16-18 x 3/4 In.	64	986338	*Screw, Hex Hd, 1/4-20 x 1/2 In.			
32	126211	*Screw, Hex Hd, 5/16-18 x 1 1/4 In.	65	44229	Screw, Taprite, 1/4-20 x 1 In.			
33	122017		66	42385	Reinforcement Console			

\*Standard Hardware Items - May Be Purchased Locally.