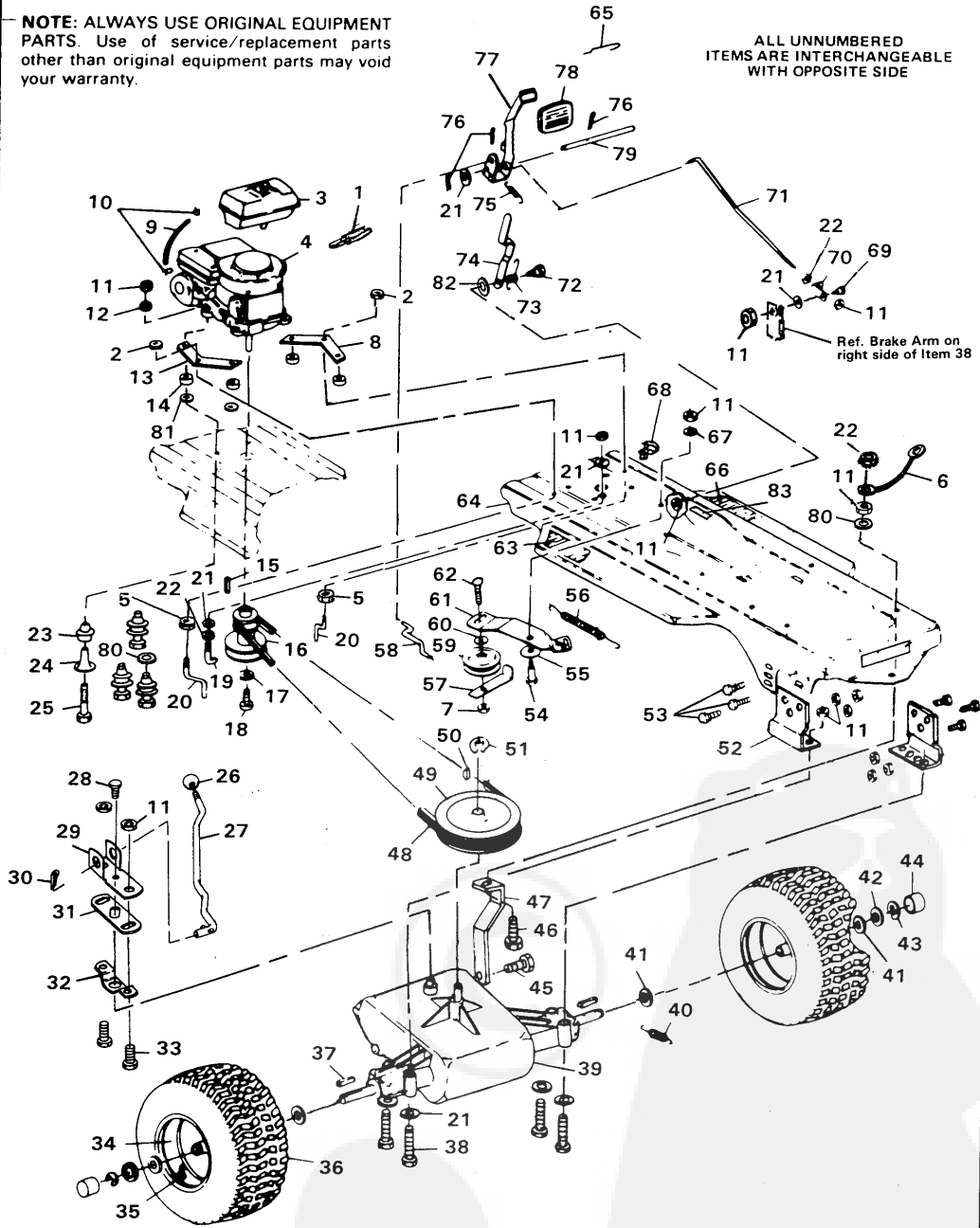


32" RIDING MOWER MODEL 3554-3500

NOTE: ALWAYS USE ORIGINAL EQUIPMENT PARTS. Use of service/replacement parts other than original equipment parts may void your warranty.

ALL UNNUMBERED ITEMS ARE INTERCHANGEABLE WITH OPPOSITE SIDE



32" RIDING MOWER MODEL 3554-3500

ALWAYS GIVE THE FOLLOWING INFORMATION WHEN ORDERING REPAIR PARTS:

1. The PART NUMBER; 2. The PART NAME; 3. QUANTITY DESIRED; 4. The MODEL NUMBER (As shown on Model Plate)

SEND PART ORDERS AS PER INSTRUCTIONS ON THE FRONT PAGE

YOUR UNIT IS RIGHT HAND (RH) OR LEFT HAND (LH) AS YOU STAND BEHIND IT.

DO NOT USE KEY NUMBERS WHEN ORDERING REPAIR PARTS, ALWAYS USE PART NUMBERS.

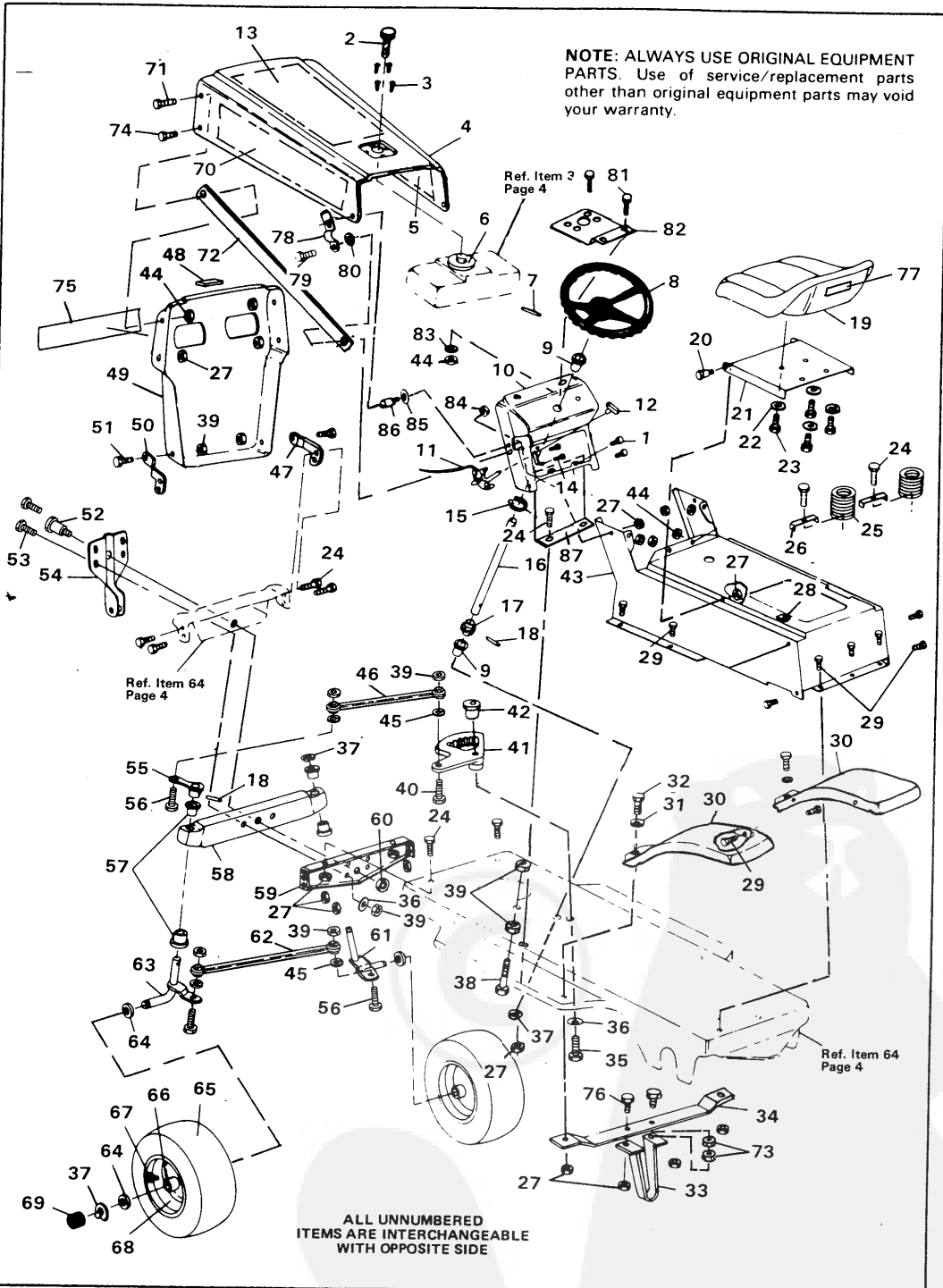
All replacement parts will be supplied in current production colors or in a neutral color.

A handling fee is applicable to small parts orders.

Key No.	Part No.	Description	Key No.	Part No.	Description
1	54873	Trough, Oil Drain	43	36625	"E" Ring
2	41529	Jam Nut	44	40394	Hub Cap
3	48812	Gas Tank	45	35498	Screw, Hex Wa. Tap, 5/16-18 x 3/4 In
4	Engine	§See footnote below	46	122017	*Screw, Hex Hd, 5/16-18 x 1 In.
5	271190	Keps Nut, 3/8-16 Thd.	47	54713	Bracket, Stabilizer
6	55511	Ground Wire	48	54758	V-Belt
7	9413534	Locknut, Hex, 3/8-16 Thd.	49	55520	Pulley, Transaxle
8	43954	Vibration Bracket, R.H.	50	3021	Key, Woodruff, No. 606
9	48049	Gas Line	51	22053	Retaining Ring
10	41008	Clip, Gas Line	52	53768	Bracket, Axle
11	9413447	Locknut, Hex 5/16-18 Thd.	53	120228	*Screw, Hex Hd, 5/16-18 x 5/8 In.
12	120368	*Lockwasher, Split, 5/16 In.	54	41890	Shoulder Bolt
13	43955	Vibration Bracket, L.H.	55	4107	Washer
14	44015	Mount, Upper	56	49276	Spring, Main Drive
15	33200	Key, Engine Pulley	57	39659	Belt Retainer
16	55795	Pulley, Engine	58	43980	Rod, Clutch
17	120383	*Lockwasher, Split, 7/16 In.	59	35374	Pulley, Idler
18	123567	*Screw, Hex Hd, 7/16-20 x 1 In.	60	274517	*Flatwasher, 25/64 In.
19	49896	Belt Guide, Trans. Drive Belt	61	53762	Idler Arm
20	50653	Belt Guide, Blade Drive	62	45892	Carriage Bolt, 3/8-16 x 1 1/2 In.
21	120386	*Flatwasher, 1/4 In.	63	54955	Foot Pad, Left
22	271184	Nut, Hex, Keps, 5/16-18 Thd.	64	54749	Main Frame
23	44016	Mount, Lower	65	55025	Retainer, Brake Pad
24	42273	Sleeve	66	54618	Foot Pad, Right
25	180112	Screw, Hex Hd, 5/16-18 x 2 3/4 In.	67	45602	Washer
26	55514	Knob, Gear Shift	68	54888	Retainer, Wire
27	55526	Shift Lever	69	20507	Shoulder Bolt
28	54686	Screw, Nylock, 1/4-28 x 3/4 In.	70	54723	Bracket, Brake Rod
29	55517	Shift Bracket	71	54715	Rod, Brake
30	137185	Pin, Cotter, 1/8 x 1 In.	72	40974	Shoulder Bolt, Parking Brake
31	55516	Shift, Adjusting Bracket	73	43968	Spring, Parking Brake
32	54685	Shift Bracket, Lower	74	50980	Arm, Parking Brake
33	120229	*Screw, Hex Hd, 5/16-18 x 7/8 In.	75	50562	Spring, Clutch Pedal
34	36182	Wheel	76	121222	*Pin, Cotter, 3/32 x 3/4 In.
35	24167	Valve Stem	77	55722	Brake Pedal Assembly
36	42091	Tire	78	53979	Rubber Pad, Brake Pedal
37	39628	Key, 3/16 x 3/16 x 2 1/2 In.	79	43956	Shaft, Brake-Clutch Pedal
38	122077	*Screw, Hex Hd, 5/16-18 x 2 1/2 In.	80	138485	Washer, Shakeproof
39	Transaxle	†Peerless 4 sped, Model 900	81	138542	Washer, Shakeproof
40	35410	Spring, Brake Return	82	32327	Wave Washer
41	642	Flatwasher	83	68903	Decal, Brake Clutch
42	42815	Flatwasher			

32" RIDING MOWER MODEL 3554-3500

NOTE: ALWAYS USE ORIGINAL EQUIPMENT PARTS. Use of service/replacement parts other than original equipment parts may void your warranty.



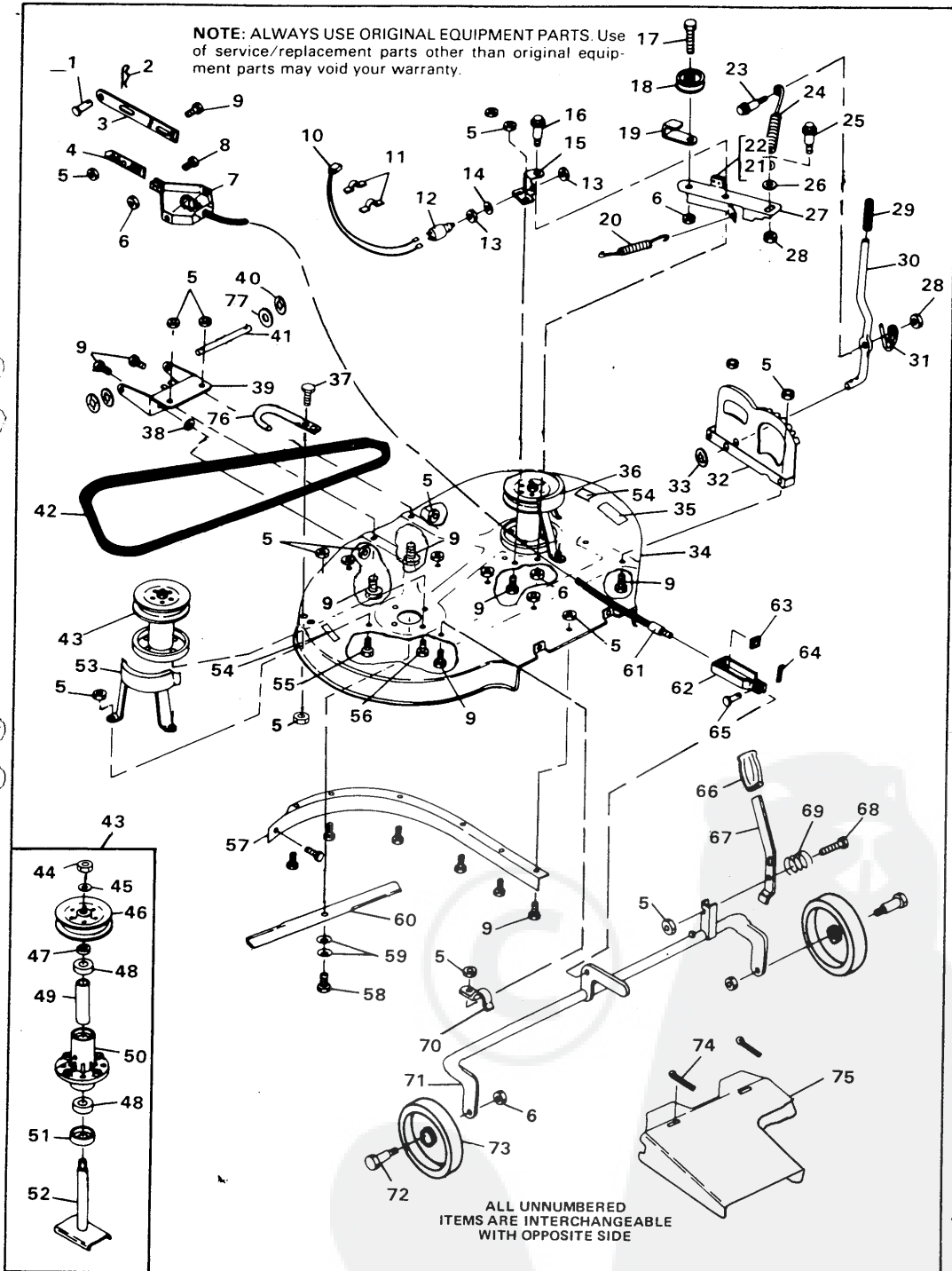
32" RIDING MOWER MODEL 3554-3500

Key No.	Part No.	Description	Key No.	Part No.	Description
1	48900	Screw, Hex Wa. Hd, ¼-20 x 1 In.	45	120382	*Lockwasher, Split, ⅝ In.
2	50988	Gas Gauge	46	55513	Drag Link Assembly
3	49050	Screw, Plastite, ¼-10 x ¾ In.	47	47852	Bracket, Grille Support, R.H.
4	52226	Hood	48	39687	Pad, Vibration
5	55934	Foam Pad, Hood, R.H.	49	55061	Grille
6	54885	Pad, Vibration	50	47851	Bracket, Grille Support, L.H.
7	456826	Spring Pin, ¼ x 2¼ In.	51	120233	*Screw, Hex Hd, ⅝-16 x 1 In.
8	55633	Steering Wheel	52	50720	Shoulder Bolt Axle Pivot
9	54902	Bearing, Steering	53	122201	*Screw, Hex Hd, ⅝-16 x 2¾ In.
10	55564	Dash Assembly	54	55523	Bracket, Deck Hanger
11	50117	Lever, Throttle Control	55	49447	Arm, Steering
12	39486	Knob, Throttle Control Lever	56	122145	*Screw, Hex Hd, ⅝-16 x 1¼ In.
13	55933	Foam Pad, Hood, Top	57	50546	Bearing, Spindle
14	35287	Screw, Taptite, No. 8-32 x ⅝ In.	58	44062	Front Axle Assembly
15	39492	Retaining Ring	59	55522	Bracket, Front Axle Support
16	44008	Shaft, Steering	60	274654	Locknut, Hex ¼-20 Thd.
17	44009	Pinion Gear	61	55870	Spindle, Right
18	454565	Roll Pin	62	55512	Tie Rod
19	51866	Seat	63	55869	Spindle, Left
20	20507	Shoulder Bolt	64	642	Flatwasher, ¾ In.
21	53668	Seat Bracket	65	41096	Tire
22	120638	*Lockwasher, Split, 5/16 In.	66	39979	Bearing
23	120834	*Screw, Hex Hd, 5/16-18 x 1½ In.	67	24167	Valve Stem
24	120228	*Screw, hex Hd, 5/16-18 x ⅝ In.	68	39937	Wheel w/Bearing
25	52332	Spring, Seat	69	40394	Hub Cap
26	49339	Clip, Seat Spring	70	55935	Foam Pad, Hood, L.H.
27	9413447	Locknut, Hex, 3/16-18 Thd.	71	121900	Screw, Hex Hd, ¼-20 x 1 In.
28	39239	Speed Nut	72	52230	Brace, Grille
29	995346	*Screw, Taptite, ¼-20 x ½ In.	73	120377	Nut, Hex, ⅝-16 Thd.
30	43970	Fender	74	29584	Shoulder Bolt
31	446363	*Flatwasher, 5/16 In.	75	53704	Metalcal
32	122017	*Screw, Hex Hd, 5/16-18 x 1 In.	76	122040	Screw, Hex Hd, 5/16-18 x 1½ In.
33	44500	Bracket, Deck Guide	77	67669	Decal, Caution
34	43964	Bracket, Deck Guide Support	78	55020	Hood Latch
35	39573	Screw, Hex Hd, Lock, ⅝-24 x 1 In.	79	8482	Shoulder Bolt
36	2483	Spring Washer	80	120394	Flatwasher
37	36625	"E" Ring	81	120854	Screw, Hex Hd, ¼-20 x ⅝ In.
38	49930	Upstop Bolt	82	55387	Support Bracket
39	9413534	Locknut, ⅝-16 Thd.	83	120386	Washer, 5/16 In.
40	120918	*Screw, Hex Hd, ⅝-16 x 1½ In.	84	45174	Locknut, Wide Flange, 5/16-18 Thd.
41	44010	Sector Gear	85	138538	Washer, Internal Lock
42	44011	Shoulder Bolt, Sector Gear	86	54419	Pin, Hood Latch
43	55525	Console Assembly	87	55537	Bulkhead, Console
44	9424215	Locknut, Hex, ¼-20 Thd.			

*Standard Hardware Items - May Be Purchased Locally.

32" RIDING MOWER MODEL 3554-3500

NOTE: ALWAYS USE ORIGINAL EQUIPMENT PARTS. Use of service/replacement parts other than original equipment parts may void your warranty.



ALL UNNUMBERED ITEMS ARE INTERCHANGEABLE WITH OPPOSITE SIDE

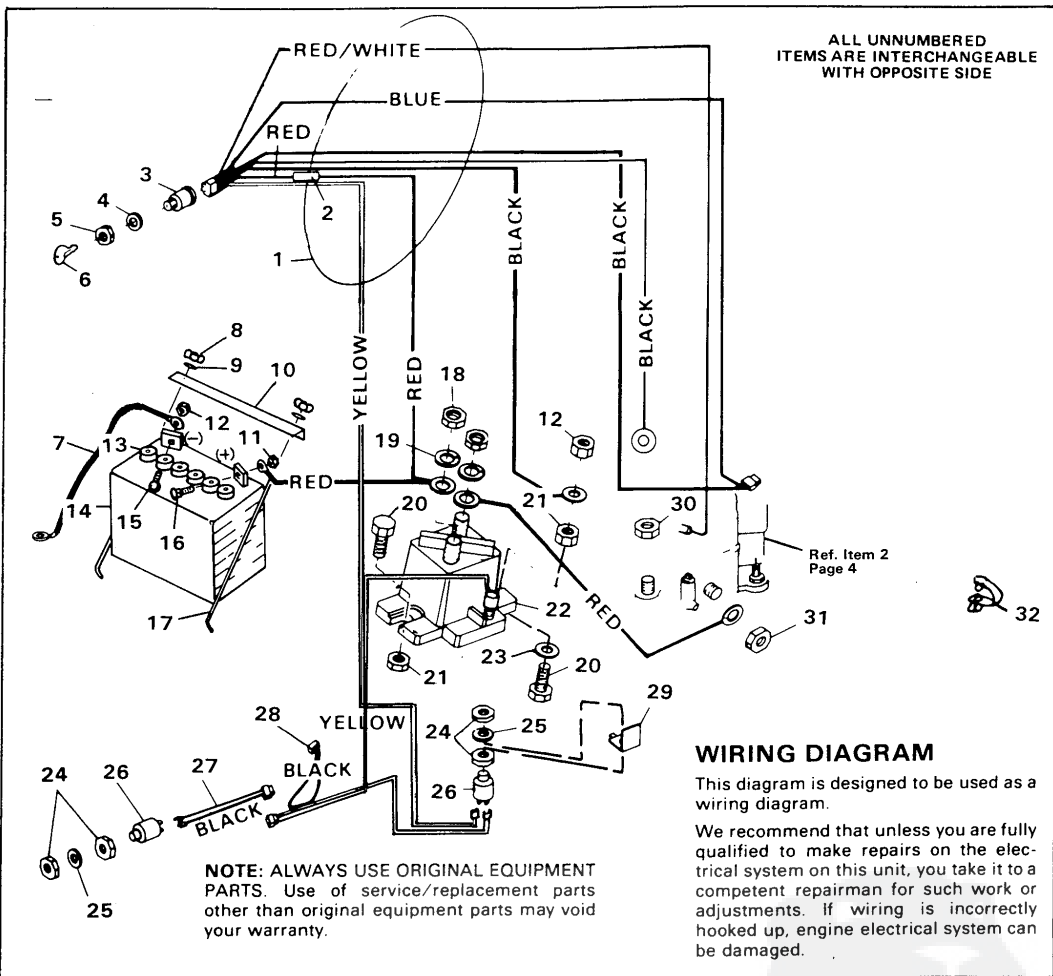
32" RIDING MOWER MODEL 3554-3500

Key No.	Part No.	Description
1	47816	Pull Pin
2	8260	Hairpin Cotter
3	49059	Bar Hitch
4	49058	Lock Bracket
5	9413447	Locknut, 5/16-18 Thd.
6	9413534	Locknut, 3/8-16 Thd.
7	50613	Pivot Bracket
8	120918	*Screw, Hex Hd, 3/8-16 x 1 1/2 In.
9	120228	*Screw, Hex Hd, 5/16-18 x 3/4 In.
10	43038	Assembly
11	41482	Clip, Press
12	41204	Switch, Lockout
13	45877	Nut (Lockout Switch Part)
14	45878	Lockwasher (Lockout Switch Part)
15	47517	Bracket, Idler Arm
16	47516	Shoulder Bolt
17	122168	*Screw, Hex Hd, 3/8-16 x 1 3/8 In.
18	52694	Pulley, Idler
19	52695	Belt Retainer
20	35410	Spring
21	41601	Rivet, Brake Pad
22	41471	Brake Pad
23	53696	Shoulder Bolt
24	47357	Spring, Clutch Lever
25	46563	Shoulder Bolt
26	120392	*Flatwasher, 9/32 In.
27	53055	Idler Arm Assy. (Incl. Nos. 21 & 22)
28	9424215	Locknut, 1/4-20 Thd.
29	46478	Grip, Clutch Lever
30	53693	Lever, Clutch
31	46561	Spring, Clutch Lever
32	53247	Quadrant
33	53697	Push Nut
34	51948	Mower Deck
35	68543	Decal, Height Adjustment
36	47352	Cover, Pulley, R.H.
37	122007	Screw, Hex Hd, 5/16-18 x 3/4 In.
38	996416	*Flatwasher, 3/8 In.
39	48676	Lift Support, Plate Assembly

Key No.	Part No.	Description
40	20864	"E" Ring
41	55724	Pin, Pivot
42	47390	V-Belt
43	51438	†Quill Assy. (Incl. Nos. 44-52)
44	51445	Locknut, Flange
45	446248	Flatwasher, 11/16 In.
46	51442	Pulley
47	51441	Spacer
48	49562	Bearing
49	50818	Spacer, Tube
50	55547	Quill
51	50616	Dust Shield
52	51439	Saddle and Shaft Assembly
53	47353	Cover, Pulley, L.H.
54	68902	Decal, Caution
55	122017	*Screw, Hex Hd, 5/16-18 x 1 In.
56	50634	Screw, Taptite, 5/16-18 x 7/8 In.
57	47354	Baffle, L.H.
58	39573	Screw, Hex Hd, 3/8-24 x 1 In.
59	2483	Formed Washer
60	54883	Blade, 16 In.
61	53037	Lift Cable
62	39404	Clevis, Lift Cable
63	120372	*Nut, Square, 1/4-20 Thd.
64	121222	*Pin, Cotter, 3/32 x 3/4 In.
65	39522	Pin, Clevis
66	20250	Hand Grip
67	49131	Lever, Height Adjustment
68	120696	*Screw, Hex Hd, 5/16-18 x 2 1/4 In.
69	53246	Spring
70	51985	Support, Pivot Tube
71	54606	Pivot Tube Assembly
72	23763	Wheel Axle
73	52584	Wheel Assy, Deck
74	120123	*Pin, Cotter, 1/8 x 1 1/4 In.
75	54528	Chute Extension
76	51921	Skid
77	996425	Flatwasher

*Standard Hardware Items - May Be Purchased Locally.

32" RIDING MOWER MODEL 3554-3500



Key No.	Part No.	Description
1	55528	Wire Harness Assembly
2	49211	Fuse
3	52583	Switch, Ignition w/Keys
4	138557	Lockwasher (Switch Part)
5	48140	Locknut (Switch Part)
6	49643	Key, Ignition
7	55511	Ground Wire
8	997208	*Wing Nut, Nylock, 1/4-20 Thd.
9	120386	*Flatwasher, 5/16 In.
10	55521	Bracket, Battery, Hold-Down
11	271184	Nut, Keps, 5/16-18 Thd.
12	271172	Nut, Keps, 1/4-20 Thd.
13	40892	Cap, Battery
14	52936	Battery
15	126203	Carriage Bolt, 1/4-20 x 3/8 In.
16	126216	Carriage Bolt, 5/16-18 x 3/4 In.

Key No.	Part No.	Description
17	40234	Battery Rod
18	120368	Locknut, Hex, 5/16-24 Thd.
19	138485	*Washer, Shakeproof, 5/16 In.
20	121900	*Screw, Hex Hd, 1/4-20 x 1 In.
21	9424215	Locknut, Hex, 1/4-20 Thd.
22	53716	Solenoid
23	121753	*Washer, Shakeproof, 1/4 In.
24	45877	Nut (Lockout Switch Part)
25	45878	Lockwasher (Lockout Switch Part)
26	41204	Switch, Lockout
27	43038	Wire Assembly, Deck Switch
28	42071	Wire Assembly, By-Pass
29	49734	Bracket, Switch Mounting
30	9413447	Locknut, Hex, 5/16-18 Thd.
31		Engine Part
32	54888	Retainer, Wire