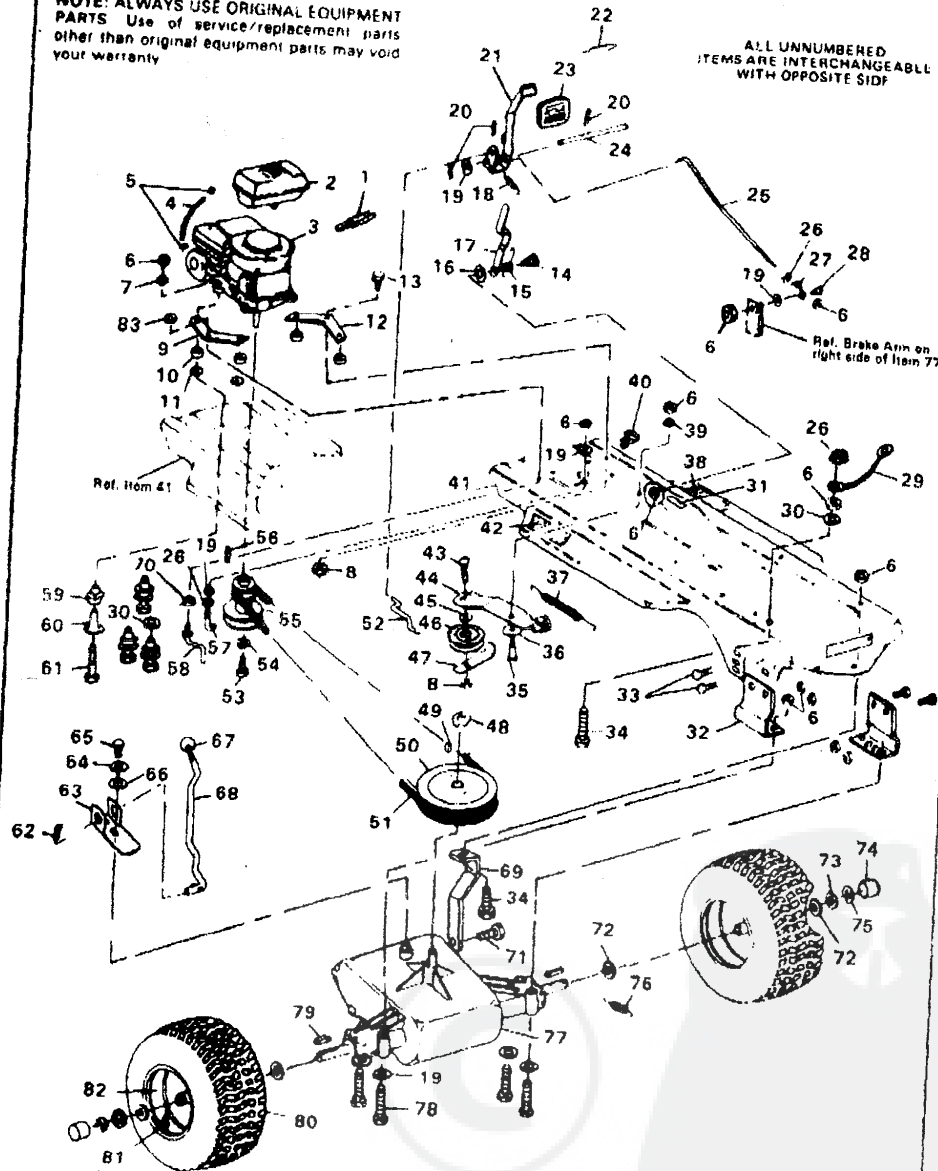


30" RIDING MOWER MODEL 3654-4000

NOTE: ALWAYS USE ORIGINAL EQUIPMENT PARTS Use of service/replacement parts other than original equipment parts may void your warranty

ALL UNNUMBERED ITEMS ARE INTERCHANGEABLE WITH OPPOSITE SIDE



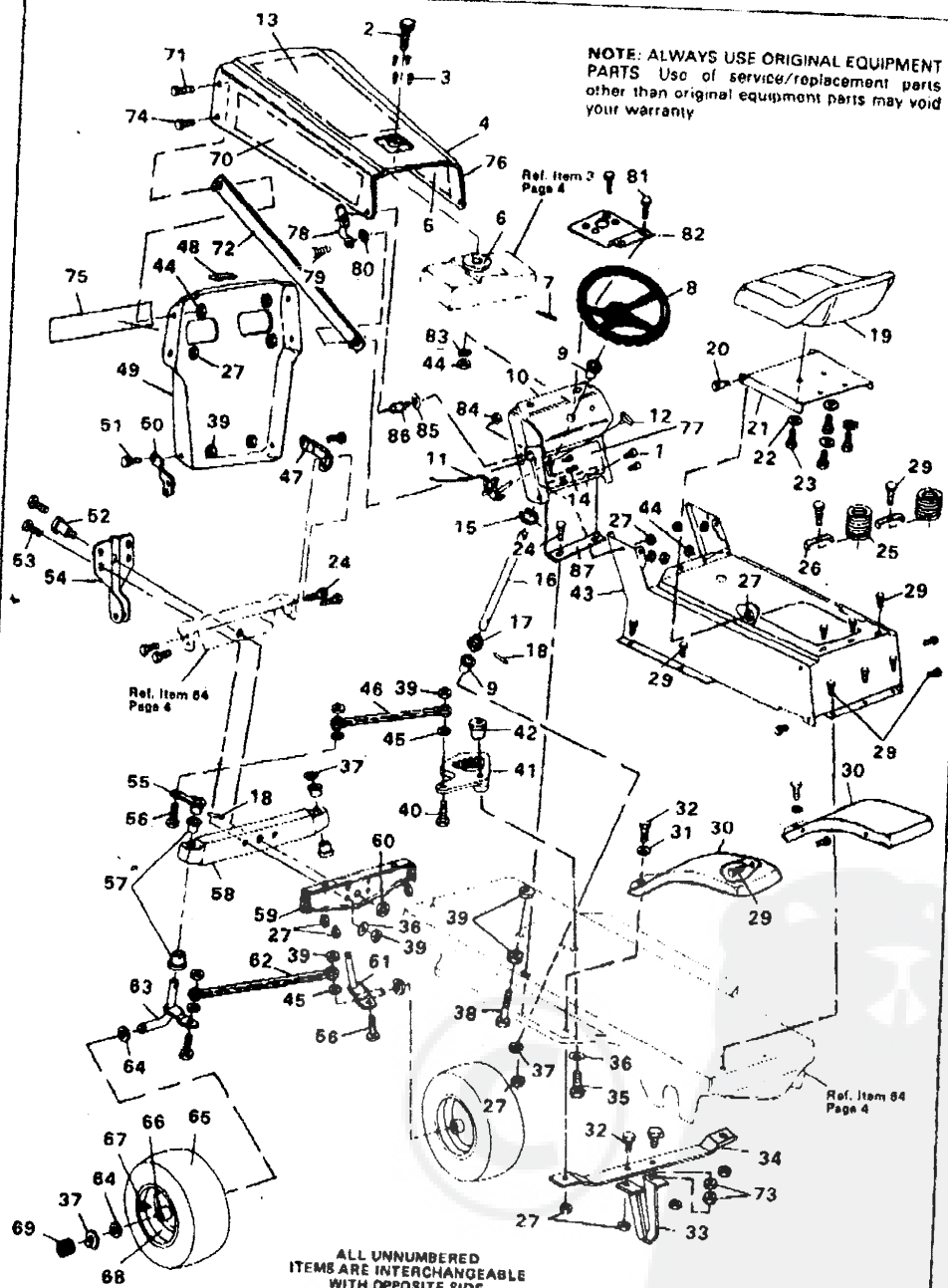
30" RIDING MOWER MODEL 3654-4000

ALWAYS GIVE THE FOLLOWING INFORMATION WHEN ORDERING REPAIR PARTS
 1. The PART NUMBER, 2. The PART NAME, 3. QUANTITY DESIRED, 4. The MODEL NUMBER (As shown on Model Plate)
 SEND PART ORDERS AS PER INSTRUCTIONS ON THE FRONT PAGE
 YOUR UNIT IS RIGHT HAND (RH) OR LEFT HAND (LH) AS YOU STAND BEHIND IT
 DO NOT USE KEY NUMBERS WHEN ORDERING REPAIR PARTS, ALWAYS USE PART NUMBERS
 All replacement parts will be supplied in current production colors or in a neutral color.
 A handling fee is applicable to small parts orders

Key No.	Part No.	Description	Key No.	Part No.	Description
1	54873	Trough, Oil Drain	42	54955	Foot Pad, Left
2	48812	Gas Tank	43	45892	Carriage Bolt, 3/16 x 1 1/2 In.
3	Engine	\$See Footnote Below	44	53782	Idler Arm
4	48049	Gas Line	45	274617	Flatwasher, 25/64 In.
5	41008	Clip, Gas Line	46	35374	Pulley, Idler
6	9413447	Locknut, Hex 5/16-18 Thd.	47	39889	Belt Retainer
7	120638	Lockwasher, Split, 5/16 In.	48	22053	Retaining Ring
8	9413534	Locknut, Hex, 3/8-16 Thd.	49	3021	Key, Woodruff, No. 606
9	43965	Vibration Bracket, L H	50	55520	Pulley, Transaxle
10	44015	Mount, Upper	51	54758	V-Belt
11	138542	Washer, Shakeproof	52	43980	Rod, Clutch
12	43954	Vibration Bracket, R H	53	123567	Screw, Hex Hd, 7/16-20 x 1 In.
13	180120	Screw, Hex Hd, 3/16 x 3/4 In.	54	120383	Lockwasher, Split, 7/16 In.
14	40874	Shoulder Bolt, Parking Brake	55	68595	Pulley, Engine
15	43968	Spring, Parking Brake	56	33200	Key, Engine Pulley
16	32327	Wave Washer	57	49896	Belt Guide, Trans. Drive Belt
17	50980	Arm, Parking Brake	58	56786	Belt Guide, Blade Drive
18	50662	Spring, Clutch Pedal	59	44018	Mount, Lower
19	120386	Flatwasher, 1/4 In.	60	42273	Sleeve
20	121222	Pin, Cotter, 3/32 x 3/4 In.	61	180112	Screw, Hex Hd, 5/16-18 x 2 3/4 In.
21	65722	Brake Pedal Assembly	62	137185	Pin, Cotter, 1/8 x 1 In.
22	55025	Retainer, Brake Pad	63	66256	Shift Bracket
23	53979	Rubber Pad, Brake Pedal	64	54669	Washer, 1/4 In.
24	43956	Shaft, Brake-Clutch Pedal	65	58265	Screw, Nylock, 1/4-28 x 3/4 In.
25	54715	Rod, Brake	66	50818	Washer, 1/2 In.
26	271184	Nut, Hex, Keps, 5/16-18 Thd	67	55514	Knob, Gear Shift
27	54723	Bracket, Brake Rod	68	55526	Shift Lever
28	20507	Shoulder Bolt	69	64713	Bracket, Stabilizer
29	55511	Ground Wire	70	271190	Nut, Hex, Keps, 3/8-16 Thd.
30	138486	Washer, Shakeproof	71	536498	Screw, Hex Wa. Tap, 5/16-18 x 3/4 In.
31	88903	Decal, Caution	72	642	Flatwasher
32	53768	Bracket, Axle	73	42815	Flatwasher
33	120228	Screw, Hex Hd, 5/16-18 x 3/4 In.	74	40394	Hub Cap
34	122017	Screw, hex Hd, 5/16-18 x 1 1/4 In.	75	36628	"E" Ring
35	41890	Shoulder Bolt	76	35410	Spring, Brake Return
36	4107	Washer	77	Transaxle	1 Peerless 4 speed Model 900
37	48276	Spring, Main Drive	78	122077	Screw, Hex Hd, 5/16-18 x 2 1/2 In.
38	54618	Foot Pad, Right	79	39628	Key, 3/16 x 3/16 x 2 1/2 In.
39	46602	Washer	80	42091	Tire
40	54888	Retainer, Wire	81	24167	Veive Stem
41	54749	Main Frame	82	36182	Wheel
			83	41529	Jam Nut, Hex

30" RIDING MOWER MODEL 3554-4000

NOTE: ALWAYS USE ORIGINAL EQUIPMENT PARTS Use of service/replacement parts other than original equipment parts may void your warranty



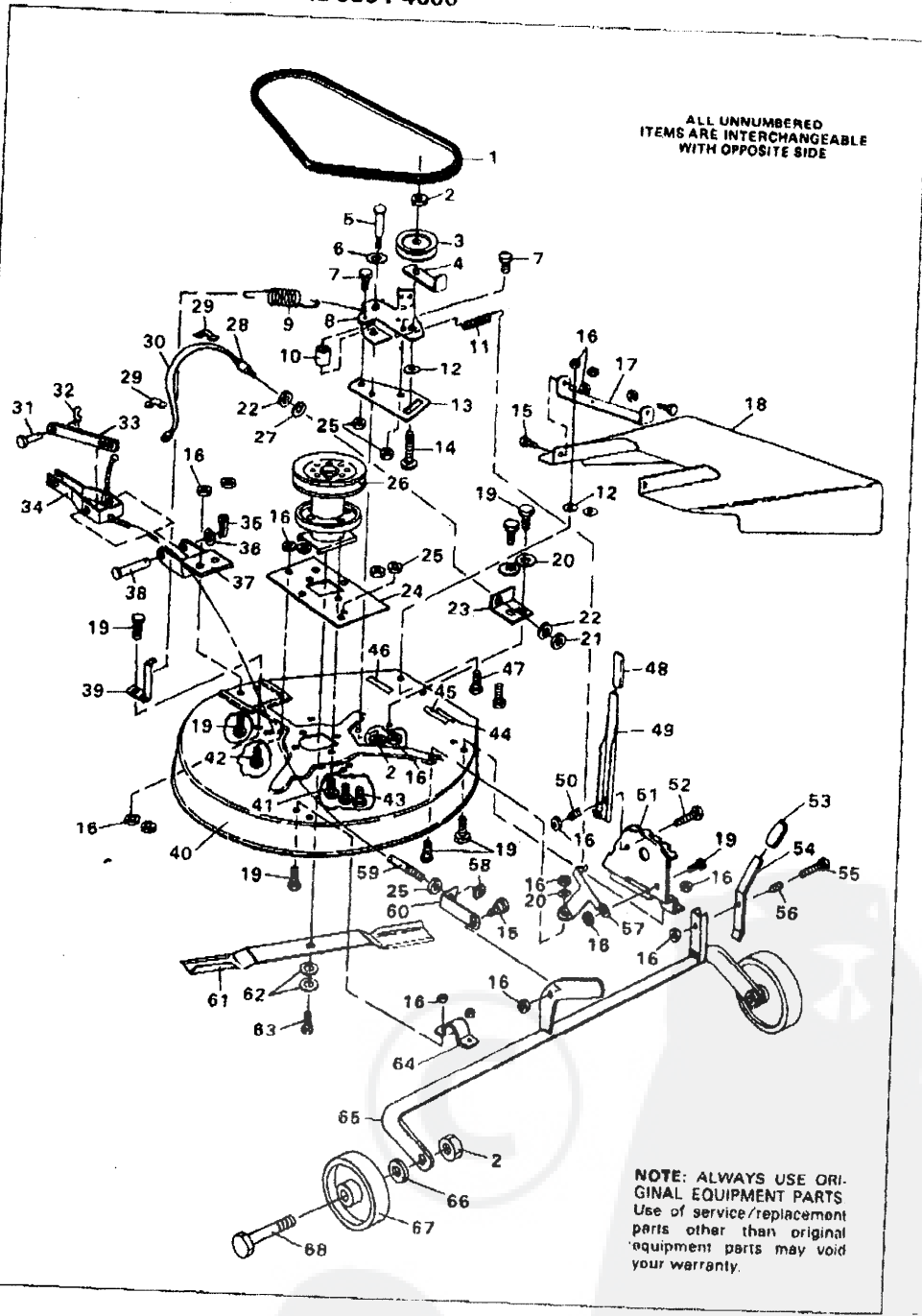
ALL UNNUMBERED
ITEMS ARE INTERCHANGEABLE
WITH OPPOSITE SIDE

30" RIDING MOWER MODEL 3554-4000

Key No.	Part No.	Description	Key No.	Part No.	Description
1	274672	Screw, Hex Hd, ¼-20 x ¾ In.	45	120382	*Lockwasher, Split, ⅜ In.
2	50988	Gas Gauge	46	55613	Drag Link Assembly
3	49050	Screw, Plastite, ¼-10 x ¾ In.	47	47852	Bracket, Grille Support, R.H.
4	52226	Hood	48	39887	Pad, Vibration
5	55934	Foam Pad, Hood, R.H.	49	52804	Grille
6	54885	Pad, Vibration	50	47851	Bracket, Grille Support, L.H.
7	466836	Spring Pin, ¼ x 2¼ In.	51	120233	*Screw, Hex Hd, ⅜-16 x 1 In.
8	55633	Steering Wheel	52	50720	Shoulder Bolt Axle Pivot
9	54902	Bearing, Steering	53	122201	*Screw, Hex Hd, ⅜-16 x 2¾ In.
10	55564	Dash Assembly	54	56261	Bracket, Deck Hanger
11	50117	Lever, Throttle Control	55	49447	Arm, Steering
12	39486	Knob, Throttle Control Lever	56	122146	*Screw, Hex Hd, ⅜-16 x 1¼ In.
13	55933	Foam Pad, Hood, Top	57	50546	Bearing, Spindle
14	35287	Screw, Taplite, No. 8-32 x ⅜ In.	58	56400	Front Axle Assembly
15	39492	Retaining Ring	59	58362	Bracket, Front Axle Support
16	44008	Shaft, Steering	60	274854	Locknut, Hex ¼-20 Thd.
17	44009	Pinion Gear	61	56870	Spindle, Right
18	454565	Roll Pin	62	55512	Tie Rod
19	52856	Seat	63	56869	Spindle, Left
20	20507	Shoulder Bolt	64	642	Flatwasher, ¾ In.
21	56198	Seat Bracket	65	41096	Tire
22	120638	*Lockwasher, Split, 5/16 In.	66	39978	Bearing
23	120834	*Screw, Hex Hd, 5/16-18 x 1½ In.	67	24167	Valve Stem
24	120228	*Screw, hex Hd, 5/16-18 x ⅝ In.	68	39937	Wheel w/Bearing
25	56220	Spring, Seat	69	40394	Hub Cap
26	56060	Clip, Seat Spring	70	55935	Foam Pad, Hood, L.H.
27	9413447	Locknut, Hex, 3/16-18 Thd.	71	121900	Screw, Hex Hd, ¼-20 x 1 In.
28	56235	Cover, Rear, Console	72	52230	Brace, Grille
29	995346	*Screw, Taplite, ¼-20 x ½ In.	73	120377	Nut, Hex, ⅜-16 Thd.
30	43970	Fender	74	29584	Shoulder Bolt
31	446383	*Flatwasher, 5/16 In.	75	53704	Metalcal
32	122017	*Screw, Hex Hd, 5/16-18 x 1 In.	76	55042	Edging Hood
33	44500	Bracket, Deck Guide	77	70112	Decal, Lower Dash
34	43854	Bracket, Deck Guide Support	78	65020	Hood Latch
35	39573	Screw, Hex Hd, Lock, ⅜-24 x 1 In.	79	8482	Shoulder Bolt
36	2483	Spring Washer	80	120394	Flatwasher
37	36625	"E" Ring	81	120854	Screw, Hex Hd, ¼-20 x ⅝ In.
38	56589	Upstop Bolt	82	55387	Support Bracket
39	9413634	Locknut, ⅜-16 Thd.	83	120386	Washer, 5/16 In.
40	120918	*Screw, Hex Hd, ⅜-16 x 1½ In.	84	45174	Locknut, Wide Flange, 5/16-18 Thd.
41	44010	Sector Gear	85	138538	Washer, Internal Lock
42	44011	Shoulder Bolt, Sector Gear	86	54419	Pin, Hood Latch
43	56226	Console Assembly	87	55537	Bulkhead, Console
44	9424215	Locknut, Hex, ¼-20 Thd.			

*Standard Hardware Items - May Be Purchased Locally.

30" RIDING MOWER MODEL 3554-4000

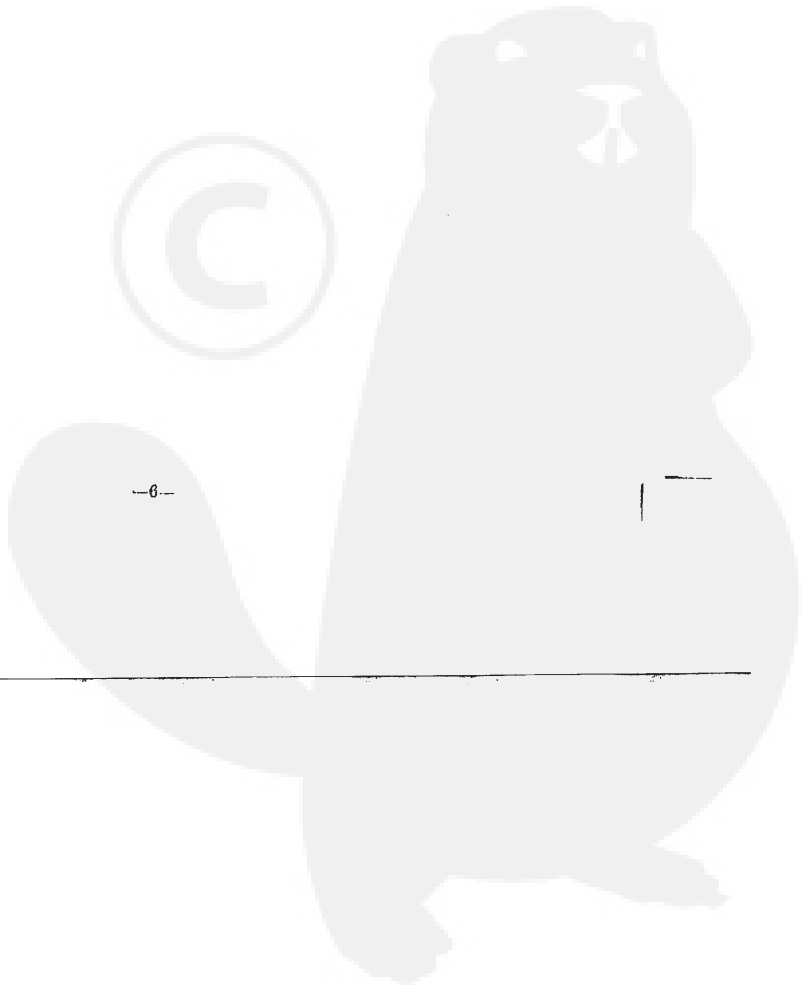
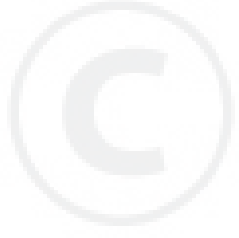


30" RIDING MOWER MODEL 3554-4000

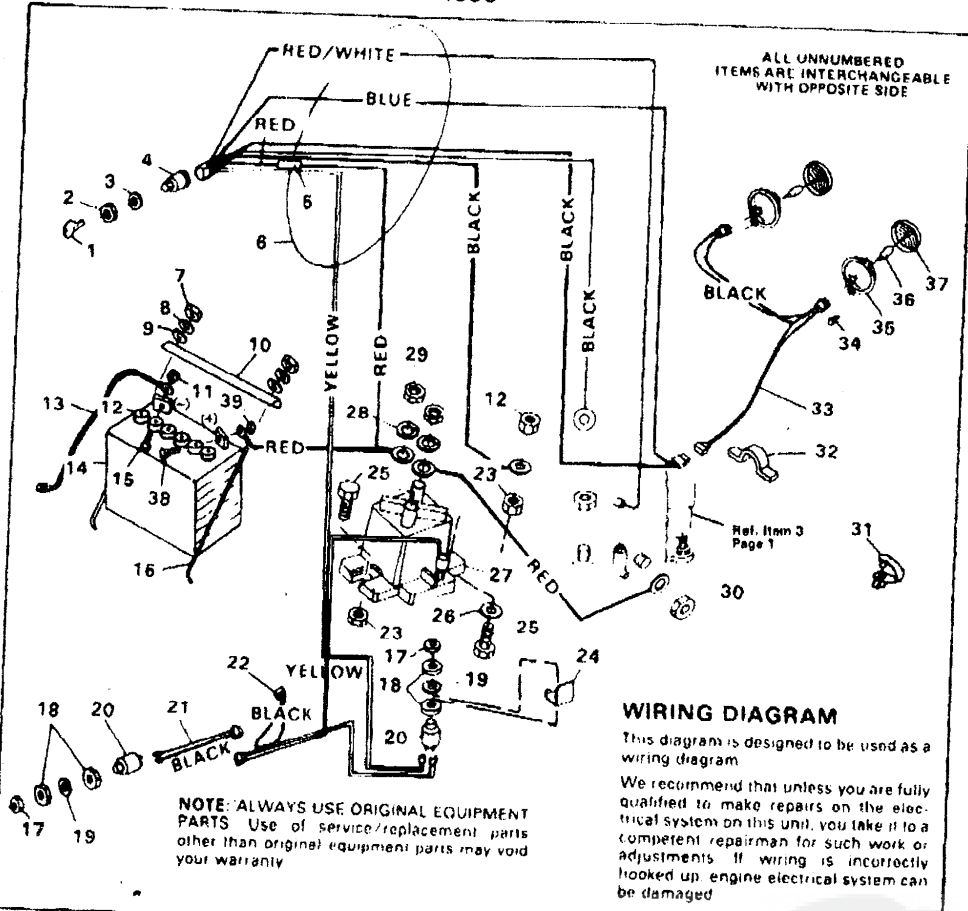
Key No.	Part No.	Description
1	56537	Belt
2	9413534	Locknut, 3/8-16 Thd.
3	39498	Pulley, Idler
4	43064	Belt Retainer
5	122184	Screw, Hex Hd, 3/8-16 x 2 1/2 In
6	996416	Flatwasher
7	120854	Screw, Hex Hd, 1/4-20 x 3/8 In.
8	56515	Arm Assembly, Idler
9	35410	Spring, Brake
10	56698	Spacer
11	56525	Spring
12	996307	Flatwasher
13	56519	Plate, Adjustment
14	47889	Carriage Bolt, 3/8-16 x 2 In.
15	6482	Shoulder Bolt
16	9413447	Locknut, hex, 5/16-18 Thd.
17	41212	Bracket, Chute Deflector
18	42860	Chute Deflector
19	120228	Screw, Hex Hd, 5/16-18 x 3/8 In.
20	996407	Flatwasher
21	56635	Nut, Hex
22	45877	Locknut
23	56516	Bracket, Safety Switch
24	56646	Plate, Stiffening
25	9424215	Locknut, hex, 1/4-20 Thd.
26	45498	Quill Assembly
27	45878	Lockwasher
28	41204	Switch, Safety
29	41482	Wire Clip, Press
30	48851	Wire Assembly, Safety Switch
31	47818	Pin
32	56180	Hairpin Cotter
33	56522	Hitch Bar
34	56524	Bracket, Pivot

Key No.	Part No.	Description
35	121224	Cotter Pin
36	996425	Flatwasher
37	56530	Bracket, Pivot
38	47817	Pin, Clevis
39	56448	Belt Guide
40	56603	Mower Deck
41	50834	Screw, Tapite, 5/16-18 x 3/4 In.
42	180077	Screw, Hex Hd, 5/16-18 x 3/4 In
43	180020	Screw, Hex Hd, 1/4-20 x 3/4 In.
44	68901	Decal, Height Adjust
45	68900	Decal, Blade Engage
46	68902	Decal, Warning
47	122017	Screw, Hex Hd, 5/16-18 x 1 In.
48	55213	Grip, Hand
49	53780	Rod, Clutch
50	29170	Spring
51	53782	Quadrant, Height Adjust
52	122040	Screw, Hex Hd, 5/16-18 x 1 1/2 In.
53	53995	Grip, Hand
54	56621	Lever, Height Adjust
55	120696	Screw, Hex Hd, 5/16-18 x 2 1/4 In.
56	53246	Spring
57	53781	Brace, Quadrant
58	120375	Nut, Square, 1/4-20 Thd.
59	66520	Lift Cable Assembly
60	58697	Clevis, Lift Cable
61	44847	Blade, 30 In.
62	2483	Spring Washer
63	39673	Screw, Hex Hd, 3/8-24 x 1 In.
64	56517	Support, Pivot Tube
65	56529	Pivot Tube Assembly
66	274517	Flatwasher
67	56386	Wheel
68	23783	Shoulder Bolt

23 - 56516
51 - 56528



30" RIDING MOWER MODEL 3554-4000



WIRING DIAGRAM

This diagram is designed to be used as a wiring diagram.

We recommend that unless you are fully qualified to make repairs on the electrical system on this unit, you take it to a competent repairman for such work or adjustments. If wiring is incorrectly hooked up, engine electrical system can be damaged.

Key No.	Part No.	Description	Key No.	Part No.	Description
1	49843	Key, Ignition	21	43038	Wire Assembly, Deck Switch
2	48140	Locknut (Switch Part)	22	42071	Wire Assembly, By-Pass
3	138657	Lockwasher (Switch Part)	23	9424215	Locknut, hex, 1/4-20 Thd.
4	62583	Switch, Ignition w/Keys	24	49734	Bracket, Switch Mounting
5	49211	Fuse	25	187745	Screw, Hex Hd, 1/4-20 x 3/4 In.
6	65528	Wire Harness Assembly	26	121753	Washer, Shakeproof, 1/4 In.
7	120375	Nut, Hex, 1/4-20 Thd.	27	63716	Solenoid
8	120380	Lockwasher, Split	28	138485	Washer, Shakeproof, 5/16 In.
9	120392	Flatwasher	29	120368	Locknut, Hex, 5/16-24 Thd.
10	66360	Bracket, Battery, Hold-Down	30		Engine Part
11	271172	Nut, Keps, 1/4-20 Thd.	31	54889	Retainer, Wire
12	40892	Cap, Battery	32	41482	Wire Clip, Press
13	55511	Ground Wire	33	56189	Lead Wire, Headlight
14	52936	Battery	34	60668	Screw, Hex Wa. Tap, No. 10-14 x 1/2 In.
15	126203	Carriage Bolt, 1/4-20 x 3/8 In.	35	52571	Bozel, Headlight
16	40234	Battery Rod	36	52572	Bulb, Headlight
17	56635	Nut, Hex	37	62570	Lens, Headlight
18	46877	Nut (Lockout Switch Part)	38	126216	Carriage Bolt, 5/16-18 x 3/4 In.
19	45878	Lockwasher (Lockout Switch Part)	39	271184	Nut, Keps, 5/16-18 Thd.
20	41204	Switch, Lockout			