

REPAIR PARTS MANUAL

10 H.P. LAWN TRACTOR

With 30" Mower Deck

MODEL 3554-7900

ONE YEAR LIMITED WARRANTY

For one (1) year from date of purchase by the first consumer for residential use (thirty (30) days commercial use), NOMA Outdoor Products Incorporated warrants that it will replace free of charge, including labor, any original part of any NOMA Outdoor Products Incorporated product found to be defective by any authorized Service Dealer or the factory, except the battery which is warranted for ninety (90) days from date of purchase.

This warranty does not cover engine, transmission, transaxle or differential (these items are covered by their manufacturer's own warranty). This warranty does not cover parts that have failed due to normal wear or parts that have failed subject to misuse or abuse. Transportation of the unit or part to and from an authorized Service Dealer or factory is the responsibility of the owner.

A step by step explanation as to what procedure should be followed for this Warranty is:

1. If a part becomes defective, contact the store where the unit was purchased for the name and address of the authorized Service Dealer nearest to you.
2. If you cannot locate an authorized Service Dealer, write Service Department of NOMA Outdoor Products Incorporated for the name and address of the authorized Service Dealer in your area or call the Service Department at 1-901-422-1690.
3. Return the defective product, along with proof of purchase to such authorized Service Dealer for replacement of any defective part where covered by this warranty.

There is no other express warranty. Implied warranties, including those of merchantability and fitness for a particular purpose are limited to one (1) year from date of purchase. Liability for incidental or consequential damages are excluded.

Some states do not allow limitations on how long an implied warranty lasts, so the above limitation may not apply to you. Some states do not allow the exclusion of incidental or consequential damages, so the above exclusion may not apply to you. This warranty gives you specific legal rights, and you may have other rights which vary from state to state.

NOMA Outdoor Products Incorporated **Caller 8000** **Jackson, TN 38308-8000**

UNIT PARTS AND SERVICE

This manual contains instructions for safety, assembly and maintenance. Read this manual carefully and completely so that you will know proper assembly, use and care of your unit. Also fill in and mail the registration card packed with the unit. For service other than covered in this manual, contact an authorized service dealer. A nationwide parts and service organization has been established to provide locally available parts and service. A list of authorized parts distributors has been included in this manual. When ordering repair parts, always give the following information: 1. The Part Name; 2. The Part Number; 3. The Quantity desired; 4. The Full (eight digit) Model Number of the unit. The model number will be found on a plate attached to the unit.



Look for this symbol. It means - ATTENTION! BECOME ALERT! A HAZARD TO OPERATOR, BYSTANDER, PROPERTY OR EQUIPMENT MAY EXIST.

NOMA Outdoor Products Incorporated
Caller 8000
Jackson, TN 38308-8000

Part No. 309289

2189

Price \$2.00

Printed in U.S.A.



OPERATIONAL PRECAUTIONS



THESE INSTRUCTIONS ARE FOR YOUR PROTECTION. PLEASE READ THEM CAREFULLY.

1. Know the controls and how to stop quickly. READ THIS OPERATOR'S MANUAL and instructions furnished with attachments.
2. Wear safety glasses or eye shields when assembling or operating riding mower.
3. Do not allow children to operate the machine. Do not allow adults to operate it without proper instruction.
4. Do not carry passengers. Do not mow when children and others are around. Disengage power to blade(s) or attachment(s) and stop the engine while others are in the vicinity of the mower.
5. Battery fluid (electrolyte) is an ACID and is extremely dangerous. Do not smoke while servicing the battery. Do not service the battery near a open flame or spark.
6. Handle gasoline with care, it is highly flammable.
 - A. Use approved gasoline container.
 - B. Never remove the fuel cap of, or add gasoline to, a running or hot engine, or an engine that has not been allowed to cool for several minutes after running. Never fill the tank indoors and always clean up spilled fuel immediately.
 - C. Do not smoke while filling fuel tank.
 - D. Do not run the engine indoors. Open doors if engine must be run in garage. Exhaust fumes contain CARBON MONOXIDE, an ODORLESS and DEADLY GAS.
7. Check fuel supply before each use allowing space for expansion as the heat of the engine and/ or sun can cause gasoline to expand.
8. Do not operate mower when barefooted. Always wear substantial footwear, preferably steel-toed shoes. Do not wear loose fitting clothing that could get caught in moving parts.
9. Clear the work area of objects (wire, rocks, etc.) which might be picked up and thrown. Check all controls for proper function.
10. Disengage all attachment clutches, shift to neutral, and set parking brake before attempting to start the engine (motor). When starting engine equipped with a pull starter, stand firm and make sure your feet are well away from the blade(s).
11. Disengage power to blade(s) or other attachment(s) and stop the engine (motor) before leaving the operator's position. Always dismount from the left side.
12. Disengage power to blade(s) or other attachment(s) and stop the engine (motor) before making any repairs or adjustments.
13. Disengage power to blade(s) or other attachment(s) when transporting or not in use.
14. Take all possible precautions when leaving the vehicle unattended, such as disengaging power to blade(s) or attachment(s), lower the attachment(s), setting the parking brake, stopping the engine (motor), and removing the key.
15. Do not stop or start suddenly when going uphill or downhill. Mow up and down the face of steep slopes; never across the face.
16. Reduce speed and exercise extreme caution on slopes and in sharp turns to prevent tipping or loss of control. Be especially cautious when changing direction on slopes.
17. Stay alert for holes, rocks, and roots in the terrain and other hidden hazards. Keep away from drop-off. Never operate your riding mower on wet or slippery grass or at a speed which could cause a skid. Exercise care when mowing around a fixed object to prevent the blade(s) from striking it. Never deliberately run over any foreign object.
18. Always disengage blade control lever before attempting to remove the mower from a hole or other obstruction.
19. Use care when pulling loads or using heavy equipment.
 - A. Use only approved drawbar hitch points.
 - B. Limit loads to those that you can safely control.
 - C. Do not turn sharply. Use care when backing.
 - D. Use counterweight(s), wheel weights or tire chains when suggested in attachment(s) instructions.
20. Watch for traffic when crossing or near roadways.
21. When using attachment(s), never direct discharge of material toward bystanders nor allow anyone near the vehicle while in operation.
22. Keep the vehicle and attachments in good operating condition, and keep safety devices in place and in working condition.
23. Keep all nuts, bolts, and screws tight to be sure the equipment is in safe working condition.
24. Never store the equipment with gasoline in the tank inside a building where fumes may reach an open flame or spark. Allow the engine to cool before storing in any enclosure.
25. To reduce fire hazard, keep the engine free of grass, leaves or excessive grease.
26. The vehicle and attachments should be stopped and inspected for damage after striking a foreign object, and the damage should be repaired before restarting and operating the equipment.
27. Do not change the engine governor settings or overspeed engine.
28. When using the vehicle with mower, proceed as follows:
 - A. Mow only in daylight or in good artificial light.
 - B. Never make a cutting height adjustment while the engine (motor) is running if the operator must dismount to do so.
 - C. Shut the engine (motor) off when removing the grass catcher or unclogging chute.
 - D. Check the blade mounting bolts for proper tightness at frequent intervals.
29. Under normal usage, the grass catcher bag material is subject to deterioration and wear. Check the bag frequently for deterioration and wear and replace worn bags. Check that replacement bags comply with the original manufacturer's recommendations or specifications.
30. Disengage power to mower before backing up. Do not mow in reverse unless absolutely necessary and then only after careful observation of the entire area behind the mower.

OWNER'S INFORMATION

Record the following information about your unit so that you will be able to provide it in case of loss or theft.

MODEL NUMBER: - (Enter complete 8 digit number from model plate on unit)

PURCHASE DATE: ___ / ___ / ___ CODE NO.: _____ SERIAL NO.: _____

DEALER'S NAME AND ADDRESS: _____

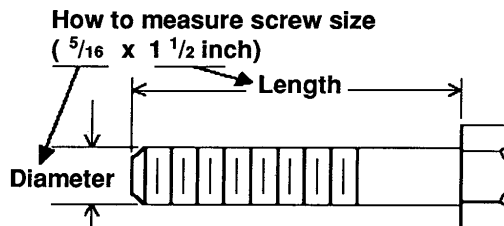
CITY: _____ STATE: _____ TELEPHONE: _____

CONTENTS OF SHIPPING CARTON

- 1 - Tractor (with 30 inch deck)
- 1 - Operator's Manual
- 1 - Repair Parts Manual
- 1 - Engine Manual
- 1 - Steering Wheel (with roll pin partially installed)
- 1 - Seat
- 1 - Chute Deflector
- 2 - $\frac{5}{16}$ - 18 x $\frac{1}{2}$ inch Hex Head Bolt
- 2 - $\frac{5}{16}$ - 18 inch Lock Nuts
- 1 - Battery
- 1 - Bag of Assembly Parts Containing:
 - 1 - Oil Drain Trough
 - 1 - Battery Hold-Down Bracket
 - 2 - Battery Hold-Down Rod
- 1 - Bag of Battery Hold-Down Parts Containing:
 - 2 - $\frac{9}{32}$ inch Flatwasher
 - 2 - $\frac{17}{64}$ inch Split Lockwasher
 - 2 - $\frac{1}{4}$ - 20 inch Hex Nut
- 1 - Bag of Battery Cable Installation Parts Containing:
 - 2 - $\frac{1}{4}$ - 20 x $\frac{5}{8}$ inch Hex Head Screws
 - 2 - $\frac{1}{4}$ - 20 inch Keps, Nuts (star washer attached)
- 1 - Bag of Seat Mounting Parts Containing:
 - 4 - $\frac{5}{16}$ - 18 x $\frac{3}{4}$ inch Hex Head Screws
 - 4 - $\frac{21}{64}$ inch Split Lockwashers
 - 4 - $\frac{11}{32}$ inch Flatwashers

TOOLS REQUIRED FOR ASSEMBLY

- 1 - $\frac{7}{16}$ inch Wrench (or adjustable wrench)
- 1 - $\frac{1}{2}$ inch Wrench (or adjustable wrench)
- 1 - $\frac{3}{4}$ inch Wrench (or adjustable wrench)
- 1 - Hammer



DANGER



This riding mower can be dangerous if carelessly used.

Read your Owner's Manual thoroughly before operating your riding mower.

Always wear safety glasses or eye shields while assembling or operating your riding mower.

DO NOT carry passengers at any time.

Keep your hands, feet, hair and loose clothing away from the discharge area, the underside of the mower deck or any moving parts while the engine is running.

DO NOT allow children or young teenagers to operate or be near your riding mower while it is operating.

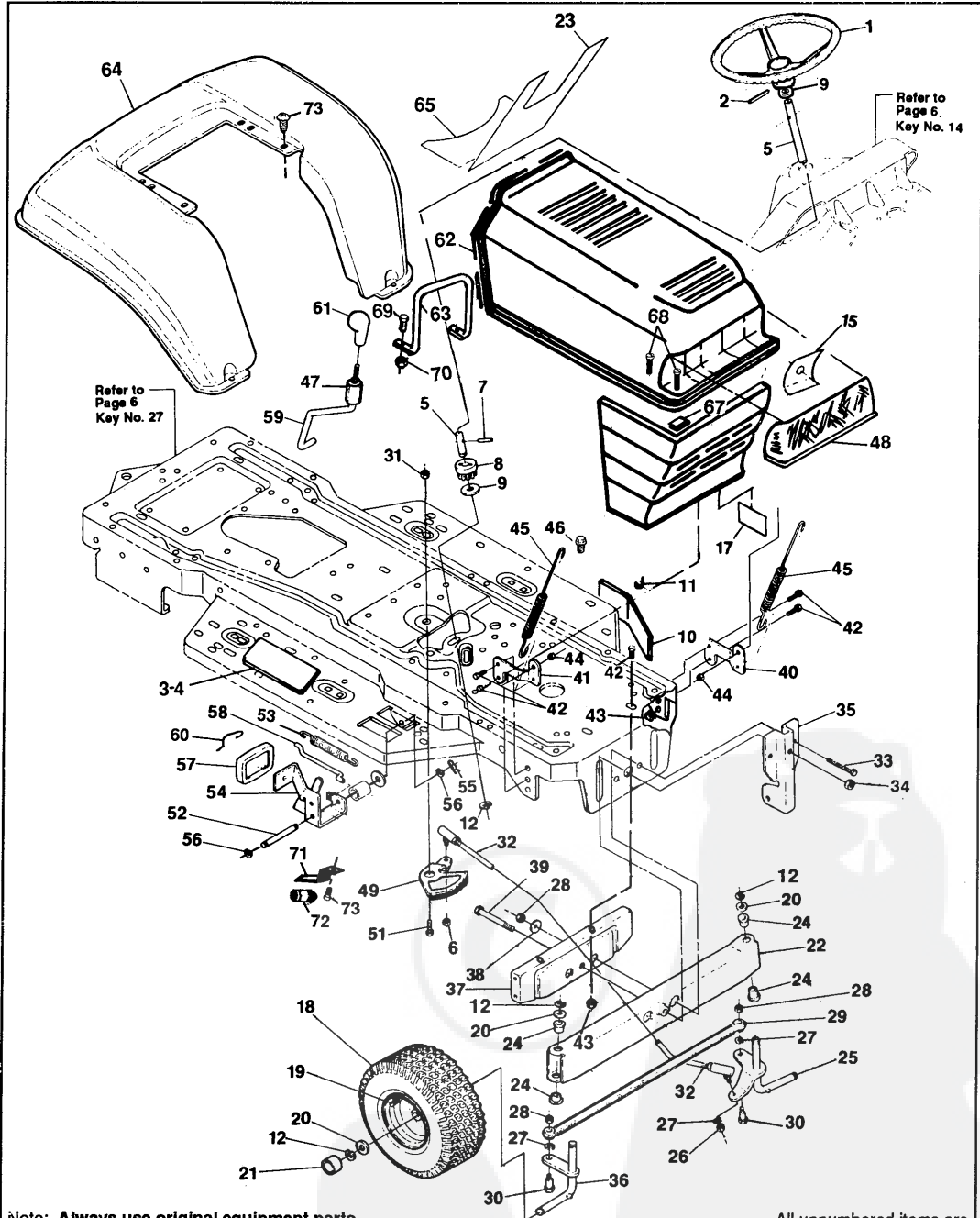
NOTICE

For packaging purposes, the knob may have been removed from the mower clutch lever and placed in the parts bag. Please screw the knob onto the mower clutch lever and tighten it securely.

For packaging purposes, the battery may have been installed on your unit. The battery must be removed from your machine to be serviced. See the **Battery Removal** paragraph in your **Operator's Manual** for removal instructions.

Repair Parts

30" Lawn Tractor Model 3554-7900



Refer to Page 6 Key No. 27

Refer to Page 6 Key No. 14

Note: Always use original equipment parts. Use of service/replacement parts other than the original equipment parts may void your warranty.

All unnumbered items are interchangeable with the opposite side.

30" Lawn Tractor Model 3554-7900

Always give the following information when ordering repair parts:

1. The **PART NUMBER**;
2. The **PART NAME**;
3. The **QUANTITY DESIRED**;
4. The **MODEL NUMBER** (As shown on Model Plate).

Send your part orders per the instructions on the front page.

To tell if a part is the left or right handed one, stand behind your mower.

Do not use the key numbers when ordering repair parts, **always use the part numbers.**

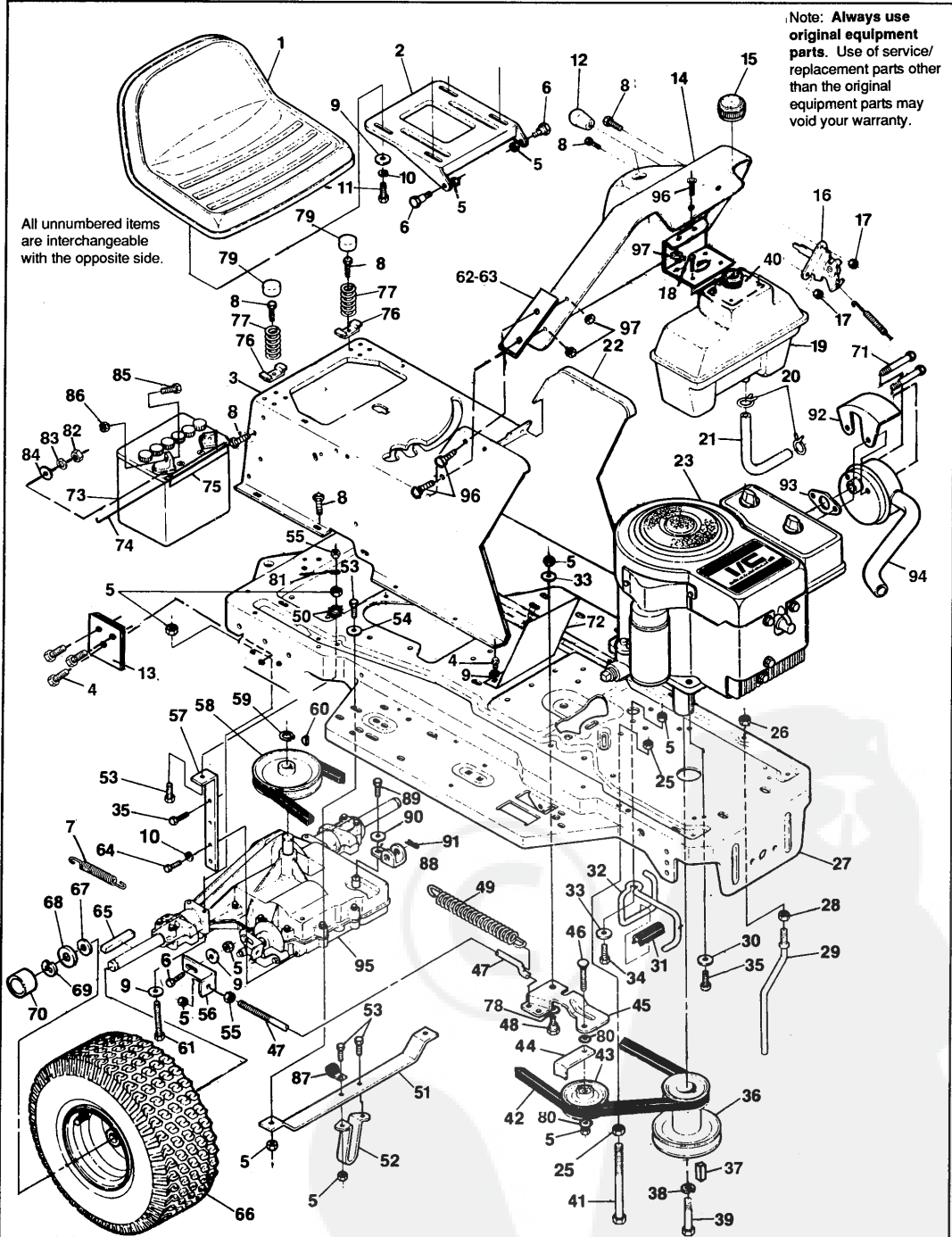
All replacement parts will be supplied in current production colors or in a neutral color.

A handling fee is applicable to small parts orders.

Key No.	Part No.	Description	Key No.	Part No.	Description
1	301251	Steering, wheel	49	304245	Steering Sector
2	456378	Spring Pin	50	307222	Grill
3	304033	Footpad, L.H.	51	44011	Shoulder Bolt
4	304032	Footpad, R.H.	52	302600	Brake Clutch Pedal Shaft
5	44008	Steering Shaft	53	50562	Spring, clutch pedal
6	46692	Nut, hex jam 3/8 - 24 Thd.	54	302603	Pedal Assembly
7	454656	Dowel pin	55	121222	Cotter Pin 3/32 x 3/4
8	44009	Steering Pinion	56	20864	Retaining ring
9	54902	Bearing, Steering (Upper & Lower)	57	53979	Rubber Brake Pedal Pad
10	305395	Belt guard, rubber, L.H. & R.H.	58	43980	Clutch Rod
11	306981	U-clip	59	302283	Shift Lever
12	36625	E-Ring	60	55024	Retainer 3"
13	307032	Hood	61	304438	Shift Knob
14	56676	Shoulder Bolt	62	302502	Rubber Pads Under Hood
15	304979	Reflector, decal	63	307278	Support, Dash Hood
16	305716	Headlamp Lens	64	7219	Fender
17	301452	Decal, Heat Reflector	65	301104	Decal, Shift caution
18	41059	Tire & Rim	66	302601	Spacer
19	24167	Valve Stem	67	9783	Tie Bracket, Hood
20	642	Washer	68	35055	Screw, Taptite #10 - 24 x 1/2 In.
21	40394	Hub Cap	69	301452	Screw, #10 - 24 x 1 in.
22	9766	Front Axle Assembly	70	997316	Nut, hex # 10 - 24 thd.
23	305917	Decal, dash	71	302610	Bracket, switch
24	50546	Spindle bearing	72	300220	Switch, brake-clutch pedal
25	302667	L.H. Spindle	73	995346	Screw, Taptite 1/4 - 20 x 1/2 In.
26	120369	Nut, Hex 3/8 - 24 Thd.	74	120393	Flatwasher
27	120382	Lockwasher, Split 3/8 In.			
28	1499	Nut, Hex Lock 3/8 - 16 Thd.			
29	302691	Tie Rod			
30	122145	Screw, Hex Lock 3/8 - 16 x 1-3/4 in.			
31	1500	Nut, hex lock 1/2 - 13 Thd.			
32	302689	Draglink			
33	122201	Screw, Hex Hd. 3/8 - 16 x 2-3/4 In.			
34	274654	Locknut, Hex Hd. 1/4 - 20 Thd.			
35	9140	Hanger Bracket			
36	302668	R.H. Spindle			
37	56362	Front Axle Support Bracket			
38	2483	Spring Washer			
39	50720	Shoulder bolt, hex head 1/2 - 20 x 2-7/8 in.			
40	305535	L.H. Grill Bracket			
41	305536	R.H. Grill Bracket			
42	56030	Screw, Hex Hd. Flange Lock 5/16 - 18 x 3/4 in.			
43	55273	Nut, Hex Flange Lock 5/16 - 18 Thd.			
44	1498	Locknut, hex head 5/16 - 18 Thd.			
45	57478	Extension Spring			
46	300302	Screw, plastite #10			
47	302245	Tube, plastic, shift lever			
48	307732	Decal, Center Lens			

Repair Parts

30" Lawn Tractor Model 3554-7900



30" Lawn Tractor Model 3554-7900

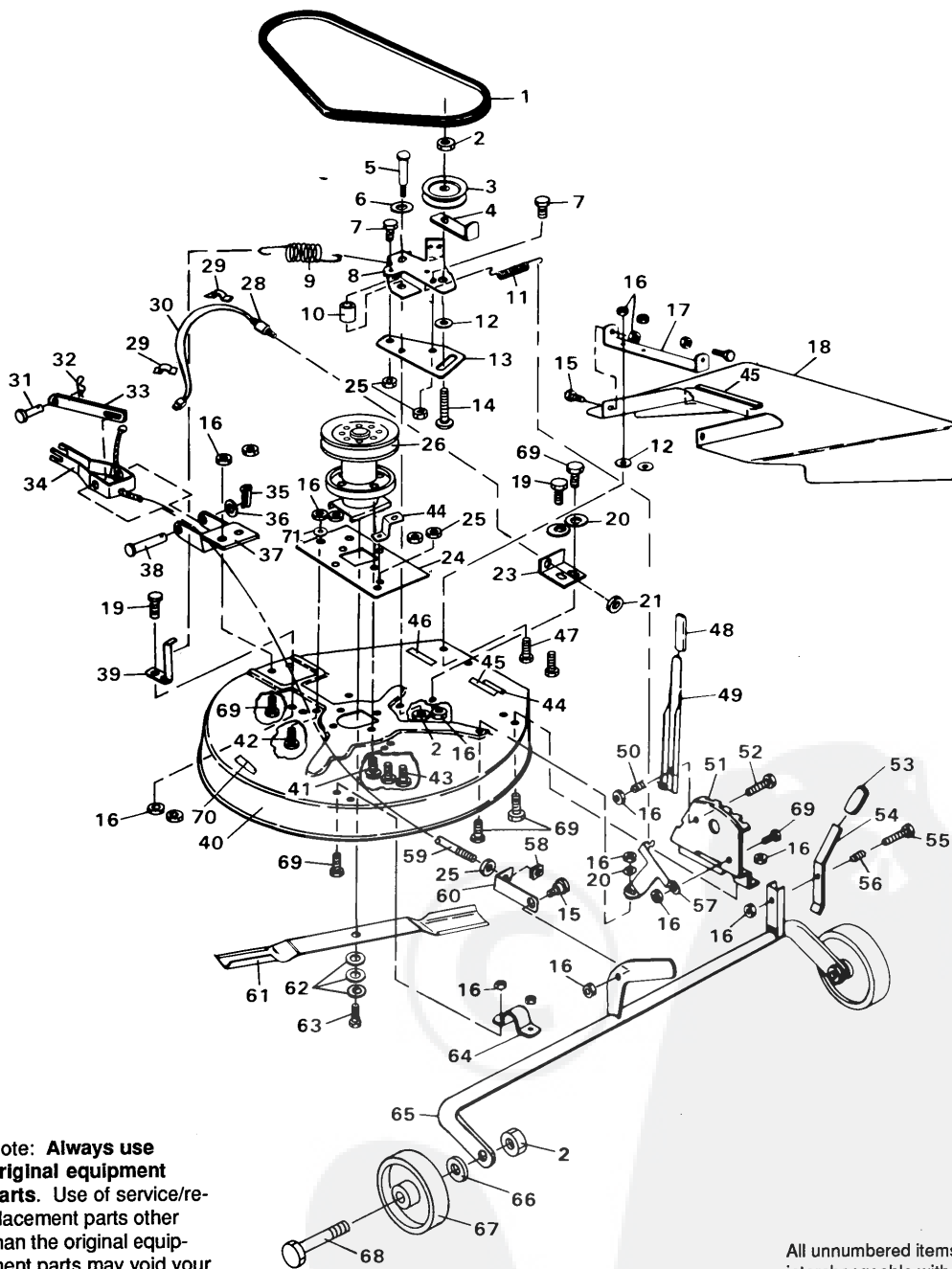
Key No.	Part No.	Description	Key No.	Part No.	Description
1	307661	Seat	61	180089	Screw, Hex Hd. 5/16 - 18 x 3/4 In.
2	304761	Seat Plate	62	302723	Dash, Insert, L.H.
3	8521	Console, rear cover	63	302724	Dash, Insert, R.H.
4	120228	Screw, 5/16 - 18 x 5/8 In.	64	35498	Screw, Hex Tap 5/16 - 18 x 3/4 In.
5	1498	Locknut, Hex 5/16 - 18 Thd.	65	39628	Key, Square 3/16 Sq. x 2-1/2 In.
6	20507	Shoulder Bolt	66	42090	Tire & rim
7	35410	Spring, brake return	67	642	Washer
8	995346	Screw, 1/4 - 20 x 1/2 In.	68	42815	Washer
9	120393	Washer, Flat	69	36625	E-Ring
10	120638	Lockwasher 5/16 in.	70	40394	Hub Cap
11	122007	Screw, 5/16 - 18 x 3/4 In.	71	173063	Screw, Hex Hd. 5/16 - 18 x 3-1/2 In.
12	300508	Knob, Round Black	72	8261	Bulkhead, console
13	7707	Axle bracket	73	302257	Battery
14	305700	Dashboard	74	40234	Battery rod
15	50988	Gas Cap	75	56360	Battery hold down rod
16	303159	Throttle Control	76	1341	Spring Clamp
17	271166	Nut, Keps No. 10-24 Thd.	77	56220	Seat Spring
18	49050	Screw, 1/4-10 Thd. x 3/4 In.	78	4107	Washer
19	302579	Gas Tank	79	302099	Seat Spring Cover
20	41008	Clamp, Gas Line	80	274517	Washer
21	47452	Gas Line	81	55511	Ground Wire
22	306959	Console	82	120375	Nut, Hex Keps 1/4 - 20 In.
23	300609	Engine	83	120380	Lockwasher, 1/4 Split
24	9774	Bracket, gas tank top	84	120392	Washer, Flat
25	1499	Locknut, 3/8 - 18 thd.	85	120854	Screw, Hex Hd. 1/4 - 20 Thd. x 3/4 In.
26	41529	Nut, Hex Ham 5/16 -thd.	86	271172	Nut, Hex Keps 1/4 - 20 Thd.
27	9791	Frame	87	57569	Wire retainer
28	271190	Nut, Hex Keps 3/8 - 16 Thd.	88	57480	Shift Bracket
29	56786	Belt Guide	89	56255	Screw, Hex Hd. Nylon 1/4 - 28 x 3/4 In.
30	138489	Starwasher	90	57157	Special Washer
31	303278	plastic extrusion	91	137185	Nut, Hex Keps 1/4 - 20 In.
32	58356	Belt/Drainlink guide	92	54767	Heat Shield
33	45602	Washer, Flat	93	46708	Muffler Gasket
34	180079	Screw, hex hd. 5/16 - 18 x 1 in.	94	305367	Muffler
35	50947	Screw, Hex Tap 3/8 - 16 Thd. x 1-1/4 In.	95	302968	^ Transaxle, 5 speed, P920
36	53681	Pulley Assembly, Engine	96	274672	Screw, Hex Hd. 1/4 - 20 Thd. x 5/8 In.
37	33200	Key	97	51335	Locknut 1/4 - 20 Wide Flange
38	120383	Lockwasher, Split Lock 7/8 In.	98	309289	Repair parts manual
39	123567	Screw, Hex Hd. 7/16 - 20 Thd. x 1 In.	99	306652	Operator's manual
40	54885	Pad, Top, Gas Tank			
41	49930	Screw, Hex Hd. 3/8 - 16 x 7-1/2 In.			
42	54758	V-Belt			
43	303031	Idler Pulley			
44	39659	Strap Belt Retainer			
45	1306	Idler Arm Bracker			
46	45892	Carriage Bolt			
47	54715	Brake Rod			
48	41898	Shoulder Bolt			
49	49276	Spring, main drive			
50	138485	Starwasher			
51	43964	Guide Support			
52	44500	Mower Deck Guide			
53	122017	Screw, Hex Hd. 5/16 - 18 x 1 In			
54	446363	Washer, Flat			
55	271184	Nut, Nex Keps 5/16 - 18 Thd.			
56	54723	Brake Rod Bracket			
57	56568	Stabilizer Bracket			
58	302745	Pulley			
59	22053	Retaining Ring			
60	3021	Woodruff Key			

Part No. 309289

(^) Contact Tecumseh/Peerless authorized service dealer for parts and warranty.
 (~) Contact engine manufacturer's authorized service dealer (see engine manual) for parts and warranty.

Repair Parts

30" Lawn Tractor Model 3554-7900



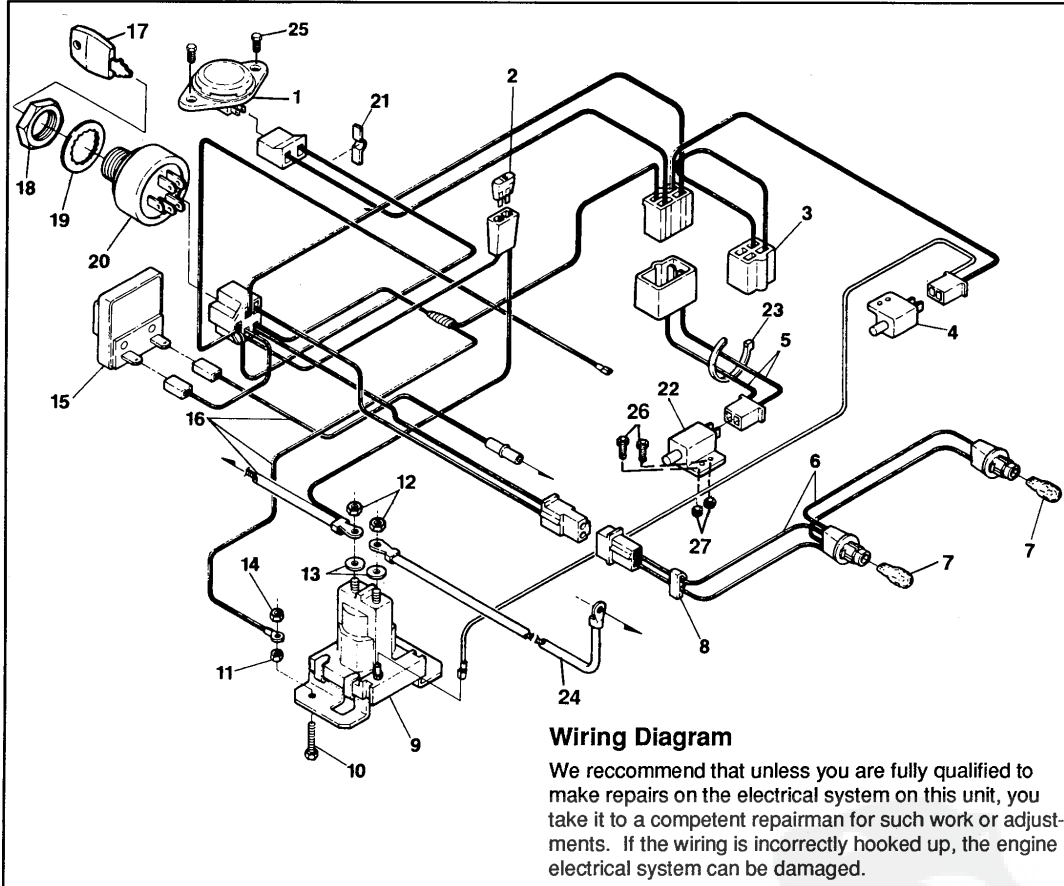
30" Lawn Tractor Model 3554-7900

Key No.	Part No.	Description	Key No.	Part No.	Description
1	56537	Belt	60	308113	Clevis, Lift Cable
2	1499	Locknut, 3/8 - 16 Thd.	61	44847	Blade, 30 In.
3	39498	Pulley, Idler	62	2483	Spring Washer
4	3382	Belt Retainer	63	39573	Screw, Hex Hd. 3/8 - 24 x 1 In.
5	122194	Screw, Hex Hd. 3/8 - 16 x 2-1/2 In.	64	56517	Support, Pivot Tube
6	996416	Flatwasher	65	304886	Pivot Tube Assembly
7	120854	Screw, Hex Hd, 1/4 - 20 x 5/8 In.	66	274517	Flatwasher
8	56515	Arm Assembly, Idler	67	56817	Wheel
9	35410	Spring, Brake	68	56380	Shoulder Bolt
10	56598	Spacer	69	120834	Screw, Hex Hd, 5/16 - 18 x 1/2 In.
11	304134	Spring	70	68901	Decal, blade height adjust & engage
12	996307	Flatwasher			
13	56519	Plate Adjustment			
14	47889	Carriage, Bolt, 3/8 - 16 x 2 In.			
15	8482	Shoulder Bolt			
16	1498	Locknut, Hex, 5/16 - 18 Thd.			
17	41212	Bracket, Chute Deflector			
18	307080	Chute Deflector			
19	120228	Screw, Hex Hd, 5/16 - 18 x 5/8 In.			
20	996407	Flatwasher			
21	56635	Nut, Hex			
22	45877	Locknut			
23	56516	Bracket, Safety Switch			
24	56645	Quill Support Plate			
25	1502	Locknut, Hex, 1/4 - 20 Thd.			
26	56842	Quill Assembly			
27	45878	Lockwasher			
28	41204	Switch, Safety			
29	41482	Wire Clip, Press			
30	48851	Wire Assembly, Safety Switch			
31	47816	Pull Pin			
32	56180	Hairpin Cotter			
33	308101	Hitch Bar			
34	308102	Bracket, Pivot			
35	121224	Cotter Pin			
36	996425	Flatwasher			
37	56530	Bracket, Pivot			
38	47817	Pin, Clevis			
39	308109	Belt Guide			
40	305789	Mower Deck			
41	180079	Screw, hex hd. 5/16 - 18 x 1 in.			
42	180077	Screw, Hex. Hd. 5/16 - 18 x 3/4 In.			
43	180020	Screw, Hex Hd. 1/4 - 20 x 3/4 In.			
43	122017	Screw, Hex Hd. 5/16 - 18 x 1 In.			
44	308111	Bracket, cable			
45	47453	Trim, Chute guard			
46	305770	Decal, warning			
47	122017	Screw, hex hd. 5/16 - 18 x 1 in.			
48	55213	Grip, Hand			
49	9126	Deck engage lever			
50	29170	Spring			
51	12559	Quadrant			
52	122040	Screw, Hex Hd, 5/16 - 18 x 2-1/4 In.			
53	53995	Grip, Hand			
54	308110	Lever, Height Adjust			
55	120696	Screw, Hex HD, 5/16 - 18 x 2-1/4 In.			
56	53246	Spring			
57	53781	Brace, Quadrant			
58	120375	Nut, Square, 1/4 - 20 Thd.			
59	56520	Lift Cable Assembly			

Part No. 309289

Repair Parts

30" Lawn Tractor Model 3554-7900

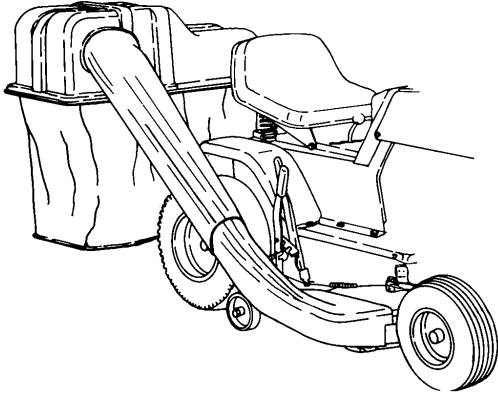


Key No.	Part No.	Description
1	57547	Seat Switch
2	302031	15 Amp Fuse
3	307253	Interlock bypass plug
4	300220	Brake-clutch switch
5	57588	Deck harness
6	303064	Headlight Harness
7	52572	Headlight Bulb
8	54888	Wire Retainer
9	53716	Solenoid
10	187745	Screw, Hex Hd. 1/4 - 20 x 3/4 In.
11	1502	Nut, 1/4 - 20 Thd.
12	120368	Nut, 5/16 - 24 Thd.
13	138485	Washer, Shakeproof
14	271172	Nut, Keps 1/4 - 20 Thd.
15	39463	Ammeter Guage
16	56349	Wire Harness
17	300626	Key, Ignition Switch

Key No.	Part No.	Description
18	48140	Nut, (Ignition Switch Part)
19	138557	Lockwasher (Ignition Switch Part)
20	300687	Switch, Ignition & Lights
21	41482	Press Clip
22	57476	Deck switch
23	57444	Wire Tie
24	55511	Ground Wire
25	160505	Screw, pan hd. 1/4 - 20 x 3/8 In.
26	159943	Screw, #10 - 24 x 5/8 in.
27	271166	Nut, Hex Keps No. 10 - 24 Thd.

Accessories

Contact the dealer where you purchased your tractor for available accessories or attachments. If you are unable to contact the dealer, write to the address on the front cover of this manual. Detailed mounting and operating instructions are included with each accessory.



REAR MOUNT GRASS CATCHER

For 30 inch Side Discharge Mower Decks. Includes special removable deck baffling, high lift blades and easy-on easy-off chute extension. Includes easy to dump twin grass collection containers, with 6 bushel capacity.