

REPAIR PARTS MANUAL

11 H.P. LAWN TRACTOR

With 32" Mower Deck

MODEL 3554-8100

ONE YEAR LIMITED WARRANTY

For one (1) year from date of purchase by the first consumer for residential use (thirty (30) days commercial use), NOMA Outdoor Products Incorporated warrants that it will replace free of charge, including labor, any original part of any NOMA Outdoor Products Incorporated product found to be defective by any authorized Service Dealer or the factory, except the battery which is warranted for ninety (90) days from date of purchase.

This warranty does not cover engine, transmission, transaxle or differential (these items are covered by their manufacturer's own warranty). This warranty does not cover parts that have failed due to normal wear or parts that have failed subject to misuse or abuse. Transportation of the unit or part to and from an authorized Service Dealer or factory is the responsibility of the owner.

A step by step explanation as to what procedure should be followed for this warranty is:

1. If a part becomes defective, contact the store where the unit was purchased for the name and address of the authorized Service Dealer nearest to you.
2. If you cannot locate an authorized Service Dealer, write Service Department of NOMA Outdoor Products Incorporated for the name and address of the authorized Service Dealer in your area or call the Service Department at 1-901-422-1690.
3. Return the defective product, along with proof of purchase to such authorized Service Dealer for replacement of any defective part where covered by this warranty.

There is no other express warranty. Implied warranties, including those of merchantability and fitness for a particular purpose are limited to one (1) year from date of purchase. Liability for incidental or consequential damages are excluded.

Some states do not allow limitations on how long an implied warranty lasts, so the above limitation may not apply to you. Some states do not allow the exclusion of incidental or consequential damages, so the above exclusion may not apply to you. This warranty gives you specific legal rights, and you may have other rights which vary from state to state.

NOMA Outdoor Products Incorporated

Caller 8000

Jackson, TN 38308-8000

UNIT PARTS AND SERVICE

This manual contains instructions for safety, assembly and maintenance. Read this manual carefully and completely so that you will know proper assembly, use and care of your unit. Also fill in and mail the registration card packed with the unit. For service other than covered in this manual, contact an authorized service dealer. A nationwide parts and service organization has been established to provide locally available parts and service. A list of authorized parts distributors has been included in this manual. When ordering repair parts, always give the following information: 1. The Part Name; 2. The Part Number; 3. The Quantity desired; 4. The Full (eight digit) Model Number of the unit. The model number will be found on a plate attached to the unit.



Look for this symbol. It means - ATTENTION! BECOME ALERT! A HAZARD TO OPERATOR, BYSTANDER, PROPERTY OR EQUIPMENT MAY EXIST.

NOMA Outdoor Products Incorporated
Caller 8000
Jackson, TN 38308-8000

Part No. 309319

2889

Price \$2.00

Printed in U.S.A.



OPERATIONAL PRECAUTIONS

THESE INSTRUCTIONS ARE FOR YOUR PROTECTION. PLEASE READ THEM CAREFULLY.



1. Know the controls and how to stop quickly. **READ THIS OPERATOR'S MANUAL** and instructions furnished with attachments.
2. Wear safety glasses or eye shields when assembling or operating riding mower.
3. Do not allow children to operate the machine. Do not allow adults to operate it without proper instruction.
4. Do not carry passengers. Do not mow when children and others are around. Disengage power to blade(s) or attachment(s) and stop the engine while others are in the vicinity of the mower.
5. Battery fluid (electrolyte) is an **ACID** and is extremely dangerous. Do not smoke while servicing the battery. Do not service the battery near a open flame or spark.
6. Handle gasoline with care, it is highly flammable.
 - A. Use approved gasoline container.
 - B. Never remove the fuel cap of, or add gasoline to, a running or hot engine, or an engine that has not been allowed to cool for several minutes after running. Never fill the tank indoors and always clean up spilled fuel immediately.
 - C. Do not smoke while filling fuel tank.
 - D. Do not run the engine indoors. Open doors if engine must be run in garage. Exhaust fumes contain **CARBON MONOXIDE**, an **ODORLESS** and **DEADLY GAS**.
7. Check fuel supply before each use allowing space for expansion as the heat of the engine and/or sun can cause gasoline to expand.
8. Do not operate mower when barefooted. Always wear substantial footwear, preferably steel-toed shoes. Do not wear loose fitting clothing that could get caught in moving parts.
9. Clear the work area of objects (wire, rocks, etc.) which might be picked up and thrown. Check all controls for proper function.
10. Disengage all attachment clutches, shift to neutral, and set parking brake before attempting to start the engine (motor). When starting engine equipped with a pull starter, stand firm and make sure your feet are well away from the blade(s).
11. Disengage power to blade(s) or other attachments(s) and stop the engine (motor) before leaving the operator's position. Always dismount from the left side.
12. Disengage power to blade(s) or other attachment(s) and stop the engine (motor) before making any repairs or adjustments.
13. Disengage power to blade(s) or other attachment(s) when transporting or not in use.
14. Take all possible precautions when leaving the vehicle unattended, such as disengaging power to blade(s) or attachment(s), lower the attachment(s), setting the parking brake, stopping the engine (motor), and removing the key.
15. Do not stop or start suddenly when going uphill or downhill. Mow up and down the face of steep slopes; never across the face.
16. Reduce speed and exercise extreme caution on slopes and in sharp turns to prevent tipping or loss of control. Be especially cautious when changing direction on slopes.
17. Stay alert for holes, rocks, and roots in the terrain and other hidden hazards. Keep away from drop-off. Never operate your riding mower on wet or slippery grass or at a speed which could cause a skid. Exercise care when mowing around a fixed object to prevent the blade(s) from striking it. Never deliberately run over any foreign object.
18. Always disengage blade control lever before attempting to remove the mower from a hole or other obstruction.
19. Use care when pulling loads or using heavy equipment.
 - A. Use only approved drawbar hitch points.
 - B. Limit loads to those that you can safely control.
 - C. Do not turn sharply. Use care when backing.
 - D. Use counterweight(s), wheel weights or tire chains when suggested in attachment(s) instructions.
20. Watch for traffic when crossing or near roadways.
21. When using attachment(s), never direct discharge of material toward bystanders nor allow anyone near the vehicle while in operation.
22. Keep the vehicle and attachments in good operating condition, and keep safety devices in place and in working condition.
23. Keep all nuts, bolts, and screws tight to be sure the equipment is in safe working condition.
24. Never store the equipment with gasoline in the tank inside a building where fumes may reach an open flame or spark. Allow the engine to cool before storing in any enclosure.
25. To reduce fire hazard, keep the engine free of grass, leaves or excessive grease.
26. The vehicle and attachments should be stopped and inspected for damage after striking a foreign object, and the damage should be repaired before restarting and operating the equipment.
27. Do not change the engine governor settings or overspeed engine.
28. When using the vehicle with mower, proceed as follows:
 - A. Mow only in daylight or in good artificial light.
 - B. Never make a cutting height adjustment while the engine (motor) is running if the operator must dismount to do so.
 - C. Shut the engine (motor) off when removing the grass catcher or unclogging chute.
 - D. Check the blade mounting bolts for proper tightness at frequent intervals.
29. Under normal usage, the grass catcher bag material is subject to deterioration and wear. Check the bag frequently for deterioration and wear and replace worn bags. Check that replacement bags comply with the original manufacturer's recommendations or specifications.
30. Disengage power to mower before backing up. Do not mow in reverse unless absolutely necessary and then only after careful observation of the entire area behind the mower.

OWNER'S INFORMATION

Record the following information about your unit so that you will be able to provide it in case of loss or theft.

MODEL NUMBER: - (Enter complete 8 digit number from model plate on unit)

PURCHASE DATE: ___ / ___ / ___ CODE NO.: _____ SERIAL NO.: _____

DEALER'S NAME AND ADDRESS: _____

CITY: _____ STATE: _____ TELEPHONE: _____

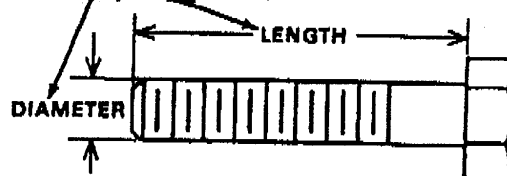
CONTENTS OF SHIPPING CARTON

- 1 - Tractor (with 32 inch deck)
- 1 - Operator's Manual
- 1 - Repair Parts Manual
- 1 - Engine Manual
- 1 - Steering Wheel (with roll pin partially installed)
- 1 - Seat
- 1 - Battery
- 1 - Battery Acid Pack
- 1 - Bag of Assembly Parts Containing:
 - 1 - Oil Drain Trough
 - 1 - Battery Hold-Down Bracket
 - 1 - Battery Hold-Down Rod
 - 1 - Bag of Battery Hold-Down Parts Containing:
 - 1 - $\frac{9}{32}$ inch Flatwasher
 - 1 - $\frac{1}{4}$ inch Split Lockwasher
 - 1 - $\frac{1}{4}$ - 20 inch Hex Nut
 - 1 - Bag of Battery Cable Installation Parts Containing:
 - 2 - $\frac{1}{4}$ - 20 x $\frac{9}{16}$ inch Hex Head Screws
 - 2 - $\frac{1}{4}$ inch Keps, Nuts (Star Washer attached)
 - 1 - Bag of Seat Mounting Parts Containing:
 - 4 - $\frac{5}{16}$ - 18 x $\frac{3}{4}$ inch Hex Head Screws
 - 4 - $\frac{5}{16}$ inch Split Lockwashers
 - 4 - $\frac{11}{32}$ inch Flatwashers

TOOLS REQUIRED FOR ASSEMBLY

- 1 - $\frac{7}{16}$ inch Wrench (or adjustable wrench)
- 1 - $\frac{1}{2}$ inch Wrench (or adjustable wrench)
- 1 - Hammer

HOW TO MEASURE SCREW SIZE ($\frac{5}{16}$ x $1\frac{1}{2}$ INCH)



DANGER



This riding mower can be dangerous if carelessly used.

Read your Owner's Manual thoroughly before operating your riding mower.

Always wear safety glasses or eye shields while assembling or operating your riding mower.

DO NOT carry passengers at any time.

Keep your hands, feet, hair and loose clothing away from the discharge area, the underside of the mower deck or any moving parts while the engine is running.

DO NOT allow children or young teenagers to operate or be near your riding mower while it is operating.

NOTICE

For packaging purposes, the knob may have been removed from the mower clutch lever and placed in the parts bag. Please screw the knob onto the mower clutch lever and tighten it securely.

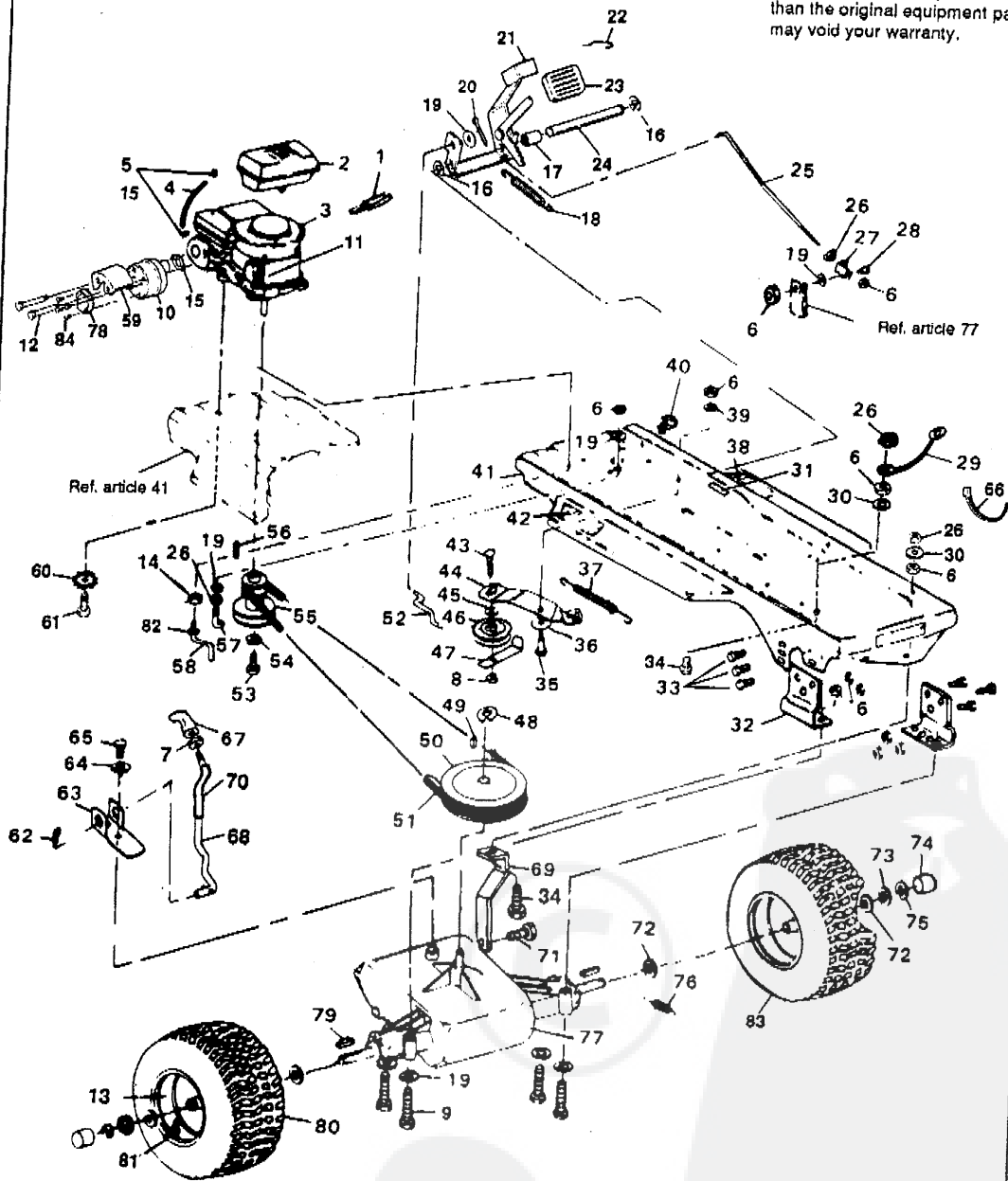
For packaging purposes, the battery may have been installed on your unit. The battery must be removed from your machine to be serviced. See the Battery Removal paragraph in your Operator's Manual for removal instructions.

Repair Parts

32" Lawn Tractor Model 3554-8100

All unnumbered items are interchangeable with the opposite side.

Note: Always use original equipment parts. Use of service/replacement parts other than the original equipment parts may void your warranty.



32" Lawn Tractor Model 3554-8100

Always give the following information when ordering repair parts:

1. The **PART NUMBER**;
2. The **PART NAME**;
3. The **QUANTITY DESIRED**;
4. The **MODEL NUMBER** (As shown on Model Plate).

Send your part orders per the instructions on the front page.

To tell if a part is the left or right handed one, stand behind your mower.

Do not use the key numbers when ordering repair parts, **always use the part numbers.**

All replacement parts will be supplied in current production colors or in a neutral color.

A handling fee is applicable to small parts orders.

Key No.	Part No.	Description	Key No.	Part No.	Description
1	54873	Trough, Oil Drain	47	39659	Belt Retainer
2	302579	Gas Tank	48	22053	Retaining Ring
3	Engine	See Footnote Below	49	3021	Key, Woodruff, #606
4	47452	Gas Line	50	302745	Pulley, Transaxle
5	41008	Clip, Gas Line	51	54758	V-Belt
6	1498	Locknut, Hex 5/16-18 Thd.	52	43980	Rod, Clutch
7	120238	Lockwasher, Split 5/16 In.	53	123567	Screw, Hex Hd 7/16-20 x 1 In.
8	1499	Locknut, Hex 3/8-16 Thd.	54	120383	Lockwasher, Split 7/16 In.
9	180089	Screw, Hex Hd 5/16-18 x 2-1/4 In.	55	53681	Pulley, Engine
10	57908	Muffler	56	33200	Key, Engine Pulley
11	302967	Speed Reducer	57	49896	Belt Guide, Trans. Drive Belt
12	173063	Bolt, 5/16-18	58	50653	Belt Guide, Blade Drive
13	36182	Wheel	59	54767	Heat Shield, Muffler
14	271190	Nut, Keps 3/8-18 Thd.	60	138489	Starwasher
15	46708	Gasket, Muffler	61	50947	Screw, Top, 3/8 - 16 x 1-1/4 In.
16	20864	"E" Ring	62	137185	Pin, Cotter 1/8 x 1 In.
17	302601	Spacer	63	12616	Shift Bracket
18	50562	Spring, Clutch Pedal	64	57157	Washer
19	120393	Flatwasher, 5/16 In.	65	56255	Screw, Nylock, 1/4-28 x 3/4 In.
20	121222	Pin, Cotter 3/32 x 3/4 In.	66	57444	Wire Tie
21	302603	Brake Pedal Assembly	67	304438	Knob, Gear Shift
22	55024	Retainer, Brake Pad	68	302283	Shift Lever
23	53979	Rubber Pad, Brake Pedal	69	54713	Bracket, Stabilizer
24	302600	Shaft, Brake-Clutch Pedal	70	302445	Tube, Clear Plastic
25	54715	Rod, Brake	71	35498	Screw, Hex Wa. Tap 5/16-18 x 3/4 In.
26	271184	Nut, Hex Keps 5/16-18 Thd.	72	642	Flatwasher
27	54723	Bracket, Brake Rod	73	42815	Flatwasher
28	20507	Shoulder Bolt	74	40394	Hub Cap
29	55511	Ground Wire	75	36625	"E" Ring
30	138485	Washer, Shakeproof	76	35410	Spring, Brake Return
31	68903	Decal, Caution	77	Transaxle	Peerless 3 Speed Model 900
32	7707	Bracket, Axle	78	56472	Deflector, Side Out
33	120228	Screw, Hex Hd 5/8-18 x 5/8 In.	79	39628	Key, 3/16 x 3/16 x 2-1/2 In.
34	122017	Screw, Hex Hd 5/16-18 x 1-1/4 In.	80	42091	Tire
35	41890	Shoulder Bolt	81	24167	Valve Stem
36	4107	Washer	82	41529	Jam Nut, 3/8-16
37	49278	Spring, Main Drive	83	42090	Wheel Assembly
38	304032	Foot Pad, Right	84	35287	Screw, Hex Wa Tap #8-32 x 3/8 In.
39	45602	Washer	85	307127	Operator's Manual (Not Illustrated)
40	54888	Retainer, Wire	86	309319	Parts Manual (Not Illustrated)
41	9753	Main Frame			
42	304033	Foot Pad, Left			
43	45892	Carriage Bolt, 3/8-16 x 1-1/2 In.			
44	1306	Idler Arm			
45	274517	Flatwasher, 25/64 In.			
46	303031	Pulley, Idler			

(*) Standard hardware items - may be purchased locally.

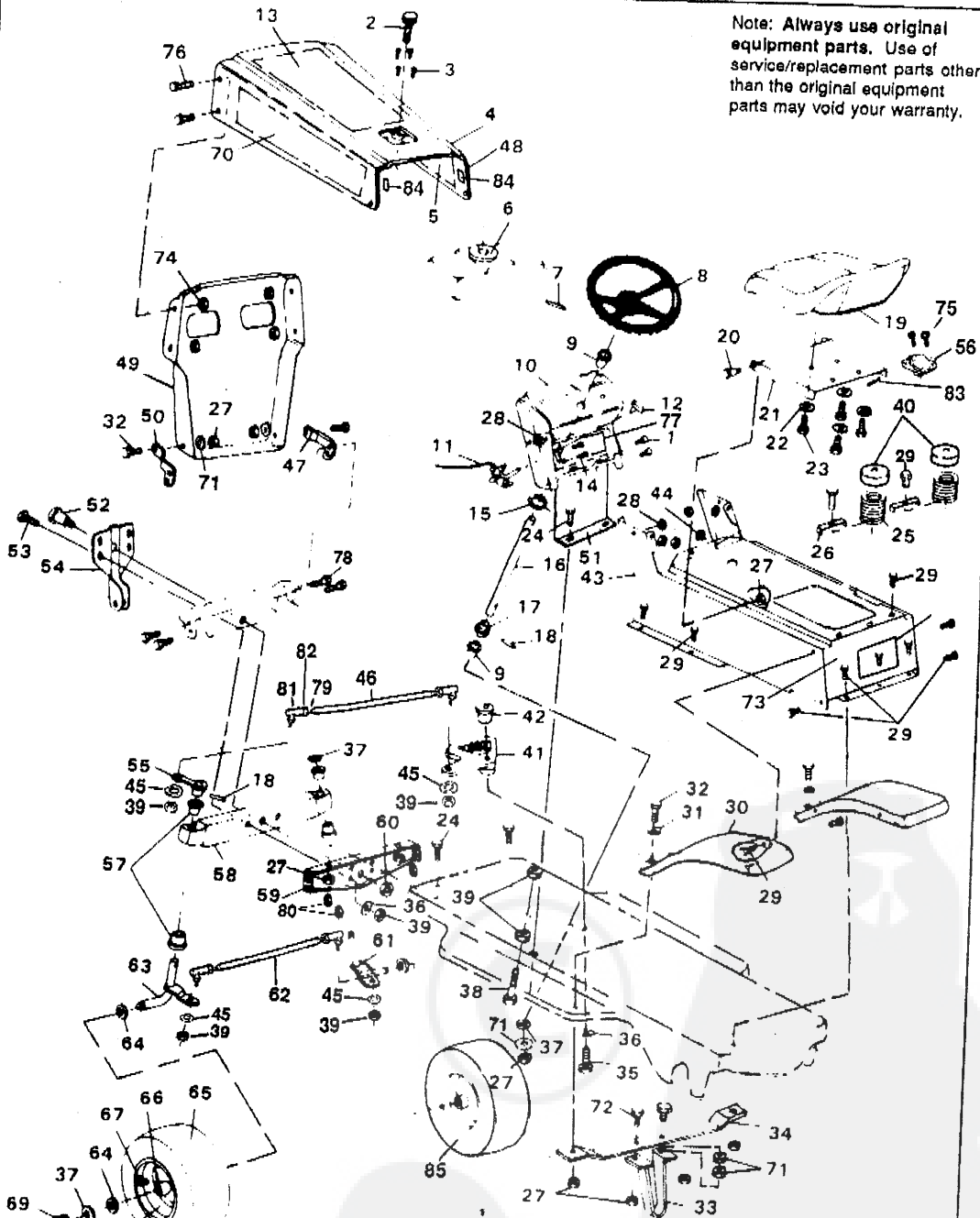
(^) Contact Tecumseh/Peerless authorized service dealer for parts and warranty.

(~) Contact engine manufacturer's authorized service dealer (see engine manual) for parts and warranty.

Repair Parts

32" Lawn Tractor Model 3554-8100

Note: Always use original equipment parts. Use of service/replacement parts other than the original equipment parts may void your warranty.



All unnumbered items are interchangeable with the opposite side.

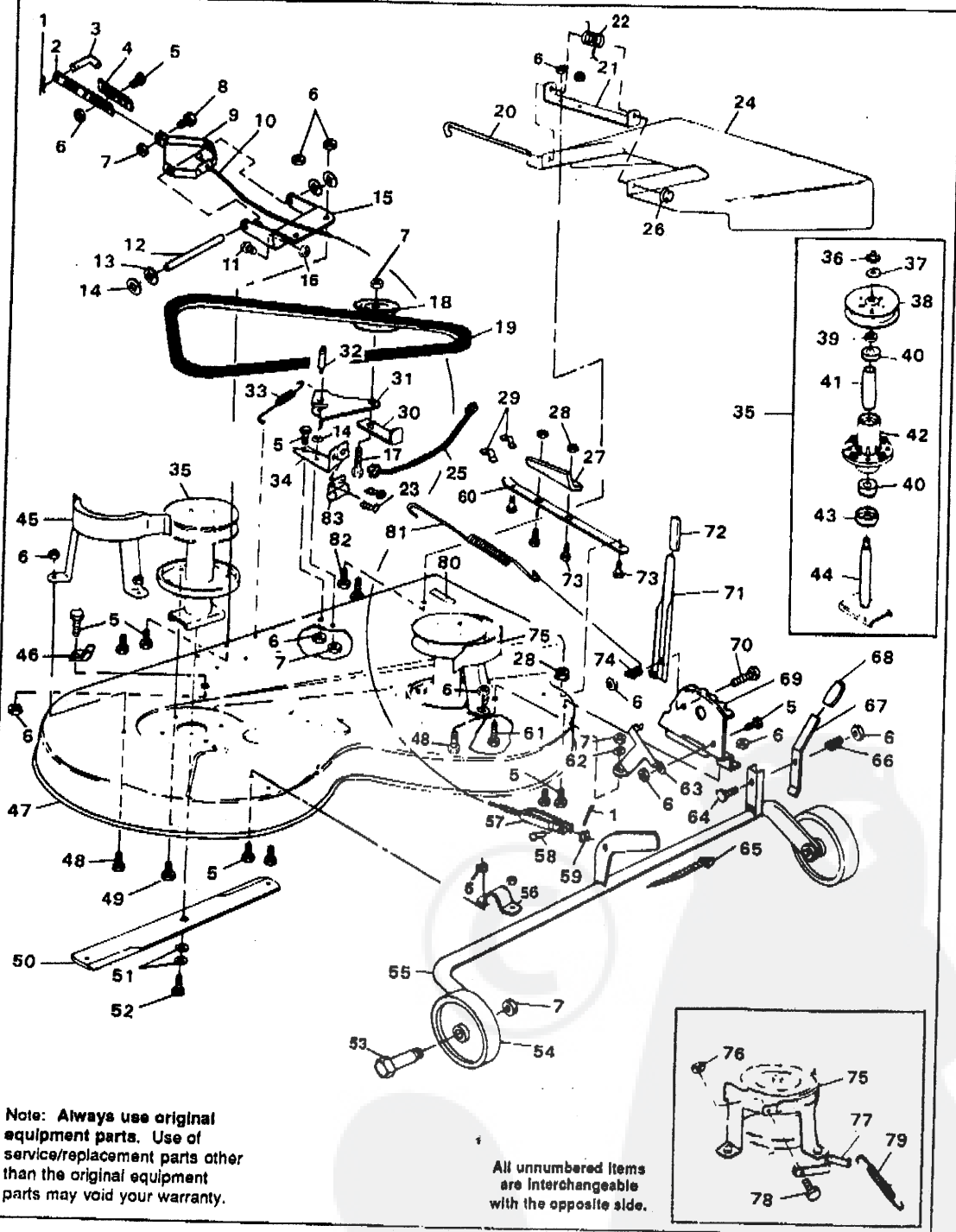
32" Lawn Tractor Model 3554-8100

Key No.	Part No.	Description	Key No.	Part No.	Description
1	274672	Screw, Hex Hd 1/4-20 x 3/4 In.	46	302689	Drag Link Assembly
2	50988	Gas Cap w/Gauge	47	5728	Bracket, Grille Support R.H.
3	49050	Screw, Plastite, 1/4-10 3/4 In.	48	47453	Edging, Hood
4	307609	Hood	49	56673	Grille
5	55931	Foam Pad, Hood R.H.	50	5729	Bracket, Grille Support L.H.
6	54885	Pad, Vibration	51	8281	Bulkhead, Console
7	458378	Spring Pin, 1/4 x 2-1/4 In.	52	50720	Shoulder Bolt Axle Pivot
8	301251	Steering Wheel	53	122201	Screw, Hex Hd 3/8-16 x 2-3/4 In.
9	54902	Bearing, Steering	54	8541	Bracket, Deck Hanger
10	306316	Dash Assembly	55	49447	Arm, Steering
11	50117	Lever, Throttle Control	56	122145	Screw, 3/8-16 x 2-1/4 In.
12	50607	Knob, Throttle Control Lever	57	50546	Bearing, Spindle
13	55930	Foam Pad, Hood Top	58	9766	Front Axle Assembly
14	35287	Screw, Taplite #8-32 x 3/8 In.	59	56362	Bracket, Front Axle Support
15	39492	Retaining Ring	60	274654	Locknut, Hex 1/4-20 Thd.
16	44008	Shaft, Steering Assembly	61	302668	Spindle, Right
17	44009	Pinion Gear	62	302691	Tie Rod
18	454565	Roll Pin	63	302667	Spindle, Left
19	304314	Seat	64	842	Flatwasher, 3/4 In.
20	20507	Shoulder Bolt	65	41060	Tire
21	8889	Seat Bracket	66	39979	Bearing
22	120638	Lockwasher, Split 5/16 In.	67	24187	Valve Stem
23	122007	Screw, Hex Hd, 5/16 - 18 x 3/4 In.	68	39937	Wheel/Bearing
24	120228	Screw, Hex Hd 5/16-18 x 5/8 In.	69	40394	Hub Cap
25	56220	Spring, Seat	70	55932	Foam Pad, Hood L.H.
26	1341	Clip, Seat Spring	71	120393	Flatwasher, 11/32 In.
27	1498	Locknut, Hex 3/16-18 Thd.	72	120233	Screw, Hex Hd, 3/8 - 16 x 1 In.
28	51335	Locknut, Wide Flange 1/4 - 20 Thd.	73	8521	Cover, Console Rear
29	995346	Screw, Taplite 1/4-20 x 1/2 In.	74	50352	Locknut, Flange 1/4 - 20 Thd.
30	3606	Fender	75	302444	Pads, Adhesive (4)
31	448363	Flatwasher, 5/16 In.	76	273243	Screw, Hex Hd, 1/4 - 20 x 3/4 In.
32	122017	Screw, Hex Hd 5/16-18 x 1 In.	77	307022	Decal, Lower Dash
33	49899	Bracket Deck Guide	78	56030	Screw, Hex Hd, 5/16 - 18 x 3/4 In.
34	43964	Bracket, Deck Guide Support	79	120369	Nut Hex 3/8 - 24 Thd.
35	39573	Screw, Hex Hd Lock 3/8-24 x 1 In.	80	55273	Locknut, Flange 5/16 - 18 Thd.
36	2483	Spring Washer	81	21275	Ball Joint
37	36625	"E" Ring	82	124925	Nut, Hex 3/8 - 24 Thd.
38	49930	Upstop Bolt	83	41482	Press Clip
39	1499	Locknut, 3/8-16 Thd.	84	302444	Pad, Mount to Hood
40	302099	Spring Cover	85	41059	Wheel and Tire Assembly
41	304245	Sector Gear	86	57547	Seat Switch
42	44011	Shoulder Bolt, Sector Gear	87	160505	Screw, 1/4 - 20 x 3/8 In.
43	306959	Console Assembly			
44	1502	Locknut, Hex 1/4-20 Thd.			
45	120382	Lockwasher, Split 3/8 In.			

(*) Standard hardware items - may be purchased locally.

Repair Parts

32" Lawn Tractor Model 3554-8100



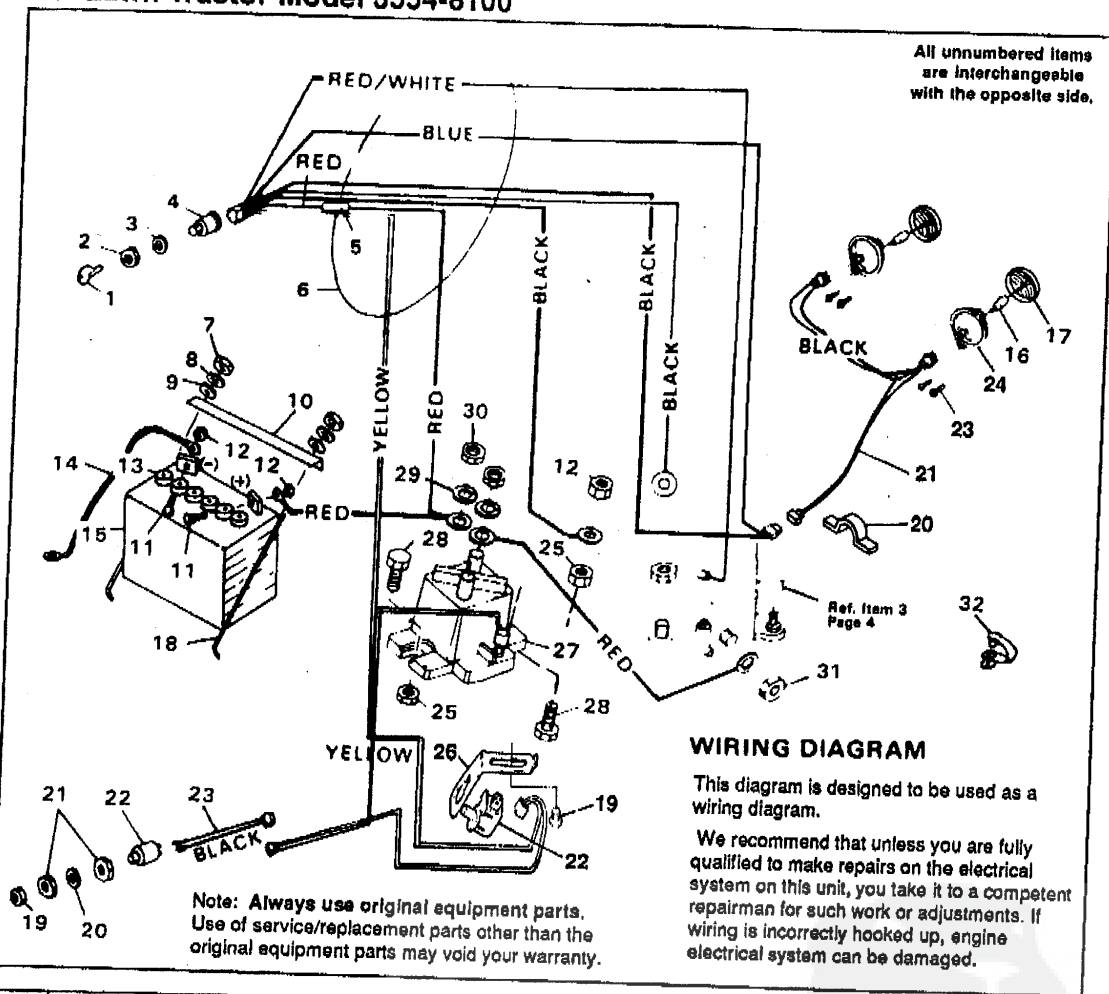
32" Lawn Tractor Model 3554-8100

Key No.	Part No.	Description	Key No.	Part No.	Description
1	56180	Hairpin Cotter	46	57569	Retainer, Wire
2	49059	Bar Hitch	47	306277	Mower Deck
3	47816	Pull Pin	48	122017	Screw, Hex Hd, 5/16 - 18 x 1 In.
4	49058	Lock Bracket	49	50634	Screw, Tapite, 5/16 - 18 x 7/8 In.
5	120228	Screw, Hex Hd, 5/16 - 18 x 5/8 In.	50	56820	Blade, 16 In.
6	1498	Locknut, 5/16 - 18 Thd.	51	2483	Spring Washer
7	1499	Locknut, 3/8 - 16 Thd.	52	39573	Screw, Tapite, 3/8 - 24 x 1 In.
8	120918	Screw, Hex Hd, 3/8 - 16 x 1-1/2 In.	53	23763	Shoulder Bolt
9	50813	Pivot Bracket	54	52584	Wheel Assembly, Deck
10	57511	Lift Cable	55	12561	Pivot Tube Assembly
11	55686	Screw, Truss Hd, 1/4 - 20 x 5/8 In.	56	51985	Support, Pivot Tube
12	55724	Pivot Rod	57	9405	Clevis, Lift Cable
13	996425	Flatwasher, 33/64 In.	58	39522	Pin, Clevis
14	20864	Retaining Ring "E"	59	120372	Nut, Square, 1/4 - 20 Thd.
15	48676	Lift Support Plate	60	55370	Skid Bar
16	271172	Keps Nut, 1/4 - 20 Thd.	61	180120	Screw, Hex Hd, 3/8 - 16 x 3/4 In.
17	122181	Screw, Hex Hd, 3/8 - 16 x 2 In.	62	120394	Flatwasher, 13/32 In.
18	39498	Idler Pulley, Drive	63	53781	Brace, Height Adjust Bracket
19	45186	V-Belt	64	120696	Screw, Hex Hd, 5/16 - 18 x 2-1/4 In.
20	57430	Rod, Chute Pivot	65	57444	Wire Tie
21	57432	Pivot Bracket	66	53246	Spring, Height Adjust Lever
22	57431	Spring, Chute Pivot	67	8903	Lever, Height Adjust
23	57220	Screw, No. 12 x 1/2 In.	68	53995	Hand Grip, Height Adjust Lever
24	8905	Chute Guard	69	12559	Bracket, Height Adjust
25	57564	Wire Assembly, Deck Switch	70	122040	Screw, Hex Hd, 5/16 - 18 x 3/4 In.
26	57507	Push Nut	71	9126	Lever, Deck Engage
27	55648	Deflector	72	55213	Hand Grip, Deck Engage Lever
28	271184	Nut, Hex Keps, 5/16 - 18 Thd.	73	126216	Carriage Bolt, 5/16 - 18 x 3/4 In.
29	41482	Wire Clip, Press	74	29170	Spring, Deck Engage Lever
30	3382	Belt Retainer	75	307653	Belt Guard, R.H. Pulley
31	304883	Bracket, Throwout	76	997316	Locknut, No. 10-24 Thd.
32	40305	Shoulder Bolt	77	44992	Spring, Belt Brake
33	41357	Spring, Blade Throwout Return	78	443874	Screw, Hex Hd. No. 10-24 x 1/2 In.
34	57519	Mounting, Bracket, Switch	79	12556	Spring, Brake Release
35	58283	Quill Assy. (Includes Nos. 36-44)	80	68901	Decal, Height Adjust
36	1282	Flange Nut, 7/16 - 20 Thd.	81	12557	Spring, Blade Throwout
37	58365	Washer, Special	82	122007	Screw, Hex Hd, 5/16 - 18 x 3/4 In.
38	56391	Pulley	83	57476	Switch, Lockout
39	56280	Spacer			
40	49562	Bearing			
41	50818	Spacer, Tube			
42	55547	Quill Casting			
43	50616	Dust Shield, Quill			
44	56623	Saddle and Shaft Assembly			
45	307652	Belt Guard, L.H. Pulley			

Part No. 309319

Repair Parts

32" Lawn Tractor Model 3554-8100



Key No.	Part No.	Description
1	300626	Key, Ignition
2	48140	Locknut (Switch Part)
3	138557	Lockwasher (Switch Part)
4	300687	Switch, Ignition
5	302031	Fuse
6	57642	Wire Harness Assembly
7	120375	Nut, Hex, 1/4 - 20 Thd.
8	120380	Lockwasher, Split
9	120392	Flatwasher
10	56360	Bracket, Battery, Hold-Down
11	120854	Screw, Hex Hd, 1/4 - 20 x 5/8 In.
12	271172	Nut, Keps, 1/4 - 20 Thd.
13	40892	Cap, Battery
14	55511	Ground Wire
15	302257	Battery
16	52572	Bulb, Headlight

Key No.	Part No.	Description
17	52570	Lens, Headlight
18	40234	Battery Rod
19	995346	Screw, Taptite, 1/4 - 20 x 1/2 In.
20	41482	Wire Clip, Press
21	56189	Lead Wire, Headlight
22	300220	Switch, Lockout
23	50668	Screw, Hex Wa Tap No. 10-14 x 1/2 In.
24	52571	Bezel, Headlight
25	1502	Locknut, Hex, 1/4 - 20 Thd.
26	302610	Bracket, Switch Mounting
27	53716	Solenoid
28	187745	Screw, Hex Hd, 1/4 - 20 x 3/4 In.
29	138485	Washer, Shakeproof, 5/16 In.
30	120368	Locknut, Hex, 5/16 - 24 Thd.
31		Engine Part