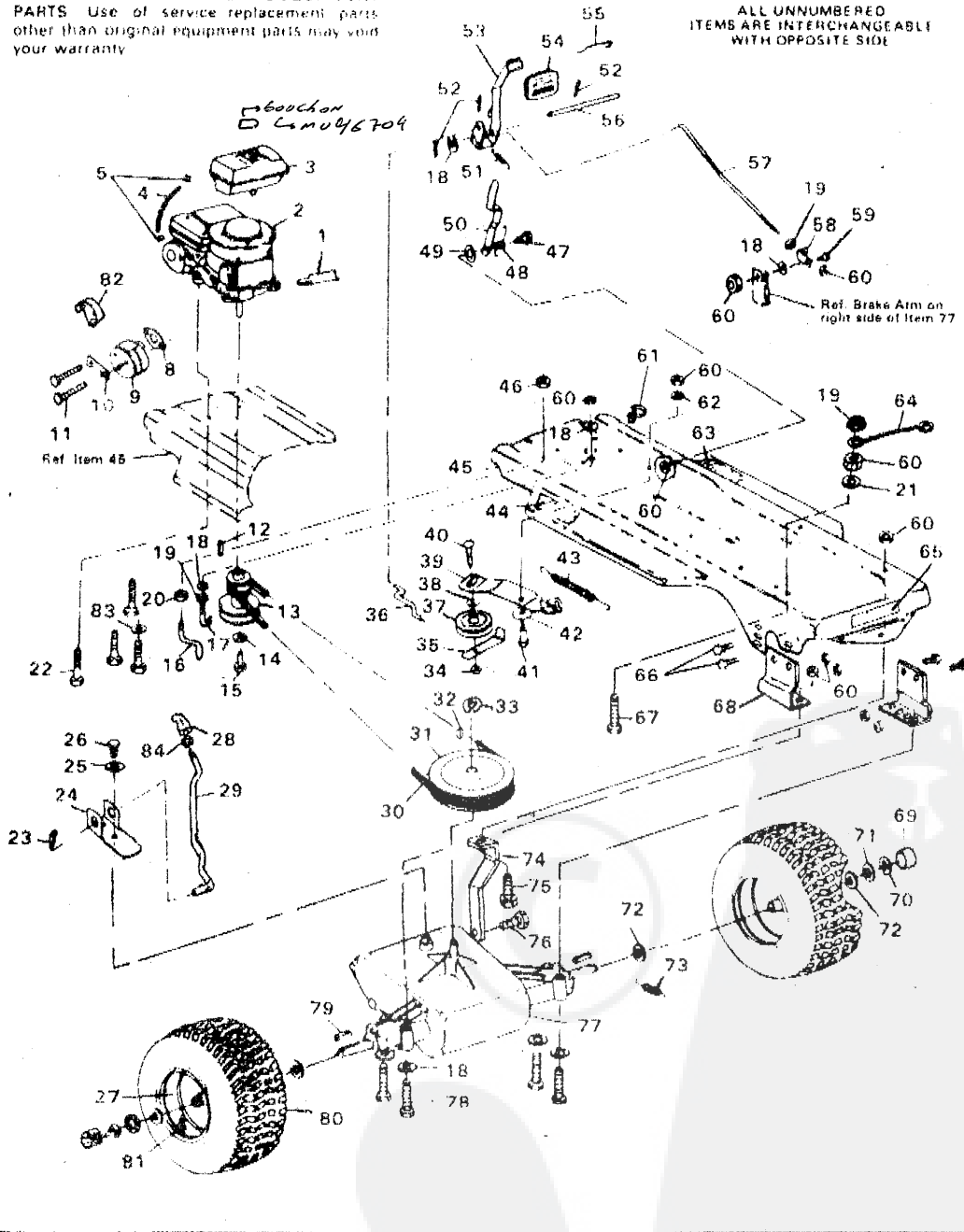


**REPAIR PARTS**

**36" RIDING MOWER MODEL 3560-022**

**NOTE: ALWAYS USE ORIGINAL EQUIPMENT PARTS** Use of service replacement parts other than original equipment parts may void your warranty.

ALL UNNUMBERED ITEMS ARE INTERCHANGEABLE WITH OPPOSITE SIDE



## 36" RIDING MOWER MODEL 3560-022

ALWAYS GIVE THE FOLLOWING INFORMATION WHEN ORDERING REPAIR PARTS

1. The PART NUMBER 2. The PART NAME 3. QUANTITY DESIRED 4. The MODEL NUMBER (As shown on Model Plate)

SEND PART ORDERS AS PER INSTRUCTIONS ON THE FRONT PAGE

YOUR UNIT IS RIGHT HAND (RH) OR LEFT HAND (LH) AS YOU STAND BEHIND IT

DO NOT USE KEY NUMBERS WHEN ORDERING REPAIR PARTS. ALWAYS USE PART NUMBERS

All replacement parts will be supplied in current production colors or in a neutral color

A handling fee is applicable to small parts orders

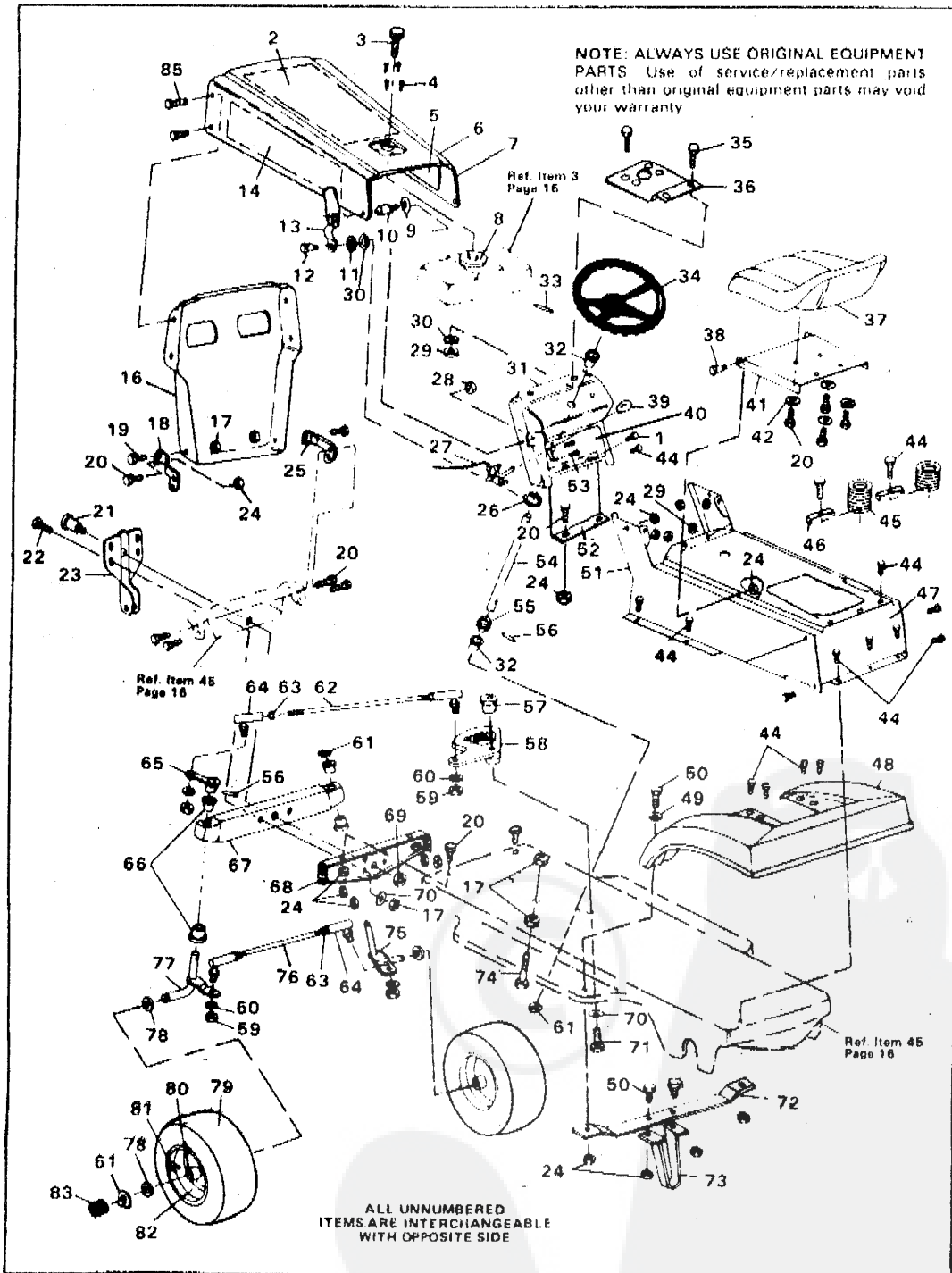
Key No.	Part No.	Description	Key No.	Part No.	Description
1	54873	Trough, Oil Drain	43	49276	Spring, Main Drive
2	Engine	§See footnote Below	44	54855	Foot Pad, L.H.
3	48812	Gas Tank	45	50570	Main Frame
4	42258	Gas Line	46	41529	Locknut, 3/16 Thd.
5	41008	Clip, Gas Line	47	40974	Shoulder Bolt, Parking Brake
			48	43968	Spring, Parking Brake
			49	32327	Wave Washer
8		Gasket, Muffler (Engine Part)	50	50980	Arm, Parking Brake
9	57908	Muffler	51	50562	Spring, Clutch Pedal
10		Engine Part	52	121222	Pin, Cotter, 3/32 x 3/4 In.
11	173063	Screw, Hex Hd, 5/16-18 x 3 1/2 In.	53	55722	Brake Pedal Assembly
12	33200	Key, Engine Pulley	54	53979	Rubber Pad, Brake Pedal
13	55796	Pulley, Engine	55	55025	Retainer, Pad, Brake Pedal
14	120383	Lockwasher, Split, 7/16 In.	56	43956	Shaft, Brake-Clutch Pedal
15	123567	Screw, Hex Hd, 7/16-20 x 1 In.	57	54715	Rod, Brake
16	50653	Bolt Guide, Blade Drive	58	54723	Bracket, Brake Rod
17	49896	Belt Guide, Trans. Drive Belt	59	20507	Shoulder Bolt
18	120393	Flatwasher, 5/16 In.	60	9413447	Locknut, Hex 5/16-18 Thd.
19	271184	Nut, Hex, Keps, 5/16-18 Thd.	61	54888	Retainer, Wire
20	271190	Nut, Hex, Keps, 3/16 Thd.	62	45602	Washer
21	138485	Washer, Ext. Lock, 5/16 In.	63	54618	Foot Pad, R.H.
22	50947	Screw, Hex Hd, 3/8-16 x 1 1/4 In.	64	55511	Ground Wire
23	137185	Pin, Cotter, 1/4 x 1 In.	65	68542	Decal, Caution
24	56256	Shift Bracket	66	120228	Screw, Hex Hd, 5/16-18 x 3/4 In.
25	57157	Washer	67	122017	Screw, Hex Hd, 5/16-18 x 1 In.
26	56255	Screw, Nylock, 1/4-28 x 3/4 In.	68	53768	Bracket, Axle
27	41105	Wheel, Roar	69	40394	Hub Cap
28	58284	Knob, Gear Shift	70	36625	"E" Ring
29	55526	Shift Lever	71	42815	Flatwasher
30	54758	V-Belt	72	642	Flatwasher
31	55520	Pulley, Transaxle	73	35410	Spring, Brake Return
32	3021	Key, Woodruff, No. 606	74	54713	Bracket, Stabilizer
33	22059	Retaining Ring	75	122007	Screw, Hex Hd, 5/16-18 x 3/4 In.
34	9413534	Locknut, Hex, 3/8-16 Thd.	76	35498	Screw, Hex Wa. Tap, 5/16-18 x 3/4 In.
35	39659	Belt Retainer	77	Transaxle	†Peerless 4 speed, Model 900
36	43980	Rod, Clutch	78	180112	Screw, Hex Hd, 5/16-18 x 2 3/4 In.
37	35374	Pulley, Idler	79	39628	Key, 3/16 x 3/16 x 2 1/2 In.
38	274517	Flatwasher, 25/64 In.	80	41106	Tire
39	53762	Idler Arm	81	24167	Valve Stem
40	45892	Carriage Bolt, 3/8-16 x 1 1/2 In.	82	54767	Heat Shield, Muffler
41	41890	Shoulder Bolt	83	138489	Washer, Ext. Lock, 3/8 In.
42	4107	Washer	84	120238	Jam Nut, 3/8-13 Thd.

\*Standard Hardware Items - May Be Purchased Locally

†Contact Tecumseh/Peerless authorized service dealer for parts and warranty

‡Contact Engine Manufacturer's authorized service dealer (See Engine Manual) for parts and warranty

36" RIDING MOWER MODEL 3560-022

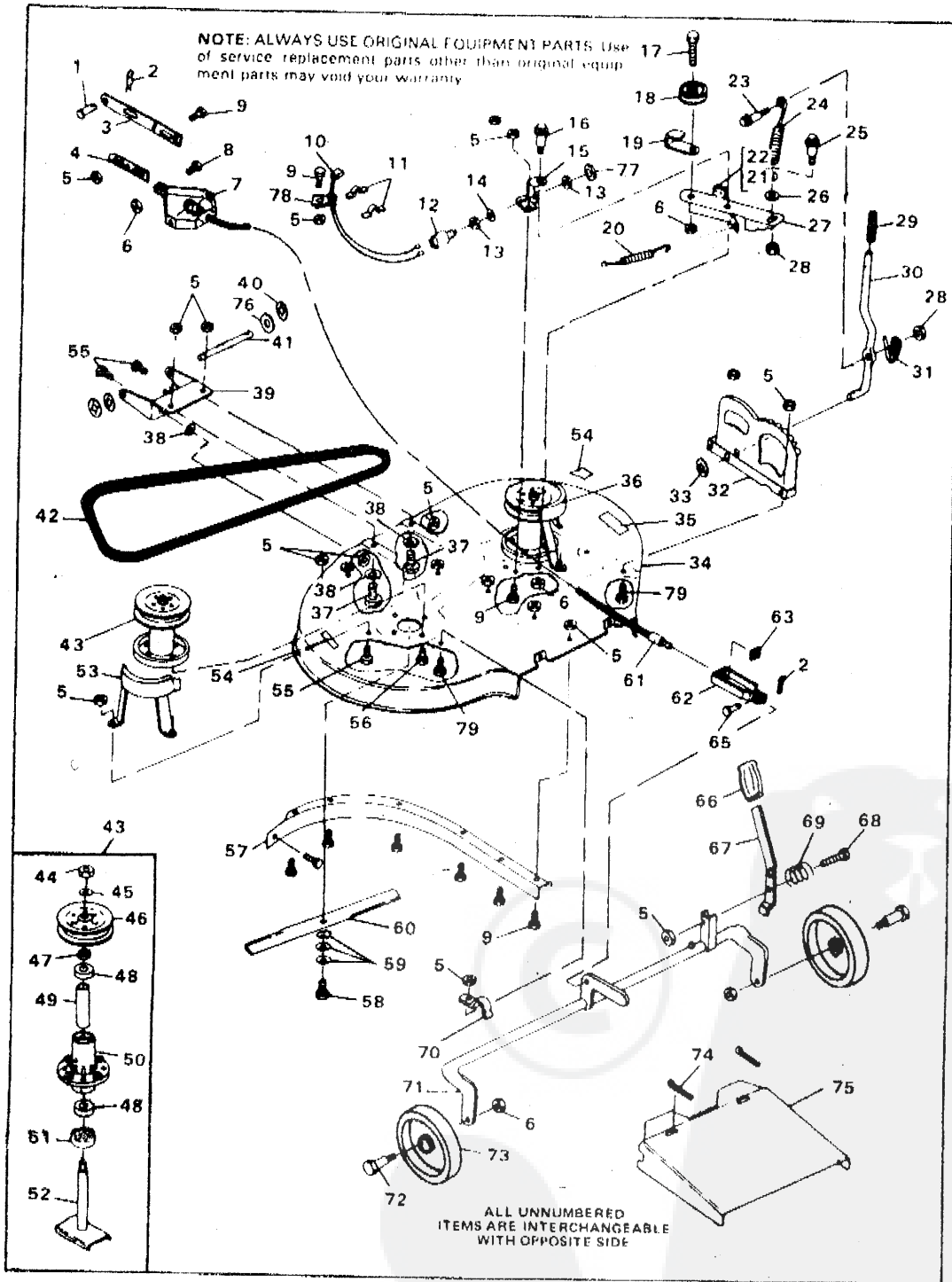


## 36" RIDING MOWER MODEL 3560-022

Key No.	Part No.	Description	Key No.	Part No.	Description
1	274672	Screw, Hex Wa. Hd, ¼-20 x ¾ In	44	995346	Screw, Taptite, ¼-20 x ½ In.
2	55832	Foam Pad, Hood Top	45	56220	Spring, Seat
3	50988	Gas Gauge	46	300284	Clip, Seat Spring
4	49050	Screw, Plastite, ¼-10 x ¾ In	47	56235	Cover, Rear Console
5	55834	Foam Pad, Hood, R H	48	52470	Fender Assembly
6	53954	Hood	49	446363	Flatwasher, 5/16 In.
7	55040	Edging, Hood	50	122017	Screw, Hex Hd, 5/16-18 x 1 In.
8	54885	Pad, Vibration	51	56226	Console Assembly
9	138538	Lockwasher, Int. Tooth, 5/16 In.	52	55537	Bulkhead, Console
10	53446	Pin, Hood Latch	53	35287	Screw, Taptite, No. 8-32 x ¾ In.
11	120394	Flatwasher, 13/32 In	54	44008	Shaft, Steering
12	8482	Shoulder Bolt	55	44009	Pinion Gear
13	57159	Latch, Hood	56	454565	Roll Pin
14	55833	Foam Pad, Hood, L H.	57	44011	Shoulder Bolt, Sector Gear
16	53402	Grille	58	48543	Sector Gear
17	9413534	Locknut, ¾-16 Thd	59	120369	Nut, Hex, ¾-24 Thd.
18	56259	Bracket, Grille Support, L H	60	120382	Lockwasher, Split, ¾ In.
19	120233	Screw, Hex Hd, ¾-16 x 1 In	61	36625	"E" Ring
20	120228	Screw, Hex Hd, 5/16 18 x ½ In	62	56190	Drag Link
21	50720	Shoulder Bolt, Axle Pivot	63	124925	Nut, ¾-24 Thd.
22	122201	Screw, Hex Hd, ¾-16 x 2¾ In.	64	21275	Ball Joint
23	56261	Bracket, Deck Hanger	65	49447	Arm, Steering
24	9413447	Locknut, Hex, 3/16-18 Thd.	66	50546	Bearing, Spindle
25	56260	Bracket, Grille Support, R H	67	56400	Front Axle Assembly
26	39492	Retaining Ring	68	56362	Bracket, Front Axle Support
27	50117	Lever, Throttle Control	69	274654	Locknut, Hex, ¼-20 Thd.
28	45174	Locknut, Wide Flange, ¼-20 Thd	70	2483	Spring Washer
29	9424215	Locknut, Hex, ¼ 20 Thd	71	39573	Screw, Hex Hd, Lock, ¾-24 x 1 In.
30	120393	Flatwasher	72	43964	Bracket, Deck Guide Support
31	53951	Dash Assembly	73	44500	Bracket, Deck Guide
32	54902	Bearing, Steering	74	49930	Upstop Bolt
33	456836	Spring Pin, ¼ x 2¼ In.	75	55518	Spindle, Right
34	301251	Steering Wheel	76	55666	Tie Rod
35	120854	Screw, Hex Hd, ¼-20 x ¾ In	77	55519	Spindle, Left
36	55387	Bracket, Support, Gas Tank	78	642	Flatwasher, ¾ In.
37	57500	Seat	79	41108	Tire
38	20507	Shoulder Bolt	80	39979	Bearing
39	50607	Knob, Throttle Control Lever	81	24167	Valve Stem
40	70078	Decal, Lower Dash	82	39829	Wheel w/Bearing
41	57417	Seat Bracket	83	40394	Hub Cap
42	120638	Lockwasher, Split, 5/16 In.	85	57216	Screw, Plastite, 5/16-9 x ¾ In.

\*Standard Hardware Items - May Be Purchased Locally

### 36" RIDING MOWER MODEL 3560-022

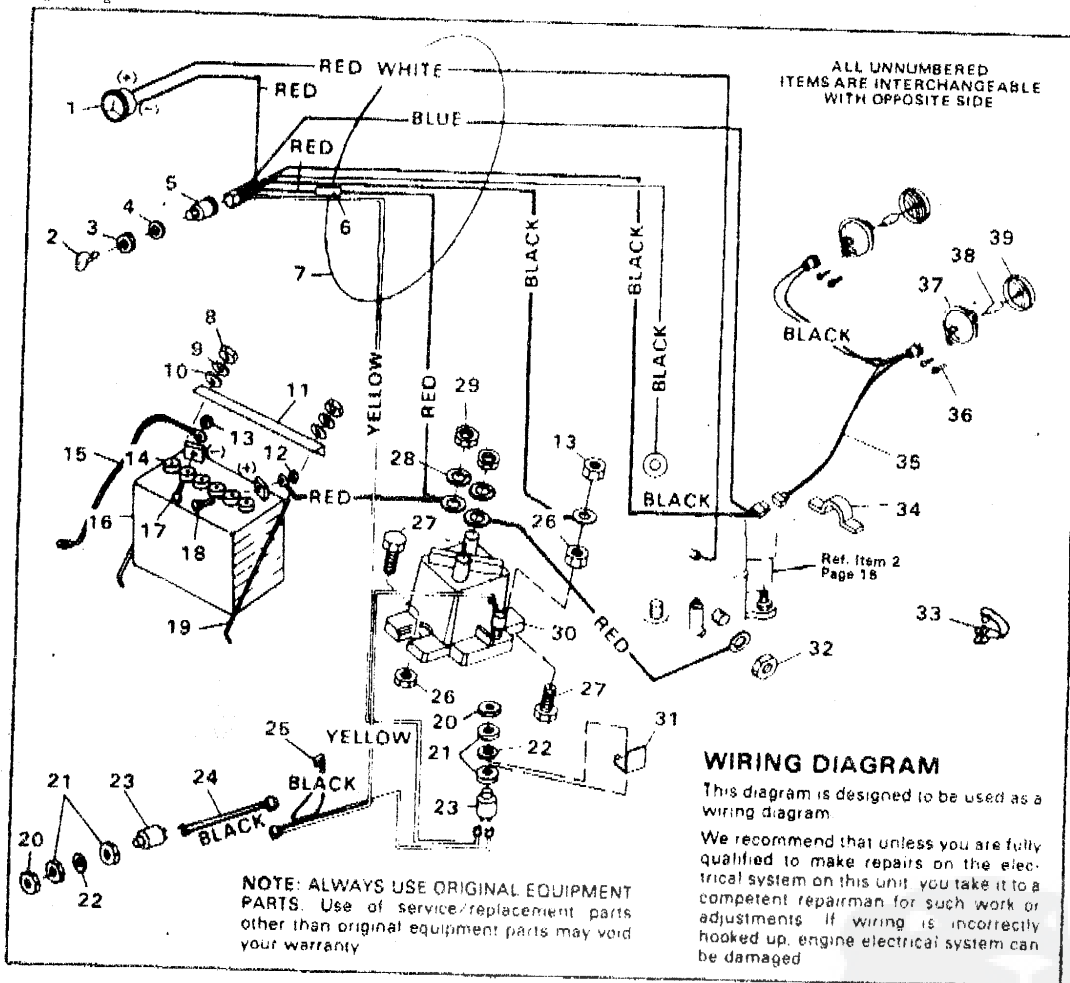


## 36" RIDING MOWER MODEL 3560-022

Key No.	Part No.	Description	Key No.	Part No.	Description
1	47816	Pull Pin	40	20864	"E" Ring
2	56180	Hairpin Cotter	41	55724	Pin, Pivot
3	49059	Bar Hitch	42	49044	V-Belt
4	49058	Lock Bracket	43	56424	Quill Assembly (Incl. Nos. 44-52)
5	9413447	Locknut, 5/16-18 Thd	44	51445	Locknut, Flange
6	9413534	Locknut, 3/8-16 Thd	45	56305	Flatwasher
7	50613	Pivot Bracket	46	56390	Pulley
8	120918	Screw, Hex Hd, 3/8-16 x 1 1/2 In.	47	51449	Spacer
9	120228	Screw, Hex Hd, 5/16-18 x 3/4 In.	48	49562	Bearing
10	48851	Wire Assembly	49	50818	Spacer, Tube
11	41482	Clip, Press	50	55547	Quill Casting
12	41204	Switch, Lockout	51	50616	Dust Shield
13	45877	Nut (Lockout Switch Part)	52	56425	Saddle and Shaft Assembly
14	45878	Lockwasher (Lockout Switch Part)	53	46365	Cover, Pulley, L.H.
15	47517	Bracket, Idler Arm	54	68542	Decal, Caution
16	47516	Shoulder Bolt	55	122017	Screw, Hex Hd, 5/16-18 x 1 In.
17	122168	Screw, Hex Hd, 3/8-16 x 1 1/2 In.	56	50634	Screw, Tapite, 5/16-18 x 3/8 In.
18	52694	Pulley, Idler	57	55655	Baffle, L.H.
19	52695	Belt Retainer	58	39573	Screw, Hex Hd, 3/8-24 x 1 In.
20	39510	Spring	59	2483	Formed Washer
21	41482	Rivet, Brake Pad	60	58821	Blade, 18 In.
22	61482	Brake Pad	61	55880	Lift Cable
23	53696	Shoulder Bolt	62	300703	Clevis, Lift Cable
24	57636	Spring, Clutch Lever	63	120372	Nut, Square, 1/4-20 Thd
25	46563	Shoulder Bolt	64	8260	Hairpin Cotter
26	120392	Flatwasher, 9/32 In.	65	39522	Pin, Clevis
27	53055	Idler Arm Assy (Incl. Nos. 21 & 22)	66	20250	Hand Grip
28	9424216	Locknut, 1/4-20 Thd	67	49131	Lever, Height Adjust
29	46478	Hand Grip	68	120696	Screw, hex Hd, 5/16-18 x 2 1/4 In.
30	300910	Lever, Clutch	69	53246	Spring
31	48561	Spring, Clutch Lever	70	51985	Support, Pivot Tube
32	53247	Quadrant	71	52613	Pivot Tube Assembly
33	53697	Push Nut	72	23763	Wheel Axle
34	55663	Mower Deck	73	52564	Wheel
35	68543	Decal, Height Adjust	74	120123	Pin, Cotter, 1/4 x 1 1/4 In.
36	46364	Cover, Pulley, R.H.	75	50993	Chute Extension
37	122007	Screw, Hex Hd, 5/16-18 x 3/4 In.	76	996425	Flatwasher
38	996416	Flatwasher, 3/8 In.	77	56635	Nut, Hex
39	48676	Lift Support, Plate Assembly	78	57569	Retainer, Wire
			79	120834	Screw, Hex Hd, 5/16-18 x 1/2 In.

\*Standard Hardware Items - May Be Purchased Locally

36" RIDING MOWER MODEL 3560-022



Key No.	Part No.	Description	Key No.	Part No.	Description
1	39463	Ammeter	21	45877	Nut (Lockout Switch Part)
2	300626	Key, Ignition	22	45878	Lockwasher (Lockout Switch Part)
3	48140	Locknut, (Switch Part)	23	41204	Switch, Lockout
4	138557	Lockwasher (Switch Part)	24	48851	Wire Assembly, Deck Switch
5	300687	Switch, ignition	25	42071	Wire Assembly, By-Pass
6	49211	Fuse	26	9424215	Locknut, Hex. 1/4-20 Thd
7	56349	Wire Harness Assembly	27	187745	*Screw, Hex Hd. 1/4-20 x 1/4 in.
8	120375	*Nut, Hex. 1/4-20 Thd	28	138485	Lockwasher, Ext. Tooth, 5/16 In.
9	120380	*Lockwasher, Split, 1/4 In.	29	120368	Locknut, Hex. 5/16-24 Thd
10	120392	*Flatwasher, 9/32 In.	30	53716	Solenoid
11	56360	Bracket, Battery Hold-Down	31	49734	Bracket, Switch Mounting
12	271184	*Nut, Keps. 5/16-18 Thd	32		Engine Part
13	271172	*Nut, Keps. 1/4-20 Thd	33	54888	Retainer, Wire
14	40892	Cap. Battery	34	41482	Wire Clip, Press
15	55511	Ground Wire	35	56189	Lead Wire, Headlight
16	52936	Battery	36	50668	Screw, Hex Wa Hd. No. 10-14 x 1/2 in
17	126203	*Carriage Bolt, 1/4-20 x 3/8 In.	37	52571	Bezel, Headlight
18	126216	*Carriage Bolt, 5/16-18 x 3/4 In.	38	52572	Bulb, Headlight
19	40234	Battery Rod	39	52570	Lens, Headlight
20	56635	Nut, Hex. 15/32-32 Thd			