

REPAIR PARTS MANUAL

36" - 11 H.P. RIDING MOWER

MODEL 3560-0270

ONE YEAR LIMITED WARRANTY

For one (1) year from date of purchase by the first consumer for residential use (thirty (30) days commercial use), NOMA Outdoor Products Incorporated warrants that it will replace free of charge, including labor, any original part of any NOMA Outdoor Products Incorporated product found to be defective by any authorized Service Dealer or the factory, except the battery which is warranted for ninety (90) days from date of purchase.

This warranty does not cover engine, transmission, transaxle or differential (these items are covered by their manufacturer's own warranty). This warranty does not cover parts that have failed due to normal wear or parts that have failed subject to misuse or abuse. Transportation of the unit or part to and from an authorized Service Dealer or factory is the responsibility of the owner.

A step by step explanation as to what procedure should be followed for this Warranty is:

1. If a part becomes defective, contact the store where the unit was purchased for the name and address of the authorized Service Dealer nearest to you.
2. If you cannot locate an authorized Service Dealer, write Service Department of NOMA Outdoor Products Incorporated for the name and address of the authorized Service Dealer in your area or call the Service Department at 1-901-422-1690.
3. Return the defective product, along with proof of purchase to such authorized Service Dealer for replacement of any defective part where covered by this warranty.

There is no other express warranty. Implied warranties, including those of merchantability and fitness for a particular purpose are limited to one (1) year from date of purchase. Liability for incidental or consequential damages are excluded.

Some states do not allow limitations on how long an implied warranty lasts, so the above limitation may not apply to you. Some states do not allow the exclusion of incidental or consequential damages, so the above exclusion may not apply to you. This warranty gives you specific legal rights, and you may have other rights which vary from state to state.

NOMA Outdoor Products Incorporated

Caller 8000

Jackson, TN 38308-8000

UNIT PARTS AND SERVICE

This manual contains instructions for safety, assembly and maintenance. Read this manual carefully and completely so that you will know proper assembly, use and care of your unit. Also fill in and mail the registration card packed with the unit. For service other than covered in this manual, contact an authorized service dealer. A nationwide parts and service organization has been established to provide locally available parts and service. A list of authorized parts distributors has been included in this manual. When ordering repair parts, always give the following information: 1. The Part Name; 2. The Part Number; 3. The Quantity desired; 4. The Full (eight digit) Model Number of the unit. The model number will be found on a plate attached to the unit.



Look for this symbol.

It means - ATTENTION! BECOME ALERT! A HAZARD TO OPERATOR, BYSTANDER, PROPERTY OR EQUIPMENT MAY EXIST.

NOMA Outdoor Products Incorporated
Caller 8000

Jackson, TN 38308-8000

Part No. 309636

2489



OPERATIONAL PRECAUTIONS



THESE INSTRUCTIONS ARE FOR YOUR PROTECTION. PLEASE READ THEM CAREFULLY.

1. Know the controls and how to stop quickly. READ THIS OPERATOR'S MANUAL and instructions furnished with attachments.
2. Wear safety glasses or eye shields when assembling or operating riding mower.
3. Do not allow children to operate the machine. Do not allow adults to operate it without proper instruction.
4. Do not carry passengers. Do not mow when children and others are around. Disengage power to blade(s) or attachment(s) and stop the engine while others are in the vicinity of the mower.
5. Battery fluid (electrolyte) is an ACID and is extremely dangerous. Do not smoke while servicing the battery. Do not service the battery near a open flame or spark.
6. Handle gasoline with care, it is highly flammable.
 - A. Use approved gasoline container.
 - B. Never remove the fuel cap of, or add gasoline to, a running or hot engine, or an engine that has not been allowed to cool for several minutes after running. Never fill the tank indoors and always clean up spilled fuel immediately.
 - C. Do not smoke while filling fuel tank.
 - D. Do not run the engine indoors. Open doors if engine must be run in garage. Exhaust fumes contain CARBON MONOXIDE, an ODORLESS and DEADLY GAS.
7. Check fuel supply before each use allowing space for expansion as the heat of the engine and/ or sun can cause gasoline to expand.
8. Do not operate mower when barefooted. Always wear substantial footwear, preferably steel-toed shoes. Do not wear loose fitting clothing that could get caught in moving parts.
9. Clear the work area of objects (wire, rocks, etc.) which might be picked up and thrown. Check all controls for proper function.
10. Disengage all attachment clutches, shift to neutral, and set parking brake before attempting to start the engine (motor). When starting engine equipped with a pull starter, stand firm and make sure your feet are well away from the blade(s).
11. Disengage power to blade(s) or other attachment(s) and stop the engine (motor) before leaving the operator's position. Always dismount from the left side.
12. Disengage power to blade(s) or other attachment(s) and stop the engine (motor) before making any repairs or adjustments.
13. Disengage power to blade(s) or other attachment(s) when transporting or not in use.
14. Take all possible precautions when leaving the vehicle unattended, such as disengaging power to blade(s) or attachment(s), lower the attachment(s), setting the parking brake, stopping the engine (motor), and removing the key.
15. Do not stop or start suddenly when going uphill or downhill. Mow up and down the face of steep slopes; never across the face.
16. Reduce speed and exercise extreme caution on slopes and in sharp turns to prevent tipping or loss of control. Be especially cautious when changing direction on slopes.
17. Stay alert for holes, rocks, and roots in the terrain and other hidden hazards. Keep away from drop-off. Never operate your riding mower on wet or slippery grass or at a speed which could cause a skid. Exercise care when mowing around a fixed object to prevent the blade(s) from striking it. Never deliberately run over any foreign object.
18. Always disengage blade control lever before attempting to remove the mower from a hole or other obstruction.
19. Use care when pulling loads or using heavy equipment.
 - A. Use only approved drawbar hitch points.
 - B. Limit loads to those that you can safely control.
 - C. Do not turn sharply. Use care when backing.
 - D. Use counterweight(s), wheel weights or tire chains when suggested in attachment(s) instructions.
20. Watch for traffic when crossing or near roadways.
21. When using attachment(s), never direct discharge of material toward bystanders nor allow anyone near the vehicle while in operation.
22. Keep the vehicle and attachments in good operating condition, and keep safety devices in place and in working condition.
23. Keep all nuts, bolts, and screws tight to be sure the equipment is in safe working condition.
24. Never store the equipment with gasoline in the tank inside a building where fumes may reach an open flame or spark. Allow the engine to cool before storing in any enclosure.
25. To reduce fire hazard, keep the engine free of grass, leaves or excessive grease.
26. The vehicle and attachments should be stopped and inspected for damage after striking a foreign object, and the damage should be repaired before restarting and operating the equipment.
27. Do not change the engine governor settings or overspeed engine.
28. When using the vehicle with mower, proceed as follows:
 - A. Mow only in daylight or in good artificial light.
 - B. Never make a cutting height adjustment while the engine (motor) is running if the operator must dismount to do so.
 - C. Shut the engine (motor) off when removing the grass catcher or unclogging chute.
 - D. Check the blade mounting bolts for proper tightness at frequent intervals.
29. Under normal usage, the grass catcher bag material is subject to deterioration and wear. Check the bag frequently for deterioration and wear and replace worn bags. Check that replacement bags comply with the original manufacturer's recommendations or specifications.
30. Disengage power to mower before backing up. Do not mow in reverse unless absolutely necessary and then only after careful observation of the entire area behind the mower.

OWNER'S INFORMATION

Record the following information about your unit so that you will be able to provide it in case of loss or theft.

MODEL NUMBER: - (Enter complete 8 digit number from model plate on unit)

PURCHASE DATE: ___ / ___ / ___ CODE NO.: _____ SERIAL NO.: _____

DEALER'S NAME AND ADDRESS: _____

CITY: _____ STATE: _____ TELEPHONE: _____

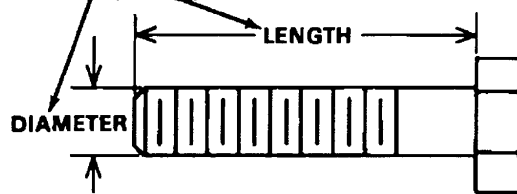
CONTENTS OF SHIPPING CARTON

- 1 - Tractor (with 36 inch deck)
- 1 - Operator's Manual
- 1 - Repair Parts Manual
- 1 - Engine Manual
- 1 - Steering Wheel (with roll pin partially installed)
- 1 - Seat
- 1 - Battery
- 1 - Bag of Assembly Parts Containing:
 - 1 - Oil Drain Trough
 - 1 - Battery Hold-Down Bracket
 - 2 - Battery Hold-Down Rods
- 1 - Bag of Battery Hold-Down Parts Containing:
 - 2 - $\frac{9}{32}$ inch Flatwasher
 - 2 - $\frac{17}{64}$ inch Split Lockwasher
 - 2 - $\frac{1}{4}$ - 20 inch Hex Nut
- 1 - Bag of Battery Cable Installation Parts Containing:
 - 2 - $\frac{1}{4}$ - 20 x $\frac{5}{16}$ inch Hex Head Screws
 - 2 - $\frac{1}{4}$ - 20 inch Keps, Nuts (star washer attached)
- 1 - Bag of Seat Mounting Parts Containing:
 - 4 - $\frac{5}{16}$ - 18 x $\frac{3}{4}$ inch Hex Head Screws
 - 4 - $\frac{21}{64}$ inch Split Lockwashers
 - 4 - $\frac{11}{32}$ inch Flatwashers

TOOLS REQUIRED FOR ASSEMBLY

- 1 - $\frac{7}{16}$ inch Wrench (or adjustable wrench)
- 1 - $\frac{1}{2}$ inch Wrench (or adjustable wrench)
- 1 - Hammer (plastic or rawhide preferred)

HOW TO MEASURE SCREW SIZE ($\frac{5}{16}$ x $1\frac{1}{2}$ INCH)



DANGER



This riding mower can be dangerous if carelessly used.

Read your Owner's Manual thoroughly before operating your riding mower.

Always wear safety glasses or eye shields while assembling or operating your riding mower.

DO NOT carry passengers at any time.

Keep your hands, feet, hair and loose clothing away from the discharge area, the underside of the mower deck or any moving parts while the engine is running.

DO NOT allow children or young teenagers to operate or be near your riding mower while it is operating.

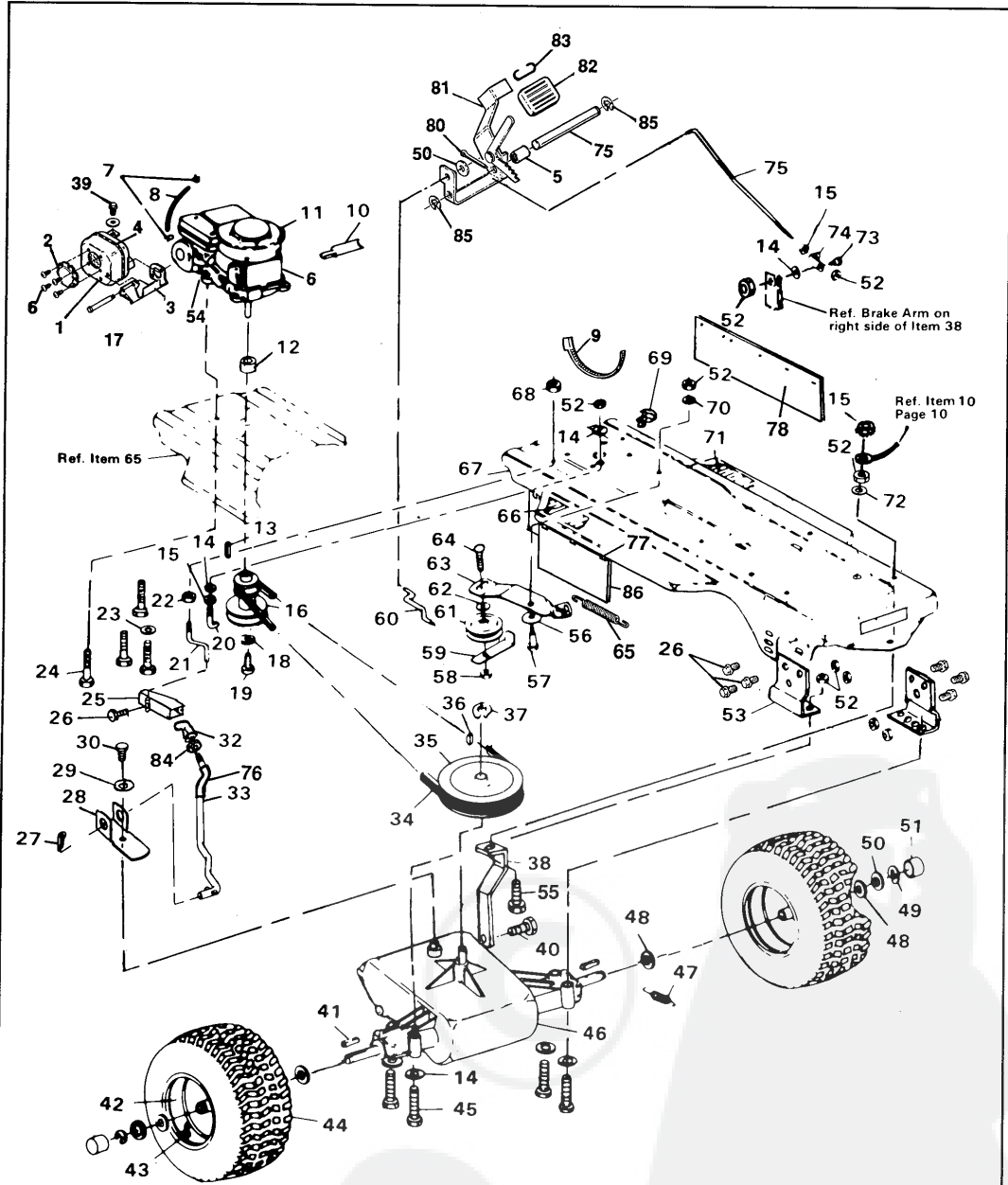
NOTICE

For packaging purposes, the knob may have been removed from the mower clutch lever and placed in the parts bag. Please screw the knob onto the mower clutch lever and tighten it securely.

For packaging purposes, the battery may have been installed on your unit. The battery must be removed from your machine to be serviced. See the **Battery Removal** paragraph in your **Operator's Manual** for removal instructions.

Repair Parts

36" Lawn Tractor Model 3560-0270



Note: Always use original equipment parts.
Use of service/replacement parts other than the
original equipment parts may void your warranty.

All unnumbered items are
interchangeable with the
opposite side.

36" Lawn Tractor Model 3560-0270

Always give the following information when ordering repair parts:

1. The **PART NUMBER**;
2. The **PART NAME**;
3. The **QUANTITY DESIRED**;
4. The **MODEL NUMBER** (As shown on Model Plate).

Send your part orders per the instructions on the front page.

To tell if a part is the left or right handed one, stand behind your mower.

Do not use the key numbers when ordering repair parts, **always use the part numbers.**

All replacement parts will be supplied in current production colors or in a neutral color.

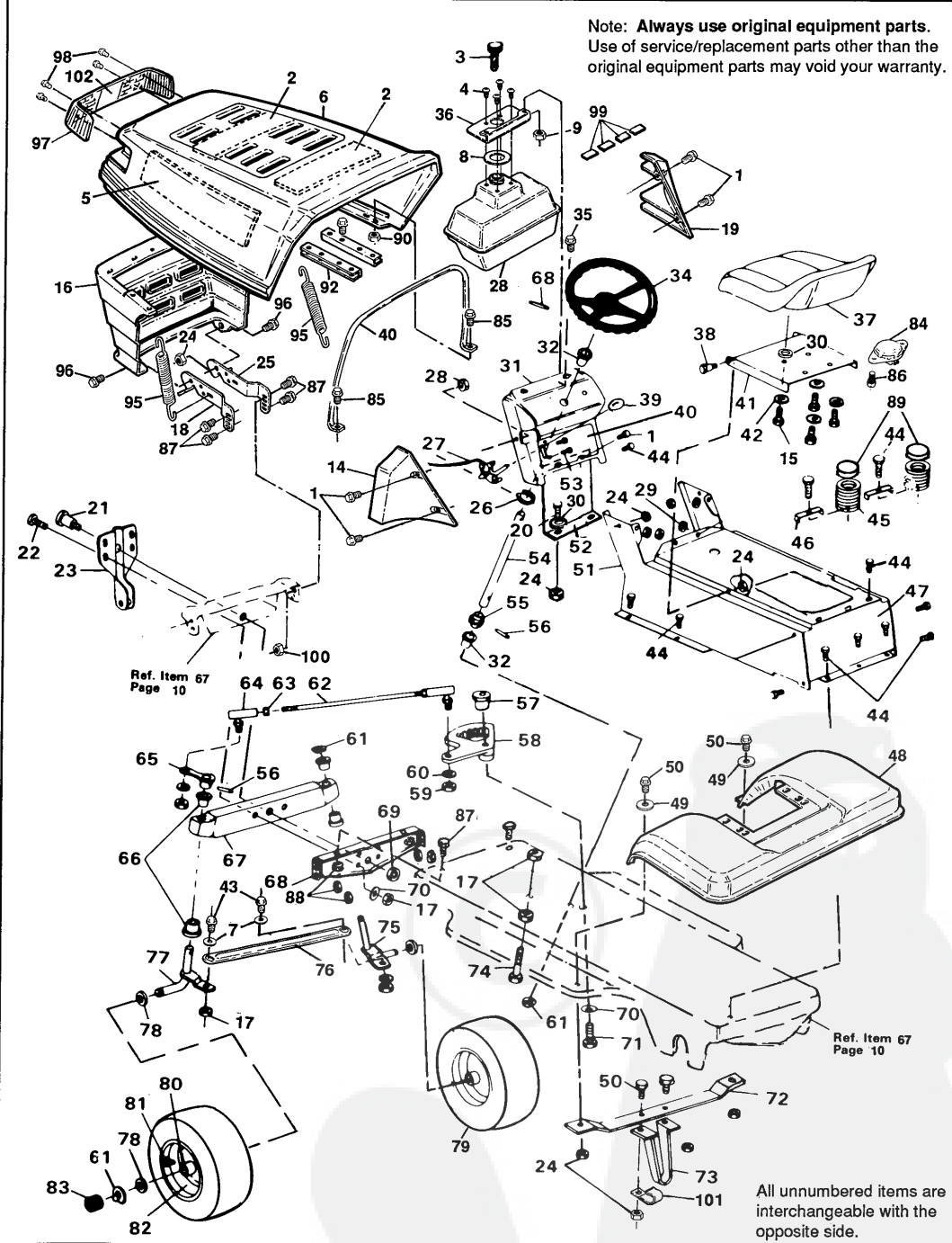
A handling fee is applicable to small parts orders.

Key No.	Part No.	Description	Key No.	Part No.	Description
1	305367	Muffler	51	40394	Hub Cap
2	54767	Deflector	52	1498	Locknut, 5/16 - 18 Thd.
3	173063	Screw 5/16-18 x 3.50	53	7707	Bracket, Axle
4	46708	Gasket	54	302967	Speed Reducer
5	302601	Spacer	55	122017	Screw, Hex Hd, 5/16 - 18 x 3/4 In.
6	302967	Speed Control	56	4107	Washer
7	41008	Clip, Gas Line	57	41890	Shoulder Bolt
8	47452	Gas Line	58	1499	Locknut, Hex, 3/8 - 16 Thd.
9	57444	Wire Tie	59	39659	Belt, Retainer
10	54873	Trough, Oil Drain	60	43980	Rod, Clutch
11	Engine	See Footnote Below	61	303031	Pulley, Idler
12	304246	Spacer, Engine Pulley	62	274517	Flatwasher, 25/64 In.
13	33200	Key, Engine Pulley	63	1306	Idler Arm
14	120393	Flatwasher, 5/16 In.	64	45892	Carriage Bolt, 3/8 - 16 x 1-1/2 In.
15	271184	Nut, Hex Keps, 5/16 - 18 Thd.	65	49276	Spring, Main Drive
16	304330	Pulley, Engine	66	304033	Foot Pad, L.H.
17	173063	Screw, 5/16 - 18 Hex	67	9791	Main Frame
18	120383	Lockwasher, Split, 7/16 In.	68	41529	Locknut, 3/8 - 16 Thd.
19	123567	Screw, Hex Hd, 7/16 - 20 x 1 In.	69	54888	Retainer, Wire
20	49896	Belt Guide, Trans. Drive Belt	70	45602	Washer
21	50653	Belt Guide, Blade Drive	71	304032	Foot Pad, R.H.
22	271190	Nut, Hex Keps, 3/8 - 16 Thd.	72	138485	Washer, External Lock, 5/16 In.
23	138489	Washer, External Lock, 3/8 In.	73	20507	Shoulder Bolt
24	50947	Screw, Tapitite, 3/8 - 16 x 1-1/4 In.	74	54723	Bracket, Brake Rod
25	50968	Belt Guard Assy.	75	54715	Rod, Brake
26	120228	Screw, Hex hd, 5/16 - 18 x 5/8 In.	76	302445	Plastic Tube
27	137185	Pin, Cotter, 1/8 x 1 In.	77	306891	"U" Clip
28	57480	Shift Bracket	78	305427	Belt Guard, R.H.
29	57157	Washer	79	50562	Spring, Clutch Pedal
30	56255	Screw, Nylock, 1/4 - 28 x 3/4 In.	80	121222	Cotter Pin, 3/32 x 3/4 In.
31	302600	Shaft, Brake-Clutch Pedal	81	302603	Brake Pedal Assy.
32	304438	Knob, Gear Shift	82	53979	Rubber Pad, Brake Pedal
33	302283	Shift Lever	83	55024	Retainer, Brake Pad
34	54758	V-Belt	84	120238	Jam Nut, 1/2 - 13 Thd.
35	302745	Pulley, Transaxle	85	20864	"E" Ring
36	3021	Key, Woodruff, no. 606	86	305395	Belt Guard, L.H.
37	22053	Retaining Ring	87	12563	Operator's Manual (Not Illustrated)
38	56568	Bracket, Stabilizer	88	309636	Parts Manual (Not Illustrated)
39	305410	Screw, 1/4 - 20 Hex			
40	35498	Screw, Hex Wa Tap, 5/16 - 18 x 3/4 In.			
41	39628	Key, 3/16 x 3/16 x 2-1/2 In.			
42	41104	Wheel & Tire Assembly			
43	24167	Valve Stem			
44	41106	Tire			
45	180089	Screw, Hex Hd, 5/16 - 18 x 2-3/4 In.			(^) Contact Tecumseh/Peerless authorized service dealer for parts and warranty.
46	Transaxle	Peerless 5 Speed, Model 920			(-) Contact engine manufacturer's authorized service dealer (see engine manual) for parts and warranty.
47	35410	Spring, Brake Return			(*) Standard hardware items - may be purchased locally.
48	642	Flatwasher			
49	36625	"E" Ring			
50	42815	Flatwasher			

Repair Parts

36" Lawn Tractor Model 3560-0270

Note: Always use original equipment parts.
Use of service/replacement parts other than the
original equipment parts may void your warranty.

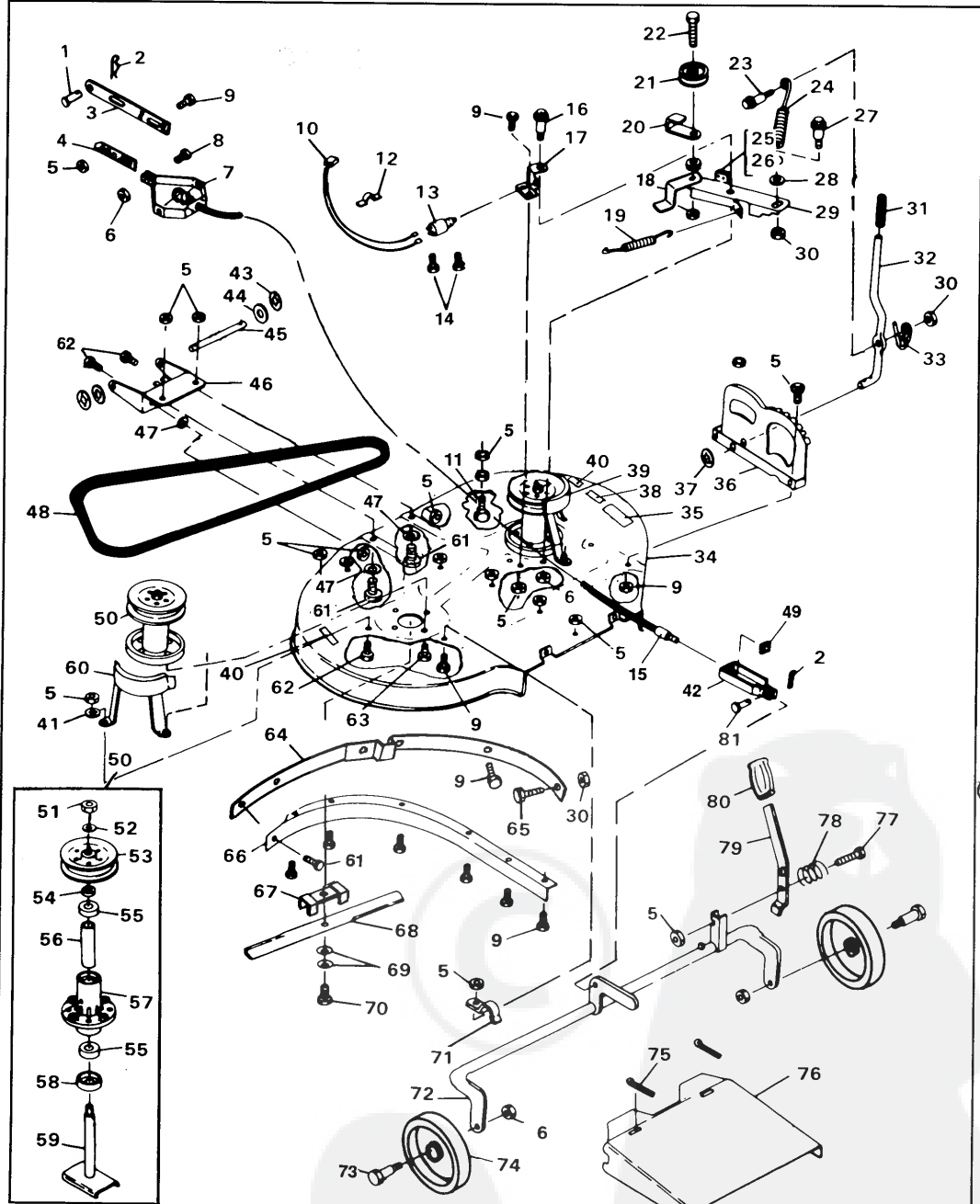


36" Lawn Tractor Model 3560-0270

Key No.	Part No.	Description	Key No.	Part No.	Description
1	274672	Screw, Hex Wa Hd, 1/4 - 20 x 5/8 In.	62	302689	Drag Link
2	305602	Foam Pad, Hood Top	63	124925	Nut, 3/8 - 24 Thd.
3	46704	Gas Cap	64	21275	Ball Joint
4	49050	Screw, Plastite, 1/4 - 10 x 3/4 In.	65	302705	Arm, Steering
5	305603	Foam Pad, Hood, R.H. & L.H.	66	50546	Bearing, Spindle
6	307032	Hood	67	9766	Front Axle Assembly
7	120382	Washer, 3/8 Split Lock	68	56362	Bracket, Front Axle Assembly
8	54885	Pad, Vibration	69	274654	Locknut, Hex, 1/4 - 20 Thd.
9	51335	Nut, 1/4-20	70	2483	Spring Washer
10	159943	Screw, #10-24 x .62	71	39573	Screw, Hex Hd, Lock, 3/8 - 24 x 1 In.
11	271166	Nut, #10-24	72	43964	Bracket, Deck Guide Support
12	120622	Nut, #8-32	73	301258	Bracket, Deck Guide
13	41482	Press Clip	74	49930	Upstop Bolt
14	302723	Dash Insert, L.H.	75	48846	Spindle, Right
15	122007	Screw, 5/16 - 18 x 3/4 Hex	76	302691	Tie Rod
16	302722	Grille	77	48847	Spindle, Left
17	1499	Locknut, 3/8 - 16 Thd.	78	642	Flatwasher, 3/4 In.
18	305539	Bracket, Grille Support, L.H.	79	39472	Tire Assembly
19	302723	Dash Insert, R.H.	80	39979	Bearing
20	120228	Screw, Hex Hd, 5/16 - 18 x 5/8 In.	81	24167	Valve Stem
21	50720	Shoulder Bolt, Axle Pivot	82	39829	Wheel w/ Bearing
22	122201	Screw, Hex Hd, 3/8 - 16 x 2-3/4 In.	83	40394	Hub Cap
23	8541	Bracket, Deck Hanger	84	57547	Seat Switch
24	1498	Locknut, 3/16 - 18 Thd	85	301542	Screw
25	300536	Bracket, Grille Support, R.H.	86	160505	Screw, 1/4 - 20 x 3/8
26	39492	Retaining Ring	87	56030	Screw, 5/16 - 18 x 5/8 Hex
27	303159	Lever, Throttle Control	88	55273	Nut, 5/16 - 18 Lock
28	302579	Gas Tank	89	302099	Spring Cover
29	1502	Locknut, Hex 1/4 - 20 Thd.	90	997316	Nut
30	120393	Flatwasher	91	35055	Screw, #10-24
31	305700	Dash Assembly	92	9783	Tie Bracket (Lower Grille)
32	54902	Bearing, Steering	93	304979	Reflector Lens R & L
33	456378	Spring Pin, 1/4 x 2-1/4 In.	94	300302	Screw, #10 Plastite
34	301251	Steering Wheel	95	57478	Spring
35	55686	Screw, Hex Hd, 1/4 - 20 x 5/8 In.	96	56676	Screw, 5/16-18 x 1 In.
36	9774	Bracket, Support, Gas Tank	97	305716	Lens
37	307661	Seat	98	57796	Screw, #6 CR Recess
38	20507	Shoulder Bolt	99	302502	Rubber Pads
39	300508	Knob, Throttle Control Lever	100	55273	Locknut, Hex Hd, 5/16-18 Thd.
40	307278	Support	101	57569	Wire Retainer
41	304761	Seat Bracket	102	307732	Decal, Lens, Center
42	120638	Lockwasher, Split, 5/16 In.			
43	122145	3/8 - 16 Screw			
44	995346	Screw, Taptite, 1/4 - 20 x 1/2 In.			
45	56220	Spring, Seat			
46	1341	Clip, Seat Spring			
47	8521	Cover, Rear Console			
48	7219	Fender Assembly			
49	446363	Flatwasher, 5/16 In.			
50	122017	Screw, Hex Hd, 5/16 - 18 x 1 In.			
51	8261	Console Assembly			
52	55537	Bulkhead, Console			
53	159585	Screw, Taptite, No. 8 - 32 x 3/8 In.			
54	44007	Shaft, Steering			
55	44009	Pinion Gear			
56	454565	Roll Pin			
57	44011	Shoulder Bolt, Sector Gear			
58	304245	Sector Gear			
59	120369	Nut, Hex, 3/8 - 24 Thd.			
60	120382	Lockwasher, Split, 3/8 In.			
61	36625	"E" ring			

Repair Parts

36" Lawn Tractor Model 3560-0270



Note: Always use original equipment parts. Use of service/replacement parts other than the original equipment parts may void your warranty.

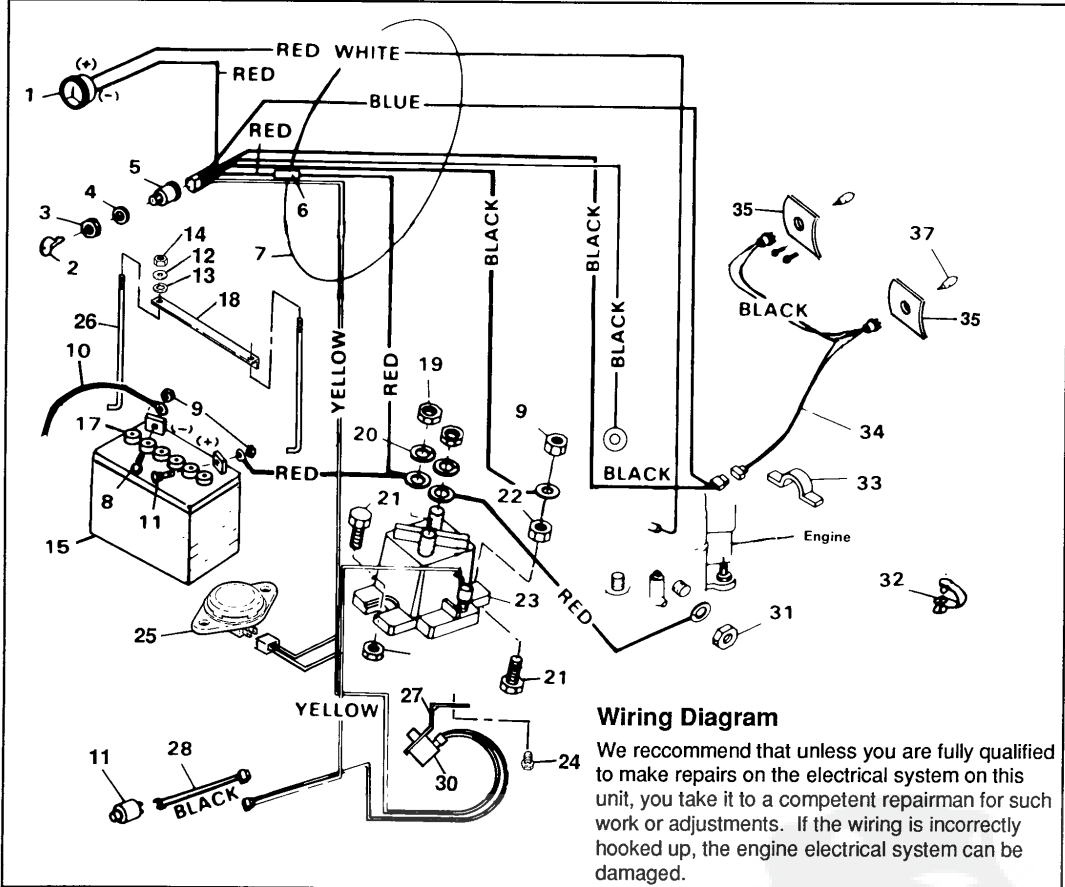
All unnumbered items are interchangeable with the opposite side.

36" Lawn Tractor Model 3560-0270

Key No.	Part No.	Description	Key No.	Part No.	Description
1	47816	Pull Pin	62	122017	Screw, Hex Hd, 5/16 - 18 x 1 In.
2	56180	Cotter Pin	63	50634	Screw, Taptite, 5/16 - 18 x 7/8 In.
3	49059	Bar Hitch	64	56838	Baffle
4	49058	Lock Bracket	65	120854	Screw, Hex Hd, 1/4 - 20 x 5/8 In.
5	1498	Locknut, 5/16 - 18 Thd.	66	55655	Baffle, L.H.
6	1499	Locknut, Hex, 3/8 - 16 Thd.	67	50002	Spacer, Blade
7	50613	Pivot Bracket	68	56821	Blade, 18 In.
8	120918	Screw, Hex Hd, 3/8 - 16 x 1-1/2 In.	69	2483	Formed Washer
9	120228	Screw, Hex Hd, 5/16 - 18 x 5/8 In.	70	39573	Screw, Hex Hd, 3/8 - 24 x 1
10	57588	Wire Assembly	71	51985	Support, Pivot Tube
11	300345	Screw, Wa Tap 5/16-18 x 1.38	72	52613	Pivot Tube Assembly
12	57444	Wire Tie	73	23763	Wheel Axle
13	57476	Switch, Locknut	74	52584	Wheel
14	57220	Screw, No. 12	75	120123	Cotter pin
15	300341	Cable, Lift	76	50993	Chute Extension
16	47516	Shoulder Bolt	77	120696	Screw, Hex Hd, 5/16-18 x 2-1/4 In.
17	57514	Bracket, Idler Arm	78	53246	Spring
18	446363	Washer	79	50027	Lever, Height Adjust
19	35410	Spring	80	20250	Hand Grip
20	52695	Belt Retainer	81	39522	Pin, Clevis
21	303028	Pulley, Idler			
22	122168	Screw, Hex Hd, 3/8 - 16 x 1-3/4 In.			
23	1289	Shoulder Bolt			
24	52636	Spring, Clutch Lever			
25	306973	Brake Pad			
26	41601	Rivet, Brake Pad			
27	46563	Shoulder Bolt			
28	120392	Flatwasher, 1/4 In.			
29	53055	Idler Arm Assy. (Incl. Nos. 25 & 26)			
30	1502	Locknut, 1/4 - 20 Thd.			
31	46478	Hand Grip			
32	305383	Lever, Clutch			
33	46561	Spring, Clutch Lever			
34	305463	Mower Deck			
35	68901	Decal, Height Adjust			
36	53247	Quadrant			
37	53697	Push Nut			
38	68900	Decal, Blade Engage			
39	46364	Cover, Pulley, R.H.			
40	68902	Decal, Caution			
41	306893	Bracket, Brake Rod			
42	9405	Lift Cable			
43	20864	"E" Ring			
44	996425	Flatwasher			
45	55724	Pin, Pivot			
46	48676	Lift Support, Plate Assembly			
47	996416	Flatwasher, 3/8 In.			
48	308701	V-Belt			
49	120372	Square Nut, 1/4 - 20 Thd.			
50	56424	Quill Assembly			
51	1282	Nut 7/16 - 20			
52	56365	Flatwasher			
53	56390	Pulley			
54	51449	Spacer			
55	49562	Bearing			
56	50818	Spacer			
57	55547	Quill Housing			
58	50616	Dust Shield			
59	56425	Saddle & Shift Assembly			
60	46365	Cover, Pulley, L.H.			
61	122007	Screw, Hex Hd, 5/16 - 18 x 3/4 In.			

Repair Parts

36" Lawn Tractor Model 3560-0270



Key No.	Part No.	Description
1	39463	Ammeter
2	300626	Key, Ignition Switch
3	48140	Locknut, (Switch Part)
4	138557	Lockwasher, (Switch Part)
5	300687	Switch, Ignition
6	302031	Fuse
7	57643	Wire Harness Assembly
8	120854	Carriage Bolt, 1/4 - 20 x 5/8 In.
9	271172	Nut, Keps, 1/4 - 20 Thd.
10	55511	Ground Wire
11	57476	Deck Switch
12	120392	Flatwasher, 9/32 In.
13	120380	Lockwasher, Split, 1/4 In.
14	120375	Nut, Hex, 1/4 - 20 Thd.
15	302257	Battery
16	57569	Wire, Retainer
17	40892	Cap, Battery
18	56360	Bracket, Battery, Hold-Down
19	120368	Nut, Hex, 5/16 - 24 Thd.

Key No.	Part No.	Description
20	138485	Washer, Shakeproof
21	187745	Screw, Hex Hd, 1/4 - 20 x 3/4 In.
22	1502	Locknut, Hex, 1/4 - 20 Thd.
23	53716	Solenoid
24	995346	Screw, 1/4 - 20 x 1/2 Tap
25	57547	Seat Switch
26	40234	Battery Rod
27	300220	Switch, Lockout
28	57588	Wire Assembly, Deck Switch
29	52572	Bulb, Headlight
30	302610	Bracket, Switch Mounting
31		Engine Part
32	54888	Retainer, Wire
33	41482	Wire Clip, Press
34	303064	Lead Wire, Headlight