

REPAIR PARTS MANUAL 36" - 11 H.P. RIDING MOWER MODEL 3560-0380

ONE YEAR LIMITED WARRANTY

For one (1) year from date of purchase by the first consumer for residential use (thirty (30) days commercial use), NOMA Outdoor Products Incorporated warrants that it will replace free of charge, including labor, any original part of any NOMA Outdoor Products Incorporated product found to be defective by any authorized Service Dealer or the factory, except the battery which is warranted for ninety (90) days from date of purchase.

This warranty does not cover engine, transmission, transaxle or differential (these items are covered by their manufacturer's own warranty). This warranty does not cover parts that have failed due to normal wear or parts that have failed subject to misuse or abuse. Transportation of the unit or part to and from an authorized Service Dealer or factory is the responsibility of the owner.

A step by step explanation as to what procedure should be followed for this Warranty is:

1. If a part becomes defective, contact the store where the unit was purchased for the name and address of the authorized Service Dealer nearest to you.
2. If you cannot locate an authorized Service Dealer, write Service Department of NOMA Outdoor Products Incorporated for the name and address of the authorized Service Dealer in your area or call the Service Department at 1-901-422-1690.
3. Return the defective product, along with proof of purchase to such authorized Service Dealer for replacement of any defective part where covered by this warranty.

There is no other express warranty. Implied warranties, including those of merchantability and fitness for a particular purpose are limited to one (1) year from date of purchase. Liability for incidental or consequential damages are excluded.

Some states do not allow limitations on how long an implied warranty lasts, so the above limitation may not apply to you. Some states do not allow the exclusion of incidental or consequential damages, so the above exclusion may not apply to you. This warranty gives you specific legal rights, and you may have other rights which vary from state to state.

NOMA Outdoor Products Incorporated

Call 8000

Jackson, TN 38308-8000

UNIT PARTS AND SERVICE

This manual contains instructions for safety, assembly and maintenance. Read this manual carefully and completely so that you will know proper assembly, use and care of your unit. Also fill in and mail the registration card packed with the unit. For service other than covered in this manual, contact an authorized service dealer. A nationwide parts and service organization has been established to provide locally available parts and service. A list of authorized parts distributors has been included in this manual. When ordering repair parts, always give the following information: 1. The Part Name; 2. The Part Number; 3. The Quantity desired; 4. The Full (eight digit) Model Number of the unit. The model number will be found on a plate attached to the unit.

Look for this symbol.



It means - ATTENTION! BECOME ALERT! A HAZARD TO OPERATOR, BYSTANDER, PROPERTY OR EQUIPMENT MAY EXIST.

NOMA Outdoor Products Incorporated
Call 8000

Jackson, TN 38308-8000

Part No. 307930

2789



OPERATIONAL PRECAUTIONS



THESE INSTRUCTIONS ARE FOR YOUR PROTECTION. PLEASE READ THEM CAREFULLY.

1. Know the controls and how to stop quickly. READ THIS OPERATOR'S MANUAL and instructions furnished with attachments.
2. Wear safety glasses or eye shields when assembling or operating riding mower.
3. Do not allow children to operate the machine. Do not allow adults to operate it without proper instruction.
4. Do not carry passengers. Do not mow when children and others are around. Disengage power to blade(s) or attachment(s) and stop the engine while others are in the vicinity of the mower.
5. Battery fluid (electrolyte) is an ACID and is extremely dangerous. Do not smoke while servicing the battery. Do not service the battery near a open flame or spark.
6. Handle gasoline with care, it is highly flammable.
 - A. Use approved gasoline container.
 - B. Never remove the fuel cap of, or add gasoline to, a running or hot engine, or an engine that has not been allowed to cool for several minutes after running. Never fill the tank indoors and always clean up spilled fuel immediately.
 - C. Do not smoke while filling fuel tank.
 - D. Do not run the engine indoors. Open doors if engine must be run in garage. Exhaust fumes contain CARBON MONOXIDE, an ODORLESS and DEADLY GAS.
7. Check fuel supply before each use allowing space for expansion as the heat of the engine and/or sun can cause gasoline to expand.
8. Do not operate mower when barefooted. Always wear substantial footwear, preferably steel-toed shoes. Do not wear loose fitting clothing that could get caught in moving parts.
9. Clear the work area of objects (wire, rocks, etc.) which might be picked up and thrown. Check all controls for proper function.
10. Disengage all attachment clutches, shift to neutral, and set parking brake before attempting to start the engine (motor). When starting engine equipped with a pull starter, stand firm and make sure your feet are well away from the blade(s).
11. Disengage power to blade(s) or other attachment(s) and stop the engine (motor) before leaving the operator's position. Always dismount from the left side.
12. Disengage power to blade(s) or other attachment(s) and stop the engine (motor) before making any repairs or adjustments.
13. Disengage power to blade(s) or other attachment(s) when transporting or not in use.
14. Take all possible precautions when leaving the vehicle unattended, such as disengaging power to blade(s) or attachment(s), lower the attachment(s), setting the parking brake, stopping the engine (motor), and removing the key.
15. Do not stop or start suddenly when going uphill or downhill. Mow up and down the face of steep slopes; never across the face.
16. Reduce speed and exercise extreme caution on slopes and in sharp turns to prevent tipping or loss of control. Be especially cautious when changing direction on slopes.
17. Stay alert for holes, rocks, and roots in the terrain and other hidden hazards. Keep away from drop-off. Never operate your riding mower on wet or slippery grass or at a speed which could cause a skid. Exercise care when mowing around a fixed object to prevent the blade(s) from striking it. Never deliberately run over any foreign object.
18. Always disengage blade control lever before attempting to remove the mower from a hole or other obstruction.
19. Use care when pulling loads or using heavy equipment.
 - A. Use only approved drawbar hitch points.
 - B. Limit loads to those that you can safely control.
 - C. Do not turn sharply. Use care when backing.
 - D. Use counterweight(s), wheel weights or tire chains when suggested in attachment(e) instructions.
20. Watch for traffic when crossing or near roadways.
21. When using attachment(s), never direct discharge of material toward bystanders nor allow anyone near the vehicle while in operation.
22. Keep the vehicle and attachments in good operating condition, and keep safety devices in place and in working condition.
23. Keep all nuts, bolts, and screws tight to be sure the equipment is in safe working condition.
24. Never store the equipment with gasoline in the tank inside a building where fumes may reach an open flame or spark. Allow the engine to cool before storing in any enclosure.
25. To reduce fire hazard, keep the engine free of grass, leaves or excessive grease.
26. The vehicle and attachments should be stopped and inspected for damage after striking a foreign object, and the damage should be repaired before restarting and operating the equipment.
27. Do not change the engine governor settings or over-speed engine.
28. When using the vehicle with mower, proceed as follows:
 - A. Mow only in daylight or in good artificial light.
 - B. Never make a cutting height adjustment while the engine (motor) is running if the operator must dismount to do so.
 - C. Shut the engine (motor) off when removing the grass catcher or unclogging chute.
 - D. Check the blade mounting bolts for proper tightness at frequent intervals.
29. Under normal usage, the grass catcher bag material is subject to deterioration and wear. Check the bag frequently for deterioration and wear and replace worn bags. Check that replacement bags comply with the original manufacturer's recommendations or specifications.
30. Disengage power to mower before backing up. Do not mow in reverse unless absolutely necessary and then only after careful observation of the entire area behind the mower.

OWNER'S INFORMATION

Record the following information about your unit so that you will be able to provide it in case of loss or theft.

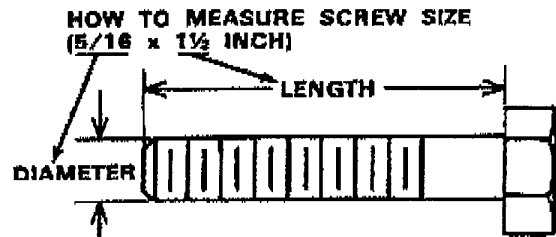
MODEL NUMBER: - (Enter complete 8 digit number from model plate on unit)
 PURCHASE DATE: ___ / ___ / ___ CODE NO.: _____ SERIAL NO.: _____
 DEALER'S NAME AND ADDRESS: _____
 CITY: _____ STATE: _____ TELEPHONE: _____

CONTENTS OF SHIPPING CARTON

- 1 - Tractor (with 30 inch deck)
- 1 - Operator's Manual
- 1 - Repair Parts Manual
- 1 - Engine Manual
- 1 - Steering Wheel (with roll pin partially installed)
- 1 - Seat
- 1 - Chute Deflector
- 2 - $\frac{5}{16}$ - 18 x $\frac{1}{8}$ inch Hex Head Bolt
- 2 - $\frac{5}{16}$ - 18 inch Lock Nuts
- 1 - Battery
- 1 - Bag of Assembly Parts Containing:
 - 1 - Oil Drain Trough
 - 1 - Battery Hold-Down Bracket
 - 2 - Battery Hold-Down Rod
 - 1 - Bag of Battery Hold-Down Parts Containing:
 - 2 - $\frac{9}{32}$ inch Flatwasher
 - 2 - $\frac{11}{64}$ inch Split Lockwasher
 - 2 - $\frac{1}{4}$ - 20 inch Hex Nut
 - 1 - Bag of Battery Cable Installation Parts Containing:
 - 2 - $\frac{1}{4}$ - 20 x $\frac{5}{8}$ inch Hex Head Screws
 - 2 - $\frac{1}{4}$ - 20 inch Keps, Nuts (star washer attached)
 - 1 - Bag of Seat Mounting Parts Containing:
 - 4 - $\frac{3}{16}$ - 18 x $\frac{1}{4}$ inch Hex Head Screws
 - 4 - $\frac{21}{64}$ inch Split Lockwashers
 - 4 - $\frac{11}{32}$ inch Flatwashers

TOOLS REQUIRED FOR ASSEMBLY

- 1 - $\frac{7}{16}$ inch Wrench (or adjustable wrench)
- 1 - $\frac{1}{2}$ inch Wrench (or adjustable wrench)
- 1 - $\frac{3}{4}$ inch Wrench (or adjustable wrench)
- 1 - Hammer



⚠ DANGER ⚠

This riding mower can be dangerous if carelessly used. Read your Owner's Manual thoroughly before operating your riding mower.

Always wear safety glasses or eye shields while assembling or operating your riding mower.

DO NOT carry passengers at any time.

Keep your hands, feet, hair and loose clothing away from the discharge area, the underside of the mower deck or any moving parts while the engine is running.

DO NOT allow children or young teenagers to operate or be near your riding mower while it is operating.

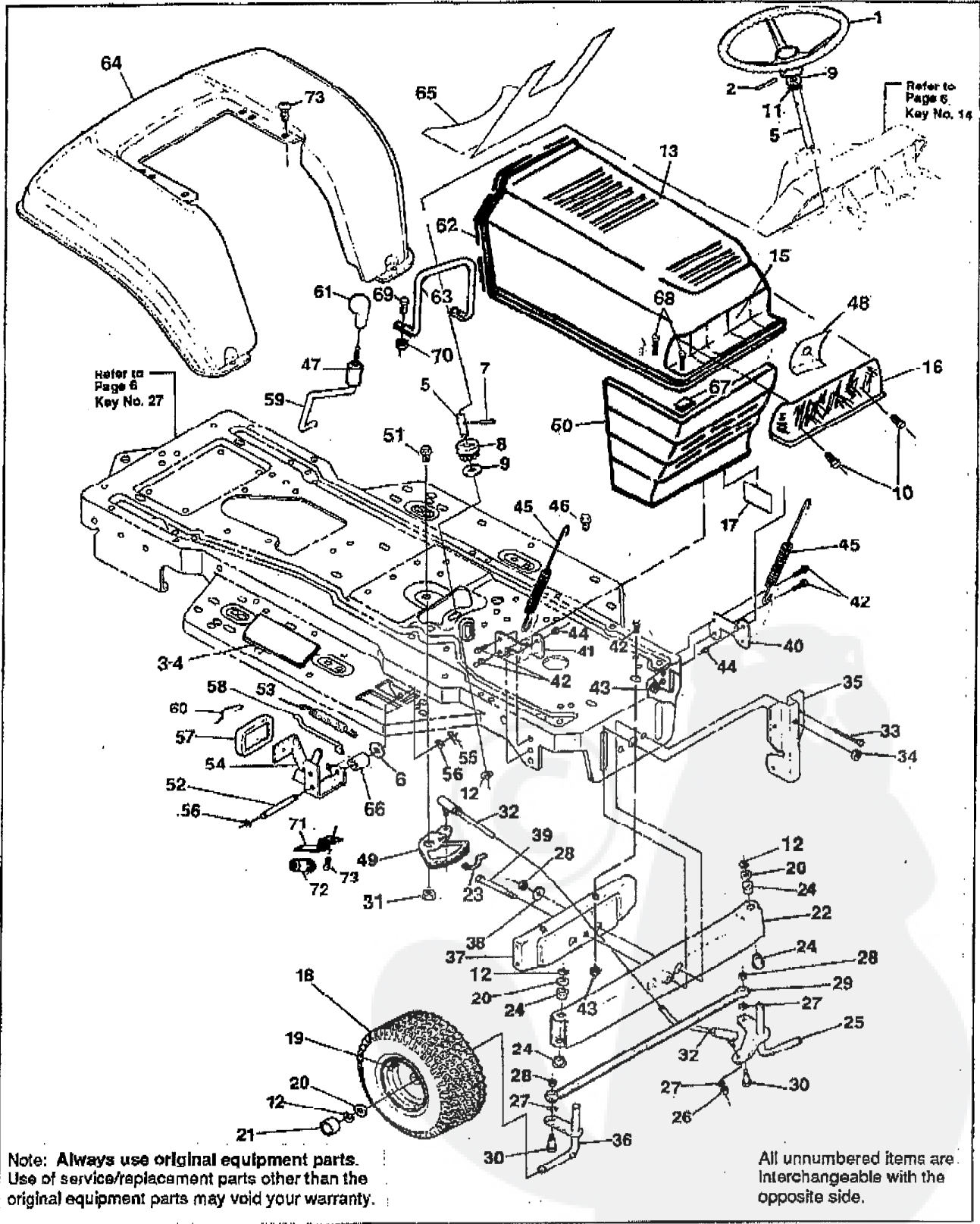
NOTICE

For packaging purposes, the knob may have been removed from the mower clutch lever and placed in the parts bag. Please screw the knob onto the mower clutch lever and tighten it securely.

For packaging purposes, the battery may have been installed on your unit. The battery must be removed from your machine to be serviced. See the **Battery Removal** paragraph in your Operator's Manual for removal instructions.

REPAIR PARTS

36" RIDING MOWER MODEL 3560-0380



36" RIDING MOWER MODEL 3560-0380

Always give the following information when ordering repair parts:

1. The **PART NUMBER**;
2. The **PART NAME**;
3. The **QUANTITY DESIRED**;
4. The **MODEL NUMBER** (As shown on Model Plate).

Send your part orders per the instructions on the front page.

To tell if a part is the right or left handed one, stand behind your mower.

Do not use the key numbers when ordering repair parts, always use the part numbers.

All replacement parts will be supplied in current production colors or in a neutral color.

A handling fee is applicable to small parts orders.

Key No.	Part No.	Description	Key No.	Part No.	Description
1	301251	Steering Wheel	44	1498	Locknut, Hex Hd, 5/16 - 18 Thd.
2	466378	Spring Pin	45	57478	Extension Spring
3	304033	Foot Pad, L.H.	46	300302	Screw, Plastite #10
4	394932	Foot Pad, R.H.	47	302445	Tube, Plastic, Shift Lever
5	44008	Steering Shaft	48	307732	Decal, Center Lens
6	120393	Flatwasher	49	304245	Steering Sector
7	454656	Dowel Pin	50	302722	Grill
8	44009	Steering Pinion	51	44011	Shoulder Bolt
9	54902	Bearing, Steering (Upper & Lower)	52	302600	Brake Clutch Pedal Shaft
10	57796	Screw, #6 OR Recess	53	50562	Spring, Clutch Pedal
11	39492	Retaining Ring	54	302603	Pedal Assembly
12	36625	E-Ring	55	121222	Cotter Pin, 3/32 x 3/4
13	305845	Hood	56	20864	Retaining Ring
14	56676	Shoulder Bolt	57	53979	Rubber Brake Pedal Pad
15	304979	Reflector, Decal	58	43980	Clutch Rod
16	305718	Headlamp Lens	59	302283	Shift Lever
17	301452	Decal, Heat Reflector	60	55024	Retainer 3"
18	39472	Tire & Rim	61	304438	Shift Knob
19	24167	Valve Stem	62	302502	Rubber Pads Under Hood
20	642	Washer	63	307278	Support, Dash Hood
21	40394	Hub Cap	64	308003	Fender
22	63699	Front Axle	65	301104	Decal, Shift Caution
23	54888	Wire Retainer	66	302601	Spacer
24	50546	Spindle Bearing	67	9789	Tie Bracket, Hood
25	48847	Spindle, L.H.	68	35055	Screw, Taptite #10 - 24 x 1/2 In.
26	120369	Nut, Hex, 3/8 - 24 Thd.	69	301542	Screw, #10 - 24 x 1 In.
27	120392	Lockwasher, Split 3/8 In.	70	997316	Nut, Hex #10 - 24 Thd.
28	1499	Nut, Hex Lock 3/8 - 16	71	302610	Bracket, Switch
29	302691	Tie Rod	72	300220	Switch, Brake-Clutch Pedal
30	122145	Screw, Hex Lock 3/8 - 16 x 1 - 1/4 In.	73	995346	Screw, Taptite 1/4 - 20 x 1/2 In.
31	39573	Screw, 3/8 - 24 x 1 In.			
32	302689	Drag Link			
33	122201	Screw, Hex Hd, 3/8 - 16 x 2 - 3/4 In.			
34	274654	Locknut, Hex Hd, 1/4 - 20 Thd.			
35	307073	Hanger Bracket			
36	48846	Spindle, R.H.			
37	56362	Front Axle Support Bracket			
38	2483	Spring Washer			
39	50720	Shoulder Bolt, Hex Hd 1/2 - 20 x 2 - 7/8			
40	305535	Grill Bracket, L.H.			
41	305536	Grill Bracket, R.H.			
42	56030	Screw, Hex Hd, Flange Lock 5/16 - 18 x 3/4 In.			
43	55273	Nut, Hex Flange Lock 5/16 - 18 Thd.			

(*) Standard Hardware Items - May Be Purchased Locally

(~) Contact Engine Manufacturer's authorized service dealer (See Engine Manual) for parts and warranty.

(^) Contact Tecumseh/Peerless authorized service dealer for parts and warranty

REPAIR PARTS

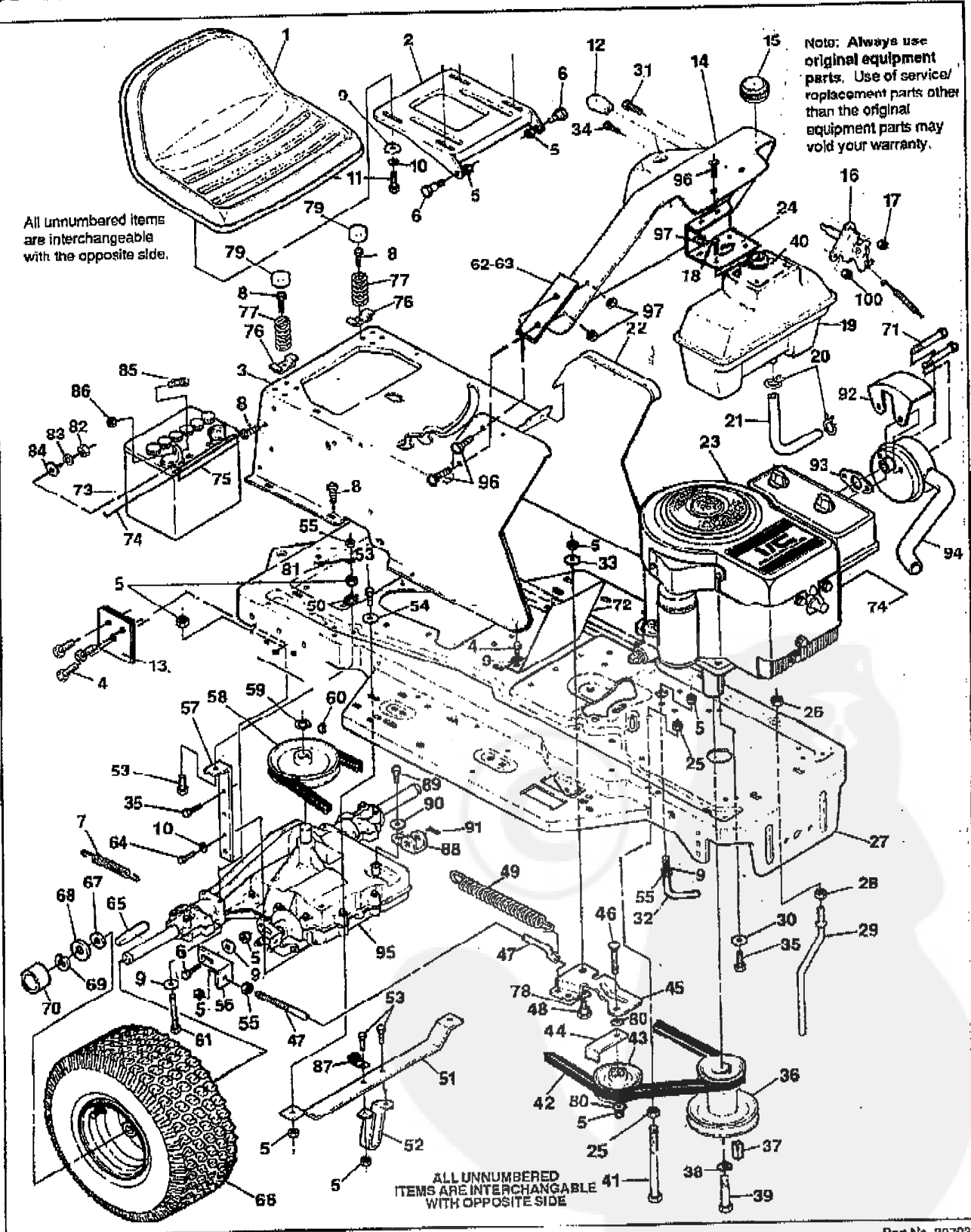
36" RIDING MOWER MODEL 3560-0380

Note: Always use original equipment parts. Use of service/replacement parts other than the original equipment parts may void your warranty.

All unnumbered items are interchangeable with the opposite side.

ALL UNNUMBERED ITEMS ARE INTERCHANGEABLE WITH OPPOSITE SIDE

Part No. 307930



36" RIDING MOWER MODEL 3560-0380

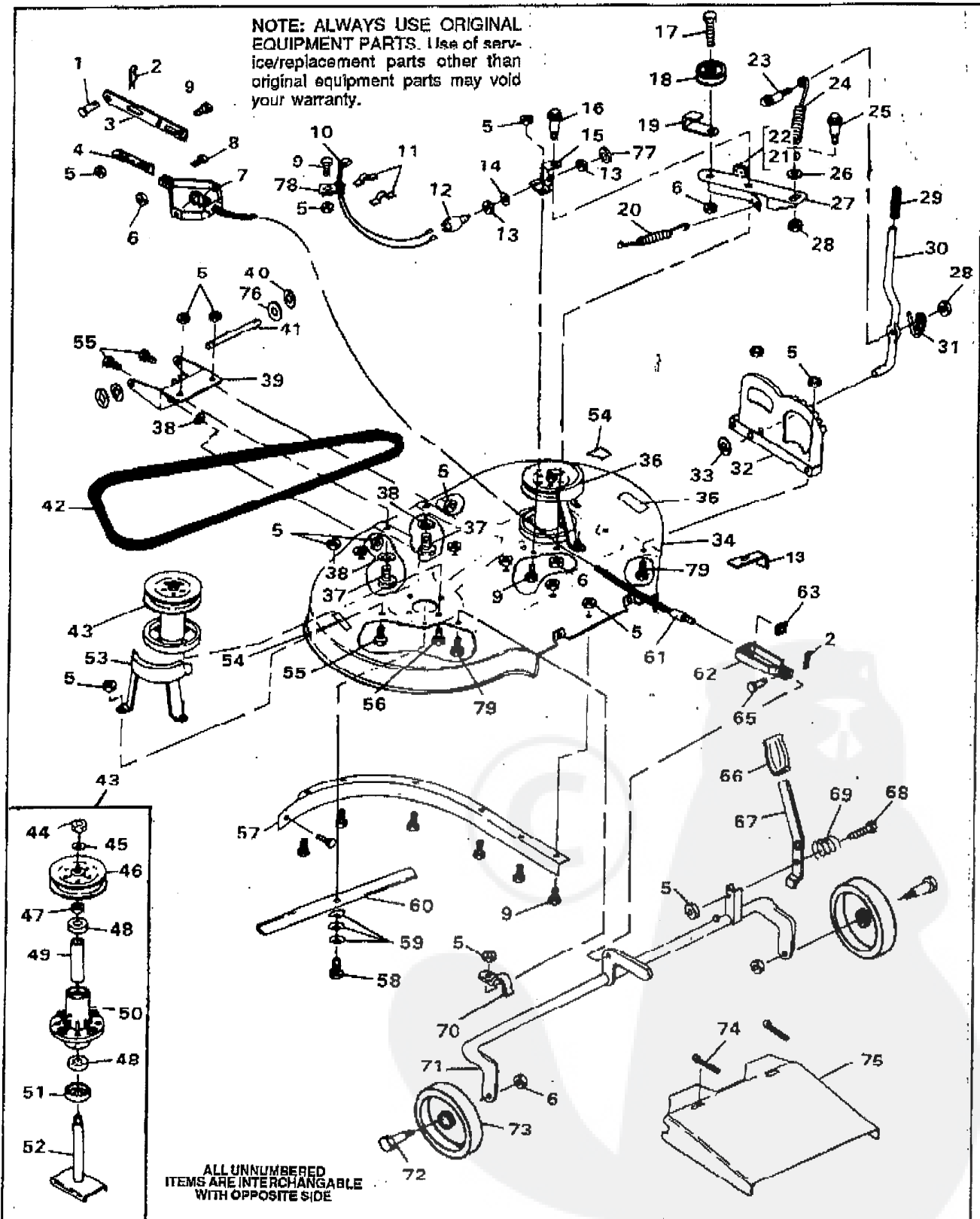
Key No.	Part No.	Description	Key No.	Part No.	Description
1	304314	Seat	51	43964	Guide Support
2	305287	Seat Plate	52	301258	Mower Deck Guide
3	8525	Console, Rear Cover	53	122017	Screw, Hex Hd, 5/16 - 18 Thd.
4	120228	Screw, 5/16 - 18 x 5/8 In.	54	446363	Flatwasher
5	1498	Locknut, Hex 5/16 - 18 Thd.	55	271184	Nut, Keps 5/16 - 18 Thd.
6	20507	Shoulder Bolt	56	54723	Brake Rod Bracket
7	35410	Spring, Brake Return	57	56568	Stabilizer Bracket
8	995346	Screw, 1/4 - 20 x 1/2 In.	58	302745	Pulley
9	120393	Washer, Flat	59	22053	Retaining Ring
10	120698	Lockwasher, 5/16 In.	60	3021	Woodruff Key
11	122007	Screw, 5/16 - 18 x 3/4 In.	61	180069	Screw, Hex Hd, 5/16 - 18 x 2-1/4 In.
12	300508	Knob, Round Black	62	302723	Dash, Insert L.H.
13	7707	Axle Bracket	63	302724	Dash, Insert R.H.
14	305434	Dash Board	64	35498	Screw, Hex Tap 5/16 - 18 x 3/4 In.
15	50988	Gas Cap	65	39628	Key, Square, 3/16 x 2-1/2 In.
16	303159	Throttle Control	66	41104	Tire & Rim
17	271166	Nut, Keps No. 10 - 24 Thd.	67	842	Washer
18	49050	Screw, 1/4 - 10 Thd. 9/4 In.	68	42185	Washer
19	302579	Gas Tank	69	36825	E-Ring
20	41008	Clamp, Gas Line	70	40394	Hub Cap
21	47452	Gas Line	71	170063	Screw, Hex Hd, 5/16 - 18 x 3-1/2 In.
22	306928	Console	72	55535	Bulkhead, Console
23		~Engine	73	302257	Battery
24	9774	Bracket, Gas Tank Top	74	40234	Battery Rod
25	1499	Locknut, 3/8 - 18 Thd.	75	56360	Battery, Hold Down Rod
26	41529	Nut, Hex Jam 3/8 - 16 Thd.	76	1341	Spring Clamp
27	12543	Frame	77	56220	Seat Spring
28	271190	Nut, Keps 3/8 - 16 Thd.	78	4107	Washer
29	50653	Belt Guide	79	302099	Seat Spring Cover
30	138489	Star Washer	80	274517	Washer
31	159943	Screw, #10 - 24	81	55511	Ground Wire
32	49896	Belt, Drag Link Guide	82	120375	Nut, Hex Keps, 1/4 - 20 Thd. x 3/4 In.
33	45602	Flatwasher	83	120380	Lockwasher, 1/4 Split
34	159585	Screw, #8 - 32 x .38	84	120392	Flatwasher
35	50947	Screw, Hex Tap 3/8 - 16 x 1 - 1/4 In.	85	120854	Screw, Hex Hd, 1/4 - 20 x 5/8 In.
36	304330	Pulley Assembly, Engine	86	271172	Nut, Hex Keps, 1/4 - 20 Thd.
37	33200	Key	87	57569	Wire Retainer
38	120383	Lockwasher, Split Lock 7/8 In.	88	57480	Shift Bracket
39	123567	Screw, Hex Hd, 7/16 - 20 x 1 In.	89	56255	Screw, Hex Hd, Nylon 1/4 - 28 x 3/4 In.
40	54885	Pad, Top Gas Tank	90	57157	Special Washer
41	49930	Screw, Hex Hd, 3/8 - 16 x 7 - 1/2 In.	91	137185	Nut, Hex Keps, 1/4 - 20 In.
42	54758	V-Belt	92	54767	Heat Shield
43	303031	Idler Pulley	93	48708	Muffler Gasket
44	39659	Strap Belt Retainer	94	305367	Muffler
45	1306	Idler Arm Bracket	95	302968	^Transaxle, 5 Speed, P920
46	45992	Carriage Bolt	96	274072	Screw, Hex Hd, 1/4 - 20 x 5/8 In.
47	54715	Brake Rod	97	51335	Locknut, 1/4 - 20 Wide Flange
48	41890	Shoulder Bolt	98	307930	Repair Parts Manual (Not Illustrated)
49	49276	Spring, Main Drive	99	307127	Operator's Manual (Not Illustrated)
50	138485	Star Washer	100	120622	Nut, #8 - 32

(^) Contact Tecumseh/Peerless authorized service dealer for parts and warranty.
 (~) Contact engine manufacturer's authorized service dealer (see engine manual) for parts and warranty.

REPAIR PARTS

36" RIDING MOWER MODEL 3560-0380

NOTE: ALWAYS USE ORIGINAL EQUIPMENT PARTS. Use of service/replacement parts other than original equipment parts may void your warranty.



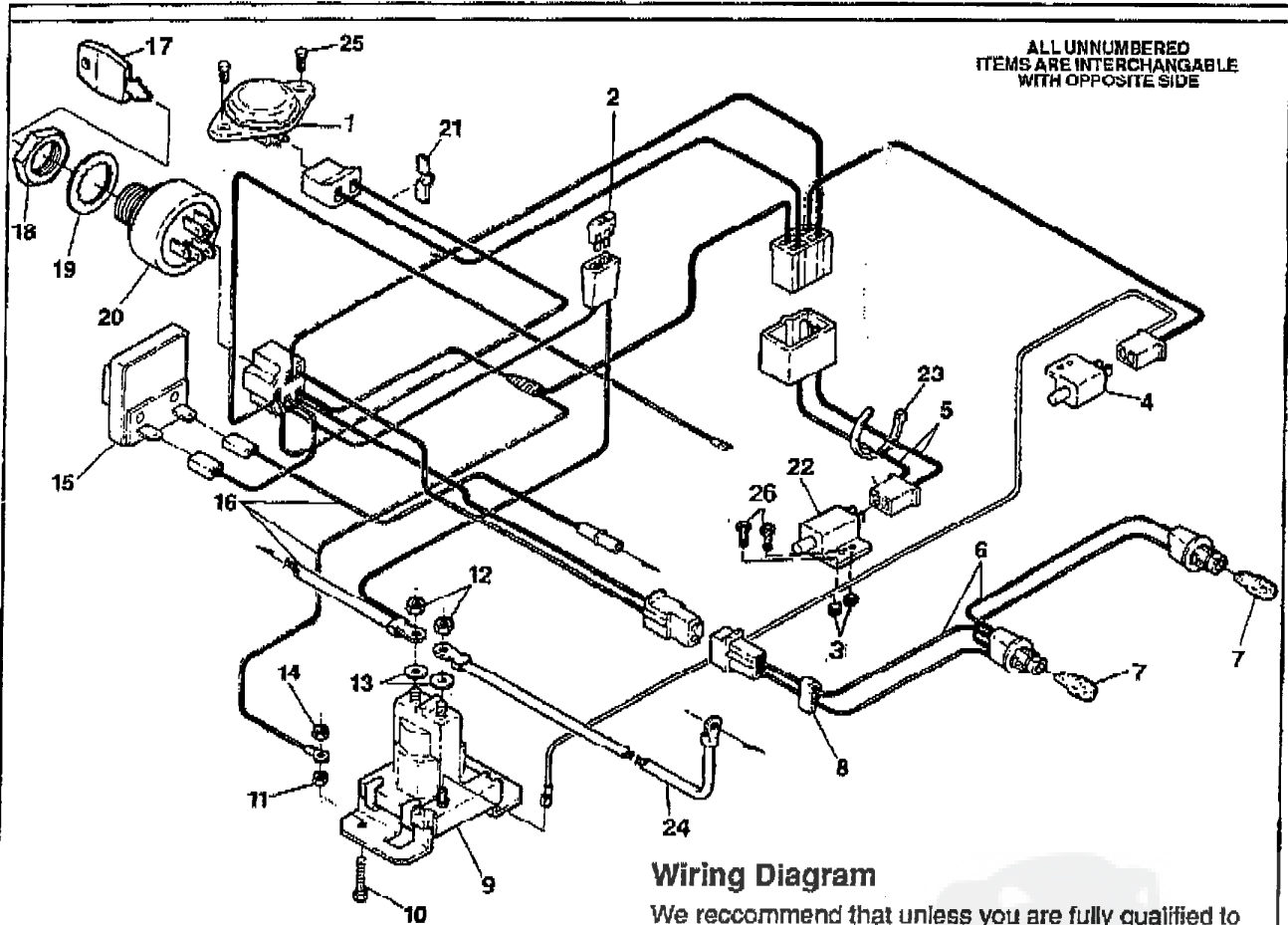
36" RIDING MOWER MODEL 3560-0380

Key No.	Part No.	Description	Key No.	Part No.	Description
1	47816	Pull Pin	41	55724	Pin, Pivot
2	56180	Hairpin Cotter	42	30870	V-Belt
3	49059	Bar Hitch	43	56424	Quill Assy. (Incl. Nos. 44 - 52)
4	49058	Lock Bracket	44	1282	Locknut, Flange, 7/16-20 Thd.
5	1498	Locknut, 5/16 - 18 Thd.	45	56385	Flatwasher
6	1499	Locknut, 3/8-16 Thd.	46	56390	Pulley
7	50613	Pivot Bracket	47	51449	Spacer
8	120918	*Screw Hex Hd. 3/8 - 16 x 1 1/2 In.	48	49562	Bearing
9	120228	*Screw, Hex Hd, 5/16-18 x 5/8 In.	49	50818	Spacer, Tube
10	57588	Wire Assembly	50	55547	Quill
11	57444	Wire Tie	51	50616	Dust Shield
12	57476	Switch, Lockout	52	56425	Saddle & Shaft Assy.
13	306898	Bracket	53	307549	Cover, Pulley L.H.
14	446363	Washer	54	68542	Decal, Caution
15	57514	Bracket, Idler Arm	55	122017	*Screw, Hex Hd. 5/16 - 18 x 1 In.
16	47516	Shoulder Bolt	56	50654	Screw, Hex Wa Tap, 5/16-18 x 7/8 In.
17	122168	*Screw, Hex Hd 3/8 - 16 x 1 3/4 In.	57	55655	Baffle L.H.
18	303028	Pulley Idler	58	39578	Screw, Hex Hd, 3/8-24 x 1 In.
19	7354	Belt, Retainer	59	2493	Spring Washer
20	35410	Spring	60	56821	Blade 18 In.
21	41601	Rivet, Brake Pad	61	300341	Lift Cable
22	306973	Brake Pad	62	9405	Clevis, Lift Cable
23	1289	Shoulder Bolt	63	120372	*Nut, Square, 1/4-20 Thd.
24	52836	Spring, Clutch Lever	64	56180	Hairpin Cotter
25	46563	Shoulder Bolt	65	39522	Pin, Clevis
26	120392	*Flatwasher 9/32 In.	66	20250	Hand Grip
27	53056	Idler Arm	67	307050	Height Adjust Lever
28	1502	Locknut, 1/4-20 Thd.	68	120696	*Screw, Hex Hd. 5/16 - 18 x 2 1/4 In.
29	46478	Grip, Clutch Lever	69	53246	Spring
30	305388	Clutch Lever	70	51965	Support, Pivot Tube
31	46561	Spring, Clutch lever	71	52613	Pivot Tube Assembly
32	53247	Quadrant	72	23763	Wheel Axle
33	53697	Push Nut	73	52584	Wheel, Deck
34	9989	Mower Deck	74	120123	*Cotter Pin, 1/8 x 1 1/4 In.
35	68901	Decal, Height Adjust	75	50993	Chute Extension
36	307548	Cover, Pulley R.H.	76	996425	Flatwasher
37	122007	Screw, Hex Hd. 5/16 - 18 x 3/4 In.	77	446363	Washer
38	996416	*Flatwasher, 3/8 In.	78	120834	Screw, 5/16 - 18 x 1/2
39	48676	Lift Support Plate	79	300345	Screw, Washer, Tap 5
40	20864	"E" Ring			

(*) Standard Hardware Items May Be Purchased Locally

REPAIR PARTS

36" RIDING MOWER MODEL 3560-0380



ALL UNNUMBERED
ITEMS ARE INTERCHANGABLE
WITH OPPOSITE SIDE

Wiring Diagram

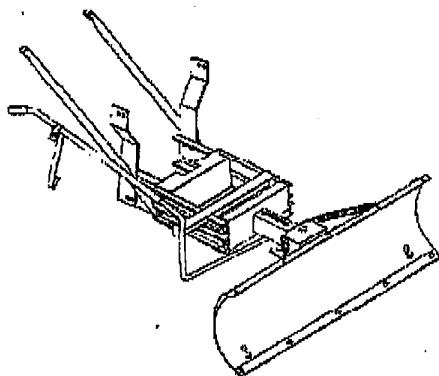
We recommend that unless you are fully qualified to make repairs on the electrical system on this unit, you take it to a competent repairman for such work or adjustments. If the wiring is incorrectly hooked up, the engine electrical system can be damaged.

NOTE: ALWAYS USE ORIGINAL EQUIPMENT PARTS. Use of service/replacement parts other than original equipment parts may void your warranty.

Key No.	Part No.	Description	Key No.	Part No.	Description
1	57547	Seat Switch	19	138557	Lockwasher (Ignition Switch Part)
2	302031	Fuse, 15 amp	20	300687	Switch, Ignition & Lights
3	271166	Nut, Hex Keps, No. 10-24 Thd.	21	41482	Press Clip
4	300220	Brake-Clutch Switch	22	57478	Deck Switch
5	57588	Deck Harness	23	57444	Wire Tie
6	303064	Headlight Harness	24	55511	Ground Wire
7	52572	Headlight Bulb	25	160505	Screw, Pan Hd, 1/4 - 20 x 3/8 In.
8	54888	Wire Retainer	26	159943	Screw, #10 - 24 x 5/8 In.
9	53716	Solenoid			
10	187745	Screw, Hex Hd, 1/4 - 20 x 3/4 In.			
11	1502	Nut, 1/4 - 20 Thd.			
12	120368	Nut, 5/16 - 24 Thd.			
13	198485	Washer, Shakeuproof			
14	271172	Nut, Keps 1/4 - 20 Thd.			
15	39463	Ammeter Gauge			
16	57643	Wire Harness			
17	300626	Key, Ignition Switch			
18	48140	Nut, (Ignition Switch Part)			

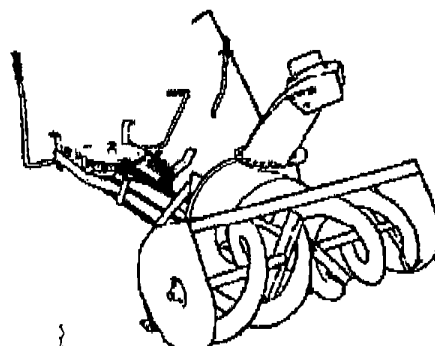
ACCESSORIES

Contact the dealer where your tractor was purchased for the available accessories. If you are unable to contact the dealer, write to the address on the front cover of this manual.



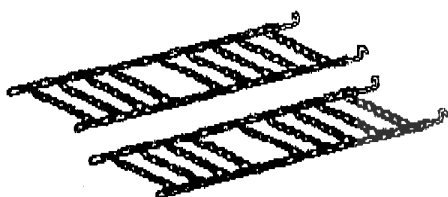
42" SNOW & GRADER BLADE

Rugged, heavy gauge steel blade. Spring loaded blade glides over uneven surfaces. Can be adjusted from seat for straight position, or 35 degrees left or right. Locks in raised position for traveling. Wheel and tire chains are recommended.



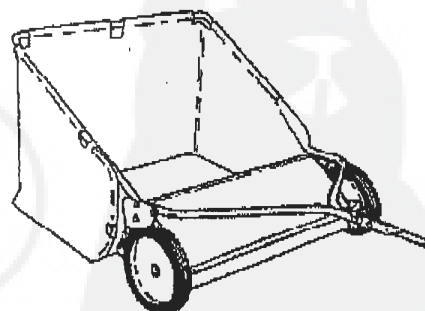
TWO STAGE SNOW THROWER

A powerful two stage snow thrower with a 1/4 inch second stage impeller capable of moving more than 70 tons of snow per hour and throwing it accurately in any direction you choose. Driver controlled discharge chute turns a 160 degree arc. Wheel weights and tire chains are recommended.



TIRE CHAINS

Tire chains for added traction are available. Specify tire size when ordering.



LAWN SWEEPER

Features extra heavy duty wheels and heavy duty basket. Basket is water, shrink and mildew proof with 6 bushel capacity. Dump release and height adjuster can both be operated from the tractor seat.