

REPAIR PARTS MANUAL 12 H.P. RIDING MOWER With 39" Mower Deck MODEL 3560-0390

ONE YEAR LIMITED WARRANTY

For one (1) year from date of purchase by the first consumer for residential use (thirty (30) days commercial use), NOMA Outdoor Products Incorporated warrants that it will replace free of charge, including labor, any original part of any NOMA Outdoor Products Incorporated product found to be defective by any authorized Service Dealer or the factory, except the battery which is warranted for ninety (90) days from date of purchase.

This warranty does not cover engine, transmission, transaxle or differential (these items are covered by their manufacturer's own warranty). This warranty does not cover parts that have failed due to normal wear or parts that have failed subject to misuse or abuse. Transportation of the unit or part to and from an authorized Service Dealer or factory is the responsibility of the owner.

A step by step explanation as to what procedures should be followed for this warranty is:

1. If a part becomes defective, contact the store where the unit was purchased for the name and address of the authorized Service Dealer nearest to you.
2. If you cannot locate an authorized Service Dealer, write Service Department of NOMA Outdoor Products Incorporated for the name and address of the authorized Service Dealer in your area or call the Service Department at 1-901-422-1690.
3. Return the defective product, along with proof of purchase to such authorized Service Dealer for replacement of any defective part where covered by this warranty.

There is no other express warranty. Implied warranties, including those of merchantability and fitness for a particular purpose are limited to one (1) year from date of purchase. Liability for incidental or consequential damages are excluded.

Some states do not allow limitations on how long an implied warranty lasts, so the above limitation may not apply to you. Some states do not allow the exclusion of incidental or consequential damages, so the above exclusion may not apply to you. This warranty gives you specific legal rights, and you may have other rights which vary from state to state.

NOMA Outdoor Products Incorporated

Call 800

Jackson, TN 38308-8000

UNIT PARTS AND SERVICE

This manual contains instructions for safety, assembly and maintenance. Read this manual carefully and completely so that you will know proper assembly, use and care of your unit. Also fill in and mail the registration card packed with the unit. For service other than covered in this manual, contact an authorized service dealer. A nationwide parts and service organization has been established to provide locally available parts and service. A list of such parts distributors has been included in this manual. When ordering repair parts, always give the following information: 1. The Part Name; 2. The Part Number; 3. The Quantity desired; 4. The Full (eight digit) Model Number of the unit. The model number will be found on a plate attached to the unit.



Look for this symbol. It means - ATTENTION! BECOME ALERT! A HAZARD TO OPERATOR, BYSTANDER, PROPERTY OR EQUIPMENT MAY EXIST.

NOMA Outdoor Products Incorporated
Call 800
Jackson, TN 38308-8000

Part No. 30795

Price \$2.00

2089

Printed in U.S.A.



OPERATIONAL PRECAUTIONS

THESE INSTRUCTIONS ARE FOR YOUR PROTECTION. PLEASE READ THEM CAREFULLY.



1. Know the controls and how to stop quickly. **READ THIS OPERATOR'S MANUAL** and instructions furnished with attachments.
2. Wear safety glasses or eye shields when assembling or operating riding mower.
3. Do not allow children to operate the machine. Do not allow adults to operate it without proper instruction.
4. Do not carry passengers. Do not mow when children and others are around. Disengage power to blade(s) or attachment(s) and stop the engine while others are in the vicinity of the mower.
5. Battery fluid (electrolyte) is an ACID and is extremely dangerous. Do not smoke while servicing the battery. Do not service the battery near a open flame or spark.
6. Handle gasoline with care, it is highly flammable.
 - A. Use approved gasoline container.
 - B. Never remove the fuel cap of, or add gasoline to, a running or hot engine, or an engine that has not been allowed to cool for several minutes after running. Never fill the tank indoors and always clean up spilled fuel immediately.
 - C. Do not smoke while filling fuel tank.
 - D. Do not run the engine indoors. Open doors if engine must be run in garage. Exhaust fumes contain **CARBON MONOXIDE, an ODORLESS and DEADLY GAS.**
7. Check fuel supply before each use allowing space for expansion as the heat of the engine and/or sun can cause gasoline to expand.
8. Do not operate mower when barefooted. Always wear substantial footwear, preferably steel-toed shoes. Do not wear loose fitting clothing that could get caught in moving parts.
9. Clear the work area of objects (wire, rocks, etc.) which might be picked up and thrown. Check all controls for proper function.
10. Disengage all attachment clutches, shift to neutral, and set parking brake before attempting to start the engine (motor). When starting engine equipped with a pull starter, stand firm and make sure your feet are well away from the blade(s).
11. Disengage power to blade(s) or other attachment(s) and stop the engine (motor) before leaving the operator's position. Always dismount from the left side.
12. Disengage power to blade(s) or other attachment(s) and stop the engine (motor) before making any repairs or adjustments.
13. Disengage power to blade(s) or other attachment(s) when transporting or not in use.
14. Take all possible precautions when leaving the vehicle unattended, such as disengaging power to blade(s) or attachment(s), lower the attachment(s), setting the parking brake, stopping the engine (motor), and removing the key.
15. Do not stop or start suddenly when going uphill or downhill. Mow up and down the face of steep slopes; never across the face.

and in sharp turns to prevent tipping or loss of control. Be especially cautious when changing direction on slopes.
16. Reduce speed and exercise extreme caution on slopes
 17. Stay alert for holes, rocks, and roots in the terrain and other hidden hazards. Keep away from drop-off. Never operate your riding mower on wet or slippery grass or at a speed which could cause a skid. Exercise care when mowing around a fixed object to prevent the blade(s) from striking it. Never deliberately run over any foreign object.
 18. Always disengage blade control lever before attempting to remove the mower from a hole or other obstruction.
 19. Use care when pulling loads or using heavy equipment.
 - A. Use only approved drawbar hitch points.
 - B. Limit loads to those that you can safely control.
 - C. Do not turn sharply. Use care when backing.
 - D. Use counterweight(s), wheel weights or tire chains when suggested in attachment(s) instructions.
 20. Watch for traffic when crossing or near roadways.
 21. When using attachment(s), never direct discharge of material toward bystanders nor allow anyone near the vehicle while in operation.
 22. Keep the vehicle and attachments in good operating condition, and keep safety devices in place and in working condition.
 23. Keep all nuts, bolts, and screws tight to be sure the equipment is in safe working condition.
 24. Never store the equipment with gasoline in the tank inside a building where fumes may reach an open flame or spark. Allow the engine to cool before storing in any enclosure.
 25. To reduce fire hazard, keep the engine free of grass, leaves or excessive grease.
 26. The vehicle and attachments should be stopped and inspected for damage after striking a foreign object, and the damage should be repaired before restarting and operating the equipment.
 27. Do not change the engine governor settings or overspeed engine.
 28. When using the vehicle with mower, proceed as follows:
 - A. Mow only in daylight or in good artificial light.
 - B. Never make a cutting height adjustment while the engine (motor) is running if the operator must dismount to do so.
 - C. Shut the engine (motor) off when removing the grass catcher or unclogging chute.
 - D. Check the blade mounting bolts for proper tightness at frequent intervals.
 29. Under normal usage, the grass catcher bag material is subject to deterioration and wear. Check the bag frequently for deterioration and wear and replace worn bags. Check that replacement bags comply with the original manufacturer's recommendations or specifications.
 30. Disengage power to mower before backing up. Do not mow in reverse unless absolutely necessary and then only after careful observation of the entire area behind the mower.

OWNER'S INFORMATION

Record the following information about your unit so that you will be able to provide it in case of loss or theft.

MODEL NUMBER: - (Enter complete 8 digit number from model plate on unit)

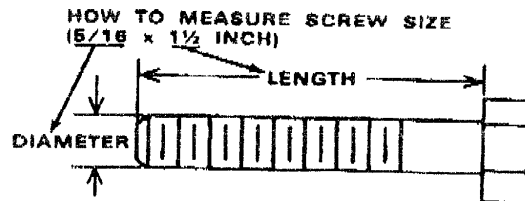
PURCHASE DATE: ___ / ___ / ___ CODE NO.: _____ SERIAL NO.: _____

DEALER'S NAME AND ADDRESS: _____

CITY: _____ STATE: _____ TELEPHONE: _____

CONTENTS OF SHIPPING CARTON

- 1 - Tractor (with 39 inch deck)
- 1 - Operator's Manual
- 1 - Repair Parts Manual
- 1 - Engine Manual
- 1 - Steering Wheel (with roll pin partially installed)
- 1 - Spring Pin
- 1 - Seat
- 1 - Chute Deflector
- 1 - Battery
- 1 - Bag of Assembly Parts Containing:
 - 1 - Oil Drain Trough
 - 1 - Torsion Spring
 - 1 - Chute Pivot Rod
 - 1 - Battery Rod
 - 1 - Battery Top Rod
- 1 - Bag of Battery Assembly Parts Containing:
 - 2 - 1/4 inch Screws
 - 2 - 1/4 inch Nuts
- 1 - Bag of Battery Rod Assembly Parts Containing:
 - 1 - 1/4 inch Nut
 - 1 - 15/16 inch Splitwasher
 - 1 - 9/32 inch Flatwasher
- 1 - Bag of Seat Mounting Hardware Parts Containing:
 - 4 - 5/16 inch Splitwashers
 - 4 - 11/32 inch Flatwashers
 - 4 - 5/16 inch Screws



⚠ DANGER ⚠

This riding mower can be dangerous if carelessly used.
Read your Owner's Manual thoroughly before operating your riding mower.

Always wear safety glasses or eye shields while assembling or operating your riding mower.

DO NOT carry passengers at any time.

Keep your hands, feet, hair and loose clothing away from the discharge area, the underside of the mower deck or any moving parts while the engine is running.

DO NOT allow children or young teenagers to operate or be near your riding mower while it is operating.

TOOLS REQUIRED FOR ASSEMBLY

- 1 - 5/16 inch wrench (or adjustable wrench)
- 1 - 7/16 inch Wrench (or adjustable wrench)
- 1 - 1/2 inch Wrench (or adjustable wrench)
- 1 - Hammer

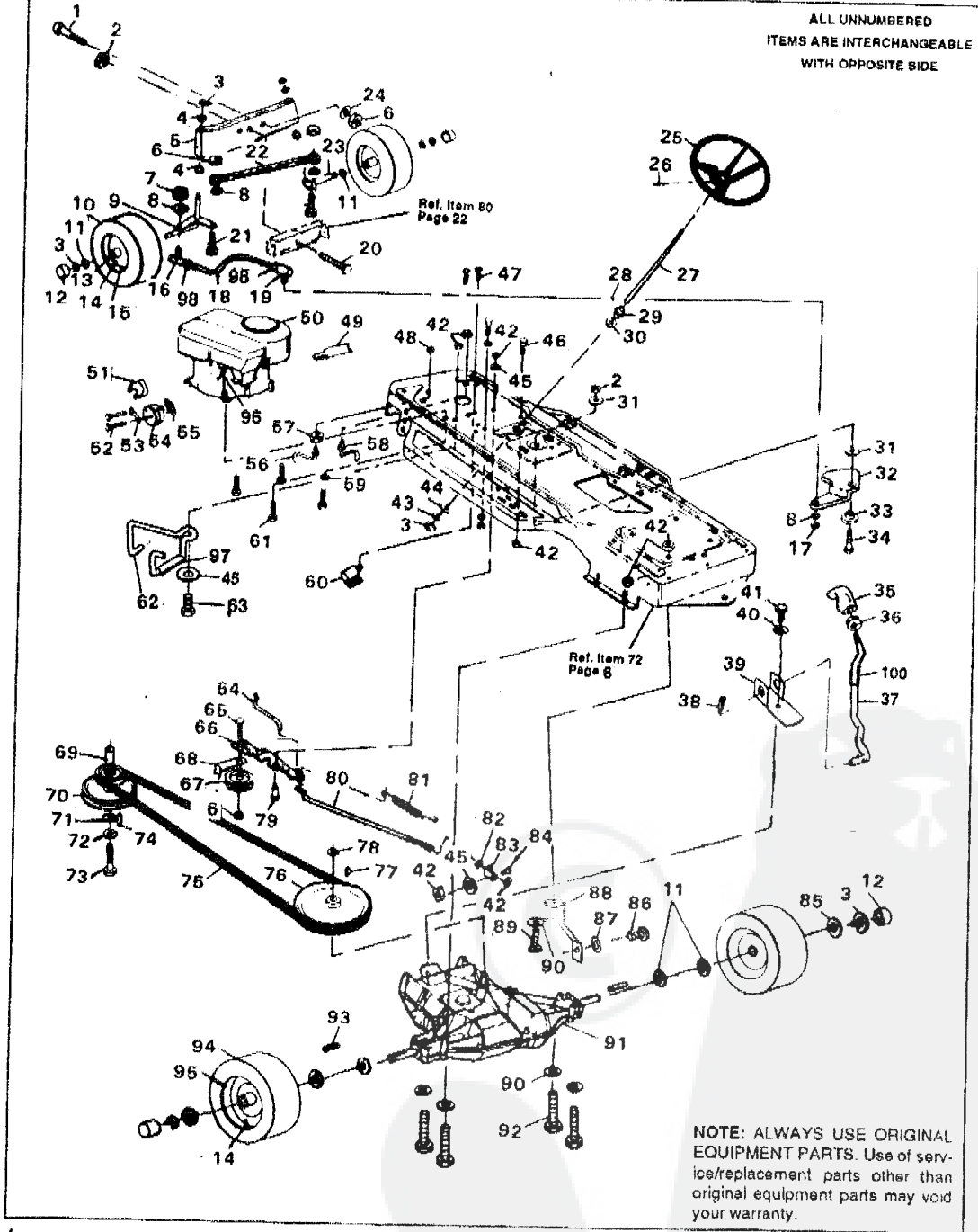
NOTICE

For packaging purposes, the knob may have been removed from the mower clutch lever and placed in the parts bag. Please screw the knob onto the mower clutch lever and tighten it securely.

REPAIR PARTS

39" RIDING MOWER MODEL 3560-0390

ALL UNNUMBERED
ITEMS ARE INTERCHANGEABLE
WITH OPPOSITE SIDE



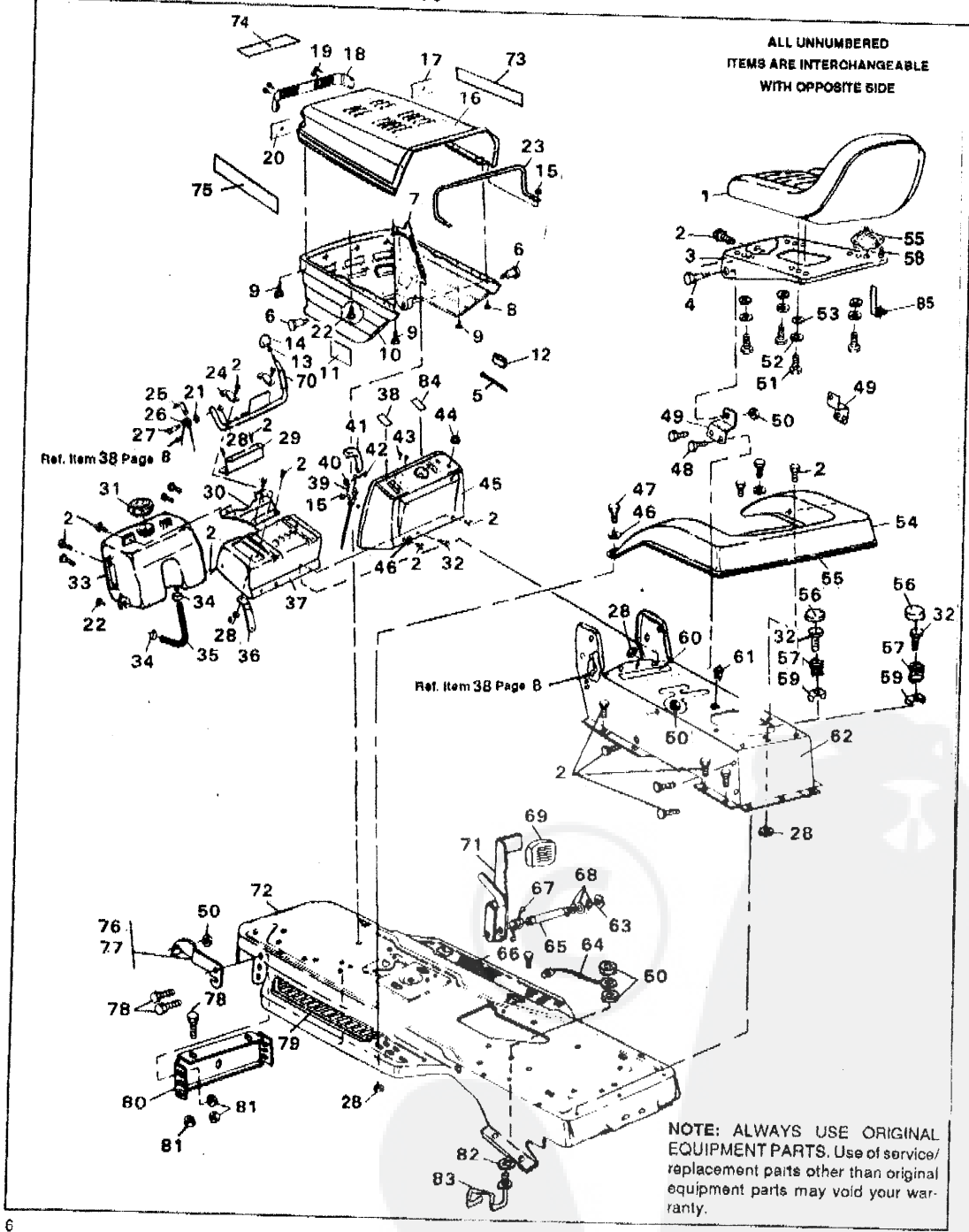
39" RIDING MOWER MODEL 3560-0390

Key No.	Part No.	Description	Key No.	Part No.	Description
1	122207	* Screw, Hex Hd, 3/8-16 x 3 In.	51	54767	Heat Shield, Muffler
2	1500	Locknut, 1/2-13 Thd.	52	173063	Screw, Hex Hd, 5/16-18 x 3-1/2 In.
3	36625	"E" Ring	53		Engine Part
4	52407	Bearing, Front Spindle	54	305367	Muffler
5	305113	Front Axle Assembly	55	46708	Gasket, Muffler
6	1499	Locknut, 3/8-16 Thd.	56	300635	Belt Guide
7	120369	* Nut, Hex, 3/8-24 Thd.	57	271190	* Nut, Keps, 3/8-16 Thd.
8	120382	* Lockwasher, Split, 3/8 In.	58	300440	Belt Guide
9	302925	Front Spindle Assembly, L. H.	59	138489	Star Washer
10	39472	Tire Assembly, Front	60	57476	Switch
11	642	Flatwasher, 3/4 In.	61	50947	Screw, Taplite, 3/8-17 x 1-1/4 In.
12	40394	Hub Cap	62	58356	Belt Guide
13	39979	Bearing, Front Wheels	63	180079	* Screw, Hex Hd, 5/16-18 x 1 In.
14	24167	Valve Stem	64	57204	Rod, Clutch
15	39829	Wheel w/Bearing, Front	65	45892	Carriage Bolt, Rd Hd, 3/8-16x1-1/2 In.
16	21275	Ball Joint	66	300154	Idler Arm
17	46892	* Nut, Hex, 3/8-24 Thd.	67	303031	Pulley, Idler
18	58291	Steering Link	68	39859	Belt Retainer
19	57158	Ball Joint	69	304246	Spacer
20	58246	Shoulder Bolt, Front Axle Pivot	70	58361	Pulley
21	180128	* Screw, Hex Hd, 3/8-16 x 1-3/4 In.	71	56431	Washer, Pilot
22	304590	Tie Rod Assembly	72	120383	* Lockwasher, Split, 7/16 In.
23	302926	Front Spindle Assembly, R. H.	73	428644	* Screw, Hex Hd, 7/16-20 x 5 In.
24	2483	Spring Washer	74	57791	Key
25	301251	Steering Wheel	75	14	V-Belt
26	456378	* Roll Pin, 1/4 x 2 In.	76	45	Pulley
27	58243	Shaft, Steering	77	3021	Key, Woodruff
28	58274	Pin, Dowel	78	22053	Retaining Ring
29	58244	Pinion, Steering	79	300793	Shoulder Bolt
30	301410	Bushing, Flanged	80	57203	Brake Rod
31	22265	Washer, 1/2 In.	81	56359	Spring, Clutch
32	58289	* Sector Gear	82	271184	* Nut, Keps, 5/16-18 Thd.
33	52406	Eccentric	83	57217	Bracket, Brake Rod
34	180177	* Screw, Hex Hd, 1/2-13 x 1-1/2 In.	84	20507	Shoulder Bolt
35	304438	Knob, Gear Shift	85	42815	Flatwasher, 3/4 In.
36	120298	Jam Nut, 1/2-13 Thd.	86	35498	Screw, Taplite, 5/16-18 x 3/4 In.
37	57169	Shift Lever	87	120638	* Lockwasher, Split, 5/16 In.
38	137185	* Pin, Cotter, 1/8 x 1 In.	88	12632	Stabilizing Bracket
39	57480	Shift Bracket	89	122017	* Screw, Hex Hd, 5/16-18 x 1 In.
40	57157	Washer	90	120393	Flatwasher, 11/32 In.
41	56255	Screw, Hex Hd, 1/4-20 x 3/4 In.	91	Transaxle	* Peerless 5 speed, Model 920-5
42	1498	Locknut, 5/16-18 Thd.	92	180089	* Screw, Hex Hd, 5/16-18 x 2-3/4 In.
43	21682	Washer, 3/4 In.	93	39628	Key, 3/16 x 3/16 x 2-3/4 In.
44	301398	Washer	94	57164	Tire, Rear
45	45602	Washer, 5/16 In.	95	57165	Wheel, Rear
46	120229	* Screw, Hex Hd, 5/16-18 x 7/8 In.	96	302967	Speed Reducer
47	57220	Screw, Taplite	97	303278	Plastic Extrusion
48	124824	Jam Nut, 5/16 In.	98	124925	Nut, Jam 3/8-24
49	54873	Trough, Oil Drain	99	307129	Owner's Manual (Not illus.) (Eng.)
50	Engine	~ See Engine Manual	100	307931	Parts Manual
			101	302445	Shift Tube

(*) Standard Hardware Items - May Be Purchased Locally.
 (~) Contact Engine Manufacturer's authorized service dealer (See Engine Manual) for parts and warranty.
 (^) Contact Tecumseh/Peerless authorized service dealer for parts and warranty.

REPAIR PARTS

39" RIDING MOWER MODEL 3560-0390



ALL UNNUMBERED ITEMS ARE INTERCHANGEABLE WITH OPPOSITE SIDE

Ref. Item 38 Page 8

Ref. Item 38 Page 8

NOTE: ALWAYS USE ORIGINAL EQUIPMENT PARTS. Use of service/replacement parts other than original equipment parts may void your warranty.

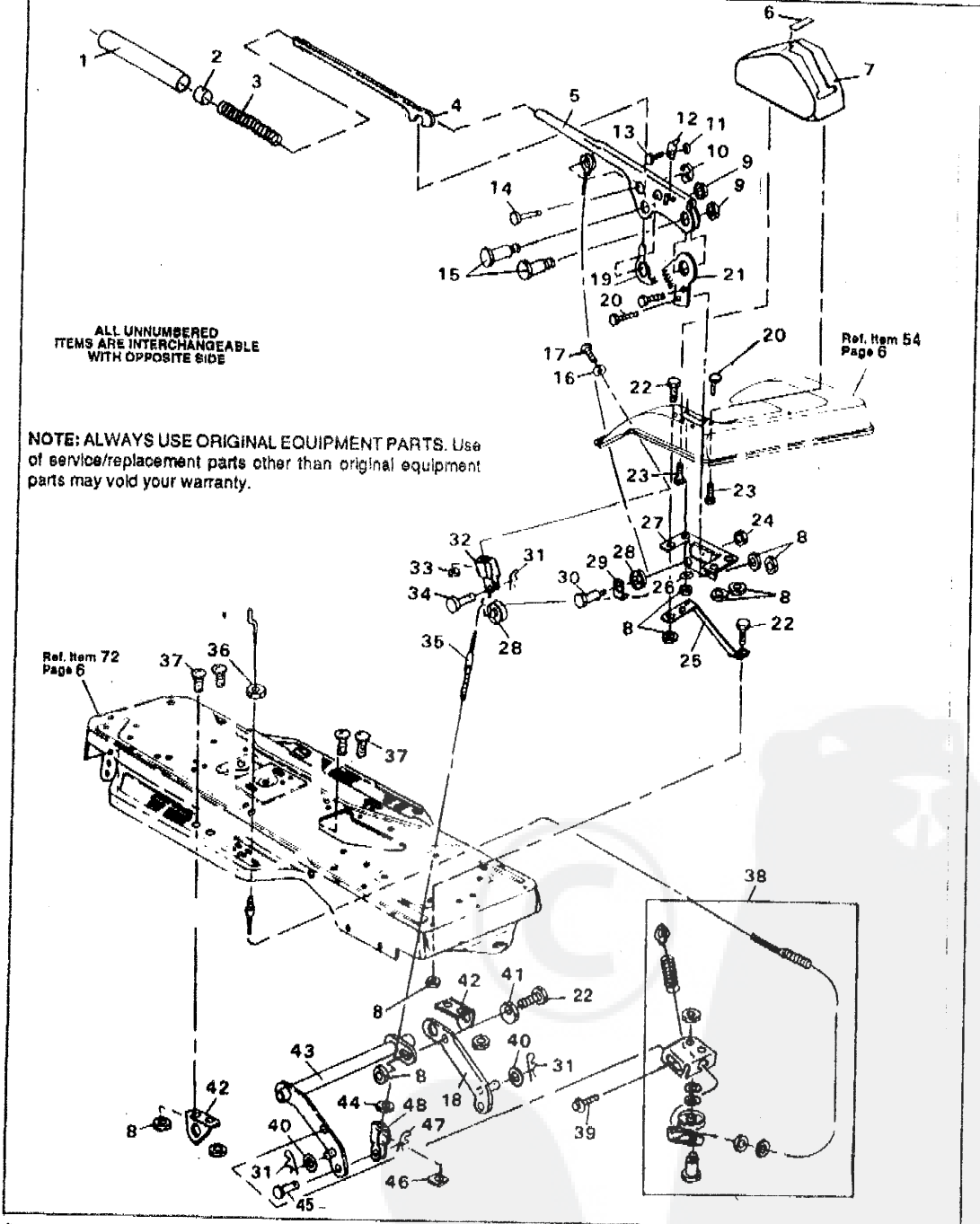
39" RIDING MOWER MODEL 3560-0390

Key No.	Part No.	Description	Key No.	Part No.	Description
1	307861	Seat	43	159943	Screw, Pan Hd, No. 10-24 x 5/8 In.
2	995346	Screw, Tapite, 1/4-20 x 1/2 In.	44	300194	Boot, Ignition Switch
3	9104	Plate, Seat	45	300174	Dash, Plastic Cover
4	20507	Shoulder Bolt	46	120386	Flatwasher, 3/8 In.
5	57444	Wire, Tie	47	180022	Screw, Hex Hd, 5/16-18 x 1 In.
6	56676	Shoulder Bolt	48	120228	Screw, Hex Hd, 5/16-18 x 5/8 In.
7	57478	Spring, Hood	49	7693	Bracket, Support
8	301542	Screw, Hex Hd, No. 10-24 x 1 In.	50	1498	Locknut, 5/16-18 Thd.
9	300302	Screw, Tapite No. 10-24 x 1/2 In.	51	122007	Screw, Hex Hd, 5/16-18 x 3/4 In.
10	303037	Hood, Lower	52	120638	Lockwasher, Split, 5/16 In.
11	301452	Decal, Heat Reflector	53	120393	Flatwasher, 11/32 In.
12	41482	Press Clip	54	9202	Fender Assembly
13	120238	Jam Nut, 1/2-13 Thd.	55	57547	Seat Switch
14	304438	Knob	56	53205	Cover, Spring
15	271166	Locknut, No. 10-24 Thd.	57	49335	Spring, Seat
16	308360	Hood	58	160505	Screw, Pan Hd 1/4-20 x 3/8 In.
17	301540	Reflector, Headlight, R. H.	59	53744	Clamp, Seat Spring
18	302333	Lens, Headlight	60	305770	Decal, Caution
19	57798	Screw, Plastite, No. 6 x 1/2 In.	61	58277	Switch
20	301541	Reflector, Headlight, L.H.	62	306398	Console
21	120392	Flatwasher, 1/4 In.	63	20864	Retaining Ring
22	300303	Screw, Plastite, 1/4-20 x 3/4 In.	64	55511	Ground Wire
23	301425	Support, Hood	65	57198	Rod, Brake-Clutch
24	9129	Bracket, Retaining	66	12382	Foot Pad, R.H.
25	1288	Retainer, Cable	67	57847	Spring, Return
26	39298	Pulley	68	2968	Spacer
27	57322	Shoulder Bolt	69	48160	Pad Brake Pedal
28	1502	Locknut, 1/4-20 Thd.	70	9792	Clutch Handle Assembly
29	9197	Brace, Dash & Fuel Tank	71	300308	Brake Pedal Assembly
30	9744	Bracket, Fuel Tank	72	305300	Main Frame
31	300304	Cap, Fuel Tank	73	305604	Foam, Hood Top (2)
32	44811	Screw, Tapite, 1/4-20 x 3/4 In.	74	305602	Foam, Hood R.H.
33	303043	Fuel Tank	75	305603	Foam, Hood L. H.
34	41008	Clamp, Fuel Line	76	9784	Bracket, Grille, R. H.
35	47452	Tubing, Fuel Line	77	9785	Bracket, Grille, L. H.
36	9208	Brace, Dash	78	56030	Screw, Hex Hd, 5/16-18 x 3/4 In.
37	9132	Dash, Metal	79	12381	Foot Pad, L. H.
38	302049	Decal, Dash, L. H.	80	56361	Bracket, Axle Support
39	303159	Throttle Control	81	55273	Nut, Hex, 5/16-18 Thd.
40	120622	Nut, Hex, No. 8-32 Thd.	82	138538	Lockwasher, Internal Tooth
41	300508	Knob, Throttle Control	83	57259	Belt Guide
42	159585	Screw, Pan Hd, No. 8-32 x 3/8 In.	84	300445	Decal, Dash, R. H., 4 X 15 In.
			85	300292	Stop, Seat

(*) Standard hardware items - May Be Purchased Locally.

REPAIR PARTS

39" RIDING MOWER MODEL 3560-0390



39" RIDING MOWER MODEL 3560-0390

Key No.	Part No.	Description	Key No.	Part No.	Description
1	58329	Hand Grip, Height Adjust Lever	25	9200	Brace, Fender
2	58325	Knob, Height Adjust Lever	26	45602	Spacer Washer
3	58326	Spring, Height Adjust Lever	27	58333	Bracket, Support, Height Adjust Lever
4	303027	Actuator Rod, Height Adjust Lever	28	39298	Pulley
5	9788	Lever, Height Adjust	29	9149	Bracket, Retainer
6	301931	Decal, Height Adjust	30	58336	Shoulder Bolt
7	300339	Cover, Height Adjust Lever	31	8260	Hair Pin Cotter
8	1498	Locknut, Hex, 5/16-18 Thd.	32	9239	Clevis
9	44108	Wide Flange Locknut, 5/16-18 Thd.	33	120373	Nut, Square, 5/16-18 Thd.
10	300311	"E" Ring	34	300317	Pin, Clevis
11	138479	Lockwasher, Ext. Lock	35	306980	Cable, Deck Lift
12	9435	Pointer, Height Adjust Lever	36	120613	* Nut, Hex, 1/4-28 Thd.
13	35287	Screw, Hex Wa Hd, No. 8-32 x 3/4 In.	37	126211	* Carriage Bolt, 5/16-18 x 5/8 In.
14	300310	Pin, Clevis	38	301491	Cable Assy, Blade Engage/Disengage
15	300171	Shoulder Bolt	39	35498	Screw, Taplike, 5/16-18 x 3/4 In.
16	301551	Washer, Curved, 11/32 In.	40	120398	* Flatwasher, 17/32 In.
17	439455	Screw, Pan Hd, 5/16-18 x 9/16 In.	41	58247	Nut, Adjusting
18	9186	Link Assembly, Right Side	42	9117	Bracket, Rear Hanger
19	301239	Pawl Assembly	43	9185	Rear Lift Assembly
20	180077	* Screw, Hex Hd, 5/16-18 x 3/4 In.	44	120375	* Nut, Hex, 1/4-20 Thd.
21	301238	Quadrant Assembly	45	39522	Clevis, Pin
22	180079	* Screw, Hex Hd, 5/16-18 x 1 In.	46	120372	* Nut, Square, 1/4-20 Thd.
23	300302	Screw, #10 x 1/2 In.	47	121222	* Cotter Pin, 3/32 x 3/4 In.
24	1502	Locknut, Hex, 1/4-20 Thd.	48	9405	Rear Clevis, Lift Cable

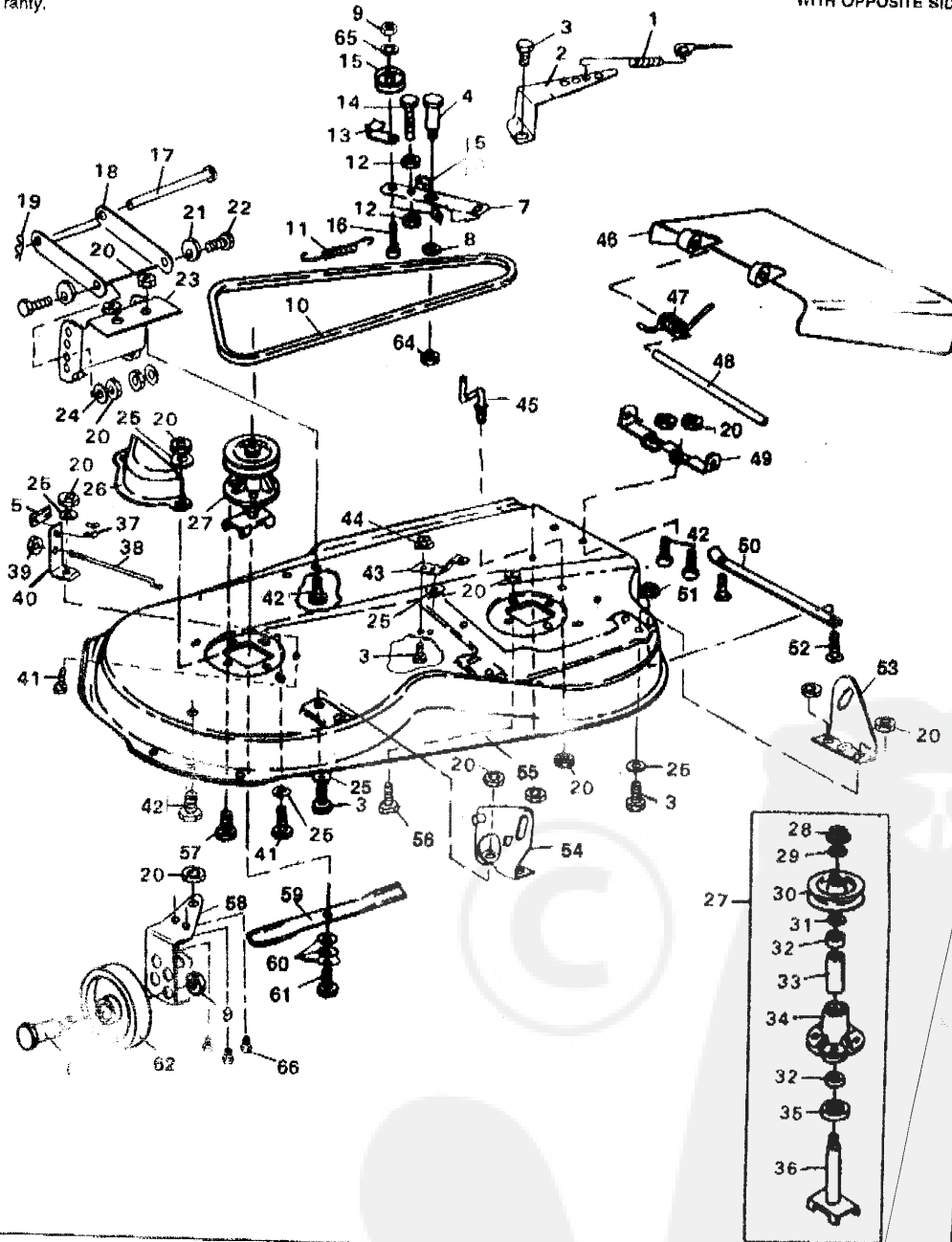
(*) Standard hardware items - May Be Purchased Locally.

REPAIR PARTS

39" RIDING MOWER MODEL 3560-0390

NOTE: ALWAYS USE ORIGINAL EQUIPMENT PARTS. Use of service/replacement parts other than original equipment parts may void your warranty.

ALL UNNUMBERED ITEMS ARE INTERCHANGEABLE WITH OPPOSITE SIDE



39" RIDING MOWER MODEL 3560-0390

Key No.	Part No.	Description	Key No.	Part No.	Description
1	300473	Spring	34	55547	Quill
2	9401	Extension, Idler Arm	35	50816	Dust Shield
3	180077	* Screw, Hex Hd, 5/16-18 x 3/4 In.	36	56425	Saddle & Shaft Assembly
4	300180	Shoulder Bolt	37	135624	Rivet, Brake Pad
5	306973	Brake Pad	38	300316	Rod, Brake Release
6	41601	Rivet, Brake Pad	39	1502	Locknut, 1/4-20 Thd.
7	300491	Idler Arm Assy (Incl. Nos. 5 & 6)	40	303247	Blade Bracket Assy (Incl. 5 & 37)
8	996416	* Flatwasher, 3/8 In.	41	120228	* Screw, Hex Hd, 5/16-18 x 5/8 In.
9	1499	Locknut, 3/8-16 Thd.	42	120834	* Screw, Hex Hd, 5/16-18 x 1/2 In.
10	300680	V-Belt	43	300179	Bracket, Idler
11	35410	Spring	44	44108	Nut, Hex, Wide Flange, 5/16-18 Thd.
12	271172	* Nut, Keps, 1/4-20 Thd.	45	57318	Retainer, Belt
13	1346	Retainer, Belt	46	57818	Discharge Chute
14	121954	* Screw, Hex Hd, 1/4-20 x 2 In.	47	55767	Spring, Discharge Chute
15	303030	Pulley, Idler	48	57317	Rod Pivot
16	57325	Carriage Bolt, 3/8-16 x 2 In.	49	57360	Bracket, Pivot
17	58306	Rod, Deck Hitch	50	57314	Skid Bar
18	58305	Bracket, Deck Front	51	271184	* Nut, Keps, 5/16-18 Thd.
19	8260	Hair Pin Cotter	52	126216	* Carriage Bolt, 5/16-18 x 3/4 In.
20	1498	Locknut, 5/16-18 Thd.	53	58250	Bracket, Litt, R.H.
21	58247	Nut, Adjusting	54	58251	Bracket, Litt, L.H.
22	122017	* Screw, Hex Hd, 5/16-18 x 1 In.	55	306384	Mower Deck
23	58315	Lift Support Plate	56	300345	Screw, Tapite, 5/16-18 x 1 3/8 In.
24	35214	Flatwasher, 21/64 In.	57	57317	Screw, Tapite, 5/16-18 x 7/8 In.
25	120393	* Flatwasher, 11/32 In.	58	57317	Bracket, Wheel Mount
26	302833	Belt Guard, L.H. Pulley	59	57259	Blade
27	66424	Quill Assembly (Incl. Nos. 28-36)	60	2493	Formed Washer
28	1282	Locknut, Flange	61	23763	Screw, Hex Hd, 3/8-24 x 1 In.
29	56365	Flatwasher	62	52591	Wheel, Deck
30	56390	Pulley	63	23763	Wheel Axle
31	51449	Spacer	64	45171	Locknut, Flange
32	49562	* Bearing	65	120382	Split Lockwasher, 25/64 In.
33	50818	Spacer Tube	66	180075	Screw, 5/16-18 x 1/2 In.

Part No. 307931

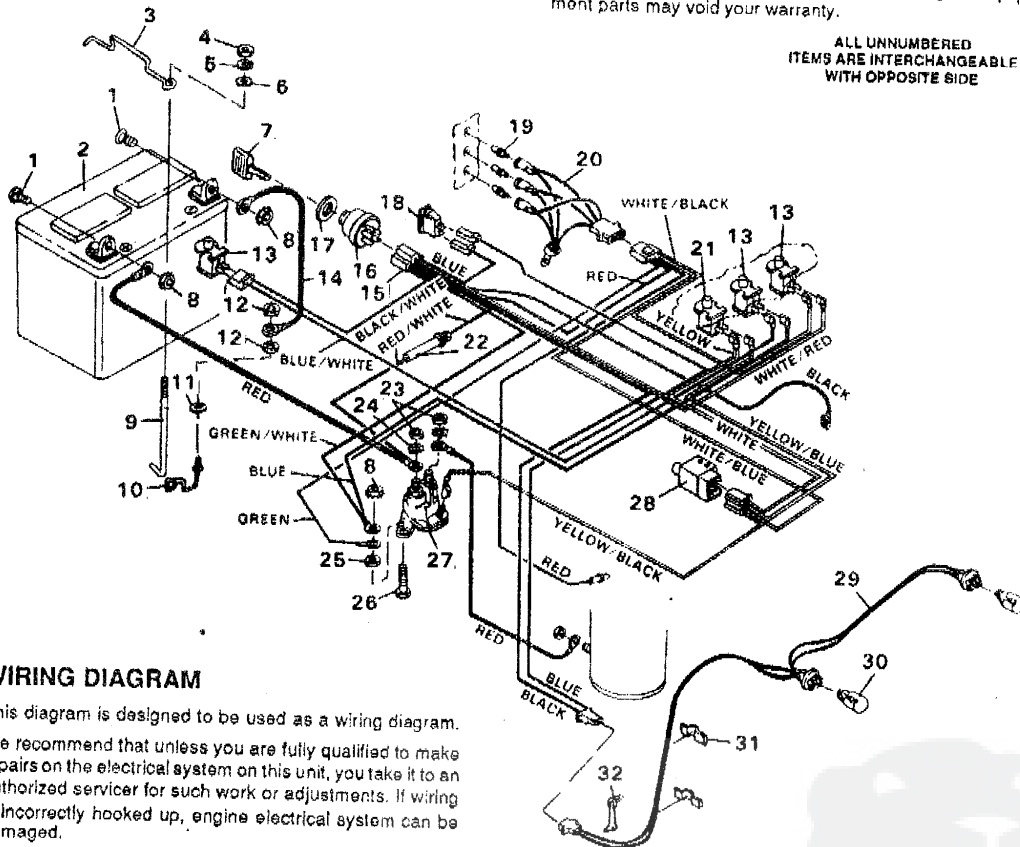
(*) Standard Hardware Items - May Be Purchased Locally.

REPAIR PARTS

39" RIDING MOWER MODEL 3560-0390

NOTE: ALWAYS USE ORIGINAL EQUIPMENT PARTS.
Use of service/replacement parts other than original equipment parts may void your warranty.

ALL UNNUMBERED
ITEMS ARE INTERCHANGEABLE
WITH OPPOSITE SIDE



WIRING DIAGRAM

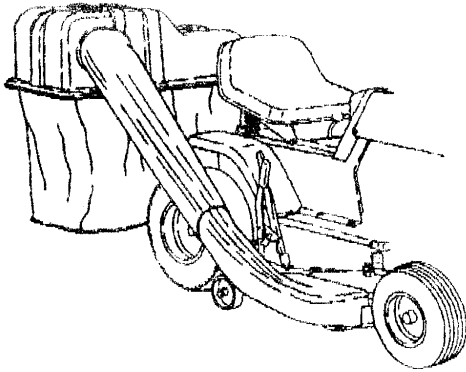
This diagram is designed to be used as a wiring diagram. We recommend that unless you are fully qualified to make repairs on the electrical system on this unit, you take it to an authorized servicer for such work or adjustments. If wiring is incorrectly hooked up, engine electrical system can be damaged.

Key No.	Part No.	Description	Key No.	Part No.	Description
1	120854	Screw, Hex Hd, 1/4-20 x 5/8 In.	18	300334	Switch, Headlight
2	302257	Battery	19	57769	Bulb, Indicator
3	57552	Bracket, Battery Hold-Down	20	300965	Wire Harness Assy, Indicator Light
4	120375	Nut, Hex, 1/4-20 Thd.	21	300220	Switch, No Start
5	120380	Lockwasher, Split	22	302031	Fuse
6	120392	Flatwasher, 9/32 In.	23	120368	Nut, Hex, 5/16-24 Thd.
7	300626	Key, Ignition Switch	24	138485	Lockwasher, External Lock
8	271172	Keps Nut, 1/4-20 Thd.	25	1502	Locknut, Hex, 1/4-20 Thd.
9	57551	Rod, Battery Hold-Down	26	187745	Screw, Hex Hd, 1/4-20 x 3/4 In.
10	57259	Belt Guide	27	53716	Solenoid
11	138538	Lockwasher, Internal Tooth	28	57476	Switch, Clutch Interlock
12	1498	Locknut, Hex, 5/16-18 Thd.	29	303064	Harness, Headlight
13	58277	Switch, Interlock System	30	52572	Bulb, Headlight
14	55511	Ground Wire	31	41482	Retainer, Harness, Press-On
15	300331	Wire Harness Assembly	32	54888	Retainer, Harness
16	300295	Switch, Ignition			
17	300193	Nut, Plastic, Ignition Switch			

(*) Standard Hardware Items - May Be Purchased Locally.

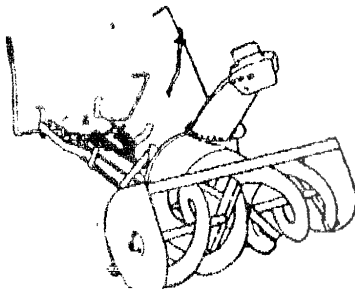
ACCESSORIES

Contact the dealer where your tractor was purchased for the available accessories. If you are unable to contact the dealer, write to the address on the front cover of this manual.



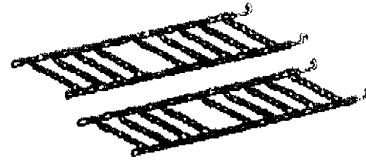
REAR MOUNT GRASS CATCHER

For 40-inch side discharge mower decks. Easy-On Easy-Off chute extension. Includes Easy-To-Dump twin grass collection containers with a 6-bushel capacity.



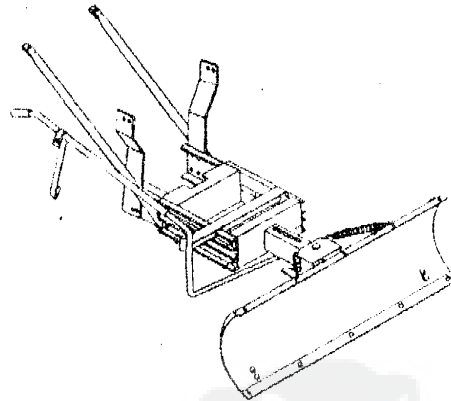
TWO STAGE SNOW THROWER

A powerful two stage snow thrower with a 1/4 inch second stage impeller capable of moving more than 70 tons of snow per hour and throwing it accurately in any direction you choose. Driver controlled discharge chute turns a 160 degree arc. Wheel weights and tire chains are recommended.



TIRE CHAINS

Tire chains for added traction are available. Specify tire size when ordering.



42" SNOW & GRADER BLADE

Rugged, heavy gauge steel blade. Spring loaded blade glides over uneven surfaces. Can be adjusted from seat for straight position, or 35 degrees left or right. Locks in raised position for traveling. Wheel and tire chains are recommended.