

REPAIR PARTS MANUAL

39" - 12 H.P. RIDING MOWER

MODEL 3560-0470

ONE YEAR LIMITED WARRANTY

For one (1) year from date of purchase by the first consumer for residential use (thirty (30) days commercial use), NOMA Outdoor Products Incorporated warrants that it will replace free of charge, including labor, any original part of any NOMA Outdoor Products Incorporated product found to be defective by any authorized Service Dealer or the factory, except the battery which is warranted for ninety (90) days from date of purchase.

This warranty does not cover engine, transmission, transaxle or differential (these items are covered by their manufacturer's own warranty). This warranty does not cover parts that have failed due to normal wear or parts that have failed subject to misuse or abuse. Transportation of the unit or part to and from an authorized Service Dealer or factory is the responsibility of the owner.

A step by step explanation as to what procedure should be followed for this Warranty is:

1. If a part becomes defective, contact the store where the unit was purchased for the name and address of the authorized Service Dealer nearest to you.
2. If you cannot locate an authorized Service Dealer, write Service Department of NOMA Outdoor Products Incorporated for the name and address of the authorized Service Dealer in your area or call the Service Department at 1-801-422-1600.
3. Return the defective product, along with proof of purchase to such authorized Service Dealer for replacement of any defective part where covered by this warranty.

There is no other express warranty. Implied warranties, including those of merchantability and fitness for a particular purpose are limited to one (1) year from date of purchase. Liability for incidental or consequential damages are excluded.

Some states do not allow limitations on how long an implied warranty lasts, so the above limitation may not apply to you. Some states do not allow the exclusion of incidental or consequential damages, so the above exclusion may not apply to you. This warranty gives you specific legal rights, and you may have other rights which vary from state to state.

NOMA Outdoor Products Incorporated

Call 800

Jackson, TN 38308-8000

UNIT PARTS AND SERVICE

This manual contains instructions for safety, assembly and maintenance. Read this manual carefully and completely so that you will know proper assembly, use and care of your unit. Also fill in and mail the registration card packed with the unit. For service other than covered in this manual, contact an authorized service dealer. A nationwide parts and service organization has been established to provide locally available parts and service. A list of authorized parts distributors has been included in this manual. When ordering repair parts, always give the following information; 1. The Part Name; 2. The Part Number; 3. The Quantity desired; 4. The Full (eight digit) Model Number of the unit. The model number will be found on a plate attached to the unit.

Look for this symbol.



It means - ATTENTION! BECOME ALERT! A HAZARD TO OPERATOR, BYSTANDER, PROPERTY OR EQUIPMENT MAY EXIST.

NOMA Outdoor Products Incorporated
Call 800
Jackson, TN 38308-8000

Part No. 307355

0389



OPERATIONAL PRECAUTIONS



THESE INSTRUCTIONS ARE FOR YOUR PROTECTION. PLEASE READ THEM CAREFULLY.

1. Know the controls and how to stop quickly. READ THIS OPERATOR'S MANUAL and instructions furnished with attachments.
2. Wear safety glasses or eye shields when assembling or operating riding mower.
3. Do not allow children to operate the machine. Do not allow adults to operate it without proper instruction.
4. Do not carry passengers. Do not mow when children and others are around. Disengage power to blade(s) or attachment(s) and stop the engine while others are in the vicinity of the mower.
5. Battery fluid (electrolyte) is an ACID and is extremely dangerous. Do not smoke while servicing the battery. Do not service the battery near a open flame or spark.
6. Handle gasoline with care, it is highly flammable.
 - A. Use approved gasoline container.
 - B. Never remove the fuel cap of, or add gasoline to, a running or hot engine, or an engine that has not been allowed to cool for several minutes after running. Never fill the tank indoors and always clean up spilled fuel immediately.
 - C. Do not smoke while filling fuel tank.
 - D. Do not run the engine indoors. Open doors if engine must be run in garage. Exhaust fumes contain CARBON MONOXIDE, an ODORLESS and DEADLY GAS.
7. Check fuel supply before each use allowing space for expansion as the heat of the engine and/or sun can cause gasoline to expand.
8. Do not operate mower when barefooted. Always wear substantial footwear, preferably steel-toed shoes. Do not wear loose fitting clothing that could get caught in moving parts.
9. Clear the work area of objects (wires, rocks, etc.) which might be picked up and thrown. Check all controls for proper function.
10. Disengage all attachment clutches, shift to neutral, and set parking brake before attempting to start the engine (motor). When starting engine equipped with a pull starter, stand firm and make sure your feet are well away from the blade(s).
11. Disengage power to blade(s) or other attachment(s) and stop the engine (motor) before leaving the operator's position. Always dismount from the left side.
12. Disengage power to blade(s) or other attachment(s) and stop the engine (motor) before making any repairs or adjustments.
13. Disengage power to blade(s) or other attachment(s) when transporting or not in use.
14. Take all possible precautions when leaving the vehicle unattended, such as disengaging power to blade(s) or attachment(s), lower the attachment(s), setting the parking brake, stopping the engine (motor), and removing the key.
15. Do not stop or start suddenly when going uphill or downhill. Mow up and down the face of steep slopes; never across the face.
16. Reduce speed and exercise extreme caution on slopes and in sharp turns to prevent tipping or loss of control. Be especially cautious when changing direction on slopes.
17. Stay alert for holes, rocks, and roots in the terrain and other hidden hazards. Keep away from drop-off. Never operate your riding mower on wet or slippery grass or at a speed which could cause a skid. Exercise care when mowing around a fixed object to prevent the blade(s) from striking it. Never deliberately run over any foreign object.
18. Always disengage blade control lever before attempting to remove the mower from a hole or other obstruction.
19. Use care when pulling loads or using heavy equipment.
 - A. Use only approved drawbar hitch points.
 - B. Limit loads to those that you can safely control.
 - C. Do not turn sharply. Use care when backing.
 - D. Use counterweight(s), wheel weights or tire chains when suggested in attachment(s) instructions.
20. Watch for traffic when crossing or near roadways.
21. When using attachment(s), never direct discharge of material toward bystanders nor allow anyone near the vehicle while in operation.
22. Keep the vehicle and attachments in good operating condition, and keep safety devices in place and in working condition.
23. Keep all nuts, bolts, and screws tight to be sure the equipment is in safe working condition.
24. Never store the equipment with gasoline in the tank inside a building where fumes may reach an open flame or spark. Allow the engine to cool before storing in any enclosure.
25. To reduce fire hazard, keep the engine free of grass, leaves or excessive grease.
26. The vehicle and attachments should be stopped and inspected for damage after striking a foreign object, and the damage should be repaired before restarting and operating the equipment.
27. Do not change the engine governor settings or over-speed engine.
28. When using the vehicle with mower, proceed as follows:
 - A. Mow only in daylight or in good artificial light.
 - B. Never make a cutting height adjustment while the engine (motor) is running if the operator must dismount to do so.
 - C. Shut the engine (motor) off when removing the grass catcher or unfogging chute.
 - D. Check the blade mounting bolts for proper tightness at frequent intervals.
29. Under normal usage, the grass catcher bag material is subject to deterioration and wear. Check the bag frequently for deterioration and wear and replace worn bags. Check that replacement bags comply with the original manufacturer's recommendations or specifications.
30. Disengage power to mower before backing up. Do not mow in reverse unless absolutely necessary and then only after careful observation of the entire area behind the mower.

OWNER'S INFORMATION

Record the following information about your unit so that you will be able to provide it in case of loss or theft.

MODEL NUMBER: - (Enter complete 8 digit number from model plate on unit)

PURCHASE DATE: ___ / ___ / ___ CODE NO.: ___ SERIAL NO.: _____

DEALER'S NAME AND ADDRESS: _____

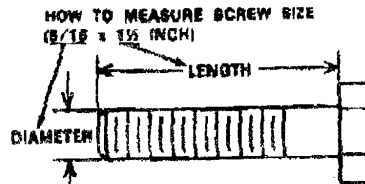
CITY: _____ STATE: _____ TELEPHONE: _____

CONTENTS OF SHIPPING CARTON

- 1 - Riding Mower
- 1 - Operators Manual
- 1 - Repair Parts Manual
- 1 - Engine Manual
- 1 - Steering Wheel (with roll pin partially installed)
- 1 - Steering Shaft Cover
- 1 - Seat
- 1 - Chute Deflector
- 1 - Battery
- 1 - Battery Acid Pack
- 1 - Bag of Assembly Parts Containing:
 - 1 - Knob (mower clutch lever)
 - 1 - Oil Drain Trough
 - 1 - Pivot Rod
 - 1 - Spring
 - 1 - Battery Hold-Down Bracket
 - 1 - Battery Hold-Down Rod
- 1 - Bag of Battery Installation Parts Containing:
 - 1 - 9/32 inch Flatwasher
 - 1 - 1/4 inch Split Lockwasher
 - 1 - 1/4 inch Hex Nut
- 1 - Bag of Battery Cable Installation Parts Containing:
 - 2 - 1/4 x 5/8 inch Hex Head Screws
 - 2 - 1/4 inch Keys, Nuts (star washer attached)
- 1 - Bag of Seat Mounting Parts Containing:
 - 4 - 5/16 x 3/4 inch Hex Head Screws
 - 4 - 5/16 inch Split Lockwashers
 - 4 - 11/32 inch Flatwashers

TOOLS REQUIRED FOR ASSEMBLY

- 2 - 7/16 inch Wrenches (or adjustable wrenches)
- 1 - 1/2 inch Wrench (or adjustable wrench)
- 1 - Hammer (plastic or rawhide preferred)



DANGER

This riding mower can be dangerous if carelessly used.

Read Owner's Manual thoroughly before operating riding mower.

Always wear safety glasses or eye shields while assembling or operating riding mower.

DO NOT carry passengers at any time.

Keep hands, feet, hair and loose clothing away from discharge area, underside of mower deck or any moving parts while engine is running.

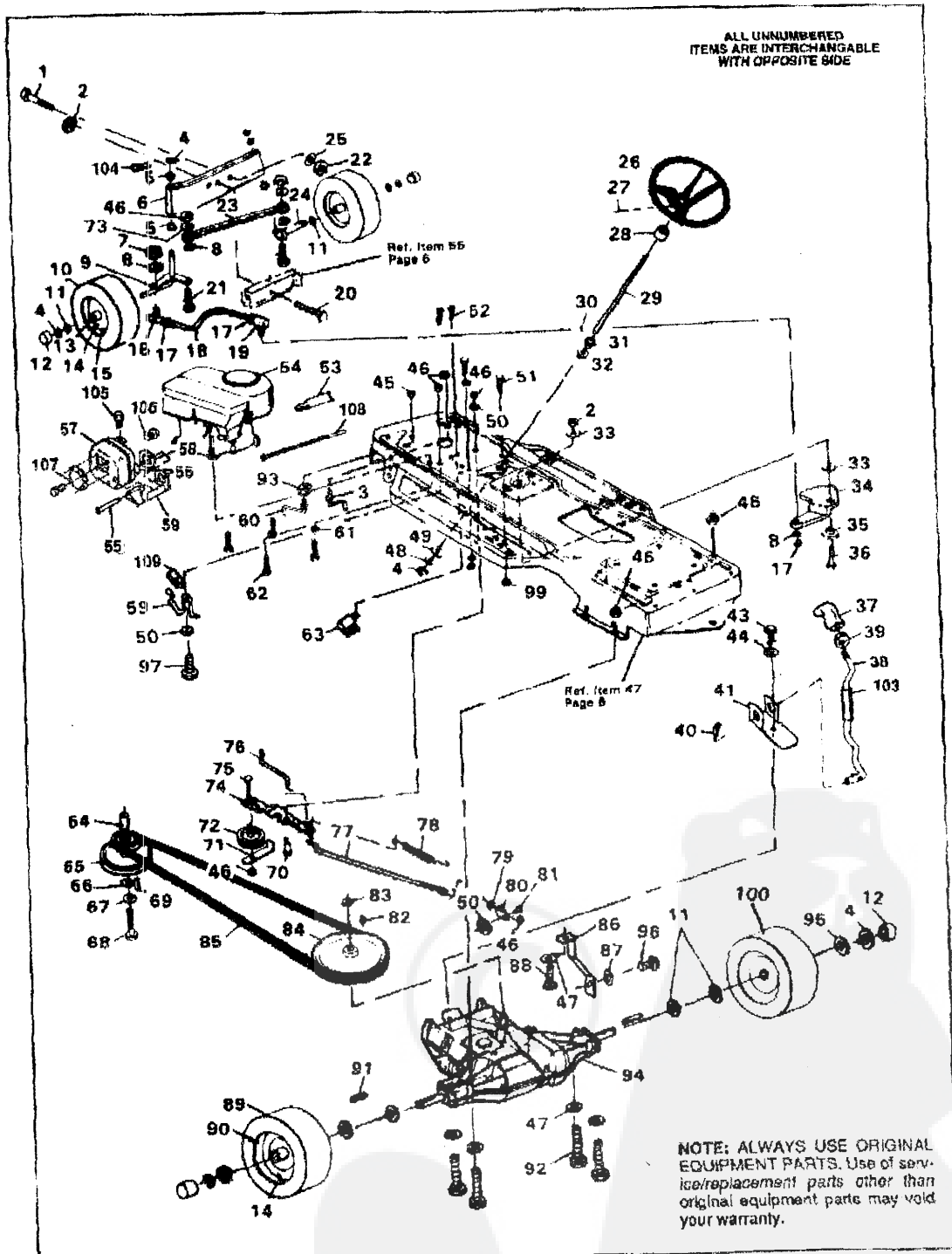
DO NOT allow children or young teenagers to operate or be near riding mower while it is operating.

NOTICE

For packaging purposes, the knob was removed from the mower clutch lever and placed in parts bag.

Please screw knob onto mower clutch lever and tighten securely.

39" RIDING MOWER MODEL 3560-0470



ID:

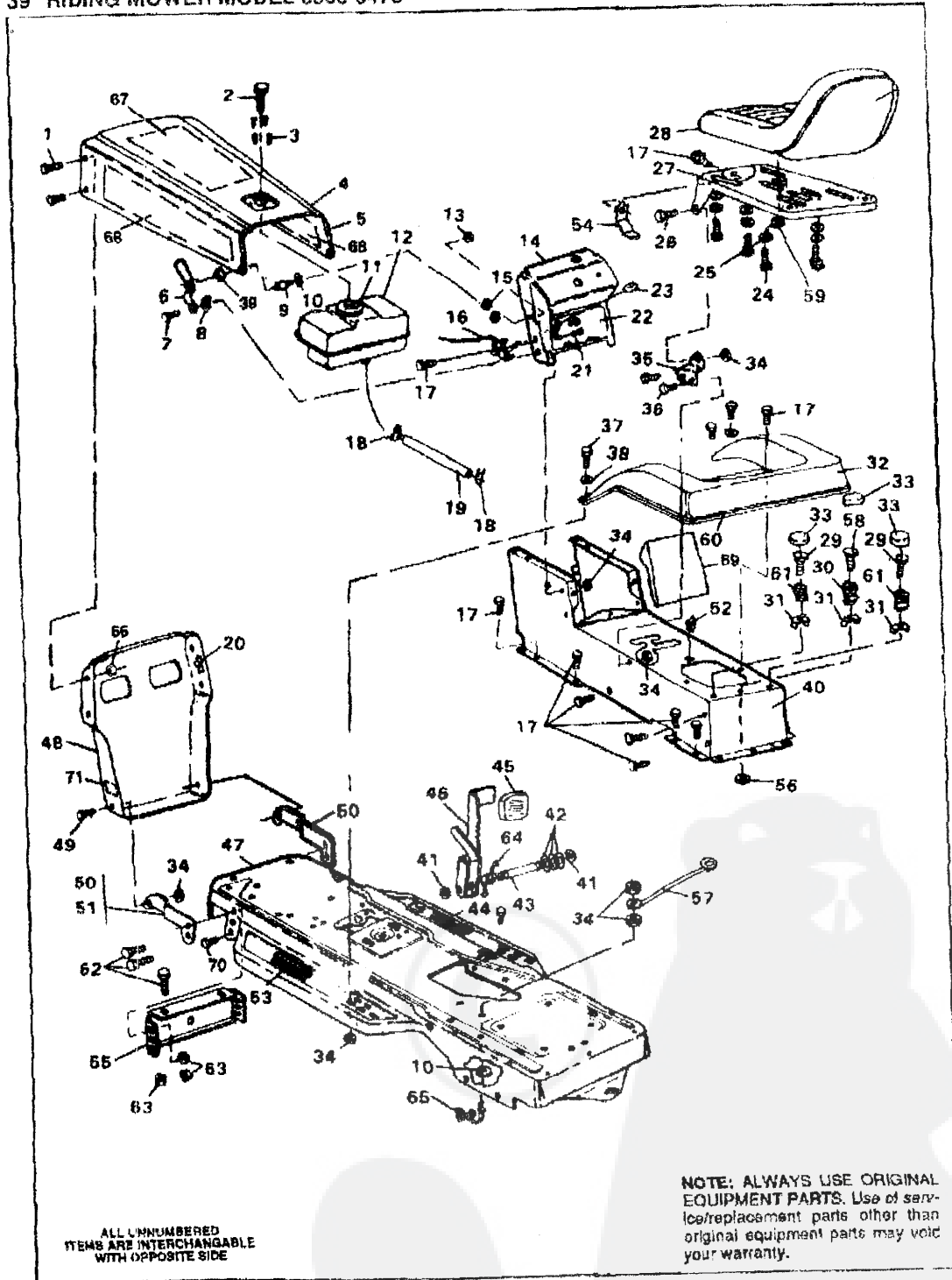
39" RIDING MOWER MODEL 3560-0470

ALWAYS GIVE THE FOLLOWING INFORMATION WHEN ORDERING REPAIR PARTS:
 1. The PART NUMBER; 2. The PART NAME; 3. QUANTITY DESIRED; 4. The MODEL NUMBER (As shown on Model Plate).
 SEND PART ORDERS AS PER INSTRUCTIONS ON THE FRONT PAGE.
 YOUR UNIT IS RIGHT HAND (RH) OR LEFT HAND (LH) AS YOUR STAND BEHIND IT.
 DO NOT USE KEY NUMBERS WHEN ORDERING REPAIR PARTS, ALWAYS USE PART NUMBERS.
 All replacement parts will be supplied in current production colors or in a neutral color.
 A handling fee is applicable to small parts orders.

Key No.	Part No.	Description	Key No.	Part No.	Description
1	122207	Screw, Hex Hd, 3/8-16 x 3 In.	56		Engine Part
2	1500	Locknut, 1/2-13 Thd.	57	305408	Muffler
3	300440	Belt Guide	58	46708	Gasket, Muffler
4	38625	"E" Ring	59	58356	Belt Guide
5	52407	Bearing, Front Spindle	60	300895	Belt Guide
6	307347	Front Axle Assembly	61	198489	Star Washer
7	120369	Nut, Hex, 3/8-24 Thd.	62	50947	Screw, Taplts, 3/8-16 x 1-1/4 In.
8	120362	Lockwasher, Split, 3/8 In.	63	57211	Switch
9	302925	Front Spindle Assembly, L.H.	64	304246	Spacer
10	302828	Tire, Front	65	58361	Pulley
11	642	Flatwasher, 3/4 In.	66	56431	Washer, Pilot
12	40394	Hub Cap	67	120363	Lockwasher, Split, 7/16 In.
13	39979	Bearing, Front Wheel	68	180079	Screw, Hex Hd, 5/16-18 x 1 In.
14	24167	Valve Stem	69	57791	Key
15	39829	Wheel w/Bearing, Front	70	300793	Shoulder Bolt
16	21275	Ball Joint	71	39859	Belt Retainer
17	46692	Nut, Hex, 3/8-24 Thd.	72	303031	Pulley, Idler
18	300146	Steering Link	73	996416	Flatwasher, 3/8 In.
19	57158	Ball Joint	74	300154	Idler Arm
20	58246	Shoulder Bolt, Front Axle Pivot	75	45892	Carriage Bolt, Hd, 3/8-16 x 1-1/2 In.
21	180128	Screw, Hex Hd, 3/8-16 x 1-3/4 In.	76	57204	Rod, Clutch
22	1499	Locknut, 3/8-16 Thd.	77	57209	Brake Rod
23	58260	Tie Rod Assembly	78	58359	Spring, Clutch
24	302926	Front Spindle Assembly, R.H.	79	271184	Nut, Keps, 5/16-18 Thd.
25	2483	Spring Washer	80	57217	Bracket, Brake Rod
26	301251	Steering Wheel	81	20507	Shoulder Bolt
27	456978	Roll Pin, 1/4 x 2 In.	82	3021	Key, Woodruff
28	57212	Cover, Steering Shaft	83	22953	Retaining Ring
29	58243	Shaft, Steering	84	302745	Pulley
30	58274	Pin, Dowel	85	57214	V-Belt
31	58244	Pinion, Steering	86	12632	Stabilizing Bracket
32	301410	Bushing	87	120838	Lockwasher, Split, 5/16 In.
33	22255	Washer, 1/2 In.	88	122017	Screw, Hex Hd, 5/16-18 x 1 In.
34	58289	Sector Gear	89	57164	Tire, Rear
35	52406	Eccentric	90	57165	Wheel, Rear
36	180177	Screw, Hex Hd, 1/2-13 x 1-1/2 In.	91	39628	Key, 3/16 x 3/16 x 2-1/2 In.
37	304438	Knob, Gear Shift	92	180089	Screw, Hex Hd, 5/16-18 x 2-3/4 In.
38	57169	Shift Lever	93	271190	Nut, Keps, 3/8-18 Thd.
39	120238	Jam Nut, 1/2-13 Thd.	94	Transaxle	Peerless, 5 Speed, 920
40	137185	Pin, Cotter, 1/8 x 1 In.	95	42815	Flatwasher, 3/4 In.
41	57480	Shift Bracket	96	35498	Screw, Taplts, 5/16-18 x 3/4 In.
42	305409	Heat Shield, Muffler	97	180079	Screw, Hex Hd, 5/16-18 x 1 In.
43	56255	Screw, Hex Hd, 1/4-20 x 3/4 In.	98	61449	Spacer
44	57157	Washer	99	1499	Locknut, 3/8-16 Thd.
45	124824	Jam Nut, 5/16 In.	100	57166	Wheel & Tire Assembly
46	1499	Locknut, 5/8-18 Thd.	101	307129	Operator's Manual (not illustrated)
47	120393	Flatwasher, 11/32 In.	102	307355	Repair Parts Manual (not illustrated)
48	21882	Washer, 3/4 In.	103	302445	Shift Tube
49	301398	Washer	104	6280	Hair Pin
50	45602	Washer, 5/16 In.	105	305407	Shoulder Bolt 5/16-18
51	180075	Screw, Hex Hd, 5/16-18 x 7/8 In.	106	35297	Screw
52	57220	Screw, Taplts	107	58472	Deflector Side Out
53	54873	Trough, Oil Drain	108	57444	Wire Tie
54	Engine	See Footnote Below	109	303278	Plastic Extrusion
55	305410	Screw, 1/4-20 x 1/2			

(*) Standard Hardware Items - May Be Purchased Locally
 (*) Contact Engine Manufacturer's authorized service dealer (See Engine Manual) for parts and warranty.
 (*) Contact Tecumseh/Pearless authorized service dealer for parts and warranty

39" RIDING MOWER MODEL 3560-0470



ALL UNNUMBERED
ITEMS ARE INTERCHANGABLE
WITH OPPOSITE SIDE

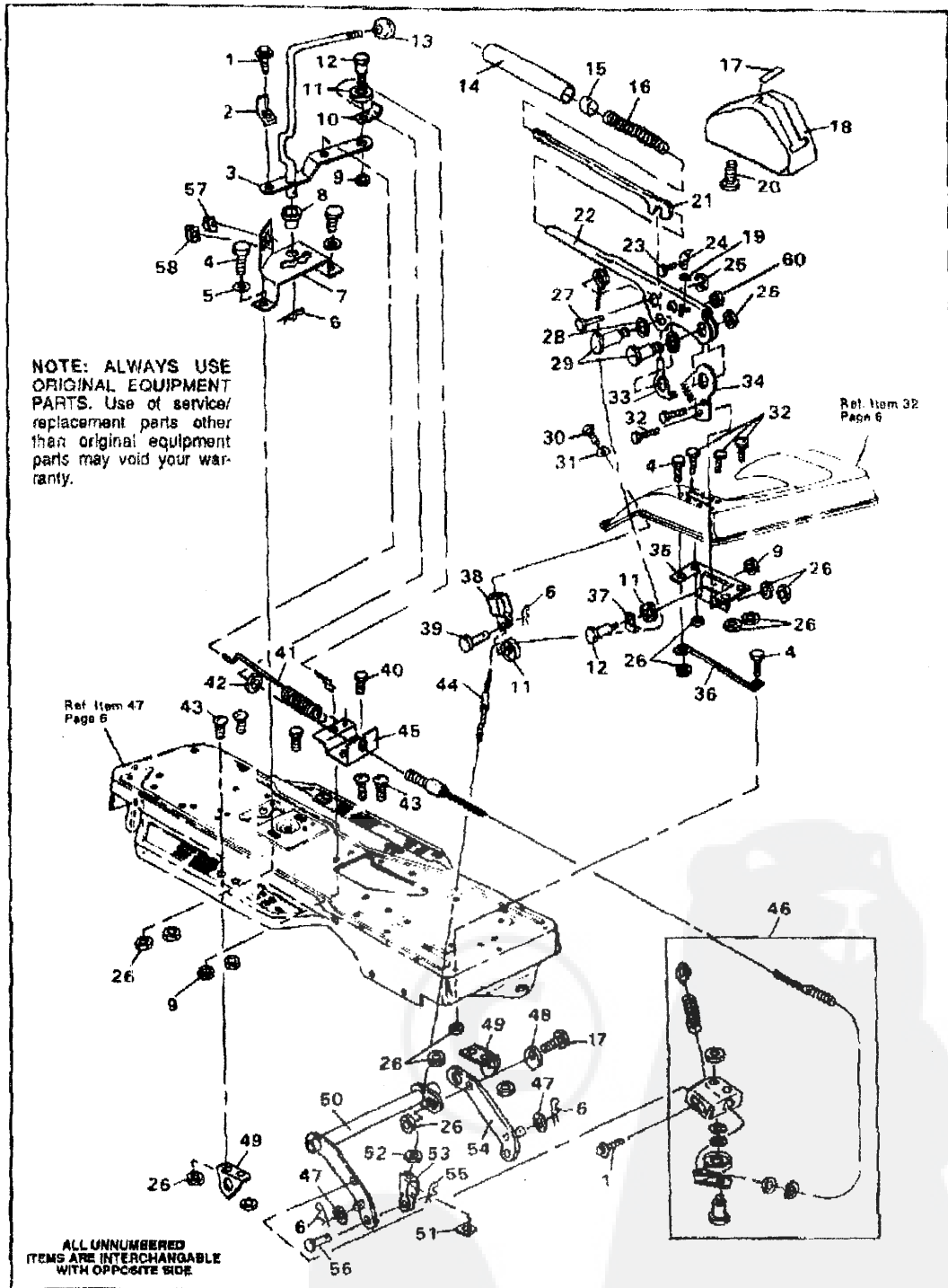
NOTE: ALWAYS USE ORIGINAL
EQUIPMENT PARTS. Use of serv-
ice/replacement parts other than
original equipment parts may void
your warranty.

39" RIDING MOWER MODEL 3560-0470

Key No.	Part No.	Description	Key No.	Part No.	Description
1	53225	Screw, Tapite, 1/4-20 x 1.75	37	122017	* Screw, Hex Hd, 5/16-18 x 1 In.
2	50988	Gauge, Fuel	38	448383	* Flatwasher, 3/8 In.
3	49050	Screw, Tapite, 1/4-20 x 3/4 In.	39	45174	Locknut, 5/16-18 Whiz
4	307207	Hood	40	307218	Console
5	47453	Edging, Hood	41	20864	Retaining Ring
6	57159	Latch, Hood	42	2968	Flatwasher
7	8482	Shoulder Bolt	43	67196	Rod, Brake-Clutch
8	120394	* Flatwasher, 13/32 In.	44	12379	Foot Pad, R.H.
9	53446	Pin, Hood Latch	45	48160	Pad, Brake Pedal
10	138538	Lockwasher, Int. Tooth, 5/16 In.	46	57369	Brake Pedal Assembly
11	54685	Pad, Fuel Tank	47	307346	Main Frame
12	302579	Fuel Tank	48	303055	Grille
13	1498	Locknut, Wide Fl, 5/16-18 Thd.	49	36149	Shoulder Bolt
14	300260	Dash	50	9897	Bracket, Grille, R.H.
15	271166	* Nut, Keys, No. 10-24 Thd.	51	9599	Bracket, Grille, L.H.
16	58534	Throttle Control	52	58277	Switch
17	995346	* Screw, Tapite, 1/4-20 x 1/2 In.	53	12377	Foot Pad, L.H.
18	41008	Clamp, Fuel Line	54	9111	Bracket, Seat Switch
19	47452	Tubing, Fuel Line	55	56361	Bracket, Axle Support
20	41492	Press Clip	56	1502	Locknut, 1/4-20 Thd.
21	35291	Screw, Hex Hd, No. 10-24 x 1/2 In.	57	55511	Ground Wire
22	302891	Decal, Dash	58	274672	Screw, Hex Hd, 1/4-20 x 5/8 In.
23	50607	Knob, Throttle Control	59	120393	* Flatwasher, 11/32 In.
24	122007	* Screw, Hex Hd, 5/16-18 x 3/4 In.	60	55021	Trim, Fender
25	120638	* Lockwasher, Split, 5/16 In.	61	57153	Spring, Seat
26	20507	Shoulder Bolt	62	55030	Screw, Hex Hd, 5/16-18 x 3/4 In.
27	307345	Mounting Bracket, Seat	63	55273	Locknut, Wide Flange, 5/16-18 Thd.
28	304314	Seat	64	57847	Spring, Return
29	44811	Screw, Tapite, 1/4-20 x 3/4 In.	65	57258	Belt Guide
30	58278	Spring, Seat	66	50352	Nut, 1/4-20
31	1341	Clip, Spring	67	86734	Foam Top
32	58334	Fender Assembly	68	56735	Foam Side (2)
33	56907	Cover, Spring	69	301686	Console Baffle Assembly
34	1498	Locknut, 5/16-18 Thd.	70	56021	Screw, 1/4-14 x .75
35	307344	Bracket, Support Seat	71	301452	Heat Reflector
36	120228	* Screw, Hex Hd, 5/16-18 x 5/8 In.			

(*) Standard Hardware Items - May Be Purchased Locally

39 RIDING MOWER MODEL 356D-0470



LD:
39 RIDING MOWER MODEL 3560-0470

Key No.	Part No.	Description	Key No.	Part No.	Description
1	35498	Screw, Tapflts, 5/16-18 x 3/4 in.	32	180077	* Screw, Hex Hd, 5/16-18 x 3/4 in.
2	300699	Bracket	33	301239	Pawl Assembly
3	304791	Clutch Lever Assembly	34	301238	Quadrant Assembly
4	180079	* Screw, Hex Hd, 5/16-18 x 1 in.	35	58333	Bracket, Support, Height Adjust Lever
5	120393	* Flatwasher, 11/32 in.	36	307354	Brace, Fender
6	8280	Hair Pin Cotter	37	9149	Bracket, Retainer
7	9402	Bracket, Clutch Lever Assembly	38	9239	Clevis
8	50148	Bearing, Flanged	39	300317	Pin, Clevis
9	1502	Locknut, Hex, 1/4-20 Thd.	40	180020	* Screw, Hex Hd, 1/4-20 x 3/4 in.
10	1288	Bracket, Retainer	41	300473	Spring, Tension
11	39298	Pulley	42	120613	* Nut, Hex, 1/4-28 Thd.
12	58338	Shoulder Bolt	43	128211	* Carriage Bolt, 5/16-18 x 5/8 in.
13	56514	Knob, Clutch Lever Assembly	44	300341	Cable, Deck Lift
14	58929	Hand Grip, Height Adjust Lever	45	9397	Bracket, Frame, Cable Anchor
15	58925	Knob, Height Adjust Lever	46	301503	Cable Assy, Blade Engage
16	58326	Spring, Height Adjust Lever	47	120396	* Flatwasher, 17/32 in.
17	120373	Locknut, 5/16-18 in.	48	58247	Nut, Adjusting
18	300335	Cover, Height Adjust Lever	49	9117	Bracket, Rear Hanger
19	138479	Lockwasher, 7/32 in.	50	9185	Rear Lift Assembly
20	300340	Screw, No. 10 x 3/4 in.	51	120372	* Nut, Square, 1/4-20 Thd.
21	303027	Actuator Rod, Height Adjust Lever	52	120375	* Nut, Hex, 1/4-20 Thd.
22	9788	Lever Height Adjust	53	9405	Rear Clevis, Lift Cable
23	35287	Screw, Hex Wa Hd, No. 8-32 x 3/8 in.	54	9186	Link Assembly, Right Side
24	9435	Pointer, Height Adjust Lever	55	121222	* Cotter Pin, 3/32 x 3/4 in.
25	300311	E-Ring	56	39522	Clevis Pin
26	1498	Locknut, Hex, 5/16-18 Thd.	57	58277	Switch, Seat
27	300310	Pin, Clevis	58	300220	Switch, Start
28	996418	* Flatwasher, 1/2 in.	59	44109	Locknut, 5/16-18 in.
29	300171	Shoulder Bolt	60	180079	Screw, 5/16-18 in.
30	439455	Screw, Pan Hd, 5/16-18 x 9/16 in.			
31	301551	Washer, Curvad, 11/32 in.			

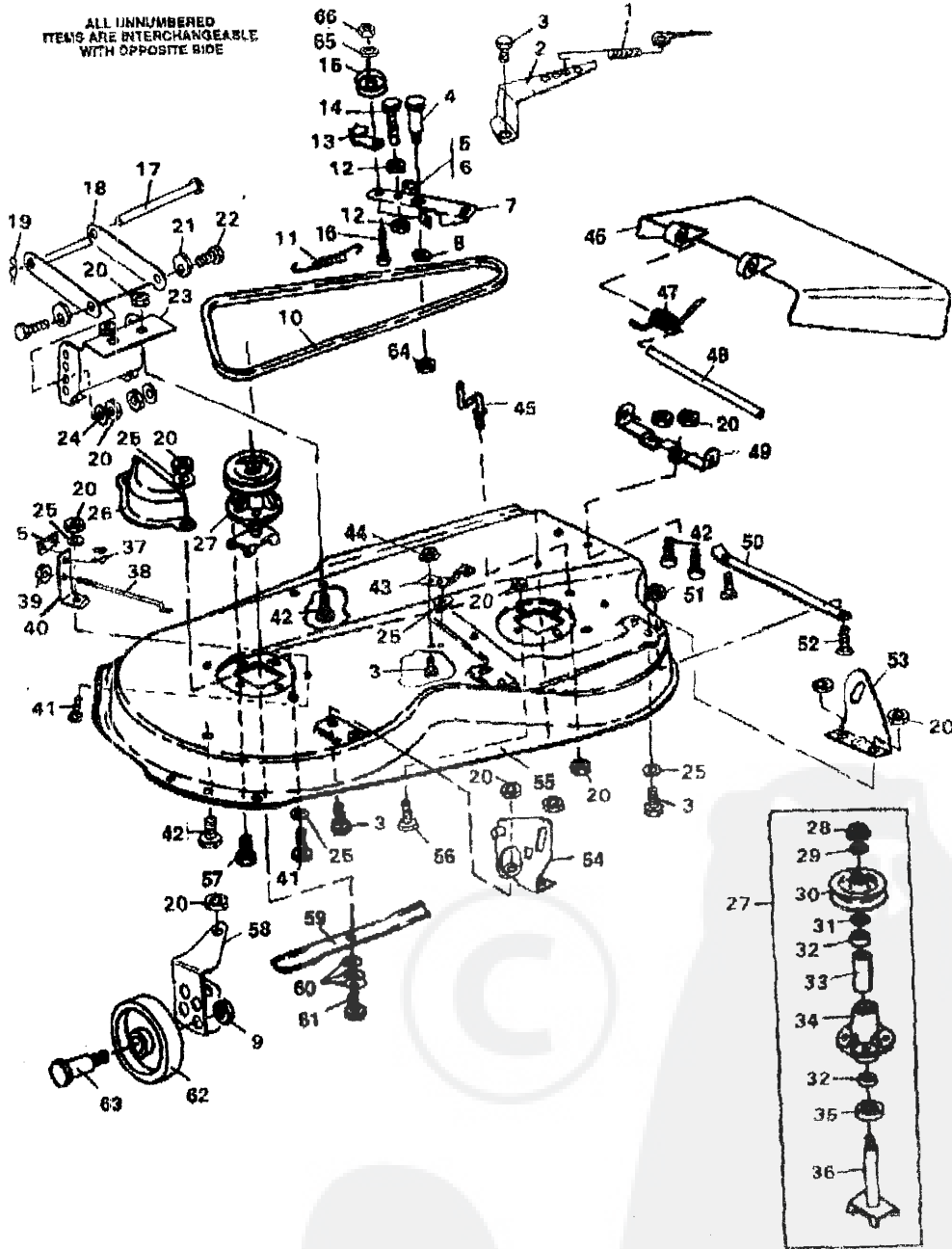
(* Standard Hardware Items - May Be Purchased Locally)

Part No. 307355

117
39 RIDING MOWER MODEL 3560-0470

NOTE: ALWAYS USE ORIGINAL EQUIPMENT PARTS. Use of service/replacement parts other than original equipment parts may void your warranty.

ALL UNNUMBERED ITEMS ARE INTERCHANGEABLE WITH OPPOSITE SIDE



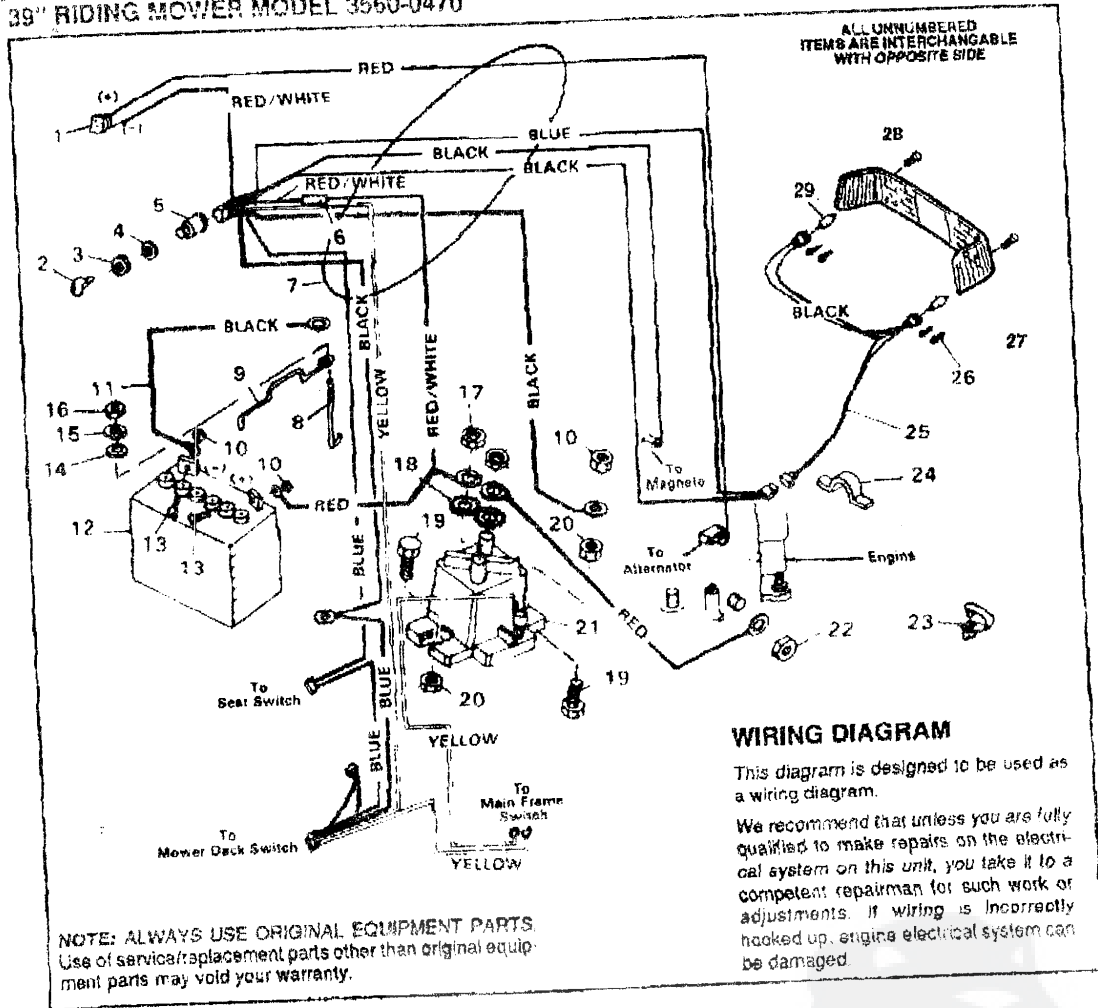
LD:

39" RIDING MOWER MODEL 3560-0470

Key No.	Part No.	Description	Key No.	Part No.	Description
1	300473	Spring	35	50516	Dust Shield
2	8401	Extension, Idler Arm	36	56425	Saddle & Shaft Assembly
3	180077	* Screw, Hex Hd, 5/16-18 x 3/4 In.	37	135624	Rivet, Brake Pad
4	300180	Shoulder Bolt	38	300316	Rod, Brake Pad
5	306973	Brake Pad	39	1502	Locknut, 1/4-20 Thd.
6	135624	Rivet, Brake Pad	40	303247	Blade Bracket Assy (Incl. 5 & 37)
7	300491	Idler Arm Assy (Incl. Nos. 6 & 7)	41	120228	* Screw, Hex Hd, 5/16-18 x 5/8 In.
8	996416	* Flatwasher, 3/8 In.	42	120634	* Screw, Hex Hd, 5/16-18 x 1/2 In.
9	1499	Locknut, 3/8-16 Thd.	43	300179	Bracket, Idler
10	300680	V-Belt	44	44108	Nut, Hex, Wide Flange, 5/16-18 Thd.
11	35410	Spring	45	57318	Retainer, Belt
12	271172	* Nut, Keps, 1/4-20 Thd.	46	57818	Discharge Chute
13	1346	Retainer, Belt	47	35767	Spring, Discharge Chute
14	121954	* Screw, Hex Hd, 1/4-20 x 2 In.	48	57317	Rod Pivot
15	303030	Pulley, Idler	49	57360	Bracket, Pivot
16	57325	Carriage Bolt, 3/8-16 x 2 In.	50	57314	Skid Bar
17	58306	Rod, Deck Hitch	51	271184	* Nut, Keps, 5/16-18 Thd.
18	58305	Bracket, Deck Front	52	126216	* Carriage Bolt, 5/16-18 x 7/8 In.
19	8260	Hair Pin Cotter	53	58250	Bracket, Lift, R.H.
20	1498	Locknut, 5/16-18 Thd.	54	58251	Bracket, Lift, L.H.
21	58247	Nut, Adjusting	55	302831	Mower Deck
22	122017	* Screw, Hex Hd, 5/16-18 x 1 In.	56	200345	Screw, Tapflte, 5/16-18 x 1-3/8 In.
23	58315	Lift Support Plate	57	50634	Screw, Tapflte, 5/16-18 x 7/8 In.
24	35214	Flatwasher, 21/64 In.	58	300109	Bracket, Wheel Mount
25	120393	* Flatwasher, 11/32 In.	59	57298	Blade
26	302833	Belt Guard, L.H. Pulley	60	2489	Formed Washer
27	55424	Quill Assembly (incl. Nos. 28-36)	61	38573	Screw, Hex Hd, 3/8-24 x 1 In.
28	1282	Locknut, Flange	62	52584	Wheel, Deck
29	58365	Flatwasher	63	23753	Wheel Axle
30	56390	Pulley	64	45171	Locknut, Flange
31	51449	Spacer	65	120382	Split Lockwasher, 25/64 In.
32	49562	Bearing	66	120377	Nut, Hex, 3/8-18 Thd.
33	50818	Spacer Tube			
34	55547	Quill			

(* Standard Hardware Items - May Be Purchased Locally)

39" RIDING MOWER MODEL 3560-0470



NOTE: ALWAYS USE ORIGINAL EQUIPMENT PARTS. Use of service/replacement parts other than original equipment parts may void your warranty.

WIRING DIAGRAM

This diagram is designed to be used as a wiring diagram.

We recommend that unless you are fully qualified to make repairs on the electrical system on this unit, you take it to a competent repairman for such work or adjustments. If wiring is incorrectly hooked up, engine electrical system can be damaged.

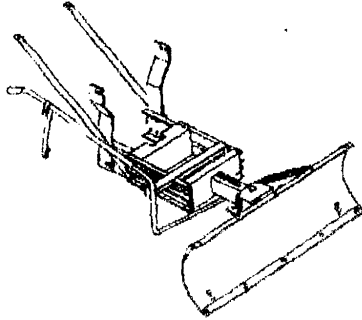
Key No.	Part No.	Description	Key No.	Part No.	Description
1	300133	Ammeter	16	120375	* Nut, Hex, 1/4-20 Thd.
2	300626	Key, Ignition	17	120368	* Nut, Hex, 5/16-24 Thd.
3	48140	Locknut (Switch Part)	18	138485	* Washer, Ext., Shakeproof, 5/16 In.
4	138557	Lockwasher (Switch Part)	19	187745	* Screw, Hex Hd, 1/4-20 x 3/4 In.
5	300887	Switch, Ignition	20	1502	Locknut, Hex, 1/4-20 Thd.
6	302031	Fuse	21	53716	Solenoid
7	300814	Wire Harness Assembly	22		Engine Part
8	57552	Battery Rod	23	54855	Retainer Wire
9	57551	Bracket, Battery, Hold Down	24	41462	Wire Clip, Press
10	27172	* Nut, Kape, 1/4-20 x 5/8 In.	25	303064	Lead Wire, Headlight
11	55511	Ground Wire	26	57736	Screw, #6, Plastic
12	302257	Battery	27	302073	Lens, Headlight
13	120854	* Carriage Boh, 1/4-20 x 5/8 In.	28	53225	Screw, 1/4-20 x 1.25 Hex
14	120392	Flatwasher, 1/4 In.	29	52572	Bulb, Headlight
15	120380	Lockwasher, Split			

(*) Standard Hardware Items - May Be Purchased Locally

Part No. 30735

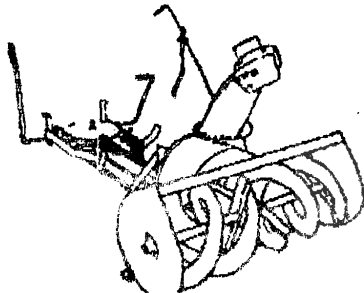
ACCESSORIES

Contact the dealer where your tractor was purchased for the available accessories. If you are unable to contact the dealer, write to the address on the front cover of this manual. **DETAILED MOUNTING AND OPERATING INSTRUCTIONS ARE INCLUDED WITH EACH ACCESSORY.**



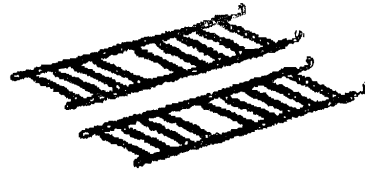
42" SNOW & GRADER BLADE

Rugged, heavy gauge steel blade. Spring loaded blade glides over uneven surfaces. Can be adjusted from seat for straight position, or 35 degrees left or right. Locks in raised position for traveling. Wheel and tire chains are recommended.



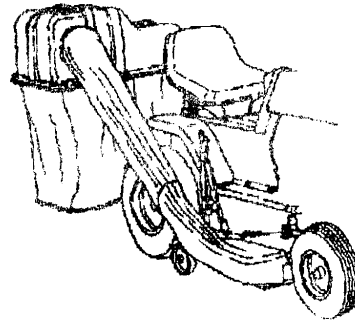
TWO STAGE SNOW THROWER

A powerful two stage snow thrower with a 1/4 inch second stage impeller capable of moving more than 70 tons of snow per hour and throwing it accurately in any direction you choose. Driver controlled discharge chute turns a 160 degree arc. Wheel weights and tire chains are recommended.



TIRE CHAINS

Tire chains for added traction are available. Specify tire size when ordering.



REAR MOUNT GRASS CATCHER

For 40-inch side discharge mower decks. Easy-On Easy-Off chute extension. Includes Easy-To-Dump twin grass collection containers with a 6 bushel capacity.