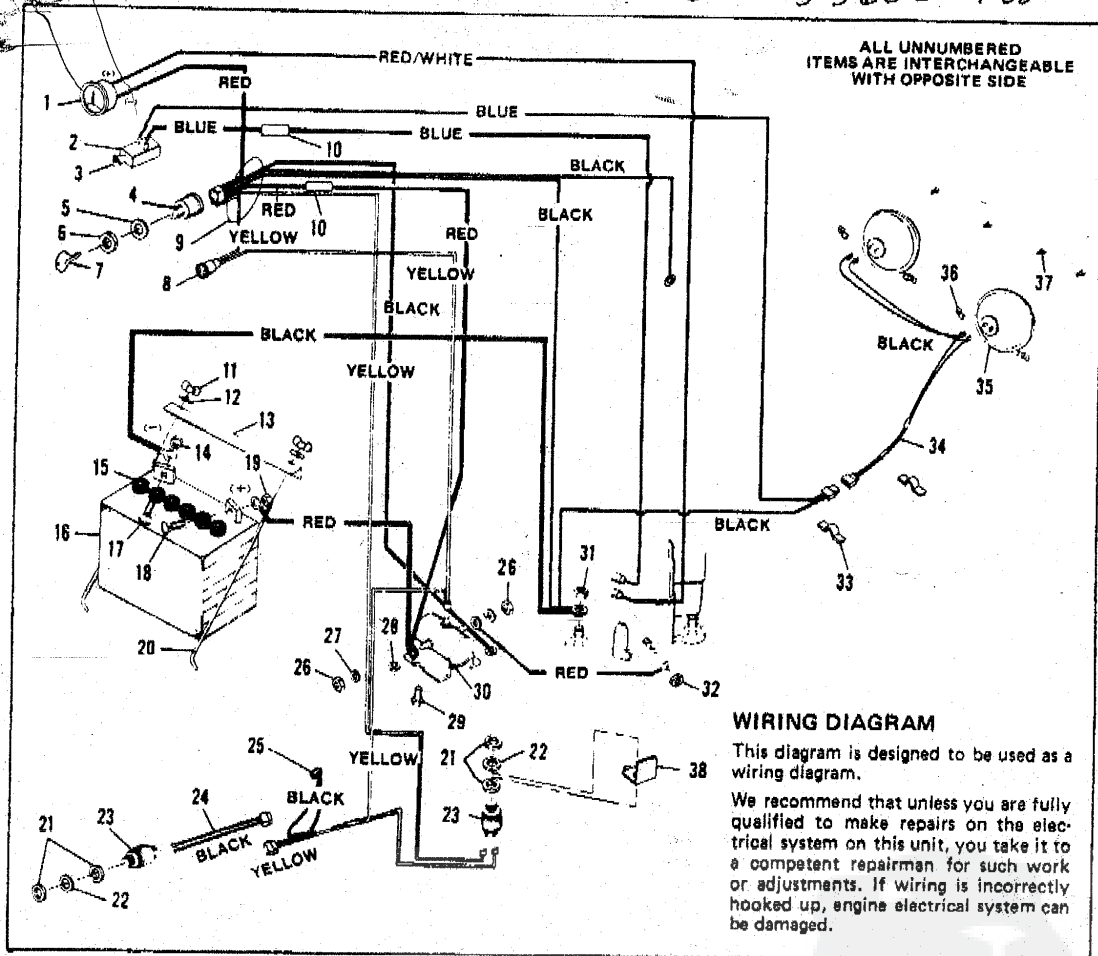


36" RIDING MOWER MODEL 3560-0600 — 050 — 3560-0400

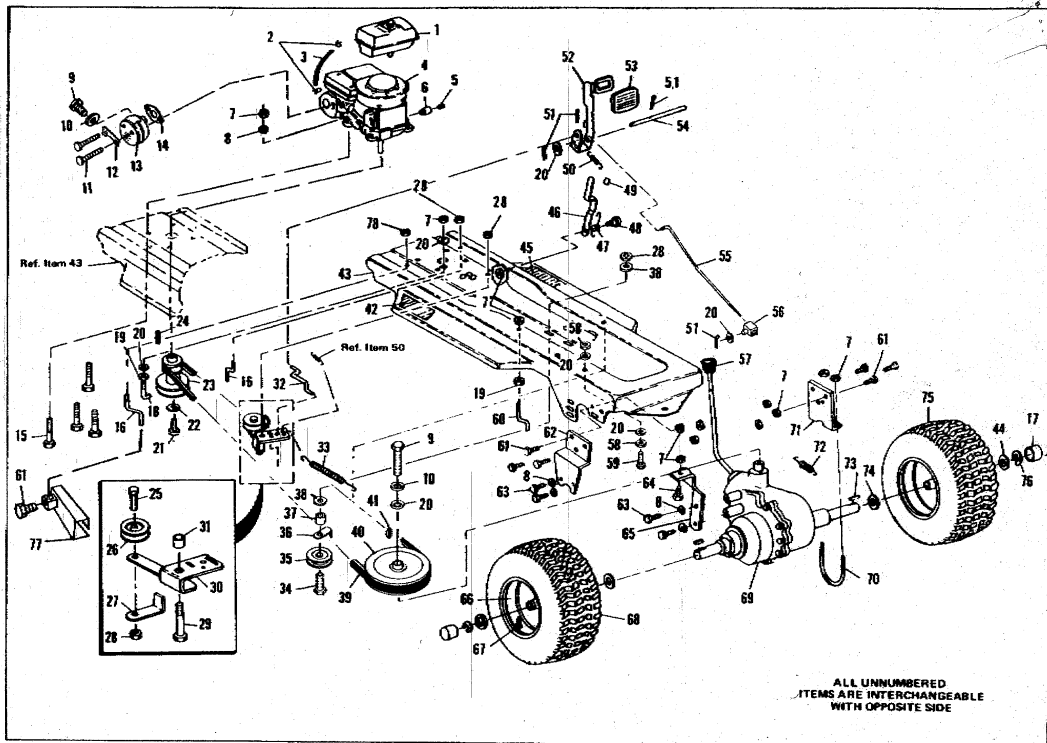


Key No.	Part No.	Description
1	39463	Ammeter
2	40997	Switch w/ Knob, Headlamp
3	40778	Knob, Headlamp Switch
4	44745	Switch, Ignition w/Keys
5	138557	Lockwasher (Switch Part)
6	48140	Locknut (Switch Part)
7	36285	Key, Ignition
8	45333	Indicator Light
9	50072	Wire Harness Assembly
10	49211	Fuse
11	987208	*Wing Nut, Nylock, 1/4-20 Thd
12	120386	*Flatwasher, 1/4 In.
13	40243	Bracket, Battery Hold-Down
14	271172	Nut, Keps, 1/4-20 Thd
15	40892	Cap, Battery
16	2938	Battery
17	110356	*Carriage Bolt, 1/4-20 x 1/2 In.
18	126211	*Carriage Bolt, 5/16-18 x 3/4 In.
19	271184	Nut, Keps, 5/16-18 Thd

*Standard Hardware Items - May Be Purchased Locally.

Key No.	Part No.	Description
20	40234	Battery Rod
21	45877	Nut, (Lockout Switch Part)
22	45878	Lockwasher, (Lockout Switch Part)
23	41204	Switch, Lockout
24	48851	Wire Assembly, Deck Switch
25	42071	Wire Assembly, By-Pass
26	120368	Locknut, Hex, 5/16-24 Thd
27	120638	*Lockwasher, Split, 5/16 In.
28	9424215	Locknut, Hex, 1/4-20 Thd
29	121887	*Screw, Hex Hd, 1/4-20 x 3/4 In.
30	44429	Solenoid
31	9413447	Locknut, Hex, 5/16-18 Thd
32		Engine Part
33	41482	Wire Clip, Press
34	44911	Lead Wire, Headlamp
35	44085	Headlamp
36	42692	Clip, Headlamp Mounting
37	50668	Screw, Taptite, No. 10-16 x 1/2 In.
38	49734	Bracket, Switch Mounting

36" RIDING MOWER MODEL 3560-0600



36" RIDING MOWER MODEL 3560-0600

Key No.	Part No.	Description	Key No.	Part No.	Description	Key No.	Part No.	Description
1	48812	Gas Tank	27	39659	Belt Retainer	53	48761	Rubber Pad, Brake Pedal
2	41008	Clip, Gas Line	28	9413534	Locknut, Hex, 3/16 Thd	54	43966	Shaft, Brake-Clutch Pedal
3	50118	Gas Line	29	28928	Shoulder Bolt	55	49654	Rod, Brake
4	Engine	See Footnote Below	30	46848	Arm, Drive Idler	56	49653	Pivot Block
5	23700	*Pipe Plug, 1/4 In.	31	43953	Spacer	57	29483	Knob, Gear Shift
6	43989	Oil Drain Tube	32	43980	Rod, Clutch	58	271172	Nut, Hex, Keps, 1/4-20 Thd
7	9413447	Locknut, Hex 5/16-18 Thd	33	49276	Spring, Main Drive	59	121979	*Screw, Hex Hd, 1/4-20 x 3
8	120638	*Lockwasher, split, 5/16 In.	34	122207	*Screw, Hex Hd, 3/16 x 3 In.	60	43991	Belt Guide, Transaxle Pulley
9	180020	*Screw, Hex Hd, 1/4-20 x 3/4 In.	35	40223	Pulley, Backside Idler	61	120228	*Screw, Hex Hd, 5/16-18 x 3/4 In.
10	120380	*Flatwasher, Split, 1/4 In.	36	39314	Retainer, Drive Belt, Backside Idler	62	49651	Bracket, Axle, L.H.
11	173063	*Screw, Hex Hd, 5/16-18 x 3 1/2 In.	37	49649	Spacer, Backside Idler	63	180080	*Screw, Hex Hd, 5/16-18 x 1 1/2 In.
12		Engine Part	38	120394	*Flatwasher, 3/8 In.	64	122007	*Screw, Hex Hd, 5/16-18 x 3/4 In.
13	49993	Muffler	39	39454	V-Belt	65	49652	Bracket, Stabilizing
14		Gasket, Muffler (Engine Part)	40	49645	Pulley, Transaxle	66	41105	Wheel
15	122040	*Screw, Hex Hd, 5/16-18 x 1 1/2 In.	41	431787	Key, Woodruff, No. 61	67	24167	Valve Stem
16	50653	Belt Guide, Blade Drive	42	49885	Foot Pad, Left	68	41106	Tire
17	40394	Hub Cap	43	50851	Main Frame	69	Transaxle	Peerless Model 639A (See Warranty, Page 22)
18	49896	Belt Guide, Transmission Drive	44	42815	Foot Pad, Right	70	40124	"U" Bolt
19	271184	Nut, Hex, Keps, 5/16-18 Thd	45	49986	Spring, Parking Brake	71	49650	Bracket, Axle, R.H.
20	120386	*Flatwasher, 1/4 In.	46	43967	Spring, Parking Brake	72	39395	Spring, Brake Return
21	123567	*Screw, Hex Hd, 7/16-20 x 1 In.	47	43968	Shoulder Bolt, Parking Brake	73	39628	Key, 3/16 x 3/16 x 2 1/2 In.
22	120363	*Lockwasher, Split	48	40974	Decal, Parking Brake	74	642	Flatwasher
23	49848	Pulley, Engine	49	67950	Spring, Clutch Pedal	75	41104	Wheel & Tire Assy, Rear
24	32200	Key, Engine Pulley	50	50562	*Pin, Cotter, 3/32 x 3/4 In.	76	36625	"E" Ring, 3/4 In.
25	120918	*Screw, Hex Hd, 3/16 x 1 1/2 In.	51	121222	Brake Pedal Assembly	77	50968	Belt Guard Assembly
26	35374	Pulley, Idler	52	50738		78	41529	Nut, Hex Jam, 3/16 Thd

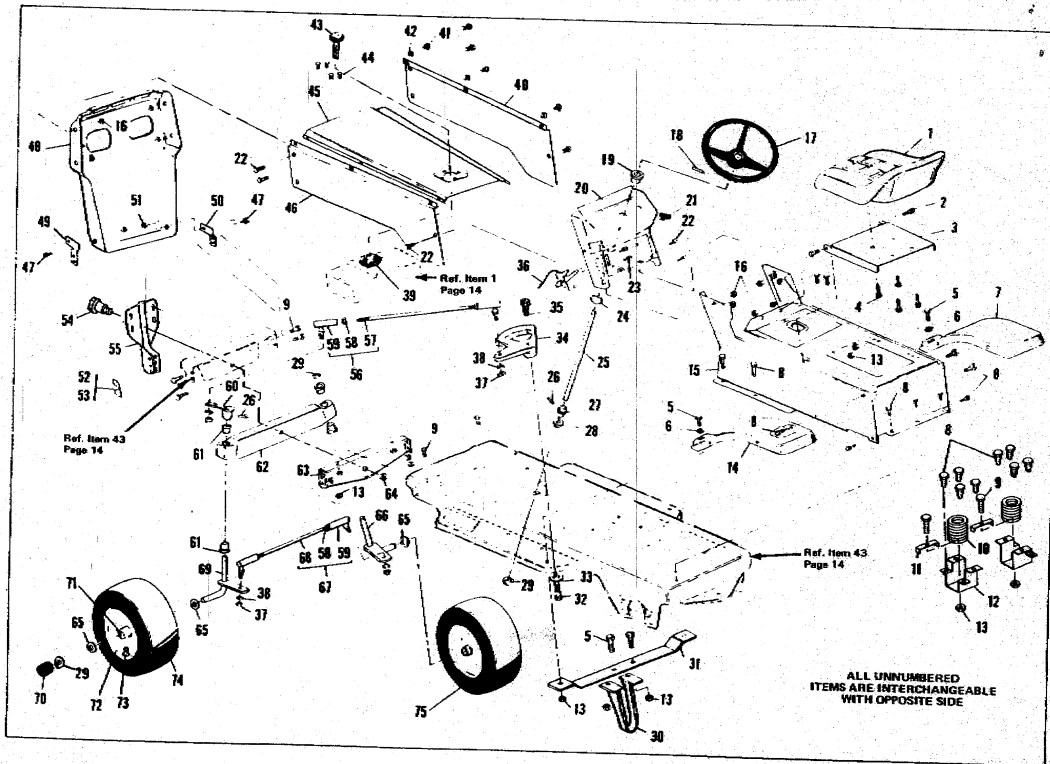
*Standard Hardware Items - May Be Purchased Locally.

Replacement engines and parts are obtainable from Engine Manufacturer's authorized Service Stations who are also to be contacted in regard to the Engine Warranty. See your Engine Manual for location of these stations.

JUL 01 '97 15:29 No. 013 P. 09

JUL 01 '97 15:30 No. 013 P. 10

36" RIDING MOWER MODEL 3560-0600



36" RIDING MOWER MODEL 3560-0600

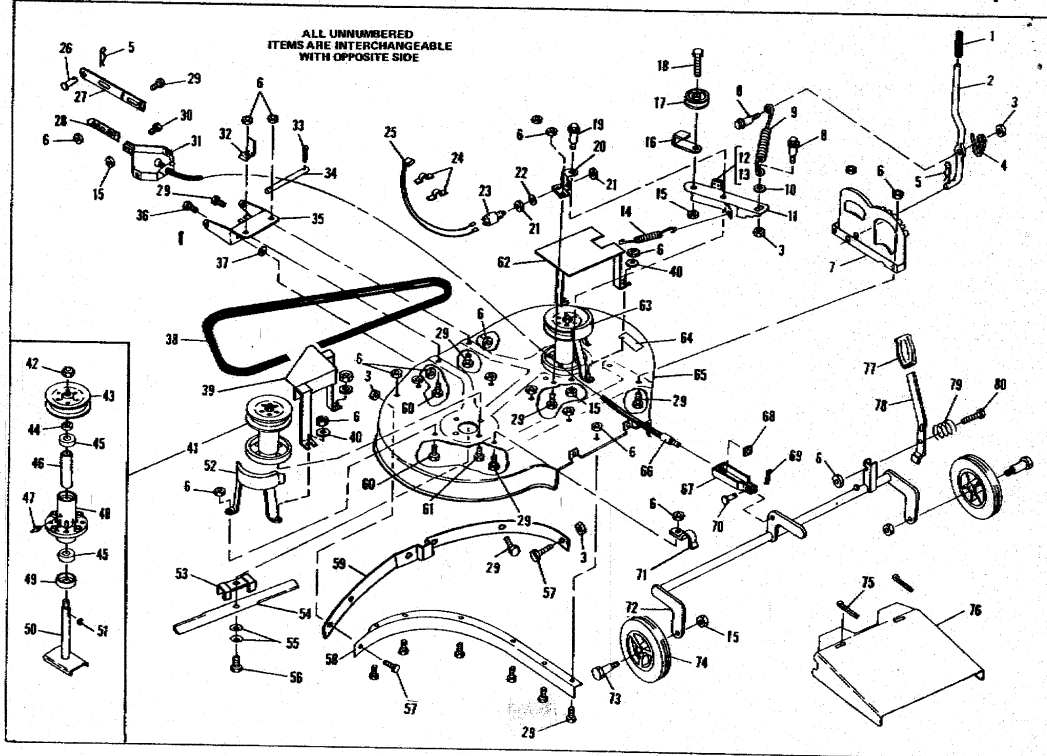
Key No.	Part No.	Description	Key No.	Part No.	Description	Key No.	Part No.	Description
1	46503	Seat	26	454565	Roll Pin	51	9413534	Locknut, 3/8-16 Thd
2	20507	Shoulder Bolt	27	44009	Pinion Gear	52	68027	Decal, Hanger, R.H.
3	49736	Seat Bracket	28	39580	Bearing, Steering	53	68026	Decal, Hanger, L.H.
4	120834	*Screw, Hex Hd, 5/16-18 x 1 1/2 In.	29	36625	"E" Ring	54	50720	Shoulder Bolt, Axle Pivot
5	122017	*Screw, Hex Hd, 5/16-18 x 1 In.	30	44500	Bracket, Deck Guide	55	50719	Bracket, Deck Hanger
6	446363	*Flatwasher, 3/8 In.	31	43964	Bracket, Deck Guide Support	56	44059	Drag Link Assembly
7	49636	Fender, R.H.	32	39573	Screw, Lock, Hex Hd, 3/8-24 x 1 In.	57	44060	Drag Link
8	995346	*Screw, Taprite, 1/4-20 x 1/2 In.	33	2493	Spring Washer	58	124925	Nut, Hex, 3/8-24 Thd
9	120228	*Screw, Hex Hd, 5/16-18 x 3/8 In.	34	44010	Sector Gear	59	21275	Ball Joint
10	49335	Spring	35	44011	Shoulder Bolt, Sector Gear	60	49447	Arm, Steering
11	49339	Clip, Spring	36	50117	Throttle Control Assembly	61	50546	Bearing, Spindle
12	49735	Bracket, Spring Support	37	120369	*Nut, Hex, 3/8-24 Thd	62	44062	Front Axle Assembly
13	9413447	Locknut, Hex, 3/16-18 Thd	38	120382	*Lockwasher, Split, 3/8 In.	63	43988	Bracket, Front Axle Support
14	49637	Fender, L.H.	39	44843	Pad, Vibration	64	274654	Locknut, Hex, 1/4-20 Thd
15	50060	Console Assembly	40	46176	Side Panel, Hood, R.H.	65	642	Flatwasher
16	9424215	Locknut, Hex, 1/4-20 Thd	41	9422616	Screw, Slot Hd, No. 10-16 x 1/2 In.	66	48844	Spindle, Right
17	47083	Steering Wheel	42	46192	Nut, Tinnerman, No. 10-16 Thd	67	48762	Tie Rod Assembly
18	456836	Roll Pin	43	43461	Gas Gauge	68	48764	Tie Rod
19	39432	Bearing, Steering	44	49050	Screw, Plastite, 1/4-10 x 3/4 In.	69	48845	Spindle, Left
20	50077	Dash	45	48835	Hood	70	40394	Hub Cap
21	39486	Knob, Engine Control Lever	46	46295	Side Panel, Hood, L.H.	71	39979	Bearing
22	48900	Screw, Hex Wa. Hd, 1/4-20 x 1 In.	47	120233	*Screw, Hex Hd, 3/8-18 x 1 In.	72	39829	Wheel w/Bearing
23	35287	Screw, Taprite, No. 8-32 x 3/8 In.	48	51200	Grille	73	24167	Valve Stem
24	39492	Retaining Ring	49	47851	Bracket, Grille Support, L.H.	74	41108	Tire
25	44008	Shaft, Steering	50	47852	Bracket, Grille Support, R.H.	75	41107	Wheel & Tire Assy, Front

*Standard Hardware Items - May Be Purchased Locally.

JUL 01 '97 15:30 No. 013 P. 11

JUL 01 '97 15:31 No. 013 P. 12

36" RIDING MOWER MODEL 3560-0600



36" RIDING MOWER MODEL 3560-0600

Key No.	Part No.	Description	Key No.	Part No.	Description	Key No.	Part No.	Description
1	46478	Hand Grip	27	49059	Bar Hitch	54	39311	Blade, 18 In.
2	49130	Lever, Clutch	28	49058	Lock Bracket	55	2483	Formed Washer
3	9424215	Locknut, 1/2-20 Thd	29	120228	*Screw, Hex Hd, 5/16-18 x 3/8 In.	56	35341	Screw, Hex Hd, 3/8-24 x 1 1/2 In.
4	46561	Spring, Clutch Lever	30	120918	*Screw, Hex Hd, 3/8-16 x 1 1/2 In.	57	120854	*Screw, Hex Hd, 1/4-20 x 3/8 In.
5	8260	Hairpin Cotter	31	50613	Pivot Bracket	58	46367	Baffle, L.H.
6	9413447	Locknut, 5/16-18 Thd	32	48856	Bracket, Upstop	59	51264	Baffle
7	51354	Quadrant	33	48675	Cotterpin, 3/16 x 1 1/4 In.	60	122017	*Screw, Hex Hd, 5/16-18 x 1 In.
8	46563	Shoulder Bolt	34	47814	Pin, Pivot	61	50634	Screw, Taprite, 5/16-18 x 3/8 In.
9	46359	Spring, Clutch Lever	35	48676	Lift Support, Plate Assembly	62	51318	Idler Guard Assembly
10	120392	*Flatwasher, 1/4 In.	36	122007	*Screw, Hex Hd, 5/16-18 x 3/8 In.	63	46364	Cover, Pulley, R.H.
11	47523	Idler Arm Assembly (Includes Items 12 and 13)	37	996416	*Flatwasher, 3/8 In.	64	67475	Decal, Height Adjust.
12	41471	Brake Pad	38	49878	V-Belt	65	51263	Mower Deck
13	41601	Rivet, Brake Pad	39	51323	Belt Guard Assembly	66	46512	Lift Cable
14	35410	Spring	40	274517	*Flatwasher, 25/64 In.	67	39404	Clevis, Lift Cable
15	9413534	Locknut, 3/8-16 Thd	41	50701	Quill Assy (Incl. Items 42 - 51)	68	120372	*Square Nut, 1/4-20 Thd
16	46477	Belt Retainer	42	42445	Nut	69	121222	*Cotterpin, 3/32 x 3/8 In.
17	46476	Pulley, Idler	43	50366	Pulley	70	39522	Pin, Clevis
18	122168	*Screw, Hex Hd, 3/8-16 x 1 3/4 In.	44	50324	Spacer	71	42424	Support, Pivot Tube
19	47516	Shoulder Bolt	45	50697	Bearing	72	49673	Pivot Tube Assy
20	47517	Bracket, Idler Arm	46	50618	Spacer	73	23763	Wheel Axle
21	45877	Nut, (lockout switch part)	47	706	Grease Fitting	74	39831	Wheel & Tire Assy, 6 In.
22	45878	Lockwasher, (lockout switch part)	48	50702	Quill Housing	75	120123	Cotterpin
23	41204	Switch, Lockout	49	50616	Dust Shield	76	50993	Chute Extension
24	41482	Clip, Press	50	50888	Saddle & Shaft Assembly	77	20250	Hand Grip
25	48851	Wire Assembly	51	103906	Key	78	49131	Lever, Height Adjust
26	47816	Pull Pin	52	46365	Cover, Pulley, L.H.	79	29170	Spring
			53	47205	Spacer, Blade	80	122040	*Screw, Hex Hd, 5/16-18 x 1 1/2 In.

*Standard Hardware Items - May Be Purchased Locally.

ID: JUL 01 '97 15:31 No. 013 P. 13

ID: JUL 01 '97 15:32 No. 013 P. 14