

**REPAIR PARTS MANUAL**  
**36" - 11 H.P. RIDING MOWER**  
**MODEL 3560-6400**

**WARRANTY**

**ONE YEAR LIMITED WARRANTY**

For one (1) year from date of purchase by the first consumer for residential use (thirty (30) days commercial use), Western International Incorporated warrants that it will replace free of charge, including labor, any original part of any Western International Incorporated product found to be defective by any authorized Service Dealer or the factory, except the battery which is warranted for ninety (90) days from date of purchase.

This warranty does not cover engine, transmission, transaxle or differential (these items are covered by their manufacturer's own warranty). This warranty does not cover parts that have failed due to normal wear or parts that have failed subject to misuse or abuse. Transportation of the unit or part to and from an authorized Service Dealer or the factory is the responsibility of the owner.

A step by step explanation as to what procedure should be followed for this Warranty is:

1. If a part becomes defective, contact the store where the unit was purchased for the name and address of the authorized Service Dealer nearest to you.
2. If you cannot locate an authorized Service Dealer, write Service Department of Western International Incorporated for the name and address of the authorized Service Dealer in your area or call the Service Department at 1-800-247-7464 (outside Iowa), 1-515-265-3461 (Iowa).
3. Return the defective product, along with proof of purchase to such authorized Service Dealer for replacement of any defective part where covered by this warranty.

There is no other express warranty. Implied warranties, including those of merchantability and fitness for a particular purpose are limited to one (1) year from date of purchase. Liability for incidental or consequential damages are excluded.

Some states do not allow limitations on how long an implied warranty lasts, so the above limitation may not apply to you. Some states do not allow the exclusion of incidental or consequential damages, so the above exclusion may not apply to you. This warranty gives you specific legal rights, and you may have other rights which vary from state to state.

**Western International Incorporated      P. O. Box 377      Des Moines, Iowa 50302**

**UNIT PARTS AND SERVICE**

This manual contains repair parts information and instructions for safety. Read the operator's manual carefully and completely so that you will know proper assembly, use and care of your unit. Fill in and mail the registration card packed with the unit. For service other than covered in operator's manual, contact an authorized service dealer. A nationwide parts and service organization has been established to provide locally available parts and service. A list of authorized parts distributors has been included in this manual. When ordering repair parts, always give the following information: 1. The Part Name; 2. The Part Number; 3. The Quantity desired; 4. The Full (eight digit) Model Number of the unit. The model number will be found on a plate attached to the unit.



**Look for this symbol. It means - ATTENTION! BECOME ALERT! A HAZARD TO OPERATOR, BYSTANDERS, PROPERTY OR EQUIPMENT MAY EXIST.**

**WESTERN INTERNATIONAL INCORPORATED**  
**P. O. BOX 377**  
**DES MOINES, IOWA 50302**

Part No. 62899

1086

Price \$2.00

Printed in U.S.A.



## OPERATIONAL PRECAUTIONS

THESE INSTRUCTIONS ARE FOR YOUR PROTECTION. PLEASE READ THEM CAREFULLY.



1. Know the controls and how to stop quickly. READ THIS OPERATOR'S MANUAL and instructions furnished with attachments.
2. Wear safety glasses or eye shields when assembling or operating riding mower.
3. Do not allow children to operate the machine. Do not allow adults to operate it without proper instruction.
4. Do not carry passengers. Do not mow when children and others are around. Disengage power to blade(s) or attachment(s) and stop the engine while others are in the vicinity of the mower.
5. Battery fluid (electrolyte) is an ACID and is extremely dangerous. Do not smoke while servicing the battery. Do not service battery near an open flame or spark.
6. Handle gasoline with care, it is highly flammable.
  - A. Use approved gasoline container.
  - B. Never remove the fuel cap of, or add gasoline to, a running or hot engine, or an engine that has not been allowed to cool for several minutes after running. Never fill the tank indoors and always clean up spilled gasoline immediately.
  - C. Do not smoke while filling fuel tank.
  - D. Do not run the engine indoors. Open doors if engine must be run in garage. Exhaust fumes contain CARBON MONOXIDE, an ODORLESS and DEADLY GAS.
7. Check fuel supply before each use allowing space for expansion as the heat of the engine and/or sun can cause gasoline to expand.
8. Do not operate mower when barefooted. Always wear substantial footwear, preferably steel-toed shoes. Do not wear loose fitting clothing that could get caught in moving parts.
9. Clear the work area of objects (wire, rocks, etc.) which might be picked up and thrown. Check all controls for proper function.
10. Disengage all attachment clutches, shift to neutral, and set parking brake before attempting to start the engine (motor). When starting engine equipped with a pull starter, stand firm and make sure your feet are well away from the blade(s).
11. Disengage power to blade(s) or other attachment(s) and stop the engine (motor) before leaving the operator's position. Always dismount from left side.
12. Disengage power to blade(s) or other attachment(s) and stop the engine (motor) before making any repairs or adjustments.
13. Disengage power to blade(s) or other attachment(s) when transporting or not in use.
14. Take all possible precautions when leaving the vehicle unattended, such as disengaging power to blade(s) or attachment(s), lower the attachment(s), setting the parking brake, stopping the engine (motor), and removing the key.
15. Do not stop or start suddenly when going uphill or downhill. Mow up and down the face of steep slopes; never across the face.
16. Reduce speed and exercise extreme caution on slopes and in sharp turns to prevent tipping or loss of control. Be especially cautious when changing direction on slopes.
17. Stay alert for holes, rocks, and roots in the terrain and other hidden hazards. Keep away from drop-offs. Never operate your riding mower on wet or slippery grass or at a speed which could cause a skid. Exercise care when mowing around a fixed object to prevent the blade(s) from striking it. Never deliberately run over any foreign object.
18. Always disengage blade control lever before attempting to remove the mower from a hole or other obstruction.
19. Use care when pulling loads or using heavy equipment.
  - A. Use only approved drawbar hitch points.
  - B. Limit loads to those you can safely control.
  - C. Do not turn sharply. Use care when backing.
  - D. Use counterweight(s), wheel weights or tire chains when suggested in attachment(s) instructions.
20. Watch for traffic when crossing or near roadways.
21. When using attachment(s), never direct discharge of material toward bystanders nor allow anyone near the vehicle while in operation.
22. Keep the vehicle and attachments in good operating condition, and keep safety devices in place and in working condition.
23. Keep all nuts, bolts, and screws tight to be sure the equipment is in safe working condition.
24. Never store the equipment with gasoline in the tank inside a building where fumes may reach an open flame or spark. Allow the engine to cool before storing in any enclosure.
25. To reduce fire hazard, keep the engine free of grass, leaves, or excessive grease.
26. The vehicle and attachments should be stopped and inspected for damage after striking a foreign object, and the damage should be repaired before restarting and operating the equipment.
27. Do not change the engine governor settings or overspeed engine.
28. When using the vehicle with mower, proceed as follows:
  - A. Mow only in daylight or in good artificial light.
  - B. Never make a cutting height adjustment while the engine (motor) is running if the operator must dismount to do so.
  - C. Shut the engine (motor) off when removing the grass catcher or unclogging chute.
  - D. Check the blade mounting bolts for proper tightness at frequent intervals.
29. Under normal usage, the grass catcher bag material is subject to deterioration and wear. Check bag frequently for deterioration and wear and replace worn bags. Check that replacement bags comply with the original manufacturer's recommendations or specifications.
30. Disengage power to mower before backing up. Do not mow in reverse unless absolutely necessary and then only after careful observation of the entire area behind the mower.

62899/3560-6400/3-5-86/RR, JY

## OWNER'S INFORMATION

Record the following information about your unit so that you will be able to provide it in case of loss or theft.

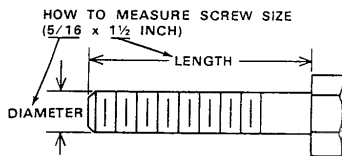
PURCHASE DATE: \_\_\_ / \_\_\_ / \_\_\_ MODEL NO. **3560-6400** CODE NO. \_\_\_\_\_ SERIAL NO. \_\_\_\_\_

DEALER'S NAME AND ADDRESS \_\_\_\_\_

CITY \_\_\_\_\_ STATE \_\_\_\_\_ TELEPHONE \_\_\_\_\_

### CONTENTS OF SHIPPING CARTON

- 1 - 36 inch Riding Mower
- 1 - Engine Manual
- 1 - Operator's Manual
- 1 - Repair Parts Manual
- 1 - Steering Wheel (with roll pin partially installed)
- 1 - Battery
- 1 - Seat
- 1 - Bag of Assembly Parts Containing:
  - 1 - Trough (oil drain)
  - 1 - Battery Hold-Down Bracket
  - 1 - Decorative Rail (long for box end)
  - 2 - Decorative Rails (short for box sides)
  - 1 - Bag of Decorative Rail Mounting Parts Containing:
    - 6 - 1/4 inch Hex Nuts
    - 6 - 1/4 inch Locknuts
  - 1 - Bag of Battery Hold-Down Parts Containing:
    - 2 - 9/32 inch Flatwashers
    - 2 - 1/4 inch Split Lockwashers
    - 2 - 1/4 inch Hex Nuts
  - 1 - Bag of Battery Cable Parts Containing:
    - 1 - 5/16 x 3/4 inch Carriage Bolt
    - 1 - 5/16 inch Keps Nut (star washer attached)
    - 1 - 1/4 x 3/8 inch Carriage Bolt
    - 1 - 1/4 inch Keps Nuts (star washer attached)
  - 1 - Bag of Seat Mounting Parts Containing:
    - 4 - 5/16 inch Split Lockwashers
    - 4 - 5/16 x 1/2 inch Hex Head Screws



### TOOLS REQUIRED FOR ASSEMBLY

- 1 - 1/2 inch Wrench (or adjustable wrench)
- 2 - 7/16 inch Wrenches (or adjustable wrenches)
- 1 - Hammer (plastic or rawhide preferred)

### ⚠ DANGER ⚠

This riding mower can be dangerous if carelessly used.

Read Operator's Manual thoroughly before operating riding mower.

Always wear safety glasses or eye shields while assembling or operating riding mower.

**DO NOT** carry passengers at any time.

Keep hands, feet, hair and loose clothing away from discharge area, underside of mower deck or any moving parts while engine is running.

**DO NOT** allow children or young teenagers to operate or be near riding mower while it is operating.

## NOTICE

The battery for this riding mower is larger than battery shown in your Operator's Manual. Installation is slightly different. Use these instructions for installation instead of instructions in your Operator's Manual.

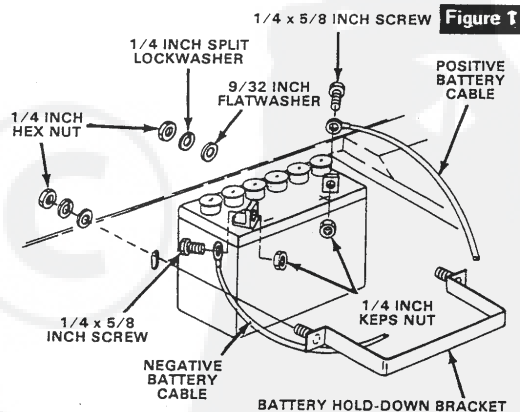
### BATTERY INSTALLATION

1. Raise seat and place battery back into riding mower with terminals toward front of rider (figure 1).
2. Place battery hold-down bracket (figure 1) around battery with studs through holes in back of frame.
3. Secure battery hold-down bracket to back of frame with two 9/32 inch flatwashers, two 1/4 inch split lockwashers and two 1/4 inch hex nuts as shown in figure 1.

## CAUTION

Be sure that battery hold-down bracket does not touch battery terminals. When installing battery cables, install positive (red) cable first. When disconnecting battery cables, disconnect negative (black) cable first. Be sure that wrench does not touch any metal surface or both terminals, as damage to electrical system could result.

4. Attach positive (red) battery cable (figure 1) to positive (+) terminal on battery with a 5/16 x 3/4 inch carriage bolt and a 5/16 inch keps nut.
5. Attach negative (black) battery cable (figure 1) to negative (-) terminal on battery with a 1/4 x 3/8 inch carriage bolt and a 1/4 inch keps nut.



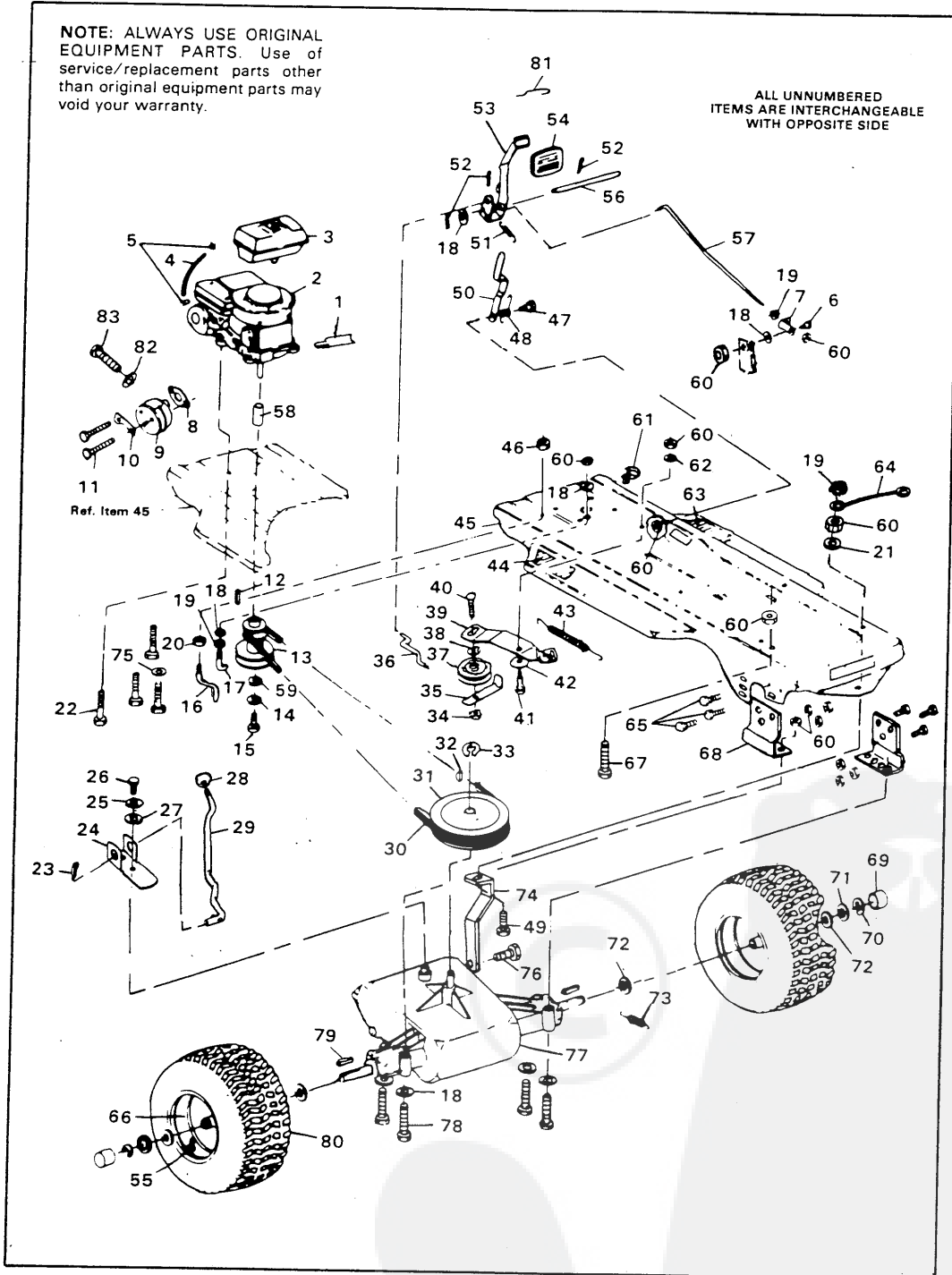
### BATTERY REMOVAL

Removal of battery is reverse of installation. **NOTE:** Be sure to remove negative (black) cable first and do not allow wrench to touch any metal surface or both terminals.

36" RIDING MOWER MODEL 3560-6400

**NOTE: ALWAYS USE ORIGINAL EQUIPMENT PARTS.** Use of service/replacement parts other than original equipment parts may void your warranty.

ALL UNNUMBERED ITEMS ARE INTERCHANGEABLE WITH OPPOSITE SIDE



62899/3560-6400/3-5-86/RR, JY.

## 36" RIDING MOWER MODEL 3560-6400

ALWAYS GIVE THE FOLLOWING INFORMATION WHEN ORDERING REPAIR PARTS:

1. The PART NUMBER; 2. The PART NAME; 3. QUANTITY DESIRED; 4. The MODEL NUMBER (As shown on Model Plate)

SEND PART ORDERS AS PER INSTRUCTIONS ON THE FRONT PAGE

YOUR UNIT IS RIGHT HAND (RH) OR LEFT HAND (LH) AS YOU STAND BEHIND IT.

DO NOT USE KEY NUMBERS WHEN ORDERING REPAIR PARTS. ALWAYS USE PART NUMBERS.

All replacement parts will be supplied in current production colors or in a neutral color.

A handling fee is applicable to small parts orders.

Key No.	Part No.	Description	Key No.	Part No.	Description
1	54873	Trough, Oil Drain	44	54955	Foot Pad, L.H.
2	Engine	§See Footnote Below	45	54751	Main Frame
3	48812	Gas Tank	46	41529	Locknut, 3/8-16 Thd.
4	48049	Gas Line	47	40974	Shoulder Bolt, Parking Brake
5	41008	Clip, Gas Line	48	43968	Spring, Parking Brake
6	20507	Shoulder Bolt	49	122007	Screw, Hex Hd, 5/16-18 x 3/4 In.
7	54723	Bracket, Brake Rod	50	50980	Arm, Parking Brake
8		Gasket, Muffler (Engine Part)	51	50562	Spring, Clutch Pedal
9	49993	Muffler	52	121222	*Pin, Cotter, 3/32 x 3/4 In.
10		Engine Part	53	55722	Brake Pedal Assembly
11	173063	*Screw, Hex Hd, 5/16-18 x 3 1/2 In.	54	53979	Rubber Pad, Brake Pedal
12	56432	Key, Engine Pulley	55	24167	Valve Stem
13	56433	Pulley, Engine	56	43956	Shaft, Brake-Clutch Pedal
14	120383	*Lockwasher, Split, 7/16 In.	57	54715	Rod, Brake
15	181682	Screw, Hex Hd, 7/16-20 x 4 In.	58	56430	Spacer
16	50653	Belt Guide, Blade Drive	59	56431	Washer, Pilot
17	49896	Belt Guide, Trans. Drive Belt	60	9413447	Locknut, Hex 5/16-18 Thd.
18	120386	*Flatwasher, 5/16 In.	61	54888	Retainer, Wire
19	271184	*Nut, Hex, Keps, 5/16-18 Thd.	62	45602	Washer
20	271190	*Nut, Hex, Keps, 3/8-16 Thd.	63	54618	Foot Pad, R.H.
21	138485	Washer, Ex. Lock, 5/16 In.	64	55511	Ground Wire
22	50947	Screw, Hex Hd, 3/8-16 x 1 1/4 In.	65	120228	*Screw, Hex Hd, 5/16-18 x 5/8 In.
23	137185	*Pin, Cotter, 1/8 x 1 In.	66	41105	Wheel, Rear
24	56256	Shift Bracket	67	122017	*Screw, Hex Hd, 5/16-18 x 1 In.
25	50618	Washer, 1/2 In.	68	53768	Bracket, Axle
26	56255	Screw, Nylock, 1/4-28 x 3/4 In.	69	40394	Hub Cap
27	54569	Washer, 9/32 In.	70	36625	"E" Ring
28	55514	Knob, Gear Shift	71	42815	Flatwasher, 3/4 In.
29	55526	Shift Lever	72	642	Flatwasher, 3/4 In.
30	54758	V-Belt	73	35410	Spring, Brake Return
31	55520	Pulley, Transaxle	74	54713	Bracket, Stabilizer
32	3021	Key, Woodruff, No. 606	75	138489	Washer, Internal Lock, 3/8 In.
33	22053	Retaining Ring	76	35498	Screw, Hex Wa. Tap, 5/16-18 x 3/4 In.
34	9413534	Locknut, Hex, 3/8-16 Thd.	77	Transaxle	†Peerless, 4 Speed, Model 900
35	39659	Belt Retainer	78	122077	*Screw, Hex Hd, 5/16-18 x 2 1/2 In.
36	43980	Rod, Clutch	79	39628	Key, 3/16 x 3/16 x 2 1/2 In.
37	35374	Pulley, Idler	80	41106	Tire, Rear
38	274517	*Flatwasher, 13/32 In.	81	55025	Retainer, Brake Pedal Pad
39	53762	Idler Arm	82	120380	Lockwasher, Split, 1/4 In.
40	45892	Carriage Bolt, 3/8-16 x 1 1/2 In.	83	180020	Screw, Hex Hd, 1/4-20 x 3/4 In.
41	41890	Shoulder Bolt	84	62836	Operator's Manual (Not Illust.)
42	4107	Washer, 5/8 In.	85	62899	Parts Manual (Not Illust.)
43	49276	Spring, Main Drive			

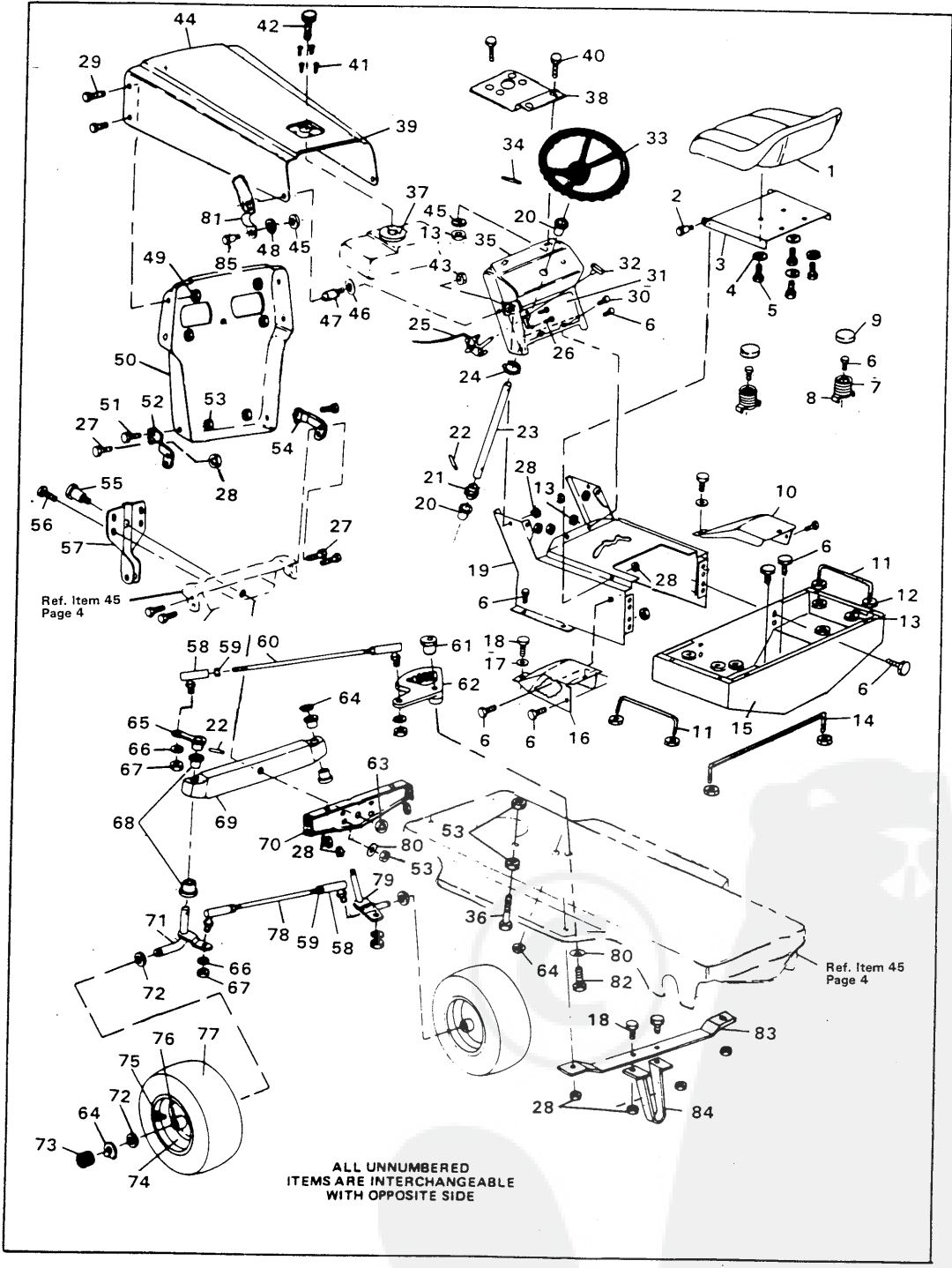
\*Standard Hardware Items - May Be Purchased Locally.

†Contact Tecumseh/Peerless authorized service dealer for parts and warranty

§Contact Engine Manufacturer's authorized service dealer (See Engine Manual) for parts and warranty



36" RIDING MOWER MODEL 3560-6400



62899/3560-6400/3-5-R6/RR JY

### 36" RIDING MOWER MODEL 3560-6400

Key No.	Part No.	Description
1	52272	Seat
2	20507	Shoulder Bolt
3	56196	Seat Bracket
4	120638	*Lockwasher, Split, 5/16 In.
5	120834	*Screw, Hex Hd, 5/16-18 x 1/2 In.
6	995346	*Screw, Taptite, 1/4-20 x 1/2 In.
7	56192	Spring, Seat
8	56060	Clip, Seat Spring
9	56907	Cover, Spring
10	54680	Fender Assembly, R.H.
11	56058	Rail, Box Side
12	120375	*Nut, Hex, 1/4-20 Thd.
13	9424215	Locknut, Hex, 1/4-20 Thd.
14	56057	Rail, Box Rear
15	56056	Body Assembly
16	54681	Fender Assembly, L.H.
17	446363	*Flatwasher, 3/8 In.
18	122017	*Screw, Hex Hd, 5/16-18 x 1 In.
19	56059	Console Assembly
20	54902	Bearing, Steering
21	44009	Pinion Gear
22	454565	*Roll Pin, 1/4 x 1 1/4 In.
23	44008	Shaft, Steering
24	39492	Retaining Ring
25	50117	Lever, Throttle Control
26	35287	Screw, Taptite, No. 8-32 x 3/8 In.
27	120228	*Screw, Hex Hd, 5/16-18 x 3/8 In.
28	9413447	Locknut, Hex, 5/16-18 Thd.
29	273243	Screw, Hex Hd, 1/4-20 x 3/4 In.
30	274672	Screw, Hex Hd, 1/4-20 x 5/8 In.
31	70085	Decal, Dash
32	39486	Knob, Throttle Control Lever
33	55633	Steering Wheel
34	456836	*Roll Pin, 1/4 x 2 1/4 In.
35	53951	Dash Assembly
36	49930	Upstop Bolt
37	54885	Pad, Vibration
38	55387	Bracket, Support
39	55040	Edging, Hood
40	120854	Screw, Hex Hd, 1/4-20 x 5/8 In.
41	49050	Screw, Plasteite, 1/4-10 x 3/4 In.
42	50988	Gas Gauge

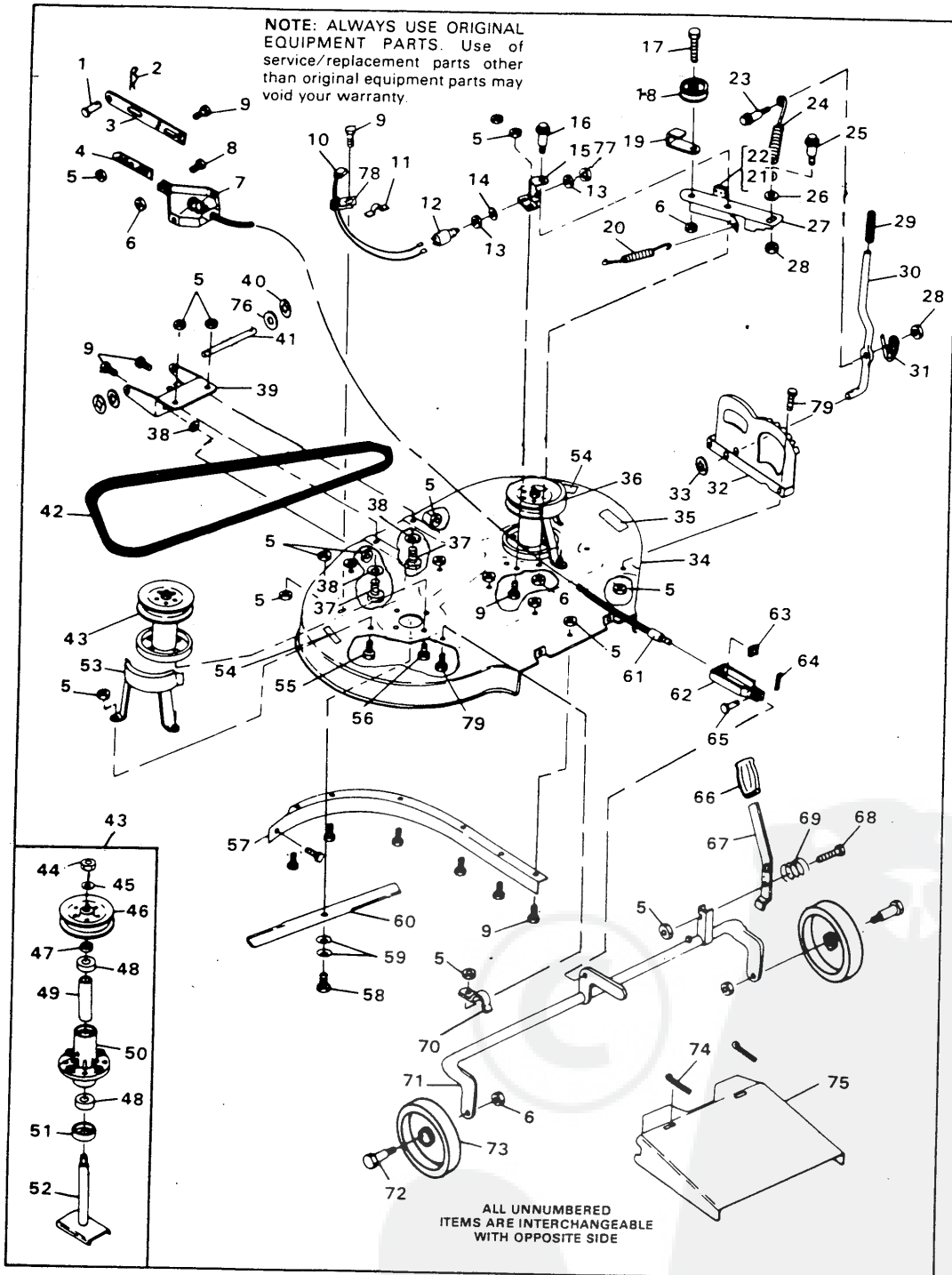
\*Standard Hardware Items - May Be Purchased Locally.

Key No.	Part No.	Description
43	45174	Locknut, Wide Flange, 1/4-20 Thd.
44	53954	Hood
45	120386	*Flatwasher, 5/16 In.
46	138538	Washer, Int. Lock, 5/16 In.
47	53446	Pin, Hood Latch
48	120394	*Flatwasher, 13/32 In.
49	50352	Locknut, Wide Flange, 1/4-20 Thd.
50	53402	Grille
51	120233	*Screw, Hex Hd, 3/8-16 x 1 In.
52	56259	Bracket, Grille Support, L.H.
53	9413534	Locknut, 3/8-16 Thd.
54	56260	Bracket, Grille Support, R.H.
55	50720	Shoulder Bolt, Axle Pivot
56	122201	*Screw, Hex Hd, 3/8-16 x 2 3/4 In.
57	56261	Bracket, Deck Hanger
58	21275	Ball Joint
59	124925	*Nut, Hex, 3/8-24 Thd.
60	56190	Drag Link
61	44011	Shoulder Bolt, Sector Gear
62	48543	Sector Gear
63	274654	Locknut, 1/2-20 Thd.
64	36625	"E" Ring
65	49447	Arm, Steering
66	120382	*Lockwasher, Split, 3/8 In.
67	120369	*Nut, Hex, 3/8-24 Thd.
68	50546	Bearing, Spindle
69	56400	Front Axle Assembly
70	56362	Bracket, Front Axle Support
71	55519	Spindle, Left
72	642	Flatwasher, 3/4 In.
73	40394	Hub Cap
74	39829	Wheel w/Bearing
75	24167	Valve Stem
76	39979	Bearing
77	41108	Tire
78	55666	Tie Rod
79	55518	Spindle, Right
80	2483	Spring Washer
81	55020	Latch, Hood
82	39573	Screw, Hex Hd, Lock, 3/8-24 x 1 In.
83	43964	Bracket, Deck Guide Support
84	49777	Bracket, Deck Guide
85	8482	Shoulder Bolt

62899/3560-6400/3-5-86/RR, JY.

36" RIDING MOWER MODEL 3560-6400

NOTE: ALWAYS USE ORIGINAL EQUIPMENT PARTS. Use of service/replacement parts other than original equipment parts may void your warranty.



ALL UNNUMBERED ITEMS ARE INTERCHANGEABLE WITH OPPOSITE SIDE

62899/3560-6400/3-5-86/RR, JY.



### 36" RIDING MOWER MODEL 3560-6400

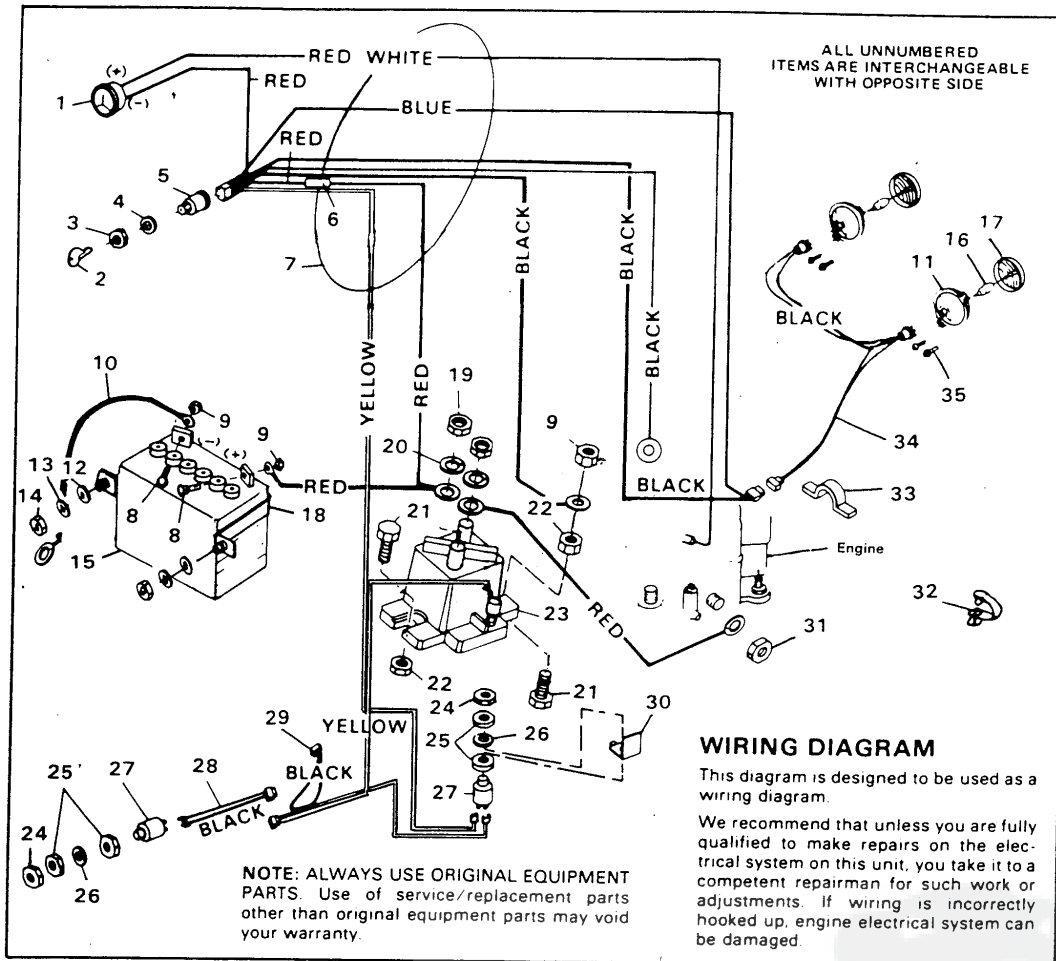
Key No.	Part No.	Description
1	47816	Pull Pin
2	56180	Hairpin Cotter
3	49059	Bar Hitch
4	49058	Lock Bracket
5	9413447	Locknut, 5/16-18 Thd
6	9413534	Locknut, 3/8-16 Thd.
7	50613	Pivot Bracket
8	120918	*Screw, Hex Hd, 3/8-16 x 1 1/2 In
9	120228	*Screw, Hex Hd, 5/16-18 x 3/8 In
10	48851	Wire Assembly
11	41482	Clip, Press
12	41204	Switch, Lockout
13	45877	Nut (Lockout Switch Part)
14	45878	Lockwasher (Lockout Switch Part)
15	47517	Bracket, Idler Arm
16	47516	Shoulder Bolt
17	122168	*Screw, Hex Hd, 3/8-16 x 1 3/8 In
18	52694	Pulley, Idler
19	52695	Belt Retainer
20	35410	Spring
21	41601	Rivet, Brake Pad
22	41471	Brake Pad
23	53696	Shoulder Bolt
24	52636	Spring, Clutch Lever
25	46563	Shoulder Bolt
26	120392	*Flatwasher, 9/32 In.
27	53055	Idler Arm Assy (Incl. Nos. 21 & 22)
28	9424215	Locknut, 1/4-20 Thd.
29	46478	Hand Grip
30	53693	Lever, Clutch
31	46561	Spring, Clutch Lever
32	53247	Quadrant
33	53697	Push Nut
34	55663	Mower Deck
35	68750	Decal, Height Adjust
36	46364	Cover, Pulley, R.H.
37	122007	Screw, Hex Hd, 5/16-18 x 3/4 In.
38	996416	*Flatwasher, 3/8 In.

\*Standard Hardware Items - May Be Purchased Locally

Key No.	Part No.	Description
39	48676	Lift Support, Plate Assembly
40	20864	"E" Ring
41	55724	Pin, Pivot
42	48044	V-Belt
43	56424	Quill Assy (Incl. Nos. 44-52)
44	51445	Locknut, Flange
45	56365	Flatwasher
46	56390	Pulley
47	51449	Spacer
48	49562	Bearing
49	50818	Spacer, Tube
50	55547	Quill
51	50616	Dust Shield
52	56425	Saddle and Shaft Assembly
53	46365	Cover, Pulley, L.H.
54	68746	Decal, Caution
55	122017	*Screw, Hex Hd, 5/16-18 x 1 In.
56	50634	Screw, Tapitite, 5/16-18 x 3/8 In.
57	55655	Baffle, L.H.
58	39573	Screw, Hex Hd, 3/8-24 x 1 In.
59	2483	Formed Washer
60	56821	Blade, 18 In.
61	55880	Lift Cable
62	39404	Clevis, Lift Cable
63	120372	*Nut, Square, 1/4-20 Thd.
64	8260	Hairpin Cotter
65	39522	Pin, Clevis
66	20250	Hand Grip
67	49131	Lever, Height Adjust
68	120696	*Screw, Hex Hd, 5/16-18 x 2 1/4 In.
69	53246	Spring
70	51985	Support, Pivot Tube
71	52613	Pivot Tube Assembly
72	23763	Wheel Axle
73	52584	Wheel
74	120123	*Pin, Cotter, 1/8 x 1 1/4 In.
75	50993	Chute Extension
76	996425	Flatwasher
77	56635	Nut, Hex
78	56546	Retainer, Wire
79	120834	Screw, Hex Hd, 5/16-18 x 1/2 In.

62899/3560-6400/3-5-86/RR, JY.

### 36" RIDING MOWER MODEL 3560-6400



Key No.	Part No.	Description
1	39463	Ammeter
2	49643	Key, Ignition
3	48140	Locknut (Switch Part)
4	138557	Lockwasher (Switch Part)
5	52583	Switch, Ignition w/Keys
6	49211	Fuse
7	56750	Wire Harness Assembly
8	126203	*Carriage Bolt, 1/4-20 x 5/8 In.
9	271172	*Nut, Keps, 1/4-20 Thd.
10	55511	Ground Wire
11	52571	Bezel, Headlight
12	120392	*Flatwasher, 9/32 In.
13	120380	*Lockwasher, Split, 1/4 In.
14	120375	*Nut, Hex, 1/4-20 Thd.
15	52936	Battery
16	52572	Bulb, Headlight
17	52570	Lens, Headlight
18	54740	Bracket, Battery, Hold-Down
19	120368	*Nut, Hex, 5/16-24 Thd.

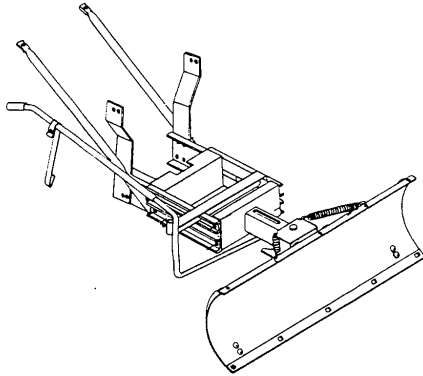
Key No.	Part No.	Description
20	138485	Washer, Shakeproof
21	187745	*Screw, Hex Hd, 1/4-20 x 3/4 In.
22	9424215	Locknut, Hex, 1/4-20 Thd.
23	53716	Solenoid
24	56635	Nut, Hex, 15/32-32 Thd.
25	45877	Nut (Lockout Switch Part)
26	45878	Lockwasher (Lockout Switch Part)
27	41204	Switch, Lockout
28	48851	Wire Assembly, Deck Switch
29	42071	Wire Assembly, By-Pass
30	49734	Bracket, Switch Mounting
31		Engine Part
32	54888	Retainer, Wire
33	41482	Wire Clip, Press
34	56189	Lead Wire, Headlight
35	50668	Screw, Hex Wa. Hd, No. 10-14 x 1/2 In.
36	126216	Carriage Bolt, 5/16-18 x 3/4 In.
37	271184	Nut, Keps, 5/16-18 Thd.

\*Standard Hardware Items - May Be Purchased Locally.

62899/3560-6400/3-5-86/RR..JY.

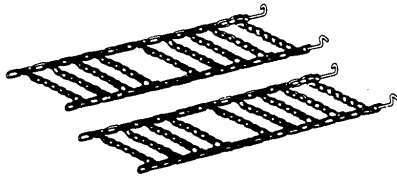
## ACCESSORIES

Contact dealer where riding mower was purchased for available accessories. If unable to contact dealer, write to address on front cover of this manual.



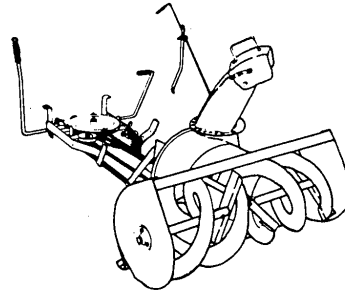
### SNOW BLADE

Rugged heavy gauge spring loaded blade glides over uneven surfaces on heavy duty adjustable skids. Blade position can be adjusted from seat of riding mower for straight position, or 35° left or right. Tire chains and weight box attachments are recommended for use with this blade.



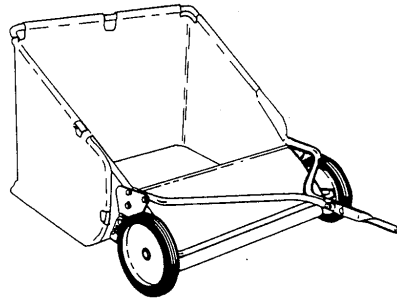
### TIRE CHAINS

Tire chains for added traction are available. Specify tire size when ordering.



### TWO STAGE SNOW THROWER

A powerful two stage snow thrower with a 14" second stage impeller capable of moving more than 70 tons of snow per hour and throwing it accurately in any direction you choose. Drive controlled discharge chute turns a 160° arc.



### LAWN SWEEPER

Features extra heavy duty wheels and heavy duty basket. Basket is water, shrink and mildew proof with big 6 bushel capacity. Dump release and height adjustor can both be operated from riding mower seat.

62899/3560-6400/3-5-86/RR-JY