

**REPAIR PARTS MANUAL  
18 H.P. LAWN TRACTOR  
With 45" Mower Deck  
MODEL 3583-5400**

**ONE YEAR LIMITED WARRANTY**

For one (1) year from date of purchase by the first consumer for residential use (thirty (30) days commercial use), NOMA Outdoor Products Incorporated warrants that it will replace free of charge, including labor, any original part of any NOMA Outdoor Products Incorporated product found to be defective by any authorized Service Dealer or the factory, except the battery which is warranted for ninety (90) days from date of purchase.

This warranty does not cover engine, transmission, transaxle or differential (these items are covered by their manufacturer's own warranty). This warranty does not cover parts that have failed due to normal wear or parts that have failed subject to misuse or abuse. Transportation of the unit or part to and from an authorized Service Dealer or factory is the responsibility of the owner.

A step by step explanation as to what procedure should be followed for this Warranty is:

1. If a part becomes defective, contact the store where the unit was purchased for the name and address of the authorized Service Dealer nearest to you.
2. If you cannot locate an authorized Service Dealer, write Service Department of NOMA Outdoor Products Incorporated for the name and address of the authorized Service Dealer in your area or call the Service Department at 1-901-422-1690.
3. Return the defective product, along with proof of purchase to such authorized Service Dealer for replacement of any defective part where covered by this warranty.

There is no other express warranty. Implied warranties, including those of merchantability and fitness for a particular purpose are limited to one (1) year from date of purchase. Liability for incidental or consequential damages are excluded.

Some states do not allow limitations on how long an implied warranty lasts, so the above limitation may not apply to you. Some states do not allow the exclusion of incidental or consequential damages, so the above exclusion may not apply to you. This warranty gives you specific legal rights, and you may have other rights which vary from state to state.

NOMA Outdoor Products Incorporated      Caller 8000      Jackson, TN 38308-8000

**UNIT PARTS AND SERVICE**

This manual contains instructions for safety, assembly and maintenance. Read this manual carefully and completely so that you will know proper assembly, use and care of your unit. Also fill in and mail the registration card packed with the unit. For service other than covered in this manual, contact an authorized service dealer. A nationwide parts and service organization has been established to provide locally available parts and service. A list of authorized parts distributors has been included in this manual. When ordering repair parts, always give the following information; 1. The Part Name; 2. The Part Number; 3. The Quantity desired; 4. The Full (eight digit) Model Number of the unit. The model number will be found on a plate attached to the unit.



**Look for this symbol. It means - ATTENTION! BECOME ALERT! A HAZARD TO OPERATOR, BYSTANDER, PROPERTY OR EQUIPMENT MAY EXIST.**

NOMA Outdoor Products Incorporated  
Caller 8000  
Jackson, TN 38308-8000

Part No. 300328

2560

Price \$2.00

Printed in U.S.A.



## OPERATIONAL PRECAUTIONS

THESE INSTRUCTIONS ARE FOR YOUR PROTECTION. PLEASE READ THEM CAREFULLY.



1. Know the controls and how to stop quickly. **READ THIS OPERATOR'S MANUAL** and instructions furnished with attachments.
2. Wear safety glasses or eye shields when assembling or operating riding mower.
3. Do not allow children to operate the machine. Do not allow adults to operate it without proper instruction.
4. Do not carry passengers. Do not mow when children and others are around. Disengage power to blade(s) or attachment(s) and stop the engine while others are in the vicinity of the mower.
5. Battery fluid (electrolyte) is an **ACID** and is extremely dangerous. Do not smoke while servicing the battery. Do not service the battery near a open flame or spark.
6. Handle gasoline with care, it is highly flammable.
  - A. Use approved gasoline container.
  - B. Never remove the fuel cap of, or add gasoline to, a running or hot engine, or an engine that has not been allowed to cool for several minutes after running. Never fill the tank indoors and always clean up spilled fuel immediately.
  - C. Do not smoke while filling fuel tank.
  - D. Do not run the engine indoors. Open doors if engine must be run in garage. Exhaust fumes contain **CARBON MONOXIDE**, an **ODORLESS** and **DEADLY GAS**.
7. Check fuel supply before each use allowing space for expansion as the heat of the engine and/or sun can cause gasoline to expand.
8. Do not operate mower when barefooted. Always wear substantial footwear, preferably steel-toed shoes. Do not wear loose fitting clothing that could get caught in moving parts.
9. Clear the work area of objects (wire, rocks, etc.) which might be picked up and thrown. Check all controls for proper function.
10. Disengage all attachment clutches, shift to neutral, and set parking brake before attempting to start the engine (motor). When starting engine equipped with a pull starter, stand firm and make sure your feet are well away from the blade(s).
11. Disengage power to blade(s) or other attachment(s) and stop the engine (motor) before leaving the operator's position. Always dismount from the left side.
12. Disengage power to blade(s) or other attachment(s) and stop the engine (motor) before making any repairs or adjustments.
13. Disengage power to blade(s) or other attachment(s) when transporting or not in use.
14. Take all possible precautions when leaving the vehicle unattended, such as disengaging power to blade(s) or attachment(s), lower the attachment(s), setting the parking brake, stopping the engine (motor), and removing the key.
15. Do not stop or start suddenly when going uphill or downhill. Mow up and down the face of steep slopes: never across the face.
16. Reduce speed and exercise extreme caution on slopes and in sharp turns to prevent tipping or loss of control. Be especially cautious when changing direction on slopes.
17. Stay alert for holes, rocks, and roots in the terrain and other hidden hazards. Keep away from drop-off. Never operate your riding mower on wet or slippery grass or at a speed which could cause a skid. Exercise care when mowing around a fixed object to prevent the blade(s) from striking it. Never deliberately run over any foreign object.
18. Always disengage blade control lever before attempting to remove the mower from a hole or other obstruction.
19. Use care when pulling loads or using heavy equipment.
  - A. Use only approved drawbar hitch points.
  - B. Limit loads to those that you can safely control.
  - C. Do not turn sharply. Use care when backing.
  - D. Use counterweight(s), wheel weights or tire chains when suggested in attachment(s) instructions.
20. Watch for traffic when crossing or near roadways.
21. When using attachment(s), never direct discharge of material toward bystanders nor allow anyone near the vehicle while in operation.
22. Keep the vehicle and attachments in good operating condition, and keep safety devices in place and in working condition.
23. Keep all nuts, bolts, and screws tight to be sure the equipment is in safe working condition.
24. Never store the equipment with gasoline in the tank inside a building where fumes may reach an open flame or spark. Allow the engine to cool before storing in any enclosure.
25. To reduce fire hazard, keep the engine free of grass, leaves or excessive grease.
26. The vehicle and attachments should be stopped and inspected for damage after striking a foreign object, and the damage should be repaired before restarting and operating the equipment.
27. Do not change the engine governor settings or overspeed engine.
28. When using the vehicle with mower, proceed as follows:
  - A. Mow only in daylight or in good artificial light.
  - B. Never make a cutting height adjustment while the engine (motor) is running if the operator must dismount to do so.
  - C. Shut the engine (motor) off when removing the grass catcher or unclogging chute.
  - D. Check the blade mounting bolts for proper tightness at frequent intervals.
29. Under normal usage, the grass catcher bag material is subject to deterioration and wear. Check the bag frequently for deterioration and wear and replace worn bags. Check that replacement bags comply with the original manufacturer's recommendations or specifications.
30. Disengage power to mower before backing up. Do not mow in reverse unless absolutely necessary and then only after careful observation of the entire area behind the mower.

## OWNER'S INFORMATION

Record the following information about your unit so that you will be able to provide it in case of loss or theft.

MODEL NUMBER:     -     (Enter complete 8 digit number from model plate on unit)

PURCHASE DATE: \_\_\_ / \_\_\_ / \_\_\_ CODE NO.: \_\_\_\_\_ SERIAL NO.: \_\_\_\_\_

DEALER'S NAME AND ADDRESS: \_\_\_\_\_

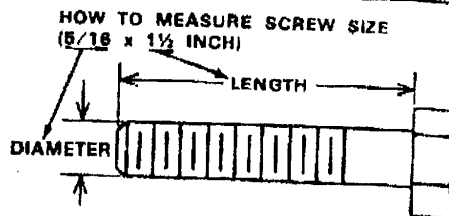
CITY: \_\_\_\_\_ STATE: \_\_\_\_\_ TELEPHONE: \_\_\_\_\_

### CONTENTS OF SHIPPING CARTON

- 1 - Tractor (with 45 inch deck)
- 1 - Operator's Manual
- 1 - Repair Parts Manual
- 1 - Engine Manual
- 1 - Steering Wheel (with roll pin partially installed)
- 1 - Seat
- 1 - Battery
- 1 - Battery Acid Pack
- 1 - Bag of Assembly Parts Containing:
  - 1 - Oil Drain Trough
  - 1 - Battery Hold-Down Bracket
  - 1 - Battery Hold-Down Rod
- 1 - Bag of Battery Hold-Down Parts Containing:
  - 1 -  $\frac{9}{16}$  inch Flatwasher
  - 1 -  $\frac{1}{4}$  inch Split Lockwasher
  - 1 -  $\frac{1}{4}$  - 20 inch Hex Nut
- 1 - Bag of Battery Cable Installation Parts Containing:
  - 2 -  $\frac{1}{4}$  - 20 x  $\frac{9}{16}$  inch Hex Head Screws
  - 2 -  $\frac{1}{4}$  inch Keps, Nuts (Star Washer attached)
- 1 - Bag of Seat Mounting Parts Containing:
  - 4 -  $\frac{9}{16}$  - 18 x  $\frac{1}{4}$  inch Hex Head Screws
  - 4 -  $\frac{9}{16}$  inch Split Lockwashers
  - 4 -  $\frac{1}{2}$  inch Flatwashers

### TOOLS REQUIRED FOR ASSEMBLY

- 1 -  $\frac{7}{16}$  inch Wrench (or adjustable wrench)
- 1 -  $\frac{1}{2}$  inch Wrench (or adjustable wrench)
- 1 - Hammer



**⚠ DANGER ⚠**

This riding mower can be dangerous if carelessly used.

Read your Owner's Manual thoroughly before operating your riding mower.

Always wear safety glasses or eye shields while assembling or operating your riding mower.

DO NOT carry passengers at any time.

Keep your hands, feet, hair and loose clothing away from the discharge area, the underside of the mower deck or any moving parts while the engine is running.

DO NOT allow children or young teenagers to operate or be near your riding mower while it is operating.

**NOTICE**

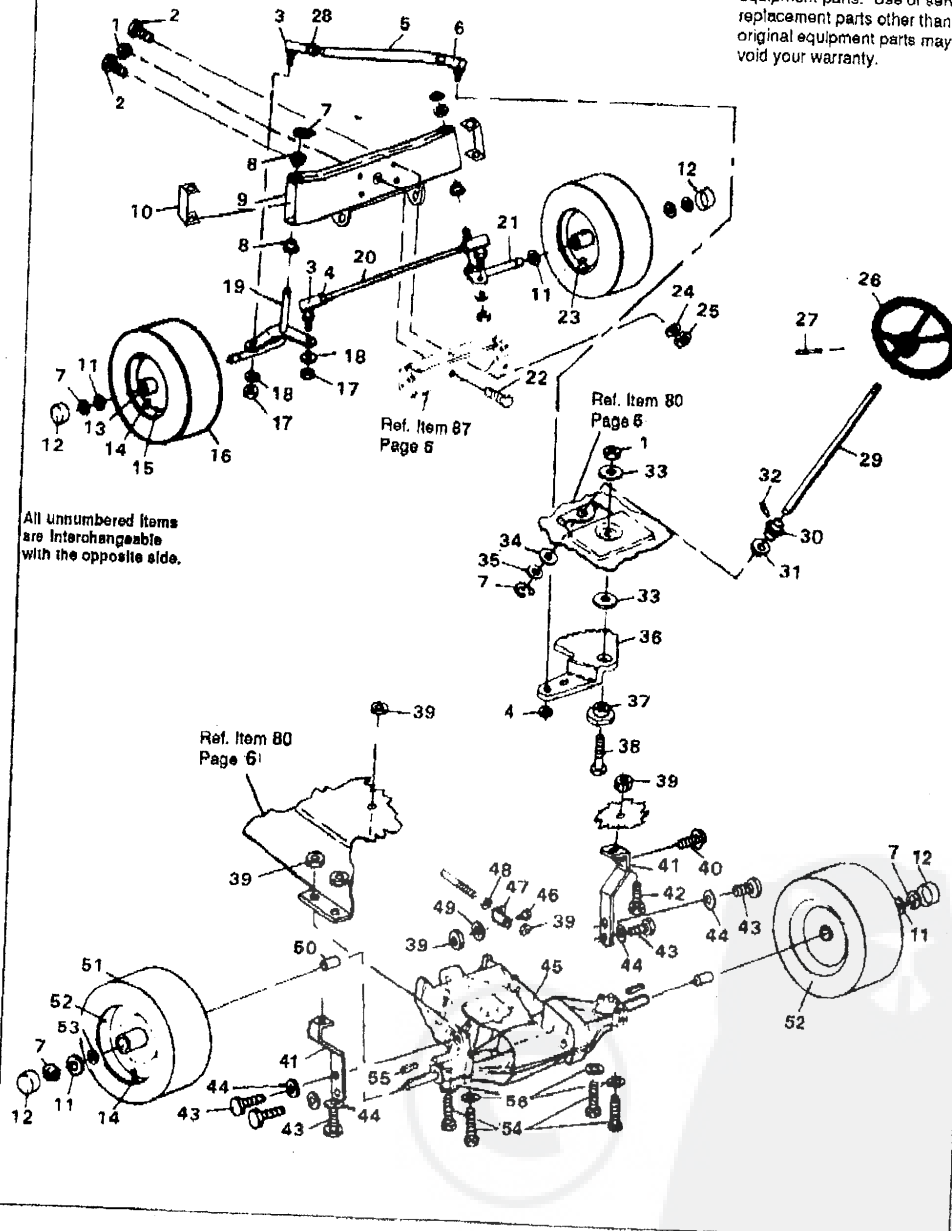
For packaging purposes, the knob may have been removed from the mower clutch lever and placed in the parts bag. Please screw the knob onto the mower clutch lever and tighten it securely.

For packaging purposes, the battery may have been installed on your unit. The battery must be removed from your machine to be serviced. See the **Battery Removal** paragraph in your Operator's Manual for removal instructions.

# Repair Parts

## 45" Lawn Tractor Model 3583-5400

Note: Always use original equipment parts. Use of service/replacement parts other than the original equipment parts may void your warranty.



4

Part No. 309328

## Repair Parts

### 45" Lawn Tractor Model 3583-5400

Always give the following information when ordering repair parts:

1. The **PART NUMBER**;
2. The **PART NAME**;
3. The **QUANTITY DESIRED**;
4. The **MODEL NUMBER** (As shown on Model Plate).

Send your part orders per the instructions on the front page.

To tell if a part is the left or right handed one, stand behind your mower.

Do not use the key numbers when ordering repair parts, **always use the part numbers.**

All replacement parts will be supplied in current production colors or in a neutral color.

A handling fee is applicable to small parts orders.

Key No.	Part No.	Description	Key No.	Part No.	Description
1	1500	Locknut, 1/2-13 Thd.	30	58244	Pinion
2	122207	* Screw, Hex Hd 3/8-16 x 9 In.	31	301410	Bushing
3	302865	Ball Joint Assembly	32	58274	Dowel Pin
4	46692	Nut, Hex Jam 3/8-24 Thd.	33	22265	Washer
5	302864	Drag Link Assembly	34	301398	Flatwasher
6	57158	Ball Joint	35	21682	Flatwasher, 3/4 In.
7	36625	"E" Ring	36	58289	Sector Gear
8	52407	Bearing, Front Spindle	37	52406	Eccentric, Steering Adjust
9	303200	Front Axle Assembly	38	180177	* Screw, Hex Hd 1/2-13 x 1-1/2 In.
10	53373	Cover, Axle End	39	1499	Locknut, Hex 5/16-18 Thd.
11	642	Flatwasher	40	50947	Screw, Wa Hex 3/8-16 x 1-1/4 In.
12	40394	Hub Cap	41	57563	Bracket, Stabilizer
13	49613	Bearing	42	122017	Screw, Hex Hd 5/16-18 x 1 In.
14	24187	Valve Stem	43	35498	Screw, Wa Hex Hd 5/16-18 x 3/4 In.
15	49401	Wheel, Front	44	120638	Washer, 3/28 x .60 x .11
16	57914	Tire, Front	45	Transaxle	Peerless, Model 801
17	120369	* Nut, Hex 3/8-24 Thd.	46	20507	Bolt, 5/16-18
18	120382	* Lockwasher, Split 3/8-In.	47	57217	Bracket, Brake Rod
19	9781	Front Spindle Assembly, L.H.	48	271184	Nut, Hex Keps 5/16-18
20	300327	Tie Rod Assembly	49	45602	Washer, Flat .333 x .87 x .119
21	9180	Front Spindle Assembly, R.H.	50	57744	Spacer, 3/4 x 1-1/4 x 1-41/64 In.
22	58246	Bolt, Front Axle Pivot	51	55893	Tire, Rear
23	706	Zerk, Grease 1/4-28 Thd	52	56356	Wheel Assembly, Rear
24	2483	Spring Washer	53	22053	Retaining Ring
25	1499	Locknut, 3/8-16 Thd.	54	180089	Screw, Hex Hd Cap 5/16-18 x 2-3/4 In.
26	301251	Steering Wheel	55	39629	Square Key
27	456378	Roll Pin, 1/4-2 In.	56	120393	Washer
28	271508	Nut, Jam 7/16-20	57	180089	Screw, Hex Hd Cap 5/16-18 x 2-1/4 In.
29	58243	Shaft, Steering Wheel			

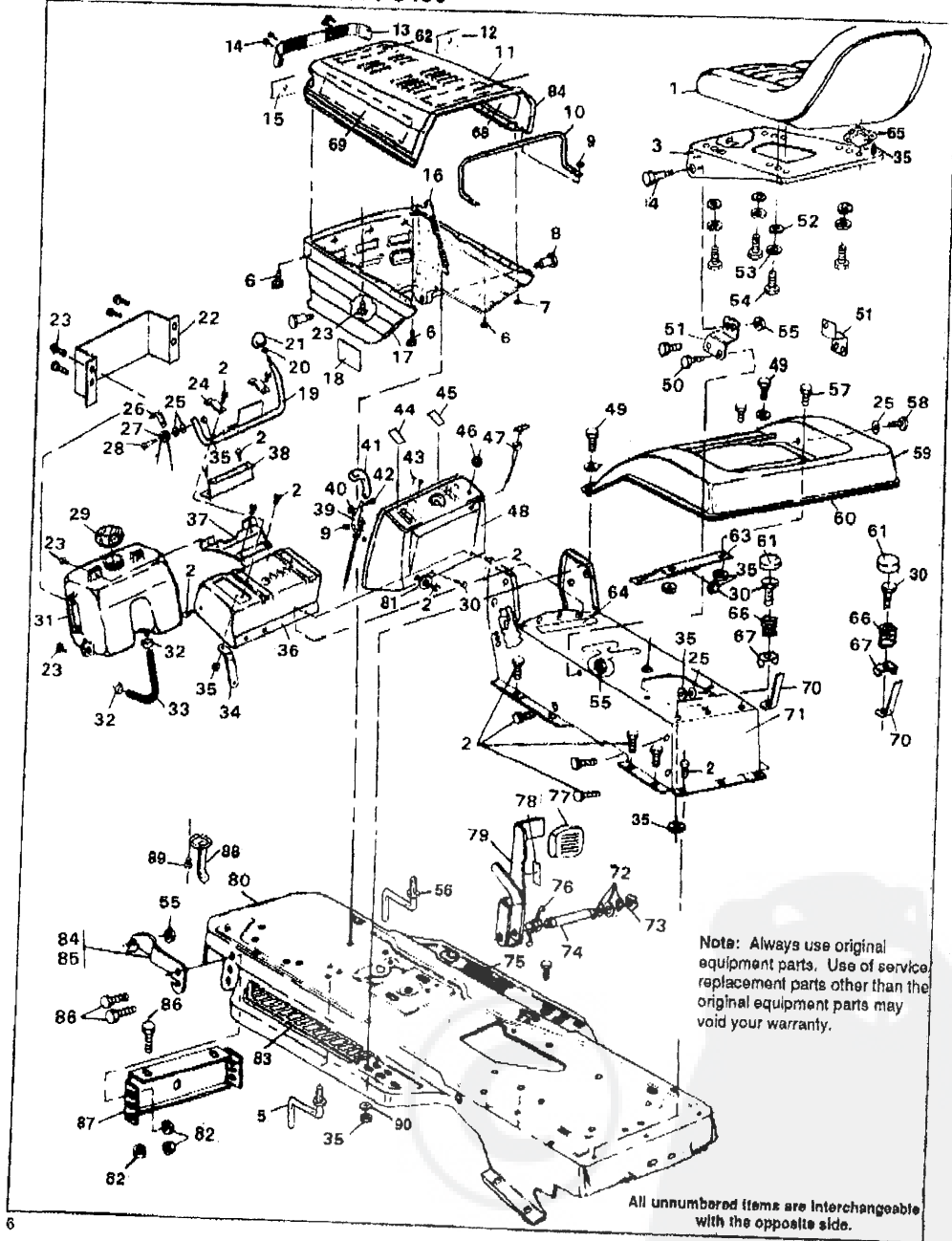
Part No. 308328

(\*) Standard hardware items - may be purchased locally.  
 (\*\*) Contact Tecumseh/Peerless authorized service dealer for parts and warranty.

5

**Repair Parts**

**45" Lawn Tractor Model 3583-5400**



Part No. 509328



**Repair Parts**

**45" Lawn Tractor Model 3583-5400**

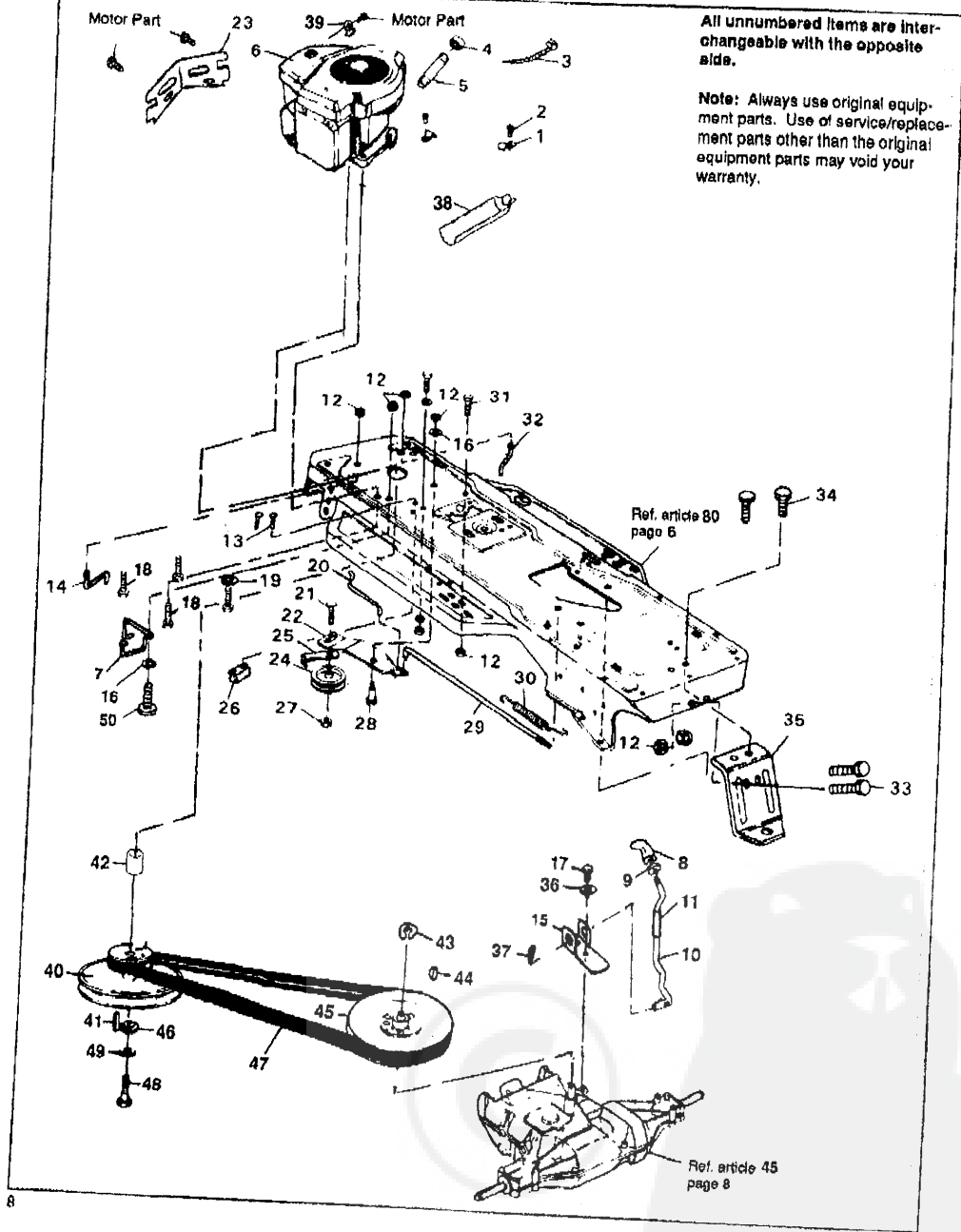
No.	Part No.	Description	Key No.	Part No.	Description
1	307661	Seat	46	300194	Boot, Ignition Switch
2	995346	* Screw, Tapitite 1/4-20 x 1/2 In.	47	300425	Choke Control
3	58221	Mounting Bracket, Seat	48	300175	Dash, Plastic Cover
4	20507	Shoulder Bolt	49	180022	* Screw, Hex Hd 1/4-20 x 1 In.
5	300634	Belt Guide	50	120228	* Screw, Hex Hd 5/16-18 x 5/8 In.
6	300902	Screw, Tapitite #10-24 x 1/2 In.	51	307332	Seat Bracket, Support L.H.
7	301542	Screw, Hex Hd #10-24 x 1 In.	52	120393	* Flatwasher, 1 1/32 In.
8	58676	Shoulder Bolt	53	120638	* Lockwasher, Split 5/16 In.
9	271166	Nut, Keps #10-24 THd.	54	122007	* Screw, Hex Hd 5/16-18 x 3/4 In.
10	301425	Support, Hood	55	1498	Locknut, 5/16-18 Thd.
11	307035	Hood	56	300844	Belt Guide
12	301540	Reflector, Headlight, R.H.	57	995346	Screw, Hex Hd 1/4-20 x 1/2 In.
13	302393	Lens, Headlight	58	180020	* Screw, Hex Hd 1/4-20 3/4 In.
14	57796	Screw, Plastite #6 x 1/2 In.	59	307335	Fender Assembly
15	301541	Reflector, Headlight, L.H.	60	55021	Edging Fender
16	57478	Spring, Hood	61	53205	Cover, Spring
17	303037	Hood, Lower	62	305604	Pad, Hood Foam
18	301452	Decal, Heat Reflector	63	307339	Bracket, Fender
19	9792	Lever, Mower Drive Control	64	305770	Decal, Caution
20	120238	Jam Nut, 1/2-13 Thd.	65	58277	Switch
21	304438	Knob	66	49335	Spring, Seat
22	305598	Heat Shield	67	53744	Clip, Seat
23	300903	Screw, Plastite 1/4-20 x 3/4 In.	68	305602	Pad, Hood Foam
24	9129	Bracket, Retaining	69	305603	Pad, Hood Foam
25	120368	Flatwasher, 1/4 In.	70	300292	Bracket, Seat Stop
26	1288	Bracket, Cable Retainer	71	307374	Console
27	38298	Pulley	72	2968	Spacer, Flatwasher
28	57322	Shoulder Bolt	73	20864	Retaining Ring
29	300304	Cap, Fuel Tank	74	57196	Rod, Clutch Pedal
30	44811	Screw, Tapitite 1/4-20 x 3/4 In.	75	12392	Foot Pad, R.H.
31	303043	Fuel Tank, 2 Gal.	76	57847	Spring, Return
32	41008	Clamp, Fuel Line	77	48160	Pad, Clutch/Brake
33	47452	Tubing, Fuel Line	78	68903	Decal, Parking Brake
34	9197	Brace, Dash	79	300308	Brake Pedal Assembly
35	1502	Locknut, 1/4-20 Thd.	80	307336	Main Frame
36	9132	Dash, Metal	81	120382	Flatwasher, 5/16 In.
37	9744	Bracket, Fuel Tank	82	55273	Nut, Hex 5/16-18 Thd.
38	9208	Brace, Dash & Fuel Tank	83	12381	Foot Pad, L.H.
39	300510	Throttle Control	84	9784	Bracket, Grille, R.H.
40	120622	Nut, Hex #8-32 Thd.	85	9785	Bracket, Grille, L.H.
41	300508	Knob, Throttle Control	86	58030	Screw, Hex Hd 5/16-18 x 3/4 In.
42	159585	Screw, Pan Hd #8-32 x 3/8 In.	87	56361	Bracket, Axle Support
43	159843	Screw, Pan Hd #10-24 x 5/8 In.	88	52077	Exhaust Tube
44	302049	Decal, Dash L.H.	89	35287	Screw, #8-32 x .62
45	300445	Decal, Dash R.H.			

Part No. 309328

(\* Standard hardware items - may be purchased locally.)

# Repair Parts

## 45" Lawn Tractor Model 3583-5400





## Repair Parts

### 45" Lawn Tractor Model 3583-5400

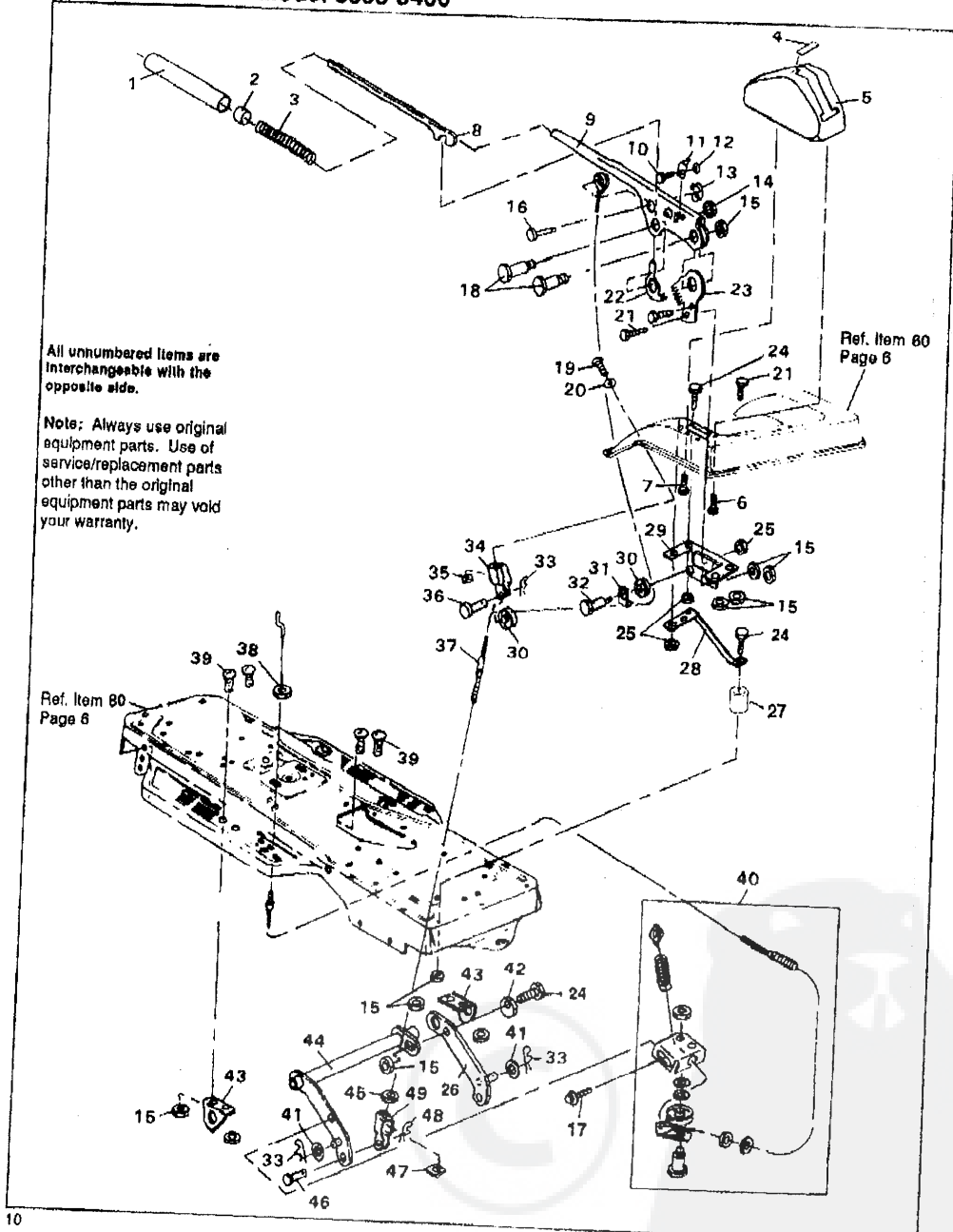
Key No.	Part No.	Description	Key No.	Part No.	Description
1	41482	Clip, Cable	26	57476	Switch
2	35258	Screw, Taplto #10-24 x 3/8 In.	27	1499	Locknut, 3/8-16 Thd.
3	57444	Wire Tie	28	300793	Shoulder Bolt
4	47828	Cap, Oil Drain Tube	29	57203	Brake Rod
5	52404	Tube, Oil Drain	30	56359	Spring, Clutch
6	Engine	See Footnote Below	31	120229	Screw, Hex Hd 5/16-18 x 5/8 In
7	58356	Guide Belt/Drage Link	32	52401	Belt Guide
8	304498	Knob	33	120229	Screw, Hex Hd 5/16-18 x 5/8 In.
9	120238	Jam Nut 1/2-13 Hex	34	48145	Screw, Taplto 3/8-16 x 1 In.
10	302717	Shift Lever	35	307337	Hitch Frame
11	302445	Shift Tube	36	57157	Washer, Special
12	1498	Locknut, Hex 5/16-18 Thd.	37	137185	Colter Pin
13	57220	Scrw, Pan Hd	38	54873	Trough, Oil Drain
14	300634	Belt Guide	39	56538	Wire Retainer
15	302716	Assembly, Shift Bracket	40	305637	Pulley, Engine
16	45602	Washer, 5/16 In.	41	57555	Key, 1/4 x 1/4 x 1-1/2 In.
17	56255	Screw, Hex Hd Nylon .14-28 x 3/4 In.	42	304246	Spacer, Engine Pulley
18	50947	Screw, Taplto 3/8-16 x 1-1/4 In.	43	22053	Ring, Retaining
19	138489	Starwasher	44	3021	Key, Woodruff
20	57204	Rod, Clutch	45	54692	Pulley, Input
21	45892	Carriage Bolt 3/8-16 x 1-1/2 In.	46	56431	Washer, Pilot
22	300154	Idler Arm	47	57558	V-Belt
23	9240	Bulkhead	48	215668	Screw, Hex Hd 7/16-20 x 3/4 In.
24	303031	Pulley, Idler	49	120383	Lockwasher, Split 7/16 In.
25	39659	Belt Retainer	50	180079	Screw, Hex Hd 5/16-18 x 2-1/4 In.

Part No. 309328

(\* Standard hardware items - may be purchased locally.

Repair Parts

45" Lawn Tractor Model 3583-5400



All unnumbered items are interchangeable with the opposite side.

Note: Always use original equipment parts. Use of service/replacement parts other than the original equipment parts may void your warranty.

Ref. Item 80  
Page 6

Ref. Item 80  
Page 6

10

Part No. 309928

**Repair Parts**

**45" Lawn Tractor Model 3583-5400**

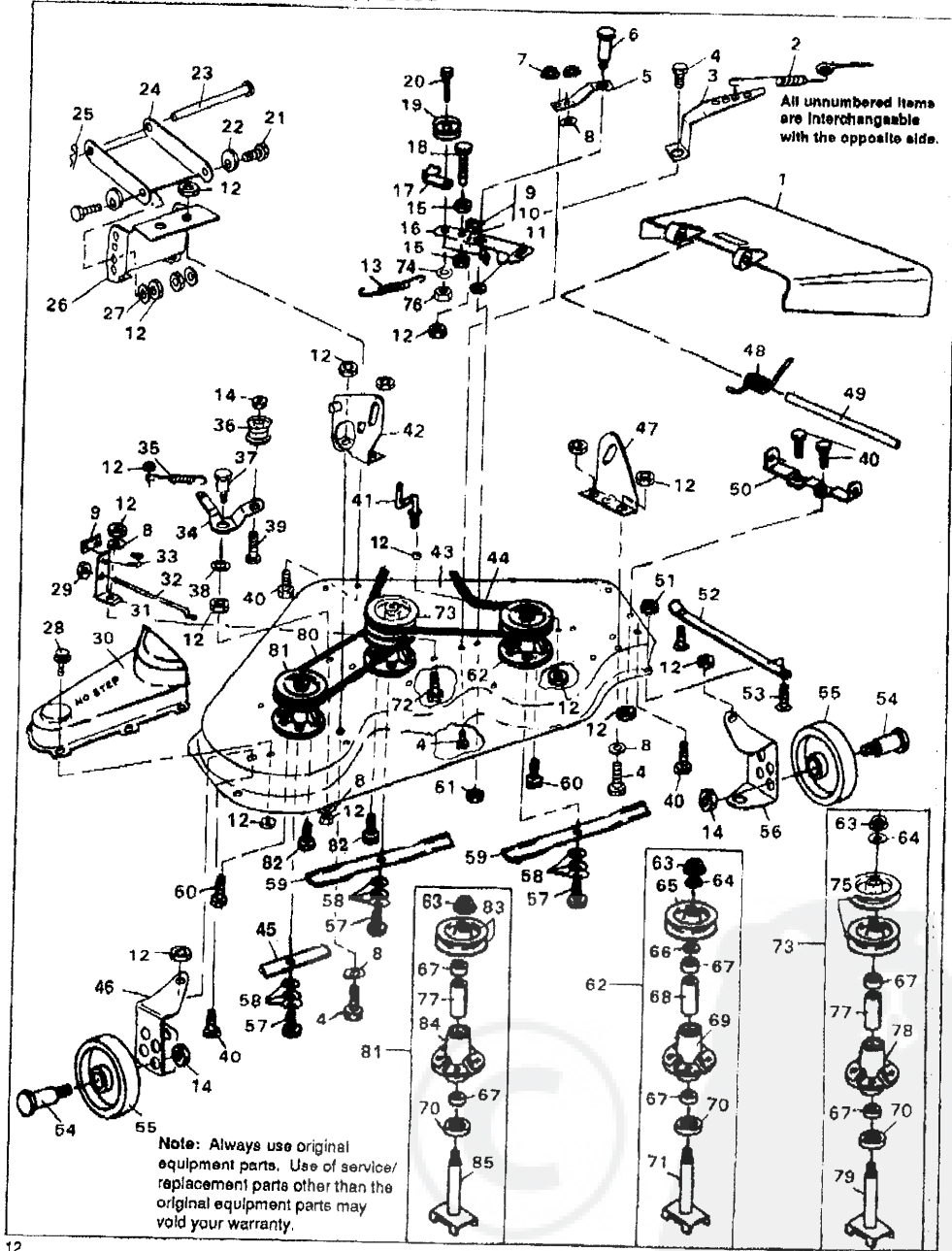
Key No.	Part No.	Description	Key No.	Part No.	Description
1	58329	Hand Grip, Height Adjust Lever	26	9186	Link Assembly, Right Side
2	58325	Knob, Height Adjust Lever	27	57744	Spacer
3	58326	Spring, Height Adjust Lever	28	307334	Brace, Height Adjust Lever Support
4	301897	Decal, Height Adjust	29	58333	Bracket, Height Adjust Lever Support
5	300339	Cover, Height Adjust Lever	30	39298	Pulley
6	300302	Screw, #10 x 1/2 In.	31	9149	Bracket, Retainer
7	301536	Screw, #10 x 1 In.	32	58336	Shoulder Bolt
8	58330	Actuator Rod, Height Adjust Lever	33	8260	Hair Pin Cotter
9	9143	Lever Height Adjust	34	9239	Clevis
10	35287	Screw, Hex Wa Hd #8-32 x 3/4 In.	35	120373	Nut, Square 5/16-18 Thd.
11	9435	Pointer, Height Adjust Lever	36	300317	Pin, Clevis
12	138479	Lockwasher, Ext. Lock	37	302213	Cable, Deck Lift
13	300311	"E" Ring	38	120613	Nut, Hex 1/4-28 Thd.
14	44108	Wide Flange Locknut, 5/16-18 Thd.	39	126211	Carriage Bolt, 5/16-18 x 5/8 In.
15	1486	Locknut, Hex 5/16-18 Thd.	40	301440	Cable Assembly, Blade Engage
16	300310	Pin, Clevis	41	120396	Flatwasher 17/32 In.
17	35498	Screw, Tapite 5/16-18 x 3/4 In.	42	58247	Nut, Adjusting
18	300171	Shoulder Bolt	43	9117	Bracket, Rear Hanger
19	499455	Screw, Pan Hd 5/16-18 x 9/16 In.	44	9569	Rear Lift Assembly
20	301551	Washer, Curved 11/32 In.	45	120375	Nut, Hex 1/4-20 Thd.
21	180077	Screw, Hex Hd 5/16-18 x 3/4 In.	46	39522	Clevis Pin
22	301239	Pawl Assembly	47	120372	Nut, Square 1/4-20 Thd.
23	301238	Quadrant Assembly	48	121222	Pin, Cotter 3/32 x 3/4 In.
24	180079	Screw, Hex Hd 5/16-18 x 1 In.	49	8405	Rear Clevis, Lift Cable
25	1502	Locknut, Hex 1/4-20 Thd.			

Part No. 309320

(\* Standard hardware items - may be purchased locally.)

Repair Parts

45" Lawn Tractor Model 3583-5400



12

Part No. 300328

**Repair Parts**

**45" Lawn Tractor Model 3583-5400**

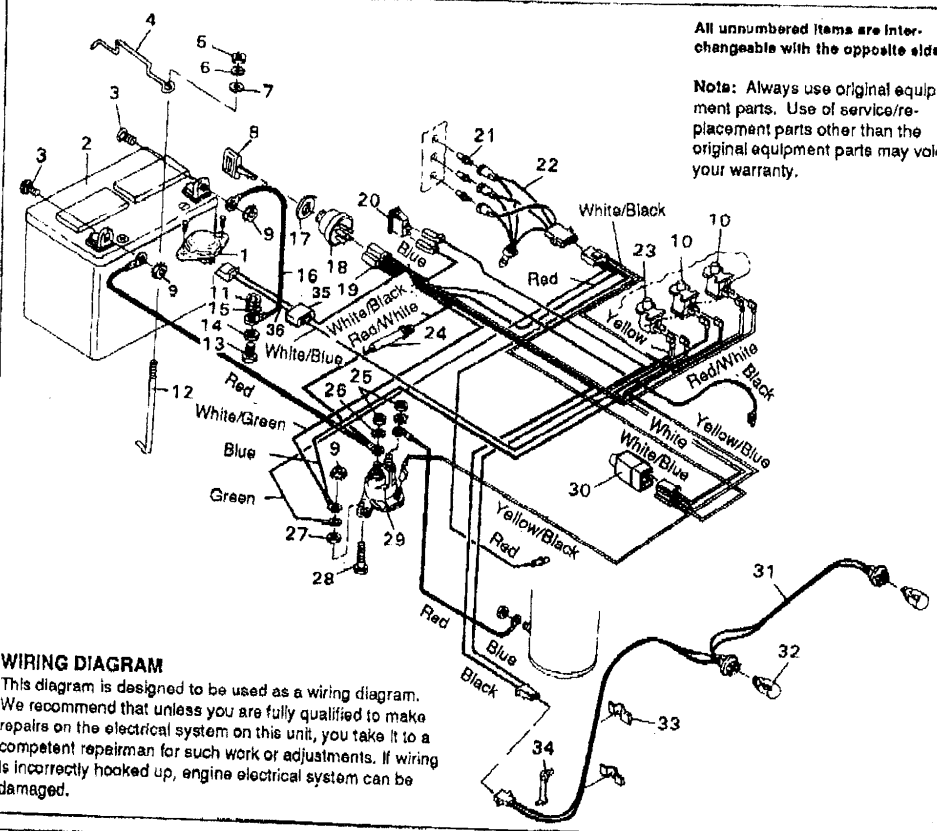
Key No.	Part No.	Description	Key No.	Part No.	Description
1	57818	Chute Guard	46	300103	Bracket, Wheel Mount, L. H.
2	300473	Spring Tension	47	58250	Bracket, Lift R.H.
3	9401	Extension, Idler Arm	48	55767	Spring, Discharge Chute
4	180077	* Screw, Hex Hd 5/16-18 x 3/4 In.	49	57317	Rod, Pivot
5	300179	Bracket, Idler	50	57360	Bracket, Pivot
6	300180	Shoulder Bolt	51	271184	* Nut, Keps 5/16-18 Thd.
7	44108	Nut, Hex Wide Flange 5/16-18 Thd.	52	57314	Skid Bar
8	120993	Flatwasher 11/32 In.	53	128211	* Carriage Bolt, 5/16-18 Thd.
9	306973	Brake Pad	54	23763	Wheel Axle
10	41601	Rivet, Brake Pad	55	52584	Wheel, Deck
11	996416	* Flatwasher 3/8 In.	56	300102	Bracket, Wheel Mount R.H.
12	1498	Locknut 5/16-18 Thd.	57	39579	Screw, Hex Hd 3/8-24 x 1 In.
13	35410	Spring	58	2483	Formed Washer
14	1499	Locknut, 3/8-16 Thd.	59	56921	Blade 36"
15	271172	* Keps Nut, 1/4-20 Thd.	60	300345	* Screw, Hex Hd 5/16-18 x 1-3/8 In.
16	300491	Idler Arm Assembly (Incl Nos. 9 & 10)	61	45171	Wide Flange Locknut 5/16-18 Thd.
17	1346	Retainer, Belt	62	66424	Quill Assembly
18	121954	* Screw, Hex Hd 1/4-20 x 2 In.	63	1282	Locknut, Flange
19	303030	Pulley, Idler	64	56365	Flatwasher
20	57325	Carriage Bolt, 3/8-16 x 2 In.	65	56390	Pulley
21	122017	* Screw, Hex Hd 5/16-18 x 1 In.	66	51449	Spacer
22	58247	Nut, Adjusting	67	49562	Bearing
23	58308	Rod, Deck Hitch	68	50818	Spacer, Tube
24	301091	Bracket, Deck Front	69	55547	Quill
25	8260	Hairpin Cotter	70	50816	Dust Shield
26	58315	Lift Support Plate	71	56425	Saddle & Shaft Assembly
27	35214	Flatwasher, 21/64 In.	72	120228	* Screw, Hex Hd 5/16-18 x 5/8 In.
28	40886	Screw, Taplite 1/4-20 Thd.	73	304076	Quill Assembly
29	1502	Locknut, 1/4-20 Thd.	74	120377	Locknut 3/8-16
30	300238	Belt Guard	75	304077	Pulley
31	303247	Blade Brake Assembly (Incl. Nos. 9 & 33)	76	120382	Lockwasher, Split 3/8
32	300315	Rod, Brake Release	77	58128	Spacer, Tube
33	135624	Rivet, Brake Pad	78	58184	Quill
34	1343	Idler Arm	79	58165	Saddle & Shaft Assembly
35	300215	Spring	80	300142	V-Belt
36	303029	Pulley, Idler	81	58125	Quill Assembly
37	41890	Shoulder Bolt	82	50634	Screw, Hex Hd 5/16-18 x 7/8 In.
38	4107	Flatwasher	83	300294	Pulley Half
39	45892	Shoulder Bolt	84	58162	Quill
40	120834	* Screw, Hex Hd 5/16-18 x 1/2 In.	85	58122	Saddle & Shaft Assembly
41	57318	Retainer, Belt			
42	58251	Bracket, Lift L.H.			
43	305546	Mower Deck			
44	306423	V-Belt			
45	303014	Blade, 9/52 In.			

Part No 306928

(\*) Standard hardware items - may be purchased locally.

## Repair Parts

### 45" Lawn Tractor Model 3583-5400



All unnumbered items are interchangeable with the opposite side.

Note: Always use original equipment parts. Use of service/replacement parts other than the original equipment parts may void your warranty.

#### WIRING DIAGRAM

This diagram is designed to be used as a wiring diagram. We recommend that unless you are fully qualified to make repairs on the electrical system on this unit, you take it to a competent repairman for such work or adjustments. If wiring is incorrectly hooked up, engine electrical system can be damaged.

Key No.	Part No.	Description	Key No.	Part No.	Description
1	57547	Switch, Seat	19	300362	Wire Harness
2	302257	Battery	20	900334	Light Switch
3	120654	Screw, Hex Hd 1/4-20 x 5/8 In.	21	57789	Bulb, Indicator
4	57552	Rod, Battery Top	22	300985	Light Harness
5	120375	Nut, Reg Hex 1/4-20	23	300220	Safety, Switch
6	120380	Washer, Spltd .263 x .49 x .07 In.	24	302031	Fuse
7	120392	Washer, Flat .281 x .63 x .085 In.	25	120368	Nut, Reg Hex 5/16-24
8	300626	Key, Ignition	26	138485	Washer, .320 x .61 x .03
9	271172	Nut, Hex Keys 1/2-20	27	1502	Nut, Reg Hex 1/4-2
10	58277	Switch	28	187745	Screw 1/4-20 x 3/4 In.
11	271184	Nut, Hex Keys 5/16-18	29	53716	Solenoid
12	57551	Rod, Battery	30	57476	Switch
13	122017	Screw, 5/16-18 x 1 In.	31	303064	Assembly, Light Wire
14	1498	Locknut, Reg Hex 5/16-18	32	52572	Bulb, Headlight
15	138538	Washer, Reg .32 x .61 x .02 In.	33	41482	Clip, Press Wire
17	300193	Nut 5/18-32	34	54888	Retainer, Wire
18	300295	Switch	35	305511	Connector
			36	305431	Wire Assembly, Pigtail Seat Switch

14

Part No. 309326

CONTACT ANY OF THE FOLLOWING DISTRIBUTORS: Parts for: HOMKO - LAWN SCOUT - AMF - TURFMASTER - DYNAMARK - or any other CANADIANA, WESTERN INTERNATIONAL INCORPORATED or NOMA OUTDOOR PRODUCTS INCORPORATED product.

**ALABAMA**

Automotive Elect. Serv.  
415-419 Moridian St  
Huntsville, AL 35801  
(205) 539-2131  
AL WATS 800-421-1332  
\*b,c,f,g,h

**CALIFORNIA**

Billious  
75 No D Street  
Porterville, CA 93257  
(209) 784-4102  
CA WATS 800-228-7286  
WATS 800-245-5468  
FAX (209) 784-4108  
(auto)  
\*b,c,e,f,g,h

**COLORADO**

Spitzer Ind. Prod. Co.  
6601 N Washington  
Thornton, CO 80229  
(303) 287-3414  
FAX (303) 287-3549  
(auto)  
\*b,c,e,f,g,h

**FLORIDA**

G.L.O. Products Inc.  
13201 S. Belcher Rd  
Largo, FL 33543  
(813) 530-9723  
FL WATS 800-292-4567  
FAX (813) 539-8603  
(auto)  
\*c,e,h  
Radco Distributors Inc.  
4909 Victor St, Box 5453  
Jacksonville, FL 32207-0459  
(904) 733-7957  
FL WATS 800-727-8701  
FAX (904) 737-9576  
(auto)  
\*b,c,e,g,n

**ILLINOIS**

Garmco Distr. Inc.  
2620 N Mannheim Road  
Franklin Park, IL 60131  
(312) 455-3688  
FAX (312) 455-6069  
(auto)  
\*b,c,e,f,g,h  
Small Engine Parts  
3515 Auburn St.  
Rockford, IL 61103  
(815) 964-1754  
\*c,f,g,h

**INDIANA**

Thompson Sales & Serv.  
2400 W Ridge Road  
Gary, IN 46408  
(219) 880-9282  
FAX (219) 980-3283  
(PBX)  
\*c,e,f,g,h

**IOWA**

Bruce Engine  
1829 N.W. 86th  
Des Moines, IA 50322  
(515) 278-5151  
Recorder WATS  
800-747-1829  
\*b,c,e,f,g,h

**KANSAS**

Coileday Hdqs. Co.  
201 N Plum, Box 766  
Hutchinson, KS 67601  
(316) 663-4477  
\*a,d,o

**KENTUCKY**

Auto-Electric Inc.  
715 W. Hwy 80, Box 671  
Somerset, KY 42501  
(806) 679-1171  
\*c,e,f,g,h  
Cayco Mill Supply Co.  
505 E 1st St.  
Hopkinsville, KY 42240  
(502) 885-3335  
FAX (502) 886-3335  
(PBX ext 43)  
\*b,c,f,g,h  
Kentucky Engine Service  
1003-06 E Broadway  
Louisville, KY 40204  
(502) 587-7976  
\*b,c,e,f,g,h

**LOUISIANA**

United Engine Serv., Inc.  
11923 Cloverland Ave.  
Baton Rouge, LA 70809  
(504) 201-2622  
FAX (504) 292-2442  
(auto)  
\*c,e,f,g,h

**MARYLAND**

Center Supply Co.  
6602 Industrial Dr #202  
Baltimore, MD 21205  
(301) 595-0860  
\*b,c,c,f,g,h  
Kunkel Service Co.  
6252 Frankford Ave  
Baltimore, MD 21206  
(301) 377-4008  
MD WATS 800-492-9896  
FAX (301) 325-1814  
(auto)  
\*b,c,e,f,g,h

**MASSACHUSETTS**

Morton B Collins Co.  
300 Birnie Ave. Box  
70088  
Springfield, MA 01107  
(413) 732-7449  
\*c,e,g,h  
Crandall-Hicks Co.  
80 Oak St  
Westboro, MA 01581  
(617) 898-2808  
MA WATS 800-572-9342  
FAX (617) 898-3160  
(auto)  
\*b,d

**MICHIGAN**

Air Cooled Engine Div.  
1116 26th Ave.  
Menominee, MI 49866  
(906) 863-6332  
MI WATS 800-562-4825  
WATS 800-334-6535  
FAX (906) 863-1204  
(PBX)  
\*c,e,f,g,h

The Factory Branch  
440 E Prospect  
Jackson, MI 49203  
(517) 763-2766  
FAX (517) 783-4155  
(auto)  
\*c,e,f,g,h

**MINNESOTA**

Hance Distr.  
12795 16th Ave. N.  
Plymouth, MN 55441  
(612) 559-2299  
FAX (612) 559-2865  
(auto)  
\*b,c,e,f,g,h

**MISSOURI**

Gunther's Serv. & Supply  
7320 Wornall Road  
Kansas City, MO 64114  
(816) 523-1952  
\*a,c,e,f,g,h  
Wilson Engine & Parts  
Inc.  
4159 Shoreline Drive  
Earth City, MO 63045  
(314) 739-1313  
WATS 800-367-2767  
FAX (314) 739-8767  
(auto)  
\*b,d,e,f,g,h

**NEW JERSEY**

Power Distributors, Inc.  
71 N. Field Ave.  
Edison, NJ 08837  
(201) 225-4922  
FAX (201) 225-4922  
(auto)  
\*c

**NEW YORK**

Looglor & Ladd Inc.  
3950 Broadway, Box 214  
Buffalo, NY 14225  
(716) 684-0600  
\*c,e  
Stiefvater Dist. Inc.  
Clinton Road, Route 12B  
New Hartford, NY 13413  
(315) 853-5581  
\*c,e,f,g,h

**NORTH CAROLINA**

Dixie Sales Co. Inc.  
5920 Summit Ave.  
Box 1408  
Browns Summit, NC  
27402  
(919) 375-7500  
WATS 800-438-1069  
FAX (919) 274-2758  
(auto)  
\*b,e,f,g,h

**OHIO**

American Power Distr.  
2430 Tremainsville Rd.  
Box 5615  
Toledo, OH 43613  
(419) 475-7261  
FAX (419) 475-0457  
(auto after 5.00 pm)  
\*a,b,e,f,g,h

Small Engine Distr.  
5250 N Dixie, Box 14481  
Dayton, OH 45414  
(613) 276-8241  
\*b,d,o,f,g,h

**PENNSYLVANIA**

Bloomont Co.  
11101 Frankstown Road  
Pittsburgh, PA 15235  
(412) 242-1622  
PA WATS 800-344-1200  
WATS 800-431-2716  
FAX (412) 243-5673  
(auto)  
\*b,c,e,f,g,h

Seranton Auto Ignition  
1133-1135 Wyoming Ave  
Seranton, PA 18509  
(717) 342-8133  
\*b,f,g,h

**SOUTH CAROLINA**

Magneto & Eleet Service  
103 Assembly St  
Columbia, SC 29201  
(803) 771-4044  
SC WATS 800 922 1118  
WATS 800-334-4832  
FAX (803) 256-2727  
\*c,e,f,g,h

**TENNESSEE**

Chilton A/C Engines  
319 4th Ave. S.,  
Box 15C805  
Nashville, TN 37201  
(615) 254-1634  
FAX (615) 242-6618  
(auto)  
\*b,c,e,f,g,h

Acc Distr. Inc.  
2103 E. Magnolia Ave.  
Knoxville, TN 37917  
(615) 524-5359  
TN WATS 800-332-9904  
FAX (615) 524-8263  
(auto)  
\*c,e,f,g,h

**TEXAS**

Marr Bros. Inc.  
423 E. Jefferson  
Dallas, TX 75203  
(214) 948-7387  
FAX (214) 946-6259  
(auto)  
\*a,d,e,f,g,h

Midland Small Engine  
Sales  
106 Carlton, Box 4215  
Midland, TX 79704  
(915) 684-6553  
\*b,d,e,f,g,h

**VIRGINIA**

NorVa Small Engines  
7010 Wellington Rd  
Manassas, VA 22110  
(703) 369-3367  
\*c,c,f,g,h

RBI Corporation  
101 Cedar Ridge Rd.  
Lakewood Park  
Ashland, VA 23005  
(804) 798-1535  
FAX (804) 798-2570 (auto)  
\*b,c,f,g,h

**WASHINGTON**

Pacific A/C Engine Inc.  
7625 2nd Ave S  
Seattle, WA 98108  
(206) 767-2724  
\*c,e,f,h

**WISCONSIN**

Praetke A/C Eng.  
4050 N. 126th St  
Brookfield, WI 53005  
(414) 781-7010  
\*c,o,f,g,h  
Wiggert Brothers  
4th & Jay, Box 1267  
La Crosse, WI 54601  
(608) 784-4790  
\*b,c,e,f,g,h

**CANADA**

Noma Outdoor Prod., Inc  
155 Grandia Rd  
Brampton, Ontario L6W  
1W3  
(416) 457-1435  
\*c

Rev. 10/30/80

- (\*) General Information  
Codes:  
(a) Advance Payment  
Required  
(b) Accepts Credit Cards  
(c) C.O.D. okay  
(d) No C.O.D.  
(e) Accessories Available  
(f) Briggs & Stratton dealer  
or distributor  
(g) Tecumseh Powerless  
dealer or distributor  
(h) Foot dealer or  
distributor  
(i) Dealer sales only,  
contact for closest dealer.