

REPAIR PARTS MANUAL 12 H.P. LIGHT GROUND ENGAGING TRACTOR With 45" Mower Deck MODEL 3583-5600

ONE YEAR LIMITED WARRANTY

For one (1) year from date of purchase by the first consumer for residential use (thirty (30) days commercial use), NOMA Outdoor Products Incorporated warrants that it will replace free of charge, including labor, any original part of any NOMA Outdoor Products Incorporated product found to be defective by any authorized Service Dealer or the factory, except the battery which is warranted for ninety (90) days from date of purchase.

This warranty does not cover engine, transmission, transaxle or differential (these items are covered by their manufacturer's own warranty). This warranty does not cover parts that have failed due to normal wear or parts that have failed subject to misuse or abuse. Transportation of the unit or part to and from an authorized Service Dealer or factory is the responsibility of the owner.

A step by step explanation as to what procedure should be followed for this Warranty is:

1. If a part becomes defective, contact the store where the unit was purchased for the name and address of the authorized Service Dealer nearest to you.
2. If you cannot locate an authorized Service Dealer, write Service Department of NOMA Outdoor Products Incorporated for the name and address of the authorized Service Dealer in your area or call the Service Department at 1-801-422-1690.
3. Return the defective product, along with proof of purchase to such authorized Service Dealer for replacement of any defective part where covered by this warranty.

There is no other express warranty. Implied warranties, including those of merchantability and fitness for a particular purpose are limited to one (1) year from date of purchase. Liability for incidental or consequential damages are excluded.

Some states do not allow limitations on how long an implied warranty lasts, so the above limitation may not apply to you. Some states do not allow the exclusion of incidental or consequential damages, so the above exclusion may not apply to you. This warranty gives you specific legal rights, and you may have other rights which vary from state to state.

NOMA Outdoor Products Incorporated Caller 8000 Jackson, TN 38308-8000

UNIT PARTS AND SERVICE

This manual contains instructions for safety, assembly and maintenance. Read this manual carefully and completely so that you will know proper assembly, use and care of your unit. Also fill in and mail the registration card packed with the unit. For service other than covered in this manual, contact an authorized service dealer. A nationwide parts and service organization has been established to provide locally available parts and service. A list of authorized parts distributors has been included in this manual. When ordering repair parts, always give the following information: 1. The Part Name; 2. The Part Number; 3. The Quantity desired; 4. The Full (eight digit) Model Number of the unit. The model number will be found on a plate attached to the unit.



Look for this symbol. It means - ATTENTION! BECOME ALERT! A HAZARD TO OPERATOR, BYSTANDER, PROPERTY OR EQUIPMENT MAY EXIST.

NOMA Outdoor Products Incorporated
Caller 8000
Jackson, TN 38308-8000

Part No. 807622

1489



OPERATIONAL PRECAUTIONS



THESE INSTRUCTIONS ARE FOR YOUR PROTECTION. PLEASE READ THEM CAREFULLY.

1. Know the controls and how to stop quickly. READ THIS OPERATOR'S MANUAL and instructions furnished with attachments.
2. Wear safety glasses or eye shields when assembling or operating riding mower.
3. Do not allow children to operate the machine. Do not allow adults to operate it without proper instruction.
4. Do not carry passengers. Do not mow when children and others are around. Disengage power to blade(s) or attachment(s) and stop the engine while others are in the vicinity of the mower.
5. Battery fluid (electrolyte) is an ACID and is extremely dangerous. Do not smoke while servicing the battery. Do not service the battery near a open flame or spark.
6. Handle gasoline with care, it is highly flammable.
 - A. Use approved gasoline container.
 - B. Never remove the fuel cap of, or add gasoline to, a running or hot engine, or an engine that has not been allowed to cool for several minutes after running. Never fill the tank indoors and always clean up spilled fuel immediately.
 - C. Do not smoke while filling fuel tank.
 - D. Do not run the engine indoors. Open doors if engine must be run in garage. Exhaust fumes contain CARBON MONOXIDE, an ODORLESS and DEADLY GAS.
7. Check fuel supply before each use allowing space for expansion as the heat of the engine and/or sun can cause gasoline to expand.
8. Do not operate mower when barefooted. Always wear substantial footwear, preferably steel-toed shoes. Do not wear loose fitting clothing that could get caught in moving parts.
9. Clear the work area of objects (wire, rocks, etc.) which might be picked up and thrown. Check all controls for proper function.
10. Disengage all attachment clutches, shift to neutral, and set parking brake before attempting to start the engine (motor). When starting engine equipped with a pull starter, stand firm and make sure your feet are well away from the blade(s).
11. Disengage power to blade(s) or other attachment(s) and stop the engine (motor) before leaving the operator's position. Always dismount from the left side.
12. Disengage power to blade(s) or other attachment(s) and stop the engine (motor) before making any repairs or adjustments.
13. Disengage power to blade(s) or other attachment(s) when transporting or not in use.
14. Take all possible precautions when leaving the vehicle unattended, such as disengaging power to blade(s) or attachment(s), lower the attachment(s), setting the parking brake, stopping the engine (motor), and removing the key.
15. Do not stop or start suddenly when going uphill or downhill. Mow up and down the face of steep slopes; never across the face.
16. Reduce speed and exercise extreme caution on slopes and in sharp turns to prevent tipping or loss of control. Be especially cautious when changing direction on slopes.
17. Stay alert for holes, rocks, and roots in the terrain and other hidden hazards. Keep away from drop-off. Never operate your riding mower on wet or slippery grass or at a speed which could cause a skid. Exercise care when mowing around a fixed object to prevent the blade(s) from striking it. Never deliberately run over any foreign object.
18. Always disengage blade control lever before attempting to remove the mower from a hole or other obstruction.
19. Use care when pulling loads or using heavy equipment.
 - A. Use only approved drawbar hitch points.
 - B. Limit loads to those that you can safely control.
 - C. Do not turn sharply. Use care when backing.
 - D. Use counterweight(s), wheel weights or tire chains when suggested in attachment(s) instructions.
20. Watch for traffic when crossing or near roadways.
21. When using attachment(s), never direct discharge of material toward bystanders nor allow anyone near the vehicle while in operation.
22. Keep the vehicle and attachments in good operating condition, and keep safety devices in place and in working condition.
23. Keep all nuts, bolts, and screws tight to be sure the equipment is in safe working condition.
24. Never store the equipment with gasoline in the tank inside a building where fumes may reach an open flame or spark. Allow the engine to cool before storing in any enclosure.
25. To reduce fire hazard, keep the engine free of grass, leaves or excessive grease.
26. The vehicle and attachments should be stopped and inspected for damage after striking a foreign object, and the damage should be repaired before restarting and operating the equipment.
27. Do not change the engine governor settings or overspeed engine.
28. When using the vehicle with mower, proceed as follows:
 - A. Mow only in daylight or in good artificial light.
 - B. Never make a cutting height adjustment while the engine (motor) is running if the operator must dismount to do so.
 - C. Shut the engine (motor) off when removing the grass catcher or unclogging chute.
 - D. Check the blade mounting bolts for proper tightness at frequent intervals.
29. Under normal usage, the grass catcher bag material is subject to deterioration and wear. Check the bag frequently for deterioration and wear and replace worn bags. Check that replacement bags comply with the original manufacturer's recommendations or specifications.
30. Disengage power to mower before backing up. Do not mow in reverse unless absolutely necessary and then only after careful observation of the entire area behind the mower.

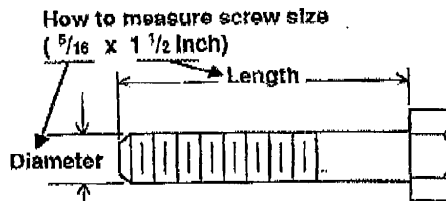
OWNER'S INFORMATION	
Record the following information about your unit so that you will be able to provide it in case of loss or theft.	
MODEL NUMBER: <input type="text"/> <input type="text"/> <input type="text"/> <input type="text"/> - <input type="text"/> <input type="text"/> <input type="text"/> <input type="text"/>	(Enter complete 8 digit number from model plate on unit)
PURCHASE DATE: ___ / ___ / ___	CODE NO.: _____ SERIAL NO.: _____
DEALER'S NAME AND ADDRESS: _____	
CITY: _____	STATE: _____ TELEPHONE: _____

CONTENTS OF SHIPPING CARTON

- 1 - Tractor (with 45 inch deck)
- 1 - Operator's Manual
- 1 - Repair Parts Manual
- 1 - Engine Manual
- 1 - Steering Wheel (with roll pin partially installed)
- 1 - Seat
- 1 - Chute Deflector
- 1 - Battery
- 1 - Battery Acid Pack
- 1 - Bag of Assembly Parts Containing:
 - 1 - Oil Drain Trough
 - 1 - Pivot Rod (chute deflector)
 - 1 - Torsion Spring (chute deflector)
 - 1 - Battery Hold-Down Bracket
 - 1 - Battery Hold-Down Rod
- 1 - Bag of Battery Hold-Down Parts Containing:
 - 1 - $\frac{9}{32}$ inch Flatwasher
 - 1 - $\frac{1}{2}$ inch Split Lockwasher
 - 1 - $\frac{1}{2}$ inch Hex Nut
- 1 - Bag of Battery Cable Installation Parts Containing:
 - 2 - $\frac{1}{4}$ x $\frac{3}{16}$ inch Hex Head Screws
 - 2 - $\frac{1}{4}$ inch Keps, Nuts (star washer attached)
- 1 - Bag of Seat Mounting Parts Containing:
 - 4 - $\frac{9}{16}$ x $\frac{3}{4}$ inch Hex Head Screws
 - 4 - $\frac{9}{16}$ inch Split Lockwashers
 - 4 - $\frac{1}{16}$ inch Flatwashers

TOOLS REQUIRED FOR ASSEMBLY

- 1 - $\frac{7}{16}$ inch Wrench (or adjustable wrench)
- 1 - $\frac{1}{2}$ inch Wrench (or adjustable wrench)
- 1 - Hammer



⚠ DANGER ⚠

This riding mower can be dangerous if carelessly used.

Read your Owner's Manual thoroughly before operating your riding mower.

Always wear safety glasses or eye shields while assembling or operating your riding mower.

DO NOT carry passengers at any time.

Keep your hands, feet, hair and loose clothing away from the discharge area, the underside of the mower deck or any moving parts while the engine is running.

DO NOT allow children or young teenagers to operate or be near your riding mower while it is operating.

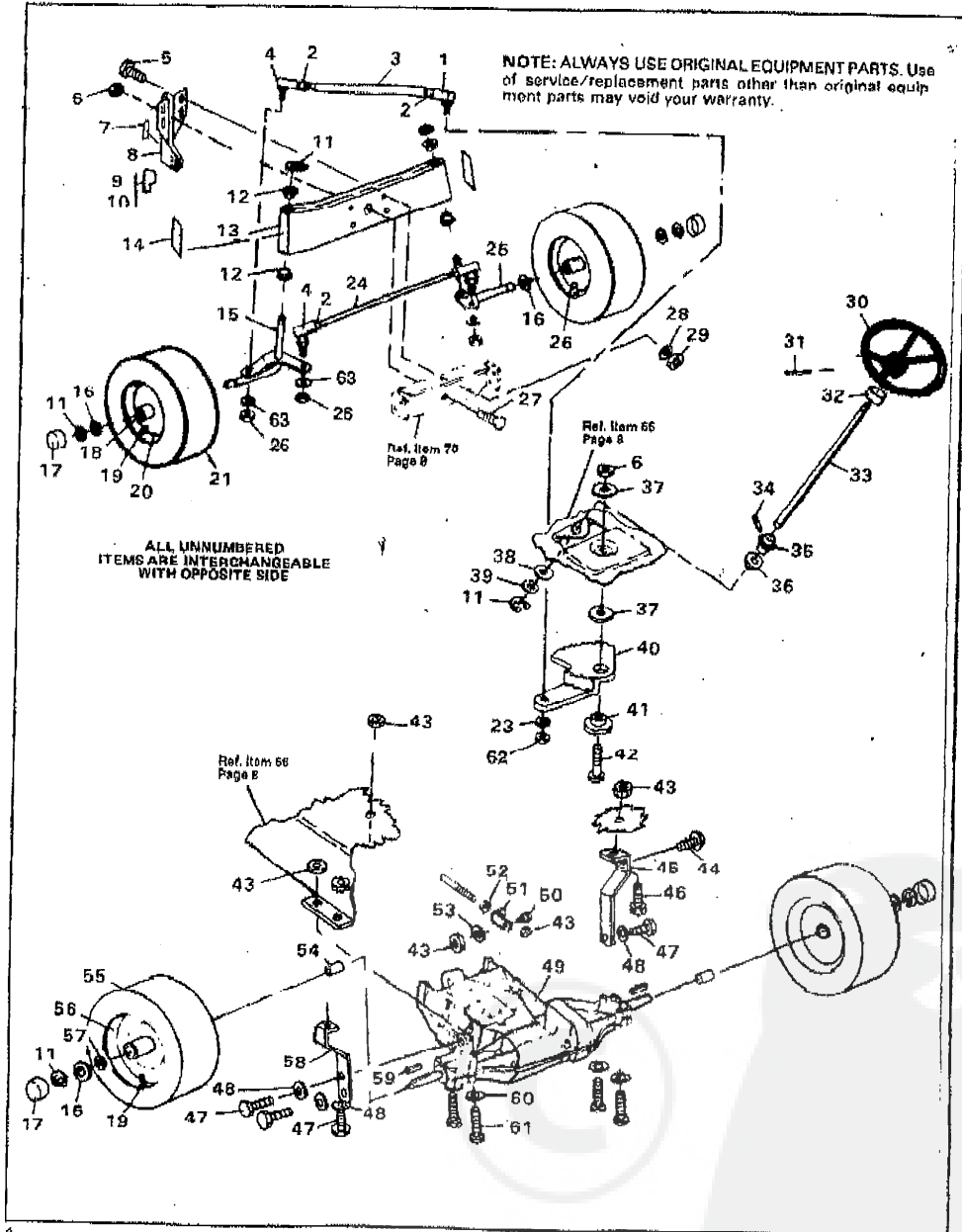
NOTICE

For packaging purposes, the knob may have been removed from the mower clutch lever and placed in the parts bag. Please screw the knob onto the mower clutch lever and tighten it securely.

For packaging purposes, the battery may have been installed on your unit. The battery must be removed from your machine to be serviced. See the Battery Removal paragraph in your Operator's Manual for removal instructions.

Repair Parts

45" Lawn Tractor Model 3583-5600



45" Lawn Tractor Model 3583-5600

Always give the following information when ordering repair parts:

1. The **PART NUMBER**;
2. The **PART NAME**;
3. The **QUANTITY DESIRED**;
4. The **MODEL NUMBER** (As shown on Model Plate).

Send your part orders per the instructions on the front page.

To tell if a part is the left or right handed one, stand behind your mower.

Do not use the key numbers when ordering repair parts, **always use the part numbers.**

All replacement parts will be supplied in current production colors or in a neutral color.

A handling fee is applicable to small parts orders.

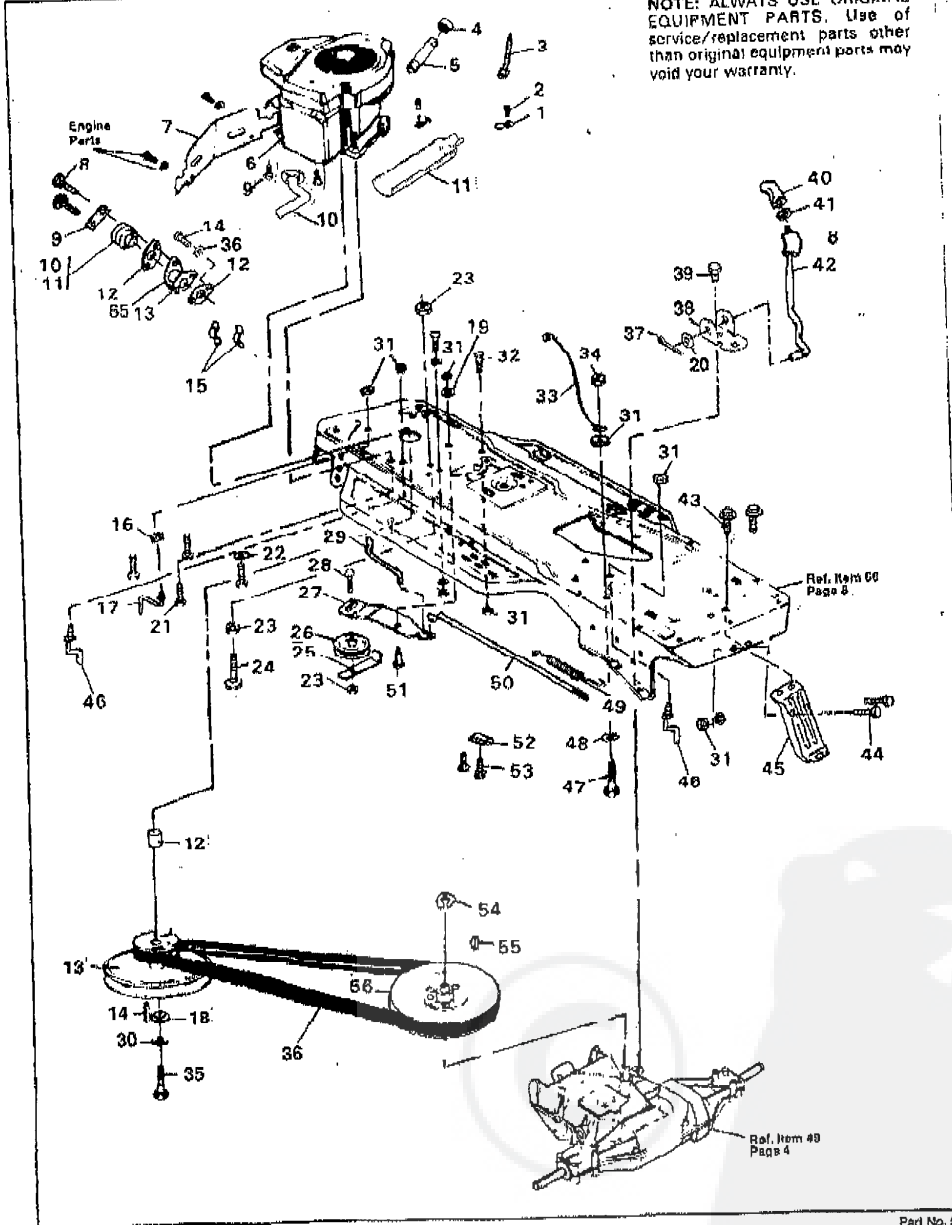
Key No.	Part No.	Description	Key No.	Part No.	Description
1	57158	Ball joint assembly	34	58274	Roll pin 1/4 x 1 3/4 in.
2	124925	Jam nut, Hex 3/8 - 24 Thd.	35	58244	Pinion
3	302883	Drag link	36	301410	Bushing
4	302865	Ball joint assembly	37	22285	Washer
5	122207	Screw, Hex hd 3/8 - 16 x 3 in.	38	901308	Flatwasher
6	1500	Locknut, 1/2 - 13 Thd.	39	21682	Flatwasher
7	305770	Decal caution	40	58269	Sector gear
8	8344	Bracket, deck hanger	41	52406	Eccentric, steering adjust
9	68583	Decal, deck hanger R.H.	42	180177	Screw, Hex Hd. 1/2 - 13 x 1 1/2 in.
10	68584	Decal, deck hanger L.H.	49	1498	Locknut, 5/16-18 Thd.
11	86626	"E" Ring	44	50947	Screw, Tapite, 3/8-16 x 1 1/4 in.
12	52407	Bearing, front spindle	45	57563	Bracket stabilizer
13	304008	Front axle assembly	46	122017	Screw, Hex Hd, 5/16-18 x 3/4 in.
14	53979	Cover, axle end	47	35498	Screw, Tapite, 5/16-18 x 3/4 in.
15	8781	Front spindle assembly L.H.	48	120638	Lockwasher, split 5/16 in.
16	642	Flatwasher	49	Transaxle	* Peerless, 5 speed model 601
17	40394	Hub Cap	50	20507	Shoulder Bolt
18	49813	Bearing	51	57217	Bracket, brake
19	24187	Valve Stem	52	271184	* Nut Keys, 5/16-18 Thd.
20	49401	Wheel w/bearing	53	45602	Washer
21	57914	Tire, front	54	57744	Spacer
22	120369	Nut, Hex 3/8 - 24 Thd.	55	55899	Tire rear
23	120382	Lockwasher, split 3/8 in.	56	56956	Wheel rim
24	300326	Tie rod	57	42815	Flatwasher
25	9180	Front spindle assembly	58	52648	Bracket stabilizer
26	271506	Nut Hex 7/16	59	39628	Key
27	52403	Bolt front axle pivot	60	120393	* Flatwasher, 11/32 in.
28	2405	Formed Washer	61	180089	Screw, Hex Hd, 5/16-18 x 2 3/4 in.
29	1499	Locknut, Hex, 3/8-18 Thd.	62	45692	Jam nut 3/8 - 24 Thd.
30	301251	Steering wheel	63	120383	Lockwasher, Split, 7/16 in.
31	456378	Roll pin 1/4 x 2 1/4 in.	64	21275	Ball joint
32	57212	Cover, steering shaft	65	901938	Operator's manual (not illustrated)
33	58243	Shaft steering wheel	66	307522	Repair parts manual (not illustrated)

(*) Standard hardware items - may be purchased locally.
 (*) Contact Tecumseh/Pearless authorized service dealer for parts and warranty.

Repair Parts

45" Lawn Tractor Model 3583-5600

NOTE: ALWAYS USE ORIGINAL EQUIPMENT PARTS. Use of service/replacement parts other than original equipment parts may void your warranty.



Part No. 807522

45" Lawn Tractor Model 3583-5600

Key No.	Part No.	Description	Key No.	Part No.	Description
1	56538	Wire retainer	29	57204	Rod, clutch
2	35258	Screw, taplite, No. 10 - 24 x 3/8 in.	30	120883	Lockwasher, Split, 7/16 in.
3	57444	Wire tie	31	1498	Locknut, 5/16-18 Thd.
4	47826	Cap, oil drain tube	32	120229	Screw, Hex Hd, 5/16 - 18 x 7/8 in.
5	52404	Tube, oil drain	33	55511	Ground wire
6	engine	See footnote below	34	271184	Nut Keps, 5/16-18 Thd.
7	7399	Bulkhead, hood	35	215667	Screw, Hex hd, 7/16 - 20 x 5 3/4 in.
8	302445	Plastic Tube	36	57556	V-belt
9	35287	Screw, Hex Wa Hd, No. 8-32 x 3/4 in.	37	137185	Pin, Cotter, 1/8 x 1 in.
10	52077	Exhaust tube	38	57480	Bracket shift
11	54879	Oil trough drain	39	56255	Screw, Nylock 1/4 - 28 x 3/4 in.
12	304246	Spacer, engine pulley	40	304439	Knob, Gear Shift
13	305637	Pulley, engine	41	120238	Jam Nut, 1/2-18 Thd.
14	57555	Key square	42	302717	Shift lever
15	41482	Retainer, Harness, Press-On	43	48148	Screw, taplite 3/8 - 16 x 1 in.
16	271190	Nut, Hex Keps, 3/8-16 Thd.	44	120228	Screw, Hex hd, 5/16-18 x 5/8 in.
17	300634	Belt guide	45	304005	Hitch, tractor
18	56431	Washer, pilot	46	52401	Belt guide
19	45602	Washer	47	122017	Screw, Hex Hd, 5/16-18 x 3/4 in.
20	57157	Washer, special	48	188538	Lockwasher, Internal Tooth
21	50947	Screw, Taplite, 3/8-16 x 1 1/4 in.	49	56359	Spring, clutch
22	138489	Washer, External Lock, 3/8 in.	50	57203	Brake rod
23	1499	Locknut, Hex, 3/8-16 Thd.	51	300793	Shoulder bolt
24	810713	Upstop rod	52	57211	Switch, safety
25	39659	Belt Retainer	53	57220	Screw, Hex Hd tap No. 12 x 1/2 in.
26	303031	Pulley, Idler	54	22053	Retaining Ring
27	300154	Idler arm	55	3021	Key, Woodruff, no. 606
28	45892	Carriage Bolt, 3/8-16 x 1 1/2 in.	56	54692	Pulley, transaxle

(*) Standard Hardware Items - May Be Purchased Locally

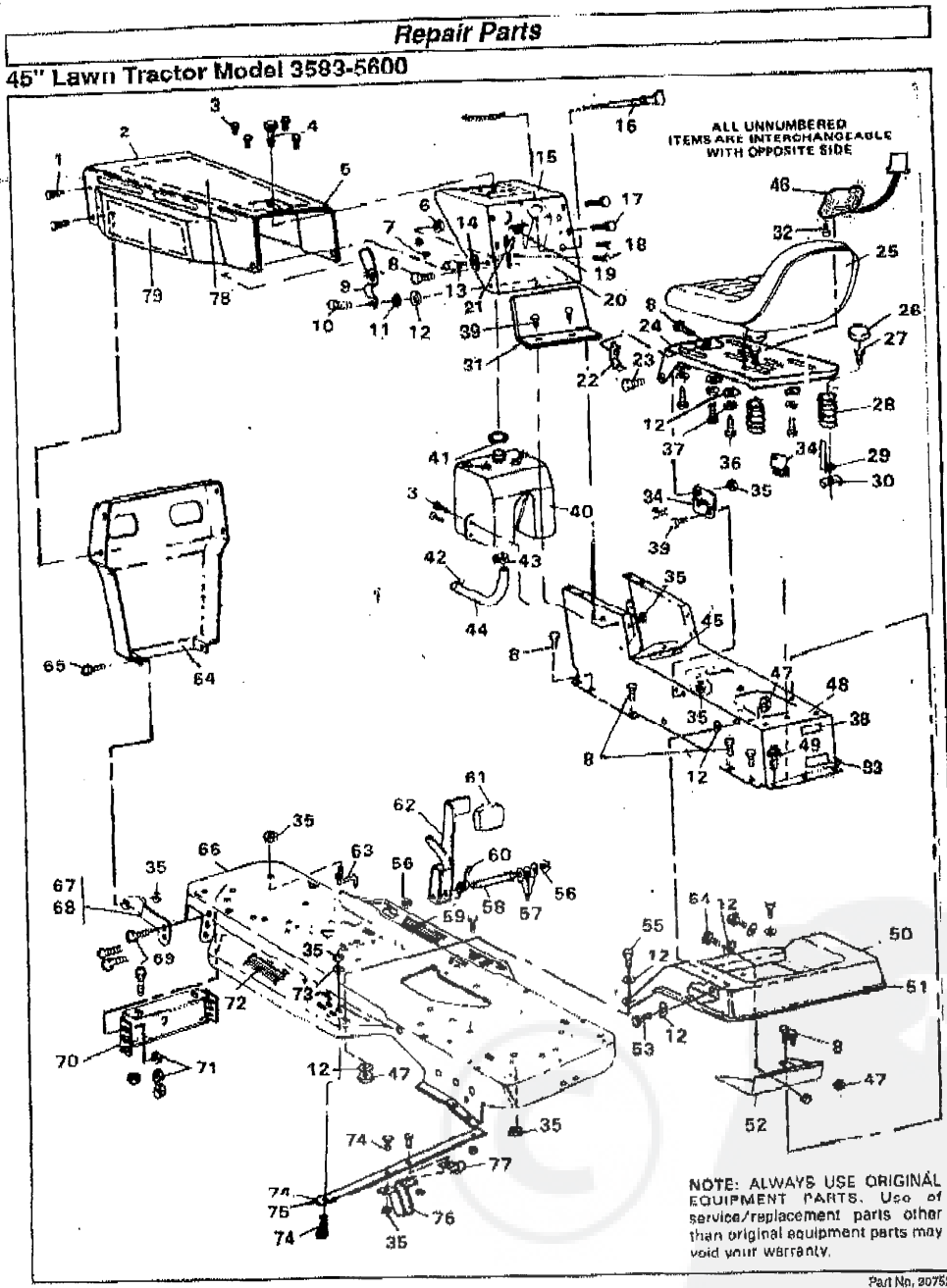
(~) Contact engine manufacturer's authorized service dealer (see engine manual) for parts and warranty.

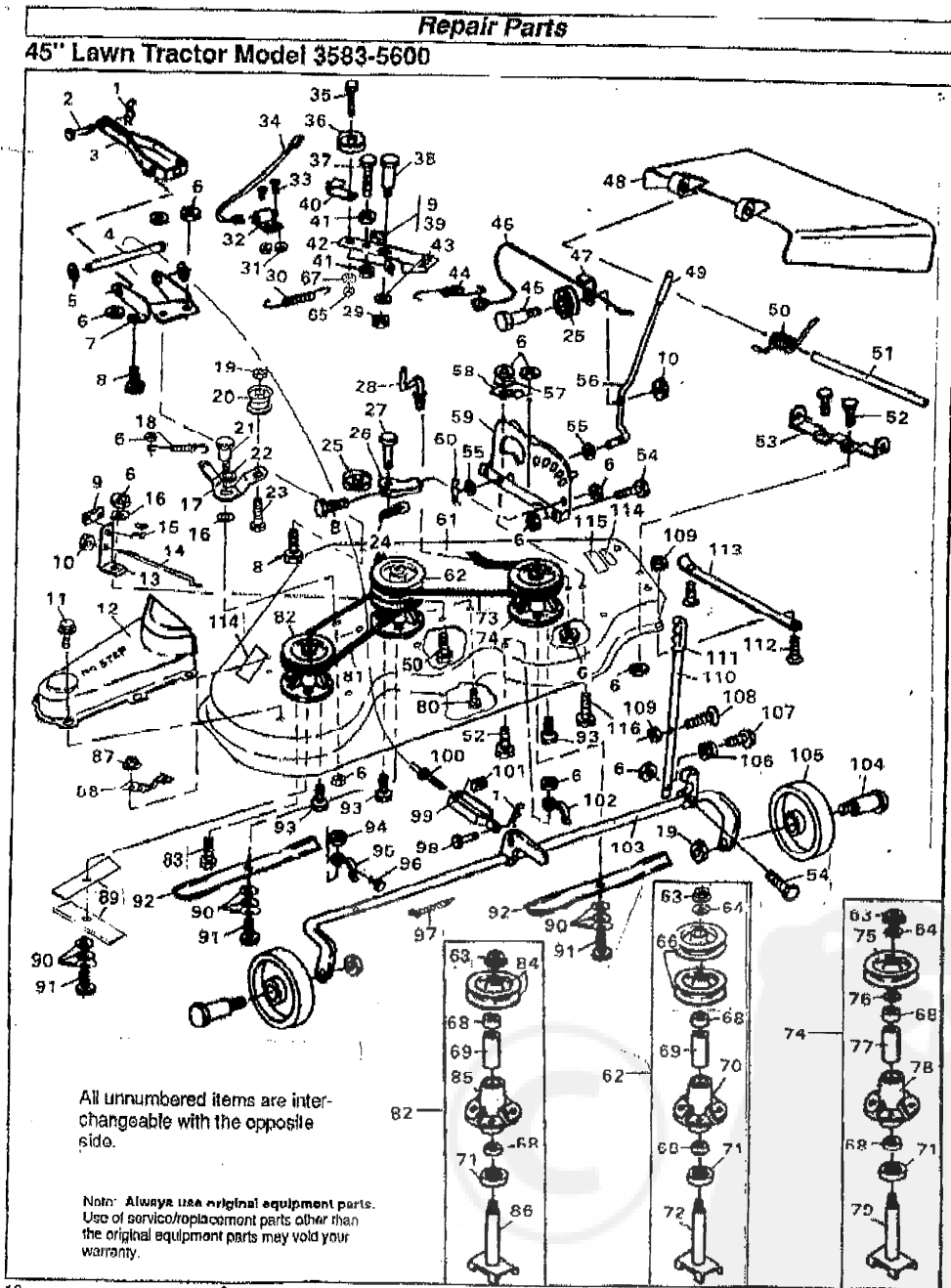


45" Lawn Tractor Model 3583-5600

Key No.	Part No.	Description	Key No.	Part No.	Description
1	57215	Screw, Hex Tap 5/16 - 9 x 3/4 in.	41	54885	Pad, fuel line
2	7340	Hood assembly	42	41008	Clamp, fuel line
3	49050	Screw, plastic 1/4 - 10 x 3/4 in.	43	47845	Clamp, fuel line
4	56183	Gas gauge	44	47452	Tubing, fuel line
5	47453	Edging hood	45	57527	Decal caution
6	45174	Locknut wide flange 5/16 - 18 Thd.	46	57547	Switch, seat
7	271166	Nut, Keps, No. 10 - 24 Thd.	47	1502	Locknut, 1/4-20 Thd.
8	995346	Screw, tapite 1/4 - 20 x 1/2 in.	48	304767	Console
9	57159	Latch hood	49	35497	Screw, tapite 5/16 - 18 x 1/2 in.
10	8482	Shoulder bolt	50	8948	Fender assembly
11	120394	Flatwasher 3/8 in.	51	55021	Trim fender
12	120393	Flatwasher, 11/32 in.	52	9119	Bracket fender
13	58448	Pin, hood latch	53	180020	Screw, Hex Hd. 1/4 - 20 x 3/4 in.
14	138538	Lockwasher, Internal Tooth	54	48900	Screw, Hex Wa Hd. 1/4 - 20 x 1 in.
15	9419	Dash assembly	55	180022	Screw, Hex Hd. 1/4 - 20 x 1 in.
16	300492	Cable choke	56	20864	"E" ring
17	995338	Screw, tapite 1/4 - 20 x 5/8 in.	57	2968	Spacer
18	35291	Screw Hex hd, No. 10 - 24 x 1/2 in.	58	57196	Pin, pivot
19	50607	Knob throttle control	59	12382	Foot pad R.H.
20	307048	Decal dash	60	57847	Spring
21	300456	Throttle control	61	52785	Rubber pad, pedal
22	305648	Bracket seat switch	62	57399	Brake pedal assembly
23	20507	Shoulder Bolt	63	300440	Raft guide
24	9101	Mounting bracket seat	64	56302	Grill
25	307661	Seat	65	36149	Shoulder bolt
26	53205	Cover, seat spring	66	9747	Main frame
27	44811	Screw, tapite 1/4 - 20 x 3/4 in.	67	12643	Bracket, grill L.H.
28	49335	Spring, seat	68	12644	Bracket, grill R.H.
29	305387	Stop, seat	69	56030	Screw, Hex Wa Hd 5/16 - 18 x 3/4 in.
30	7886	Coils seat spring	70	56391	Bracket, axle support, front
31	301686	Bulkhead, console	71	55273	Locknut wide flange 5/16 - 18 Thd.
32	160505	Screw, Pan Hd. 1/4 - 20 x 3/8 in.	72	12381	Foot pad L.H.
33	68918	Decal, model plate	73	448383	Flatwasher
34	305648	Support	74	122017	Screw, Hex Hd, 5/16-18 x 3/4 in.
35	1498	Locknut, 5/16-18 Thd.	75	43964	Guide support, rear
36	122007	Screw, Hex hd 5/16 - 18 x 3/4 in.	76	49777	Guide, rear, mower deck
37	120639	Lockwasher, split 5/16 in.	77	57589	Retainer wire
38	300638	Decal, export LWA 100db	78	55835	Pad, foam, hood top
39	120226	Screw, Hex hd, 5/16-18 x 5/8 in.	79	55836	Pad, foam, hood side
40	52536	Tank, fuel			

(*) Standard hardware items - may be purchased locally.

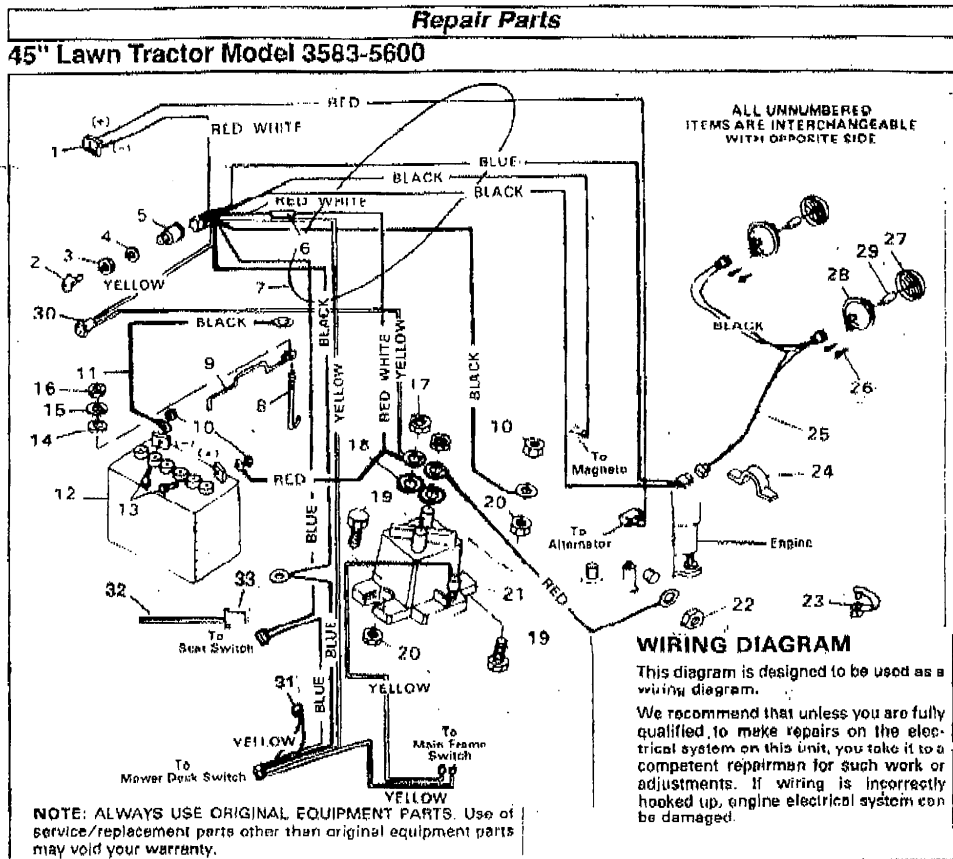




45" Lawn Tractor Model 3583-5600

Key No.	Part No.	Description	Key No.	Part No.	Description
1	56180	Halfpin cotter	59	57337	Quadrant
2	47616	Pin, clevis	60	8260	Halfpin cotter
3	57340	Pivot bracket	61	304507	Mower deck
4	57196	Pin, pivot	62	304078	Quill assembly
5	20864	"E" ring	63	1282	Locknut, flange
6	1498	Locknut, 5/16-18 Thd.	64	56365	Flatwasher
7	57327	Lift support plate	65	120377	Nut, Hex 3/8 - 16 Thd.
8	120228	Screw, Hex hd, 5/16-18 x 5/8 In.	66	304077	Pulley
9	308973	Brake Pad	67	120382	Lockwasher, split 3/8 In.
10	1502	Locknut, 1/4-20 Thd.	68	49582	Bearing
11	40886	Screw, Tapite 1/4 - 20 x 3/8 In.	69	58128	Spacer, tube
12	300238	Belt guard	70	58124	Quill
13	303247	Blade Bracket Assy.	71	50616	Dust Shield
14	300315	Rod, brake release	72	58165	Saddle & shaft assembly
15	135624	Rivet, Brake Pad	73	302289	V-belt
16	120393	Flatwasher, 1 1/32 In.	74	56424	Quill assembly
17	1343	Idler arm	75	56390	Pulley
18	300215	Spring	76	51449	Spacer
19	1499	Locknut, Hex, 3/8 18 Thd.	77	50818	Spacer Tube
20	303029	Pulley, idler	78	55547	Quill
21	41890	Shoulder Bolt	79	56425	Saddle & shaft assembly
22	4107	Washer	80	180077	Screw, Hex Hd, 5/16-18 x 3/4 In.
23	45892	Carriage Bolt, 3/8-16 x 1 1/2 In.	81	300142	V belt
24	121222	Cotter Pin, 3/32 x 3/4 In.	82	58125	Quill
25	39298	Pulley	83	30694	Screw, Hex Hd, 5/16 - 18 x 7/8 In.
26	49320	Support, cable pulley	84	300294	Pulley
27	49332	Pin 3/8 - X 1 In.	85	58162	Quill
28	57318	Retainer, ball	86	58122	Saddle & shaft assembly
29	45171	Locknut, Flange	87	44108	Nut, Hex, Wide Flange, 5/16-18 Thd.
30	35410	Spring, Brake Return	88	300179	Bracket, idler
31	271166	Nut, Keps, No. 10 - 24 Thd.	89	303014	Blade 9 5/8 In.
32	57476	Switch, safety	90	2483	Formed Washer
33	159943	Screw, Pan Hd, No. 10 - 24 x 5/8 In.	91	99573	Screw, Hex Hd, 3/8-24 x 1 In.
34	57588	Wire Assembly	92	56821	Blade
35	57325	Carriage bolt 3/8 - 16 x 2 In.	93	300345	Screw, Tapite, 5/16-18 x 1 3/8 In.
36	303030	Pulley, idler	94	120376	Nut 5/16 - 18 Thd.
37	121954	Screw, Hex Hd, 1/4-20 x 2 In.	95	300318	Bracket, pivot tube
38	300180	Shoulder Bolt	96	300314	Screw, Hex Wa. Tap 1/4 - 20 x 7/8 In.
39	41601	Rivet brake pad	97	57444	Wire tie
40	1346	Retainer, Belt	98	39522	Pin, clevis
41	271172	Nut, Keps, 1/4-20 Thd.	99	9405	Clevis, lift cable
42	300491	Idler Arm Assy	100	58166	Lift cable
43	996416	Flatwasher 3/8 In.	101	120372	Nrt. Square, 1/4-20 Thd.
44	300683	Spring, clutch	102	51985	Support, pivot tube
45	57322	Shoulder bolt	103	300322	Pivot tube assembly
46	57325	Clutch cable	104	300319	Wheel axle
47	1288	Retainer cable	105	52584	Wheel, Deck
48	57818	Chute guard	106	57319	Spring
49	46478	Grip, clutch lever	107	996398	Screw, Tapite 1/4 - 20 x 5/8 In.
50	55767	Spring discharge chute	108	57324	Screw, latch
51	57317	Rod, pivot	109	271184	Nut Keps, 5/16-18 Thd.
52	120834	Screw, Hex Hd, 5/16-18 x 1/2 In.	110	57329	Height adjust lever
53	57360	Bracket pivot	111	56424	Grip height adjust lever
54	122040	Screw, hex Hd, 5/16 - 18 x 1 1/2 In.	112	126216	Carriage Bolt, 5/16 - 18 x 3/4 In.
55	120396	Flatwasher, 17/32 In.	113	57314	Skid bar
56	300188	Clutch lever	114	70582	Decal caution
57	120386	Flatwasher 5/16 In.	115	68882	Decal height adjust
58	57321	Spring	116	122007	Screw, Hex hd 5/16 - 18 x 3/4 In.

(*) Standard Hardware Items - May Be Purchased Locally



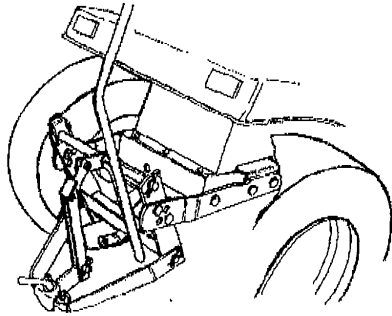
Key No.	Part No.	Description
1	300133	Ammeter
2	300626	Key, Ignition
3	48140	Locknut (switch part)
4	198537	Lockwasher (switch part)
5	300687	Switch, Ignition
6	302031	Fuse
7	302437	Wire harness assembly
8	57551	Battery rod
9	57552	Bracket, battery hold down
10	271172	Nut, Keps, 1/4-20 Thd.
11	55511	Ground wire
12	302257	Battery
13	120654	Carriage bolt 1/4 - 20 x 5/8 in.
14	120392	Flatwasher, 9/32 in.
15	120380	Lockwasher, Split
16	120375	Nut, Hex, 1/4-20 Thd.
17	120368	Nut, Hex, 5/16-24 Thd.

Key No.	Part No.	Description
18	198485	Washer, External Lock, 5/16 in.
19	187745	Screw, Hex Hd 1/4 - 20 x 3/4 in.
20	1502	Locknut, 1/4-20 Thd.
21	53716	Solenoid
22		Engine part
23	54888	Retainer wire
24	41482	Retainer, Harness, Press-On
25	56189	Lead wire, headlights
26	50668	Screw Hex Wa Hd, No. 10 - 14 x 1/2 in.
27	52570	Lens headlight
28	52571	Bezel, headlight
29	52572	Bulb, headlight
30	300255	Indicator light
31	42071	Bypass wire
32	305431	Wire assembly, seat switch
33	305511	Connector body

(*) Standard Hardware Items - May Be Purchased Locally

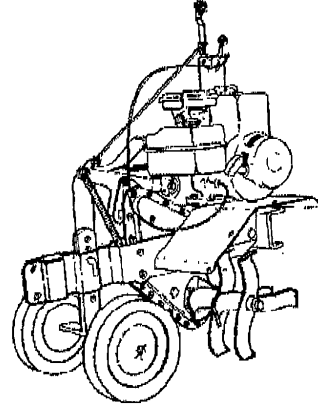
Accessories

Contact the dealer where you purchased your tractor for available accessories or attachments. If you are unable to contact the dealer, write to the address on the front cover of this manual.



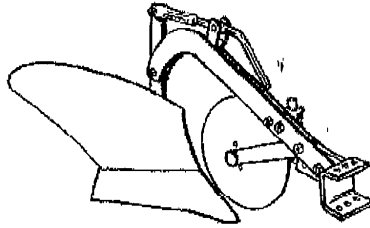
HEAVY DUTY HITCH

Includes lift bar mechanism. Heavy duty hitch is required when using attachments shown with asterisk (*).



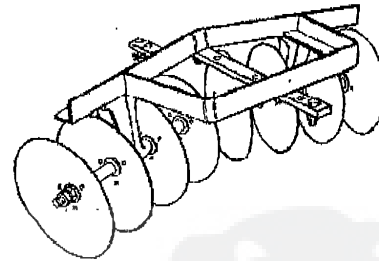
*28" - 5 H.P. MOTORIZED REAR MOUNTED TILLER

Heavy duty chain drive with no. 50 chain, 5 H.P. B & S horizontal shaft engine, 14 inch slasher type tires. Adjustable tilling depth, 10 inch steel wheels. Clutch and throttle operated from drivers seat. Moves and tills under its own power. Heavy duty hitch required.



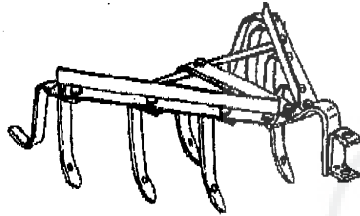
*10" PLOW

Plowing depth is adjustable up to 6 inches without leaving drivers seat. Plows up to a 10 inch furrow, and is equipped with a free-swinging 11 inch rolling coulter for cutting sod. A single pin connects plow to heavy duty hitch. Heavy duty hitch required; wheel weights recommended.



*DISC HARROW

Eight 11 inch diameter steel disc blades can be adjusted for a discing width from 29 to 39 inches. Individual gangs have a position angle adjustment of 10, 15 & 20 degrees. J-bolt holds standard 16 inch concrete block for added discing weight. Heavy duty hitch required.



*CULTIVATOR

Cultivator has 7 forged high-carbon steel shanks bolted in place. Ideal for working a variety of crops, letting you straddle rows of work between them. Adjusts from 8 to 42 inches. Convenient leveling and depth adjustment at the hitch end. Single pin connects cultivator to heavy duty hitch.

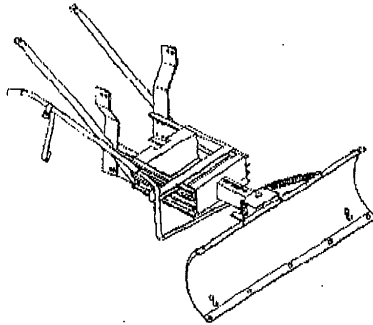
FRONT WHEEL WEIGHTS

One pair, 20 pounds each. Total weight 40 pounds. Includes mounting hardware.

REAR WHEEL WEIGHTS

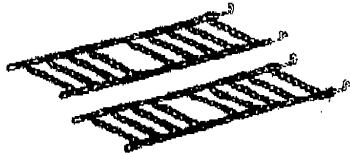
One pair, 60 pounds each. Total weight 100 pounds. Includes mounting hardware.

Detailed mounting and operating instructions are included with each accessory.



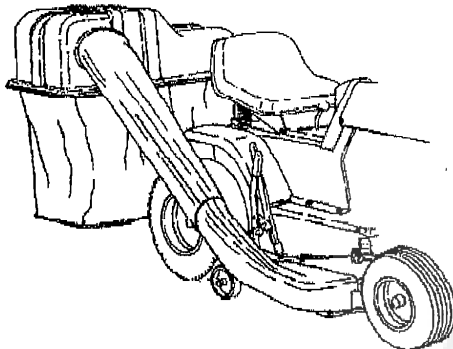
†42" SNOW & GRADER BLADE

Rugged heavy gauge spring loaded blade glides over uneven surfaces on heavy duty adjustable skids. Blade position can be adjusted from seat of riding mower for straight position, or 35° left or right. Tire chains and weight box attachments are recommended for use with this blade.



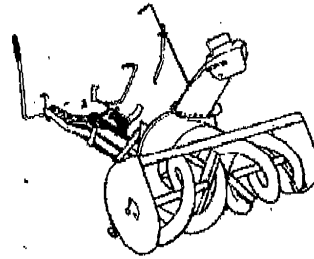
TIRE CHAINS

Tire chains for added traction are available. Specify tire size when ordering.



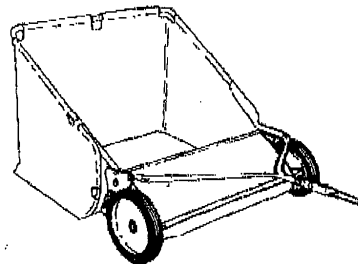
REAR MOUNT GRASS CATCHER

For 36, 39 and 45 inch Side Discharge Mower Decks. Easy-On Easy-Off chute extension. Includes Easy-To dump twin grass collection containers, with 6 bushel capacity.



†TWO STAGE SNOW THROWER

A powerful two stage snow thrower with a 14 inch second stage impeller capable of moving more than 70 tons of snow per hour and throwing it accurately in any direction you choose. Driver controlled discharge chute turns a 180° arc. Wheel weights and tire chains recommended.



LAWN SWEEPER

Features extra heavy duty wheels and heavy duty basket. Basket is water, shrink and mildew proof with big 6 bushel capacity. Dump release and height adjuster can both be operated from riding mower seat.

(*) Heavy Duty Hitch Required
(**) Heavy Duty Hitch Required; Wheel Weights Recommended
(†) Wheel Weights & Tire Chains Recommended