

REPAIR PARTS MANUAL 8 H.P. RIDING MOWER With 32" Mower Deck MODEL 3595-3400

ONE YEAR LIMITED WARRANTY

For one (1) year from date of purchase by the first consumer for residential use (thirty (30) days commercial use), NOMA Outdoor Products Incorporated warrants that it will replace free of charge, including labor, any original part of any NOMA Outdoor Products Incorporated product found to be defective by any authorized Service Dealer or the factory, except the battery which is warranted for ninety (90) days from date of purchase.

This warranty does not cover engine, transmission, transaxle or differential (these items are covered by their manufacturer's own warranty). This warranty does not cover parts that have failed due to normal wear or parts that have failed subject to misuse or abuse. Transportation of the unit or part to and from an authorized Service Dealer or factory is the responsibility of the owner.

A step by step explanation as to what procedure should be followed for this Warranty is:

1. If a part becomes defective, contact the store where the unit was purchased for the name and address of the authorized Service Dealer nearest to you.
2. If you cannot locate an authorized Service Dealer, write Service Department of NOMA Outdoor Products Incorporated for the name and address of the authorized Service Dealer in your area or call the Service Department at 1-901-422-1690.
3. Return the defective product, along with proof of purchase to such authorized Service Dealer for replacement of any defective part where covered by this warranty.

There is no other express warranty. Implied warranties, including those of merchantability and fitness for a particular purpose are limited to one (1) year from date of purchase. Liability for incidental or consequential damages are excluded.

Some states do not allow limitations on how long an implied warranty lasts, so the above limitation may not apply to you. Some states do not allow the exclusion of incidental or consequential damages, so the above exclusion may not apply to you. This warranty gives you specific legal rights, and you may have other rights which vary from state to state.

NOMA Outdoor Products Incorporated

Caller 8000

Jackson, TN 38308-8000

UNIT PARTS AND SERVICE

This manual contains instructions for safety, assembly and maintenance. Read this manual carefully and completely so that you will know proper assembly, use and care of your unit. Also fill in and mail the registration card packed with the unit. For service other than covered in this manual, contact an authorized service dealer. A nationwide parts and service organization has been established to provide locally available parts and service. A list of authorized parts distributors has been included in this manual. When ordering repair parts, always give the following information: 1. The Part Name; 2. The Part Number; 3. The Quantity desired; 4. The Full (eight digit) Model Number of the unit. The model number will be found on a plate attached to the unit.



Look for this symbol. It means - ATTENTION! BECOME ALERT! A HAZARD TO OPERATOR, BYSTANDER, PROPERTY OR EQUIPMENT MAY EXIST.

NOMA Outdoor Products Incorporated

Caller 8000

Jackson, TN 38308-8000

Part No. 306882

2589

Price \$2.00

Printed in U.S.A.



OPERATIONAL PRECAUTIONS



THESE INSTRUCTIONS ARE FOR YOUR PROTECTION. PLEASE READ THEM CAREFULLY.

1. Know the controls and how to stop quickly. **READ THIS OPERATOR'S MANUAL** and instructions furnished with attachments.
2. Wear safety glasses or eye shields when assembling or operating riding mower.
3. Do not allow children to operate the machine. Do not allow adults to operate it without proper instruction.
4. Do not carry passengers. Do not mow when children and others are around. Disengage power to blades(s) or attachment(s) and stop the engine while others are in the vicinity of the mower.
5. Battery fluid (electrolyte) is an **ACID** and is extremely dangerous. Do not smoke while servicing the battery. Do not service the battery near a open flame or spark.
6. Handle gasoline with care, it is highly flammable.
 - A. Use approved gasoline container.
 - B. Never remove the fuel cap of, or add gasoline to, a running or hot engine, or an engine that has not been allowed to cool for several minutes after running. Never fill the tank indoors and always clean up spilled fuel immediately.
 - C. Do not smoke while filling fuel tank.
 - D. Do not run the engine indoors. Open doors if engine must be run in garage. Exhaust fumes contain **CARBON MONOXIDE, an ODORLESS and DEADLY GAS.**
7. Check fuel supply before each use allowing space for expansion as the heat of the engine and/ or sun can cause gasoline to expand.
8. Do not operate mower when barefooted. Always wear substantial footwear, preferably steel-toed shoes. Do not wear loose fitting clothing that could get caught in moving parts.
9. Clear the work area of objects (wire, rocks, etc.) which might be picked up and thrown. Check all controls for proper function.
10. Disengage all attachment clutches, shift to neutral, and set parking brake before attempting to start the engine (motor). When starting engine equipped with a pull starter, stand firm and make sure your feet are well away from the blade(s).
11. Disengage power to blade(s) or other attachments(s) and stop the engine (motor) before leaving the operator's position. Always dismount from the left side.
12. Disengage power to blade(s) or other attachment(s) and stop the engine (motor) before making any repairs or adjustments.
13. Disengage power to blade(s) or other attachment(s) when transporting or not in use.
14. Take all possible precautions when leaving the vehicle unattended, such as disengaging power to blade(s) or attachment(s), lower the attachment(s), setting the parking brake, stopping the engine (motor), and removing the key.
15. Do not stop or start suddenly when going uphill or downhill. Mow up and down the face of steep slopes; never across the face.
16. Reduce speed and exercise extreme caution on slopes and in sharp turns to prevent tipping or loss of control. Be especially cautious when changing direction on slopes.
17. Stay alert for holes, rocks, and roots in the terrain and other hidden hazards. Keep away from drop-off. Never operate your riding mower on wet or slippery grass or at a speed which could cause a skid. Exercise care when mowing around a fixed object to prevent the blade(s) from striking it. Never deliberately run over any foreign object.
18. Always disengage blade control lever before attempting to remove the mower from a hole or other obstruction.
19. Use care when pulling loads or using heavy equipment.
 - A. Use only approved drawbar hitch points.
 - B. Limit loads to those that you can safely control.
 - C. Do not turn sharply. Use care when backing.
 - D. Use counterweight(s), wheel weights or tire chains when suggested in attachment(s) instructions.
20. Watch for traffic when crossing or near roadways.
21. When using attachment(s), never direct discharge of material toward bystanders nor allow anyone near the vehicle while in operation.
22. Keep the vehicle and attachments in good operating condition, and keep safety devices in place and in working condition.
23. Keep all nuts, bolts, and screws tight to be sure the equipment is in safe working condition.
24. Never store the equipment with gasoline in the tank inside a building where fumes may reach an open flame or spark. Allow the engine to cool before storing in any enclosure.
25. To reduce fire hazard, keep the engine free of grass, leaves or excessive grease.
26. The vehicle and attachments should be stopped and inspected for damage after striking a foreign object, and the damage should be repaired before restarting and operating the equipment.
27. Do not change the engine governor settings or overspeed engine.
28. When using the vehicle with mower, proceed as follows:
 - A. Mow only in daylight or in good artificial light.
 - B. Never make a cutting height adjustment while the engine (motor) is running if the operator must dismount to do so.
 - C. Shut the engine (motor) off when removing the grass catcher or unclogging chute.
 - D. Check the blade mounting bolts for proper tightness at frequent intervals.
29. Under normal usage, the grass catcher bag material is subject to deterioration and wear. Check the bag frequently for deterioration and wear and replace worn bags. Check that replacement bags comply with the original manufacturer's recommendations or specifications.
30. Disengage power to mower before backing up. Do not mow in reverse unless absolutely necessary and then only after careful observation of the entire area behind the mower.

OWNER'S INFORMATION

Record the following information about your unit so that you will be able to provide it in case of loss or theft.

MODEL NUMBER: - (Enter complete 8 digit number from model plate on unit)

PURCHASE DATE: ___ / ___ / ___ CODE NO.: _____ SERIAL NO.: _____

DEALER'S NAME AND ADDRESS: _____

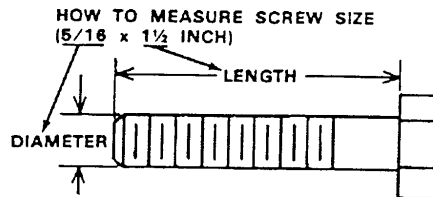
CITY: _____ STATE: _____ TELEPHONE: _____

CONTENTS OF SHIPPING CARTON

- 1 - Riding Mower (with 32 inch deck)
- 1 - Operator's Manual
- 1 - Repair Parts Manual
- 1 - Engine Manual
- 1 - Steering Wheel (with roll pin partially installed)
- 1 - Seat
- 1 - Bag of Assembly Parts Containing:
 - 1 - Shift Knob
 - 1 - 1-1/4 inch long Spiral Pin
 - 1 - 2-1/4 inch long Roll Pin
 - 1 - 1-1/4 inch long Cotter Pin
 - 1 - Flatwasher
- 1 - Bag of Seat Mounting Parts Containing:
 - 4 - 5/16-18 x 3/4 inch Hex Head Screws
 - 4 - 5/16 inch Split Lockwashers
 - 4 - 11/32 inch Flatwashers

TOOLS REQUIRED FOR ASSEMBLY

- 1 - 5/16 inch wrench (or adjustable wrench)
- 1 - 7/16 inch Wrench (or adjustable wrench)
- 1 - 1/2 inch Wrench (or adjustable wrench)
- 1 - Hammer



DANGER



This riding mower can be dangerous if carelessly used.

Read your Owner's Manual thoroughly before operating your riding mower.

Always wear safety glasses or eye shields while assembling or operating your riding mower.

DO NOT carry passengers at any time.

Keep your hands, feet, hair and loose clothing away from the discharge area, the underside of the mower deck or any moving parts while the engine is running.

DO NOT allow children or young teenagers to operate or be near your riding mower while it is operating.

NOTICE

For packaging purposes, the knob may have been removed from the mower clutch lever and placed in the parts bag. Please screw the knob onto the mower clutch lever and tighten it securely.



OPERATIONAL PRECAUTIONS



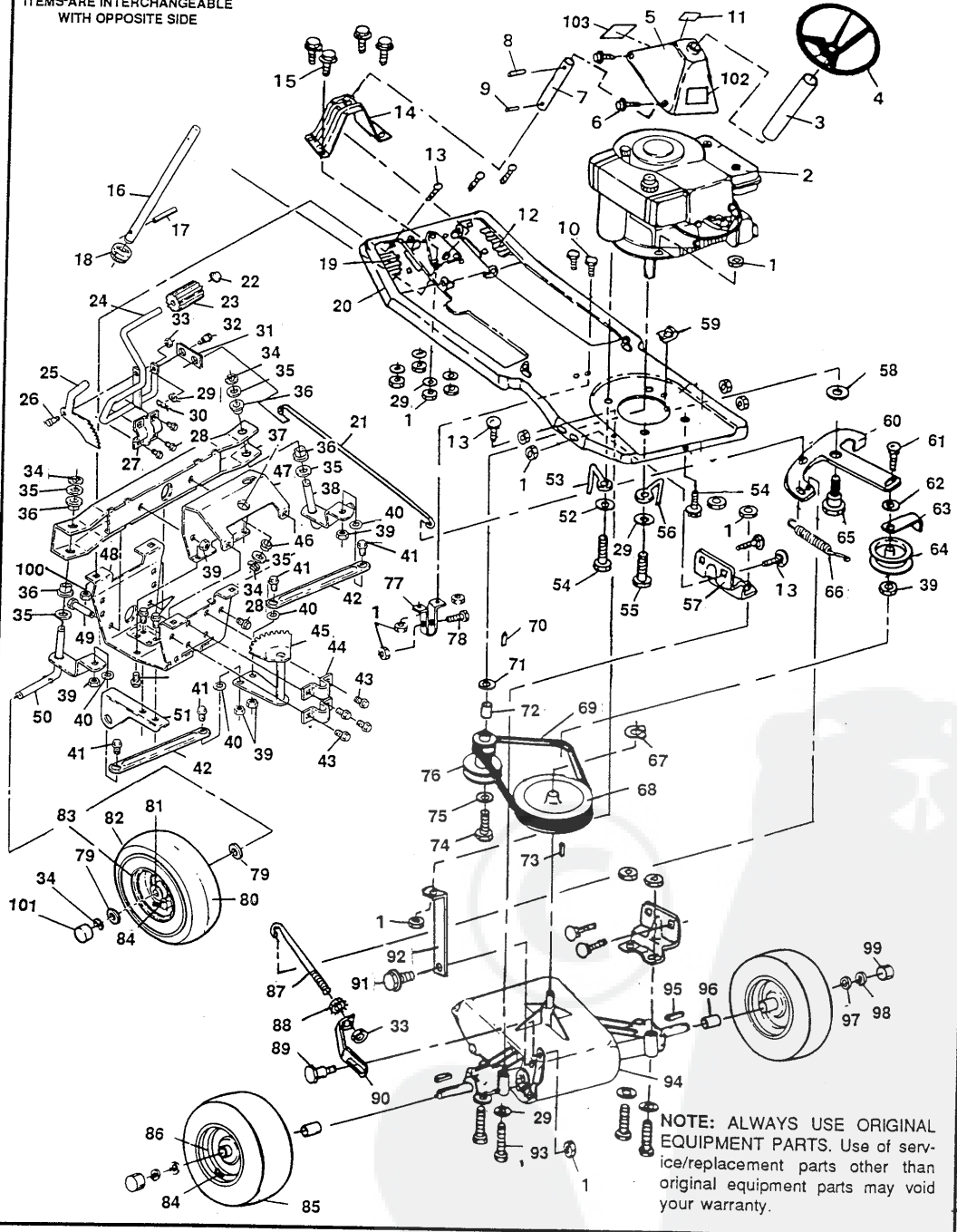
THESE INSTRUCTIONS ARE FOR YOUR PROTECTION. PLEASE READ THEM CAREFULLY.

1. Know the controls and how to stop quickly. **READ THIS OPERATOR'S MANUAL** and instructions furnished with attachments.
2. Wear safety glasses or eye shields when assembling or operating riding mower.
3. Do not allow children to operate the machine. Do not allow adults to operate it without proper instruction.
4. Do not carry passengers. Do not mow when children and others are around. Disengage power to blades(s) or attachment(s) and stop the engine while others are in the vicinity of the mower.
5. Battery fluid (electrolyte) is an **ACID** and is extremely dangerous. Do not smoke while servicing the battery. Do not service the battery near a open flame or spark.
6. Handle gasoline with care, it is highly flammable.
 - A. Use approved gasoline container.
 - B. Never remove the fuel cap of, or add gasoline to, a running or hot engine, or an engine that has not been allowed to cool for several minutes after running. Never fill the tank indoors and always clean up spilled fuel immediately.
 - C. Do not smoke while filling fuel tank.
 - D. Do not run the engine indoors. Open doors if engine must be run in garage. Exhaust fumes contain **CARBON MONOXIDE, an ODORLESS and DEADLY GAS.**
7. Check fuel supply before each use allowing space for expansion as the heat of the engine and/ or sun can cause gasoline to expand.
8. Do not operate mower when barefooted. Always wear substantial footwear, preferably steel-toed shoes. Do not wear loose fitting clothing that could get caught in moving parts.
9. Clear the work area of objects (wire, rocks, etc.) which might be picked up and thrown. Check all controls for proper function.
10. Disengage all attachment clutches, shift to neutral, and set parking brake before attempting to start the engine (motor). When starting engine equipped with a pull starter, stand firm and make sure your feet are well away from the blade(s).
11. Disengage power to blade(s) or other attachments(s) and stop the engine (motor) before leaving the operator's position. Always dismount from the left side.
12. Disengage power to blade(s) or other attachment(s) and stop the engine (motor) before making any repairs or adjustments.
13. Disengage power to blade(s) or other attachment(s) when transporting or not in use.
14. Take all possible precautions when leaving the vehicle unattended, such as disengaging power to blade(s) or attachment(s), lower the attachment(s), setting the parking brake, stopping the engine (motor), and removing the key.
15. Do not stop or start suddenly when going uphill or downhill. Mow up and down the face of steep slopes; never across the face.
16. Reduce speed and exercise extreme caution on slopes and in sharp turns to prevent tipping or loss of control. Be especially cautious when changing direction on slopes.
17. Stay alert for holes, rocks, and roots in the terrain and other hidden hazards. Keep away from drop-off. Never operate your riding mower on wet or slippery grass or at a speed which could cause a skid. Exercise care when mowing around a fixed object to prevent the blade(s) from striking it. Never deliberately run over any foreign object.
18. Always disengage blade control lever before attempting to remove the mower from a hole or other obstruction.
19. Use care when pulling loads or using heavy equipment.
 - A. Use only approved drawbar hitch points.
 - B. Limit loads to those that you can safely control.
 - C. Do not turn sharply. Use care when backing.
 - D. Use counterweight(s), wheel weights or tire chains when suggested in attachment(s) instructions.
20. Watch for traffic when crossing or near roadways.
21. When using attachment(s), never direct discharge of material toward bystanders nor allow anyone near the vehicle while in operation.
22. Keep the vehicle and attachments in good operating condition, and keep safety devices in place and in working condition.
23. Keep all nuts, bolts, and screws tight to be sure the equipment is in safe working condition.
24. Never store the equipment with gasoline in the tank inside a building where fumes may reach an open flame or spark. Allow the engine to cool before storing in any enclosure.
25. To reduce fire hazard, keep the engine free of grass, leaves or excessive grease.
26. The vehicle and attachments should be stopped and inspected for damage after striking a foreign object, and the damage should be repaired before restarting and operating the equipment.
27. Do not change the engine governor settings or overspeed engine.
28. When using the vehicle with mower, proceed as follows:
 - A. Mow only in daylight or in good artificial light.
 - B. Never make a cutting height adjustment while the engine (motor) is running if the operator must dismount to do so.
 - C. Shut the engine (motor) off when removing the grass catcher or unclogging chute.
 - D. Check the blade mounting bolts for proper tightness at frequent intervals.
29. Under normal usage, the grass catcher bag material is subject to deterioration and wear. Check the bag frequently for deterioration and wear and replace worn bags. Check that replacement bags comply with the original manufacturer's recommendations or specifications.
30. Disengage power to mower before backing up. Do not mow in reverse unless absolutely necessary and then only after careful observation of the entire area behind the mower.

REPAIR PARTS

32" RIDING MOWER MODEL 3595-3400

ALL UNNUMBERED
ITEMS ARE INTERCHANGEABLE
WITH OPPOSITE SIDE



NOTE: ALWAYS USE ORIGINAL EQUIPMENT PARTS. Use of service/replacement parts other than original equipment parts may void your warranty.

32" RIDING MOWER MODEL 3595-3400

Key No.	Part No.	Description	Key No.	Part No.	Description
1	1498	Locknut, 5/16-18 Thd.	54	48148	Screw, Taptite, 3/8-16 x 1 In.
2	Engine	~ See Footnote Below	55	122040	* Screw, Hex Hd, 5/16-18 x 1-1/2 In.
3	305605	Tube, Decorative	56	301119	Belt Guide
4	301465	Wheel, Steering	57	9796	Bracket, Transaxle Mounting
5	304537	Console Assembly	58	45602	Flatwasher
6	995346	* Screw, Taptite, 1/4-20 x 1/2 In.	59	301124	Tinnerman Clip
7	300797	Shaft, Steering	60	300591	Idler Arm
8	456836	Roll Pin, 1/4 x 2-1/4 In.	61	45892	Carriage Bolt, 3/8-16 x 1-1/2 In.
9	417375	Pin, Spiral, 3/16 x 1-1/4 In.	62	274517	Flatwasher, 13/32 In.
10	122007	* Screw, Hex Hd, 5/16-18 x 3/4 In.	63	39659	Retainer, Belt
11	301896	Decal, Nameplate, Turfmaster	64	35374	Idler Pulley
12	301181	Pad, Footrest, R.H.	65	41890	Shoulder Bolt
13	126211	* Carriage Bolt, 5/16-18 x 5/8 In.	66	35410	Return Spring
14	305023	Support, Steering	67	22053	Retaining Ring
15	48901	Screw, Hex Wa Hd, 5/16-18 x 5/8 In.	68	300109	Transaxle Pulley
16	302768	Steering Shaft Assembly	69	300575	V-Belt
17	454565	Roll Pin, 1/4 x 1-1/4 In.	70	33200	Square Key, 1/4 x 1-1/2 In.
18	302766	Pinion	71	428831	Washer
19	12555	Pad, Footrest, L. H.	72	300589	Spacer
20	305623	Main Frame	73	3021	Woodruff Key, No. 606
21	303138	Clutch Rod	74	181403	* Screw, Hex Hd, 7/16-20 x 1-3/4 In.
22	44582	Push Nut	75	120383	* Lockwasher, Split, 7/16 In.
23	52848	Pad, Clutch/Brake Pedal	76	300577	Engine Pulley
24	303249	Lever Assembly, Clutch/Brake	77	300574	Mower Deck Guide
25	302955	Lever, Parking Brake	78	122027	* Screw, Hex Hd, 5/16-18 x 1-1/2 In.
26	3275	Shoulder Bolt	79	40677	Flatwasher, 5/8 In.
27	44112	Bracket, Brake	80	301138	Wheel & Tire Assembly, Front
28	35497	Screw, Taptite, 5/16-18 x 1/2 In.	81	301137	Wheel Bearing
29	120393	* Flatwasher, 11/32 In.	82	39707	Front Tire
30	8260	Harpin Cotter	83	301175	Front Wheel
31	12591	Bracket, Clutch Rod	84	24167	Valve Stem
32	35522	Pin, Clevis	85	41082	Rear Tire
33	1502	Locknut, 1/4-20 Thd.	86	36182	Rear Wheel
34	20859	Retaining Ring	87	300580	Brake Rod
35	4107	Flatwasher	88	271172	* Keps Nut, 1/4-20 Thd.
36	12552	Spindle Bushing	89	29386	Shoulder Bolt
37	307581	Axle Assembly, Front	90	300630	Brake Rod Bracket
38	303148	Spindle, R. H.	91	35498	Screw, Taptite, 5/16-18 x 3/4 In.
39	1499	Locknut, 3/8-16 Thd.	92	300587	Transaxle Support Bracket
40	120382	* Lockwasher, Split, 25/64 In.	93	180087	* Screw, Hex Hd, 5/16-18 x 2 In.
41	122145	* Screw, Hex Hd, 3/8-16 x 1-1/4 In.	94	303012	^ Transaxle, Peerless, 5-Speed
42	303140	Tie Rod Assembly	95	39628	Key, 3/16 x 2-1/2 In.
43	120228	* Screw, Hex Hd, 5/16-18 x 5/8 In.	96	300588	Spacer
44	302760	Clamp	97	42815	Flatwasher
45	302958	Steering Assembly	98	36625	"E" Ring
46	304010	Flange Bearing	99	40394	Hub Cap, Rear
47	302799	Bracket, Axle, Inner	100	45174	Locknut, Wide Flange, 5/16-18 Thd
48	302807	Bracket, Axle, Outer	101	36832	Hub Cap, Front
49	122201	Screw, 3/8-16 x 2-3/4 In.	102	70571	Decal, Console, Rear
50	303147	Spindle, L. H.	103	300564	Decal, Nameplate, 8/32 White
51	306815	Bracket, Deck Hanger	104	307126	Operator's Manual (Not Illustrated)
52	120394	* Flatwasher, 13/32 In.	105	306882	Parts Manual (Not Illustrated)
53	302216	Belt Guide			

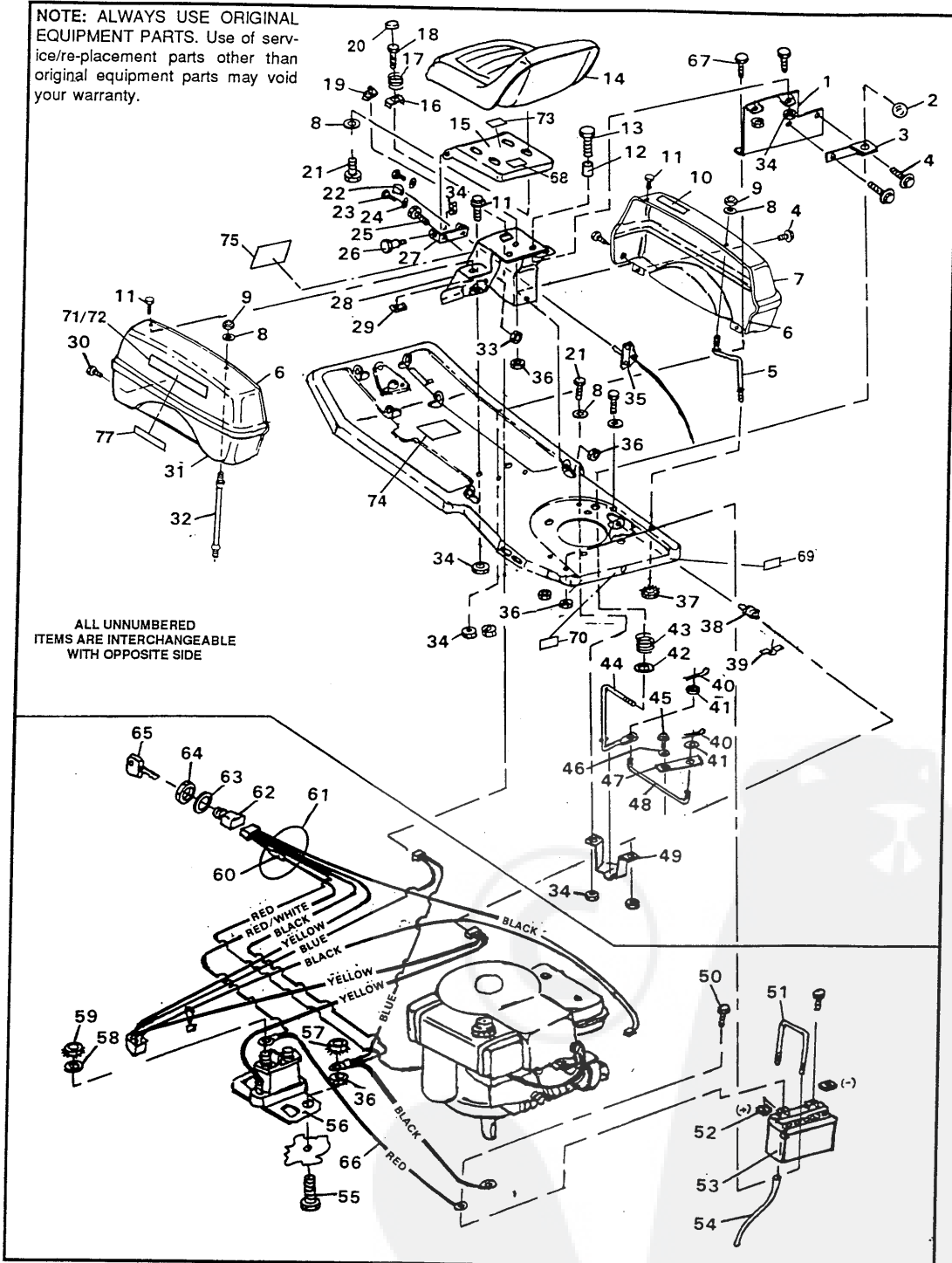
(*) Standard hardware items - May Be Purchased Locally.

(^) Contact Tecumseh/Peerless authorized service dealer for parts and warranty.

(~) Contact Engine Manufacturer's authorized service dealer (See Engine Manual) for parts and warranty.

32" RIDING MOWER MODEL 3595-3400

NOTE: ALWAYS USE ORIGINAL EQUIPMENT PARTS. Use of service/re-placement parts other than original equipment parts may void your warranty.



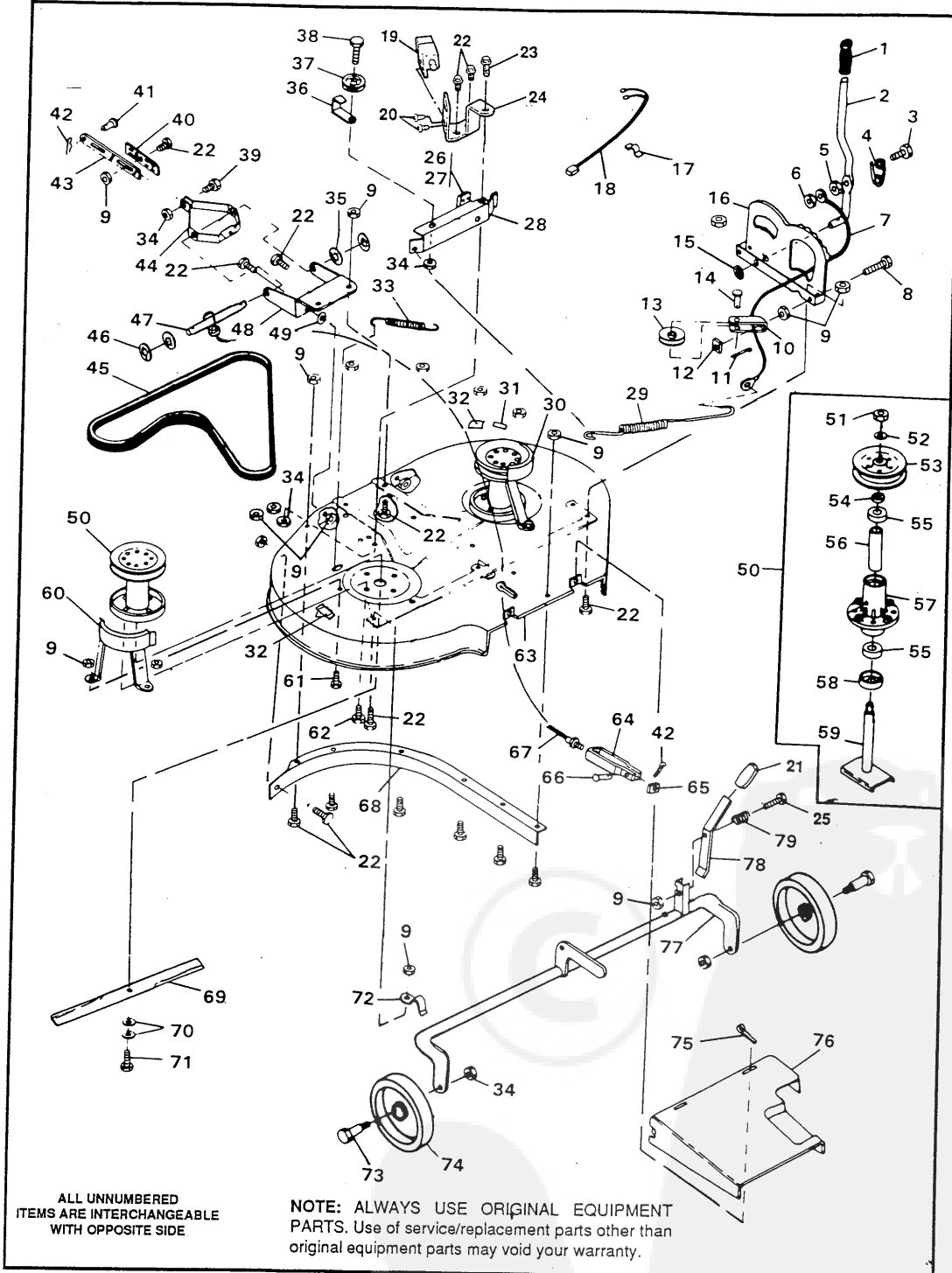
ALL UNNUMBERED ITEMS ARE INTERCHANGEABLE WITH OPPOSITE SIDE

32" RIDING MOWER MODEL 3595-3400

Key No.	Part No.	Description	Key No.	Part No.	Description
1	305626	Support, Seat/Shift Lever	40	137185	Cotter Pin
2	55514	Knob, Shift Lever	41	120394	* Flatwasher, 13/32 In.
3	305625	Bracket, Shift Lever	42	120396	* Flatwasher, 17/32 In.
4	995346	* Screw, Taptite, 1/4-20 x 1/2 In.	43	301133	Spring, Shift Lever
5	56471	Rod, Fender Support, R.H.	44	302251	Shift Lever
6	55021	Edging, Fender	45	56255	Screw, Hex Hd, 1/4-20 x 3/4 In.
7	305078	Fender, R.H.	46	57157	Washer, Special
8	120393	* Flatwasher, 11/32 In.	47	9290	Shift Lever, Transaxle
9	55623	Nut, Acorn, 5/16-18 Thd.	48	300582	Rod, Shift Connecting
10	301730	Decal, Shift	49	300939	Support, Shift Lever
11	48901	Screw, Hex Hd, 5/16-18 x 5/8 In.	50	55529	Screw, Special
12	50520	Spacer	51	55471	Bracket, Battery, Hold-Down
13	122017	* Screw, Hex Hd, 5/16-18 x 1 In.	52	55530	Nut
14	304315	Seat	53	55472	Battery
15	305077	Seat Plate	54	55636	Tube, Battery Vent
16	9416	Clamp, Seat Spring	55	187745	Screw, 1/4-20 x 3/4 Hex Hd.
17	301132	Spring, Seat	56	53716	Solenoid
18	120706	* Screw, Hex Hd, 1/4-20 x 1/2 In.	57	271172	* Keps Nut, 1/4-20 Thd.
19	58277	Switch, Seat	58	138485	Washer, External Lock
20	53205	Cover, Spring	59	271187	* Keps Nut, 5/16-24 Thd.
21	122007	* Screw, Hex Hd, 5/16-18 x 3/4 In.	60	49211	Fuse
22	39486	Knob, Trottle Control	61	301157	Wire Harness Assembly
23	35287	Screw, Taptite, No. 8-32 x 3/8 In.	62	300295	Switch, Ignition
24	414106	* Flatwasher, 3/16 In.	63	138557	Lockwasher, (Ignition Switch Part)
25	180117	* Screw, Hex Hd, 3/8-16 x 9/16 In.	64	48140	Nut, (Ignition Switch Part)
26	20507	Shoulder Bolt	65	300626	Key, Ignition Switch
27	306265	Bracket, Seat	66	300158	Wire Assembly
28	306445	Support, Seat	67	120834	* Screw, Hex Hd, 5/16-18 x 1/2 In.
29	44572	Tinnerman Clip	68	68918	Decal, Model
30	48900	Screw, Taptite, 1/4-20 x 1 In.	69	300638	Decal, LWA100DB
31	305706	Fender, L.H.	70	70593	Decal, Caution
32	55614	Rod, Fender Support, L.H.	71	70677	Decal, Fender, Engine By B & S
33	1499	Locknut, 3/8-16 Thd.	72	70678	Decal, Fender, Engine By B & S
34	1498	Locknut, 5/16-18 Thd.	73	70569	Decal, Seat Support
35	301141	Trottle Control	74	301722	Decal, Shift Pattern
36	1502	Locknut, 1/4-20 Thd.	75	308692	Decal, Instructions, Dash
37	271184	* Keps Nut, 5/16-18 Thd.	76	54786	Decal, Nameplate, Turbogreen
38	300220	Switch			
39	41482	Press Clip			

(*) Standard Hardware Items - May Be Purchased Locally.

32" RIDING MOWER MODEL 3595-3400



ALL UNNUMBERED
ITEMS ARE INTERCHANGEABLE
WITH OPPOSITE SIDE

NOTE: ALWAYS USE ORIGINAL EQUIPMENT
PARTS. Use of service/replacement parts other than
original equipment parts may void your warranty.

32" RIDING MOWER MODEL 3595-3400

Key No.	Part No.	Description	Key No.	Part No.	Description
1	46478	Grip, Clutch Lever	43	49059	Bar, Hitch
2	53885	Lever, Clutch	44	50613	Bracket, Pivot
3	53901	Screw, Special, 1/4-20 x 1-1/2 In.	45	300842	V-Belt
4	46561	Spring, Clutch Lever	46	20864	"E" Ring
5	271172	* Nut, Keps, 1/4-20 Thd.	47	55724	Pin, Pivot
6	1502	Locknut, 1/4-20 Thd.	48	48676	Plate, Lift Support
7	51875	Cable, Clutch Spring	49	996416	* Flatwasher, 25/64 In.
8	50083	Screw, Hex Hd, 5/16-18 x 3-1/2 In.	50	56283	Quill Assembly (Incl. Nos. 51-59)
9	1498	Locknut, 5/16-18 Thd.	51	1282	Locknut, Flange, 7/16-20 Thd.
10	7151	Support, Cable Pulley	52	56365	Flatwasher
11	121222	* Cotterpin, 3/32 x 3/4 In.	53	56391	Pulley
12	120376	* Nut, Square, 5/16-18 Thd.	54	56280	Spacer
13	39298	Pulley, Cable	55	49562	Bearing
14	49332	Pin, Clevis	56	50818	Spacer Tube
15	53697	Push Nut, 1/2 In.	57	55547	Quill Housing
16	53247	Quadrant	58	50616	Dust Shield
17	41482	Wire Clip, Press	59	56623	Saddle & Shaft Assembly
18	57564	Wire Assembly	60	47353	Pully Cover, L.H.
19	57476	Switch, Safety	61	122017	* Screw, Hex Hd, 5/16-18 x 1 In.
20	57220	Screw, Phl Pan Hd Tap, #12 x .50,	62	50634	Screw, Taptite, 5/16-18 x 7/8 In.
21	20250	Grip, Height Adjust Lever	63	9013	Mower Deck Assembly
22	120228	* Screw, Hex Hd, 5/16-18 x 5/8 In.	64	9405	Clevis, Lift Cable
23	47516	Shoulder Bolt	65	120372	* Nut, Square, 1/4-20 Thd.
24	57514	Bracket, Idler Arm	66	39522	Pin, Clevis
25	120696	* Screw, Hex Hd, 5/16-18 x 2-1/4 In.	67	300341	Cable, Deck Lift
26	41601	Rivet	68	47354	Baffle, L.H.
27	307153	Brake Pad	69	56820	Blade, 16 In.
28	47592	Idler Arm Assy. (Includes 26 & 27)	70	2483	Washer, Spring
29	51841	Spring, Clutch	71	39573	Screw, Hex Hd, 3/8-24 x 1 In.
30	47633	Pulley Cover, R.H.	72	51985	Support, Pivot Tube
31	68543	Decal, Height Adjust	73	23763	Axle, Wheel
32	68542	Decal, Caution, Hand-Cut	74	52584	Wheel
33	35410	Spring, Idler	75	120123	* Cotterpin, 1/8 x 1-1/4 In.
34	1499	Locknut, 3/8-16 Thd.	76	54528	Chute Extension
35	996425	* Flatwasher, 33/64 In.	77	52612	Pivot Tube Assembly
36	7354	Belt Retainer	78	4622	Lever, Height Adjust
37	52694	Pulley, Idler	79	53246	Spring
38	122168	* Screw, Hex Hd, 3/8-16 x 1-3/4 In.			
39	120918	* Screw, Hex Hd, 3/8-16 x 1-1/2 In.			
40	49058	Bracket, Bar Hitch Lock			
41	47816	Pin, Clevis			
42	56180	Hairpin Cotter			