

REPAIR PARTS MANUAL
36" - 12 H.P. RIDING MOWER
with Rear Mounted Grass Catcher
MODEL 3612-10

WARRANTY

ONE YEAR LIMITED WARRANTY

For one (1) year from date of purchase by the first consumer for residential use (thirty (30) days commercial use), Western International Incorporated warrants that it will replace free of charge, including labor, any original part of any Western International Incorporated product found to be defective by any authorized Service Dealer or the factory, except the battery which is warranted for ninety (90) days from date of purchase.

This warranty does not cover engine, transmission, transaxle or differential (these items are covered by their manufacturer's own warranty). This warranty does not cover parts that have failed due to normal wear or parts that have failed subject to misuse or abuse. Transportation of the unit or part to and from an authorized Service Dealer or the factory is the responsibility of the owner.

A step by step explanation as to what procedure should be followed for this Warranty is:

1. If a part becomes defective, contact the store where the unit was purchased for the name and address of the authorized Service Dealer nearest to you.
2. If you cannot locate an authorized Service Dealer, write Service Department of Western International Incorporated for the name and address of the authorized Service Dealer in your area or call the Service Department at 1-800-247-7464 (outside Iowa), 1-515-265-3461 (Iowa).
3. Return the defective product, along with proof of purchase to such authorized Service Dealer for replacement of any defective part where covered by this warranty.

There is no other express warranty. Implied warranties, including those of merchantability and fitness for a particular purpose are limited to one (1) year from date of purchase. Liability for incidental or consequential damages are excluded.

Some states do not allow limitations on how long an implied warranty lasts, so the above limitation may not apply to you. Some states do not allow the exclusion of incidental or consequential damages, so the above exclusion may not apply to you. This warranty gives you specific legal rights, and you may have other rights which vary from state to state.

Western International Incorporated

P.O. Box 377

Des Moines, Iowa 50302

UNIT PARTS AND SERVICE

This manual contains instructions for safety, assembly and maintenance. Read this manual carefully and completely so that you will know proper assembly, use and care of your unit. Also fill in and mail the registration card packed with the unit. For service other than covered in this manual, contact an authorized service dealer. A nationwide parts and service organization has been established to provide locally available parts and service. A list of authorized parts distributors has been included in this manual. When ordering repair parts, always give the following information: 1. The Part Name; 2. The Part Number; 3. The Quantity desired; 4. The Full (eight digit) Model Number of the unit. The model number will be found on a plate attached to the unit.



Look for this symbol. It means - ATTENTION! BECOME ALERT! A HAZARD TO OPERATOR, BYSTANDERS, PROPERTY OR EQUIPMENT MAY EXIST.

WESTERN INTERNATIONAL INCORPORATED
P.O. BOX 377
DES MOINES, IOWA 50302

Part No. 62931

3286

NOTICE: The Operational Precautions listed below are in addition to those listed in your Operator's Manual. Please read both lists before operating your riding mower.

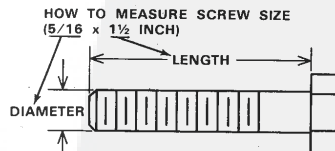
OPERATIONAL PRECAUTIONS

⚠️ *THESE INSTRUCTIONS ARE FOR YOUR PROTECTION. PLEASE READ THEM CAREFULLY.* ⚠️

1. Know the controls and how to stop quickly. Read this Owner's Manual and review Riding Mower Manual. Wear safety glasses or eye shields while assembling or operating the riding mower with grass catcher attachment.
2. When using the riding mower with grass catcher attachment:
 - A. DO NOT operate the riding mower without the entire grass catcher assembly or discharge chute deflector in place.
 - B. Never make any adjustments or repairs while the engine is running.
 - C. Shut off engine when removing grass from grass catcher or unplugging mower chute or catcher tube.
 - D. DO NOT operate riding mower with grass catcher assembly while barefooted. ALWAYS wear substantial footwear, preferably steel-toed shoes. DO NOT wear loose fitting clothing that could get caught in any moving parts.
 - E. ALWAYS keep clear of discharge chute/tube or any moving parts while engine is running.
 - F. Mow only in daylight or good artificial light.
3. ALWAYS place the mower clutch lever in disengage position when not cutting grass, such as when crossing a rock or gravel driveway or roadway and when transporting the riding mower with grass catcher attachment.
4. Disengage mower blades, stop engine, remove ignition key and set parking brake before leaving operator's position.
5. Disengage power to mower blades, stop engine, remove ignition key, set parking brake and disconnect spark plug wire before making any repairs, adjustments or cleaning the riding mower or grass catcher attachment.
6. Check grass bags frequently for wear and/or deterioration. Replace worn or damaged bags.
7. DO NOT run engine indoors. Exhaust fumes contain CARBON MONOXIDE which is an ODORLESS and DEADLY GAS.
8. Take all possible precautions when leaving the riding mower unattended, such as disengaging the mower clutch lever, shifting into neutral, setting parking brake, stopping engine and removing ignition key.
9. NEVER store grass catcher with grass clippings in the catcher bags. Even a small pile of grass clippings can create enough heat to start a fire.
10. If grass catcher attachment will be used on other than level ground, the use of a front weight box is recommended.

CONTENTS OF SHIPPING CARTON

- | | |
|---|---|
| <ul style="list-style-type: none"> 1 - 36 inch Riding Mower w/catcher 1 - Engine Manual 1 - Operator's Manual 1 - Repair Parts Manual 1 - Steering Wheel (with roll pin partially installed) 1 - Steering Shaft Cover 1 - Seat 1 - Battery 1 - Catcher Mounting Bracket 1 - Upper Brace 1 - Grass Catcher Support 1 - Grass Catcher Cover Assembly 1 - Deflector 1 - Transition Chute 1 - Upper Tube 2 - Grass Bag Assemblies 1 - Bag of Rider Assembly Parts Containing: <ul style="list-style-type: none"> 1 - Trough (oil drain) 1 - Battery Hold-Down Bracket 2 - Battery Hold-Down Rods 1 - Bag of Battery Hold-Down Parts Containing: <ul style="list-style-type: none"> 2 - ¼ inch Split Lockwashers 2 - 9/32 inch Flatwashers 2 - ¼ inch Hex Nuts 1 - Bag of Battery Cable Parts Containing: <ul style="list-style-type: none"> 2 - ¼ x ¾ inch Carriage Bolts 2 - ¼ inch Keps Nuts (star washer attached) 1 - Bag of Seat Mounting Parts Containing: <ul style="list-style-type: none"> 4 - 5/16 inch Split Lockwashers 4 - 5/16 x ½ inch Hex Head Screws | <ul style="list-style-type: none"> 1 - Bag of Catcher Assembly Parts Containing: <ul style="list-style-type: none"> 1 - Spacer 1 - Rubber Latch 1 - Latch Pin 1 - Latch Rod 3 - Cover Hinges 1 - Spring Washer 1 - Formed (curved) Washer 1 - ¼ x ¾ inch Hex Head Screw 8 - ¼ x ¾ inch Slot Head Screws 2 - ¼ x ½ inch Hex Washer Head Screws 1 - ¼ x ½ inch Hex Washer Head Self-Tap Screw 11 - ¼ inch Locknuts 1 - ¼ inch Wide Flange Locknut 1 - 5/16 x 1½ inch Hex Head Screw 1 - 5/16 x ½ inch Hex Head Screw 5 - 5/16 inch Locknuts 2 - ¾ x 1 inch Hex Head Screws 2 - ¾ inch Locknuts 2 - 9/32 inch Flatwashers |
|---|---|



OWNER'S INFORMATION

Record the following information about your unit so that you will be able to provide it in case of loss or theft.

MODEL NUMBER: - (Enter complete 8 digit model number from model plate on unit)

PURCHASE DATE: ___ / ___ / ___ CODE NO. _____ SERIAL NO. _____

DEALER'S NAME AND ADDRESS _____

CITY _____ STATE _____ TELEPHONE _____

NOTICE: The assembly, operating and adjusting instructions in this manual are either different or additional to those printed in the **Operator's Manual** supplied with your unit.

Your riding mower and grass catcher attachment have a right and left side as you face forward while seated in operator's seat.

TOOLS REQUIRED FOR ASSEMBLY

- 2 - 7/16 inch Wrenches (or adjustable wrenches)
- 2 - 1/2 inch Wrenches (or adjustable wrenches)
- 2 - 9/16 inch Wrenches (or adjustable wrenches)
- 1 - Hammer (plastic or rawhide preferred)
- 1 - Screwdriver

⚠ DANGER ⚠

This riding mower and grass catcher attachment can be dangerous if carelessly used.

Read Operator's Manual thoroughly before operating machine.

Always wear safety glasses or eye shields when assembling or operating machine.

DO NOT carry passengers at any time.

Keep hands, feet, hair and loose clothing away from discharge area, underside of mower deck or any moving parts while engine is running.

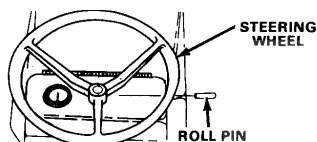
DO NOT allow children or young teenagers to operate or be near machine while it is operating.

ASSEMBLY

STEERING WHEEL INSTALLATION

1. Position front wheels straight forward.
2. Place steering shaft cover down over top end of steering shaft.
3. Push steering wheel (figure 1) onto steering shaft.
4. Align cross holes in steering wheel with hole in steering shaft.
5. Drive roll pin through holes with hammer.

Figure 1



BATTERY INSTALLATION

1. Raise seat and place battery back into unit with positive (+) terminal (figure 2) toward left side of unit.
2. Place a battery hold down rod through hole in each end of battery hold-down bracket as shown in figure 2.
3. Place a 9/32 inch flatwasher, a 1/4 inch split lockwasher and a 1/4 inch hex nut onto each rod.
4. Position battery hold-down bracket onto top front edge of battery (terminal side). **NOTE:** Be sure that the battery hold-down bracket is installed so that the narrow side is on top of battery.

CAUTION

Be sure that battery hold-down bracket does not touch battery terminals. When installing battery cables, install positive (red) cable first. When disconnecting battery cables, disconnect negative (black) cable first. Be sure that wrench does not touch any metal surface or both terminals, as damage to electrical system could result.

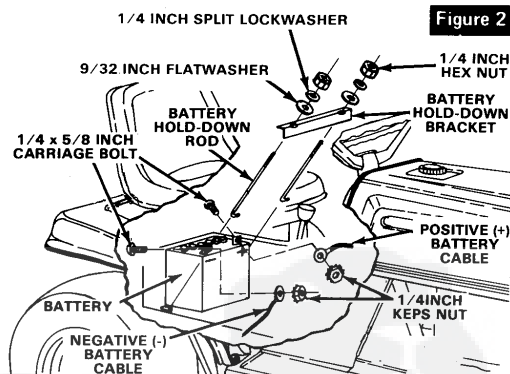


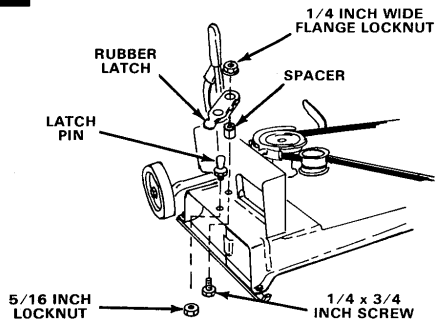
Figure 2

5. Place hook ends of battery hold-down rods into holes in main frame on each end of battery.
6. Tighten hex nuts to secure battery.
7. Attach positive (red) battery cable (figure 2) to positive (+) terminal on battery with a 1/4 x 5/8 inch carriage bolt and a 1/4 inch keps nut. **NOTE:** Be sure battery cable does not touch battery hold-down bracket.
8. Attach negative (black) cable (figure 2) to negative (-) terminal on battery with a 1/4 x 5/8 inch carriage bolt and a 1/4 inch keps nut.
9. Removal of battery for maintenance is reverse of installation. **NOTE:** Be sure to disconnect negative (black) cable first and do not allow wrenches to touch any metal surface or other terminal.

MOWER DECK ASSEMBLY

1. Attach rubber latch (figure 3) to mower deck with a 1/4 x 3/4 inch screw, a spacer and a 1/4 inch wide flange locknut.
2. Attach latch pin to mower deck with a 5/16 inch locknut (figure 3).

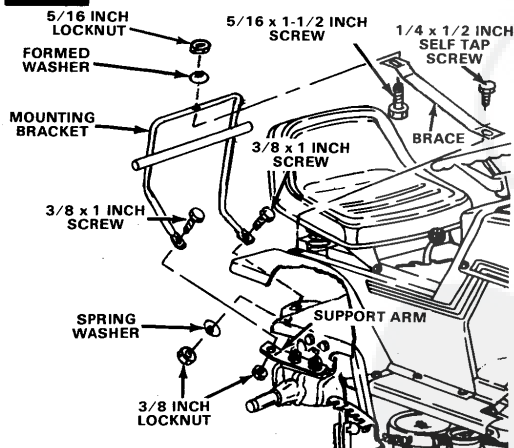
Figure 3



TO INSTALL MOUNTING BRACKET

1. Attach right hand leg of mounting bracket (leg with least amount of bend) to support arm (figure 4) with a 3/8 x 1 inch screw and a 3/8 inch locknut. Leave screw loose enough to allow mounting bracket to pivot.
2. Attach left hand leg of mounting bracket to main frame hitch hole with a 3/8 x 1 inch screw, a spring washer (underneath main frame) and a 3/8 inch locknut. Leave screw loose enough to allow mounting bracket to pivot.
3. Attach slotted end of brace to underside of mounting bracket as shown in figure 4 with a 5/16 x 1 1/2 inch screw (from bottom side) a formed washer and a 5/16 inch locknut. Do not tighten.
4. Pivot seat forward and attach end of brace to hole in right rear corner of console top (figure 4) with a 1/4 x 1/2 inch self-tap screw.
5. Adjust mounting bracket to a straight up and down position and securely tighten screw left loose in step 3.
6. Pivot mounting bracket until it appears to be straight with back of riding mower and tighten all fasteners securely.

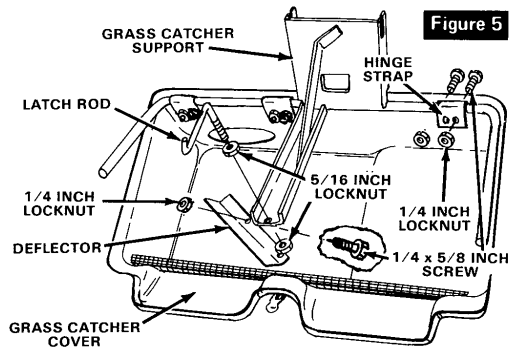
Figure 4



GRASS CATCHER COVER ASSEMBLY

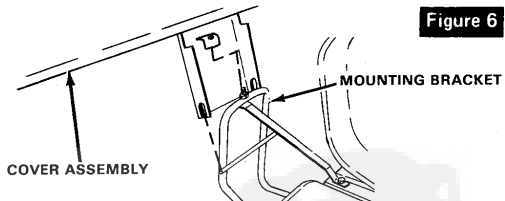
1. Attach deflector to inside of cover with two 1/4 x 5/8 inch screws and two 1/4 inch locknuts (figure 5).
2. Thread a 5/16 inch locknut all the way onto latch rod (figure 5).
3. Place threaded end of latch rod through hole in center arm of grass catcher support (figure 5) and secure with a 5/16 inch locknut.

Figure 5



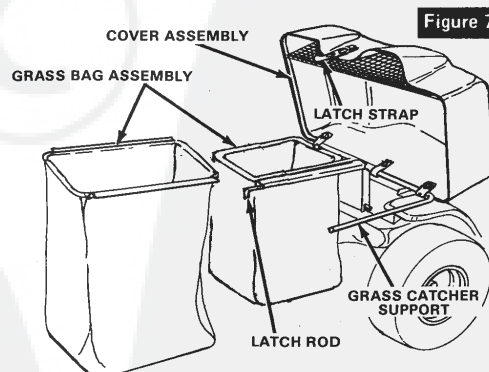
4. Lay grass catcher cover assembly up side down.
5. Place grass catcher support into ledge inside grass catcher cover assembly.
6. Attach three cover hinge straps to cover and support assembly with six 1/4 x 5/8 inch screws and six 1/4 inch locknuts.
7. Turn cover assembly over and mount onto mounting bracket as shown in figure 6.

Figure 6



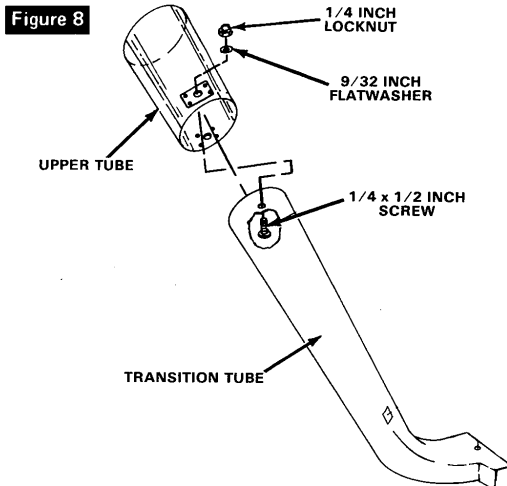
8. Pivot cover assembly toward front of grass catcher attachment and install grass bag assemblies as shown in figure 7. **NOTE:** Grass bags must be installed with solid panel in toward front of grass catcher.
9. Pivot cover assembly toward rear of grass catcher attachment and hook latch strap to latch pin (figure 7).

Figure 7



DISCHARGE CHUTE ASSEMBLY

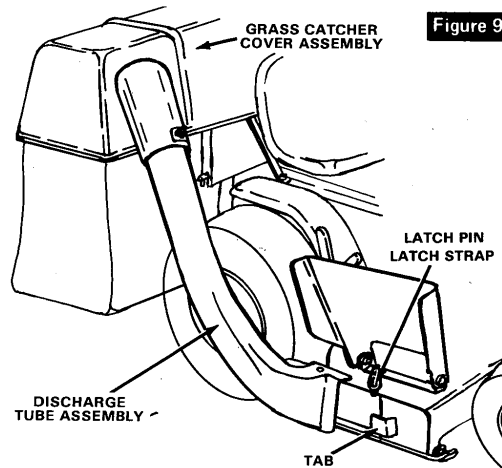
1. Attach upper tube to transition chute as shown in figure 8, with two 1/4 x 1/2 inch hex washer head screws (from inside of transition chute), two 9/32 inch flatwashers and two 1/4 inch locknuts.



2. Place upper end of discharge tube assembly into hole in front of grass catcher cover assembly (figure 9).

3. Slide lower front of transition chute behind tab on mower deck (figure 9) and over latch pin.

4. Secure with latch strap (figure 9).



OPERATION

⚠ DANGER ⚠

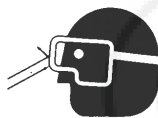
OPERATE MOWER WITH COMPLETE BAGGING ATTACHMENT IN PLACE.

SHUT OFF ENGINE BEFORE OPENING COVER OR EMPTYING GRASS BAGS.

OBJECTS MAY BE THROWN FROM DISCHARGE TUBE.

DO NOT REACH INTO DISCHARGE TUBE WHILE ENGINE IS RUNNING.

The operation of this riding mower and grass catcher can result in objects being thrown into the eyes, which can result in severe eye damage. Always wear safety glasses or eye shields while operating a riding mower. We recommend standard safety glasses, or Wide Vision safety mask for over spectacles.



Get to know your riding mower and its controls. Be sure you (or any other operator) have read and understood the **Operational Precautions** listed on page 2 of this manual and in your riding mower operator's manual.

Avoid sharp turns at high speed and uphill or downhill turns. Operate mower carefully. Be especially cautious on hills. When riding down inclines, keep shift control in low speed with brake-clutch pedal out. This allows the engine to control the speed. Use brake for fast stops on hill. When operating on hills the use of a front weight box attachment is recommended. Use weight box kit #5709.

CAUTION

If grass catcher attachment will be used on other than level ground, the use of a front weight box is recommended.

If grass clippings are going to be bagged and hauled away, you may line grass bag assemblies with a 30 x 36 plastic trash bag. Roll top of bag around frame of grass bag to hold in place during collection.

OPERATION (Rider with Catcher)

Take a comfortable position on the riding mower and start the riding mower engine. After engine warmup, depress brake-clutch pedal and move shift control lever to desired forward gear. **Release brake-clutch pedal slowly and riding mower will move forward. Until you get the feel of the machine, stay in the low speed position.** With mower blades stopped, make your first run in a large, open, level area. Learn to start, stop and change direction in this area.

Stop engine before leaving operator's position.

The engine should be run at fast throttle for proper grass cutting and collecting of clippings, and ground speed controlled by shift lever position. Forward speed of the riding mower must be controlled in accordance with the type and quantity of grass being mowed. The more grass that must be cut, the slower the speed forward should be. When cutting light grass, the forward speed can be increased. By observing the collecting action of your mower, you can determine how fast you can travel.

To mow heavy growth or on rough ground, set mower at maximum height. After growth is cleared, reduce cutting height as desired.

Height-of-cut should not be set too low on thick, lush lawns, or grass may die. If height is too low, the deck wheels may sink into the lawn, causing the mower deck to drop down on the grass and reduce the discharging effect of the cutting blade. New grass should be cut in the afternoon when it is dry. Never cut wet grass. Wet grass will pack under mower deck and in transition chute and will not discharge properly.

KEEP EQUIPMENT CLEAN. Grass clippings may pack under the mower chassis and in discharge chute assembly due to the internal moisture content of the grass. This accumulation of cut grass should be removed after each mowing.

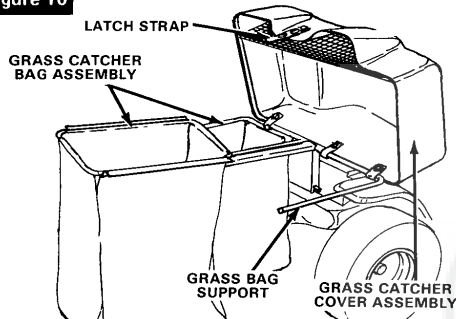
1. Disconnect spark plug wire, remove ignition key, set parking brake on riding mower.
2. Scrape accumulation off underside of mower deck with a putty knife or similar tool. Cleaning of the underside of mower housing is easier if mower deck is removed. See **Mower Deck Removal** paragraph in **Maintenance** section of riding mower operator's manual.
3. Remove discharge chute assembly from mower deck and grass catcher cover assembly and flush grass clippings with water.
4. Remove grass catching bags and flush grass clippings from cover assembly with water.

TO EMPTY GRASS CATCHER BAG

Check grass catcher bags at frequent intervals while mowing. Bag should be emptied as soon as clippings reach top of bag and after each use. To empty bag, proceed as follows:

1. Move mower clutch lever to DISENGAGE position and shift lever to NEUTRAL position.
2. Stop engine and set parking brake on riding mower.
3. Unhook latch strap from latch rod (figure 10).

Figure 10



4. Pivot cover assembly toward front of grass catcher and lift bag assemblies from support.
5. Remove all clippings from bags.

⚠ DANGER ⚠
NEVER store grass catcher with grass clippings in the catcher bags. Even a small pile of grass clippings can create enough heat to start a fire.

6. Reinstall bag assemblies.
7. Pivot cover assembly toward rear of grass catcher and hook latch strap to latch rod.

⚠ DANGER ⚠
DO NOT OPERATE MOWER UNLESS ENTIRE GRASS CATCHER ATTACHMENT IS IN PLACE.

TO CLEAR PLUGGED DISCHARGE CHUTE

Your discharge chute may become plugged with grass clippings due to over-filling grass catcher or cutting grass that is too long or wet. To unplug chute, proceed as follows:

1. Move mower clutch lever to DISENGAGE position and shift lever to neutral.
2. Stop engine and set parking brake.

⚠ DANGER ⚠
Blades will not stop immediately. Keep hands and feet from under mower and away from the discharge chute.

3. Disconnect spark plug wire.
4. Unhook latch strap from latch pin on mower deck and lift transition chute from mower deck.
5. Remove chute assembly from grass catcher cover assembly.
6. Shake grass clippings from chute assembly.
7. Remove clippings from mower deck discharge chute.
8. Re-attach chute assembly to grass catcher and mower deck in reverse order of removal.
9. Reconnect spark plug wire.

ADJUSTMENTS/REPAIRS

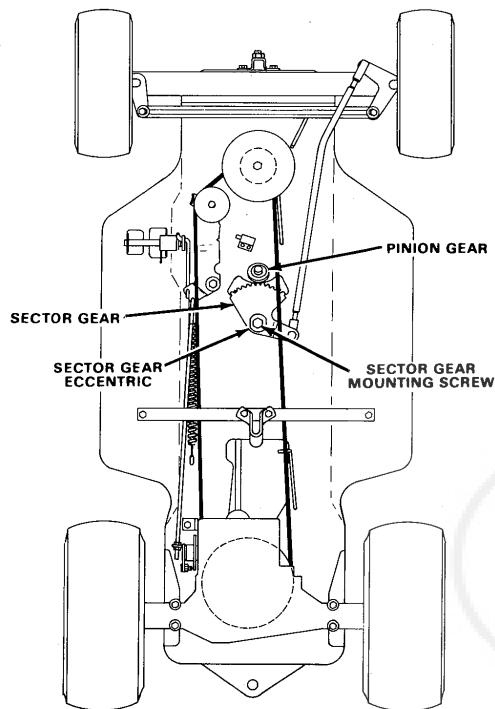
BLADE REPLACEMENT

The mower deck on this unit is equipped with two wing blades and one straight blade. The straight blade must be mounted crosswise to wing blade on side of deck nearest discharge chute. **CAUTION: NEVER remove wings from ends of wing blades.** If wings become damaged, order a new blade.

STEERING GEAR ADJUSTMENT

1. Disconnect spark plug wire.
2. Slightly loosen sector gear mounting screw under main frame (figure 11).
3. Turn sector gear eccentric (figure 11) to move sector gear forward or backward as needed.
4. Hold sector gear eccentric with wrench while tightening mounting screw securely.
5. Reconnect spark plug wire.

Figure 11



STORAGE

The grass catcher attachment should be immediately prepared for storage at the end of the season. To prepare grass catcher attachment for storage, proceed as follows:

1. Remove and clean chute assembly.
2. Remove and empty grass bag assemblies.

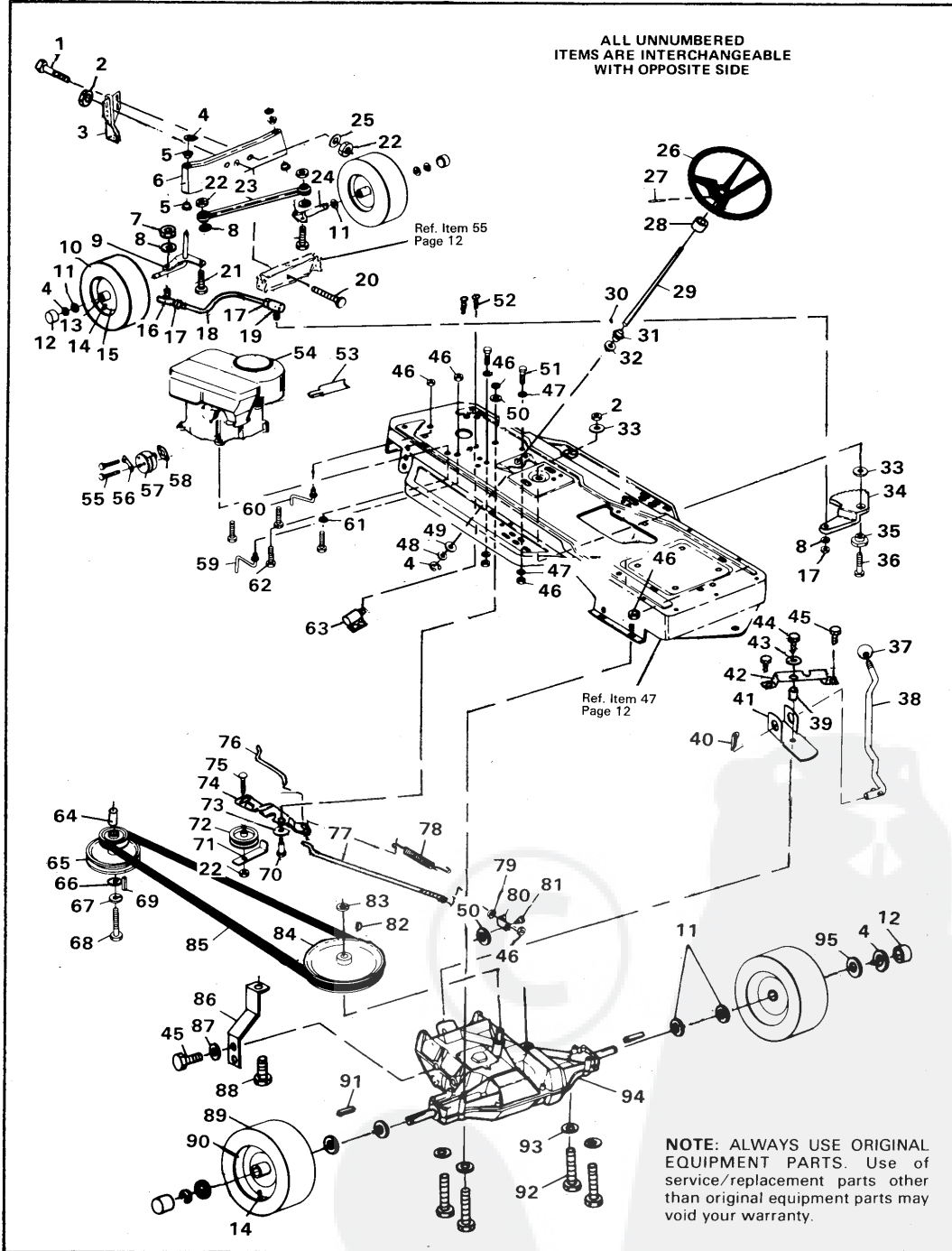
⚠ DANGER ⚠

NEVER store grass catcher attachment with grass clippings in the bags. Even a small pile of grass clippings can create enough heat to start a fire.

3. Clean the grass catcher cover assembly thoroughly.
 4. Inspect the grass catcher and mower deck assemblies for worn or damaged parts. Tighten all loose hardware.
 5. Check grass bags for wear and/or deterioration. Replace worn or damaged bags.
 6. Store the riding mower and grass catcher attachment in a clean, dry area and cover for additional protection.
- NOTE:** The grass catcher assembly can be easily lifted off the riding mower to reduce storage space.

REPAIR PARTS

36" RIDING MOWER w/CATCHER MODEL 3612-1000



36" RIDING MOWER w/CATCHER MODEL 3612-1000

ALWAYS GIVE THE FOLLOWING INFORMATION WHEN ORDERING REPAIR PARTS:
 1. The PART NUMBER; 2. The PART NAME; 3. QUANTITY DESIRED; 4. The MODEL NUMBER (As shown on Model Plate)
 SEND PART ORDERS AS PER INSTRUCTIONS ON THE FRONT PAGE
 YOUR UNIT IS RIGHT HAND (RH) OR LEFT HAND (LH) AS YOU STAND BEHIND IT.
 DO NOT USE KEY NUMBERS WHEN ORDERING REPAIR PARTS, ALWAYS USE PART NUMBERS.
 All replacement parts will be supplied in current production colors or in a neutral color.
 A handling fee is applicable to small parts orders.

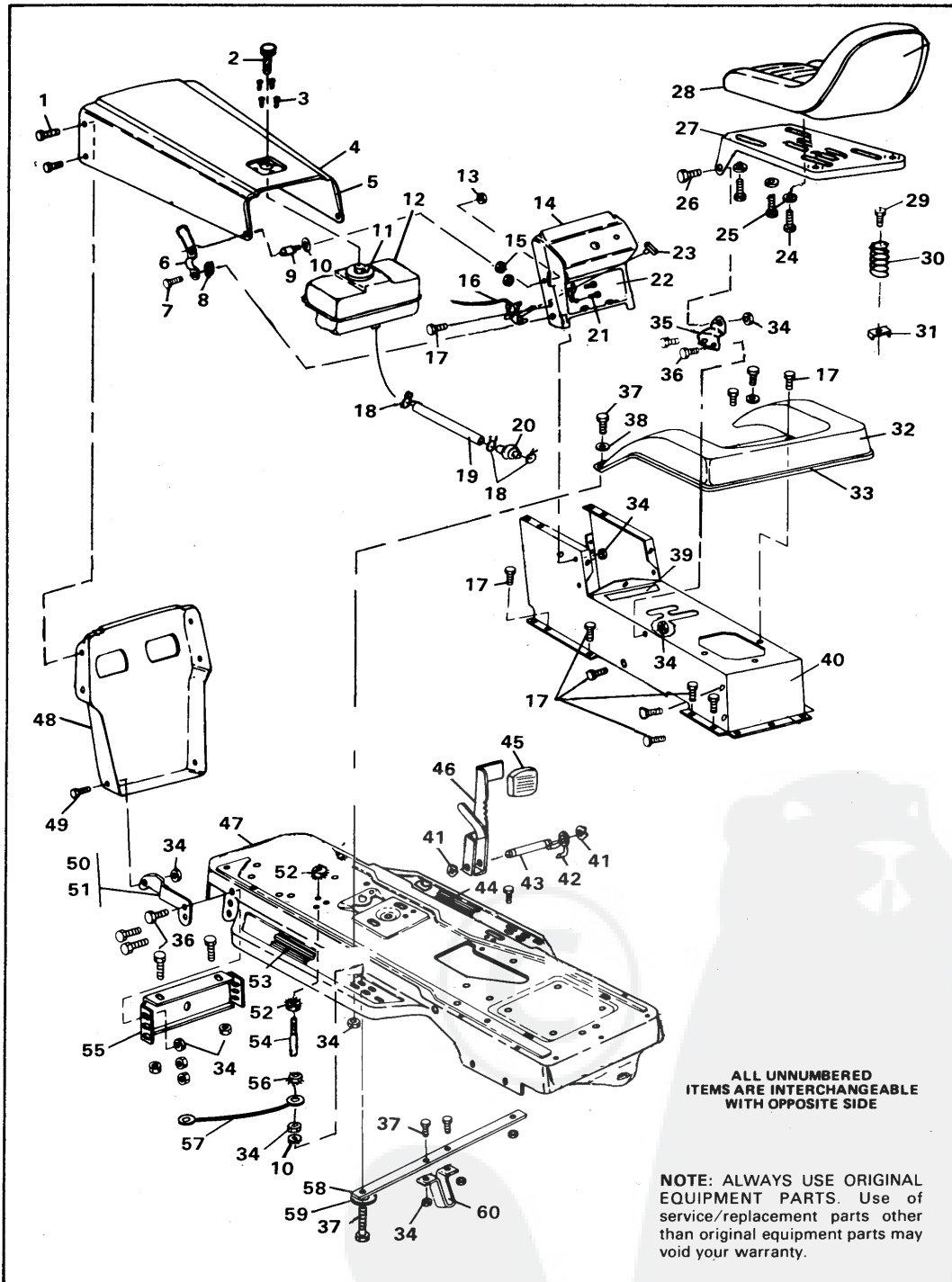
Key No.	Part No.	Description	Key No.	Part No.	Description
1	122207	*Screw, Hex Hd, 3/8-16 x 3 In.	50	45602	Washer, 5/16 In.
2	9414074	Locknut, 1/2-13 Thd.	51	120229	*Screw, Hex Hd, 5/16-18 x 7/8 In.
3	57167	Bracket, Deck Hanger	52	57220	Screw, Taptite
4	36625	"E" Ring	53	54873	Trough, Oil Drain
5	52407	Bearing, Front Spindle	54	Engine	§See Footnote Below
6	55730	Front Axle Assembly	55	173063	Screw, Hex Hd, 5/16-18 x 3 1/2 In.
7	120369	*Nut, Hex, 3/8-24 Thd.	56		Engine Part
8	120382	*Lockwasher, Split, 3/8 In.	57	56837	Muffler
9	52387	Front Spindle Assembly	58	46708	Gasket, Muffler
10	41108	Tire, Front	59	57259	Belt Guide
11	642	Flatwasher, 3/8 In.	60	57197	Belt Guide
12	40394	Hub Cap	61	138485	Star Washer
13	39979	Bearing, Front Wheel	62	50947	Screw, Taptite, 3/8-16 x 1 1/4 In.
14	24167	Valve Stem	63	57211	Switch
15	39829	Wheel w/Bearing, Front	64	56430	Spacer
16	21275	Ball Joint	65	56433	Pulley
17	124925	*Nut, Hex, 3/8-24 Thd.	66	56431	Washer, Pilot
18	57194	Steering Link	67	120383	*Lockwasher, Split, 7/16 In.
19	57158	Ball Joint	68	181682	Screw, Hex Hd, 7/16-20 x 4 In.
20	52403	Shoulder Bolt, Front Axle Pivot	69	56432	Key
21	122168	*Screw, Hex Hd, 3/8-16 x 1 3/4 In.	70	41890	Shoulder Bolt
22	9413534	Locknut, 3/8-16 Thd.	71	39659	Belt Retainer
23	57151	Tie Rod Assembly	72	35374	Pulley, Idler
24	52388	Front Spindle Assembly, R.H.	73	4107	Washer, 5/8 In.
25	2483	Spring Washer	74	57202	Idler Arm
26	55633	Steering Wheel	75	45892	Carriage Bolt, Rd. Hd, 3/8-16 x 1 1/2 In.
27	456836	*Roll Pin, 1/4 x 2 1/4 In.	76	57204	Rod, Clutch
28	57212	Cover, Steering Shaft	77	57203	Brake Rod
29	57156	Shaft, Steering	78	56359	Spring, Clutch
30	454565	*Roll Pin, 1/4 x 1 1/4 In.	79	271184	*Keys Nut, 5/16-18 Thd.
31	52428	Pinion, Steering	80	57217	Bracket, Brake Rod
32	52405	Bushing	81	20507	Shoulder Bolt
33	22265	Washer, 1/2 In.	82	3021	Key, Woodruff
34	52382	Sector Gear	83	22053	Retaining Ring
35	52406	Eccentric	84	55520	Pulley
36	180177	*Screw, Hex Hd, 1/2-13 x 1 1/2 In.	85	57214	V-Belt
37	55514	Knob, Gear Shift	86	54690	Stabilizing Bracket
38	57169	Shift Lever	87	120638	*Lockwasher, Split, 5/16 In.
39	57269	Spacer, Transaxle	88	122007	*Screw, Hex Hd, 5/16-18 x 3/4 In.
40	137185	*Pin, Cotter, 1/8 x 1 In.	89	57164	Tire, Rear
41	56348	Shift Bracket	90	57165	Wheel, Rear
42	57270	Bracket, Transaxle	91	39628	Key, 3/16 x 3/16 x 2 1/2 In.
43	120380	*Lockwasher, Split, 1/4 In.	92	180112	*Screw, Hex Hd, 5/16-18 x 2 3/4 In.
44	454856	Screw, Hex Hd, 1/4-28 x 2 In.	93	120386	*Flatwasher, 5/16 In.
45	35498	Screw, Taptite, 5/16-18 x 3/4 In.	94	Transaxle	†Peerless 5 Speed, Model 900
46	9413447	Locknut, 5/16-18 Thd.	95	42815	Flatwasher, 3/8 In.
47	120393	Washer, 11/32 In.	96	62836	Operator's Manual (Not Illustrated)
48	21682	Washer, 3/8 In.	97	62931	Parts Manual (Not Illustrated)
49	21970	Washer, 1-1/32 In.			

*Standard Hardware Items - May Be Purchased Locally.

†Contact Tecumseh/Peerless authorized service dealer for parts and warranty.

§Contact Engine Manufacturer's authorized service dealer (See Engine Manual) for parts and warranty.

36" RIDING MOWER w/CATCHER MODEL 3612-1000



36" RIDING MOWER w/CATCHER MODEL 3612-1000

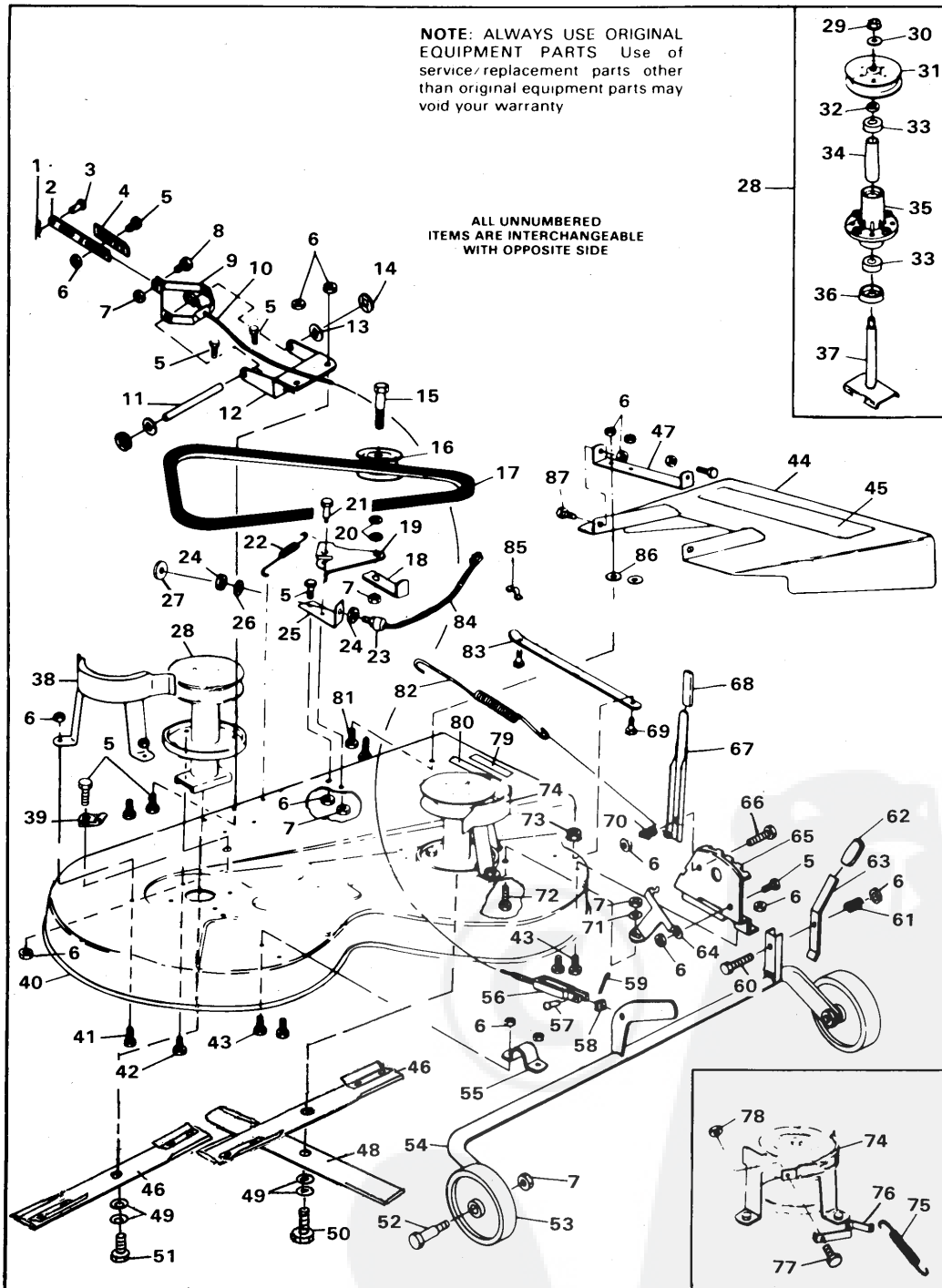
Key No.	Part No.	Description	Key No.	Part No.	Description
1	57215	Screw, Taptite, 5/16-9 x 3/4 In.	31	56060	Clip, Seat
2	50988	Gauge, Fuel	32	57170	Fender Assembly
3	49050	Screw, Plastite, 1/4-10 x 3/4 In.	33	55023	Edging, Fender
4	52073	Hood	34	9413447	Locknut, 5/16-18 THd.
5	56303	Edging, Hood	35	57152	Bracket, Support
6	57159	Latch, Hood	36	120228	*Screw, Hex Hd, 5/16-18 x 3/8 In.
7	8482	Shoulder Bolt	37	122017	*Screw, Hex Hd, 5/16-18 x 1 In.
8	120394	*Flatwasher, 13/32 In.	38	446363	*Flatwasher, 3/8 In.
9	53446	Pin, Hood Latch	39	70117	Decal, Caution
10	138538	Lockwasher, Int. Tooth, 5/16 In.	40	55736	Console
11	54885	Pad, Fuel Tank	41	20864	Retaining Ring
12	48812	Fuel Tank	42	57213	Spring, Brake Pedal Return
13	45174	Locknut, Wide Fl, 5/16-18 Thd.	43	57196	Rod, Brake-Clutch
14	56045	Dash	44	57276	Food Pad, R.H.
15	271166	*Nut, Keps, No. 10-24 Thd.	45	48160	Pad, Brake Pedal
16	56534	Throttle Control	46	52575	Brake Pedal Assembly
17	995346	*Screw, Taptite, 1/4-20 x 1/2 In.	47	57179	Main Frame
18	41008	Clamp, Fuel Line	48	53402	Grille
19	50118	Tubing, Fuel Line	49	36149	Shoulder Bolt
20	56679	Filter, Gas Line	50	57154	Bracket, Grille, R.H.
21	35291	Screw, Hex Hd, No. 10-24 x 1/2 In.	51	57155	Bracket, Grille, L.H.
22	70458	Decal, Dash	52	271190	*Keps Nut, 3/8-16 Thd.
23	39486	Knob, Throttle Control	53	57277	Foot Pad, L.H.
24	120834	*Screw, Hex Hd, 5/16-18 x 1/2 In.	54	57362	Rod, Upstop
25	120638	*Lockwasher, Split, 5/16 In.	55	56361	Bracket, Axle Support
26	20507	Shoulder Bolt	56	271184	*Keps Nut, 5/16-18 Thd.
27	56196	Mounting Bracket, Seat	57	55511	Ground Wire
28	54639	Seat	58	43964	Bracket, Deck Guide Support
29	44811	Screw, Taptite, 1/4-20 x 3/4 In.	59	120386	*Flatwasher, 5/16 In.
30	57153	Spring, Seat	60	49777	Guide, Rear Deck

*Standard Hardware Items - May Be Purchased Locally.

36" RIDING MOWER w/CATCHER MODEL 3612-1000

NOTE: ALWAYS USE ORIGINAL EQUIPMENT PARTS Use of service/replacement parts other than original equipment parts may void your warranty

ALL UNNUMBERED ITEMS ARE INTERCHANGEABLE WITH OPPOSITE SIDE

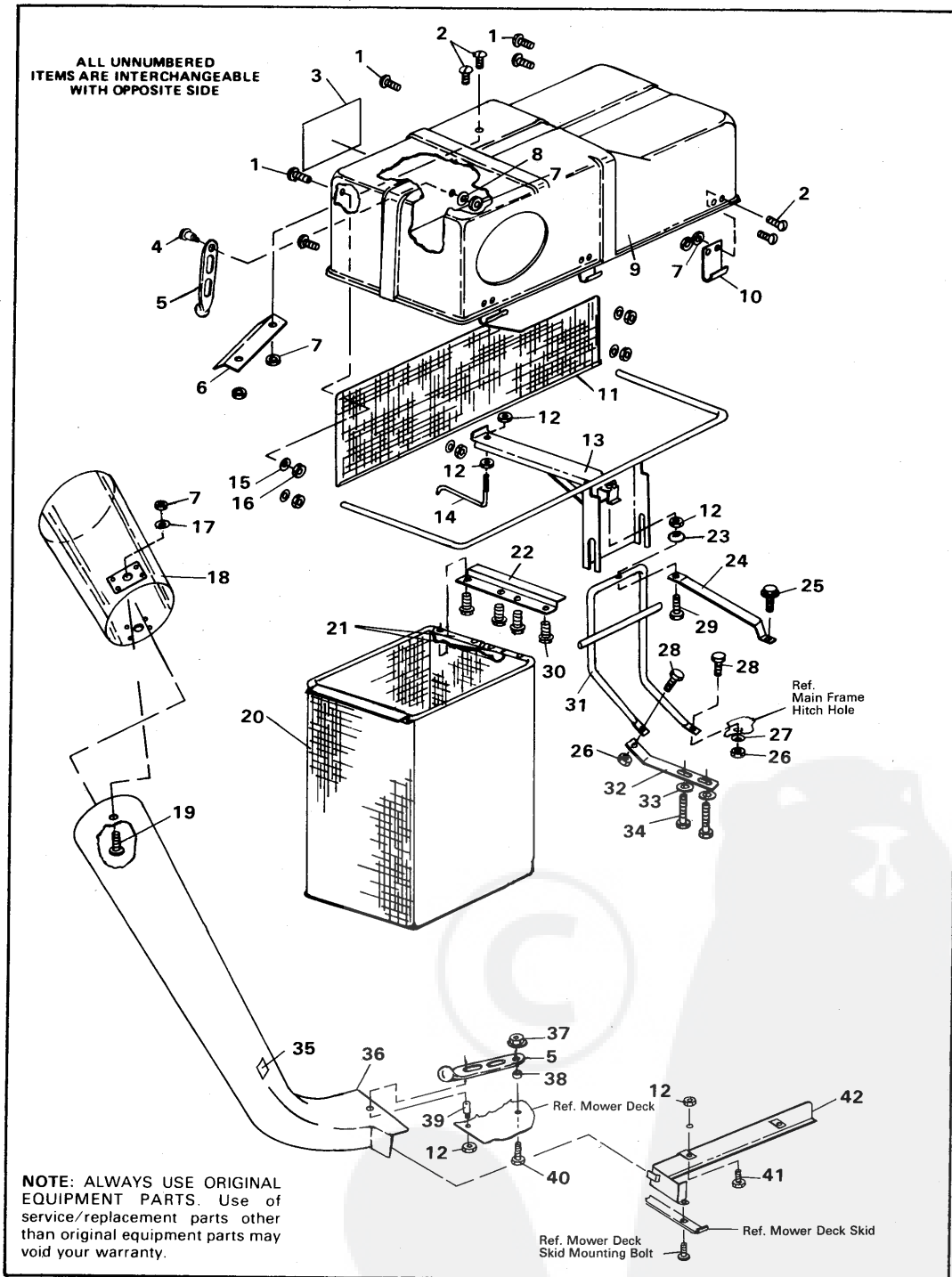


36" RIDING MOWER w/CATCHER MODEL 3612-1000

Key No.	Part No.	Description	Key No.	Part No.	Description
1	56180	Hairpin Cotter	45	70203	Decal, Caution
2	49059	Bar Hitch	46	56653	Blade Assembly, 18 In.
3	47816	Pull Pin	47	41212	Pivot Bracket
4	49058	Lock Bracket	48	56821	Blade, 18 In.
5	120228	*Screw, Hex Hd, 5/16-18 x 5/8 In.	49	2483	Spring Washer
6	9413447	Locknut, 5/16-18 Thd.	50	47665	Screw, Nylock, 3/8-24 x 1 1/4 In.
7	9413534	Locknut, 3/8-16 Thd.	51	39573	Screw, Hex Hd, Lock, 3/8-24 x 1 In.
8	120918	*Screw, Hex Hd, 3/8-16 x 1 1/2 In.	52	23763	Shoulder Bolt
9	50613	Pivot Bracket	53	52584	Wheel Assembly, Deck
10	55880	Lift Cable	54	54823	Pivot Tube Assembly
11	55724	Pivot Rod	55	51984	Support, Pivot Tube
12	48676	Lift Support Plate	56	39404	Clevis, Lift Cable
13	996425	*Flatwasher, 33/64 In.	57	39522	Pin, Clevis
14	20864	Retaining Ring	58	120372	*Nut, Square, 1/4-20 Thd.
15	122181	*Screw, Hex Hd, 3/8-16 x 2 In.	59	8260	Hairpin Cotter
16	39498	Idler Pulley, Drive	60	120696	*Screw, Hex Hd, 5/16-18 x 2 1/4 In.
17	43066	V-Belt	61	53246	Spring, Height Adjust Lever
18	40304	Belt Retainer	62	53995	Hand Grip, Height Adjust Lever
19	41202	Bracket, Blade Throwout Idler	63	56583	Lever, Height Adjust
20	845	Flatwasher, 25/64 In.	64	53781	Brace, Height Adjust Bracket
21	54854	Shoulder Bolt	65	53783	Bracket, Height Adjust
22	41357	Spring, Blade Throwout Return	66	122040	*Screw, Hex Hd, 5/16-18 x 1 1/2 In.
23	41204	Switch, Lockout	67	53780	Lever, Deck Engage
24	45877	Locknut (Lockout Switch)	68	55213	Hand Grip, Deck Engage Lever
25	41210	Mounting Bracket, Switch	69	126216	*Carriage Bolt, 5/16-18 x 3/4 In.
26	45878	Lockwasher (Lockout Switch)	70	29170	Spring, Deck Engage Lever
27	56635	Nut, hex, 15/32 In.	71	120394	*Flatwasher, 13/32 In.
28	56424	Quill Assy. (Includes Nos. 29-37)	72	180120	*Screw, Hex Hd, 3/8-16 x 3/4 In.
29	51445	Flange Nut, 7/16-20 Thd.	73	271184	*Nut, Hex, Keps, 5/16-18 Thd.
30	56365	Flatwasher	74	56575	Belt Guard, R.H., Pulley
31	56390	Pulley	75	53779	Spring, Brake Release
32	51449	Spacer	76	43054	Spring, Belt Brake
33	49562	Bearing	77	443874	*Screw, Hex Hd, No. 10-24 x 1/2 In.
34	50818	Spacer, Tube	78	997316	Locknut, No. 10-24 Thd.
35	55547	Quill Casting	79	68547	Decal, Caution
36	50616	Dust Shield, Quill	80	69617	Decal, Height Adjust
37	56425	Saddle and Shaft Assembly	81	122007	*Screw, Hex Hd, 5/16-18 x 3/4 In.
38	39461	Belt Guard, L.H. Pulley	82	53886	Spring, Blade Throwout
39	56546	Retainer, Wire	83	55369	Skid Bar
40	56456	Mower Deck	84	48851	Wire Assembly, Deck Switch
41	122017	*Screw, Hex Hd, 5/16-18 x 1 In.	85	41482	Wire Clip, Press
42	50634	Screw, Taptite, 5/16-18 x 7/8 In.	86	45602	Flatwasher, 21/64 In.
43	120834	*Screw, Hex Hd, 5/16-18 x 1/2 In.	87	8482	Shoulder Bolt
44	41211	Chute Guard			

*Standard Hardware Items - May Be Purchased Locally.

36" RIDING MOWER w/CATCHER MODEL 3612-1000



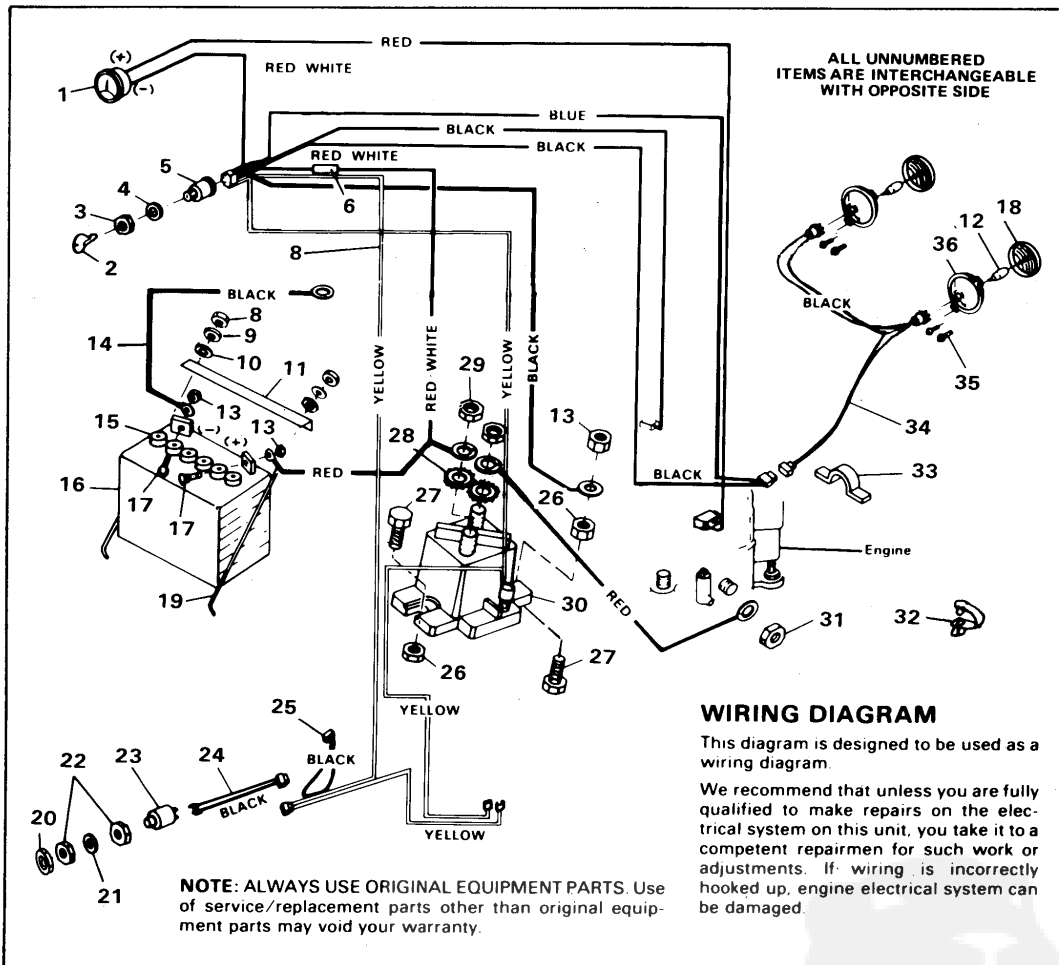
36" RIDING MOWER w/CATCHER MODEL 3612-1000

Key No.	Part No.	Description
1	57034	Screw, Ma., No. 10-24 x 5/8 In.
2	55686	Screw, Sl. Rd. Ma., 1/4-20 x 5/8 In.
3	70326	Decal, Cover
4	46563	Shoulder Bolt, Cover Latch
5	48704	Latch, Strap, Rubber
6	56646	Deflector, Cover
7	9424215	Locknut, 1/4-20 Thd.
8	120385	*Flatwasher, 1/4 In.
9	56444	Cover
10	56417	Hinge, Cover
11	56443	Screen
12	9413447	Locknut, 5/16-18 Thd.
13	56407	Support Assembly
14	56418	Latch, Rod Cover
15	9417373	Washer, 13/16 In.
16	271166	Keps Nut, No. 10-24 Thd.
17	120392	*Flatwasher, 9/32 In.
18	57275	Upper Tube Assembly
19	50559	Screw, Hex Hd, 1/4-20 x 1/2 In.
20	56664	Bag
21	56420	Tube

Key No.	Part No.	Description
22	56419	Support Bag
23	8728	Formed Washer
24	57271	Brace
25	995346	*Screw, Taptite, 1/4-20 x 1/2 In.
26	9413534	Locknut, 3/8-16 Thd.
27	2483	Spring Washer
28	180122	*Screw, Hex Hd, 3/8-16 x 1 In.
29	122040	*Screw, Hex Hd, 5/16-18 x 1 1/2 In.
30	9426217	*Screw, Taptite, No. 10-16 x 1/2 In.
31	56438	Mounting Bracket Assembly
32	57162	Support Arm
33	120386	*Flatwasher, 5/16 In.
34	180112	Screw, Hex Hd, 5/16-18 x 2 3/4 In.
35	70325	Decal, Transition Chute
36	56452	Chute, Transition
37	50352	Locknut, Wide Flange, 1/4-20 Thd.
38	43042	Spacer
39	48703	Pin, Latch
40	121887	*Screw, Hex Hd, 1/4-20 x 3/4 In.
41	120834	*Screw, Hex Hd, 5/16-18 x 1/2 In.
42	56416	Baffle Assembly, Mower Deck

*Standard Hardware Items - May Be Purchased Locally.

36" RIDING MOWER w/CATCHER MODEL 3612-1000



Key No.	Part No.	Description
1	39463	Ammeter
2	49643	Key, Ignition
3	48140	Locknut (Switch Part)
4	138557	Lockwasher (Switch Part)
5	52583	Switch, Ignition w/Keys
6	49211	Fuse
7	57273	Wire Harness Assembly
8	120375	*Nut, Hex, 1/4-20 Thd.
9	120380	Lockwasher, Split
10	120392	Flatwasher, 1/4 In.
11	56360	Bracket, Battery, Hold-Down
12	52570	Lens, Headlight
13	271172	*Nut, Keps, 1/4-20 Thd.
14	55511	Ground Wire
15	40892	Cap, Battery
16	56277	Battery
17	120854	*Carriage Bolt, 1/4-20 x 5/8 In.
18	52572	Bulb, Headlight

Key No.	Part No.	Description
19	40234	Battery Rod
20	56635	Nut, Hex
21	45878	Lockwasher (Lockout Switch Part)
22	45877	Nut (Lockout Switch Part)
23	41204	Switch, Lockout
24	48851	Wire Assembly, Deck Switch
25	42071	Wire Assembly, By-Pass
26	9424215	Locknut, Hex, 1/4-20 Thd.
27	187745	*Screw, Hex Hd, 1/4-20 x 3/4 In.
28	138485	*Washer, Ext., Shakeproof, 5/16 In.
29	120368	*Nut, Hex, 5/16-24 Thd.
30	53716	Solenoid
31		Engine Part
32	54888	Retainer, Wire
33	41482	Wire Clip, Press
34	56189	Lead Wire, Headlight
35	50668	Screw, Hex Wa. Hd, No. 10-14 x 1/2 In.
36	52571	Bezel, Headlight

*Standard Hardware Items - May Be Purchased Locally.

SEE, CALL OR WRITE ONE OF THE FOLLOWING DISTRIBUTORS FOR PARTS FOR: HOMKO - LAWN SCOUT - AMF - TURFMASTER - DYNAMARK - OR ANY OTHER WESTERN INTERNATIONAL INCORPORATED PRODUCT.

ALABAMA

Automotive Elect. Service, 415 Meridian St., Huntsville, AL 35801, (205) 539-2131, AL WATS 800-536-3394 *b,c,f,g,h
Warlick-Miller A/C Eng., 630 N. 20th St., Bessemer, AL 35020, (205) 424-8288, AL WATS 800-292-8123
MS WATS 800-292-4494 *b,c,f,g,h

CALIFORNIA

Billiou's, 75 No. D, Porterville, CA 93257, (209) 784-4102 *b,c,f,g,h
The Lawn Mower Shop, 1340 El Camino Real, San Carlos, CA 94070, (415) 593-4716 *a,d,f,g

COLORADO

Spitzer Ind. Prod. Co., 6601 N. Washington, Thornton, CO 80229, (303) 287-3414 *b,d,h

FLORIDA

G.L.O. Products Inc., 13201 Belcher Rd. S., Largo, FL 33543, (813) 530-9723 *a,c,h

Radco Distributors Inc., 4909 Victor St., Box 5459, Jacksonville, FL 322070459, (904) 733-7957 *a,c,f,g,h

ILLINOIS

Cox Tire & Battery, 603 N. Market, Marion, IL 62959, (618) 993-2607
IL WATS 800-642-4351 *a,c,f,g,h

Garmoe Distr. Inc., 2620 N. Mannheim Road, Franklin Park, IL 60131, (312) 455-3588 *a,c,f,g,h

Small Engine Parts, 3515 Auburn St., Rockford, IL 61103, (815) 964-1754 *b,c,f,g,h

INDIANA

Thompson Sales & Service, 2400 W. Ridge Road, Gary, IN 46408, (219) 980-3282 *a,b,c,f,g,h

IOWA

Bruce Engine, 1829 N.W. 86th, Des Moines, IA 50322, (515) 278-5151 *a,c,f,g,h

KANSAS

Colladay Hdwe. Co., 201 N. Plum, Box 766, Hutchinson, KS 67501, (316) 663-4477 *a,c

KENTUCKY

Auto-Electric Inc., 715 W. Hwy 80, Box 671, Somerset, KY 42501, (606) 679-1171 *c,f,g,h

Cayce Mill Supply Co., 1st & Douglas St., Hopkinsville, KY 42240, (502) 886-3335 *f,g,i

Ellingsworth Auto Electric, 1003-08 E. Broadway, Louisville, KY 40204 (Serving Southern Indiana), (502) 585-5055, KY WATS (800) 722-5061 *b,c,f,g,h

LOUISIANA

United Engine Service, Inc., 11923 Cloverland Ave., Baton Rouge, LA 70809, (504) 291-2622 *a,d,f,g,h

MARYLAND

Center Supply Co., 6867 New Hampshire Ave., Takoma Park, MD 20912, (301) 270-1690 *b,c,f,g,h

Kunkel Service Co., 6252 Frankford Ave., Baltimore, MD 21206, (301) 377-4008, MD WATS 800-492-8886 *b,c,f,g,h

MASSACHUSETTS

Morton B. Collins Co., 300 Birnie Ave., Box 70058, Springfield, MA 01107, (413) 732-7449 *a,c,g,h

Crandall-Hicks Co., 250 Eliot St., Ashland, MA 01721, (617) 881-6122 *a,d

MICHIGAN

Air Cooled Engine Div., 615 First St., Menominee, MI 49858, (906) 863-8011, MI WATS (906 area only) 800-562-4825 *a,c,f,g,h

The Factory Branch, 440 E. Prospect, Jackson, MI 49203, (517) 783-3201 *b,c,f,g,h

MINNESOTA

Northern Automotive Co., 1401 W. Broadway, Minneapolis, MN 55411, (612) 522-6656 *a,c,f,g,h

MISSISSIPPI see Bessemer, Alabama

MISSOURI

Gunther's Service & Supply, 7320 Wornall Road, Kansas City, MO 64114, (816) 523-1952 *a,f,g,h

Wilson Engine & Parts Inc., 4159 Shoreline Drive., Jct. I-70 & 270, Earth City, MO 63045, (314) 739-1313, MO WATS 800-392-4063, WATS (outside MO only) 800-367-2787 *a,b,d,f,g,h

NEW JERSEY

Power Distributors, Inc., 102 Mayfield Ave., Edison, NJ 08837, (201) 225-4922 *i

NEW YORK

Loegler & Ladd Inc., 3950 Broadway, Box 214, Buffalo, NY 14225, (716) 684-0600 *a,c

Stiefvater Distr. Inc., Clinton Road, Route 12B, New Hartford, NY 13413, (315) 853-5581 *a,c,f,g,h

NORTH CAROLINA

Carswell Distr. Co., 3750 N. Liberty St., Box 4193, Winston-Salem, NC 27105, (919) 767-7700 *g,i

Dixie Sales Co., Inc., 335 N. Green, Box 1408, Greensboro, NC 27402, (919) 274-0490, NC WATS 800-632-1276 *b,c,f,g,h

OHIO

American Power Distr., 2430 Tremainsville Rd., Box 5815, Toledo, OH 43613, (419) 475-7261 *f,g,h

Small Engine Distr., 5250 N. Dixie, Box 1481, Dayton, OH 45414, (513) 278-8241 *b,f,g,h

OKLAHOMA

Albro's, 2921 W. Hefner Rd., Oklahoma City, OK 73120, (405) 751-1711 *a,c,f,g,h

PENNSYLVANIA

Bluemont Co., 11101 Frankstown Road, Pittsburg, PA 15235, (412) 242-2522 *a,b,c,f,g,h

Scranton Auto Ignition, 1133 Wyoming Ave., Scranton, PA 18509, (717) 342-8133 *b,c,f,g,h

SOUTH CAROLINA

Magneto & Elect. Service, 103 Assembly St., Columbia, SC 29201, (803) 771-4044, SC WATS 800-922-1118 *a,c,f,g,h

TENNESSEE

American Sales & Serv., 3035 Bellbrook Dr., Memphis, TN 38116, (901) 332-2210 *a,d,f,g,h

Chilton A/C Engines, 319 4th Ave. S., Box 15806, Nashville, TN 37201, (615) 254-1634 *b,c,f,g,h

Ace Distr., Inc., 2103 E. Magnolia Ave., Box 3587, Knoxville, TN 37917, (615) 524-5359, TN WATS 800-332-9904 *a,c,f,g,h

TEXAS

Marr Bros. Inc., 423 E. Jefferson, Dallas, TX 75203, (214) 948-7387 *a,c,f,g,h

Midland Small Engine Sales, 106 Carlton, Box 4215, Midland, TX 79704, (915) 682-1409 *b,f,g,h

VIRGINIA

Norva Small Engines, 8120 E. Wellington Rd., Manassas, VA 22110, (703) 369-3387 *a,c,f,g,h

RBI Corporation, 101 Cedar Ridge Rd., Lakeridge Park, Ashland, VA 23005, (804) 798-1535 *a,c,f,g,h

WASHINGTON

Pacific A/C Engine Inc., 4030 1st Ave. S., Box 84783, Terminal Annex, Seattle, WA 98124, (206) 682-4677 *a,c,f,g,h

WISCONSIN

Reliable Hdwe., 8010 N. 76th St., Milwaukee, WI 53223, (414) 355-2900 *b,c,f,g,h

Wiggert Brothers, 3rd & Jay, Box 1267, La Crosse, WI 54601, (608) 784-4790 *a,b,c,f,g,h

CANADA

Suntester Equipment Ltd., 5466 Timberlea Blvd., Mississauga, Ontario, Canada L4W 2T7, (416) 624-6200 *g,i

Yetman's Ltd., 949 Jarvis Ave., Winnipeg, Manitoba, Canada R2X 0A1, (204) 586-8046, WATS (Manitoba & Sask.) 800-665-8623 *b,c,f,g

Revised 4/2/86

(*) General Information Codes:

- (a) Advance Payment Preferred
- (b) Accepts Credit Cards
- (c) C.O.D. okay
- (d) No. C.O.D.
- (e) C.O.D. only
- (f) Briggs & Stratton dealer or distributor
- (g) Tecumseh/Peerless dealer or distr.
- (h) Foote dealer or distributor
- (i) Dealer sales only, contact for closest dealer.