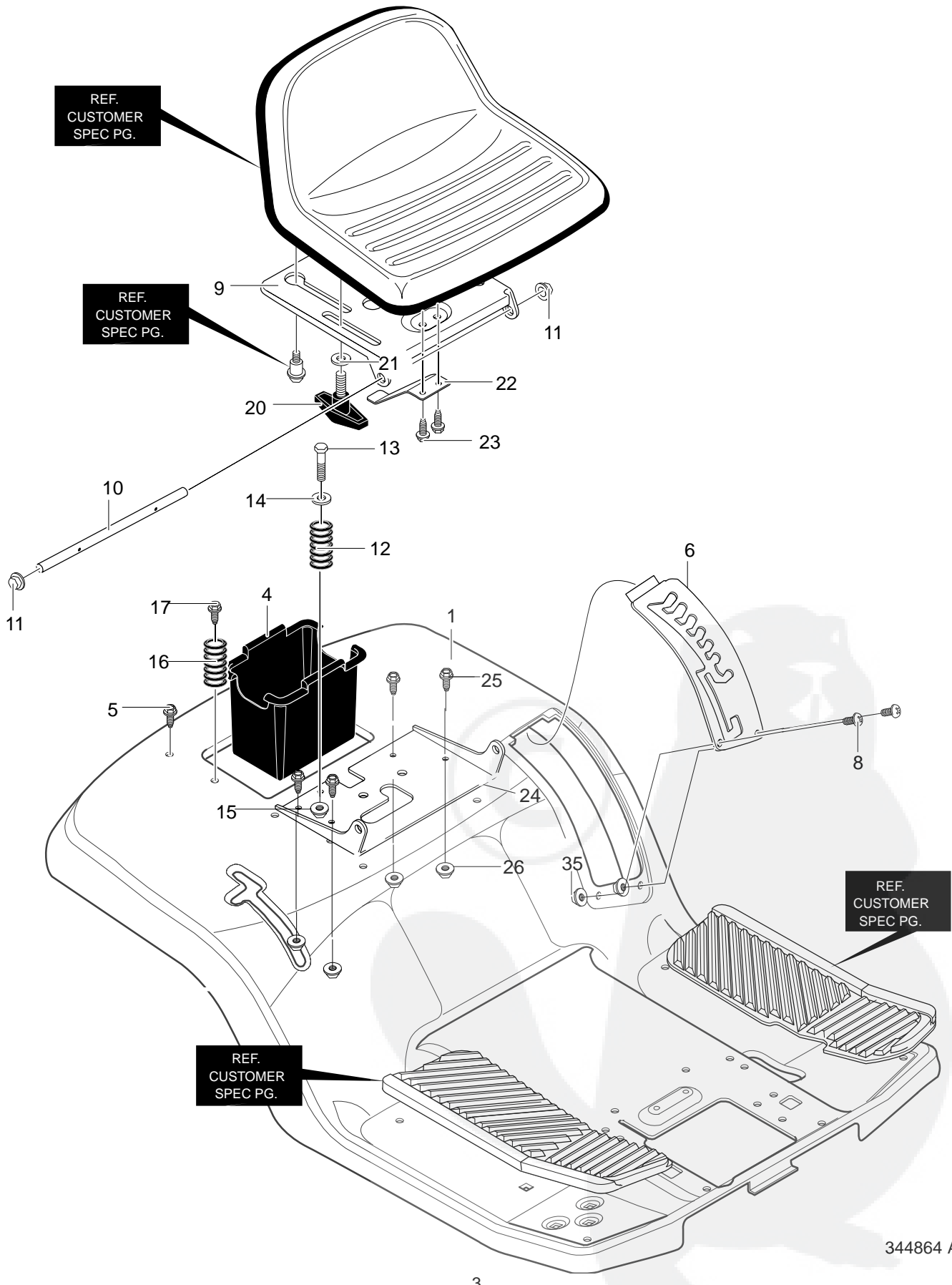


MODEL 38516x53A

REPAIR PARTS CHASSIS & HOOD ASSEMBLY

Key No.	Description	Part No.	Key No.	Description	Part No.
1	BRACKET, RIGHT GRILLE	690543-853	11	SCREW	711606
2	BRACKET, LEFT GRILLE	690544-853	13	HOOD	94972-819
3	SCREW	711606	14	ASSEMBLY, GRILLE	92367
4	DASH	94842	15	SCREW	711679
5	SCREW	711629	16	ROD, HOOD PIVOT	690093
6	BEARING	94214	17	PIN, HAIR	711676
7	SCREW	711762	18	BELLOWS, STEERING	054789
8	PLATE, DASH PANEL	94211-819	20	ACCESS PANEL	93007-819
9	SCREW	711629	21	SCREW	711629
19	WASHER	712063	22	PAD, ADHESIVE	318197
10	LOWER CONSOLE SUPPORT	690104-819	—	BOOK, INSTRUCTION	F-000800J



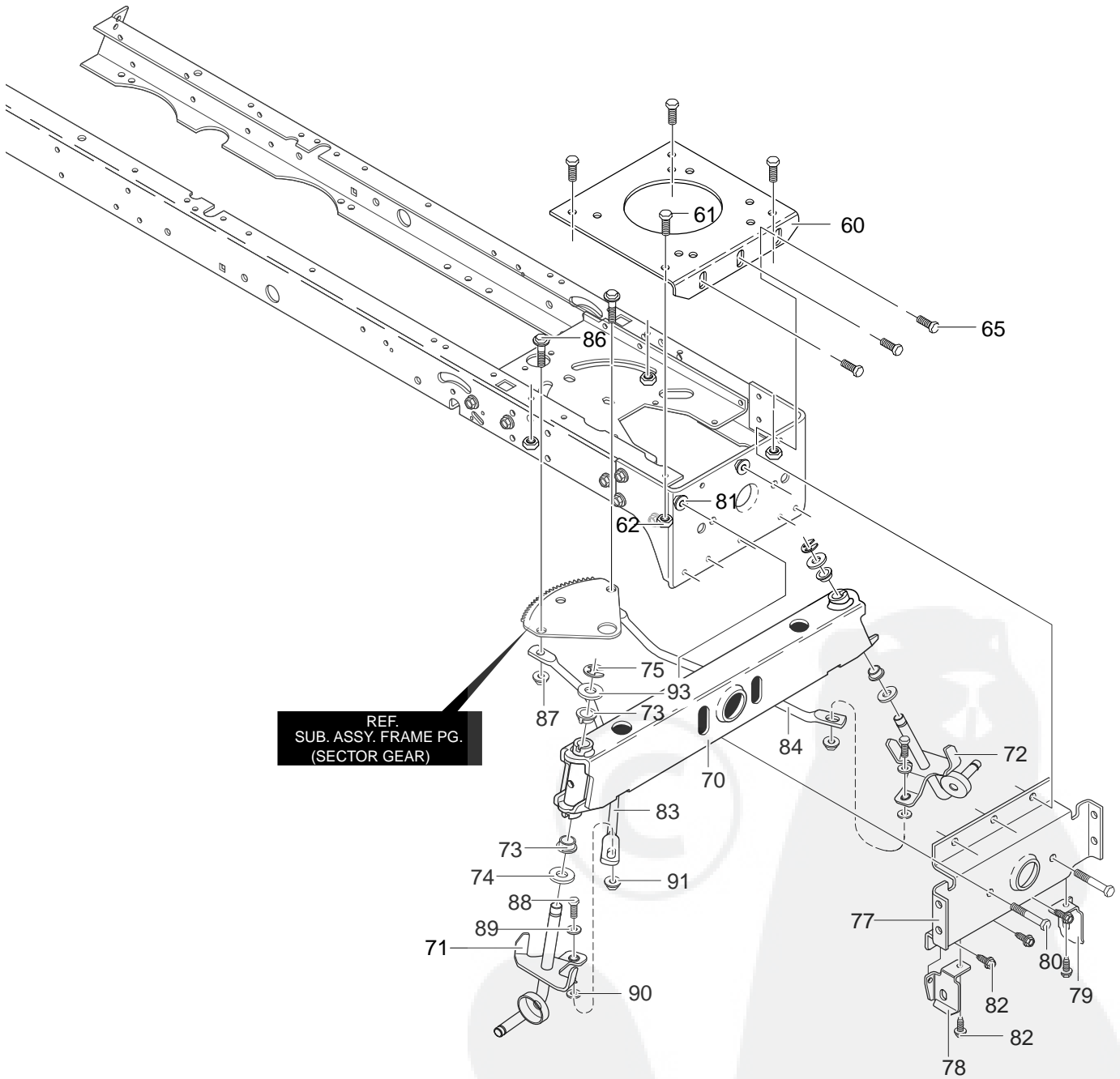


MODEL 38516x53A

REPAIR PARTS REAR CHASSIS ASSEMBLY

Key No.	Description	Part No.	Key No.	Description	Part No.
1	Seat Deck, Small	95249-819	15	Nut, 1/4-20	711643
4	Battery Container	690424	16	Comp. Spring	710109-821
5	Screw, 1/4-20x.63	711642	17	Screw, 5/16-18x.75	711606
6	Plate, Lift Detent	94829-821	20	Wing Bolt 5/16-18x.50	711747
8	Screw, 10-24x.500	711629	21	Flat washer	711644
9	Seat Support	94154-819	22	Spring-Leaf	94057
10	Hing,e Seat Pivot	95294	23	Screw, 1/4-20x.50	711592
11	Push Cap Nut	711627	24	Pivot Seat Bracket	94153-819
12	Comp. Spring	710136-821	25	Screw, 5/16-18x.75	711606
13	Shoulder Bolt, 1/4-20	711610	26	Nut, 5/16-18 Wdfllk	711634
14	Washer Cup	95293	35	Nut, #10-24 Locknut	711842





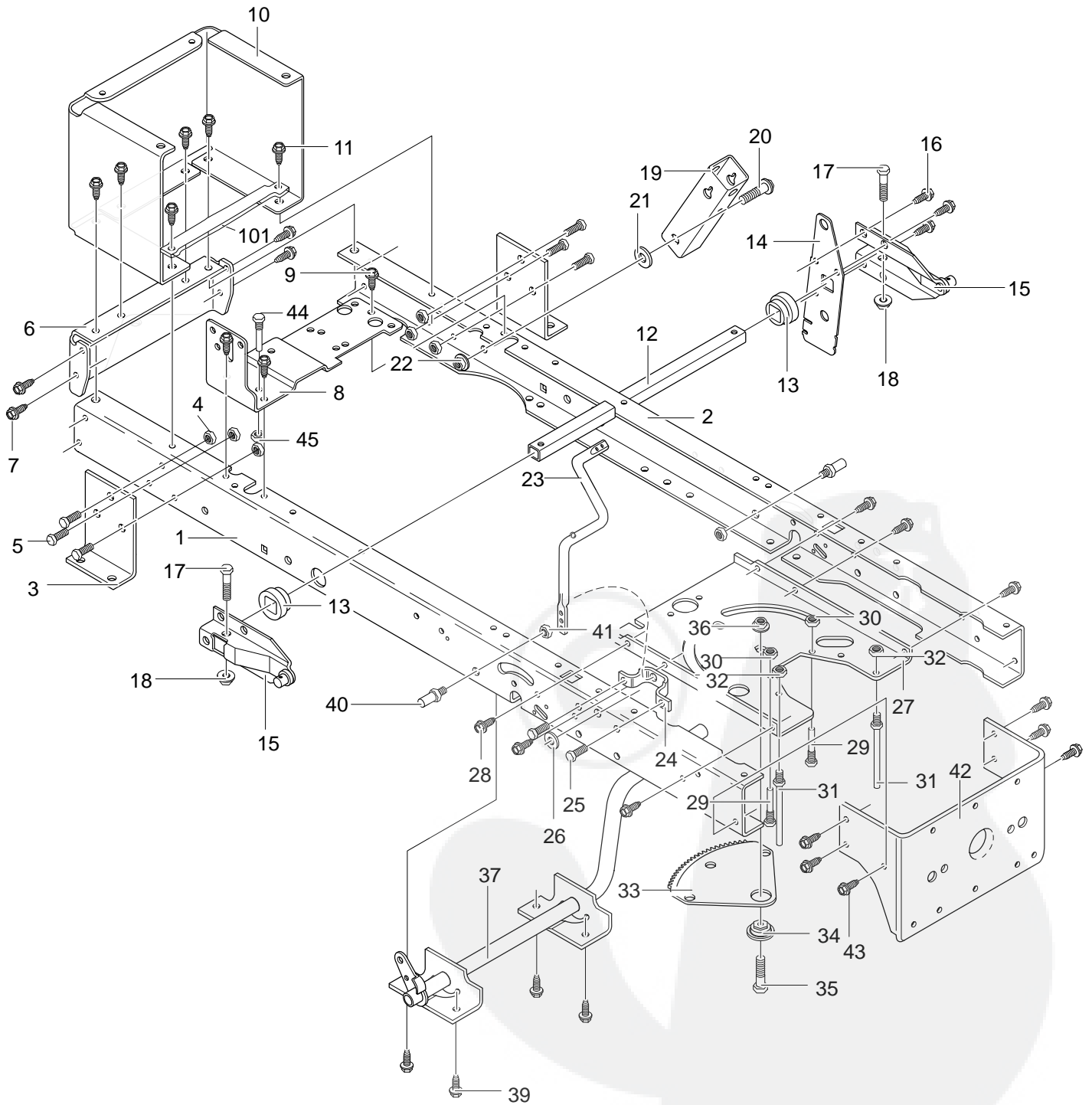
MODEL 38516x53A

REPAIR PARTS FRAME ASSEMBLY

Key No.	Description	Part No.	Key No.	Description	Part No.
1	Frame, Rail RH	95110	24	Bracket, Bell Crank	94005
2	Frame, Rail LH	95111	25	Screw, .312-18x.75	26x249
3	Bracket, Transaxle	94008	26	Flat washer	120395
4	Nut, .32-18 Flange Ctrlk	015x88	27	Steering Plate	1001024
5	Screw, .312-18x.75	26x249	28	Screw, .312-18x.75	26x249
6	Plate	1001002	29	Screw Guide 5/16-18	93349
7	Screw, .312-18x.75	26x249	30	Nut, .32-18 Flangelock	015x79
8	Bracket, Shift RH	690166	31	Screw Guide	94066
9	Screw, .312-18x.75	26x249	32	Nut, .32-18 Flangelock	015x79
10	Rear Panel	690434	33	Gear Sector	94121
11	Screw, .312-18x.75	26x249	34	Bearing, Sector Gear	94123
12	Lifter Tube	94063	35	Screw, .312-18x1.00	001x84
13	Bushing, Lift Arm	94065	36	Nut, 5/16 Hkeys	15x113
14	Plate, Lift Arm	94030	37	Asm. Brake Pedal	95075
15	Lever, Lift Arm	94180	39	Screw, .312-18x.75	26x249
16	Screw .31x.50	026x49	40	Pin, Threaded Shoulder	94067
17	Screw, .5/16-21x1.25	001x74	41	Nut, 3/8-16 Hwdfl Whiz	45171
18	Nut, .32-24 Flangelock	15x118	42	Bracket, Hanger Rear	94013
19	Pivot Bracket	94015	43	Screw, .312-18x.75	26x249
20	Bolt, 3/8 HSSH	009x53	44	Screw Guide 5/16-18	93349
21	Flat washer	17x191	45	Nut, .32-18 Flangelock	015x79
22	Nut, .38-16 Flange Ctrlk	015x84	93	Flat washer	17x195
23	PTO Crank	690394	101	Bracket, Battery Support	690482

MODEL 38516x53A

REPAIR PARTS FRAME ASSEMBLY

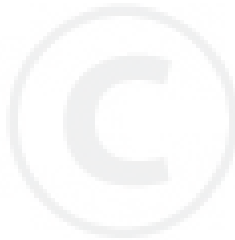


345378

MODEL 38516x53A

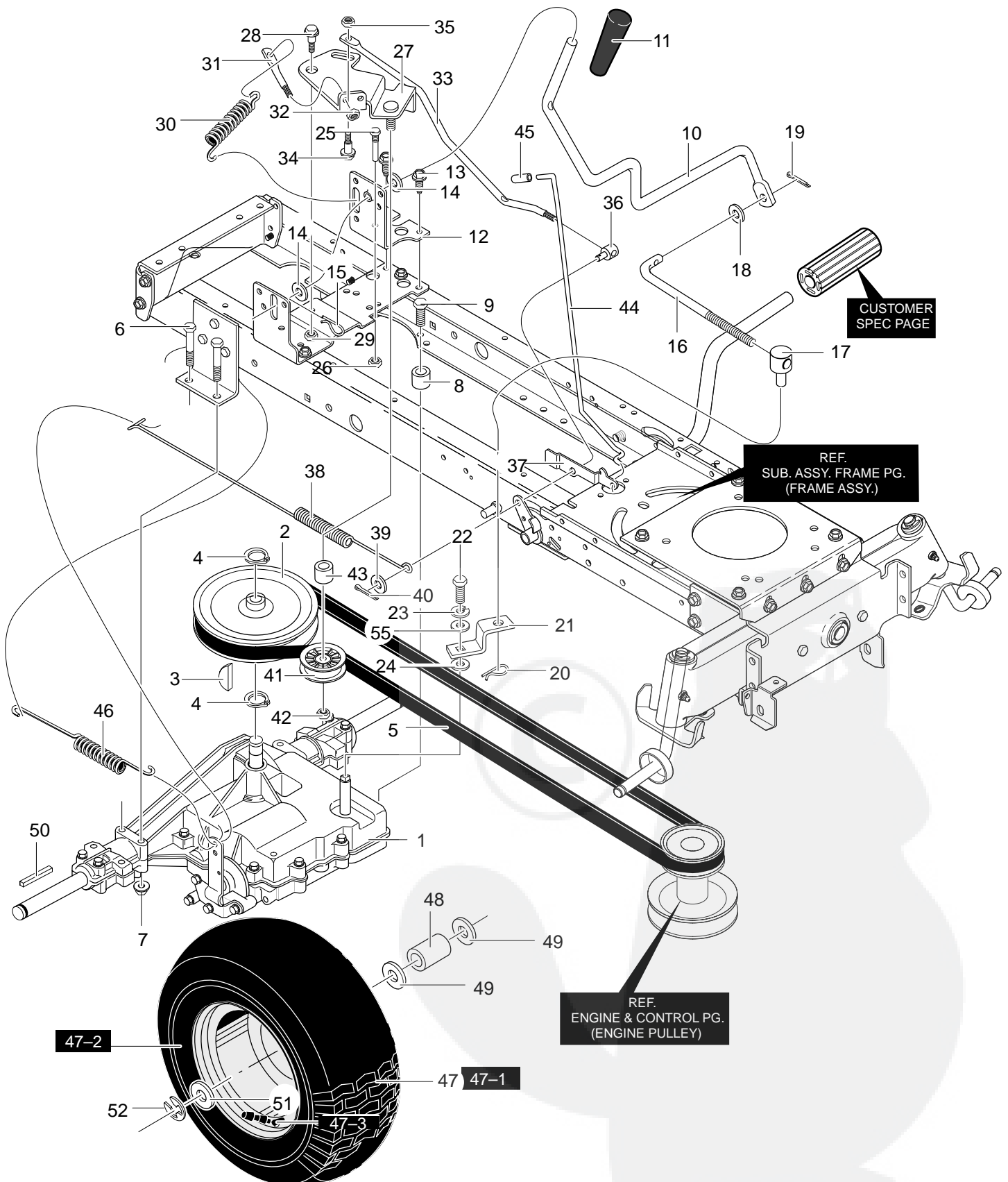
REPAIR PARTS FRAME ASSEMBLY

Key No.	Description	Part No.	Key No.	Description	Part No.
60	Engine Plate	94006	79	Hanger, Deck LH	94027
61	Screw, .312-18x.75	26x249	80	Screw, 5/16-24X2.75	01x146
62	Nut, 5/16-18	015X88	81	Nut, .32-24 Flangelock	15x118
65	Screw, .312-18x.75	26x249	82	Screw, .5/16-24X2.75	26x249
70	Axle, Cast Machined	690210	83	Drag Link, RH	95328
71	Spindle, RH	94178	84	Drag Link, LH	95329
72	Spindle, LH	94179	86	Shoulder Bolt	009x57
73	Bearing, Spindle	690150	87	Nut, 3/8-16	015x84
74	Washer, .766IDx1.62ID	17x113	88	Screw, 3/8-16x1.50	01x111
75	E-Ring	0011x3	89	Flatwasher	17x104
77	Hanger, Axle	94007	90	Flatwasher	017x53
78	Hanger, Deck RH	94026	91	Nut, 3/8-16	015x84



MODEL 38516x53A

REPAIR PARTS MOTION DRIVE

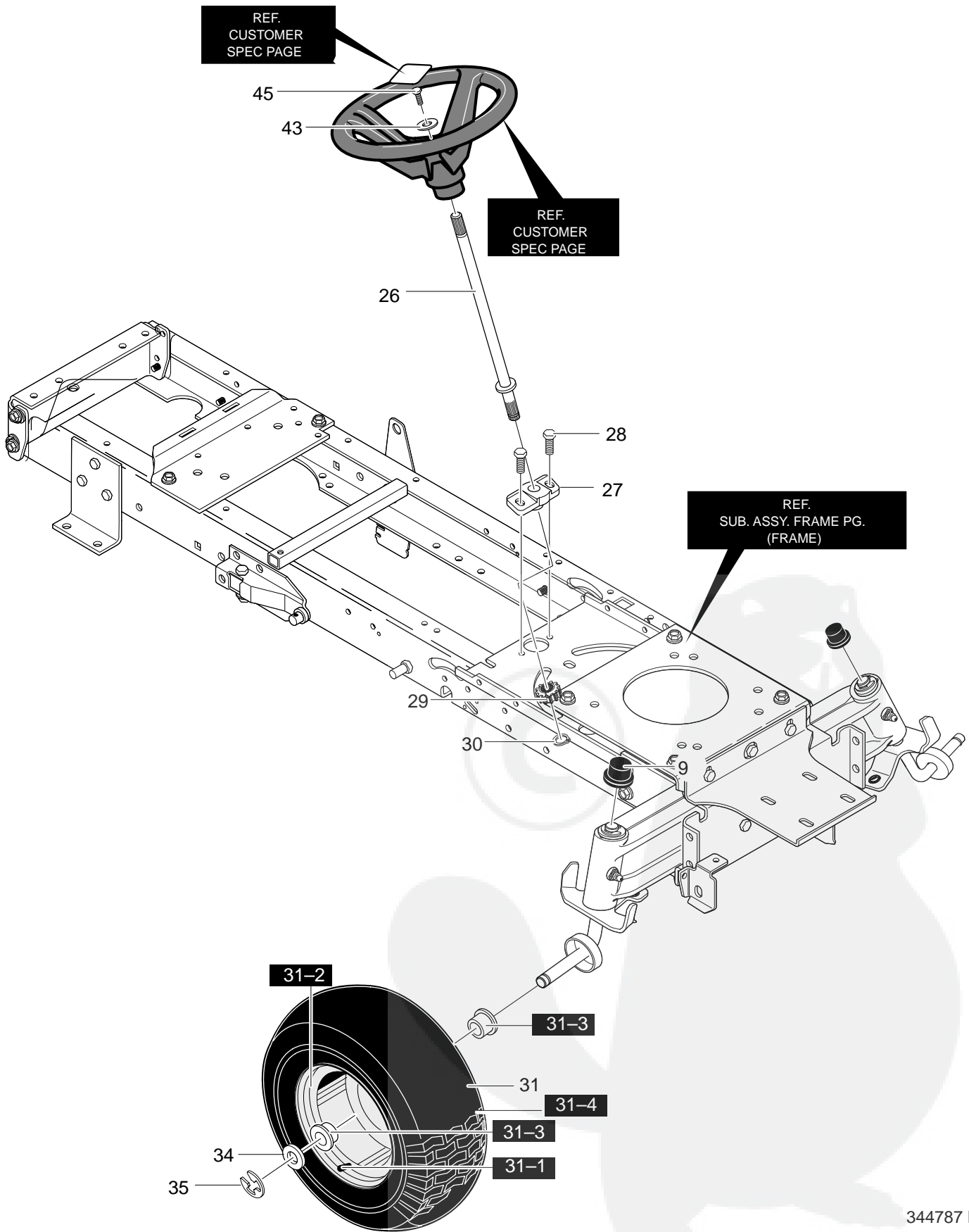


MODEL 38516x53A

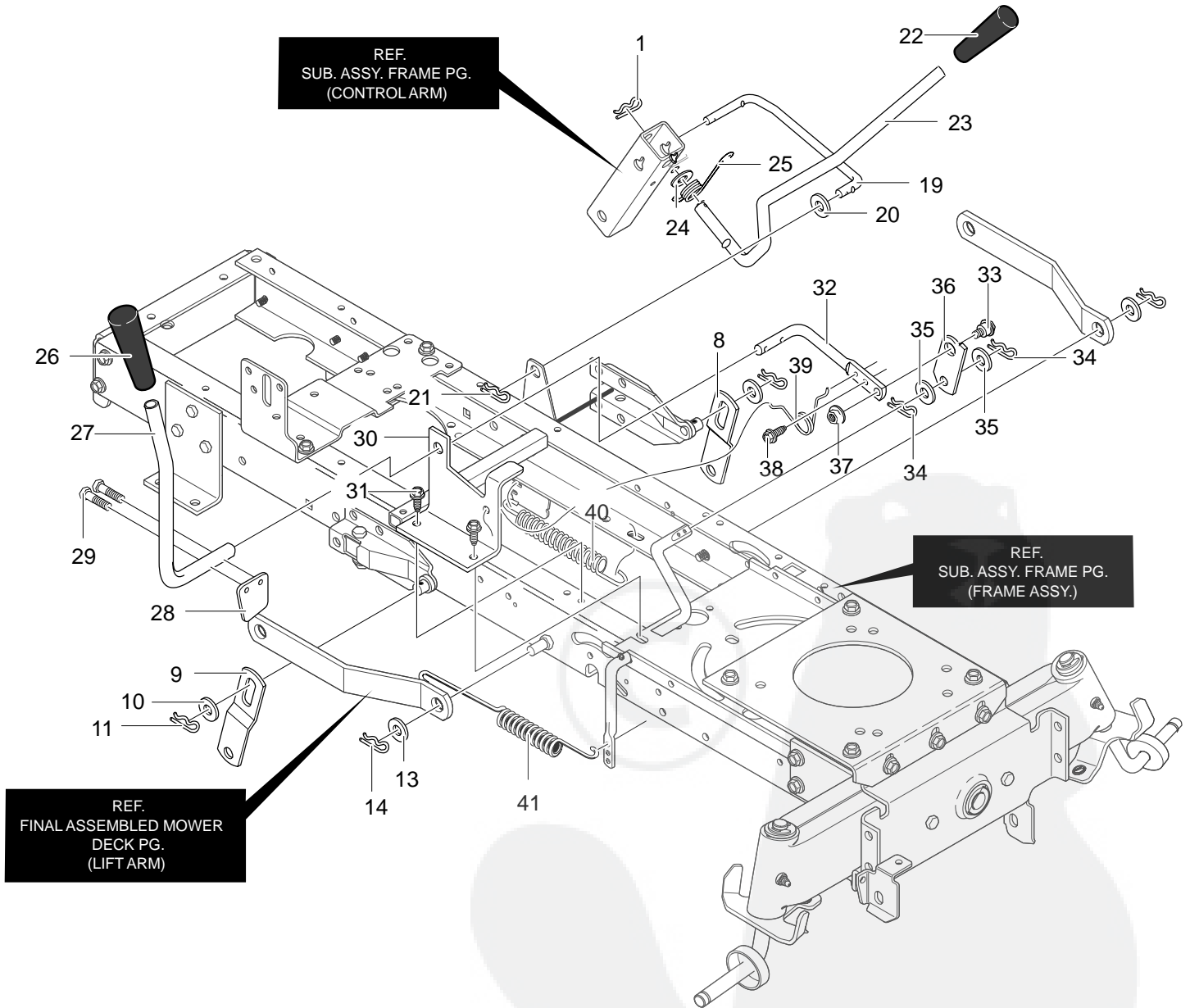
REPAIR PARTS MOTION DRIVE

Key No.	Description	Part No.	Key No.	Description	Part No.
1	Transaxle, MST205	*	30	Spring, Extension	710334
2	Pulley, 8.81 Dia	95094	31	Stud-Spring	95288
3	Woodruff Key #9	20697	32	Nut, 5/16-18 Hexwdfllk Whiz	710026
4	Ring-Snap	0011x7	33	Rod, Clutch Switch	95287
5	Belt, V	710341	34	Bolt, HSH 1/4-20x.5	711646
6	Screw, 5/16-18x2.50	711669	35	Nut, 1/4-20 Wdfllk	711643
7	Nut, 5/16-18 Wdfllk	711634	36	Nut, Adjusting	711596
8	Spacer, Transaxle	94132	37	Latch, Park Brake	95290
9	Screw, 5.16-18x2.00	711605	38	Extension Spring	710333
10	Shifter Lever	690157	39	Flat washer	711623
11	Grip	94929	40	Cotter Pin	71081
12	Bracket, Shift Pivot	94034-821	41	Idler Pulley	690409
13	Screw, 5/16-18x.75	711606	42	Nut, 3/8-16 Hwdflk Mack	711920
14	Flat washer	711615	43	Spacer 1/2 to 17MM	690369
15	Hair Pin	711676	44	Park Brake Rod	690046
16	Link, Shift	95289	45	Grip	91079
17	Adjusting Nut	711591	46	Spring, Tension	710353
18	Flat washer	711623	47	Tire & Rim	338169
19	Cotter Pin	71081	47-1	Valve Stem	338512
20	Hair Pin	711682	47-2	Rim	338524
21	Yoke-Shift	95286	47-3	Tire	338548
22	Screw, 1/4-28x.75	01x145	48	Spacer .87x1.78	95274
23	Washer	710249	49	Flat washer	711648
24	Washer, .38 SQ	17x148	50	Square Key	21553
25	Screw Guide	711745	51	Flat washer	711758
26	Nut, 5/16-18 Hexwdfllk	710026	52	E Ring	0011x3
27	Assembly, Idler Arm	690173-821	55	Flat washer	710657
28	Bolt, HSH 3/8-16	711613		Hubcap	094618
29	Nut, 3/8-16 Hwdflk Mack	711622			

* Contact your nearest transaxle dealer for parts and service.
For information on Replacement Parts see the Central Parts Distributor in your area.



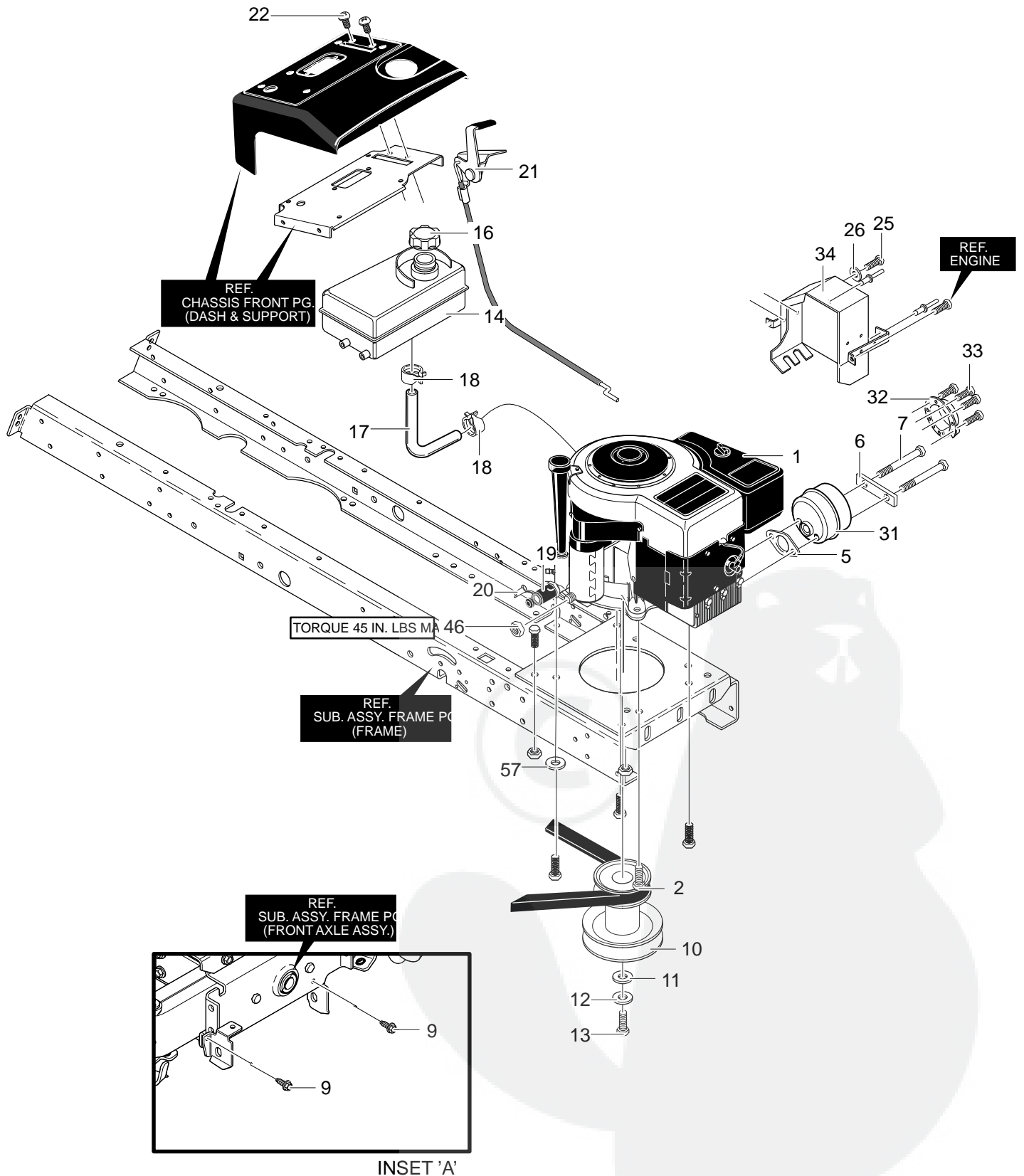
Key No.	Description	Part No.
9	Dust Hub Cap	094618
26	Shaft, Steering	94520
27	Bearing—Lower	94124
28	Screw, 5/16—18x.75	711606
29	Gear, Pinion	94122
30	Retaining Ring	710102
31	Tire & Rim	690049
31-1	Valve Stem	338512
31-2	Rim	338517
31-3	Bearing	338513
31-4	Tire	338516
34	Flatwasher	711758
35	E-Ring	0011X3
43	Flat washer	711720
45	Screw 1/4—20x.75	711719
—	Hub Cap	094618



MODEL 38516x53A

REPAIR PARTS MOWER SUSPENSION ASSEMBLY

Key No.	Description	Part No.	Key No.	Description	Part No.
1	Hair Pin	711676	27	PTO Handle	690126
8	Link, Lift LH	94611-821	28	Paddle Switch	95284
9	Link, Lift RH	94053-821	29	Screw, Thd Form	711621
10	Flat washer	711617	30	Bracket, PTO	94018-821
11	Hair Pin	711676	31	Screw, 5/16-18x.50	26x277
13	Flat washer	711617	32	Lever, PTO	95283
14	Hair Pin	711676	33	Bolt, Shoulder 3/8-16	711613
19	Link, Lift Handle	95285	34	Hair Pin	711659
20	Flat washer	711617	35	Washer, Flat	711615
21	Hair Pin	711676	36	Link PTO	95282
22	Grip	92697	37	Nut, 3/8-16	711622
23	Handle, Lift	690532	38	Screw, 5/16-18x.75	711606
24	Washer, Flat	711616	39	Torsion Spring	710141
25	Torsion Spring	710111	40	Spacer	165x117
26	Grip	92698	41	Spring, Extension	165x118



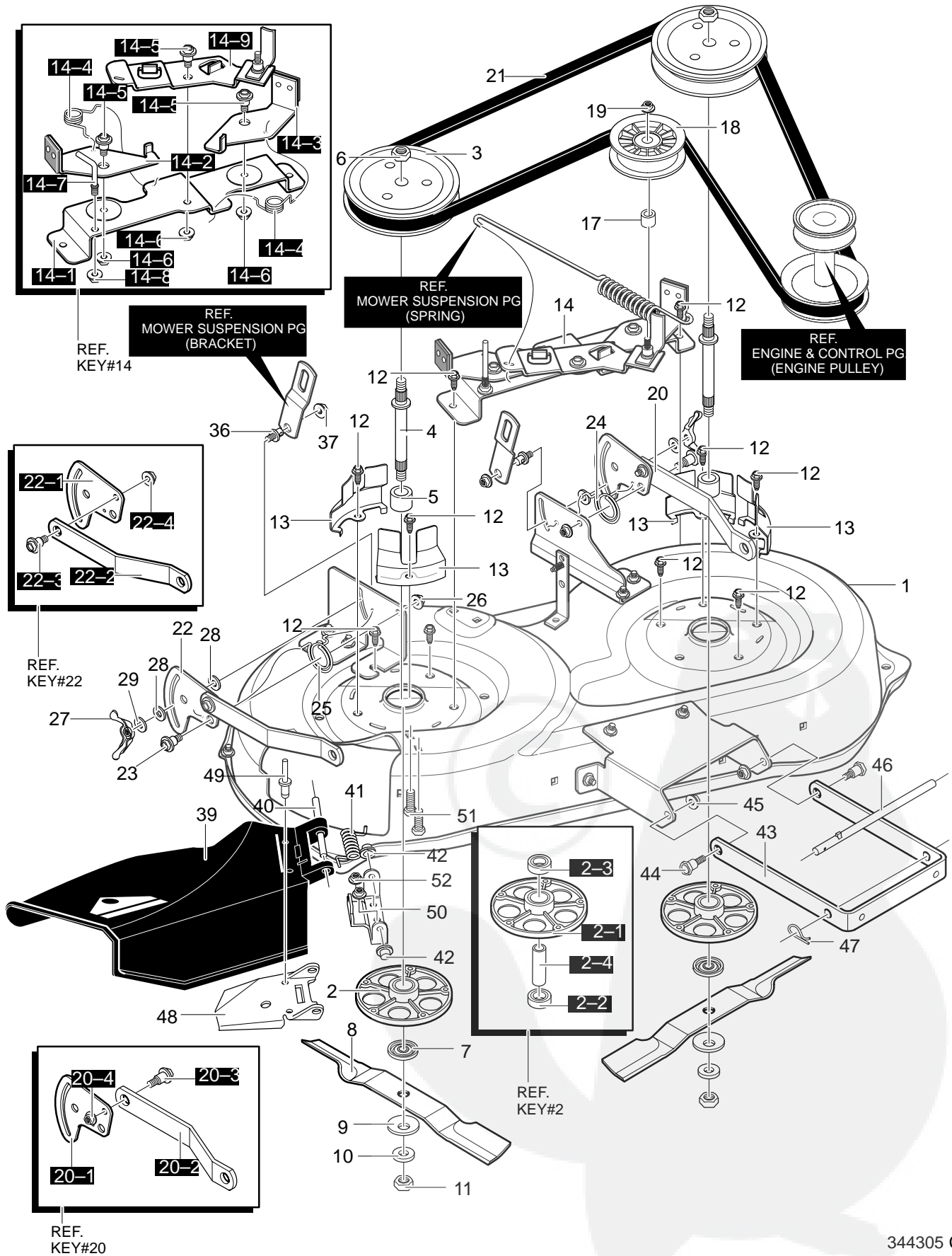
MODEL 38516x53A

REPAIR PARTS ENGINE AND CONTROL ASSEMBLY

Key No.	Description	Part No.	Key No.	Description	Part No.
1	ENGINE	—	19	OIL DRAIN VALVE ASSEMBLY	325547
2	BOLT	0025X7	20	CAP, OIL DRAIN VALVE	327422
5	GASKET, MUFFLER	91309	21	CONTROL, THROTTLE	94361
6	BRACKET, LOCK	92378	22	SCREW	711637
7	SCREW	712065	25	SCREW	711592
9	SCREW	711606	26	WASHER	710249
10	PULLEY, STACK	690448	31	MUFFLER	91271
12	WASHER	120383	32	DEFLECTOR, EXHAUST	23740
13	BOLT	1X169	33	SCREW	712070
14	TANK, FUEL	92342	34	SHIELD, HEAT	94877
16	FUEL CAP	92317	46	NUT	711601
17	TUBING, GAS	47452	56	WASHER	17X170
18	CLAMP, FUEL LINE	336890	57	WASHER	711668

MODEL 38516x53A

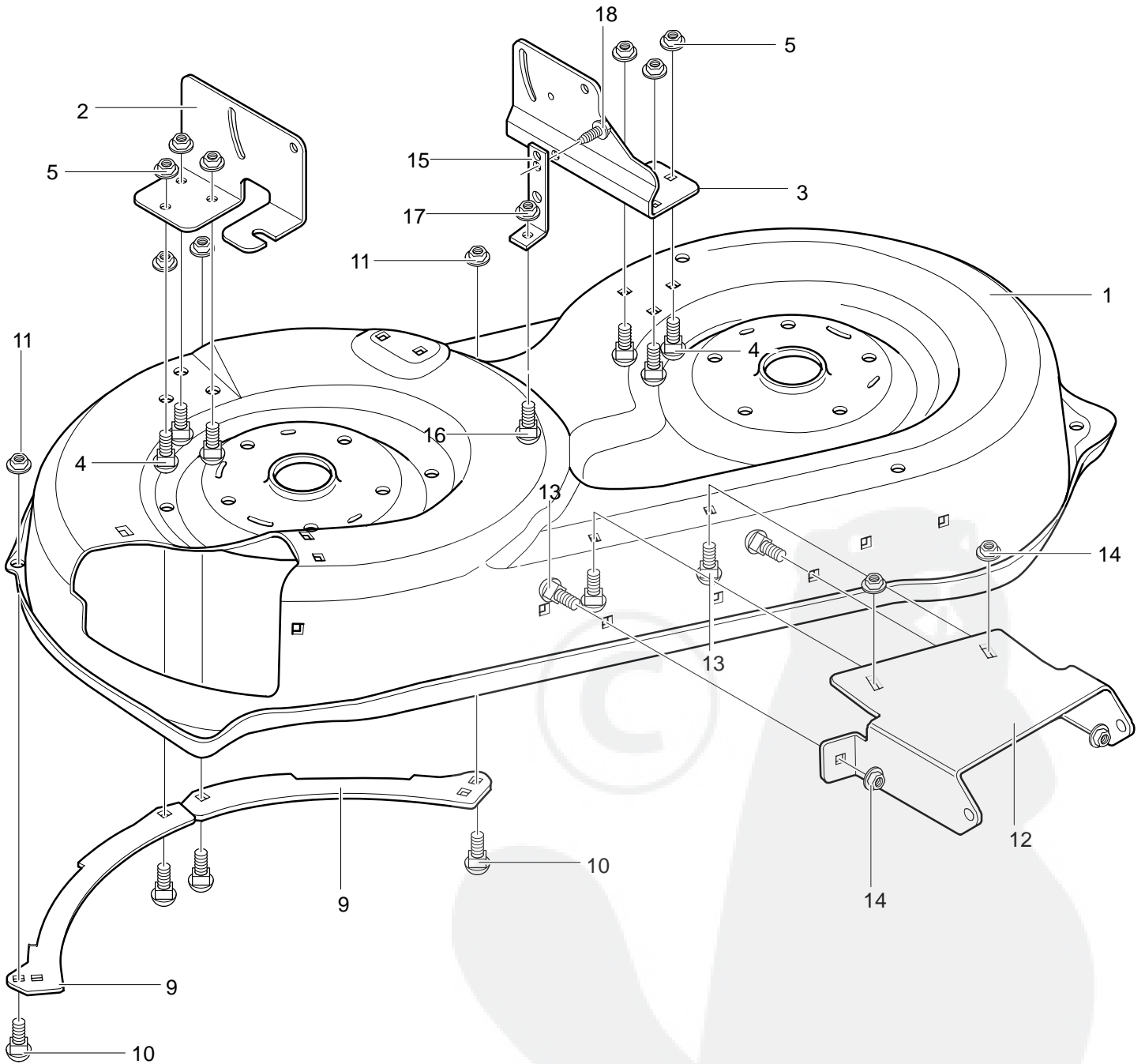
REPAIR PARTS DECK ASSEMBLY



MODEL 38516x53A

REPAIR PARTS DECK ASSEMBLY

Key No.	Description	Part No.	Key No.	Description	Part No.
1	Mower Deck Assembly	94061-821	20-2	Suspension Bracket Rear	94055
2	Jackshaft Assembly	690222	20-3	Bolt, Shoulder	710095
2-1	Jackshaft Housing	94388	20-4	Nut, 3/8-16	710140
2-2	Bearing, Upper	92281	21	Belt, Barback CI 84.24	710193
2-3	Bearing, Lower	92282	22	Assy, Plate,Rear Sus Bkt RH	690158-821
2-4	Spacer	90904	22-1	Plate-Suspension	94128
3	Pulley, Quill	690174	22-2	Suspension Bracket Rear	94055
4	Jackshaft	94129	22-3	Bolt, Shoulder	710095
5	Spacer	94130	22-4	Nut, 3/8-16	710140
6	Nut, 9/16-18	711626	23	Bolt, Shoulder	711611
7	Adapter, Blade	1001035	24	Spring, Torsion LH	710113
8	Blade, 38 inches	94913	25	Spring, Torsion RH	710112
9	Washer	17x166	26	Nut, 3/8-16	711622
10	Flat washer	17x165	27	Wingnut, 5/16-18	711600
11	Nut, .56-18 Regular	15x100	28	Pad, Friction	94137
12	Engine Bolt 3/8x1.25	0025x7	29	Washer	711628
13	Cover, Segment Belt Guide	94051-821	36	Pin, Hanger	711595
14	Asm. Brake with Support	94691-821	37	Nut, 3/8-16	711622
14-1	Bracket, Brake Mtg	94059	39	Deflector Chute	94687
14-2	Assy, Brake RH	94047	40	Asm., Bracket Idler	95303
14-3	Assy, Brake LH	94048	41	Spring, Torsion	710194
14-4	Torsion Spring	710227	42	Nut, Push Cap	711627
14-5	Bolt, Shoulder 3/8-16	710098	43	Bracket, Frt Suspension	94058-821
14-6	Nut, 3/8-16 Mack	710140	44	Shoulder Bolt	711611
14-7	Screw-Guide	94781	45	Nut, 3/8-16 Wdfllk Mack	711622
14-8	Nut, 5/16-18 Hex	710204	46	Rod, Hanger	95295
14-9	Assy., Idler Arm	94177	47	Hair Pin	711676
17	Spacer, 1/2 to 17MM	690369	48	Deflector Support	94686-821
18	Idler Pulley	690451	49	Rivet- Semi	711624
19	Nut, 3/8-16 Hwdflk Mack	711920	50	Bracket, Chute Attach	94956-821
20	Asm., Plate Rear Sus. Brkt LH	690159-821	51	Carr. Bolt, 5/16-18x.63	711661
20-1	Plate-Suspension	94128	52	Nut, 5/16-18 Wdfllk	711634



MODEL 38516x53A

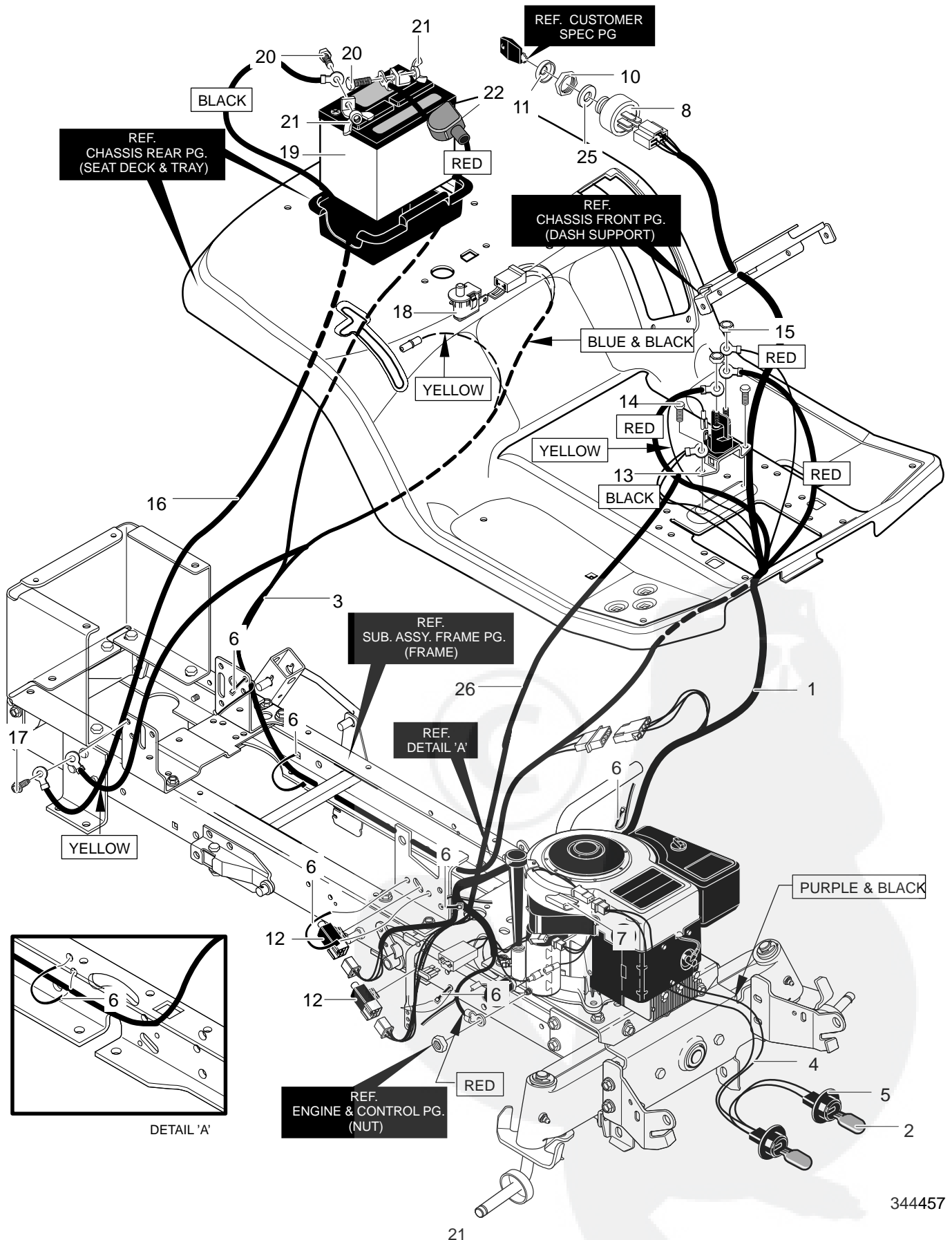
REPAIR PARTS DECK ASSEMBLY

Key No.	Description	Part No.	Key No.	Description	Part No.
1	38" Mower Housing	94060	12	Bracket, Front Deck	94062
2	Bracket, Deck Lift RH	94052	13	Bolt, .31-18x.062	002x53
3	Bracket, Deck Lift LH	94054	14	Nut, .32-18 Flangelock	015x79
4	Bolt, .31-18x.62	002x53	15	Bracket, Support	94681
5	Nut, .32-18 Flangelock	015x79	16	Bolt, .31-18x.62	002x53
9	Toeguard, Flange	91770	17	Nut, .32-18 Flangelock	015x79
10	Bolt, .31-18x.62	002x53	18	Screw, .312-18x.75	26x249
11	Nut, .32-18 Flange Centerlock	015x88			



MODEL 38516x53A

REPAIR PARTS ELECTRICAL ASSEMBLY



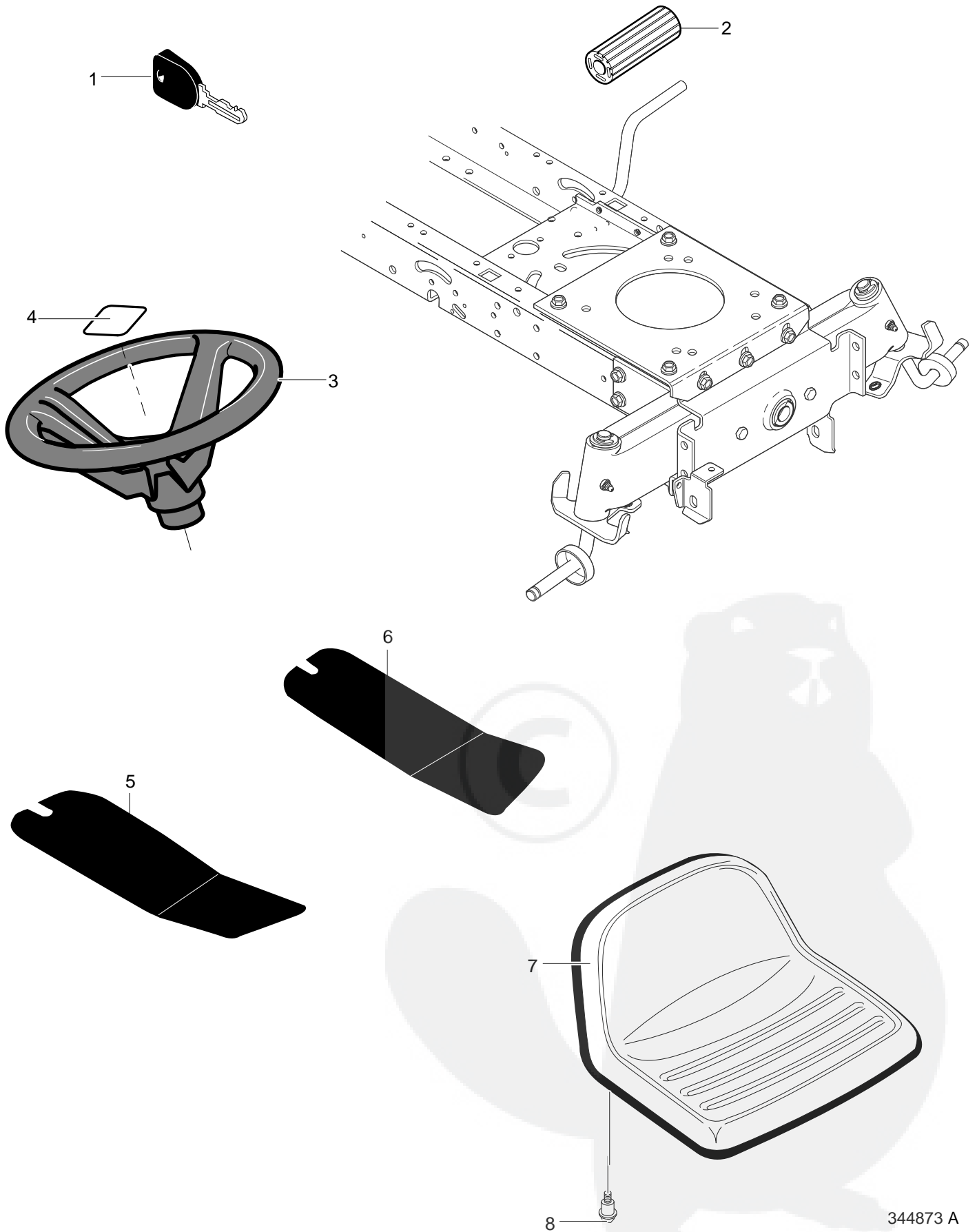
MODEL 38516x53A

REPAIR PARTS ELECTRICAL ASSEMBLY

Key No.	Description	Part No.	Key No.	Description	Part No.
1	HARNESS	250X86	13	SOLENOID	94613
2	BULB, LIGHT	90084	14	SCREW	711619
3	WIRE HARNESS, REAR	340530	15	NUT	711632
4	WIRE HARNESS, HEADLIGHTS	340513	16	WIRE, GROUND	710228
5	SOCKET, LAMP	92372	17	SCREW	711760
6	TIE, CABLE	57444	18	SWITCH, SEAT	94159
6	TIE, CABLE	57444	19	BATTERY	92739
7	WIRE CLIP, ADHESIVE	55939	20	BOLT	711680
8	SWITCH, IGNITION	92377	21	WINGNUT	711636
10	NUT	091489	22	BOOT, BATTERY	335417
11	BOOT, SWITCH	091488	25	WASHER	313683
12	SWITCH, LIMIT	94136	26	WIRE, SOLENOID	711579

MODEL 38516x53A

REPAIR PARTS CUSTOMER SPEC



Key No.	Description	Part No.
1	Ignition Key	20729
2	Cover, Pedal Brake/Clutch	21544
3	Steering Wheel	95185
4	Insert, 4-Spoke	711326
5	Footrest Pad RH	94998
6	Footrest Pad LH	94999
7	Seat	94162
8	Shoulder Bolt 5/16-18	711740

