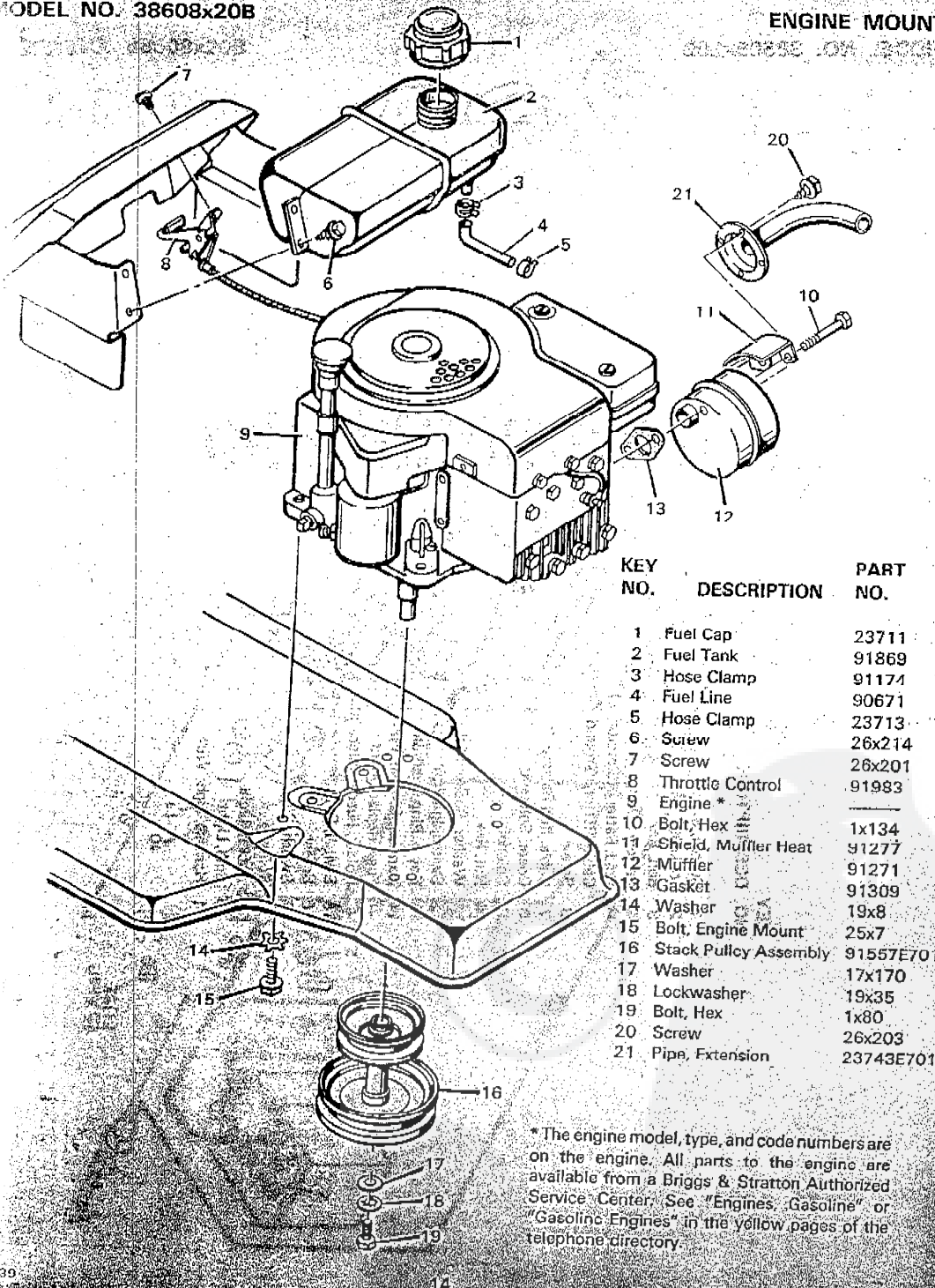


MODEL NO. 38608x20B

ENGINE MOUNT



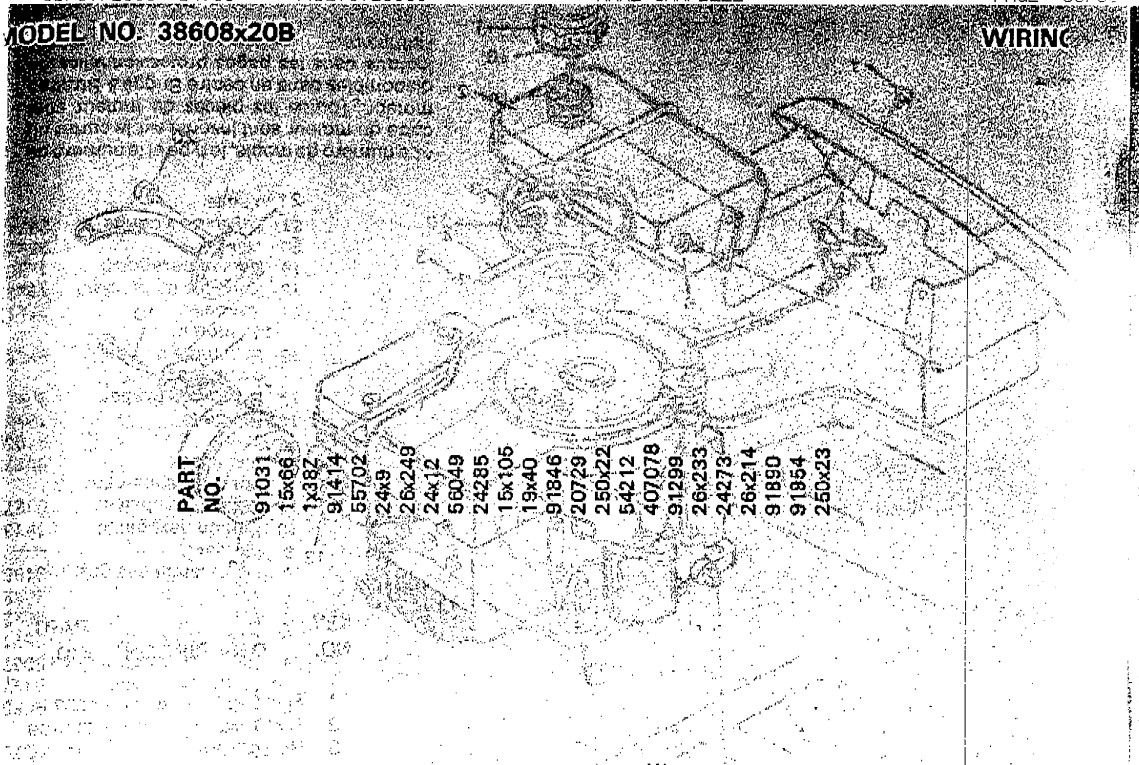
KEY NO.	DESCRIPTION	PART NO.
1	Fuel Cap	23711
2	Fuel Tank	91869
3	Hose Clamp	91174
4	Fuel Line	90671
5	Hose Clamp	23713
6	Screw	26x214
7	Screw	26x201
8	Throttle Control	91983
9	Engine *	
10	Bolt, Hex	1x134
11	Shield, Muffler Heat	91277
12	Muffler	91271
13	Gasket	91309
14	Washer	19x8
15	Bolt, Engine Mount	25x7
16	Stack Pulley Assembly	91557E701
17	Washer	17x170
18	Lockwasher	19x35
19	Bolt, Hex	1x80
20	Screw	26x203
21	Pipe, Extension	23743E701

*The engine model, type, and code numbers are on the engine. All parts to the engine are available from a Briggs & Stratton Authorized Service Center. See "Engines, Gasoline" or "Gasoline Engines" in the yellow pages of the telephone directory.

06706

MODEL NO 38608x20B

WIRING



PART NO.

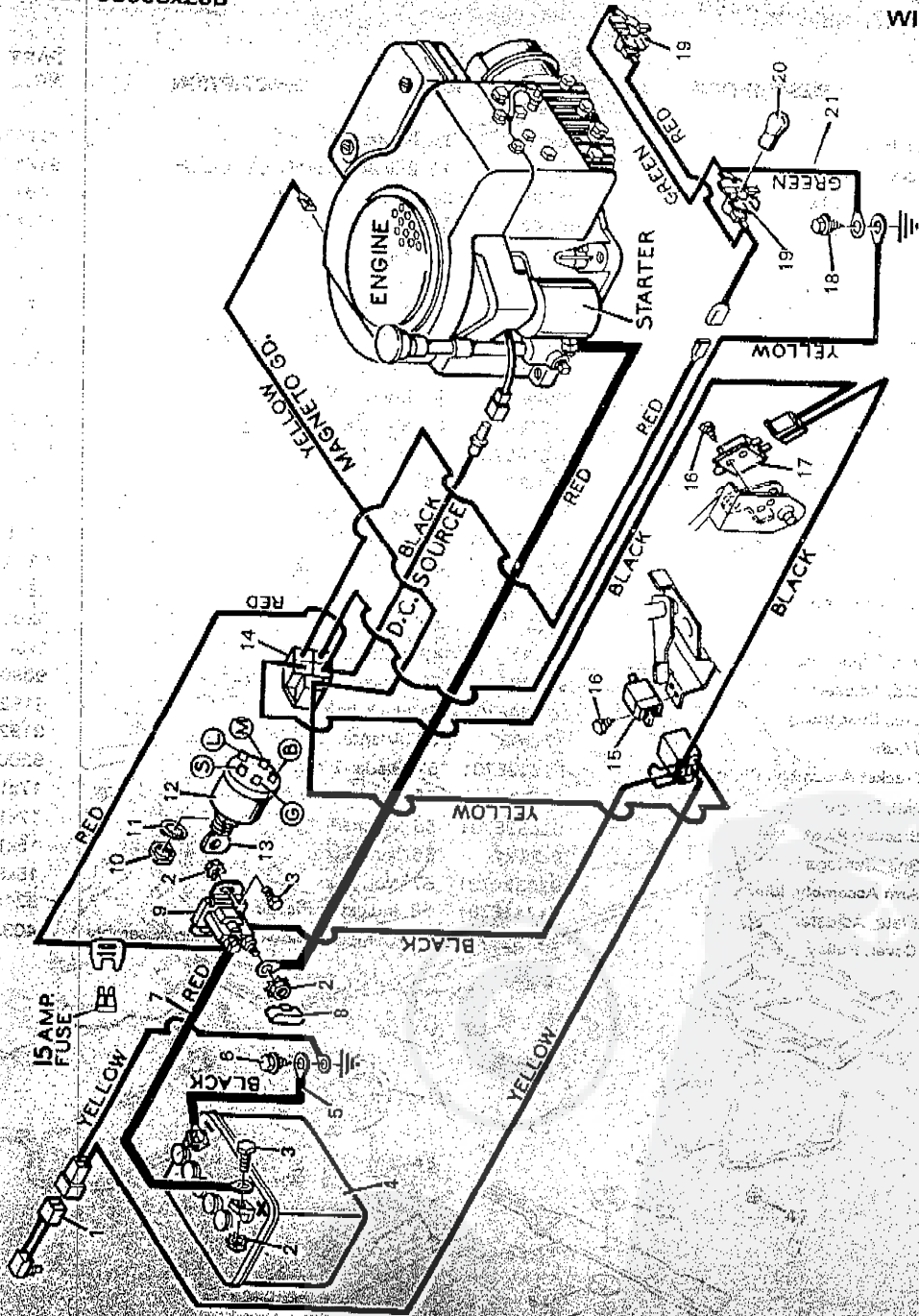
- 91031
- 15x86
- 1x382
- 91414
- 55702
- 24x9
- 26x249
- 24x12
- 56049
- 24285
- 15x105
- 19x40
- 91845
- 20729
- 250x22
- 54212
- 407078
- 91299
- 26x233
- 24273
- 26x214
- 91890
- 91954
- 250x23

KEY NO. DESCRIPTION

- 1 Switch, Seat
- 2 Locknut
- 3 Bolt, Hex
- 4 Battery 20 amp
- 5 Acid, Battery (Electrolyte)
- 6 Cable, Battery Ground
- 7 Screw
- 8 Cable, Red Battery
- 9 Cover, Solenoid
- 10 Nut, Hex
- 11 Washer, Shakeproof
- 12 Switch, Ignition
- 13 Key & Ring, Ignition
- 14 Harness, Chassis Wire
- 15 Fuse, Replacement
- 16 Holder, Fuse Replacement
- 15 Switch, PTO
- 16 Screw
- 17 Switch, Clutch
- 18 Screw
- 19 Socket, Light
- 20 Bulb, Light
- 21 Harness, Light Wire

MODEL NO. 38608x20B

WIRING



68708

MODEL NO. 38608x20B

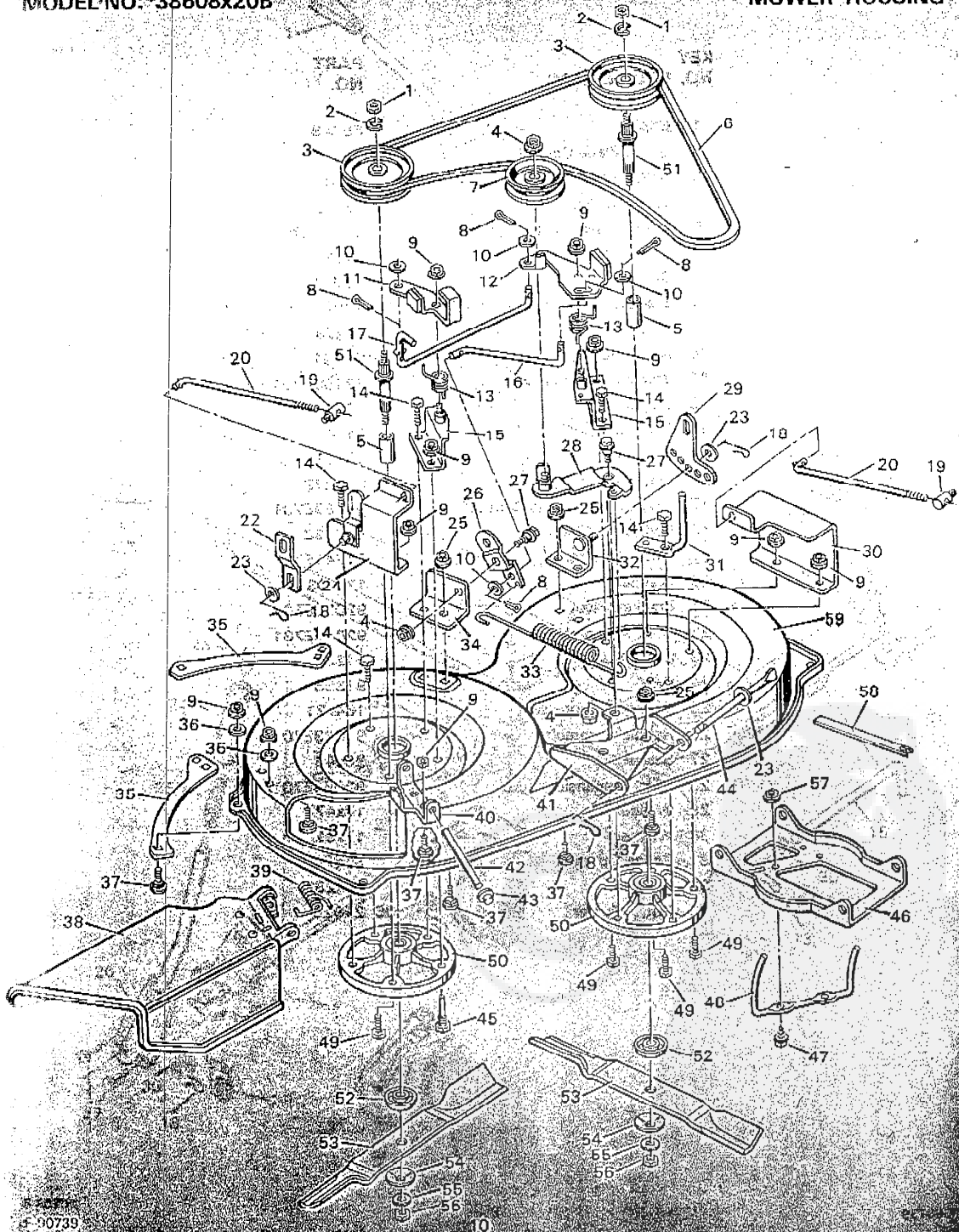
MOWER HOUSING

KEY NO.	DESCRIPTION	PART NO.	KEY NO.	DESCRIPTION	PART NO.
1	Nut, Hex	15x101	31	Guide, Belt	91797E701
2	Lockwasher	18x33	32	Bracket Assembly, Left Lifter	91813E701
3	Pulley, Jackshaft	91769	33	Spring, Extension	165x72
4	Locknut, Flange	15x84	34	Bracket, Pivot	91743E701
5	Spacer	91903	35	Plate	91770E701
6	Belt, Blade Drive	37x63	36	Washer	17x57
7	Pulley, Backside Idler	91801	37	Bolt, Carriage	2x53
8	Pin, Cotter	30x20	38	Deflector Assembly, Chute	91982
9	Locknut, Flange	15x88	39	Spring, Torsion	166x4
10	Washer	17x46Z	40	Bracket, Hinge	91765E701
11	Brake Assembly, Right	91819E701	41	Bracket, Front Hanger	91793E701
12	Brake Assembly, Left	91818E701	42	Rod, Deflector	91767Z
13	Spring, Torsion	166x27	43	Cap, Push On	28x23
14	Bolt, Hex	25x6	44	Rod, Hanger	91739Z
15	Bracket Assembly, Brake	92072E701	45	Guide, Belt	91754
16	Rod, Brake	91745Z	46	Hanger, Front	92119E701
17	Rod, Cross Link	91740Z	47	Screw	25x4
18	Pin, Hair	31x4	48	Guide, Belt	92095E701
19	Nut, Adjustable	92131	49	Bolt, Hex	1x84
20	Rod, Adjuster	91748Z	50	Housing, Jackshaft	90905
22	Link, Suspension	92064E701	51	Jackshaft	91922
23	Washer	17x103	52	Adapter, Blade	91926
24	Bracket Assembly, Right Lifter	91812E701	53	Blade (2 required)	92003E701
25	Nut, Flange	15x79	54	Washer, Belleville	17x166
26	Bracket, Pivot	92033E701	55	Washer	17x165
27	Bolt, Carriage	9x39	56	Nut, Hex	15x100
28	Arm Assembly, Idler	92032E701	57	Nut, Hex	15x82
29	Plate, Adjuster	91741E701	58	Indicator, Plastic	92163
30	Cover, Pulley	91792E701	59	Complete Mower Housing Assembly	403228

F-90739

MODEL NO. 38608x20B

MOWER HOUSING



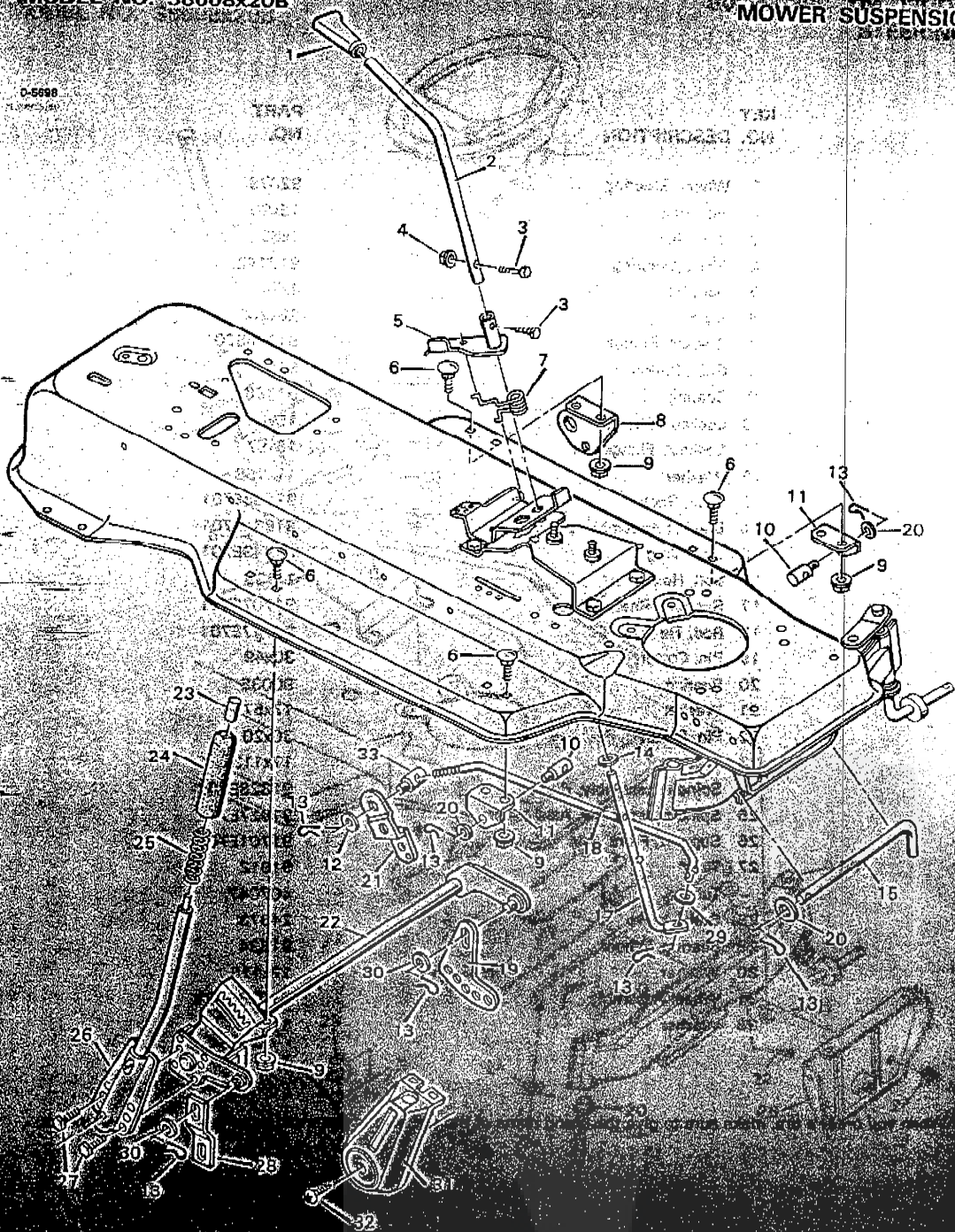
56739

KEY NO.	DESCRIPTION	PART NO.
1	Grip	55449
2	Lever, Blade Control	91781Z
3	Bolt, Hex	25x3
4	Locknut, Hex	15x67
5	Lever Assembly, Switch	91917E701
6	Bolt, Carriage	2x53
7	Spring, Torsion	166x32
8	Bracket, Left Rear Hanger	92066E701
9	Nut, Flange	15x79
10	Nut, Adjuster	92131
11	Bracket, Adjuster Rod	92133E701
12	Washer	17x124
13	Pin, Hair	31x4
14	Washer	17x67
15	Pin, Pull	90827Z
17	Lever, Lower Blade Control	91787E701
18	Rod, Blade Control	91795Z
19	Plate, Adjuster	91741E701
20	Washer	17x103
21	Bracket, Pivot	92033E701
22	Lifter Assembly	92065E701
23	Knob, Steel	91261
24	Grip	91398
25	Spring, Compression	164x21
26	Handle Assembly	91823E701
27	Screw	26x49
28	Link, Suspension	92084E701
29	Washer	17x47Z
30	Washer	17x91Z
31	Cover, Optional	91920
32	Screw	26x238
33	Nut, Adjuster	21920

92065

MODEL NO. 38608x20B

MOWER SUSPENSION



3107AD

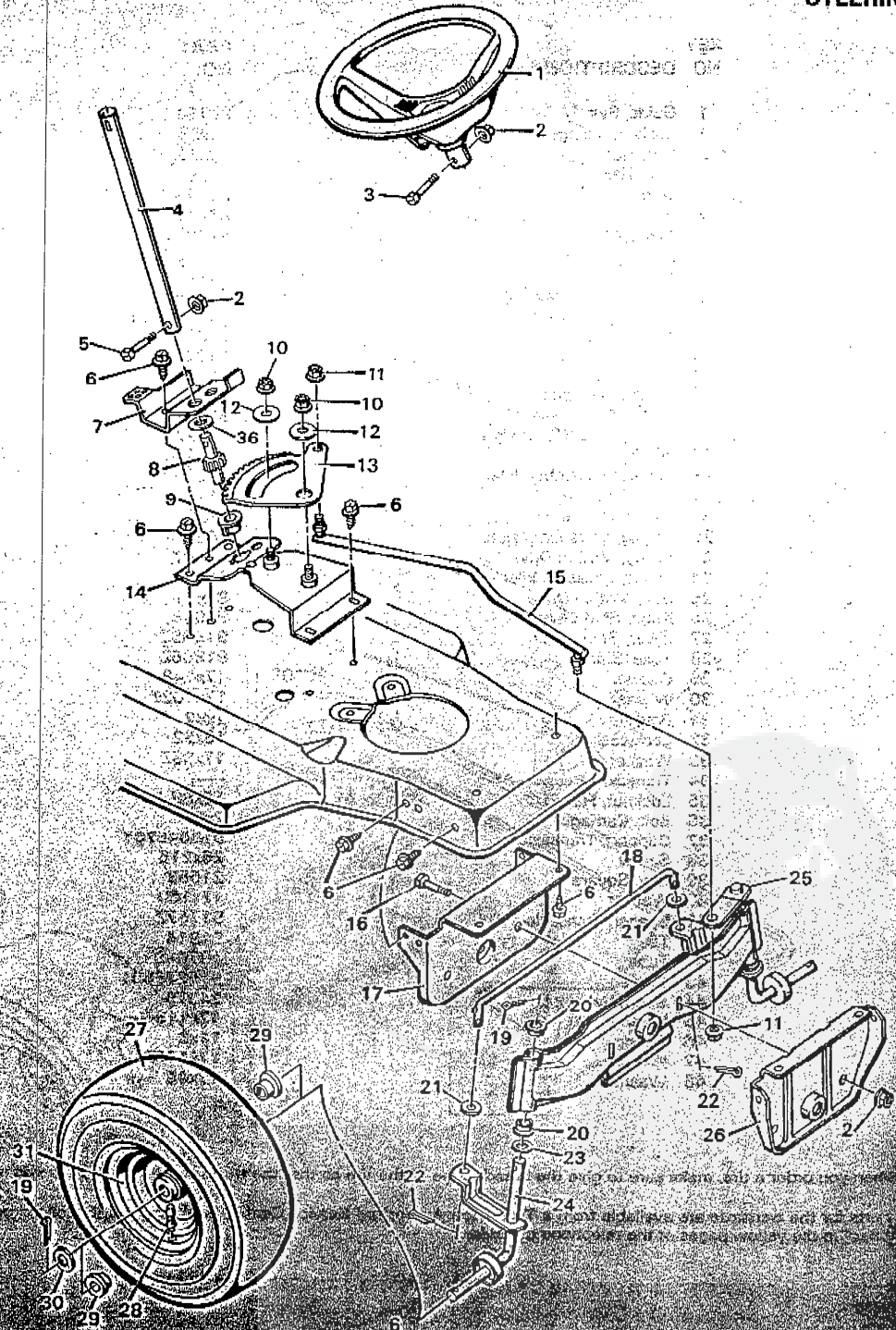
KEY NO.	DESCRIPTION	PART NO.
1	Wheel, Steering	92078
2	Nut, Hex	15x90
3	Bolt, Hex	1x66
4	Shaft, Steering	91714Z
5	Bolt, Hex	1x74
6	Screw	3126x249
7	Bracket, Sector	91716E701
8	Gear, Pinion	92007
9	Bearing	91756
10	Locknut, Flange	15x84
11	Locknut, Flange	15x87
12	Washer	17x158
13	Gear, Sector	92086E701
14	Bracket Assembly, Sector	91834E701
15	Link, Drag	91749E701
16	Bolt, Hex	1x138
17	Support -Rear, Axle	91702E701
18	Rod, Tie	91717E701
19	Pin, Cotter	30x49
20	Bearing	90035
21	Washer	17x57
22	Pin, Cotter	30x20
23	Washer	17x113
24	Spindle Assembly, Right	91828E701
25	Spindle Assembly, Axle & Left	91827E701
26	Support, Front Axle	91701E701
27	Tire *	91912
-	Tube	407047
28	Stem, Valve	24373
29	Bearing, Wheel	91334
30	Washer	17x115
31	Wheel Assembly	91633E601
36	Washer	17x83

When you order a tire, make sure to give the brand name of the tire so that the tread pattern on the tire will match.

MODEL NO. 3860Bx20B

STEERING

5699-1



82708-3

MODEL NO. 38608x20B

MOTION DRIVE

KEY NO.	DESCRIPTION	PART NO.
1	Guide, Belt	91754
2	Locknut, Flange	15x84
3	Nut, Flange	15x79Z
4	Bolt, Hex	1x99
5	Grip	91079
6	Screw	26x214
7	Rod, Control	91727E701
8	Guide, Bracket	91825E701
9	Screw	26x249
10	Clutch and Brake Pedal	21544
11	Lever Assembly	91862E701
12	Rod, Clutch	91808Z
13	Nut, Adjustable	21920
14	Pin, Cotter	30x20
15	Bracket, Support	91713E701
16	Latch, Park Brake	91712Z
17	Spring, Brake Extension	165x73
18	Washer	17x47Z
19	Bracket Assembly, Idler	92029Z
20	Ring, Retainer	11x7
21	Bolt, Shoulder	9x39
22	Spring, Drive Extension	165x76
23	Pulley, Motion Drive	91807
24	Pulley, Backside Idler	91179
25	Belt, Motion Drive	37x61
26	Knob, Shift Lever	91995
27	Lever, Shift	91805Z
28	Yoke, Shift	91806Z
29	Washer	17x148
30	Washer	17x102Z
31	Bolt, Hex	1x82
32	Lockwasher	18x32
33	Washer	17x38Z
34	Transaxle, Peerless **	
35	Locknut, Flange	15x88
36	Bolt, Carriage	2x64
37	Support, Transaxle	91804E701
38	Screw	26x216
39	Key, Square	21553
40	Washer	17x160
41	Spacer, Transaxle	91757Z
42	Tire *	91914
	— Tube	407049
43	Wheel	91627E601
44	Stem, Valve	24373
45	Washer	17x115
46	E-Ring	11x3
47	Washer	17x146Z
48	Washer	17x45

* When you order a tire, make sure to give the brand name of the tire so that the tread pattern on the tire will match.

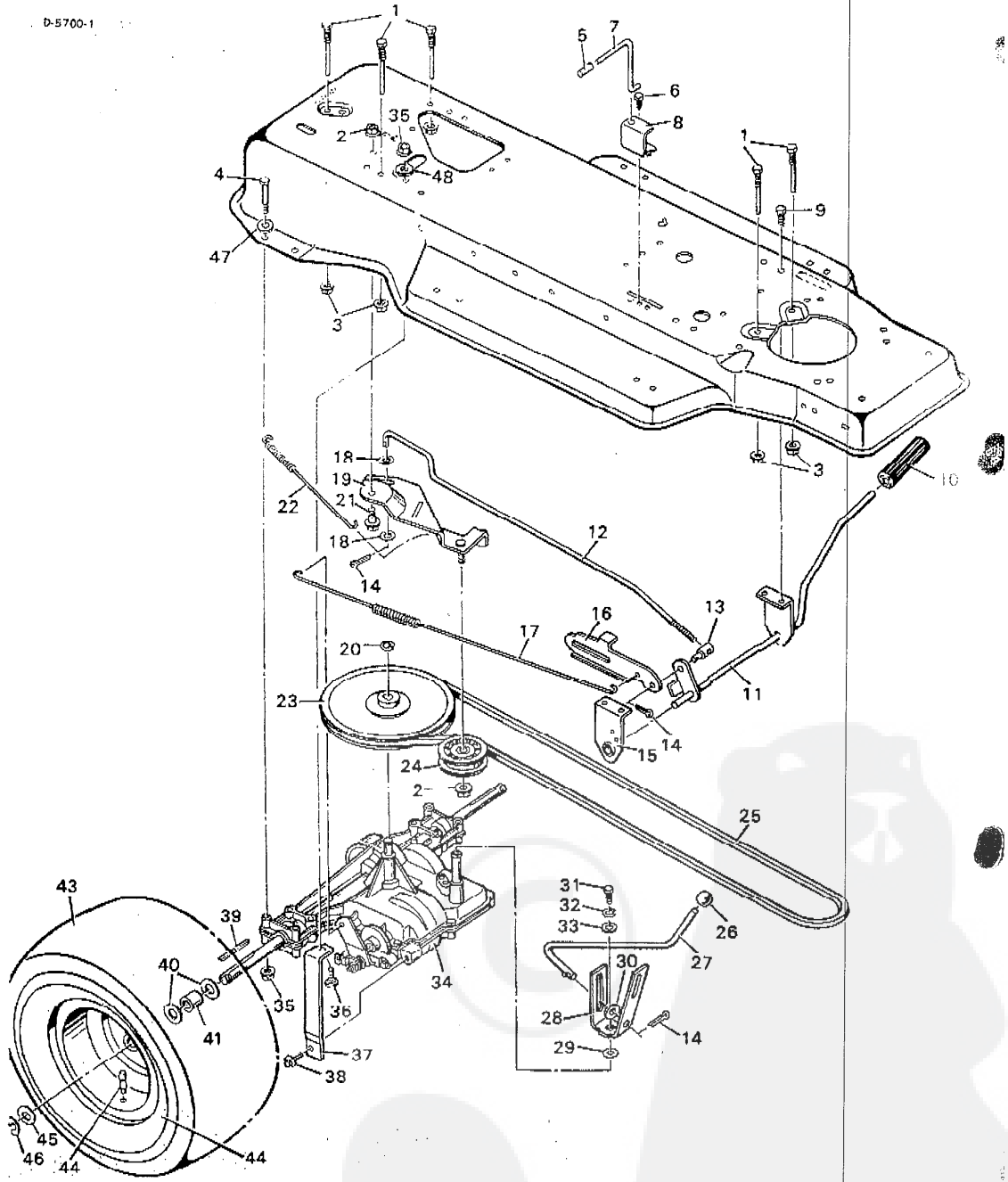
** Parts for the transaxle are available from a Tecumseh Authorized Service Center. See "Engines, Gasoline" or "Gasoline Engines" in the yellow pages of the telephone directory.

38608x20B

MODEL NO. 38608x20B

MOTION DRIVE

D-5700-1

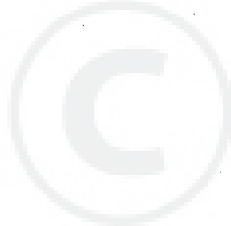


.90739

MODEL NO. 38608x208

CHASSIS & HOOD

KEY NO.	DESCRIPTION	PART NO.	KEY NO.	DESCRIPTION	PART NO.
1	Seat	91965	34	Washer, Rubber	91751
2	Plate Assembly, Switch	91963Z	35	Bolt, Shoulder	9x36
3	Spring, Compression	164x22	36	Dash Assembly	91858F200
4	Spring, Seat	91964	37	Bearing	91759
5	Glide, Spring	91822	39	Grille, Upper (without Lens)	91726
6	Bolt, Shoulder	9x38	--	Grille Assembly, Upper (includes Lens)	91736
7	Support, Seat	91728E701	41	Lens, Left	91735
8	Lockwasher	18x16	42	Len, Right	91734
9	Bolt, Hex	1x45	43	Panel, Lower Grille	91800
10	Locknut, Flange	15x88	44	Grille, Lower	91722F200
11	Bracket, Pivot	91728E701	45	Locknut, Flange	15x84
12	Rod, Pivot	91730E701	46	U-Nut	28x57
13	Cap, Push On	28x23	47	Screw	26x252
14	Cap, Console	91704F200	48	Support, Grille	91723F200
15	Screw, Tap	26x250	49	Frame	91700F200
16	Fender, Apron	91724F200	50	Mat	91900
17	Screw	26x214	52	Fastener, Plastic	193x1
18	Tray, Battery	91895	--	Instruction Book	F-90746
19	Fender	91715F200	--	Replacement Parts Book	F-90739
20	Clip, Battery	91941	--	Decal, Left Hood	44x949
21	Screw	26x184	--	Decal, Right Hood	44x950
22	Screw	26x249	--	Decal, Grille	44x946
23	Channel Assembly	91857E701	--	Decal, Left Console	44x947
24	Console	91705F200	--	Decal, Right Console	44x948
25	Frim, Edge	21765	--	Decal, Parking Brake	44x760
26	Hood Assembly	91852F200	--	Decal, Top Console	44x759
27	Eyelet	91733	--	Decal, Top Console	44x1117



50708

MODEL NO. 38608x20B

CHASSIS & HOOD

