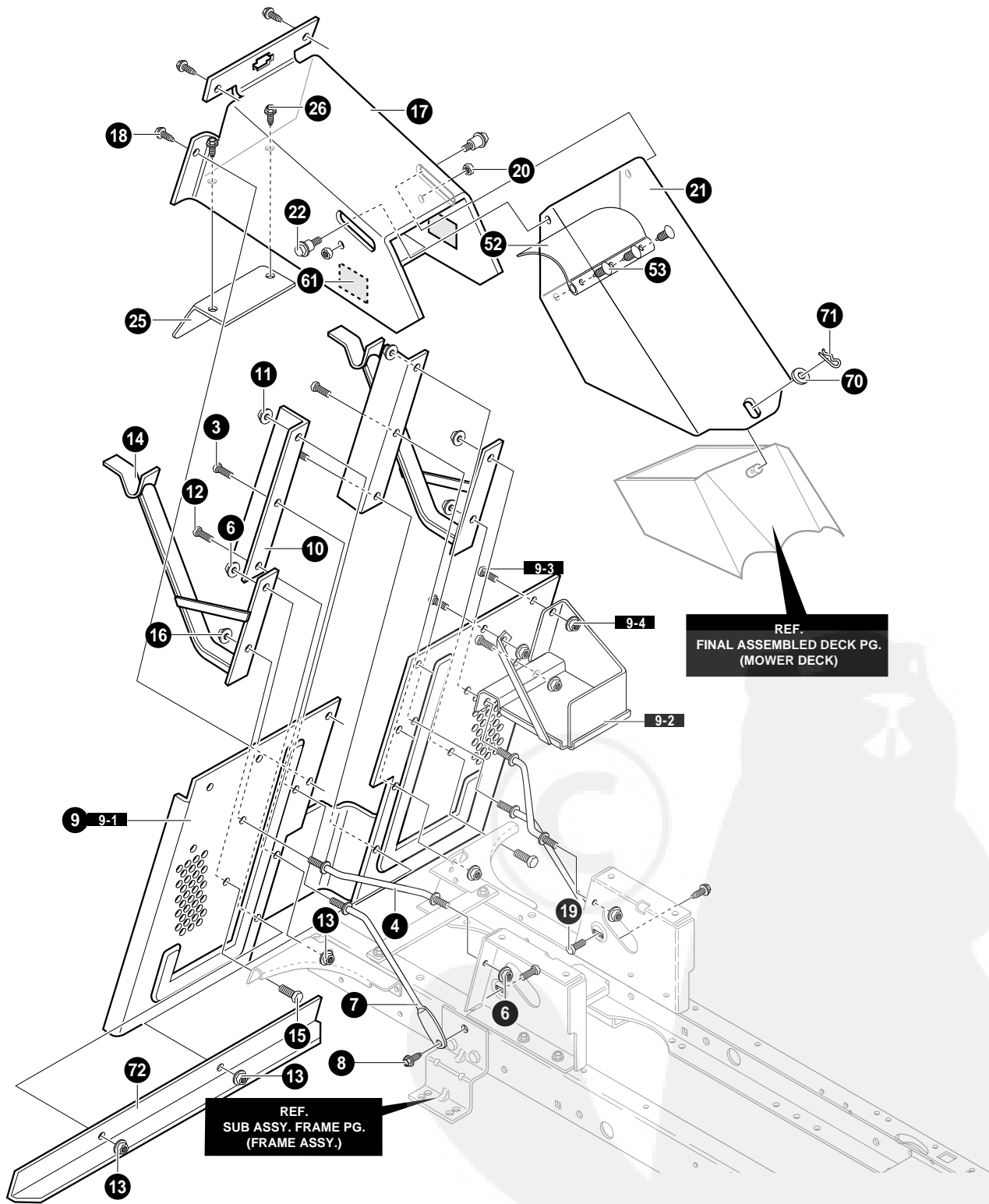


NOTE: ALWAYS USE ORIGINAL EQUIPMENT PARTS. Use of service/replacement parts other than original equipment parts may void your warranty.

ALL UNNUMBERED ITEMS ARE INTERCHANGEABLE WITH OPPOSITE SIDE

341317C

KEY #	PART #	DESCRIPTION	QTY
1	95432-821	BRACKET/HOOD RH	1
2	95433-821	BRACKET/HOOD LH	1
3	710079	SCREW, 5/16-18X.75HHWATAPSGIBP	4
4	94907	DASH	1
5	710282	SCREW, 1/4-14X .75PHPANTAPABBL	2
8	180020	SCREW, 1/4-20X .75 HHC	2
9	120392	WASHER, FLAT .281X .63X.065	4
10	782585	NUT, 1/4-20 REGHEXCTRLK	2
11	341569-860	ASM. LOWER CONSOLE	1
11-1	95425	TOWER, LOWER DASH	1
11-2	95426	SUPPORT, STEERING/PTO	1
11-3	710264	SCREW, 1/4-20X .50 WAHHTAP	4
11-4	95406	ROD, DASH BRACE	1
11-5	710264	SCREW, 1/4-20X .50 WAHHTAP	2
12	710079	SCREW, 5/16-18X.75HHWATAPSGIBP	4
15	94638-860	PANEL, ACCESS	1
16	710196	SCREW, 10-24	2
17	328278	HOOD	1
18	302670	LENS, HEADLAMP	1
19	308492	FOIL, LENS HOOD REFLECTOR	1
21	301452	FOIL, HEAT REFLECTOR	2
22	300317	CLEVIS PIN .375DIAX.81LG	2
23	710343	HAIR PIN .038DIAX1.64LG	2
24	6711	PLASTIC WASHER .315X.75X.064	4
25	95404	BUSHING, STEERING SHAFT	1
	711113	OPERATOR'S MANUAL	

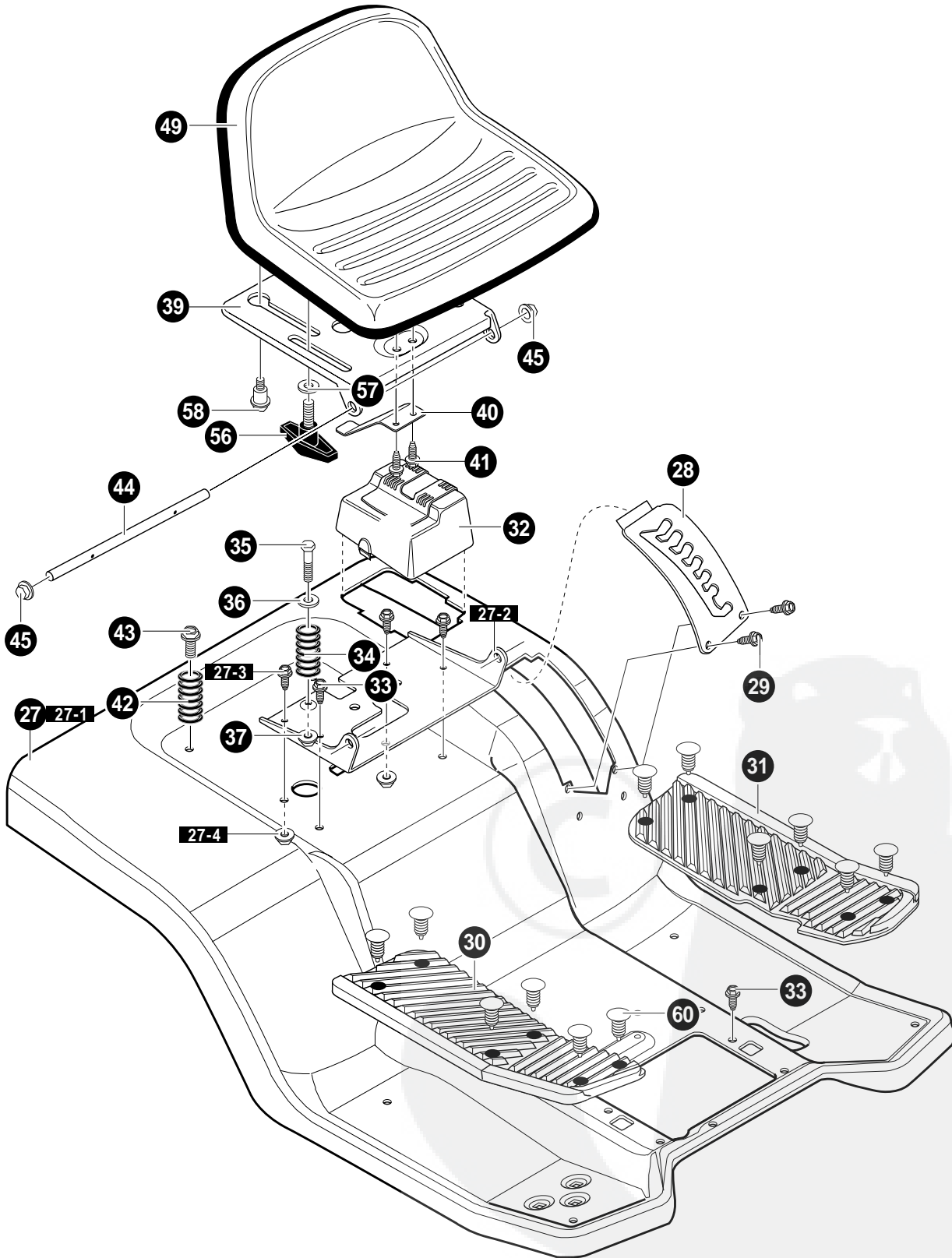


NOTE: ALWAYS USE ORIGINAL EQUIPMENT PARTS.  
Use of service/replacement parts other than original  
equipment parts may void your warranty.

ALL UNNUMBERED  
ITEMS ARE INTERCHANGEABLE  
WITH OPPOSITE SIDE

341250 C

KEY NO.	PART NO.	DESCRIPTION	QTY
3	710079	SCREW, 5/16-18X.75HHWATAP	2
4	94625	ROD, BRACE	2
6	45171	NUT, 3/8-16 HWDFL WHIZ-LOCK	4
7	94231	ROD, BRACE	2
8	710079	SCREW, 5/16-18X.75HHWATAP	2
9	341493-821	BACK PLATE/BATTERY ASSEMBLY	1
9-1	94569	BACK PLATE ASSEMBLY REBA	1
9-2	94563	BATTERY TRAY WELD ASM.	1
9-3	180073	SCREW, 5/16-18X .50 HHC	3
9-4	45174	NUT, 5/16-18 HEXWDFLLK WHIZ	3
10	94232-821	BRACE, BACK PLATE	2
11	45171	NUT, 3/8-16 HWDFLLK WHIZ	2
12	328154	SCREW, 5/16-18X1.0WDFLLK	4
13	45174	NUT, 5/16-18 WDFLLK (15X88)	4
14	94637-821	ASSY, COLLECTOR SUPPORT	2
15	328154	SCREW, 5/16-18X1.0WDFLLK	2
16	45174	NUT, 5/16-18HEXWDFLLK WHIZ	2
17	94295-821	CHUTE WELD ASM. UPPER	1
18	710079	SCREW, 5/16-18X.75HHWATAP	4
19	57101	BOLT, 5/16-18X .75 CARR	2
20	45174	NUT, 5/16-18 HEXWDFLLK WHIZ	2
21	94970-821	CHUTE WELD ASM. MIDDLE	1
22	51601	BOLT, .500X .453 HSH 3/8-16	2
25	94263-821	COVER, T-AXLE SHIELD	1
26	710264	SCREW, 1/4-20X .50 WAHHTAP	2
52	94264	FLAP,CHUTE REBA	1
53	309235	RATCHET FASTENER	3
70	710116	FLATWASHER	1
71	710343	HAIR PIN	1
72	95087-821	BACKPLATE, SUPPORT	1

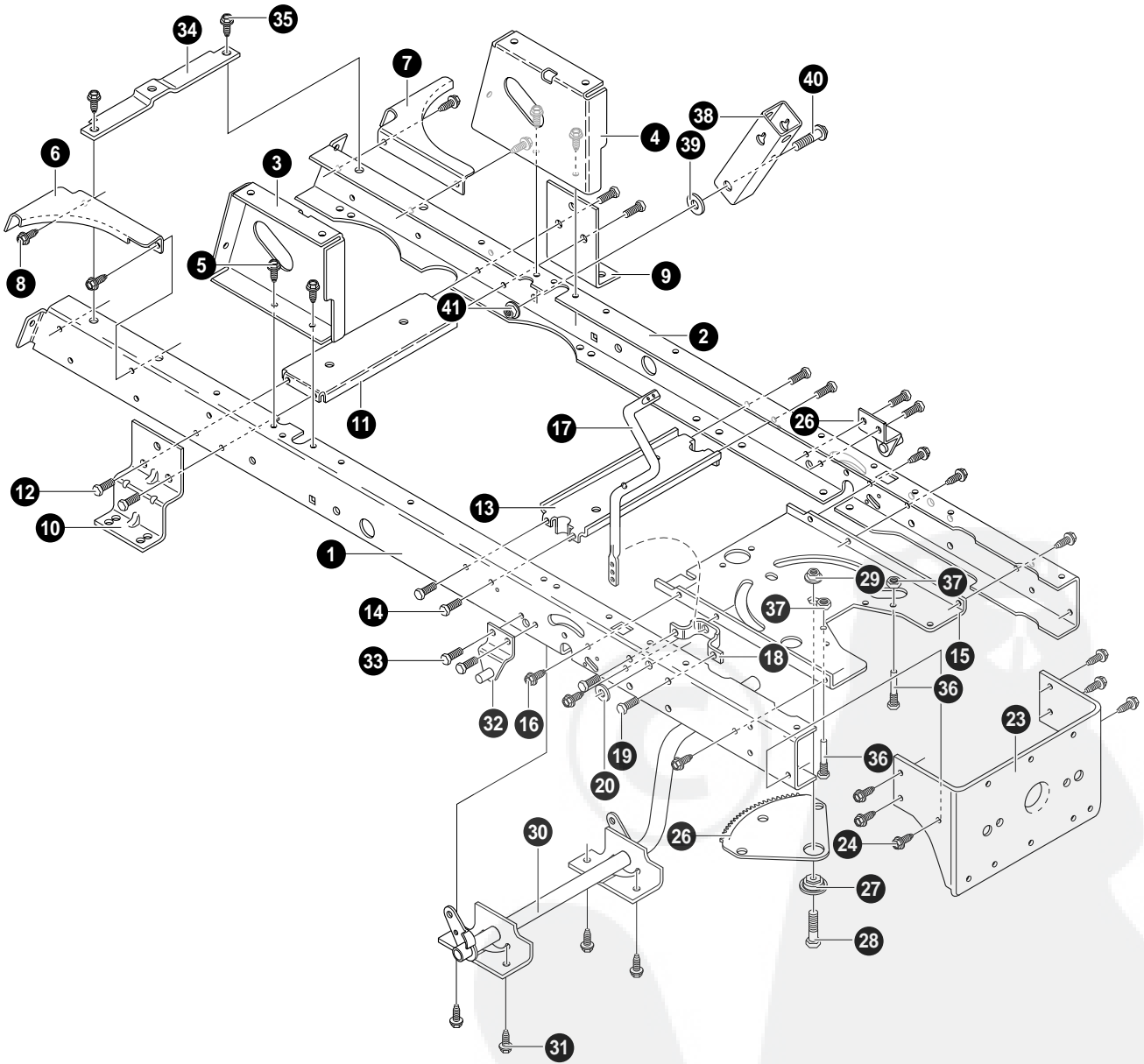


NOTE: ALWAYS USE ORIGINAL EQUIPMENT PARTS.  
Use of service/replacement parts other than original  
equipment parts may void your warranty.

ALL UNNUMBERED  
ITEMS ARE INTERCHANGEABLE  
WITH OPPOSITE SIDE

341250C

KEY NO.	PART NO.	DESCRIPTION	QTY
27	341495-860	ASM.SEAT DECK PEDAL GEAR REBA	1
27-1	94311	SEAT DECK,GEAR DRIVE	1
27-2	94153	BRACKET, PIVOT SEAT	1
27-3	710279	SCREW, 5/16-18X .625	2
27-4	710205	NUT, 5/16-18 WDFLLK (15X88)	2
28	94243-860	PLATE, LIFT DETENT	1
29	710196	SCREW, 10-24X.500TRSEGI	2
30	95438	FOOTREST PAD RH	1
31	95437	FOOTREST PAD LH	1
32	94200	COVER, BATTERY	1
33	710079	SCREW, 5/16-18X.75HHWATAP	3
34	710136	SPRING, COMPRESS 4.57LG X 1.17	1
35	710093	BOLT,SHOULDER 1/4-20NC-2A(9X55 )	1
36	94155	WASHER CUP ZINC	1
37	710280	NUT, 1/4-20 WDFLLK (15X89)	1
39	94154-860	SUPPORT, SEAT	1
40	94057	SPRING - LEAF	1
41	710264	SCREW, 1/4-20X .50 WAHHTAP	2
42	710109	SPRING,COMPRESS 2.43LG (164X30 )	2
43	710079	SCREW, 5/16-18X.75HHWATAP	2
44	94156	ZINC HINGE SEAT PIVOT	1
45	710192	NUT, PUSH CAP .375 (28X23)	2
49	95079	SEAT	1
56	94160	BOLT, WING 5/16-18	2
57	710281	WASHER, FLAT.344X .62X.06	2
58	710101	BOLT, SHOULDER 5/16-18NC (9X56)	2
60	311087	FASTENER,RATCHET	6
61	318197	PAD, ADHESIVE	3



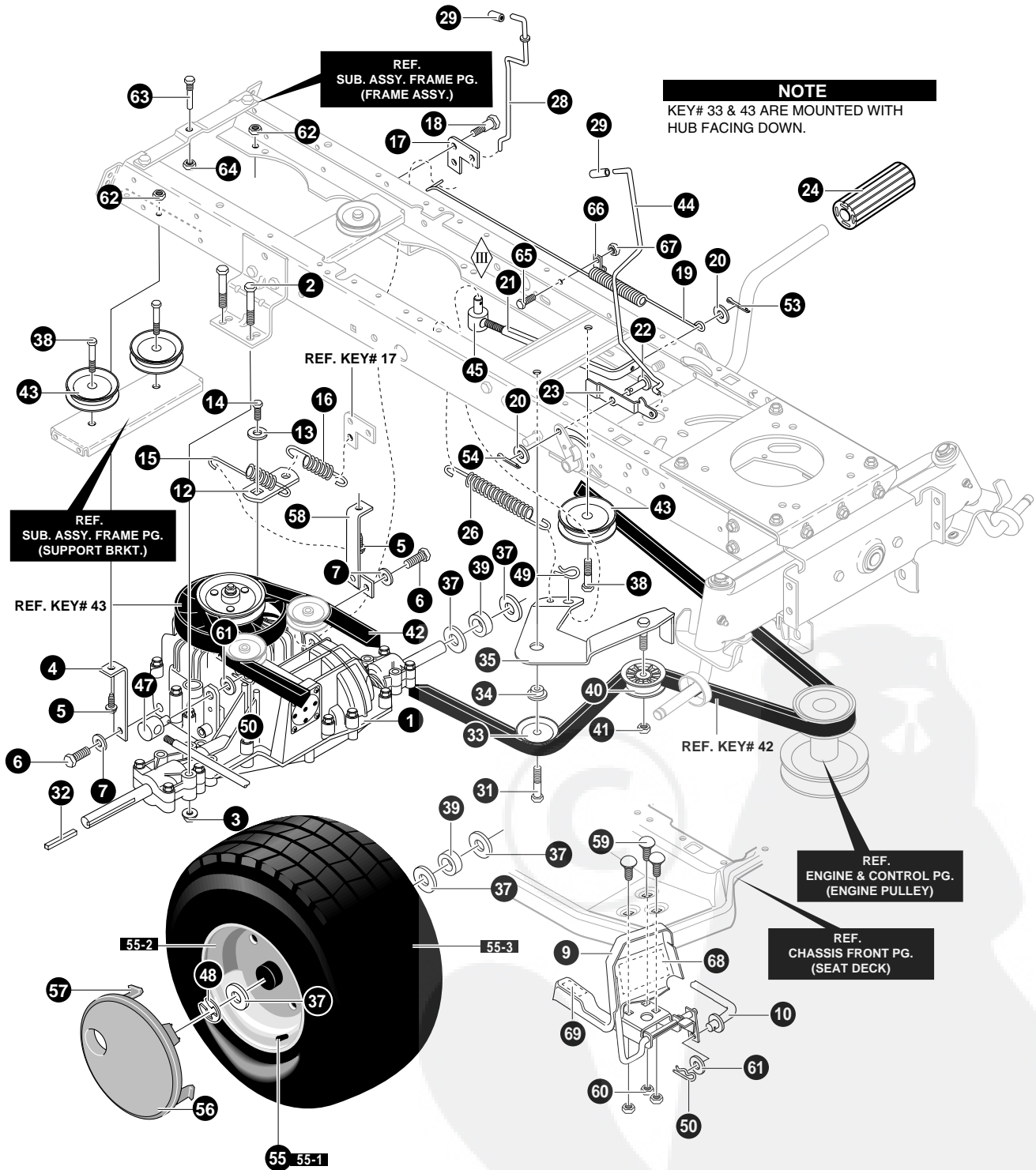
NOTE: ALWAYS USE ORIGINAL EQUIPMENT PARTS.  
Use of service/replacement parts other than original  
equipment parts may void your warranty.

ALL UNNUMBERED  
ITEMS ARE INTERCHANGEABLE  
WITH OPPOSITE SIDE

340370A

KEY PART NO.	PART NO.	DESCRIPTION	QTY
1	94564	FRAME,RAIL RH REBA	1
2	94565	FRAME,RAIL LH REBA	1
3	94634	SUPPORT,SEAT RH	1
4	94633	SUPPORT,SEAT LH	1
5	710079	SCREW, 5/16-18X.75HHWATAP	4
6	94561	BRACE, BACKPLATE RH	1
7	94562	BRACE, BACKPLATE LH	1
8	710079	SCREW, 5/16-18X.75HHWATAP	4
9	94008	BRACKET,TRANSAXLE	1
10	94234	BRACKET,T/A RH-VST, LH-VST	1
11	94236	ASSY, IDLER MOUNT, REAR	1
12	710079	SCREW, 5/16-18X.75HHWATAP	4
13	94237	ASM. IDLER MOUNT,FRONT	1
14	710079	SCREW, 5/16-18X.75HHWATAP	4
15	94003	PLATE,STEERING MOUNTING	1
16	710079	SCREW, 5/16-18X.75HHWATAP	6
17	94019	CRANK, PTO (DRILLED)	1
18	94005	BRACKET, BELL CRANK	1
19	710079	SCREW, 5/16-18X.75HHWATAP	2
20	120395	WASHER, FLAT .469X .92X.065	1
23	94013	BRACKET, HANGER REAR	1
24	710079	SCREW, 5/16-18X.75HHWATAP	6
26	94121	GEAR, SECTOR	1
27	94123	BEARING, SECTOR GEAR	1
28	710312	SCREW, 5/16-18X1.00	1
29	710105	NUT, 5/16-18 HWDFLLK (15X113)	1
30	94241	ASM.CLUTCH/BRAKE PEDAL	1
31	710079	SCREW, 5/16-18X.75HHWATAP	4
32	94285	BRACKET SUSPENSION ASM.	2
33	710079	SCREW, 5/16-18X.75HHWATAP	4
34	94566	BRACE, RAIL	1
35	710079	SCREW, 5/16-18X.75HHWATAP	2
36	93349	SCREW GUIDE 5/16-18	2
37	710204	NUT,5/16-18 HEXWDFLLK WHIZ PL	2
38	94015	BRACKET, PIVOT	1
39	845	WASHER, FLAT .390X1.25X.119	1
40	710000	BOLT, .562X1.563 HSH 3/8-16	1
41	710140	NUT,3/8-16HWDFLLK MACK 15X84	1

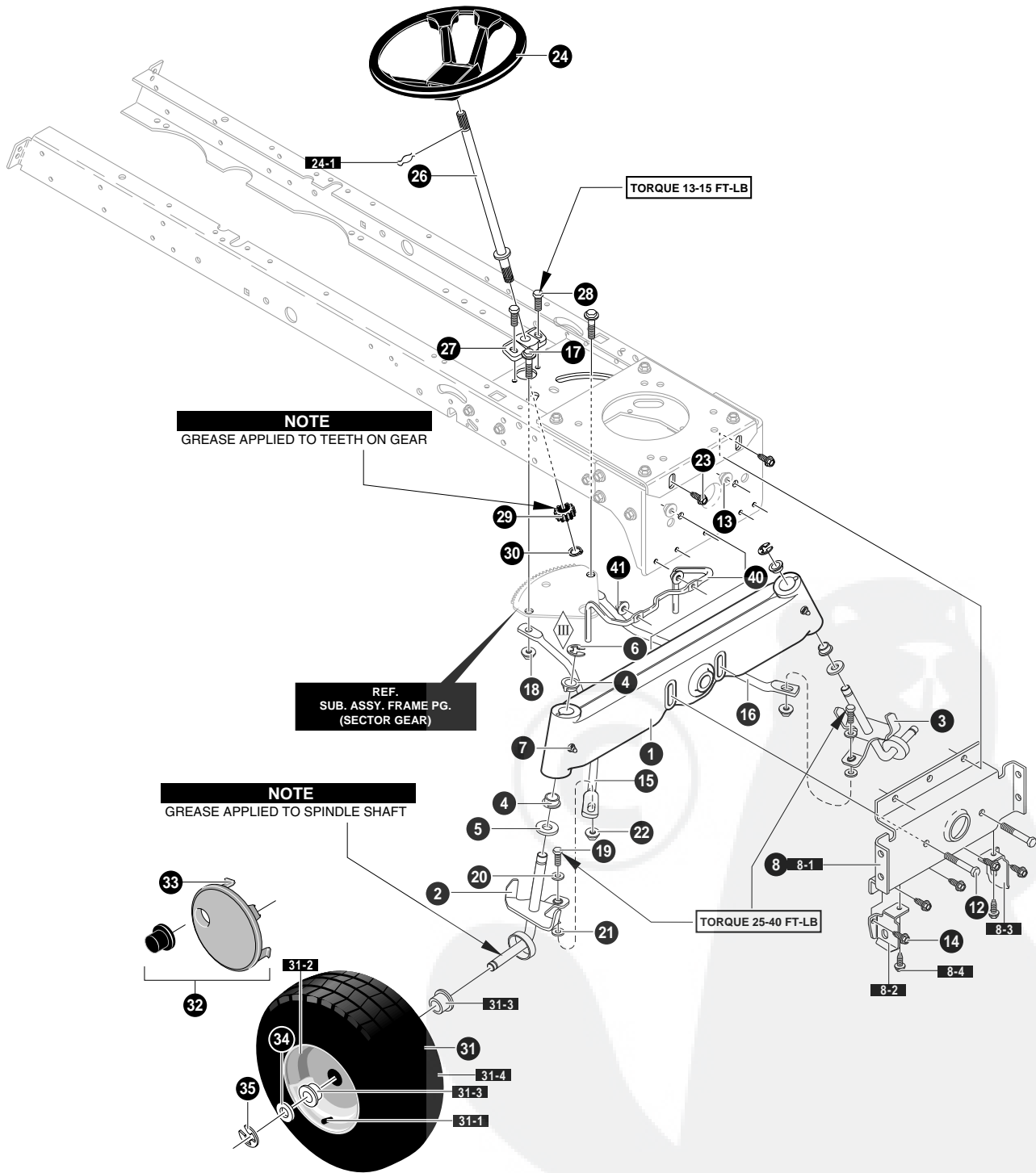




NOTE: ALWAYS USE ORIGINAL EQUIPMENT PARTS. Use of service/replacement parts other than original equipment parts may void your warranty.

ALL UNNUMBERED ITEMS ARE INTERCHANGEABLE WITH OPPOSITE SIDE

KEY NO.	PART NO.	DESCRIPTION	QTY
1		TRANSAXLE HYDRO VST205-025BM	1
2	180091	SCREW, 5/16-18X2.50 HHC	4
3	710205	NUT, 5/16-18 WDFLLK (15X88)	4
4	94224-821	BRACKET,STABILIZER	1
5	328154	SCREW, 5/16-18X1.0 WDFLLK	2
6	782967	SCREW, 5/16-18X.88 WAHHTAP	1
7	120638	WASHER, HVSPTLK .328X.60X.09	1
9	94422-821	PEDAL ASSEMBLY	1
10	94304	FOOT CONTROL ROD	1
12	323212	SHIFT BRACKET	1
14	56255	SCREW, 1/4-28X.75NYLHH	1
13	57157	WASHER .750X.250 SP-TRANSAXLE	1
15	94622	SPRING, TRANSAXLE DISCONNECT	1
16	326780	SPRING, TENSION 3/8ODX2.18X.055	1
17	94621-821	BRACKET, DISCONNECT LEVER	1
18	334126	BOLT, .437X.136 5/16-18	1
19	95424	SPRING, BRAKE 35.00	1
20	120394	WASHER, FLAT .406X.81X.065	2
21	94573	ROD, CLUTCH	1
22	49332	PIN, CLEVIS .375DX.81LG	1
23	94045	LATCH, PARK BRAKE	1
24	21544	PEDAL,BRAKE/CLUTCH STD NLT	1
26	710139	SPRING, TENS .09X . X5.	1
28	94653	ROD, DISCONNECT CONTROL	1
29	335980	CAP, DUMP VALVE ROD .25IDX.75	1
31	710082	SCREW, 3/8-16X1.5 HHCFLTHR5	1
32	52928	KEY, SQUARE .187SQX2.25LG	2
33	782964	PULLEY, IDLER #35374	1
34	95423	SPACER, SHOULDER	1
35	94238	ASSY, IDLER ARM TRACTION	1
37	710131	WASHER, FLAT .755X1.31X.075	6
38	180124	SCREW, 3/8-16X1.25	3
39	95421	SPACER, .87 X 1.78	2
40	91179	PULLEY	1
41	45905	NUT, 3/8-16 HWDFLLK MACK	1
42	94609	BELT, V 4L 112.75	1
43	782964	PULLEY, IDLER #35374	3
44	94568	PARK BRAKE CONTROL ROD	1
45	710059	NUT, 5/16-18X3/8 ADJUSTING	1
47	92132	ADJUSTING NUT 1/2-13	1
48	36625	RING, RETEX .57X.05TRU5133-75	2
49	56180	PIN, HAIR .53DIAX1.62LG	1
50	710343	PIN, HAIR .038 DIAX1.64LG	1
53	121222	PIN, COTTER .090 DIAX .75LG	1
54	121222	PIN, COTTER .090 DIAX .75LG	1
55	692289	TIRE & RIM 18X8.5-8	2
55-1	338512	VALVE STEM	2
55-2	338524	RIM	2
55-3	338549	TIRE 18X8.5-8	2
56		NOT USED ON THIS UNIT	
57		NOT USED ON THIS UNIT	
58	94225-821	ASM. WELD, BKT STABILIZER LH	1
59	57101	BOLT, 5/16-18X.75 CARR.	3
60	45174	NUT, 5/16-18 HEXHDFLLK WHIZ	3
61	996425	FLATWASHER .515X.88X.064	2
62	45174	NUT,5/16-18 HEXWDFLLK WHIZ	2
63	93349	SCREW GUIDE 5/16-18	1
64	710204	NUT, 5/16-18 HEXWDFLLK WHIZ	1
65	180016	SCREW, 1/4-20 X.50	1
66	57569	RETAINER .31IDX.62X.03 WIRE	1
67	51335	NUT, 1/4-20 WDFLWHIZ-LK	1
68	93248	PEDAL, PAD SANDPAPER	1
69	93249	PAD, TOE SANDPAPER	1

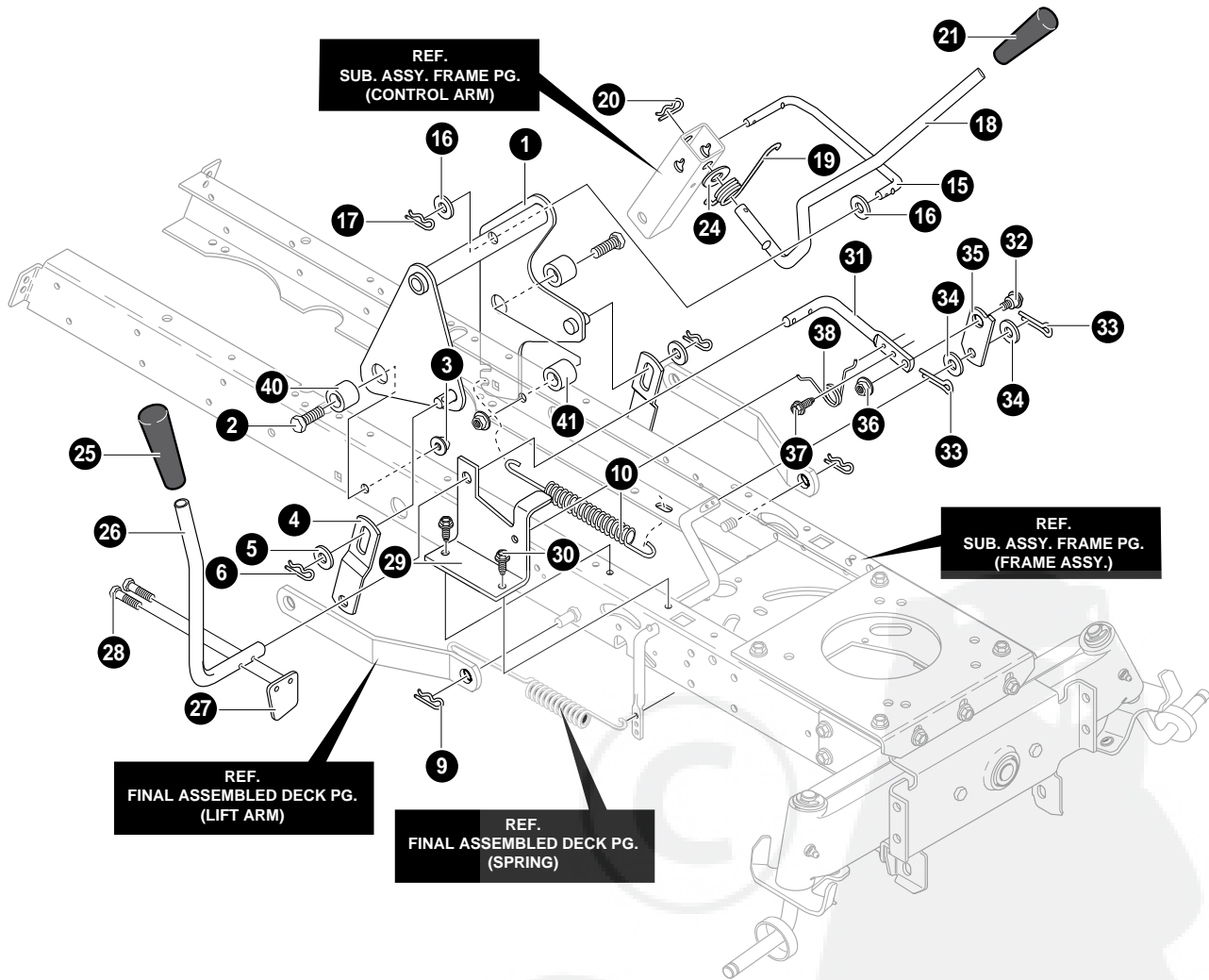


NOTE: ALWAYS USE ORIGINAL EQUIPMENT PARTS. Use of service/replacement parts other than original equipment parts may void your warranty.

ALL UNNUMBERED ITEMS ARE INTERCHANGEABLE WITH OPPOSITE SIDE

340597C

KEY NO.	PART NO.	DESCRIPTION	QTY
1	95405-821	AXLE, CAST MACHINED	1
2	94178-821	SPINDLE,RH MO#94178	1
2-1	94014	SPINDLE AXLE	1
2-2	94125	ARM, STEERING RH	1
2-3	623168	DUST CUP	1
3	94179-821	SPINDLE LH,WELD ASSEMBLY	1
3-1	94014	SPINDLE AXLE	1
3-2	94126	ARM, STEERING RH	1
3-3	623168	DUST CUP	1
4	92527	BEARING, SPINDLE	4
5	710129	WASHER,.766 ID X 1.62ID 16GA	2
6	710103	E-RING .574IDX.050/.750SH 11X3	2
7	706	ZERK, GREASE FITTING	2
8	341491-821	ASM.FRONT AXLE/DECK HANGER	1
8-1	94007	HANGER, AXLE	1
8-2	94290	HANGER,DECK RH	1
8-3	94289	HANGER,DECK LH	1
8-4	710079	SCREW, 5/16-18X.75HHWATAPSGIBP	2
12	180113	SCREW, 5/16-18X3.00	2
13	710205	NUT, 5/16-18 WDFLLK (15X88) Z	2
14	710079	SCREW, 5/16-18X.75HHWATAPSGIBP	2
15	94020-821	DRAG LINK RH	1
16	94021-821	DRAGLINK, LH	1
17	710440	BOLT,HHSH (9X57)	2
18	710140	NUT,3/8-16HWDFLLK MACK 15X84	2
19	710082	SCREW, 3/8-16X1.5	2
20	710083	WASHER, FLAT .391X1.00X.083	2
21	710142	WASHER, FLAT.406X .81X16GA	2
22	710140	NUT,3/8-16HWDFLLK MACK 15X84 Z	2
23	710079	SCREW, 5/16-18X.75HHWATAPSGIBP	3
24	95442	STEERING WHEEL	1
24-1	94131	RETAINER, SPRING	1
26	94127	SHAFT, STEERING	1
27	94124	BEARING-LOWER	1
28	710079	SCREW, 5/16-18X.75HHWATAPSGIBP	2
29	94122	GEAR PINION	1
30	710102	RING, RET E.54ID .59SH (11X25)	1
31	692287	TIRE & RIM 15X6-6	2
31-1	338512	VALVE STEM	2
31-2	338517	RIM, CARLISLE	2
31-3	338513	BEARING	2
31-4	338516	TIRE, 15X6X6	2
32	-	NOT USED	
33	-	NOT USED	
34	710350	WASHER, FLAT .765X1.62X.065Z	2
35	36625	RETAINING RING	2
40	94310	GUIDE-STACK PULLEY BELT	1
41	45174	NUT, 5/16-18 HEXWDFLLK WHIZ	2

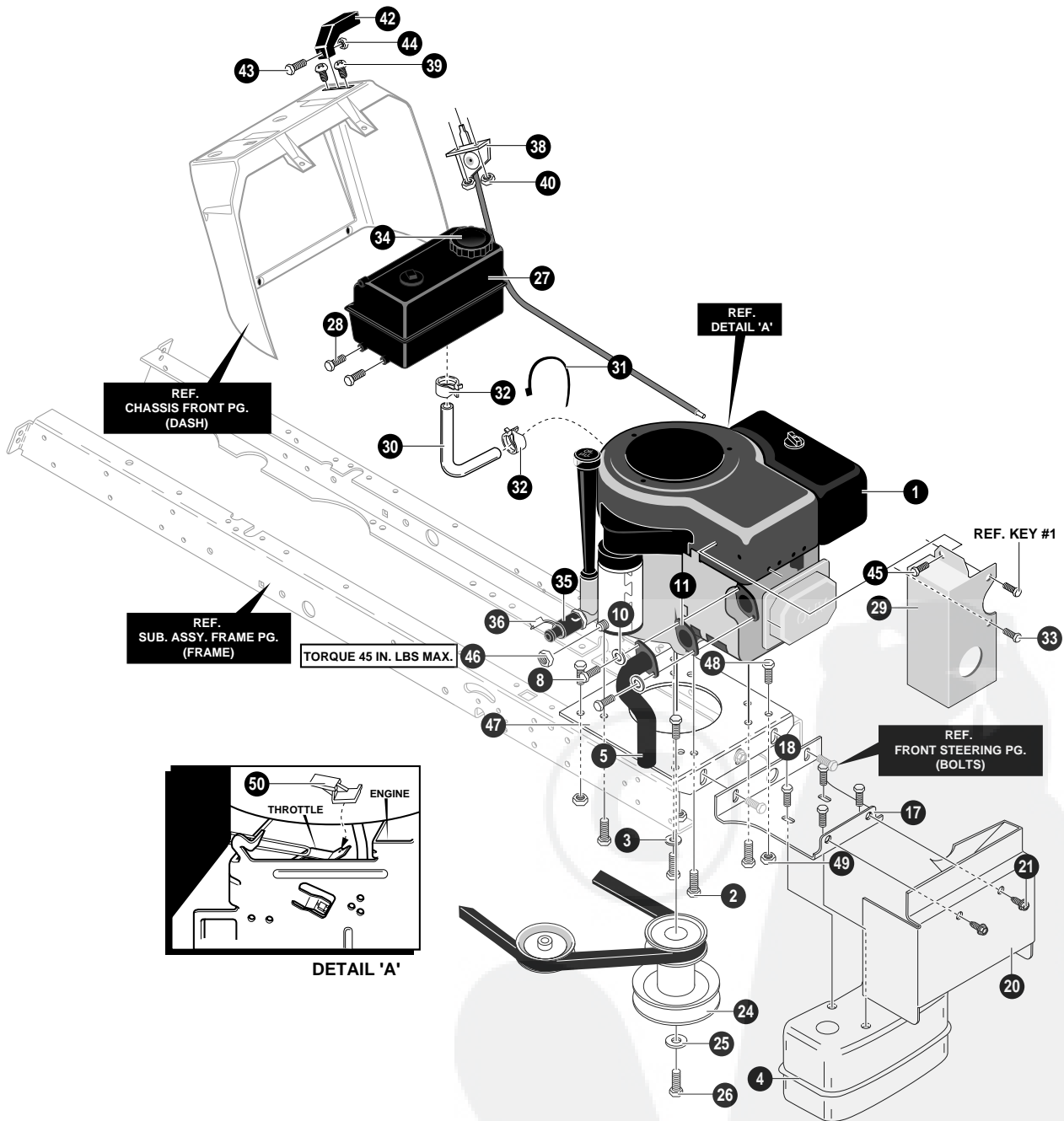


NOTE: ALWAYS USE ORIGINAL EQUIPMENT PARTS.  
 Use of service/replacement parts other than original  
 equipment parts may void your warranty.

ALL UNNUMBERED  
 ITEMS ARE INTERCHANGEABLE  
 WITH OPPOSITE SIDE

340859D

KEY NO.	PART NO.	DESCRIPTION	QTY
1	94299-821	LIFT ARM WELD ASSEMBLY	1
2	710222	SCREW, 1/2-13X1.50 (1X127)	2
3	710223	NUT, 1/2-13 LOCK (15X41)	2
4	94262-821	BRACKET, LIFT LINK	2
5	710119	FLATWASHER (17X91)	2
6	710343	PIN, HAIR .38DIA.X1.64LG	2
9	710108	PIN, HAIR (31X4)	2
10	710235	SPRING, EXTENSION 9.82X1.01OD	1
15	94276	LINK, LIFT HANDLE	1
16	710119	FLATWASHER (17X91)	2
17	710343	PIN, HAIR .38DIA.X1.64LG	1
18	94029	HANDLE, LIFT	1
19	710111	TORSION SPRING .657LG (166X40)	1
20	710108	PIN, HAIR (31X4)	1
21	94929	GRIP, GREY	1
25	94928	GRIP, GREY	1
26	94826	PTO LEVER	1
27	94022	PADDLE, SWITCH	1
28	710137	SCREW, THD FORMING	2
29	94018-821	BRACKET, PTO	1
30	710079	SCREW, 5/16-18X.75HHWATAP	2
31	94017	LEVER, PTO	1
32	710098	BOLT .50X.75 HSSH 3/8-16Z 9X39	1
33	36368	PIN, HAIR .072 DIA X1.13LG	2
34	710115	FLATWASHER .518X.87X16	2
35	94004	LINK PTO ZINC	1
36	710140	NUT, 3/8-16HWDFLLK MACK (15X84)	1
37	710079	SCREW, 5/16-18X.75HHWATAP	1
38	710141	TORSION SPRING .33LG (166X39)	1
40	94309	SPACER.513 ID X .880 OD	2
41	56150	SPACER, SLEV .94X1.13X.531	1



NOTE: ALWAYS USE ORIGINAL EQUIPMENT PARTS.  
 Use of service/replacement parts other than original  
 equipment parts may void your warranty.

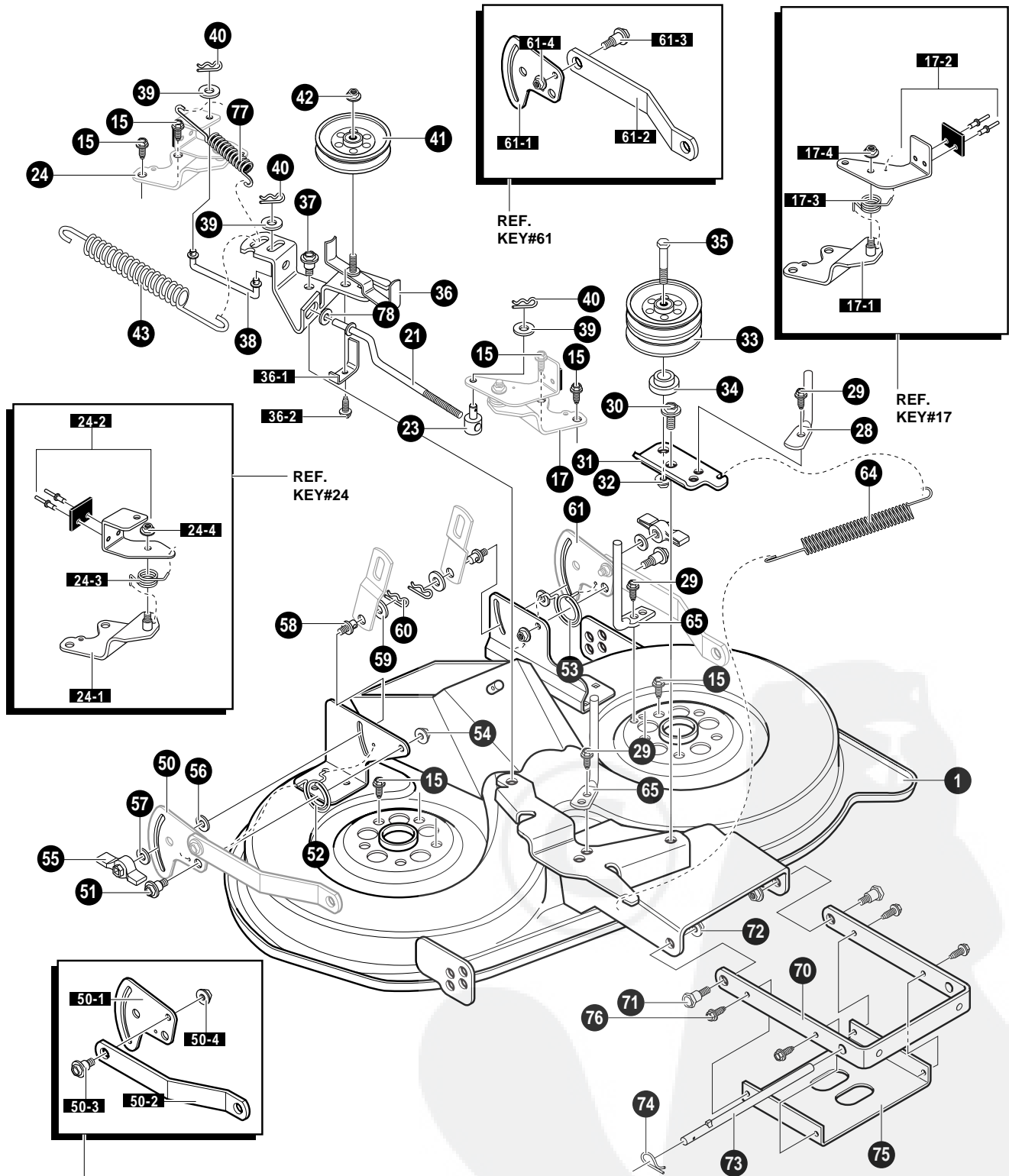
ALL UNNUMBERED  
 ITEMS ARE INTERCHANGEABLE  
 WITH OPPOSITE SIDE

341636B



KEY PART NO.	NO.	DESCRIPTION	QTY
1	ENGINE	15.5HP BSOHV(SEE ENGINE MANUAL)	1
2	50947	SCREW, 3/8-16X1.25 WAHHTAP	4
3	138489	WASHER, EXLK .384X.69X.04	1
4	94654	MUFFLER, SINGLE-CYLINDER	1
5	94657	EXHAUST TUBE	1
8	180077	SCREW, 5/16-18X.75	2
10	120638	WASHER, HVSP TLK.328X.60X.09	2
11	46708	GASKET, MUFFLER	1
17	94306-821	BRACKET, MUFFLER MOUNT	1
18	44811	SCREW 1/4-20X.75 WAHHTAP	4
20	95439-821	SHIELD, HEAT LOWER FRONT	1
21	710079	SCREW 5/16-18X.75HHWATAP	2
24	94308	PULLEY, ENGINE	1
25	120383	WASHER, REGSPTLK	1
26	433146	SCREW 7/16-20X4.25	1
27	309853	FUEL TANK 1.5 GALWO/SENSOR	1
28	710246	SCREW, .15TPIX	4
29	333772-821	HEAT SHIELD	1
30	57876	TUBING, .25X.50 GAS LINE	12.00 IN.
31	57444	CABLE TIE	1
32	47345	CLAMP, FUEL LINE YELLOW	2
33	710264	SCREW, 1/4-20X.50 WAHHTAP	1
34	12501	FUEL CAP	1
35	325547	OIL DRAIN VALVE ASSEMBLY	1
36	327422	CAP,OIL DRAIN VALVE ASM.YELLOW	1
38	94906	THROTTLE CONTROL	1
39	155941	SCREW, 10-24X.63 PHFLTMA	2
40	308459	NUT #10-24 HXHDNYLK	2
42	94931	THROTTLE CONTROL KNOB	1
43	159585	SCREW, #8-32X.38 PHPNMA	1
44	120622	NUT, #8-32 REGHX	1
45	57366	SCREW 10-16X.50 DRILLTITE	1
46	124818	NUT, 1/4-20 REGHXJAM	1
47	94006-821	PLATE, ENGINE	1
48	710079	SCREW, 5/16-18X.75 HHWATAP	4
49	710205	NUT, 5/16-18 WDFLLK (15X88)	4
50	94951	SPEED REDUCER	1
51	138485	WASHER, EXLK .320X.61X.03	1



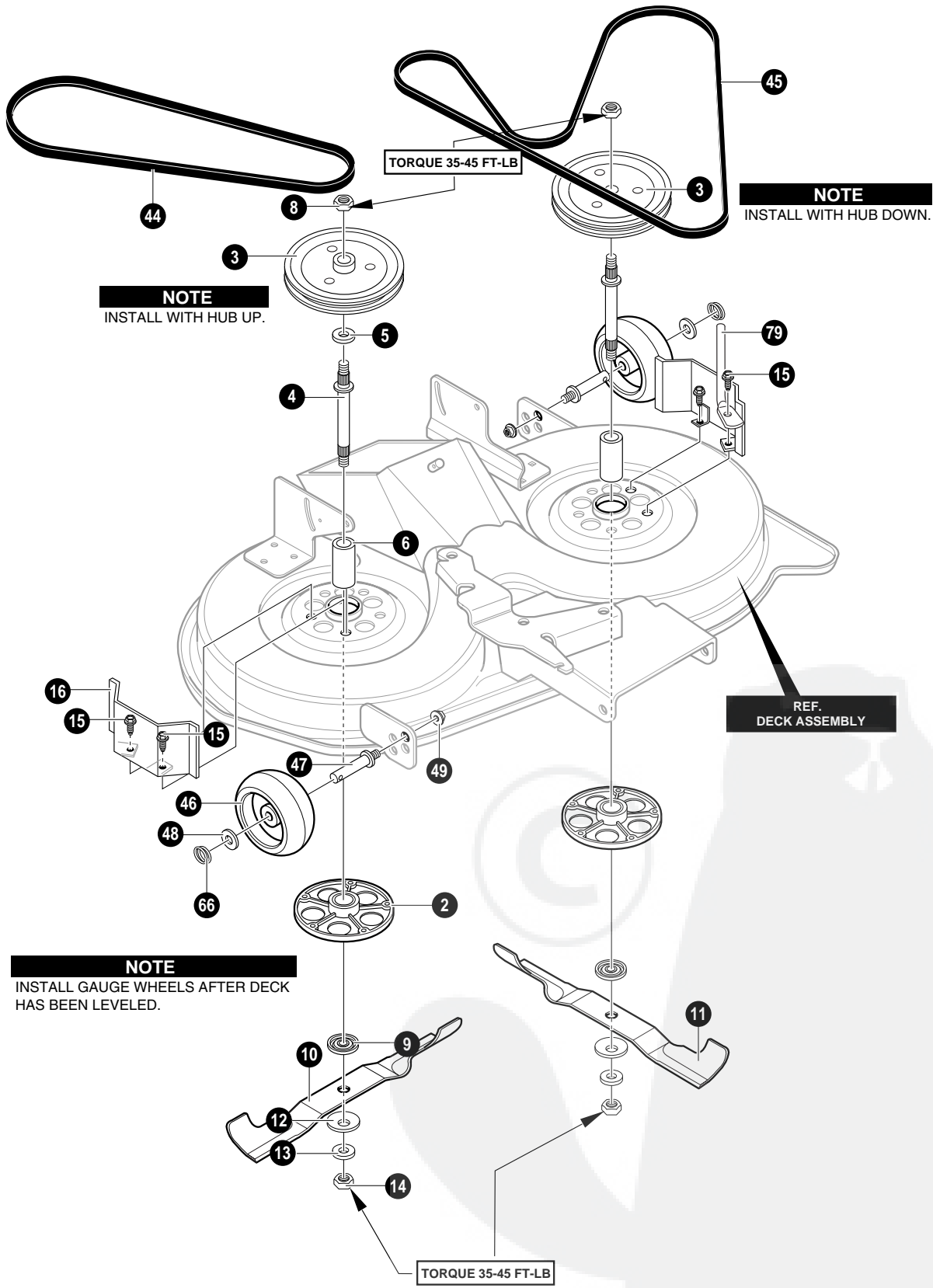


NOTE: ALWAYS USE ORIGINAL EQUIPMENT PARTS. Use of service/replacement parts other than original equipment parts may void your warranty.

ALL UNNUMBERED ITEMS ARE INTERCHANGEABLE WITH OPPOSITE SIDE

340977C

KEY NO.	PART NO.	DESCRIPTION	QTY
1	94303-821	WELD ASSEMBLY DECK	1
15	710265	SCREW, 3/8-16X1.00 WAHHSPTAPPL	10
17	94665-821	BRAKE ARM ASSEMBLY LH	1
17-1	94293	BRAKE SUPPORT ASSEMBLY LH	1
17-2	94291	BRAKE ARM ASSEMBLY LH	1
17-3	710110	SPRING, TORSION (166X27)	1
17-4	710205	NUT, 5/16-18 WDFLLK (15X88)	1
21	94277	LINK, BRAKE LH	1
23	21920	NUT,ADJ. 3/8-16TAP	1
24	94664-821	BRAKE ARM ASSEMBLY RH	1
24-1	94294	BRAKE SUPPORT ASSEMBLY RH	1
24-2	94292	BRAKE ARM ASSEMBLY RH	1
24-3	710077	SPRING, TORSION	1
24-4	710205	NUT, 5/16-18 WDFLLK (15X88)	1
28	94274	GUIDE, BELT REBA	1
29	710114	SCREW,5/16-18 .50HHTAP	3
30	710098	BOLT.50X.75 HSH 3/8-16Z 9X39	1
31	94261-821	ARM, DOUBLE IDLER	1
32	710140	NUT,3/8-16HWDFLLK MACK 15X84	1
33	94279	PULLEY, IDLER DOUBLE VEE	1
34	94269	SPACER, REBA DECK	1
35	180138	SCREW, 3/8-16X3.00 HHC	1
36	94973-821	IDLER ARM ASSEMBLY	1
36-1	94312	SPRING,-GUIDE BELT	1
36-2	710264	SCREW, 1/4-20X.50 WAHHTAP	1
37	710098	BOLT.50X.75 HSH 3/8-16Z 9X39	1
38	94278	LINK, BRAKE RH	1
39	316079	WASHER, FLAT .406X .82X.040	1
40	710343	PIN, HAIR .038 DIA X1.64LG	3
41	94280	PULLEY, V IDLER 4"	1
42	710140	NUT,3/8-16HWDFLLK MACK 15X84	1
43	710234	SPRING, EXTN 5.40X.714OD	1
50	341593-821	PLATE - SUSPENSION ASSY	1
50-1	94128	PLATE - SUSPENSION	1
50-2	94055	SUSPENSION BRKT REAR	1
50-3	710095	SHOULDER BOLT 3/8-16 (9X52)	1
50-4	710140	NUT, 3/8-16 MACK (15X84)	1
51	710094	BOLT, SHOULDER .375 (9X51)	2
52	710112	SPRING,TORSION .68LG RH (166X42)	1
53	710113	SPRING,TORSION .68LG LH (166X43)	1
54	710140	NUT,3/8-16HWDFLLK MACK (15X84)	2
55	94068	KNOB	2
56	94137	PAD, FRICTION	2
57	710195	WASHER (17X45)	2
58	94064	PIN, HANGER	2
59	710116	WASHER,FLAT.550X1.00X11 (17X103 )	2
60	710343	PIN, HAIR	2
61	341594-821	ASM. PLATE REAR SUS BRKT LH	1
61-1	94128	PLATE - SUSPENSION	1
61-2	94055	SUSPENSION BRKT REAR	1
61-3	710095	SHOULDER BOLT 3/8-16 (9X52)	1
61-4	710140	NUT, 3/8-16 MACK (15X84)	1
64	710233	SPRING, EXTN 4.20X.75OD	1
65	94275	GUIDE BELT	2
66	710930	PIN, CIRCLE	2
70	94058-821	BRACKET, FRT SUSPENSION	1
71	710094	BOLT, SHOULDER .375 (9X51)	2
72	710140	NUT,3/8-16HWDFLLK MACK (15X84)	2
73	94158	ZINC ROD, HANGER	1
74	710108	PIN, HAIR (31X4)	1
75	95057-821	STIFFENER, FRONT HANGER	1
76	710079	SCREW, 5/16-18X.75 HHWATAP	4
77	710658	SPRING, EXTENSION	1
78	996416	WASHER, FLAT .391X1.00X.125	1

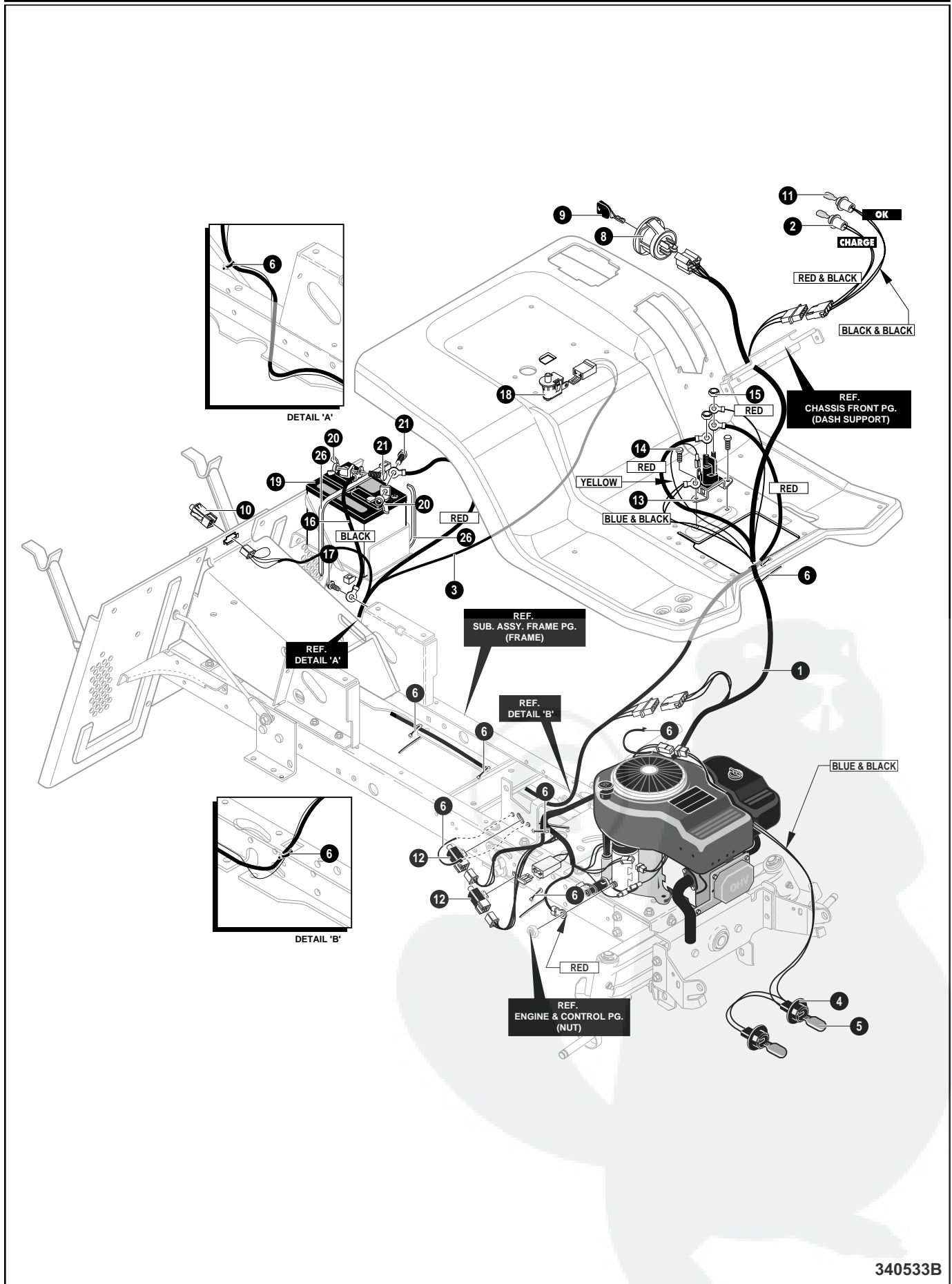


NOTE: ALWAYS USE ORIGINAL EQUIPMENT PARTS. Use of service/replacement parts other than original equipment parts may void your warranty.

ALL UNNUMBERED ITEMS ARE INTERCHANGEABLE WITH OPPOSITE SIDE

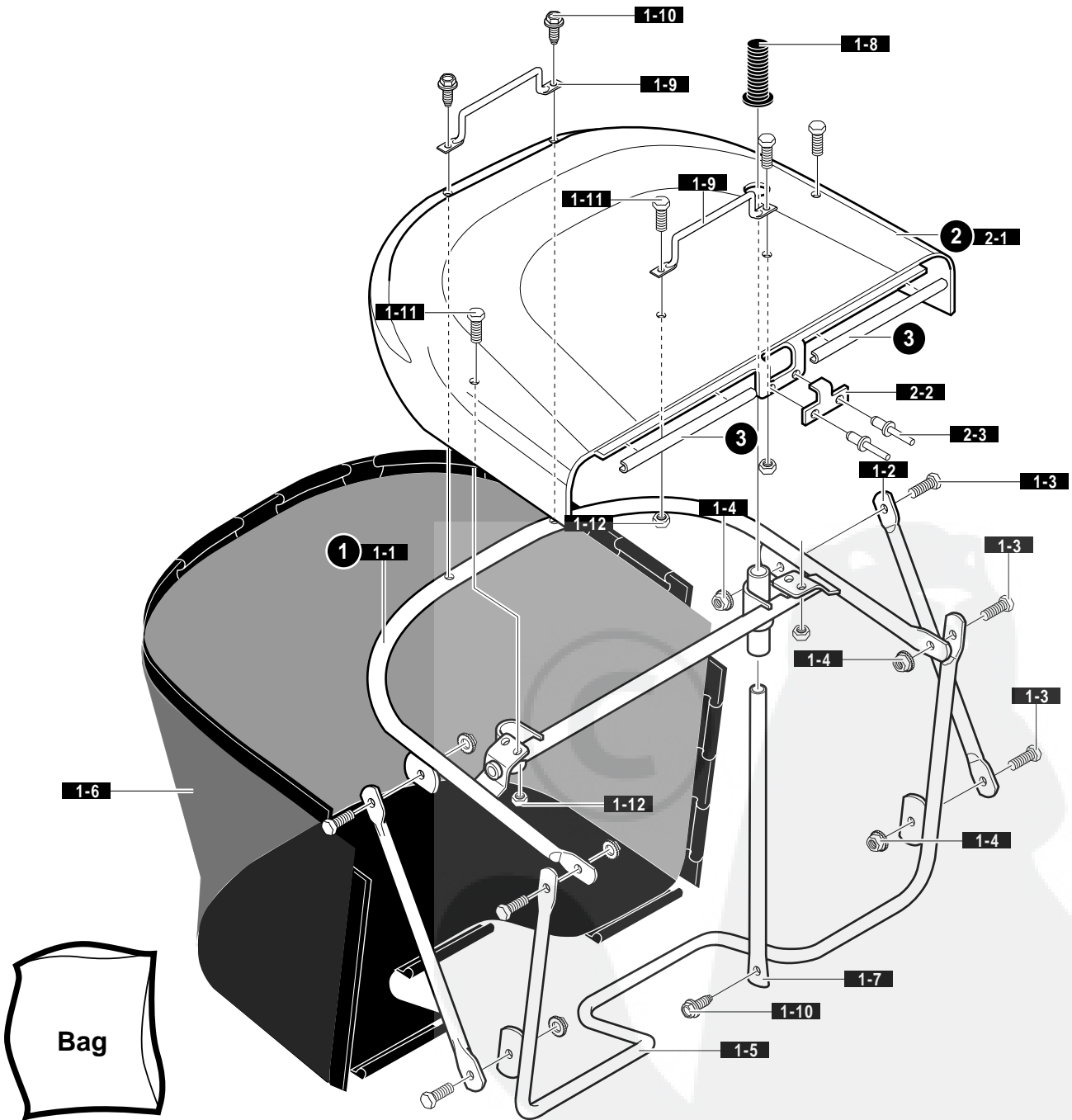
340977C

KEY NO.	PART NO.	DESCRIPTION	QTY
2	94305	ASM.JACKSHAFT HOUSING W/VENTS	2
3	92425	PULLEY, DECK REBA	2
4	91922	JACKSHAFT, 7.76LG-9/16-18TH	2
5	710117	WASHER,FLAT .625X1.00X.188	1
6	91903	SPACER	2
8	710408	NUT, 9/16-18 CTLK (15X101)	2
9	94207	ADAPTER, DECK/BLADE	2
10	94208	BLADE, 40" RH REAR DISCHARGE	1
11	94209	BLADE, 40" LH REAR DISCHARGE	1
12	710118	WASHER, FLAT.625X1.75 17X166	2
13	710117	WASHER,FLAT .625X1.00X.188	2
14	710408	NUT, 9/16 REGHEX	2
15	710265	SCREW, 3/8-16X1.00 WAHHSPTAPPL	10
16	94288-821	COVER PULLEY	2
44	710231	BELT, V	1
45	710232	BELT, V- 40" DECK	1
46	92683	GAUGE WHEEL,4.94 DIA.	2
47	94025	BOLT, SPSH 3/8-16X.63SH3.00LG	2
48	710115	WASH ER,FLAT.518X.87X16 17X102	2
49	710140	NUT,3/8-16HWDFLK MACK 15X84	2
79	92116	ZINC ROD BELT GUIDE	1



KEY NO.	PART NO.	DESCRIPTION	QTY
1	94745	HARNESS 14BS OHVL,H25,REBA,SUS1	1
2	94740	HARNESS ADAPTER,OK/CHARGE IL	1
3	94742	HARNESS, REAR-BATTERY REBA	1
4	303064	ASSY,LIGHT WIRE-1/4 TURN	1
5	52572	BULB, HEADLAMP	2
6	57444	TIE, CABLE BLACK NYLON 5.62L	5
8	94762	SWITCH, IGNITION DELTA 7 TERM	1
9	327350	KEY,IGNITION GENERIC DELTA	1
10	320082	SWITCH,DOUBLE POLE NO/NC GRAY	1
11	57769	BULB, INDICATOR	2
12	94136	SWITCH LIMIT DELTA	2
13	94613	SOLENOID	1
14	710133	SCREW,HHWATAP 1/4X.50	2
15	710203	NUT, 1/4-20 HEXNYL 15X116	2
16	95420	WIRE, GROUND, 20.0"	1
17	710133	SCREW,HHWATAP 1/4X.50	1
18	94159	SWITCH, SEAT	1
19	302257	BATTERY 12V 7 PLATE	1
20	710225	NUT,WING 1/4-20 (14X79)	2
21	710226	BOLT, 1/4-20X.63 CARR. (2X82)	2
	302031	FUSE 15 AMP	1





KEY NO.	PART NO.	DESCRIPTION	QTY
1	94560	ASM.GRASS COLLECTOR REBA	1
1-1	94849	ASSY., UPPER FRAME	1
1-2	94850	BRACE, FRAME COLLECTOR REBA	2
1-3	180020	SCREW, 1/4-20X.75	6
1-4	780029	NUT, 1/4-20 HEX NYLOCK #71035	6
1-5	94851	ASSY., FRONT FRAME REBA COLLECT	1
1-6	94852	BAG, REBA COLLECTOR	1
1-7	94853	HANDLE, DUMP REBA COLLECT.	1
1-8	94854	RUBBER GRIP 7/8" REBA	1
1-9	94855	HANDLE, REBA COLLECTOR	2
1-10	710266	SCREW, 10-24X.38 SLHWATAP	2
1-11	318139	SCREW, 1/4-20X.63PHPNHD	4
1-12	782585	NUT, 1/4-20 REGHEXCTRLK	4
2	94908-860	TOP COLLECTOR ASSY.	1
2-1	94206	TOP COVER COLLECTOR	1
2-2	94244	BRACKET, SWITCH	1
2-3		POP RIVET (NON SERVICEABLE PART)	
3	55023	TRIM	22 IN.