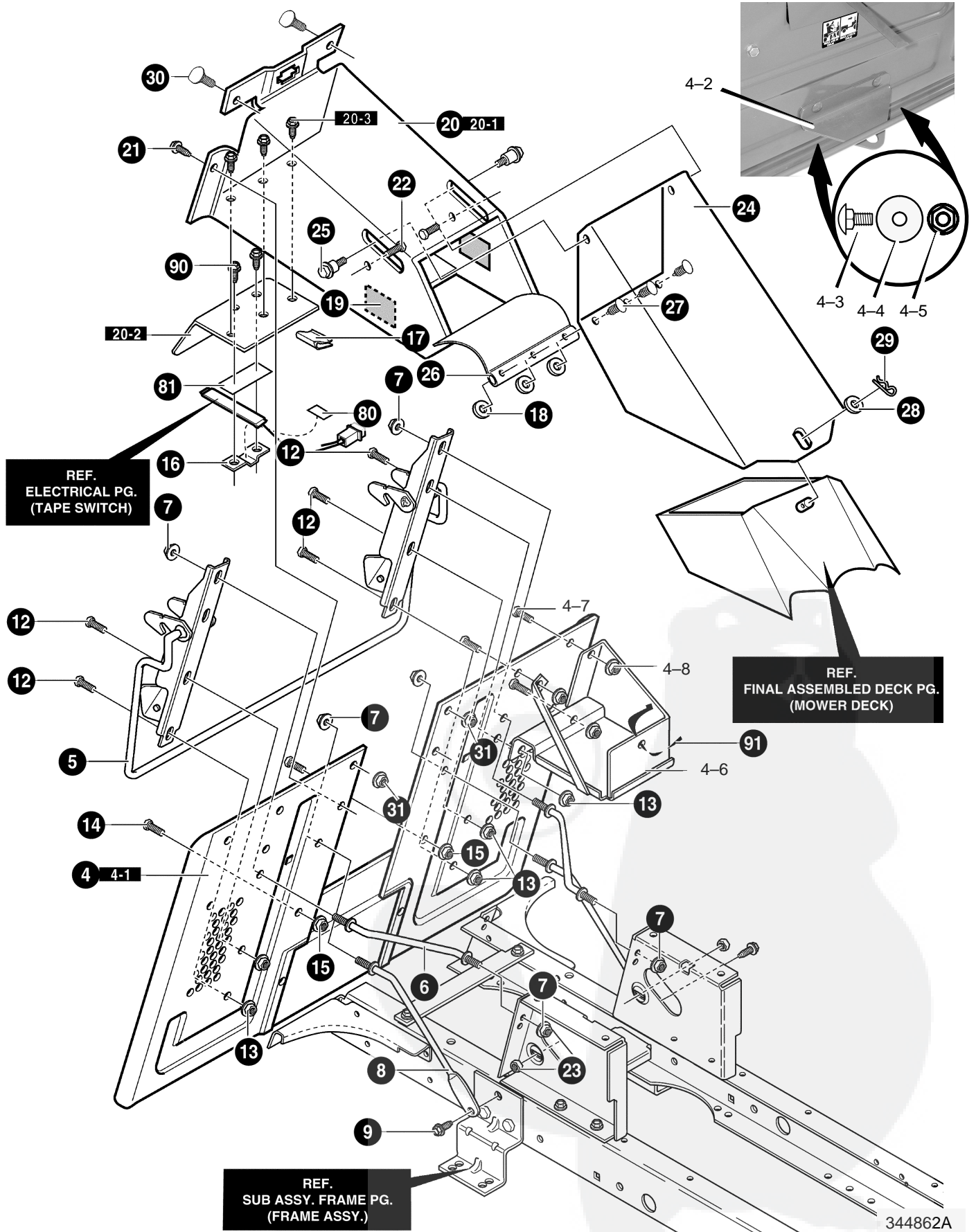


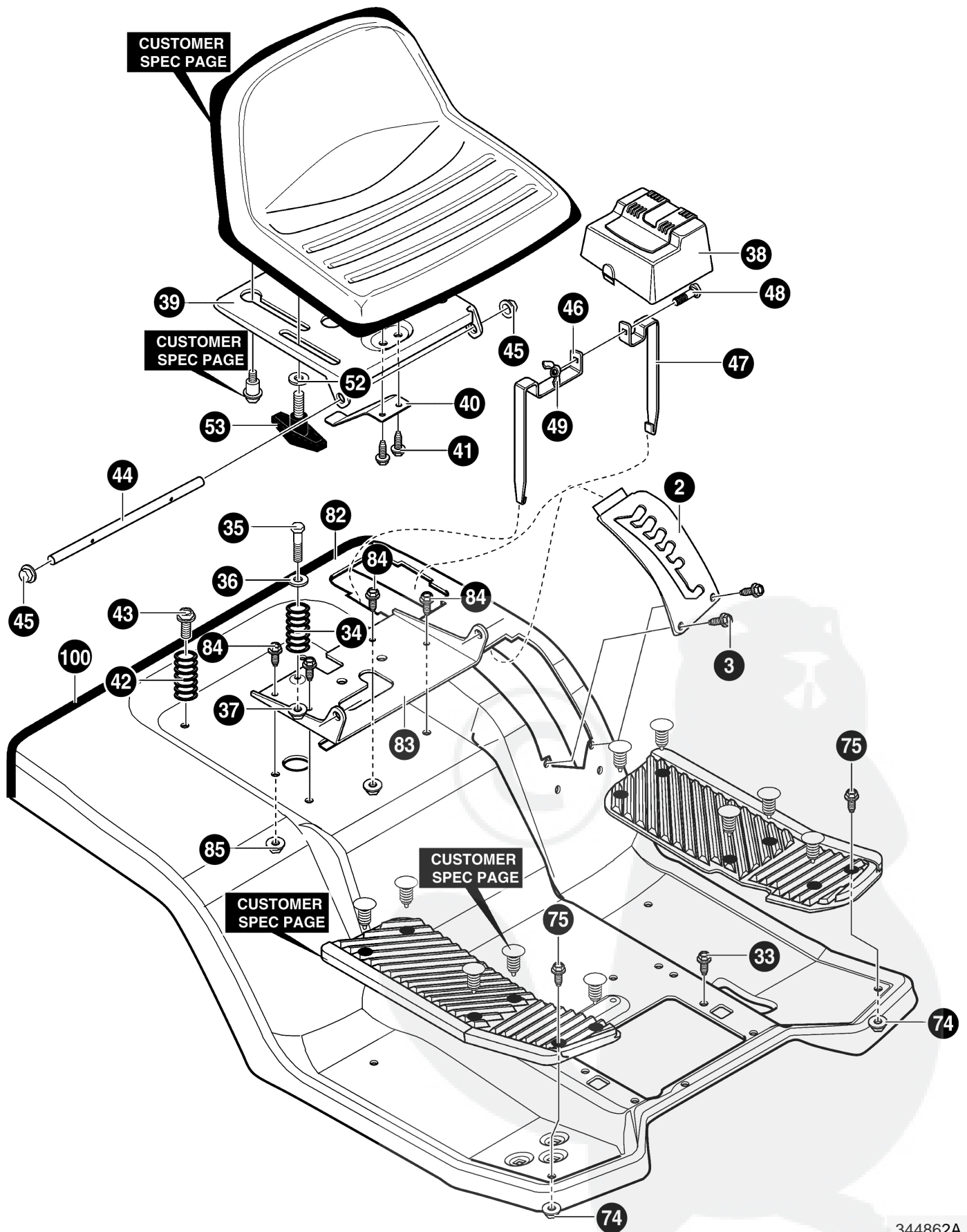
| <b>Key No.</b> | <b>Description</b>            | <b>Part No.</b> |
|----------------|-------------------------------|-----------------|
| 1              | Support, Grille RH            | 94082-853       |
| 2              | Support, Grille LH            | 94083-853       |
| 3              | Screw, 5/16-18x.75            | 711606          |
| 4              | Dash                          | 94074-884       |
| 5              | Screw, 10-24x.500             | 711629          |
| 6              | Steering Bracket              | 94075           |
| 7              | Screw, 1/4-14x.50             | 710197          |
| 8              | Accesss Panel                 | 95366-884       |
| 9              | Screw, 10-24x.500             | 711629          |
| 10             | Dash Support                  | 95318-884       |
| 11             | Screw, 5/16-18x.75            | 711606          |
| 12             | Hood                          | 690608F-884     |
| 13             | Grille                        | 94079-884       |
| 14             | Screw, 10-24x.500             | 711629          |
| 15             | Lens, RH                      | 94080           |
| 16             | Lens, LH                      | 94081           |
| 17             | Reflector, Headlight          | 94807           |
| 18             | Reflector, Headlight          | 94807           |
| 19             | Bolt, Shoulder                | 711611          |
| 20             | Nut, 3/8-16 Hwdfllk Whiz      | 711622          |
| 21             | Bellows, Steering Post        | 92059           |
| 22             | Bumper                        | 94744           |
| —              | Instruction Book & Parts List | F-010770J       |

# MODEL 40373x68A

# REPAIR PARTS REAR CHASSIS

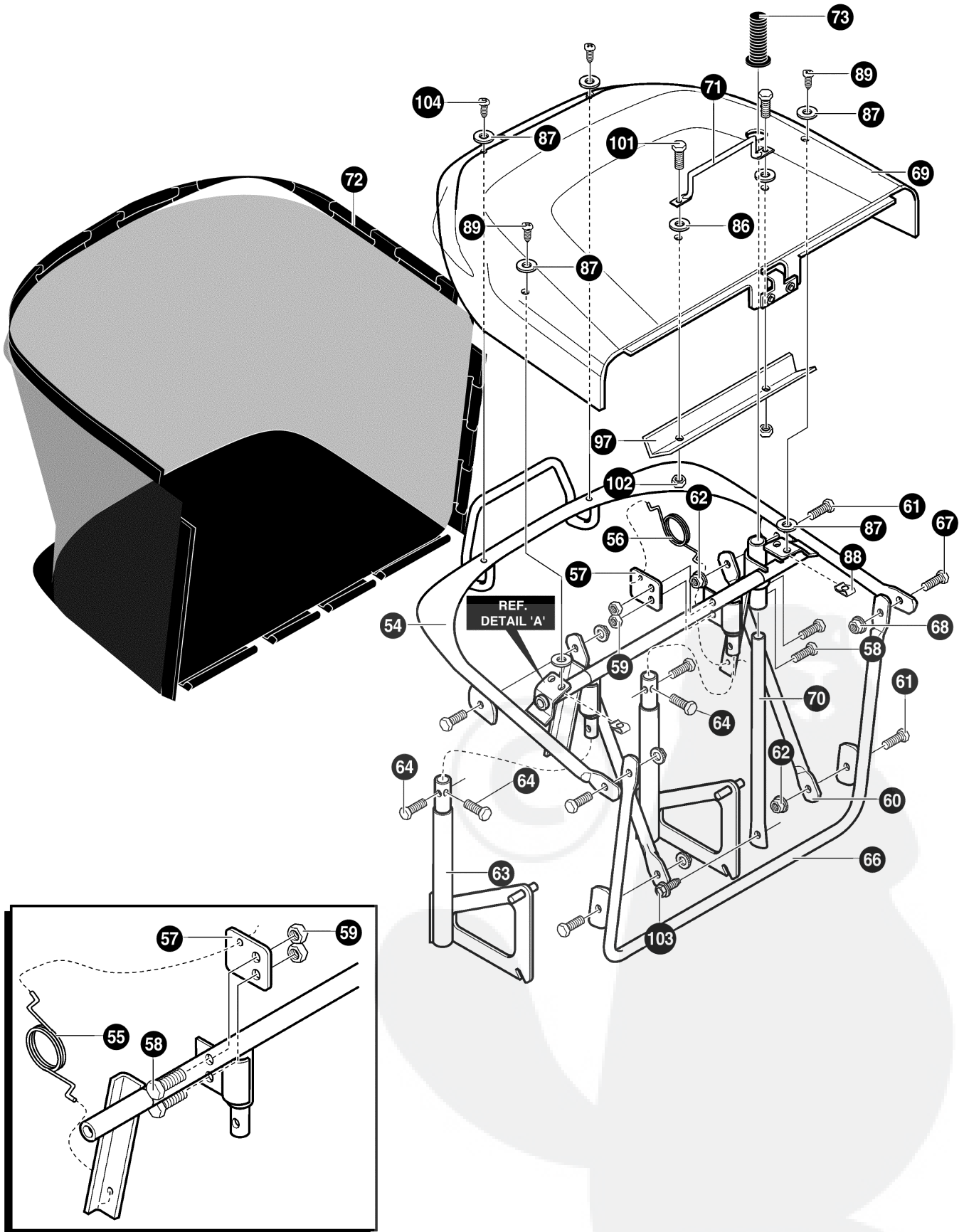


| Key No. | Description                     | Part No.    |
|---------|---------------------------------|-------------|
| 4       | ASSY, BACK PLATE/BATTERY        | 1001068-853 |
| 4-1     | ASM. BACKPLATE, ONE PIECE       | 1001030     |
| 4-2     | HITCH, FLAT BACK PLATE          | 1001063     |
| 4-3     | BOLT, CARRIAGE                  | 340720      |
| 4-4     | NUT, HEX                        | 710026      |
| 4-5     | WASHER, FLAT                    | 711921      |
| 4-6     | BATTERY TRAY ASM.               | 94563       |
| 4-7     | SCREW, 5/16-18X.50 HHC          | 180073      |
| 4-8     | NUT, 5/16-18 HEXWDFLLK WHIZ     | 15X79       |
| 5       | WELDMENT-LATCH LEVER            | 95359-853   |
| 6       | ROD, BRACE                      | 690097      |
| 7       | NUT, 3/8-16 HWDFL WHIZ-LOCK     | 711906      |
| 8       | ROD, BRACE                      | 94231       |
| 9       | SCREW, 5/16-18X.75 HHWATAP      | 711606      |
| 12      | SCREW 5/16-18X.75 WDFLW         | 9357        |
| 13      | NUT, 5/16-18 HEXWDFLLK WHIZ     | 710026      |
| 14      | SCREW 5/16-18X.75 HHWATAP       | 711606      |
| 15      | NUT, 5/16-18 HEXWDFLLK WHIZ     | 710026      |
| 16      | BRACKET, FLEX SWITCH MOUNTING   | 690245      |
| 17      | WIRE CLIP, ADHESIVE             | 55939       |
| 18      | FLATWASHER, .250X.56X.047       | 711666      |
| 19      | PAD, ADHESIVE 1.00X1.50X.12     | 318197      |
| 20      | ASM., T/A SHIELD & UPPER CHUTE  | 690102-853  |
| 20-1    | CHUTE WELD ASM. UPPER           | 94350       |
| 20-2    | SHIELD, TRANSAXLE               | 95367       |
| 20-3    | SCREW, 1/4-20X.63 HHWATAP       | 711642      |
| 21      | SCREW, 5/16-18X.75 HHC          | 711606      |
| 22      | BOLT, 5/16-18X.75 CARR          | 340720      |
| 23      | NUT, 5/16-18 HEXWDFLLK WHIZ     | 710026      |
| 24      | MIDDLE CHUTE ASSY               | 94296-853   |
| 25      | BOLT, SHOULDER, 3/8-16          | 9X57        |
| 26      | FLAP, CHUTE                     | 94264       |
| 27      | FASTENER, RATCHET               | 309235      |
| 28      | FLATWASHER                      | 711617      |
| 29      | PIN, HAIR .38DIAX1.64LG         | 711682      |
| 30      | BOLT, 5/16-18X.75 CARR.         | 340720      |
| 31      | NUT, 5/16-18 HEXWDFLLK WHIZ     | 710026      |
| 80      | TAPE, DOUBLE SIDED FOAM 3/4" WD | 712009      |
| 81      | TAPE, DOUBLE SIDED FOAM 3/4" WD | 712009      |
| 90      | SCREW, 1/4-20X.63 HHWATAP       | 711642      |
| 91      | CABLE TIE                       | 57444       |



| Key No. | Description                   | Part No.   |
|---------|-------------------------------|------------|
| 2       | PLATE-LIFT DETENT 5 POS, REBA | 95190-853  |
| 3       | SCREW, #12X.50                | 711741     |
| 34      | SPRING, COMP. 4.57LGX1.17     | 710136-853 |
| 35      | BOLT, SHOULD 1/4-20           | 711610     |
| 36      | ZINC WASHER CUP               | 95293      |
| 37      | NUT, CTRLK 1/4-20             | 302635     |
| 38      | COVER, BATTERY                | 94200      |
| 39      | SUPPORT, SEAT                 | 94154-884  |
| 40      | SPRING-LEAF                   | 94057      |
| 41      | SCREW, 1/4-20X.50             | 711592     |
| 42      | SPRING, COMP 2.43LG           | 710109-853 |
| 43      | SCREW, 5/16-18X.75            | 711606     |
| 44      | ZINC HINGE SEAT PIVOT         | 95294      |
| 45      | NUT, PUSH CAP .375            | 711627     |
| 46      | BATTERY BRACKET L.H.          | 95393-853  |
| 47      | BATTERY BRACKET R.H.          | 95394-853  |
| 48      | BOLT, 1/4-20X.63 CARR.        | 711680     |
| 49      | NUT, WING 1/4-20              | 711636     |
| 52      | WASHER, FLAT .344X.62X.06     | 711644     |
| 53      | BOLT, WING 5/160-18X.50       | 711747     |
| 74      | NUT, 5/16-18 HEX              | 710026     |
| 75      | BOLT, 5/16-18X.75 CARR.       | 711891     |
| 82      | SEAT DECK PEDAL HYDRO         | 94311-884  |
| 83      | BRACKET, SEAT PIVOT           | 94153-884  |
| 84      | SCREW, 5/16-18X.75            | 711606     |
| 85      | NUT, 5/16-18 HWDFLLK          | 711634     |
| 100     | TRIM, STRIP                   | 55021      |

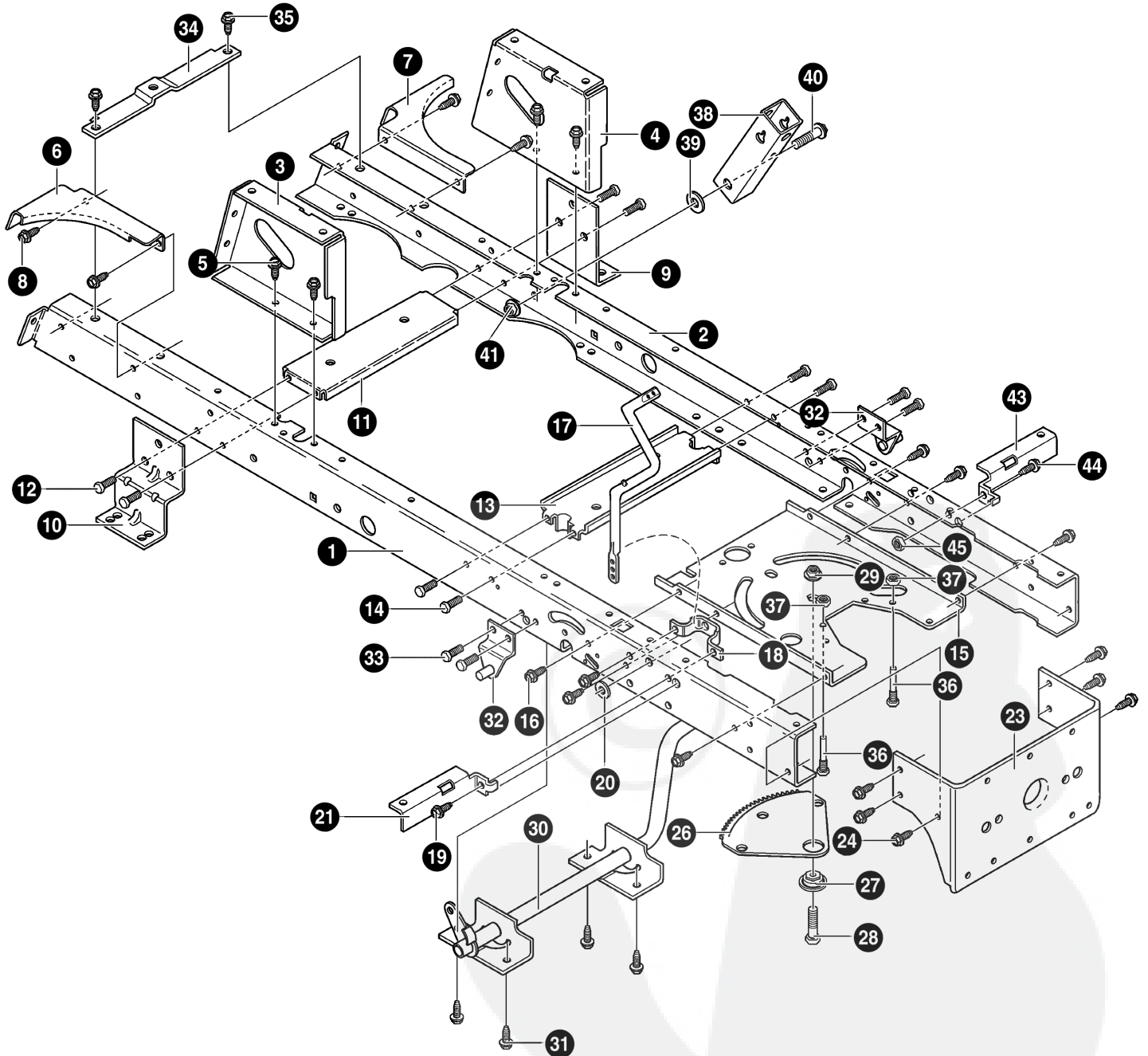




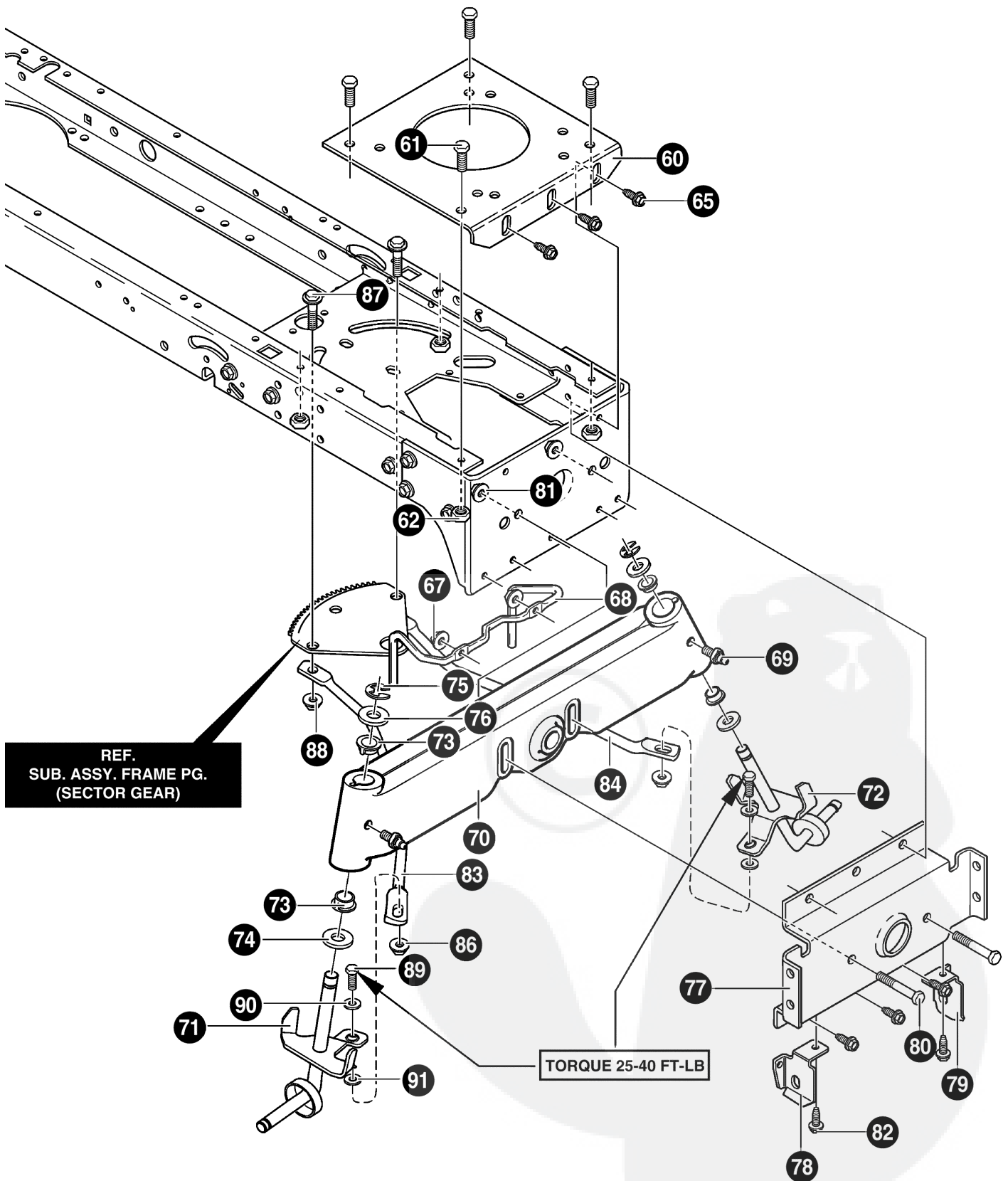
DETAIL 'A'

| <b>Key No.</b> | <b>Description</b>           | <b>Part No.</b> |
|----------------|------------------------------|-----------------|
| 54             | ASM. WLD- UPPER FRAME        | 690044-853      |
| 55             | SPRING, TORSION RH BAG CLOSE | 690003          |
| 56             | SPRING, TORSION LH BAG CLOSE | 690004          |
| 57             | BRACKET, SPRING COLLECTOR    | 95339-853       |
| 58             | SCREW, 1/4-20X.62            | 711909          |
| 59             | NUT, 1/4-20                  | 303008          |
| 60             | BRACE, FRAME COLLECTOR       | 94850-853       |
| 61             | SCREW, 1/4-20X.62            | 711909          |
| 62             | NUT, 1/4-20                  | 303008          |
| 63             | ASM. SUPPORT COLLECTOR       | 95343-853       |
| 64             | SCREW, 5/16-18X1.50          | 711653          |
| 66             | ASM., FRONT FRAME COLLECT    | 95349-853       |
| 67             | SCREW, 1/4-20X.62            | 711909          |
| 68             | NUT, 1/4-20                  | 711632          |
| 69             | TOP COLLECTOR ASM.           | 94908-884       |
| 70             | HANDLE, DUMP REBA COLLECTOR  | 690019          |
| 71             | HANDLE, REBA COLLECTOR       | 690506-853      |
| 72             | REBA COLLECTOR BAG           | 95389           |
| 73             | RUBBER GRIP                  | 94854           |
| 85             | NUT, 5/16-18                 | 711634          |
| 86             | WASHER, .281X1.25X.06        | 712129          |
| 87             | WASHER, FLAT                 | 711921          |
| 88             | NUT, 1/4-20 TINN U           | 578107          |
| 89             | SCREW, 1/4-20X.63            | 711674          |
| 97             | BRACE, BAGGER                | 690010-853      |
| 101            | SCREW, 1/4-20X1.50           | 712068          |
| 102            | NUT, 1/4-20                  | 711632          |
| 103            | SCREW, #12X.50               | 711741          |
| 104            | SCREW, #12X.50               | 711741          |

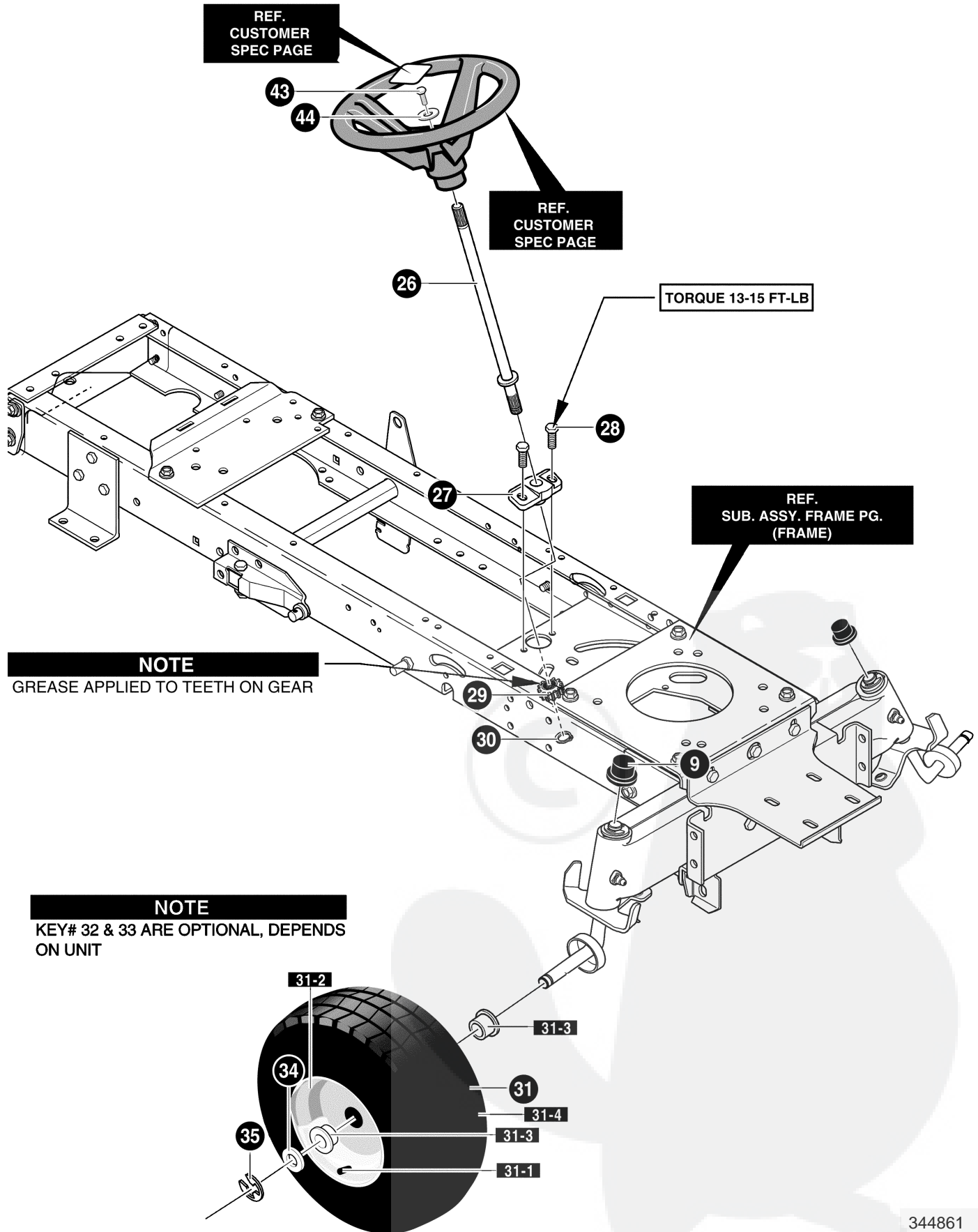




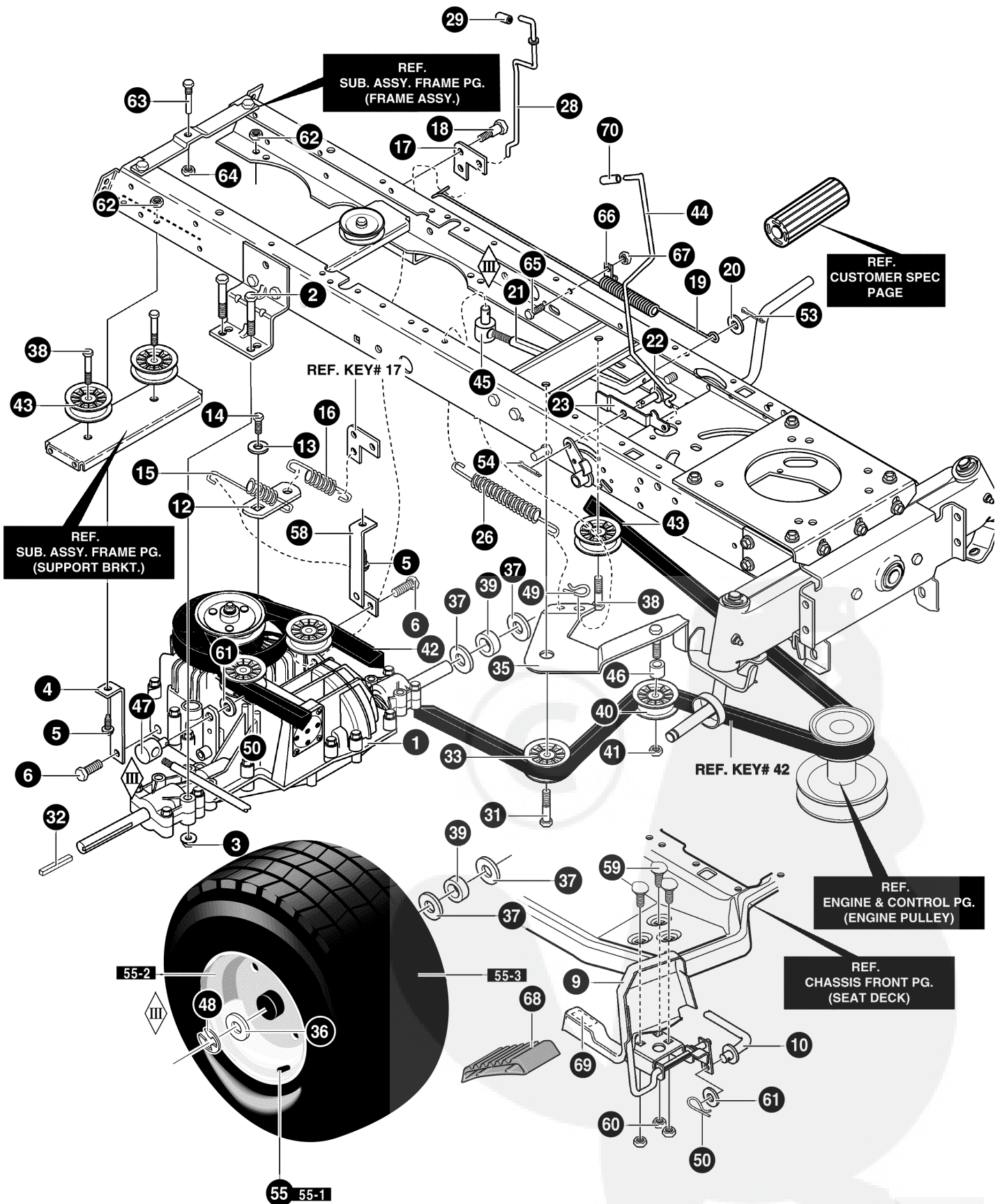
| Key No. | Description                   | Part No. |
|---------|-------------------------------|----------|
| 1       | FRAME, RAIL RH                | 94564    |
| 2       | FRAME, RAIL LH                | 94565    |
| 3       | SUPPORT, SEAT RH              | 94634    |
| 4       | SUPPORT, SEAT LH              | 94633    |
| 5       | SCREW, 5/16-18X.75HHWATAP     | 710079   |
| 6       | BRACE, BACKPLATE RH           | 94561    |
| 7       | BRACE, BACKPLATE LH           | 94562    |
| 8       | SCREW, 5/16-18X.75HHWATAP     | 710079   |
| 9       | BRACKET, TRANSAXLE            | 94008    |
| 10      | BRACKET, T/A RH-VST LH-MS     | 94234    |
| 11      | ASM., IDLER MOUNT, REAR       | 94236    |
| 12      | SCREW, 5/16-18X.75HHWATAP     | 710079   |
| 13      | ASM. IDLER MOUNT FRONT        | 94237    |
| 14      | SCREW, 5/16-18X.75HHWATAP     | 710079   |
| 15      | PLATE, STEERING MOUNTING      | 690551   |
| 16      | SCREW, 5/16-18X.75HHWATAP     | 710079   |
| 17      | CRANK, PTO DRILLED            | 690394   |
| 18      | BRACKET, BELL CRANK           | 94005    |
| 19      | SCREW, 5/16-18X.75HHWATAP     | 710079   |
| 20      | WASHER, FLAT .469X.92X.065    | 120395   |
| 21      | BRACKET, SEAT DECK LH         | 690035   |
| 23      | BRACKET HANGER REAR           | 94013    |
| 24      | SCREW, 5/16-18X.75HHWATAP     | 710079   |
| 26      | GEAR, SECTOR                  | 94121    |
| 27      | BEARING, SECTOR GEAR          | 94123    |
| 28      | SCREW 5/16-18X1.00            | 710312   |
| 29      | NUT, 5/16-18 HEXKEPS          | 710105   |
| 30      | ASM., CLUTCH/BRAKE PEDAL STD. | 94241    |
| 31      | SCREW, 5/16-18X.75HHWATAP     | 710079   |
| 32      | BRACKET, SUSPENSION ASM.      | 94285    |
| 33      | SCREW, 5/16-18X.75HHWATAP     | 710079   |
| 34      | BRACE, RAIL                   | 94566    |
| 35      | SCREW, 5/16-18X.75HHWATAP     | 710079   |
| 36      | ZINC SCRW GUIDE 5/16-18       | 93349    |
| 37      | NUT, 5/16-18 HEXWDFLLK WHIZ   | 710204   |
| 38      | BRACKET, PIVOT                | 94015    |
| 39      | WASHER, FLAT .390X1.25X.119   | 845      |
| 40      | BOLT, .562X1.563 HSH 3/8-16   | 710000   |
| 41      | NUT, 3/8-16 HWDFLLK MACK      | 710140   |
| 43      | BRACKET, SEAT DECK LH         | 690036   |
| 44      | SCREW, 5/16-18X.75HHWATAP     | 710079   |
| 45      | NUT, 5/16-18 HEXWDFLLK WHIZ   | 710204   |



| Key No. | Description             | Part No. |
|---------|-------------------------|----------|
| 60      | PLATE, ENGINE           | 94006    |
| 61      | SCREW, 5/16-18X.75      | 26X249   |
| 62      | NUT, 5/16-18            | 15X88    |
| 65      | SCREW, 5/16-18X.75      | 26X249   |
| 67      | NUT, 5/16-18 HEX        | 15X79    |
| 68      | GUIDE-STACK PULLEY BELT | 94310    |
| 69      | ZERK, GREASE FITTING    | 706      |
| 70      | AXLE, CAST MACHINED     | 95405    |
| 71      | SPINDLE, LONG RH        | 95182    |
| 72      | SPINDLE, LONG LH        | 95183    |
| 73      | BEARING, SPINDLE        | 92527    |
| 74      | WASHER                  | 17X113   |
| 75      | E-RING                  | 11X3     |
| 76      | WASHER, FLAT            | 17X195   |
| 77      | HANGER, AXLE            | 94007    |
| 78      | HANGER, DECK RH         | 690199   |
| 79      | HANGER, DECK LH         | 690198   |
| 80      | SCREW 5/16-18X3.00      | 180113   |
| 81      | NUT, 5/16-18            | 15X88    |
| 82      | SCREW, 5/16-18X.75      | 26X249   |
| 83      | DRAG LINK LH            | 95329    |
| 84      | DRAG LINK RH            | 95328    |
| 86      | NUT, 3/8-16             | 15X84    |
| 87      | BOLT, HHSH              | 9X57     |
| 88      | NUT, 3/8-16             | 15X84    |
| 89      | SCREW, 3/8-16X1.50      | 1X111    |
| 90      | WASHER, FLAT            | 17X104   |
| 91      | WASHER, FLAT            | 17X53    |



| Key No. | Description             | Part No. |
|---------|-------------------------|----------|
| 9       | DUST HUB CAP            | 94618    |
| 26      | SHAFT, STEERING BOLT ON | 94520    |
| 27      | BEARING--LOWER          | 94124    |
| 28      | SCREW, 5/16--18X.75     | 711606   |
| 29      | GEAR PINNION            | 94122    |
| 30      | RING, RET E.            | 710102   |
| 31      | TIRE & RIM 15X6.00-6    | 692641   |
| 31-1    | VALVE STEM              | 338512   |
| 31-2    | RIM                     | 338517   |
| 31-3    | BEARING                 | 338513   |
| 31-4    | TIRE 15X6.00-6          | 338514   |
| 34      | WASHER, FLAT            | 711758   |
| 35      | E-RING                  | 11X3     |
| 43      | SCREW, 1/4-20X.75       | 711719   |
| 44      | FLATWASHER              | 711663   |



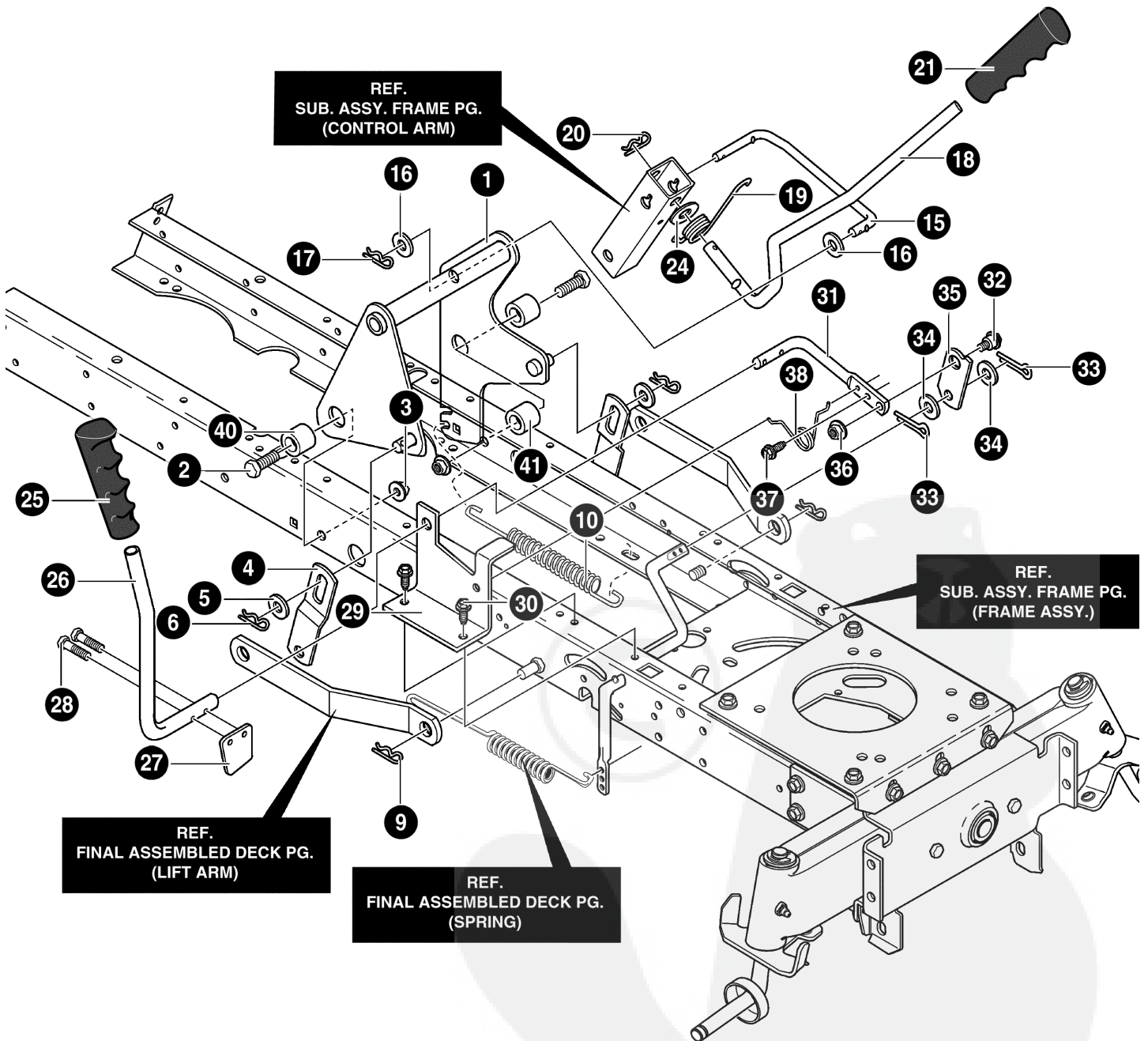


# MODEL 40373x68A

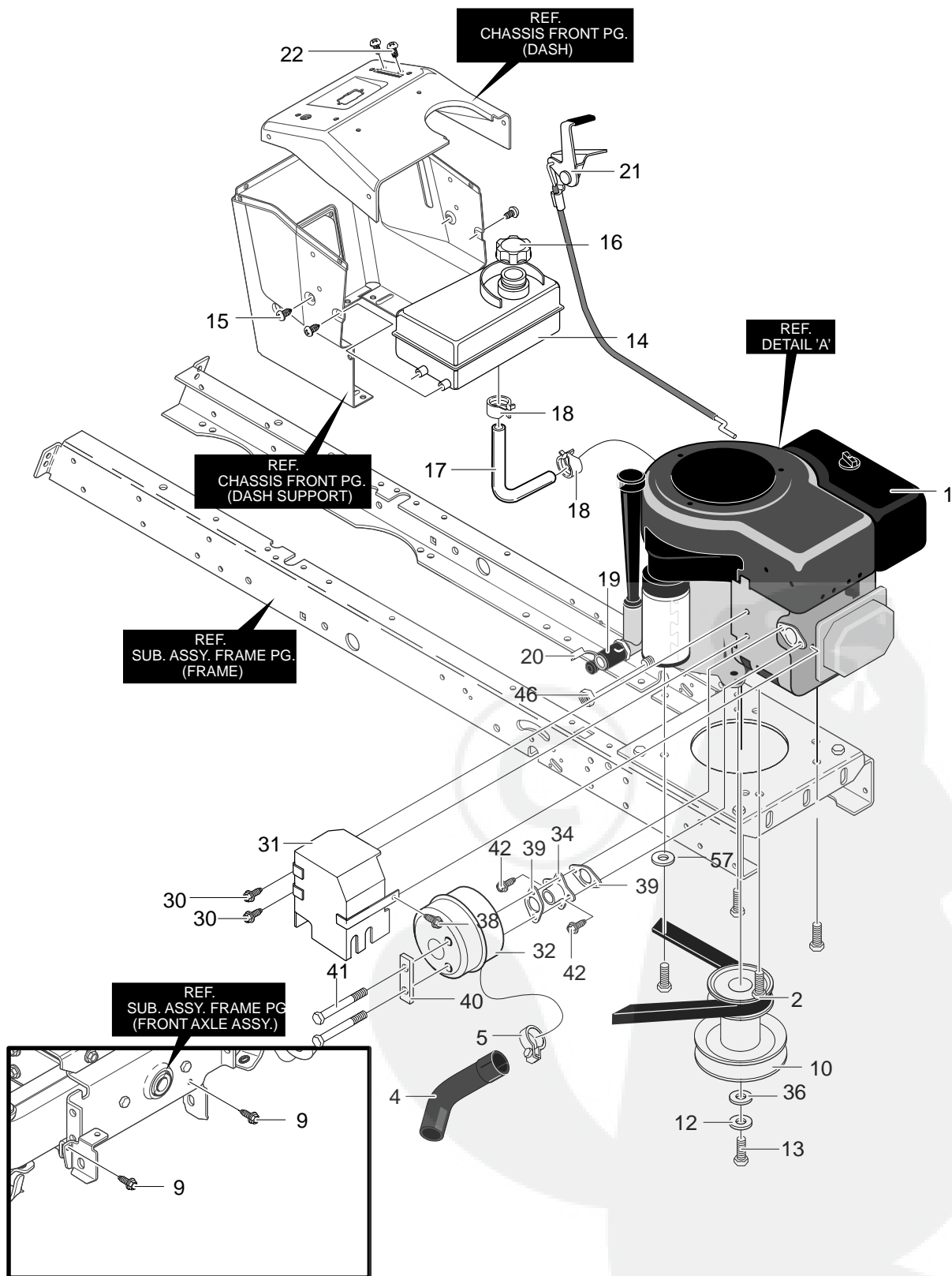
# REPAIR PARTS DRIVE ASSEMBLY

| Key No. | Description                | Part No.   | Key No. | Description              | Part No.  |
|---------|----------------------------|------------|---------|--------------------------|-----------|
| 1       | PEERLESS HYDRO MST206-512A | —          | 40      | PULLEY, IDLER 2.75 DIA   | 690409    |
| 2       | SCREW, 5/16-18X2.50        | 711669     | 41      | NUT, 3/8-16              | 711920    |
| 3       | NUT, 5/16-18               | 711634     | 42      | BELT, V4L 112.75         | 94609     |
| 4       | STABILIZER BRACKET         | 94224-853  | 43      | PULLEY, IDLER            | 1001065   |
| 5       | SCREW, 5/16-18X1.0         | 711893     | 44      | PARK BRAKE CONTROL ROD   | 690047    |
| 6       | SCREW, 5/16-18X.75         | 710268     | 45      | SPACER 1/2 TO 17MM       | 690369    |
| 9       | PEDAL ASSY. HYDRO          | 690134-853 | 46      | ROD, SHIFT               | 690027    |
| 10      | ROD, FOOT CONTROL          | 690018     | 47      | ADJUST NUT 1/2-13        | 711594    |
| 12      | BRKT, SHIFT                | 323212     | 48      | E-RING                   | 11X3      |
| 13      | WASHER, TRANSAXLE          | 711895     | 49      | PIN, HAIR                | 711659    |
| 14      | SCREW, 1/4-28X.750         | 1X145      | 50      | PIN, HAIR                | 711676    |
| 15      | SPRING, TRANSAXLE          | 94622      | 53      | COTTER PIN               | 71081     |
| 16      | SPRING                     | 326780     | 54      | COTTER PIN               | 71081     |
| 17      | BRACKET, DISCONNECT LEVER  | 94621-853  | 55      | TIRE & RIM ASSY          | 692290    |
| 18      | BOLT, HSH 5/16-18          | 711896     | 55-1    | VALVE STEM               | 338512    |
| 19      | SPRING, BRAKE              | 95424      | 55-2    | RIM                      | 338524    |
| 20      | WASHER, FLAT               | 711921     | 55-3    | TIRE 20X8X8              | 338526    |
| 21      | ROD, CLUTCH                | 690016     | 58      | ASM., BRACKET STABILIZER | 94225-853 |
| 22      | PIN, CLEVIS                | 711903     | 59      | BOLT, 5/16-18X.75 CARR.  | 711688    |
| 23      | ZINC LATCH, PARK BRAKE     | 95290      | 60      | NUT, 5/16-18 HEX         | 710026    |
| 26      | SPRING, TENSION            | 711522     | 61      | WASHER, FLAT             | 711894    |
| 28      | ROD, DISCONNECT CONTROL    | 690015     | 62      | NUT, 5/16-18X.75         | 710026    |
| 29      | GRIP, HYDRO DISCONNECT     | 690032     | 63      | SCREW GUIDE              | 711745    |
| 31      | SCREW, 3/8-16X1.25         | 711905     | 64      | NUT, 5/16-18             | 710026    |
| 32      | KEY, SQUARE                | 52928      | 65      | SCREW, 1/4-20X.50        | 313686    |
| 33      | PULLEY, IDLER V4L          | 1001065    | 66      | WIRE RETAINER            | 711742    |
| 35      | ASSY., IDLER ARM TRACTION  | 94238-848  | 67      | NUT, 1/4-20              | 780285    |
| 36      | WASHER, FLAT               | 711758     | 68      | PEDAL, PAD SANDPAPER     | 93248     |
| 37      | WASHER, FLAT .755ID        | 711904     | 69      | PAD, TOE SANDPAPER       | 93249     |
| 38      | SCREW, 3/8-16X1.25         | 711905     | 70      | CAP, DUMP VALVE ROD      | 335980    |
| 39      | SPACER .87X1.78            | 95274      |         |                          |           |

\* CONTACT YOUR NEAREST PEERLESS TRANSAXLE DEALER FOR PARTS AND SERVICE.



| <b>Key No.</b> | <b>Description</b>        | <b>Part No.</b> |
|----------------|---------------------------|-----------------|
| 1              | ASM., LIFT ARM            | 95233-853       |
| 2              | SCREW, 1/2-13X1.50        | 711917          |
| 3              | NUT, 1/2-13 LOCK          | 711918          |
| 4              | BRACKET, LIFT LINK        | 94262-853       |
| 5              | WASHER, FLAT              | 711617          |
| 6              | PIN, HAIR                 | 711676          |
| 9              | PIN, HAIR                 | 711676          |
| 10             | SPRING, EXTENSION         | 710235          |
| 15             | LINK-LIFT HANDLE          | 711981          |
| 16             | WASHER, FLAT              | 711617          |
| 17             | PIN, HAIR                 | 711676          |
| 18             | ZINC HANDLE, LIFT         | 690532          |
| 19             | TORSION SPRING            | 710111          |
| 20             | PIN, HAIR                 | 711676          |
| 21             | GRIP, LIFT                | 94497           |
| 24             | WASHER, FLAT              | 711616          |
| 25             | GRIP, PTO 5/8"            | 94496           |
| 26             | PTO HANDLE                | 712033          |
| 27             | ZINC PADDLE, SWITCH       | 95284           |
| 28             | SCREW, THD FORM           | 711621          |
| 29             | BRACKET, PTO              | 94018-853       |
| 30             | SCREW, 5/16-18X.50        | 780055          |
| 31             | ZINC LEVER, PTO           | 95283           |
| 32             | BOLT, .50X.75 HSSH 3/8-16 | 711613          |
| 33             | PIN, HAIR                 | 711659          |
| 34             | WASHER, FLAT              | 711615          |
| 35             | ZINC LINK PTO             | 95282           |
| 36             | NUT, 3/8-16 HWDFLLK MACK  | 711622          |
| 37             | SCREW, 5/16-18X.75        | 711606          |
| 38             | TORSION SPRING            | 710141          |
| 40             | SPACER                    | 94309           |
| 41             | SPACER                    | 56150           |

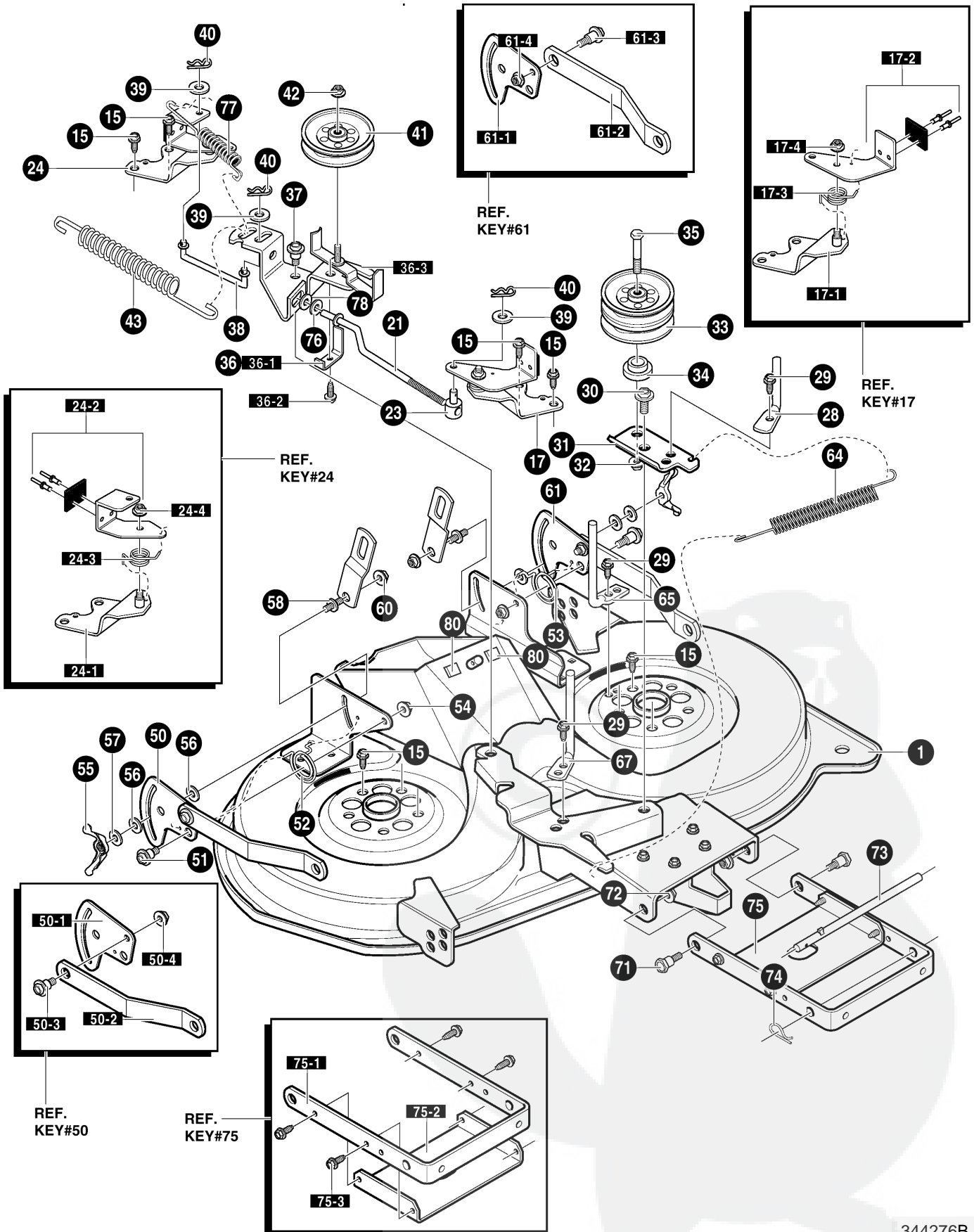


INSET 'A'

| <b>Key No.</b> | <b>Description</b>        | <b>Part No.</b> |
|----------------|---------------------------|-----------------|
| 1              | ENG., 14.5OHV/C W/O MUFF  | 95130           |
| 2              | BOLT-3/8 X 1.25           | 0025X7          |
| 4              | PIPE, EXHAUST 14.5/15.5   | 92559           |
| 5              | CLAMP ASSEMBLY            | 92558           |
| 9              | SCREW                     | 711606          |
| 10             | STACK PULLEY              | 690456          |
| 12             | WASHER                    | 120383          |
| 13             | BOLT, 7/16-20 X 1.75      | 1X169           |
| 14             | FUEL TANK 1.4 GALLON      | 94073           |
| 15             | SCREW                     | 711681          |
| 16             | FUEL CAP                  | 92317           |
| 17             | TUBING                    | 47452           |
| 18             | CLAMP, FUEL LINE          | 336890          |
| 19             | OIL DRAIN VALVE ASSEMBLY  | 325547          |
| 20             | CAP,OIL DRAIN VALVE ASM.Y | 327422          |
| 21             | THROTTLE, CONTROL         | 94361           |
| 22             | SCREW                     | 711637          |
| 30             | SCREW                     | 712099          |
| 31             | HEAT SHIELD ASSY          | 94324           |
| 32             | MUFFLER, ROUND            | 95206           |
| 34             | MUFFLER ADAPTER           | 95207           |
| 36             | WASHER                    | 17X170          |
| 38             | SCRW                      | 711642          |
| 39             | GASKET, MUFFLER           | 91309           |
| 40             | BRACKET, LOCK (92378)     | 92378           |
| 41             | BOLT                      | 712100          |
| 42             | SCREW                     | 06X103          |
| 46             | NUT                       | 711601          |
| 57             | WASHER                    | 711668          |

# MODEL 40373x68A

# REPAIR PARTS BLADE HOUSING ASSEMBLY



# MODEL 40373x68A

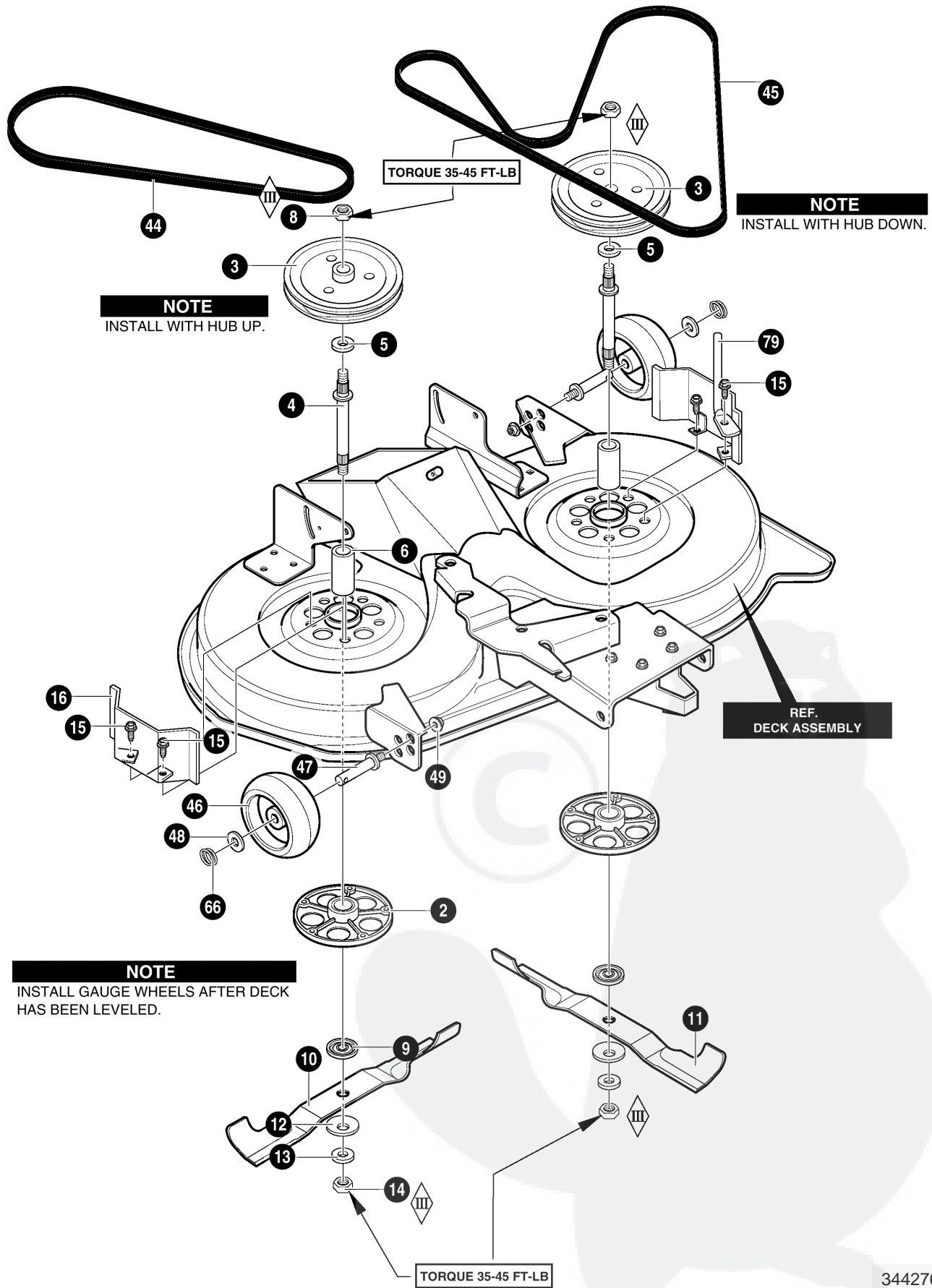
# REPAIR PARTS BLADE HOUSING ASSEMBLY

| Key No. | Description                    | Part No.   | Key No. | Description                   | Part No.   |
|---------|--------------------------------|------------|---------|-------------------------------|------------|
| 1       | MOWER DECK REBA                | 690109-853 | 50-1    | PLATE-SUSPENSION              | 94128      |
| 15      | SCREW, 3/8-16X1.00             | 711911     | 50-2    | SUSPENSION BRKT REAR          | 94055      |
| 17      | BRAKE ARM ASSEMBLY LH          | 94665-853  | 50-3    | BOLT, SHOULDER 3/8-16         | 710095     |
| 17-1    | BRAKE SUPPORT ASSEMBLY LH      | 94293      | 50-4    | NUT, 3/8-16                   | 710140     |
| 17-2    | BRAKE ARM ASSEMBLY LH          | 94291      | 51      | BOLT, SHOULDER .375           | 711611     |
| 17-3    | SPRING, TORSION                | 710110     | 52      | SPRING, TORSION .68LG RH      | 710112     |
| 17-4    | NUT, 5/16-18                   | 710205     | 53      | SPRING, TORSION .68LG LH      | 710113     |
| 21      | LINK, BRAKE LH                 | 690021     | 54      | NUT, 3/8-16                   | 711622     |
| 23      | NUT, ADJUSTING                 | 711591     | 55      | WINGNUT                       | 711600     |
| 24      | BRAKE ARM ASSEMBLY RH          | 94664-853  | 56      | PAD, FRICTION                 | 94137      |
| 24-1    | BRAKE SUPPORT ASSEMBLY RH      | 94294      | 57      | WASHER                        | 711628     |
| 24-2    | BRAKE ARM ASSEMBLY RH          | 94292      | 58      | PIN, HANGER                   | 711595     |
| 24-3    | SPRING, TORSION                | 710077     | 60      | NUT, 3/8-16                   | 711622     |
| 24-4    | NUT, 5/16-18 WDFLLK            | 710205     | 61      | ASM. PLATE, REAR SUS. BRKT LH | 690159-853 |
| 28      | BELT GUIDE                     | 711912     | 61-1    | PLATE - SUSPENSION            | 94128      |
| 29      | SCREW, 5/16-18X.50             | 780055     | 61-2    | SUSPENSION BRKT REAR          | 94055      |
| 30      | BOLT, .50X.75 HSSH 3/8-16      | 711613     | 61-3    | BOLT, SHOULDER 3/8-16         | 710095     |
| 31      | ARM, DOUBLE IDLER              | 94261-853  | 61-4    | NUT, 3/8-16                   | 710140     |
| 32      | NUT, 3/8-16                    | 711622     | 64      | SPRING, EXTENSION             | 710233     |
| 33      | PULLEY, IDLER DOUBLE VEE       | 94279      | 65      | GUIDE, BELT                   | 711913     |
| 34      | SPACER, DECK                   | 94269      | 67      | GUIDE, BELT                   | 690030     |
| 35      | SCREW, 3/8-16X3.00             | 711915     | 71      | BOLT, SHOULDER .375           | 711611     |
| 36      | IDLER ARM ASSY                 | 94973-853  | 72      | NUT, 3/8-16                   | 711622     |
| 36-1    | SPRING-BELT GUIDE              | 94312      | 73      | ZINC ROD, HANGER              | 95295      |
| 36-2    | SCREW 1/4-20X.50               | 710264     | 74      | PIN, HAIR                     | 711676     |
| 36-3    | IDLER ARM ASSEMBLY             | 94298      | 75      | SUB. ASM. BRKT & STIFFNER     | 690058-853 |
| 37      | BOLT, .50X.75 HSSH 3/8-16      | 711613     | 75-1    | BRACKET, FRONT SUSPENSION     | 94058      |
| 38      | LINK, BRAKE RH                 | 690023     | 75-2    | STIFFENER, DECK               | 95057      |
| 39      | WASHER, FLAT                   | 712480     | 75-3    | SCREW, 5/16-18X.75            | 710079     |
| 40      | PIN, HAIR                      | 711682     | 76      | WASHER, FLAT                  | 583409     |
| 41      | PULLEY, V IDLER 4"             | 690024     | 77      | SPRING, EXTENSION 1.94LG      | 710658     |
| 42      | NUT, 3/8-16                    | 711622     | 78      | WASHER, FLAT INSULATE         | 712480     |
| 43      | SPRING, EXTENSION              | 710234     | 80      | PAD, ADHESIVE                 | 318197     |
| 50      | ASM. PLATE, REAR SUS. BRKT, RH | 690158-853 |         |                               |            |

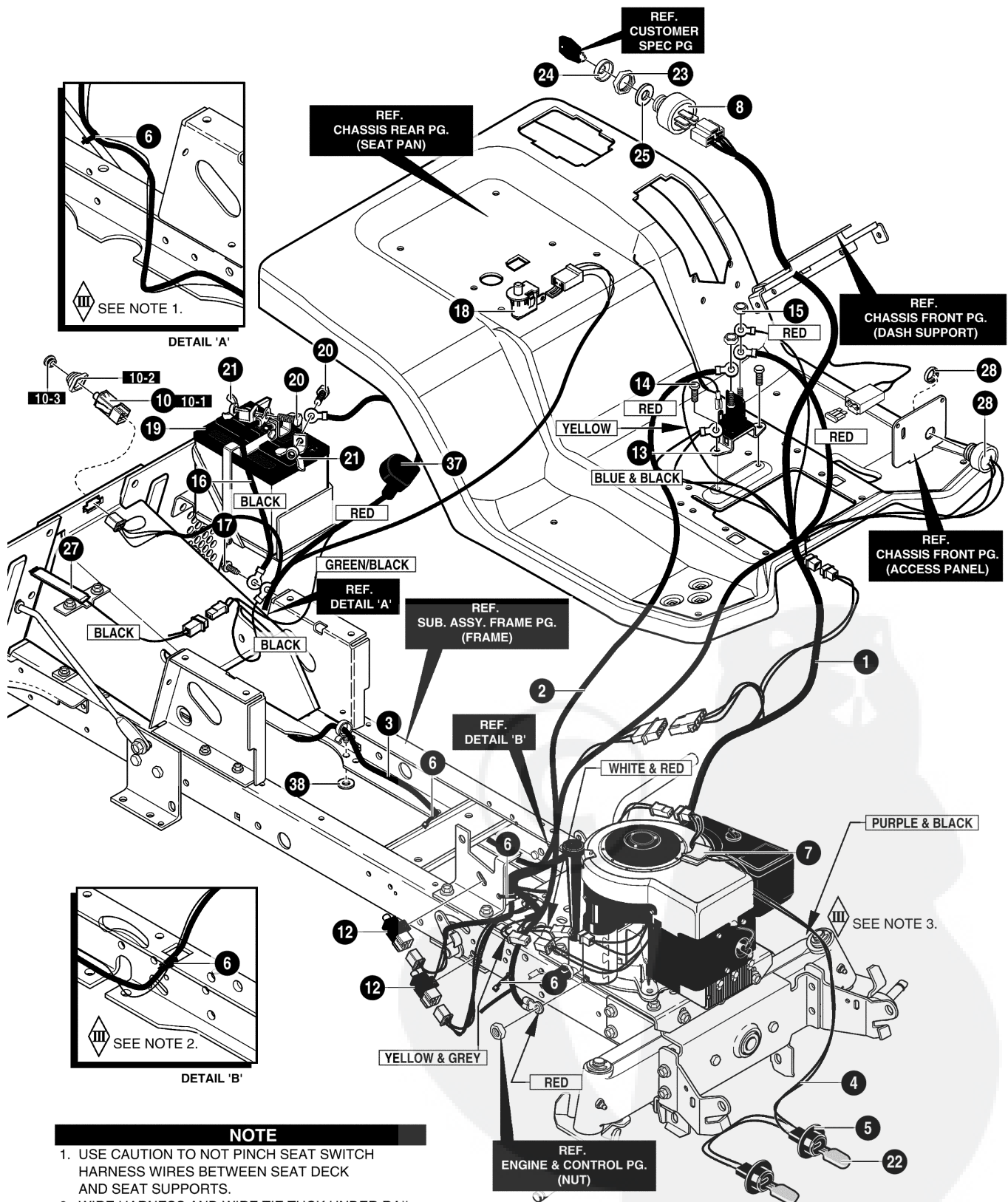


# MODEL 40373x68A

# REPAIR PARTS BLADES & BELTS

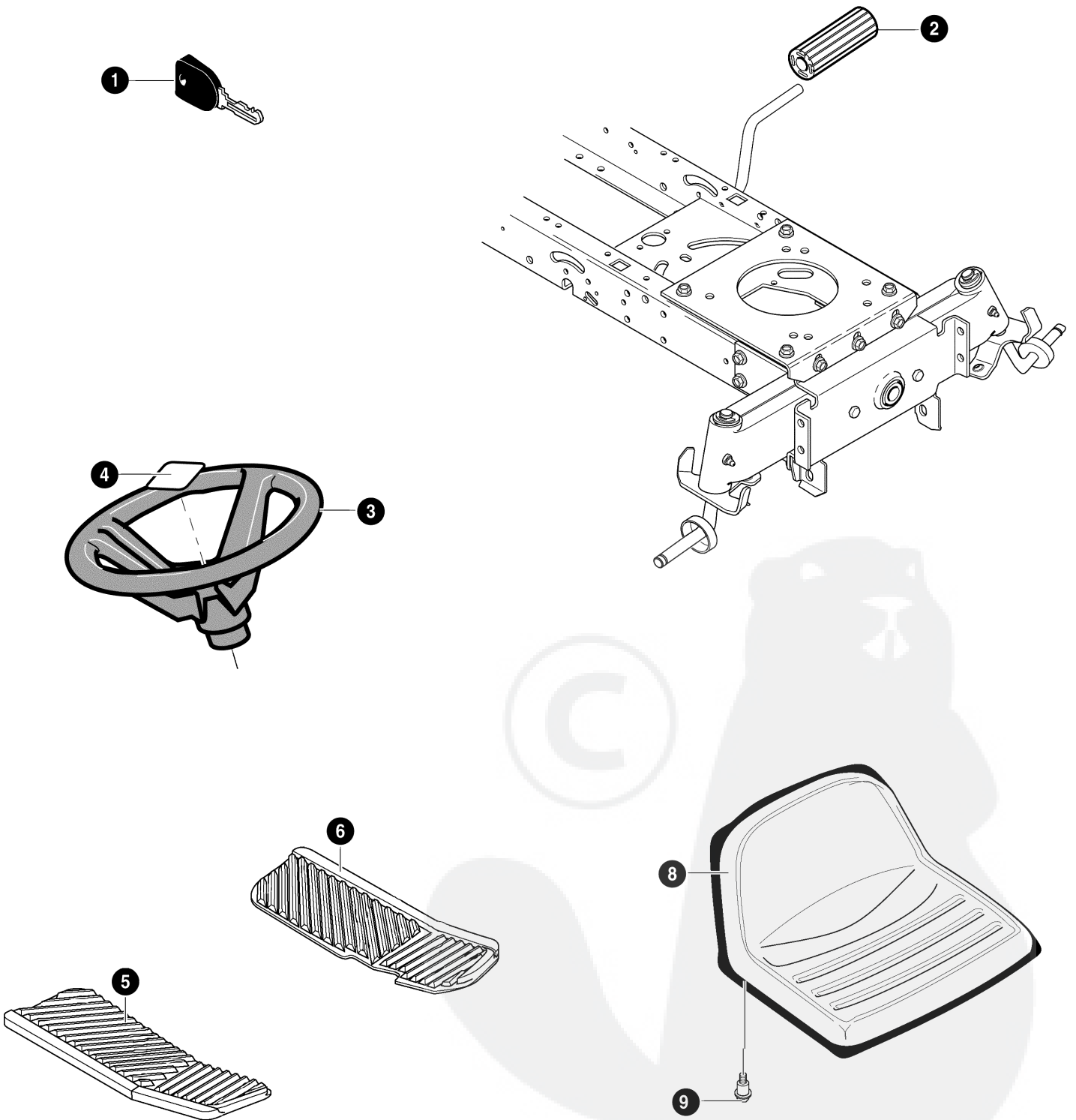


| Key No. | Description                    | Part No.  |
|---------|--------------------------------|-----------|
| 2       | ASM. JACKSHAFT HOUSING W/VENTS | 94305     |
| 3       | PULLEY, DECK                   | 690020    |
| 4       | JACKSHAFT                      | 91922     |
| 5       | WASHER, FLAT                   | 17X165    |
| 6       | SPACER                         | 91903     |
| 8       | NUT, 9/16-18 CTRLK             | 711910    |
| 9       | ADAPTER, DECK/BLADE            | 94207     |
| 10      | BLADE LH                       | 690499    |
| 11      | BLADE RH                       | 690500    |
| 12      | WASHER, BELLEVILLE             | 17X166    |
| 13      | WASHER, FLAT                   | 17X165    |
| 14      | NUT, 9/16-18                   | 711910    |
| 15      | SCREW, 3/8-16X1.00             | 711911    |
| 16      | PULLEY COVER                   | 94288-853 |
| 44      | BELT                           | 710231    |
| 45      | BELT, V                        | 690071    |
| 46      | WHEEL, GAUGE                   | 92683     |
| 47      | BOLT                           | 711746    |
| 48      | FLATWASHER                     | 711615    |
| 49      | NUT, 3/8-16                    | 711622    |
| 66      | CIRCLE PIN                     | 711764    |
| 79      | ZINC ROD BELT GUIDE            | 95280     |



- NOTE**
1. USE CAUTION TO NOT PINCH SEAT SWITCH HARNESS WIRES BETWEEN SEAT DECK AND SEAT SUPPORTS.
  2. WIRE HARNESS AND WIRE TIE TUCK UNDER RAIL.
  3. ROUTE HEADLIGHT HARNESS BETWEEN AIR FILTER AND ENGINE COVER. TIE HEADLIGHT HARNESS TO FUEL LINE.

| <b>Key No.</b> | <b>Description</b>          | <b>Part No.</b> |
|----------------|-----------------------------|-----------------|
| 1              | HARNESS, WIRE               | 95380           |
| 2              | WIRE, LEAD SOLENOID TO ST   | 711579          |
| 3              | REAR HARNESS                | 95381           |
| 4              | WIRE HARNESS FOR HEADLIGHTS | 340513          |
| 5              | SOCKET, LAMP                | 92372           |
| 6              | TIE, CABLE BLACK            | 57444           |
| 7              | WIRE CLIP, ADHESIVE         | 55939           |
| 8              | SWITCH, IGNITION            | 94878           |
| 10             | SWITCH, DOUBLE POLE DELTA   | 690106          |
| 12             | SWITCH LIMIT                | 94136           |
| 13             | SOLENOID                    | 94613           |
| 14             | SCREW                       | 711619          |
| 15             | NUT, 1/4-20                 | 711632          |
| 16             | WIRE, GROUND                | 95420           |
| 17             | SCREW                       | 711619          |
| 18             | SWITCH, SEAT                | 94159           |
| 19             | BATTERY 5 PLATE             | 92739           |
| 20             | BOLT                        | 711680          |
| 21             | NUT, WING 1/4-20            | 711636          |
| 22             | BULB, LIGHT                 | 90084           |
| 23             | NUT, 5/8ACME DELTA          | 327352          |
| 24             | BOOT, IGN. SWITCH           | 300194          |
| 25             | WASHER, REGINTLK            | 313683          |
| 27             | TAPE, SWITCH                | 95330           |
| 28             | BUZZER, FOR BAG FULL        | 95391           |
| 37             | BOOT, BATTERY               | 690604          |
| 38             | WASHER, FLAT                | 711666          |



| <b>Key No.</b> | <b>Description</b>     | <b>Part No.</b> |
|----------------|------------------------|-----------------|
| 1              | KEY, IGNITION          | 327350          |
| 2              | COVER, PED, BRAKE      | 21544           |
| 3              | STEERING WHEEL         | 95185           |
| 4              | INSERT, 4-SPOKE        | 711326          |
| 5              | FOOTPAD, RH            | 95409           |
| 6              | FOOTPAD, LH            | 95408           |
| 8              | SEAT, FAUL HI-BACK     | 94163           |
| 9              | BOLT, SHOULDER 5/16-18 | 711740          |

