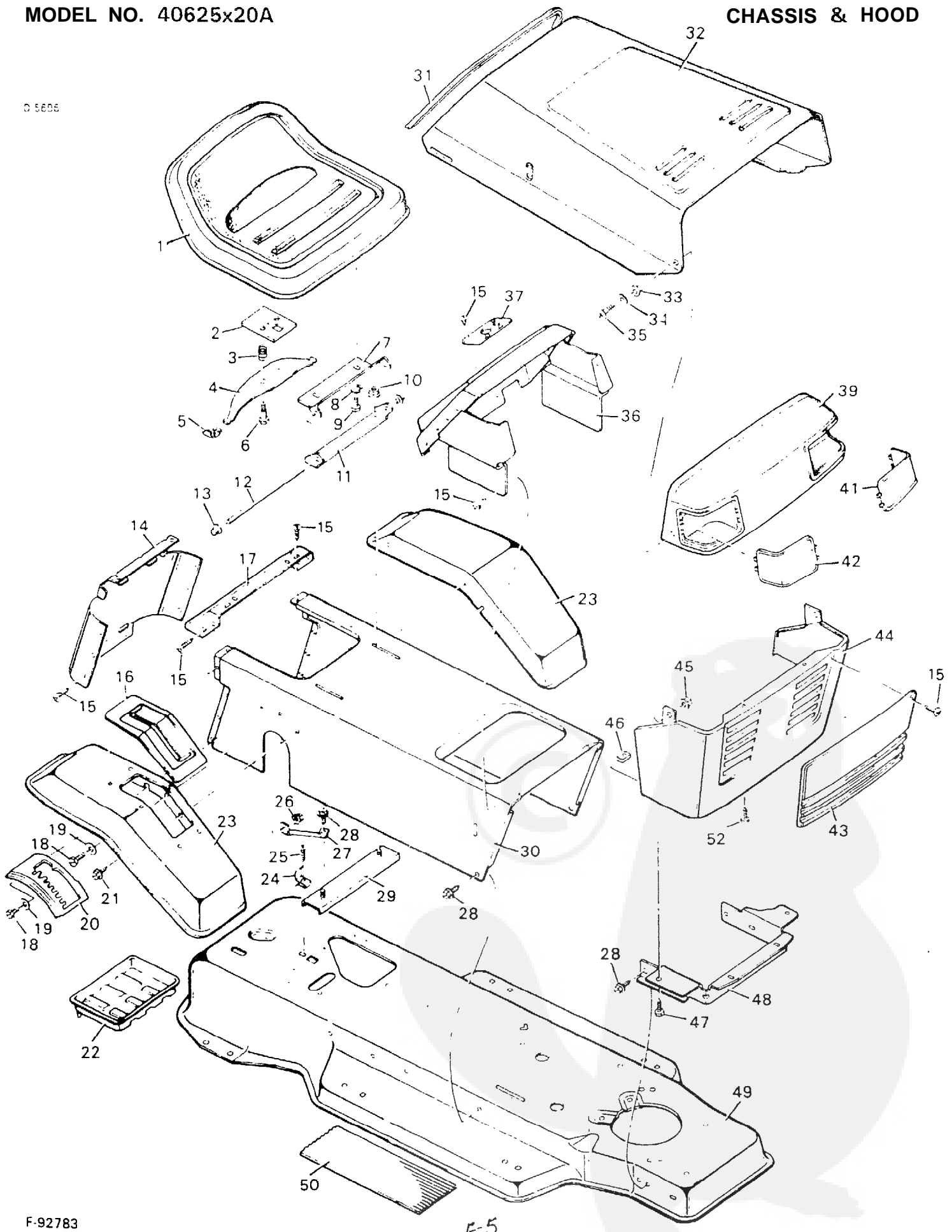


© 5695



MODEL NO. 40625x20A

40" S/D - L/T  
 12.5 B&S ENGINE  
 SOG - 6-SP.  
 PEERLESS TRANSAXLE  
 (930-011)

CHASSIS & HOOD

| KEY NO. | DESCRIPTION            | PART NO.  | KEY NO. | DESCRIPTION                            | PART NO.  |
|---------|------------------------|-----------|---------|--|-----------|
| 1       | Sear                   | 91965     | 31      | Trim, Edge                             | 21765     |
| 2       | Plate Assembly, Switch | 919632    | 32      | Hood Assembly                          | 91852F200 |
| 3       | Spring, Compression    | 164x26    | 33      | Eyelet                                 | 91733     |
| 4       | Spring, Seat           | 91964     | 34      | Washer, Rubber                         | 91751     |
| 5       | Glide, Spring          | 91822     | 35      | Bolt, Shoulder                         | 9 x 3 6   |
| 6       | Bolt, Shoulder         | 9x38      | 36      | Dash Assembly                          | 91858F200 |
| 7       | Support, Seat          | 91728E700 | 37      | Bearing                                | 91759     |
| 8       | Lockwasher             | 18x16     | 39      | Grille, Upper (without Lens)           | 91726     |
| 9       | Bolt, Hex              | 1x45      | --      | Grille Assembly, Upper (includes Lens) | 91736     |
| 10      | Locknut, Flange        | 15x88     | 41      | Lens, Left                             | 91735     |
| 11      | Bracket, Pivot         | 91729E700 | 42      | Lens, Right                            | 91734     |
| 12      | Rod, Pivot             | 91730E700 | 43      | Insert, Grille                         | 91800     |
| 13      | Cap, Push On           | 28x23     | 44      | Grille, Lower                          | 91722F200 |
| 14      | Cap, Console           | 91704F200 | 45      | Locknut, Flange                        | 15x84     |
| 15      | crew, Tap              | 26x250    | 46      | U-Nut                                  | 28x57     |
| 16      | Cover, Shift           | 91905     | 47      | Screw                                  | 25x252    |
| 17      | Fender, Apron          | 91724F200 | 48      | Support, Grille                        | 91723F200 |
| 18      | Bolt, Hex              | 1x38      | 49      | Frame                                  | 91700F200 |
| 19      | Washer                 | 1 7x382   | 50      | Mat                                    | 91900     |
| 20      | Gate, Shift            | 91892Z    | 51      | Fender, Right                          | 91894F200 |
| 21      | Screw                  | 26x263    | 52      | Fsstener, Plastic                      | 193x1     |
| 22      | Tray, Battery          | 91895     | --      | Parts Bag                              | 92010     |
| 23      | Fender, Left           | 91715F200 | --      | Inst. Man.                             | F-92782   |
| 24      | Clip, Battery          | 91941     | --      | Parts List                             | F-92783   |
| 25      | Screw                  | 26x184    | --      | Decal, Left Hood                       | 44x1261   |
| 25      | Locknut                | 15x66     | --      | Decal, Right Hood                      | 44x1262   |
| 27      | Strut, Console         | 91910F200 | --      | Decal, Grille                          | 44x946    |
| 28      | Screw                  | 2 6x249   | --      | Decal, Top Console                     | 44x1947   |
| 29      | Channel Assembly       | 91857E700 | --      | Decal, Rear Console                    | 44x2202   |
| 30      | Console                | 91731F200 | --      | Decal, Right? Console                  | 44x7 60   |
|         |                        |           | --      | Decal, Right? Fender                   | 44x119    |

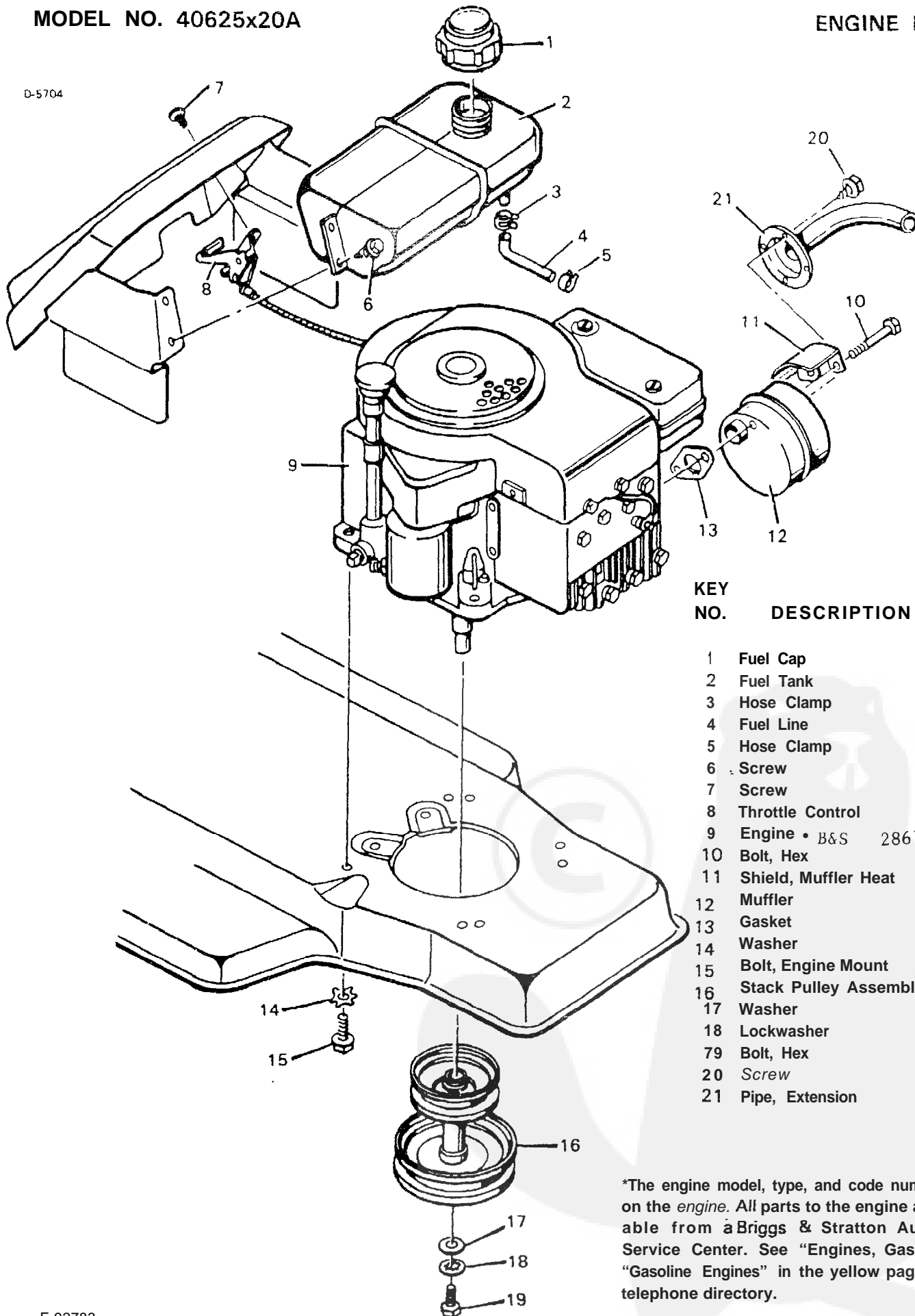


| KEY<br>NO. DESCRIPTION           | PART<br>NO. |
|----------------------------------|-------------|
| 1 Wheel, Steering                | 92078       |
| 2 Nut, Hex                       | 15x90Z      |
| 3 Bolt, Hex                      | 1x66        |
| 4 Steering Post                  | 917142      |
| 5 Bolt, Hex                      | 1x74        |
| 6 Screw                          | 26x249      |
| 7 Bracket, Sector **             | 91716E700   |
| 8 Gear, Pinion                   | 402075      |
| 9 Bearing **                     | 91756       |
| 10 Bolt, Hex • *                 | 1 x84       |
| 11 Locknut, Flange               | 15x87       |
| 13 Gear, Sector                  | 402075      |
| 14 Bracket, Sector **            | 91708E700   |
| 15 Link, Drag                    | 91749E700   |
| 16 Bolt, Hex                     | 1x138       |
| 17 Support, Rear Axle            | 91702E700   |
| 18 Rod, Tie                      | 90038E700   |
| 19 Pin, Cotter                   | 30x49       |
| 20 Bearing                       | 90035       |
| 21 Washer                        | 17x57       |
| 22 Pin, Cotter                   | 30x20       |
| 23 Washer                        | 17x113      |
| 24 Spindle Assembly, Right       | 91828E700   |
| 25 Spindle Assembly, Axle & Left | 92325E700   |
| 26 Support, Front Axle           | 91701E700   |
| 27 Tire *                        | 91912       |
| -- Tube                          | 407047      |
| 28 Stem, Valve                   | 24373       |
| 29 Bearing, Wheel                | 91334       |
| 30 Washer                        | 17x115      |
| 31 Wheel & Tire Assembly         | 91913-601   |
| 32 Bearing **                    | 92097       |
| 33 Locknut, Flange **            | 15x113      |
| 36 Spacer **                     | 92280       |
| 38 Hub Cap (Optional)            | 24582       |

\*When you order a tire, make *sure* to give *the* brand name of the tire so that the tread pattern on the tire will match.

• \* These parts are included with Key No. 8 or 13.

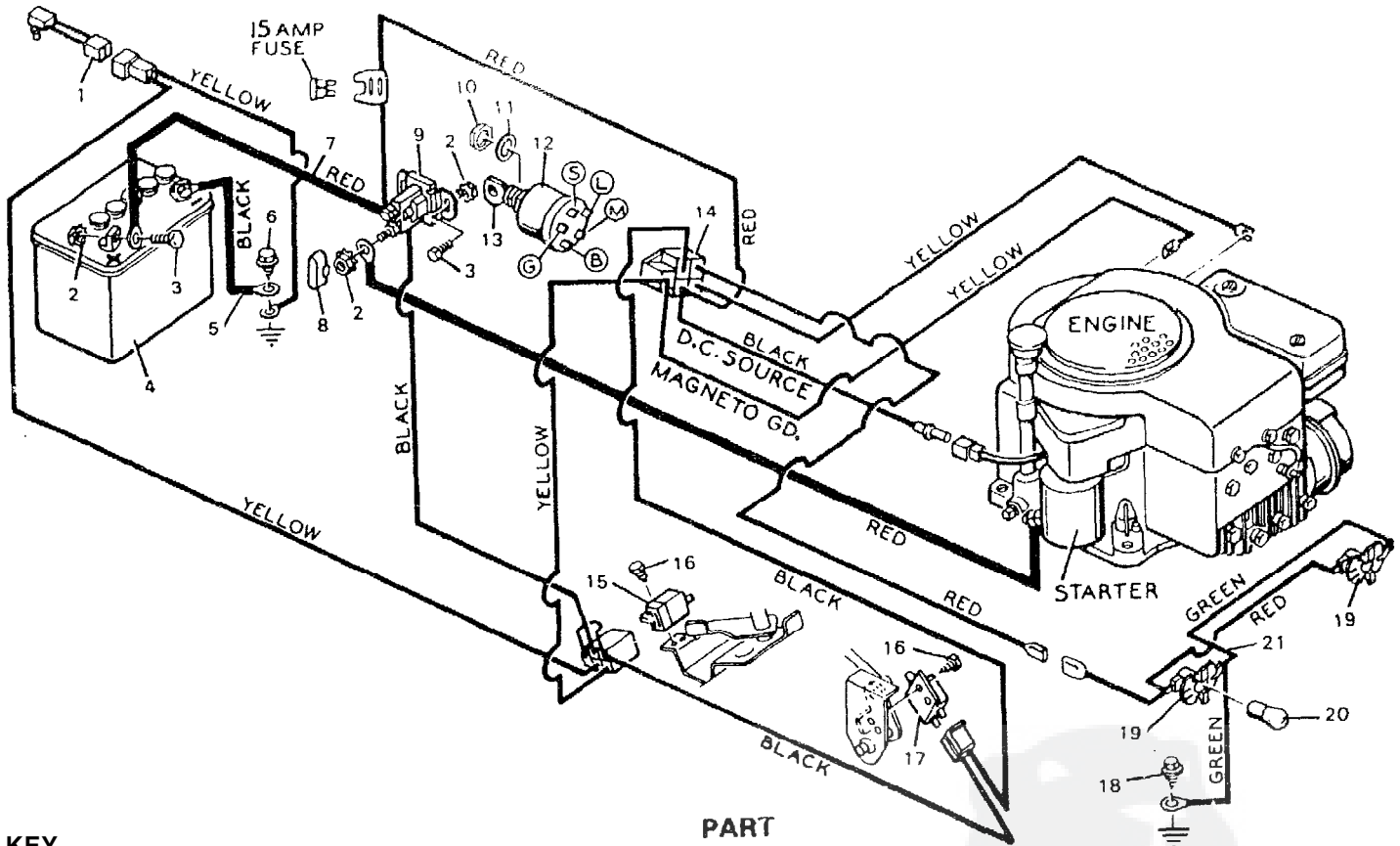
D-5704



| KEY NO. | DESCRIPTION           | PART NO.       |
|---------|-----------------------|----------------|
| 1       | Fuel Cap              | 2371 1         |
| 2       | Fuel Tank             | 91869          |
| 3       | Hose Clamp            | 91174          |
| 4       | Fuel Line             | 9067 1         |
| 5       | Hose Clamp            | 23713          |
| 6       | Screw                 | 26x2 14        |
| 7       | Screw                 | 26x20 1        |
| 8       | Throttle Control      | 91983          |
| 9       | Engine • B&S          | 286707-0115-01 |
| 10      | Bolt, Hex             | 1x134          |
| 11      | Shield, Muffler Heat  | 91277          |
| 12      | Muffler               | 91271          |
| 13      | Gasket                | 91309          |
| 14      | Washer                | 19x8           |
| 15      | Bolt, Engine Mount    | 25x7           |
| 16      | Stack Pulley Assembly | 9 1557         |
| 17      | Washer                | 17x170         |
| 18      | Lockwasher            | 19x35          |
| 19      | Bolt, Hex             | 1x80           |
| 20      | Screw                 | 26x203         |
| 21      | Pipe, Extension       | 23743E700      |

\*The engine model, type, and code numbers are on the engine. All parts to the engine are available from a Briggs & Stratton Authorized Service Center. See "Engines, Gasoline" or "Gasoline Engines" in the yellow pages of the telephone directory.

D-5703-2



**KEY  
NO. DESCRIPTION**

**PART  
NO.**

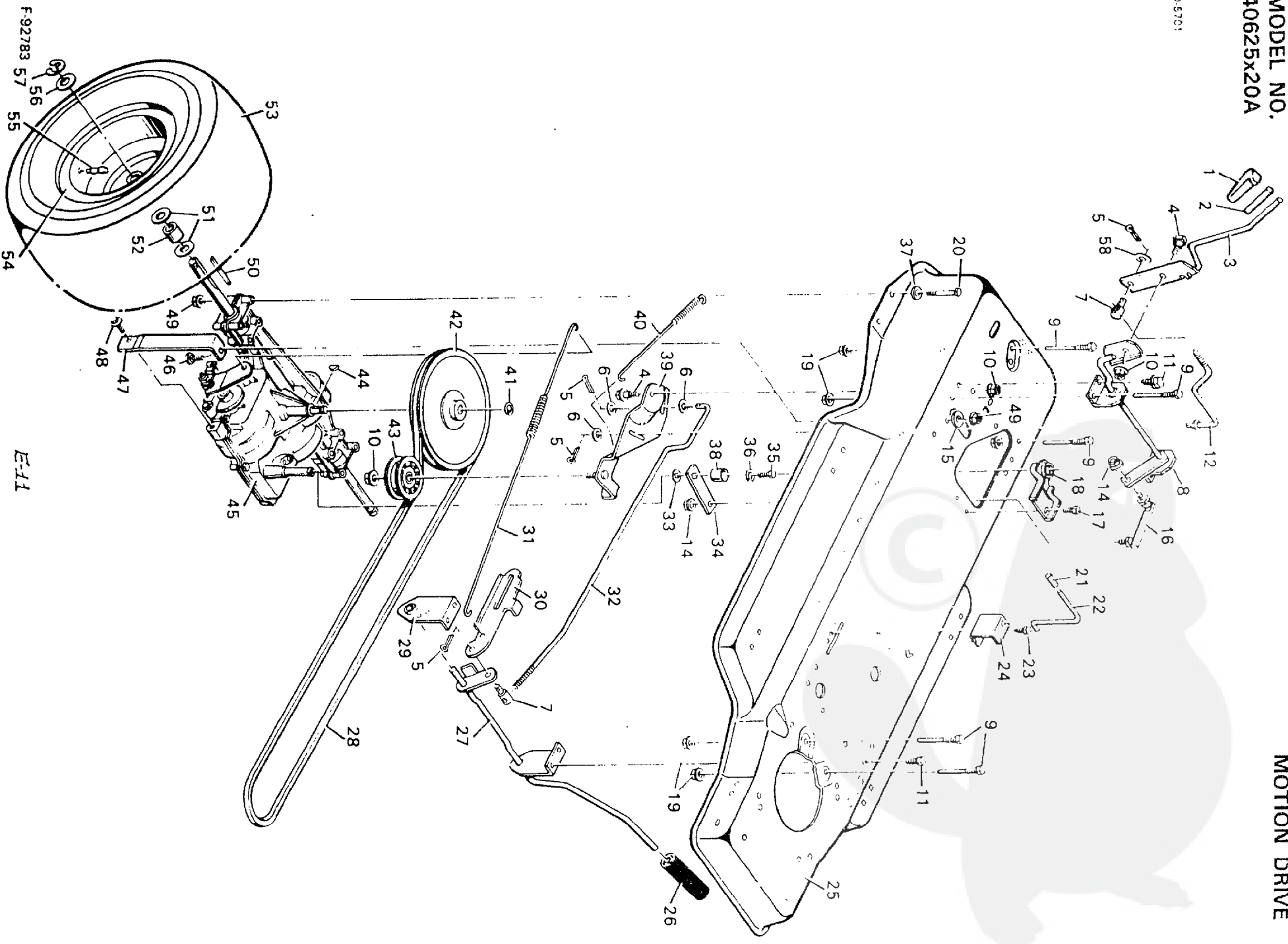
- 1 Switch, Seat Sensor
- 2 Locknut
- 3 Bolt, Hex
- 4 Battery 30 amp
- Acid, Battery (Electrolyte)
- 5 Cable, Battery Ground
- 6 Screw
- 7 Cable, Red Battery
- 8 Cover, Solenoid
- 9 Solenoid
- 10 Nut, Hex
- 11 Washer, Shakeproof
- 12 Switch, Ignition
- 13 Key & Ring, Ignition
- 14 Harness, Chassis Wire
- Fuse, Replacement
- Holder, Fuse Replacement
- 15 Switch, PTO
- 16 Screw
- 17 Switch. Clutch
- 18 Screw
- 19 Socket. Light
- 20 Bulb, tight
- 21 Harness, Light Wire

- 91031
- 15x66
- 1x38Z
- 21075
- 90665
- 24x9
- 26x249
- 24x12
- 56049
- 24285
- 15x105
- 19x40
- 91846
- 20729
- 250x22
- 54212
- 407078
- 91299
- 26x233
- 24273
- 26x2 14
- 91890
- 91954
- 250x23

MODEL NO.  
40625x20A

D-5761

MOTION DRIVE



E-11



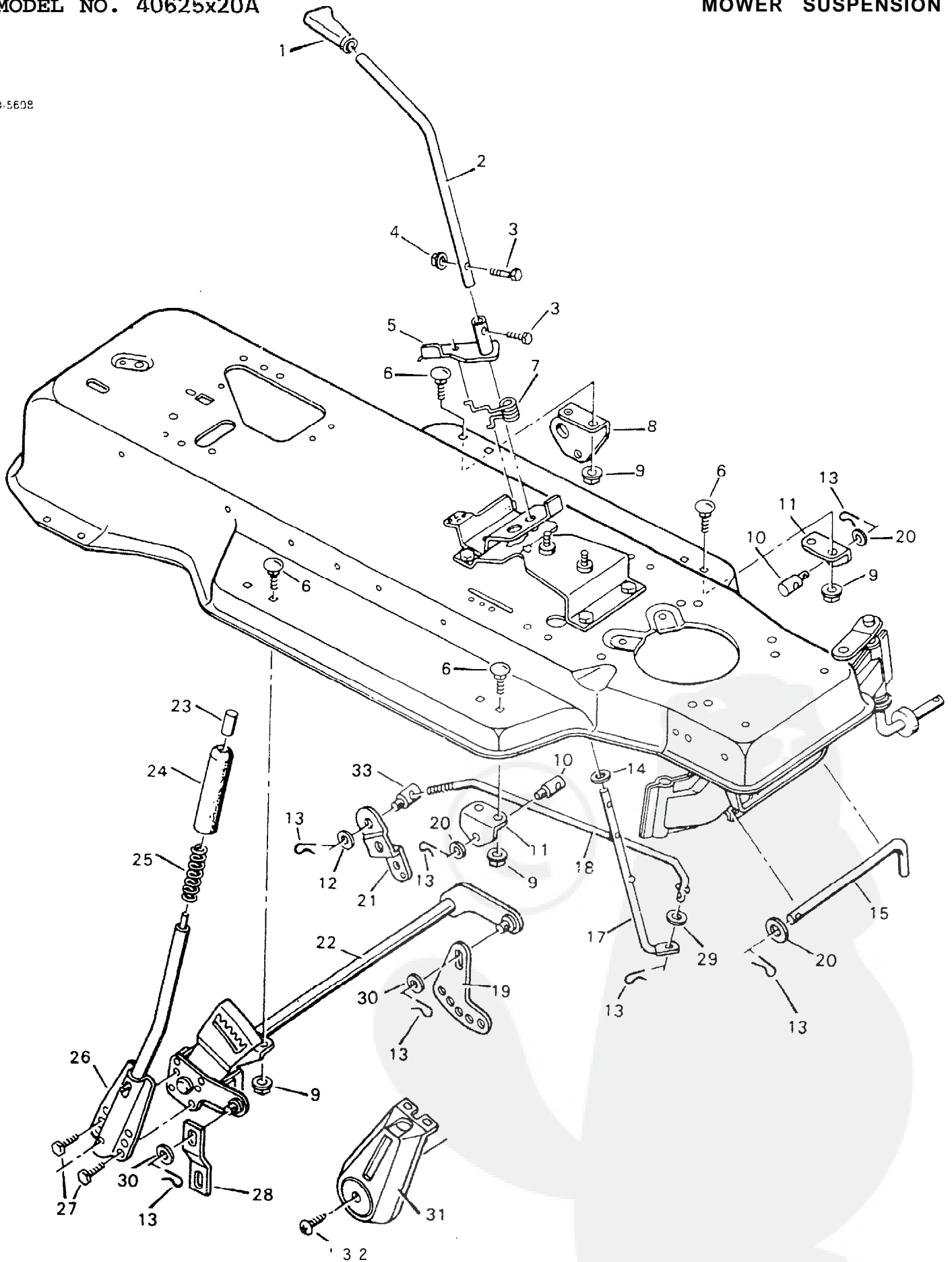
| KEY NO. | DESCRIPTION                        | PART NO.  | KEY NO. | DESCRIPTION                    | PART NO.  |
|---------|------------------------------------|-----------|---------|--------------------------------|-----------|
| 1       | Grip                               | 55449     | 31      | Spring, Brake Extension        | 1 65x73   |
| 2       | Grip, Inner                        | 30476     | 32      | Rod, Clutch                    | 9 18082   |
| 3       | Handle, Shift                      | 92031Z    | 33      | Washer                         | 17x148    |
| 4       | Bolt, Shoulder                     | 9x39      | 34      | Yoke, Shift                    | 920412    |
| 5       | Pin, Cotter                        | 30x20     | 35      | Bolt, Hex                      | 1x82      |
| 5       | Washer, ...                        | 17x47Z    | 36      | Lockwasher                     | 18x32     |
| 7       | Nut, Adjustable                    | 21920-00  | 37      | Washer                         | 17x146Z   |
| 8       | Shifter Assembly                   | 92044E700 | 38      | Pilot, Support                 | 91889     |
| 9       | Guide, Belt                        | 92073     | 39      | Bracket Assembly, Idler        | 920292    |
| 10      | Locknut?, Flange                   | 15x84     | 40      | Spring, Motion Drive Extension | 165x76    |
| 11      | Screw                              | 26x249    | 41      | Ring, Retainer                 | 1 1x7     |
| 12      | Link, Clutch                       | 91877     | 42      | Pulley, Motion Drive           | 91807     |
| 14      | Locknut?, Flange                   | 15x87     | 43      | Pulley, Backside Idler         | 91179     |
| 15      | Washer                             | 17x45     | 44      | Key, Woodruff \$6              | 20697     |
| 16      | Ball Joint & Shifter Link Assembly | 92045     | 45      | Transaxle, Peerless . *        | Y30-011   |
| 17      | Screw                              | 26x249    | 46      | Bolt, Carriage                 | 2x64      |
| 18      | Bracket, Support                   | 91 8992   | 47      | Support, Transaxle             | 91804E700 |
| 19      | Nut, Flange                        | 15x79Z    | 48      | Screw                          | 26x2 16   |
| 20      | Bolt, Hex                          | 1x124     | 49      | Locknut, ... Flange,           | 15x88     |
| 21      | Grip                               | 9'079     | 50      | Key, Square                    | 21553     |
| 22      | Rod, Control                       | 91727E700 | 51      | Washer                         | 17x160    |
| 23      | Screw                              | 26x214    | 52      | Spacer, Transaxle              | 87x1 00Z  |
| 24      | Guide, Bracket                     | 91825E700 | 53      | Tire .                         | 91914     |
| 25      | Frame                              | 91700F200 | --      | Tube                           | 407049    |
| 26      | Clutch and Brake Pedal             | 21544     | 54      | Wheel and Tire Assembly        | 91915-601 |
| 27      | Lever Assembly                     | 91862E700 | 55      | Stem, Valve                    | 24373     |
| 28      | Belt, Motion Drive                 | 37x6 1    | 56      | Washer                         | 17x115    |
| 29      | Bracket, Support                   | 91713E700 | 57      | E-Ring                         | 11x3      |
| 30      | Latch, Park Brake                  | 91712Z    | 58      | Washer                         | 17x53Z    |

\* When you order a tire, make sure to give the brand name of the tire so that the tread pattern on the tire will match.

\*\* Replacement parts for the transaxle are available from a Tecumseh Authorized Service Center. See "Engines, Gasoline" or "Gasoline Engines" listed in the yellow pages of the telephone directory.



D-5608

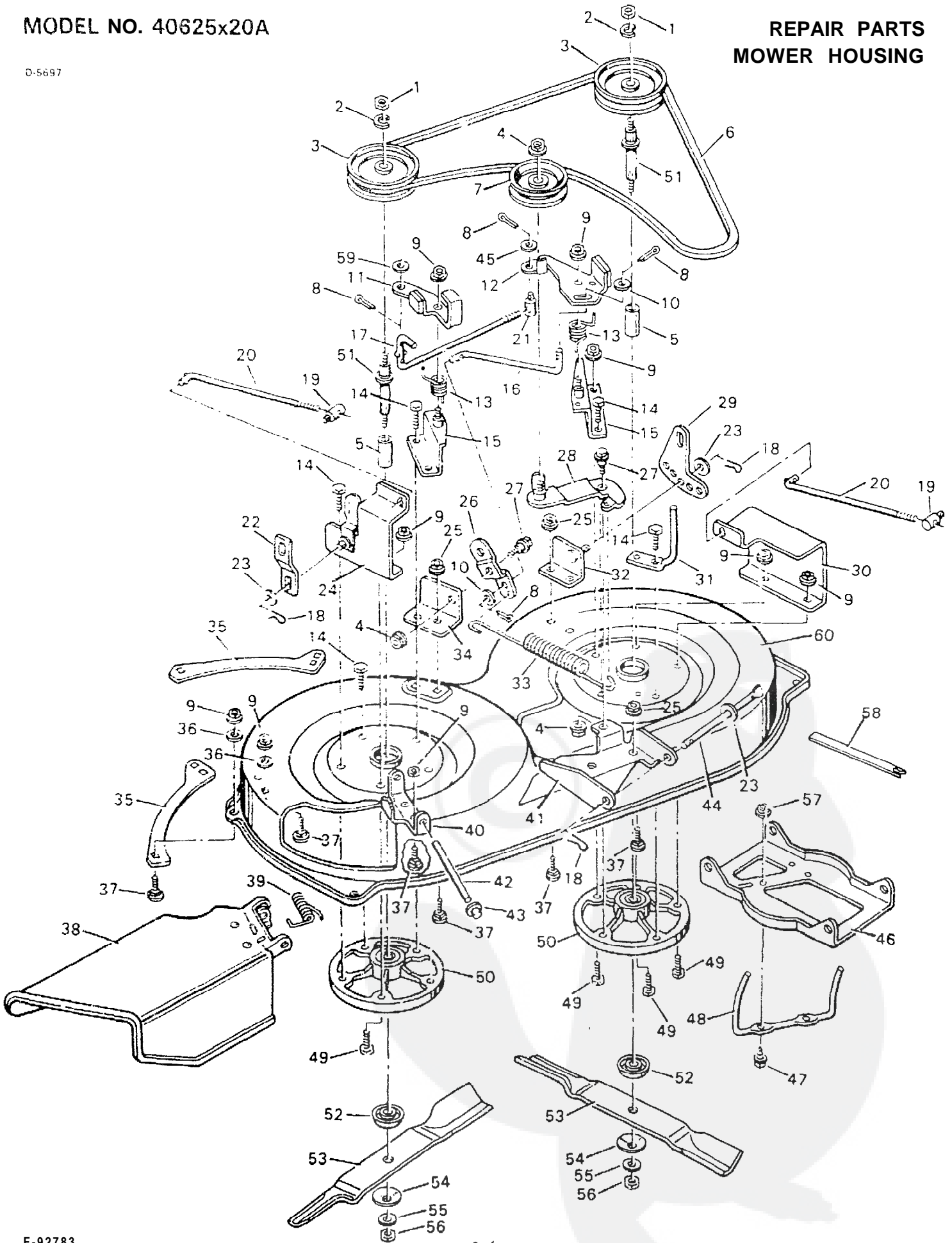


| KEY NO. | DESCRIPTION                | PART NO.  |
|---------|----------------------------|-----------|
| 1       | Grip                       | 55449     |
| 2       | Lever, Blade Control       | 91781Z    |
| 3       | Bolt, Hex                  | 25x3      |
| 4       | Locknut, Hex               | 15x67     |
| 5       | Lever Assembly, Switch     | 91917E700 |
| 6       | Bolt, Carriage             | 2x53      |
| 7       | Spring, Torsion            | 166x32    |
| 8       | Bracket, Left Rear Hanger  | 92066E700 |
| 9       | Nut, Flange                | 15x79     |
| 10      | Nut, Adjuster              | 92131     |
| 11      | Bracket, Adjuster Rod      | 92133E700 |
| 12      | Washer                     | 17x124    |
| 13      | Pin, Hair                  | 31x4      |
| 14      | Washer                     | 17x67     |
| 15      | Pin, Pull                  | 908272    |
| 17      | Lever, Lower Blade Control | 91787E700 |
| 18      | Rod, Blade Control         | 91795Z    |
| 19      | Plate, Adjuster            | 91741E700 |
| 20      | Washer                     | 17x103    |
| 21      | Bracket, Pivot             | 92033E700 |
| 22      | Lifter Assembly            | 92065E700 |
| 23      | Knob, Steel                | 91261     |
| 24      | Grip                       | 91398     |
| 25      | Spring, Compression        | 164x21    |
| 26      | Handle Assembly            | 91823E700 |
| 27      | Screw                      | 26x49     |
| 28      | Link, Suspension           | 92064E700 |
| 29      | Washer                     | 17x46Z    |
| 30      | Washer                     | 17x91Z    |
| 31      | Cover, Optional            | 92157     |
| 32      | Screw                      | 26x238    |
| 33      | Nut, Adjuster              | 21920     |

MODEL NO. 40625x20A

D-5697

REPAIR PARTS  
MOWER HOUSING

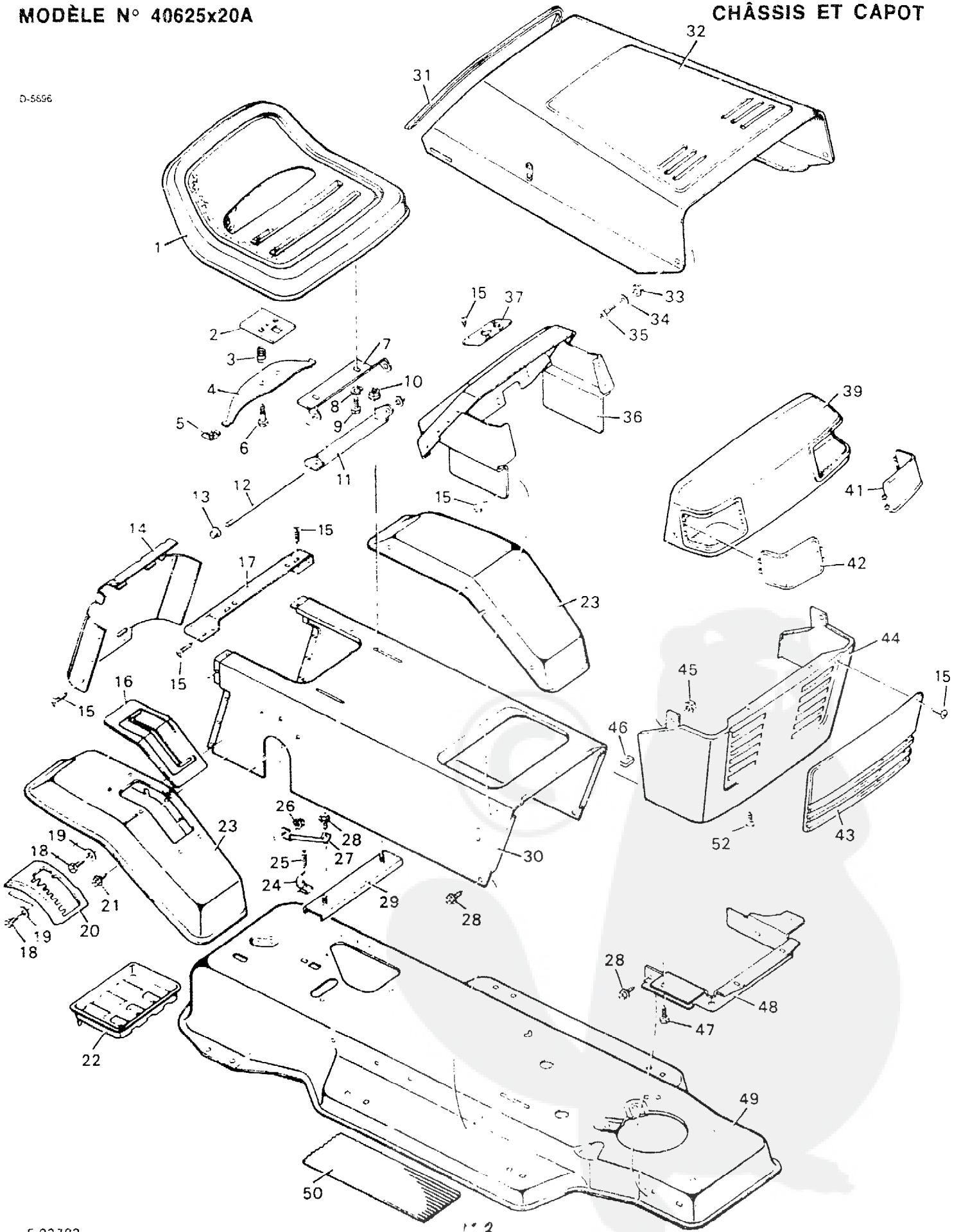


| KEY NO. | DESCRIPTION                   | PART NO.  | KEY NO. | DESCRIPTION                     | PART NO.  |
|---------|-------------------------------|-----------|---------|---------------------------------|-----------|
| 1       | Nut, Hex                      | 15x100    | 31      | Guide, Belt                     | 91797E700 |
| 2       | Lockwasher                    | 18x33     | 32      | Bracket Assembly, Left Lifter   | 91813E700 |
| 3       | Pulley, Jackshaft             | 91943     | 33      | Spring, Extension               | 165x72    |
| 4       | Locknut, Flange               | 15x84     | 34      | Bracket, Pivot                  | 91743E700 |
| 5       | Spacer                        | 91903     | 35      | Plate                           | 91770E700 |
| 6       | Belt, Blade Drive             | 37x62     | 36      | Washer                          | 17x57Z    |
| 7       | Pulley, Idler                 | 91801     | 37      | Bolt, Carriage                  | 2x53      |
| 8       | Pin, Cotter                   | 30x20     | 38      | Deflector Assembly, Chute       | 91982SE   |
| 9       | Locknut, Flange               | 15x88     | 39      | Spring, Torsion                 | 166x4     |
| 10      | Washer                        | 17x46Z    | 40      | Bracket, Hinge                  | 91765E700 |
| 11      | Brake Assembly, Right         | 92186E700 | 41      | Bracket, Front Hanger           | 91875E700 |
| 12      | Brake Assembly, Left          | 92187E700 | 42      | Rod, Deflector                  | 917672    |
| 13      | Spring, Torsion               | 166x27    | 43      | cap, Push On                    | 28x23     |
| 14      | Bolt, Hex                     | 25x6      | 44      | Rod, Hanger                     | 91739Z    |
| 15      | Bracket Assembly, Brake       | 92072E700 | 45      | Washer                          | 17x124    |
| 16      | Rod Brake                     | 91745Z    | 46      | Hanger, Front                   | 92119E700 |
| 17      | Rod, Cross Link               | 921832    | 47      | Screw                           | 25x4      |
| 18      | Pin, Hair                     | 31x4      | 48      | Guide, Belt                     | 92095E700 |
| 19      | Nut, Adjustable               | 92131     | 49      | Bolt, Hex                       | 1x84      |
| 20      | Rod, Adjuster                 | 918722    | 50      | Housing, Mandrel                | 90905     |
| 21      | Nut, Adjustable               | 21920     | 51      | Jackshaft                       | 91922     |
| 22      | Link, Suspension              | 92064E700 | 52      | Adapter, Blade                  | 91926     |
| 23      | Washer                        | 17x103    | 53      | Blade (2 required)              | 92002E701 |
| 24      | Bracket Assembly Right Lifter | 92194E700 | 54      | Washer, Belleville              | 77x166    |
| 25      | Nut, Flange                   | 15x79     | 55      | Washer                          | 17x165    |
| 26      | Bracket, Pivot                | 92033E700 | 56      | Nut, Hex                        | 15x100    |
| 27      | Bolt, Carriage                | 9x39      | 57      | Nut, Hex                        | 15x82     |
| 28      | Arm Assembly, Idler           | 92032E700 | 58      | Indicator, Plastic              | 92163     |
| 29      | Plate, Adjuster               | 91741E700 | I-60    | Complete Mower Housing Assembly | 403229    |
| 30      | Cover, Pulley                 | 91792E700 | 59      | Washer                          | 17x48     |

MODÈLE N° 40625x20A

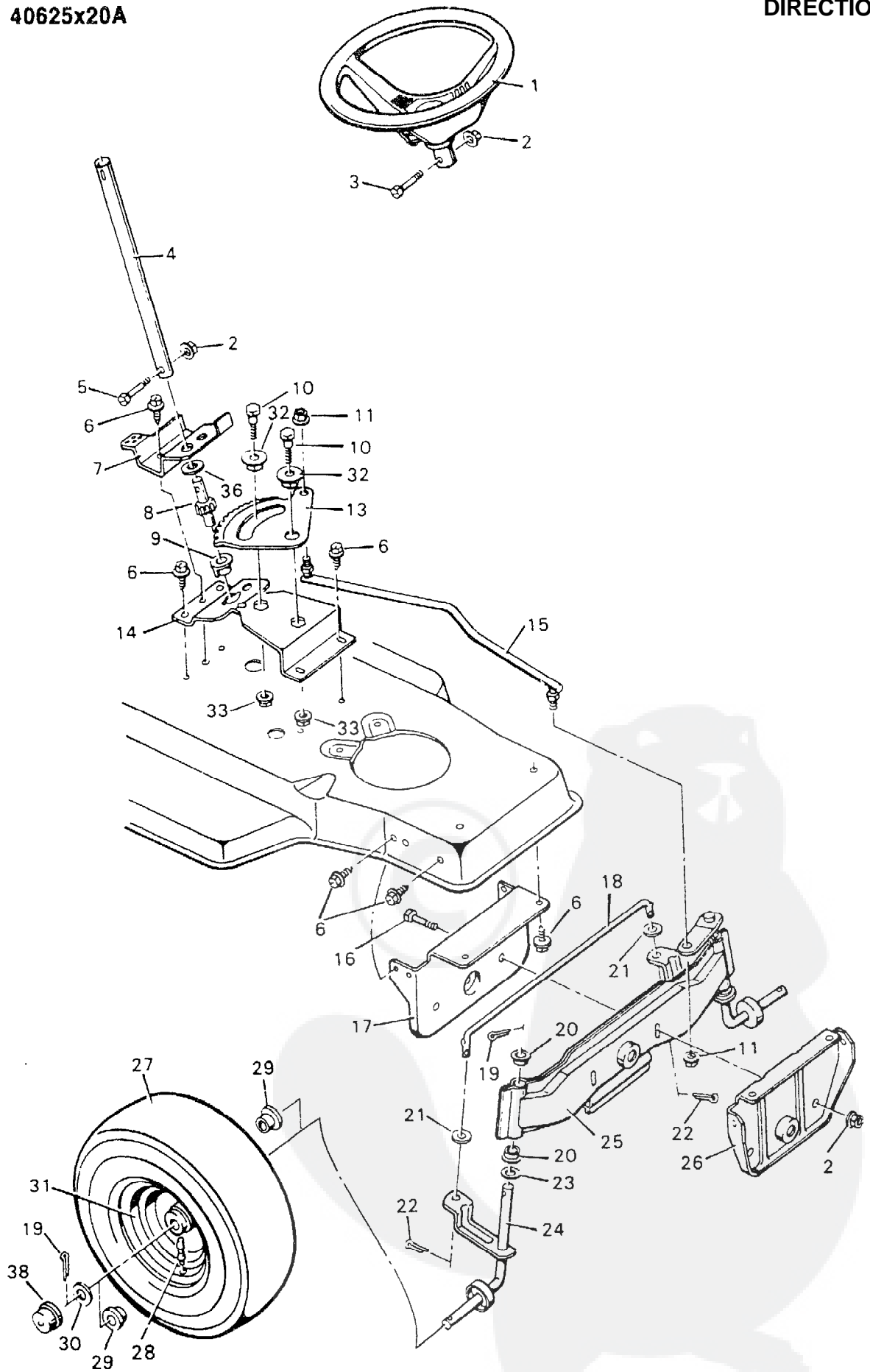
CHÂSSIS ET CAPOT

D-5696



| N° sur le schéma | DESCRIPTION                          | N° de pièce | N° sur le schéma | DESCRIPTION                                     | N° de pièce |
|------------------|--------------------------------------|-------------|------------------|---|-------------|
| 1                | Siege                                | 91965       | 31               | Enjoliveur de rebord                            | 21765       |
| 2                | Plaque de contacteur                 | 91963Z      | 32               | Ensemble de capot                               | 91852F200   |
| 3                | Ressort travaillant à la compression | i 64x26     | 33               | Oeillet   | 91733       |
| 4                | Ressort, Siège                       | 91964       | 34               | Rondelle caoutchouc                             | 91751       |
| 5                | Capuchon de ressort                  | 91822       | 35               | Bouion a collerette                             | 9x36        |
| 6                | Boulon à collerette                  | 9x38        | 36               | Ensembie de tableau de bord                     | 91858F200   |
| 7                | Support de siège                     | 91728E700   | 37               | Palier  | 91759       |
| 8                | Rondelle de blocage                  | 18x16       | 39               | Calandre, supérieur (sans Lentille)             | 91726       |
| 9                | Boulon hexagonal                     | 1x45        | --               | Ensemble de calandre, supérieur (avec Lentille) | 91736       |
| 10               | Ecrou de blocage à rebord            | 15x88       | 41               | Lentille, gauche                                | 91735       |
| 11               | Support de pivot                     | 91729E700   | 42               | Len, droi?e                                     | 91734       |
| 12               | Tige de pivotage                     | 91730E700   | 43               | Panneau, Calandre                               | 91800       |
| 13               | Capuchon a pression                  | 28x23       | 44               | Calandre. Intérieur                             | 91722F200   |
| 14               | Capuchon de console                  | 91704F200   | 45               | Écrou de blocage à rebord                       | 15x84       |
| 15               | Vis à tête                           | 26x250      | 46               | Ecrou en U                                      | 28x57       |
| 16               | Couvre de changement de vitesses     | 91905       | 47               | Vis   | 26x252      |
| 17               | Jupe d'aile                          | 91724F200   | 48               | Support de calandre                             | 91723F200   |
| 18               | Boulon hexagonal                     | 1x38        | 49               | Chassis   | 91700F200   |
| 19               | Rondelle                             | 17x382      | 50               | Tapis   | 91900       |
| 20               | Cadre, changements de vitesses       | 91892Z      | 51               | Aile, droite                                    | 91894F200   |
| 21               | Vis                                  | 26x263      | 52               | Attache: Plastique                              | 193x1       |
| 22               | Plateau. Batterie                    | 91895       | --               | Notice d'emploi et d'entretien                  | F-92782     |
| 23               | Aile, gauche                         | 91715F200   | --               | List de pièces détachées                        | F-92783     |
| 24               | Bride de batterie                    | 91941       | --               | Decalque de capot gauche                        | 44x1261     |
| 25               | Vis                                  | 26x184      | --               | Decalque de capot droite                        | 44x1262     |
| 26               | Ecrou de blocage                     | 15x66       | --               | Décalque de calandre                            | 44x946      |
| 27               | Entretoise de console                | 91910F200   | --               | Decalque. haute Console                         | 44x1947     |
| 28               | Vis                                  | 26x249      | --               | Decalque: arriere Console                       | 44x2202     |
| 29               | Ensemble de fer en U                 | 91857E700   | --               | Decalque, droite Console                        | 44x760      |
| 30               | Console                              | 91731F200   | --               | Décalque, droite Aile                           | 44x119      |

D-5699-1





| N° sur le schéma | DESCRIPTION                        | N° de pièce |
|------------------|------------------------------------|-------------|
| 1                | Volant                             | 92078       |
| 2                | Écrou hexagonal                    | 15x90Z      |
| 3                | Boulon hexagonal                   | 1x66        |
| 4                | Arbre de direction                 | 917142      |
| 5                | Boulon hexagonal                   | 1x74        |
| 6                | Vis                                | 26x249      |
| 7                | Support de secteur **              | 91716E700   |
| 8                | Engrenage à pignon                 | 402075      |
| 9                | Palier **                          | 91756       |
| 10               | Boulon hexagonal **                | 1x84        |
| 11               | Écrou de blocage à rebord          | 15x87       |
| 13               | Engrenage de secteur               | 402075      |
| 14               | Support de secteur **              | 91708E700   |
| 15               | Biellette de direction             | 91749E700   |
| 16               | Boulon hexagonal                   | 1x138       |
| 17               | Support, Essieu AR                 | 91702E700   |
| 18               | Biellette de direction             | 90038E700   |
| 19               | Goupille                           | 30x49       |
| 20               | Palier                             | 90035       |
| 21               | Rondelle                           | 17x57       |
| 22               | Goupille                           | 30x20       |
| 23               | Rondelle                           | 17x113      |
| 24               | Ensemble de fusée, droite          | 91828E700   |
| 25               | Ensemble de essieu et fusée gauche | 92325E700   |
| 26               | Support d'essieu AV                | 91701 E700  |
| 27               | Pneu *                             | 91912       |
| --               | Tube                               | 407047      |
| 28               | Valve et bouchon                   | 24373       |
| 29               | Palier, Roue                       | 91334       |
| 30               | Rondelle                           | 17x115      |
| 31               | Ensemble de roue et pneu           | 91913-601   |
| 32               | Palier . +                         | 92097       |
| 33               | Écrou de blocage à rebord **       | 15x113      |
| 36               | Entretoise . *                     | 92280       |
| 38               | Enjoliveur de roue (en option)     | 24582       |

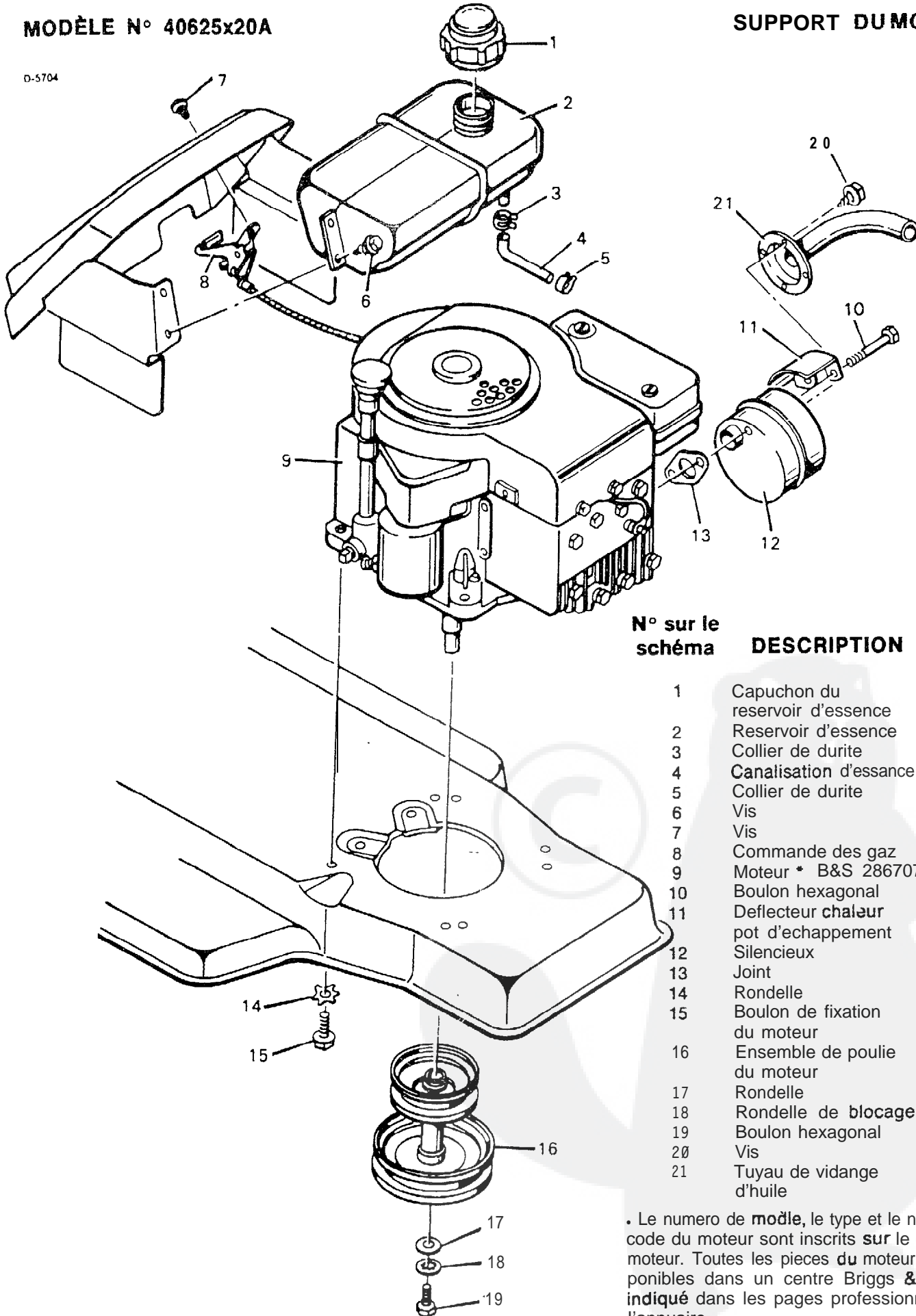
\*En commandant ces pièces, veuillez indiquer la marque du pneu pour s'assurer de sculptures identiques.

\*\* Ces pièces sont comprises avec la pièce N° 8 et 13 sur le schéma.

# MODÈLE N° 40625x20A

D-5704

## SUPPORT DU MOTEUR



N° sur le schéma

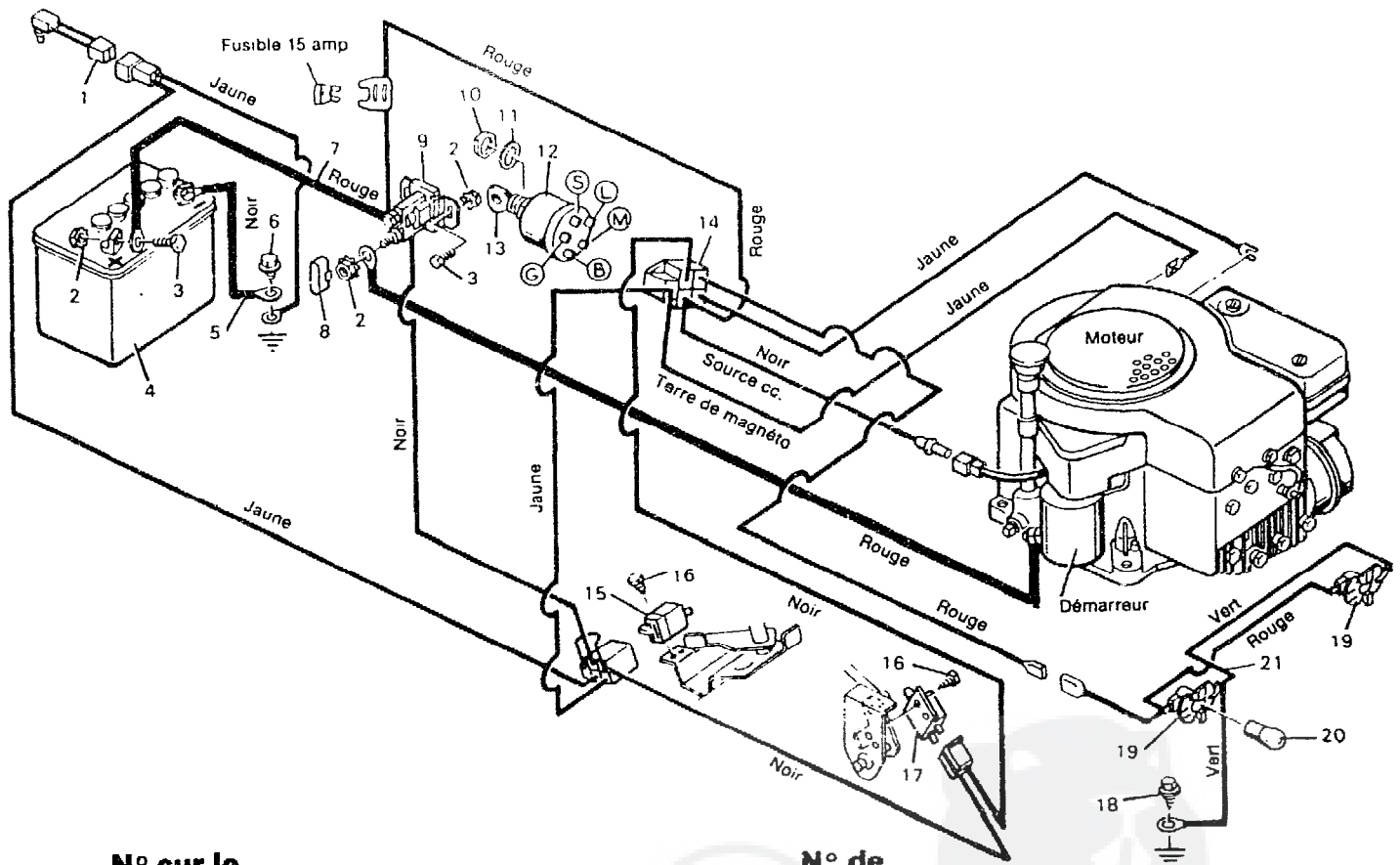
DESCRIPTION

N° de pièce

|    |                                      |           |
|----|--------------------------------------|-----------|
| 1  | Capuchon du réservoir d'essence      | 23711     |
| 2  | Réservoir d'essence                  | 91869     |
| 3  | Collier de durite                    | 91174     |
| 4  | Canalisation d'essence               | 90671     |
| 5  | Collier de durite                    | 23713     |
| 6  | Vis                                  | 26x214    |
| 7  | Vis                                  | 26x201    |
| 8  | Commande des gaz                     | 91983     |
| 9  | Moteur * B&S 286707-O I 15-O I       |           |
| 10 | Boulon hexagonal                     | 1x134     |
| 11 | Deflecteur chaleur pot d'échappement | 91277     |
| 12 | Silencieux                           | 91271     |
| 13 | Joint                                | 91309     |
| 14 | Rondelle                             | 19x8      |
| 15 | Boulon de fixation du moteur         | 25x7      |
| 16 | Ensemble de poulie du moteur         | 915.57    |
| 17 | Rondelle                             | 17x170    |
| 18 | Rondelle de blocage                  | 19x35     |
| 19 | Boulon hexagonal                     | 1x80      |
| 20 | Vis                                  | 26x203    |
| 21 | Tuyau de vidange d'huile             | 23743E700 |

\* Le numero de modèle, le type et le numero de code du moteur sont inscrits sur le carter du moteur. Toutes les pieces du moteur sont disponibles dans un centre Briggs & Stratton indiqué dans les pages professionnelles de l'annuaire.

D-5703-2



N° sur le schéma

DESCRIPTION

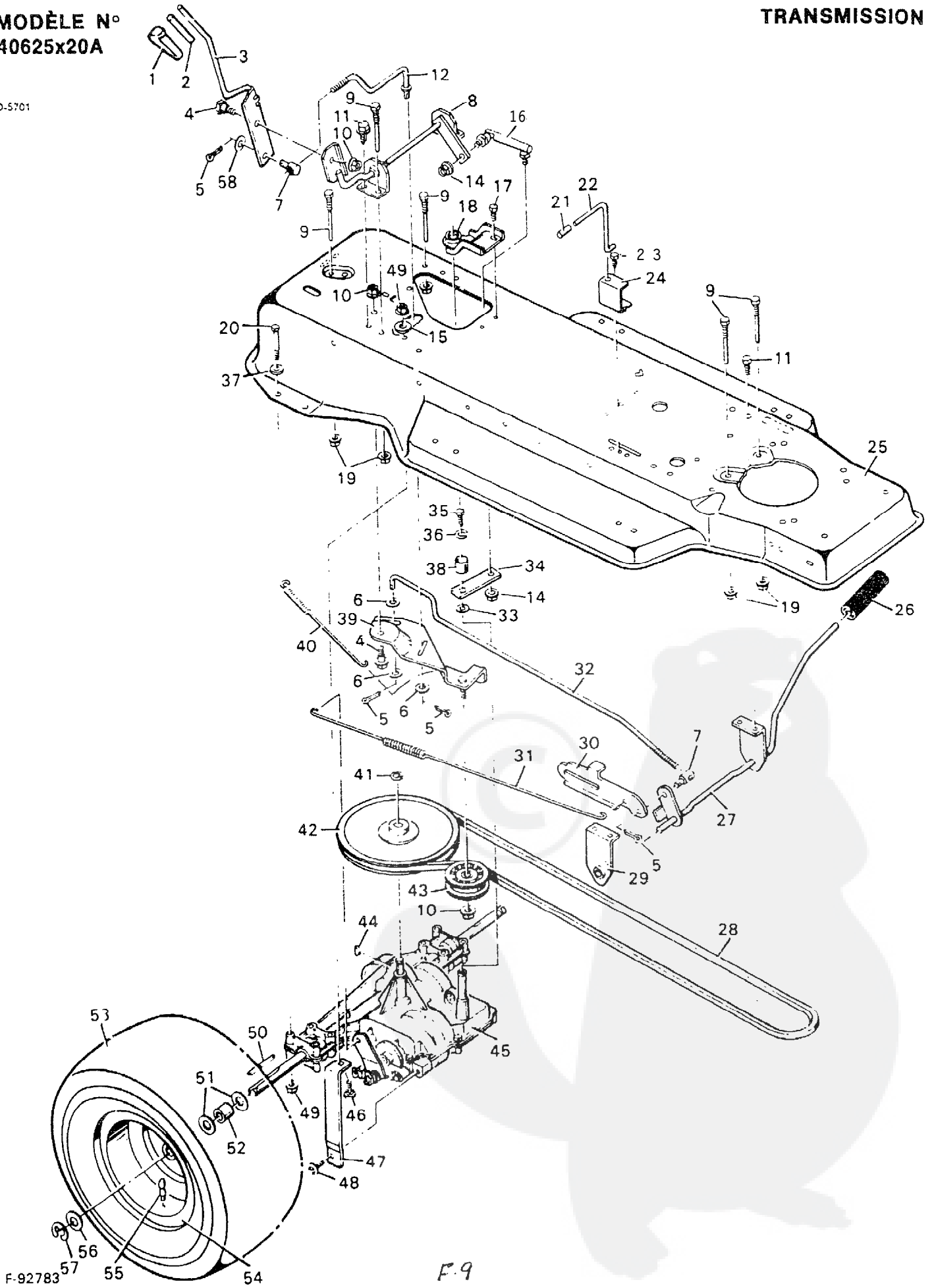
N° de pièce

|    |                                 |        |
|----|---------------------------------|--------|
| 1  | Decteur de presence             | 91031  |
| 2  | Écrou de blocage                | 15x66  |
| 3  | Boulon hexagonal                | 1 x38Z |
| 4  | Batterie 30 amperes             | 21075  |
| -- | Acide de batterie (Electrolyte) | 90665  |
| 5  | Cable de batterie, terre        | 24x9   |
| 6  | Vis                             | 26x249 |
| 7  | Cable, rouge Batterie           | 24x12  |
| 8  | Couvre-solenoïde                | 56949  |
| 9  | Solenoïde                       | 24285  |
| 10 | Écrou hexagonal                 | 15x105 |
| 11 | Rondelle indesserrable          | 19x40  |
| 12 | Contacteur d'allumage           | 91846  |
| 13 | Clé d'allumage et anneau        | 20729  |
| 14 | Falsceau de câblages            | 250x22 |
| -- | Fusible, rechange               | 54212  |
| -- | Boîte de fusibles de rechange   | 407078 |
| 15 | Interrupteur prise de force     | 91299  |
| 16 | Vis                             | 26x233 |
| 17 | Contacteur, Embrayage           | 24273  |
| 18 | vis                             | 26x214 |
| 19 | Douille de lampe                | 91890  |
| 20 | Lampe de phare                  | 91954  |
| 21 | Falsceau de cables de phare     | 250x23 |

MODÈLE N°  
40625x20A

TRANSMISSION

D-5701



F-92783

F.9

| N° sur le schéma | DESCRIPTION                                  | N° de pièce | N° sur le schéma | DESCRIPTION                    | N° de pièce |
|------------------|--|-------------|------------------|--------------------------------|-------------|
| 1                | Poignee                                      | 55449       | 30               | Fermeture du frein             | 917122      |
| 2                | Poignee à intérieure                         | 20476       | 31               | Ressort frein                  | 165x73      |
| 3                | Levier de changements de vitesses            | 920312      | 32               | Tige d'embrayage               | 918082      |
| 4                | Boulon à collerette                          | 9x39        | 33               | Rondelle                       | 17x148      |
| 5                | Goupille                                     | 30x20       | 34               | Chape, changement de vitesses  | 920412      |
| 6                | Rondelle                                     | 17x472      | 35               | Boulon hexagonal               | 1x82        |
| 7                | Ecrou de réglage                             | 21920       | 36               | Rondelle de blocage            | 18x32       |
| 8                | Ensemble de levier de changement de vitesses | 92044E700   | 37               | Rondelle                       | 17x146Z     |
| 9                | Guide-courroie                               | 92073       | 38               | Entretoise                     | 91889       |
| 10               | Ecrou de blocage a rebord                    | 15x84       | 39               | Ensemble de support de tendeur | 920292      |
| 11               | Vis  | 26x249      | 40               | Ressort de rallonge            | 165x76      |
| 12               | Liaison, Embrayage                           | 91877       | 41               | Jonc d'arrêt                   | 11x7        |
| 14               | Ecrou de blocage à rebord                    | 15x87       | 42               | Poulie de transmission         | 91807       |
| 15               | Roncielle                                    | 17x45       | 43               | Poulie de tendeur              | 91179       |
| 16               | Rotule et tringle de commande des vitesses   | 92045       | 44               | Clé Woodruff                   | 20697       |
| 17               | Vis  | 26x249      | 45               | Boîte-pont, Peerless . *       | 930-011     |
| 18               | support                                      | 918992      | 46               | Boulon de chassis              | 2x64        |
| 19               | Ecrou à rebord                               | 15x79Z      | 47               | Support de boîte-pont          | 91804E700   |
| 20               | Boulon hexagonal                             | 1x124       | 48               | Vis                            | 26x216      |
| 21               | Poignée                                      | 91079       | 49               | Ecrou de blocage à rebord      | 15x88       |
| 22               | Tige de commande                             | 91727E700   | 50               | Clé carrée                     | 21553       |
| 23               | vis  | 26x214      | 51               | Rondelle                       | 17x160      |
| 24               | Guide-support                                | 91825E700   | 52               | Entretoise, Boite-pont         | 87x100Z     |
| 25               | Chassis                                      | 91700F200   | 53               | Pneu *                         | 91914       |
| 26               | Pédale embrayage/frein                       | 21544       | —                | Tube                           | 407049      |
| 27               | Ensemble de levier                           | 91862E700   | 54               | Ensemble de roue et pneu       | 91915-601   |
| 28               | Courroie de transmission                     | 37x61       | 55               | Valve e! bouchon               | 24373       |
| 29               | support                                      | 91713E700   | 56               | Rondelle                       | 17x115      |
|                  |  |             | 57               | Bague en E                     | 11x3        |
|                  |  |             | 58               | Rondelle                       | 17x53Z      |

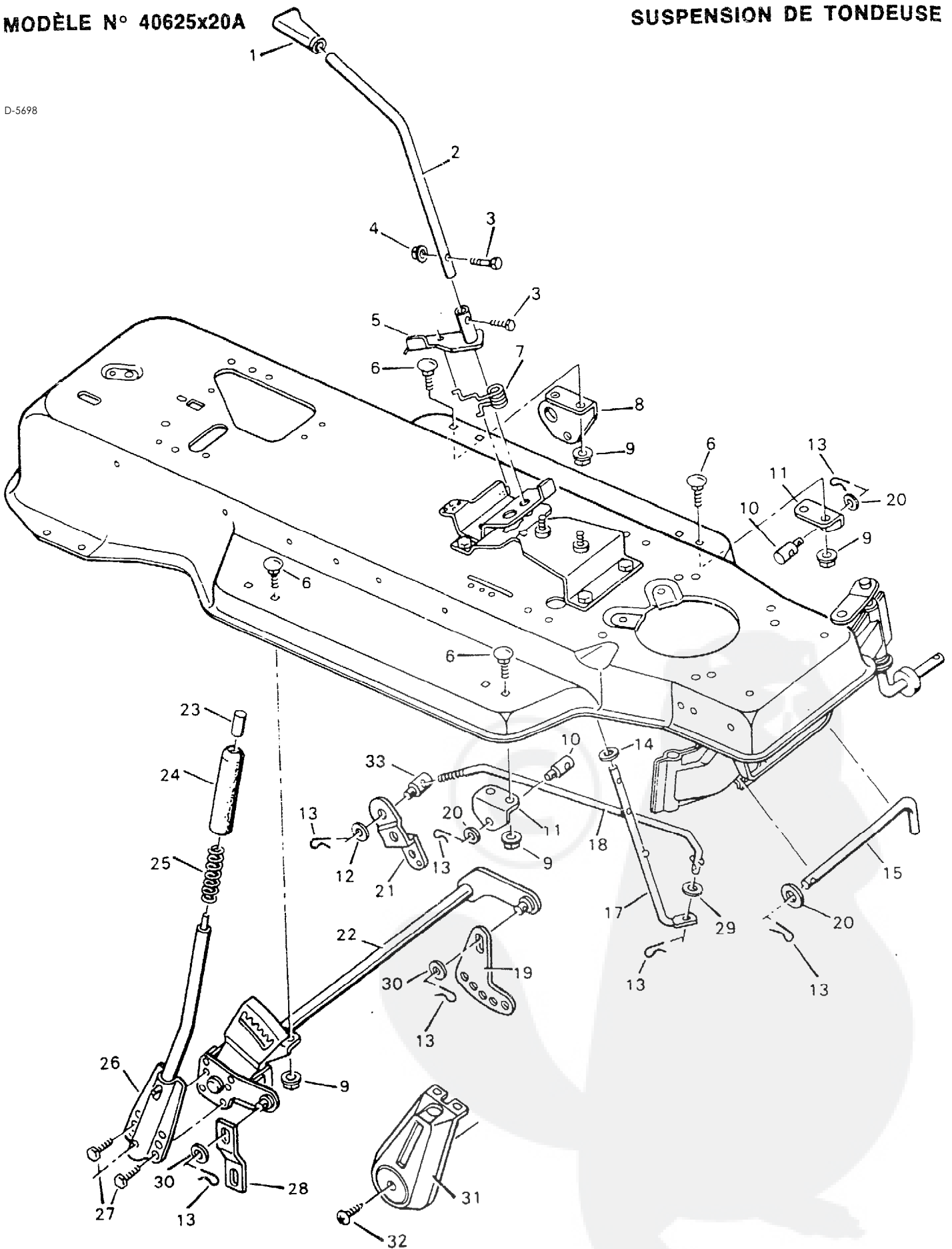
\* En commandant ces pieces, veuillez indiquer la marque du pneu pour s'assurer de sculptures identiques.

\*\* Ces pieces de rechange pour la boite de vitesse sont disponibles chez un concessionnaire Tecumseh. Voir les pages professionnelles de l'annuaire sous la rubrique **Moteurs à essence**.

MODÈLE N° 40625x20A

SUSPENSION DE TONDEUSE

D-5698



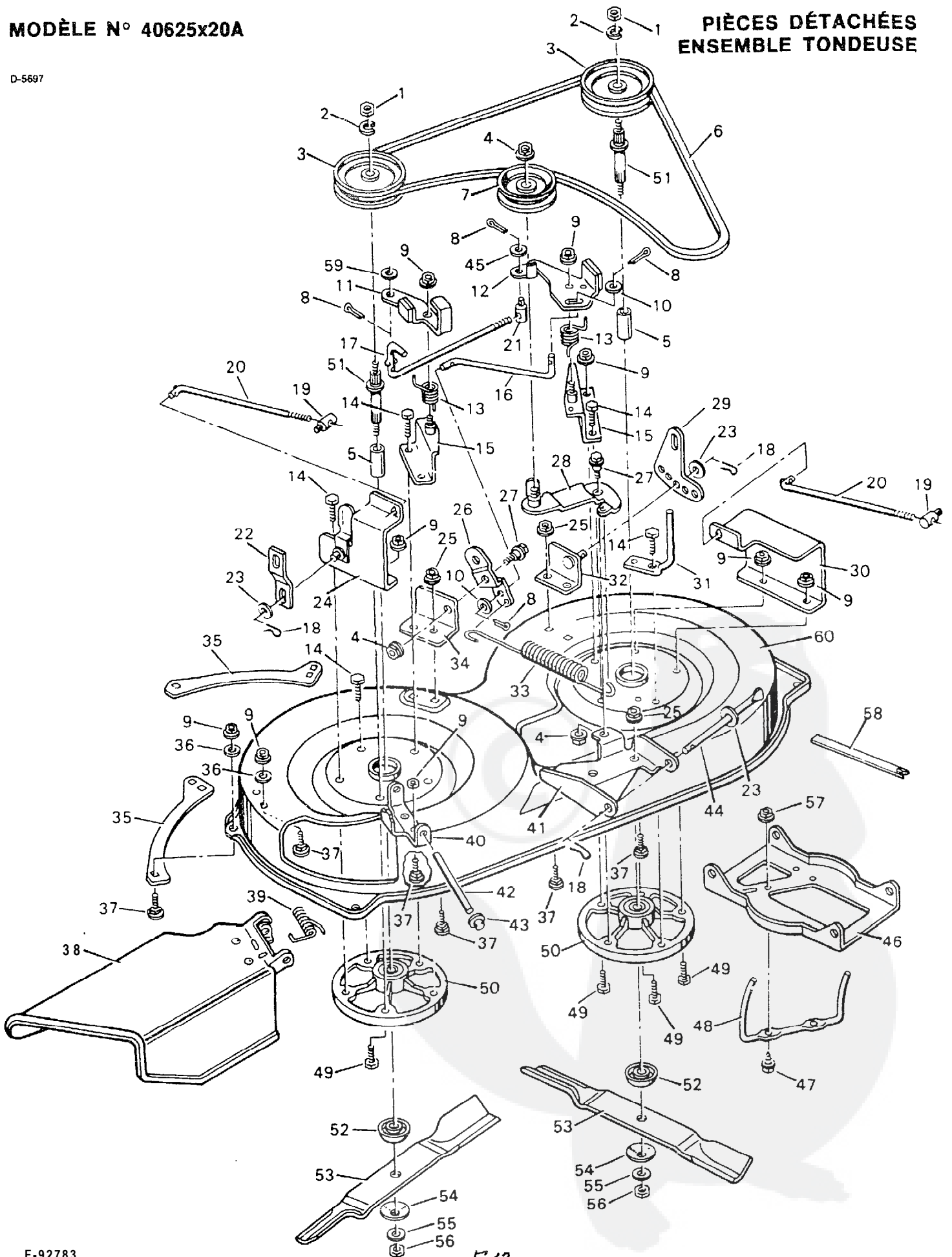
| N° sur le schéma | DESCRIPTION                              | N° de pièce |
|------------------|--|-------------|
| 1                | Poignee                                  | 55449       |
| 2                | Levier de commande de la lame            | 91781Z      |
| 3                | Boulon hexagonal                         | 25x3        |
| 4                | Écrou de biocage hexagonal               | 15x67       |
| 5                | Ensemble de levier, Contacteur           | 91917E700   |
| 6                | Boulon de châssis                        | 2x53        |
| 7                | Ressort à torsion                        | 166x32      |
| a                | Support de suspension AR, gauche         | 92066E700   |
| 9                | Écrou à rebord                           | 15x79       |
| 10               | Écrou de réglage                         | 92131       |
| 11               | Support, Tige de réglage                 | 92133E700   |
| 12               | Rondelle                                 | 17x124      |
| 13               | Goupille                                 | 31x4        |
| 14               | Rondelle                                 | 17x67       |
| 15               | Axe                                      | 908272      |
| 17               | Levier de commande de la lame inférieure | 91787E700   |
| 18               | Tige, commande de lame                   | 917952      |
| 19               | Plaque de réglage                        | 91741E700   |
| 20               | Rondelle                                 | 17x103      |
| 21               | Support de pivot                         | 92033E700   |
| 22               | Ensemble de levee                        | 92065E700   |
| 23               | Bouton                                   | 91261       |
| 24               | Poignee                                  | 91398       |
| 25               | Ressort travaillant à la compression     | 164x21      |
| 26               | Ensemble de poignee                      | 91823E700   |
| 27               | Vis                                      | 26x49       |
| 28               | Liaison de suspension                    | 92064E700   |
| 29               | Rondelle                                 | 17x46Z      |
| 30               | Rondelle                                 | 17x91Z      |
| 31               | Covercle en option                       | 92157       |
| 32               | Vis                                      | 26x238      |
| 33               | Écrou de réglage                         | 21920       |



MODÈLE N° 40625x20A

D-5697

PIÈCES DÉTACHÉES  
ENSEMBLE TONDEUSE



| N° sur le schéma | DESCRIPTION                         | N° de pièce | N° sur le schéma | DESCRIPTION                         | N° de pièce |
|------------------|-------------------------------------|-------------|------------------|-------------------------------------|-------------|
| 1                | Écrou hexagonal                     | 15x100      | 31               | Guide-courroie                      | 91797E700   |
| 2                | Rondelle de blocage                 | 18x33       | 32               | Ensemble de support de levée gauche | 91813E700   |
| 3                | Poulie, Arbre de renvoi             | 91943       |                  |                                     |             |
| 4                | Écrou de blocage à rebord           | 15x84       | 33               | Ressort de rallonge                 | 165x72      |
| 5                | Entretoise                          | 91903       | 34               | Support de pivot                    | 91743E700   |
| 6                | Courroie de transmission de la lame | 37x62       | 3 5              | Plaque                              | 91770E700   |
|                  |                                     |             | 36               | Rondelle                            | 17x572      |
| 7                | Poulie de tendeur                   | 94801       | 37               | Boulon de châssis                   | 2x53        |
| 8                | Goupille                            | 30x20       | 38               | Défecteur de glissière              | 91982SE     |
| 9                | Écrou de blocage à rebord           | 15x88       | 39               | Ressort à torsion                   | 166x4       |
| 10               | Rondelle                            | 17x462      | 40               | Support, Charnière                  | 91765E700   |
| 11               | Ensemble de frein, droite           | 92186E700   | 41               | Ensemble de suspension AV           | 91875E700   |
| 12               | Ensemble de frein, gauche           | 92187E700   | 42               | Tige du déflecteur                  | 917672      |
| 13               | Ressort à torsion                   | 166x27      | 43               | Capuchon à pression                 | 28x23       |
| 14               | Boulon hexagonal                    | 25x6        | 44               | Tige de suspension                  | 917392      |
| 15               | Support de réglage de frein         | 92072E700   | 45               | Rondelle                            | 17x124      |
| 16               | Tige de frein                       | 91 7452     | 46               | Suspension AVANT                    | 92119E700   |
| 17               | Tige de liaison                     | 921832      | 47               | Vis                                 | 25x4        |
| 18               | Goupille                            | 31x4        | 48               | Guide-courroie                      | 92095E700   |
| 19               | Écrou de réglage                    | 92131       | 49               | Boulon hexagonal                    | 1x84        |
| 20               | Tige de réglage                     | 918722      | 50               | Carter de mandrin                   | 90905       |
| 21               | Écrou de réglage                    | 21920       | 51               | Arbre de renvoi                     | 91922       |
| 22               | Liaison de suspension               | 92064E700   | 52               | Adaptateur de lame                  | 91926       |
| 23               | Rondelle                            | 17x103      | 53               | Lame (2 obligatoire)                | 92002E701   |
| 24               | Ensemble de support de levée droite | 92194E700   | 54               | Rondelle, Belleville                | 17x166      |
|                  |                                     |             | 55               | Rondelle                            | 17x165      |
| 25               | Écrou à rebord                      | 15x79       | 56               | Écrou hexagonal                     | 15x100      |
| 26               | Support de pivot                    | 92033E700   | 57               | Écrou hexagonal                     | 15x82       |
| 27               | Boulon de châssis                   | 9x39        | 58               | Indicateur, Plastique               | 92163       |
| 28               | Ensemble de bras de tendeur         | 92032E700   | l-60             | Ensemble de carter de lame complet  | 403229      |
| 29               | Plaque de réglage                   | 91741 E700  |                  |                                     |             |
| 30               | Couvercie poulie                    | 91792E700   | 59               | Rondelle                            | 17x48       |